

HDMI SPLITTER USER MANUAL

MODELS 177146
& 177153



Shown: 8-Port Model 177153



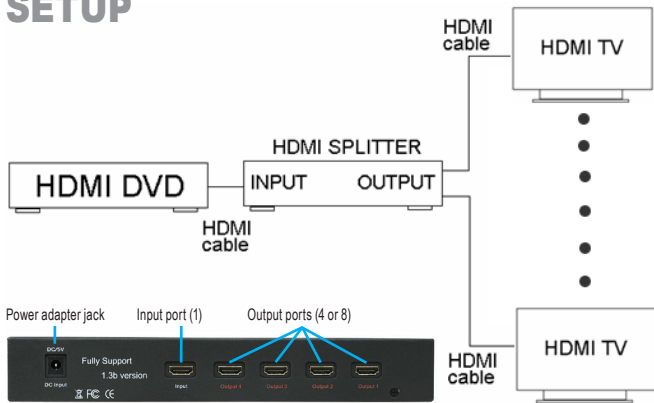
MAN-177146/177153-UM-0808-01

Thank you for purchasing the MANHATTAN® HDMI Splitter, Model 177146 (4-port) or 177153 (8-Port).

Follow the simple steps below and you'll soon be enjoying the benefits of these High Definition Multimedia Interface features:

- Duplicates a high-definition digital audio/video signal for up to four (Model 177146) or eight (Model 177153) HDMI outputs
- Delivers a sharp, clear signal from DVD and Blu-ray players, set-top box, satellite receiver and other sources
- Fully HDCP compliant to protect high-definition content transmissions and ensure quality reception
- Cascade up to three levels to expand signal distribution to more displays
- Easy to install — requires no configuration
- Lifetime Warranty

SETUP



1. Plug your HDMI input source and output devices into the corresponding ports on the rear panel of the HDMI Splitter (HDMI cables not included).
2. Connect the included power adapter to the DC Input jack on the rear panel of the splitter, then plug the power adapter into an AC outlet.
3. Turn the power on. (The power switch is on the front panel.)

NOTE: Ideally, both input and output cables should be no longer than 15 m (50 ft.). If a connected device doesn't function properly, confirm that it's HDCP (High-bandwidth Digital Content Protection)-compliant, as a device that isn't HDCP-compliant won't work with a signal that has HDCP encoding.

SPECIFICATIONS

Standards and Certifications

- HDMI 1.3b, HDCP1.0/1.1/1.2, DVI 1.0, CE, FCC, UL

General

- Computer-to-video splitter range: up to 15 m (49 ft.)
- Video splitter-to-monitor range: up to 15 m (49 ft.)
- Power: 5 V DC / 2.5 A; cable with ferrite core, 1.2 m (4 ft.)
- LED indicators: power and port connection

Connections

- Model 177146: 1 HDMI female (input); 4 HDMI female (output)
- Model 177153: 1 HDMI female (input); 8 HDMI female (output)

Signal Input/Output

- Input video signal: 0.5 – 1.0 V p-p
- Input DDC signal: 5 V p-p (TTL)
- Maximum single link range: 1920 x 1200, 1080p
- Output video: HDMI 1.3b, HDCP 1.0/1.1/1.2, DVI 1.0
- Frequency: up to 225 MHz

Video Resolutions

- VGA: 640 x 480, 800 x 600, 1024 x 768, 1920 x 1200
- DTV/HDTV: 480i/480p/576i/576p/720p/1080i/1080p

Physical

- Model 177146: 270 x 180 x 40 mm (10.6 x 7.1 x 1.5 in.); 1.77 kg (62.9 oz.)
- Model 177153: 441 x 202 x 45 mm (17.4 x 8 x 1.75 in.); 2.45 kg (86.4 oz.)
- Housing: metal

Package Contents

- HDMI Splitter with power adapter
- User manual



MANHATTAN™

BRINGING COMPUTERS TO LIFE

MANHATTAN® offers a complete line
of PC Components, Peripherals, Cables and Accessories.

Ask your local computer dealer for more information
or visit us online at

www.manhattan-products.com

Copyright © MANHATTAN

All products mentioned are trademarks or registered trademarks of their respective owners.