

**READ BEFORE USE
LIRE AVANT UTILISATION
LEA ANTES DE USAR**

Visit www.hamiltonbeach.com for our complete line of products and Use and Care Guides – as well as delicious recipes, tips, and to register your product online!

Rendez-vous sur www.hamiltonbeach.ca pour notre liste complète de produits et de nos manuels utilisateur – ainsi que nos délicieuses recettes et nos conseils !

¡Visite www.hamiltonbeach.com (EE. UU.) o www.hamiltonbeach.com.mx (México) para ver otros productos de Hamilton Beach o para contactarnos!

Questions?

**Please call us – our friendly associates are ready to help.
USA: 1.800.851.8900**

Questions ?

**N'hésitez pas à nous appeler – nos associés s'empreseront de vous aider.
CAN : 1.800.267.2826**

¿Preguntas?

Por favor llámenos – nuestros amables representantes están listos para ayudar.

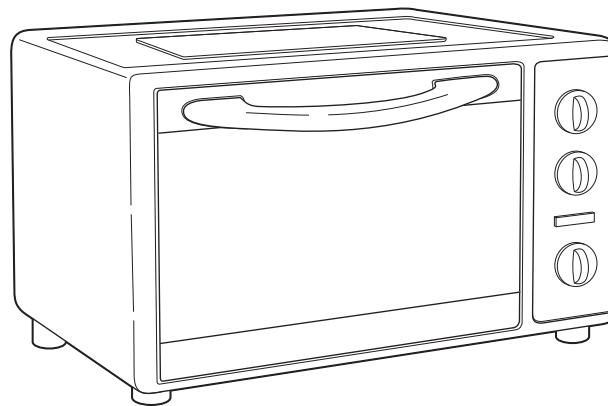
EE. UU.: 1.800.851.8900

MEX: 01 800 71 16 100

Le invitamos a leer cuidadosamente este instructivo antes de usar su aparato.

Hamilton Beach®

Countertop Oven With Rotisserie Four et rôtissoire Horno para Mostrador con Rostizador



English	2
Français.....	17
Español	31

⚠️ WARNING



Fire Hazard.

- If contents ignite, do not open oven door. Unplug oven and allow contents to stop burning and cool before opening door.
- Do not operate unattended while in Broil mode.
- Do not use with oven cooking bags.
- Always allow at least one inch between food and heating element.
- Always unplug oven when not in use.
- Regular cleaning reduces risk of fire hazard.

IMPORTANT SAFEGUARDS

When using electrical appliances, basic safety precautions should always be followed to reduce the risk of fire, electric shock, and/or injury to persons, including the following:

1. Read all instructions.
2. This appliance is not intended for use by persons (including children) with reduced physical, sensory, or mental capabilities, or lack of experience and knowledge, unless they are closely supervised and instructed concerning use of the appliance by a person responsible for their safety.
3. Close supervision is necessary when any appliance is used by or near children. Children should be supervised to ensure that they do not play with the appliance.
4. Do not touch hot surfaces. Use handles or knobs.
5. To protect against electrical shock, do not immerse cord, plug, or oven in water or other liquid.
6. Unplug from outlet when not in use and before cleaning. Allow to cool before cleaning appliance and putting on or taking off parts.
7. Do not operate any appliance with a damaged supply cord or plug, or after the appliance malfunctions or has been dropped or damaged in any manner. Supply cord replacement and repairs must be conducted by the manufacturer, its service agent, or similarly qualified persons in order to avoid a hazard.
8. Call the provided customer service number or information on examination, repair, or adjustment.
8. The use of accessory attachments not recommended by the appliance manufacturer may cause injuries.
9. Do not use outdoors.
10. Do not let cord hang over edge of table or counter or touch hot surfaces.
11. Do not place on or near a hot gas or electric burner or in a heated oven.
12. Extreme caution must be used when moving an appliance containing hot oil or other hot liquids.
13. To disconnect, turn all controls to OFF (O); then remove plug from wall outlet.
14. Use extreme caution when removing pan or disposing of hot grease.
15. Do not clean with metal scouring pads. Pieces can break off the pad and touch electrical parts, creating a risk of electrical shock.
16. Oversize foods or metal utensils must not be inserted in an oven as they may create a fire or risk of electric shock.

17. A fire may occur if the oven is covered, touching, or near flammable material, including curtains, draperies, walls, and the like, when in operation. Do not store any item on top of the appliance when in operation or before the appliance cools down.
18. Extreme caution should be exercised when using containers constructed of materials other than metal or glass.
19. Do not store any materials, other than manufacturer-recommended accessories, in this oven when not in use.
20. Do not place any of the following materials in the oven: paper, cardboard, plastic, and the like.
21. Do not cover crumb tray or any part of the oven with metal foil. This will cause overheating of the oven.
22. To turn oven off, turn Timer to OFF (O) position. See "Parts and Features" section.
23. Do not place eyes or face in close proximity with tempered safety glass door, in the event that the safety glass breaks.
24. Always use appliance with crumb tray securely in place.
25. Do not use appliance for other than intended use.
26. Clean oven interior carefully. Do not scratch or damage heating element tube.

SAVE THESE INSTRUCTIONS!

Other Consumer Safety Information

This appliance is intended for household use only.

⚠ WARNING Electrical Shock Hazard: This appliance is provided with a polarized plug (one wide blade) to reduce the risk of electric shock. The plug fits only one way into a polarized outlet. Do not defeat the safety purpose of the plug by modifying the plug in any way or by using an adapter. If the plug does not fit fully into the outlet, reverse the plug. If it still does not fit, have an electrician replace the outlet.

The length of the cord used on this appliance was selected to reduce the hazards of becoming tangled in or tripping over a longer cord. If a longer cord is necessary, an approved extension cord may be used. The electrical rating of the extension cord must be equal to or greater than the rating of the appliance. Care must be taken to arrange the extension cord so that it will not drape over the countertop or tabletop where it can be pulled on by children or accidentally tripped over.

This appliance is equipped with a fully tempered safety glass door. The tempered glass is four times stronger than ordinary glass and more resistant to breakage. Tempered glass can break; however, it breaks into pieces with no sharp edges. Care must be taken to avoid scratching door surface or nicking edges. If the door has a scratch or nick, call our toll-free customer service number.


Always unplug your oven from the outlet when not in use.

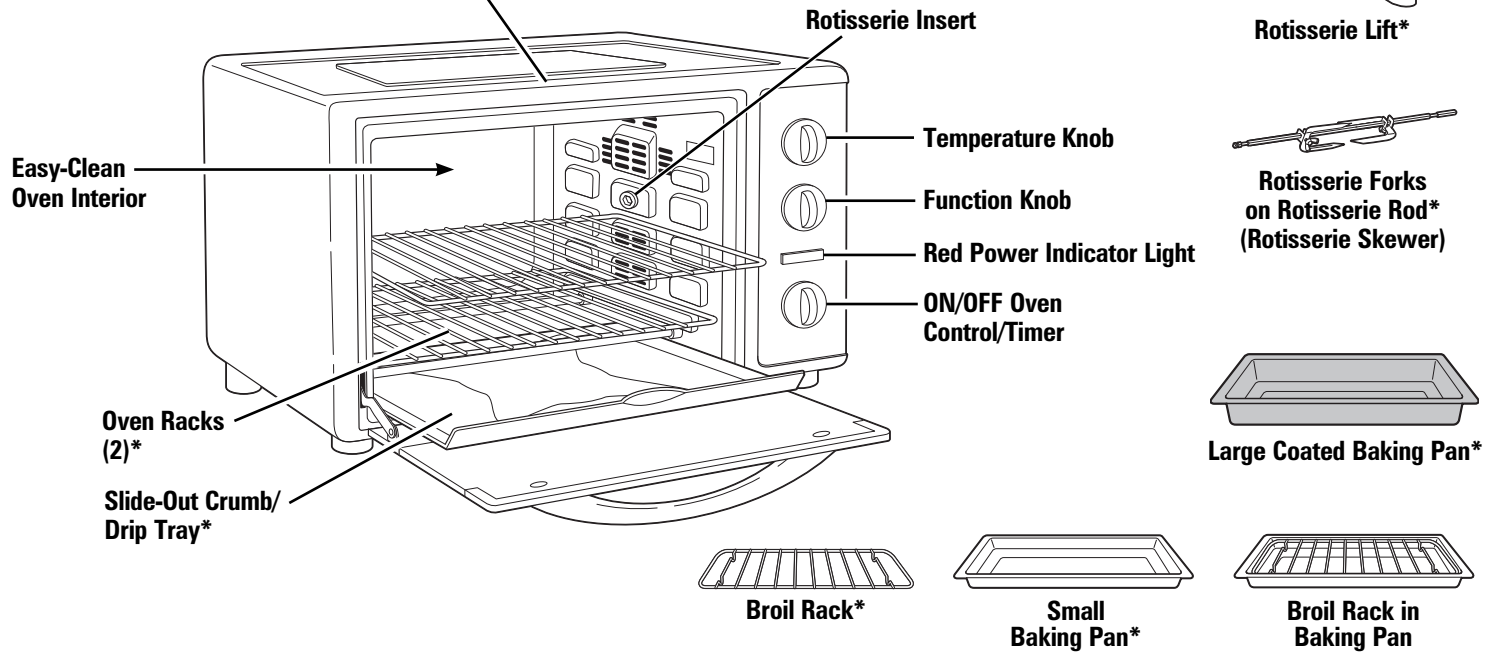
Parts and Features

*To order parts:
US: 1.800.851.8900
www.hamiltonbeach.com
Canada: 1.800.267.2826
Mexico: 01 800 71 16 100

BEFORE FIRST USE

Most heating appliances produce an odor and/or smoke when used the first time. Plug unit into outlet. Turn FUNCTION dial to BAKE and turn TEMPERATURE dial to 450°F; then rotate TIMER to set for 5 minutes. Let the oven preheat for approximately 5 minutes. The odor should not be present after this initial preheating. **Wash baking pan, broil rack, and oven rack before using.**

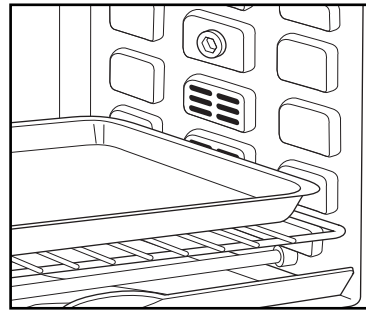
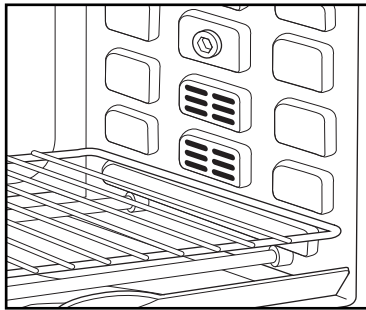
 **CAUTION: HOT SURFACE.** The temperature of accessible surfaces may be high when the appliance is operating.



Parts and Features (cont.)

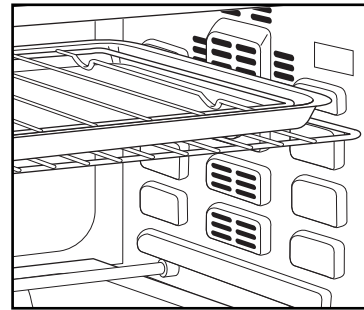
BAKE

Center food in the oven. Rack position will vary depending on size of food.



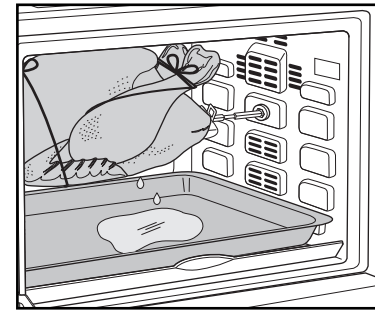
BROIL

Place oven rack in high position.



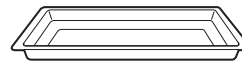
ROTISSERIE

Remove both oven racks.
Place large coated baking pan in the lowest position for drippings.



Large Coated Baking Pan

This pan is used instead of an oven rack and is placed in the rack slots.



Small Baking Pan

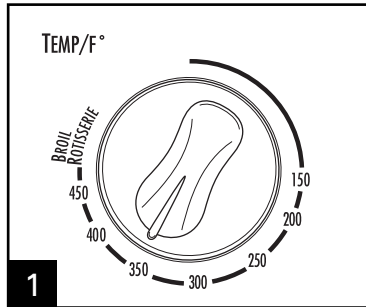
This pan is used on the oven rack.

How to Bake

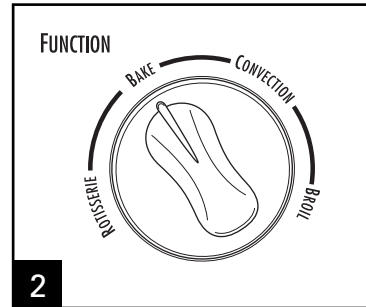
⚠ WARNING Fire Hazard.

- If contents ignite, do not open oven door. Unplug oven and allow contents to stop burning and cool before opening door.

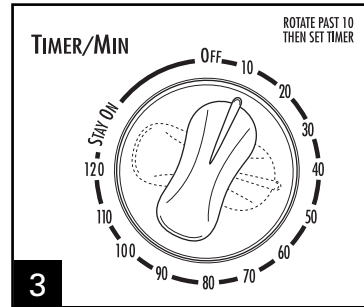
- Do not use oven cooking bags.
- Always allow at least 1 inch (2.5 cm) between food and heating element.
- Always unplug oven when not in use.



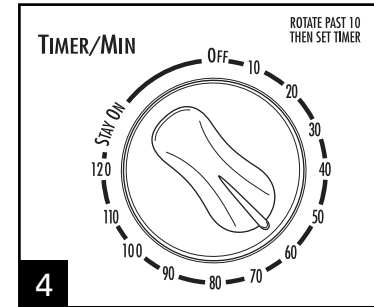
1 Set **TEMPERATURE**: Rotate Temp Dial to desired temperature.



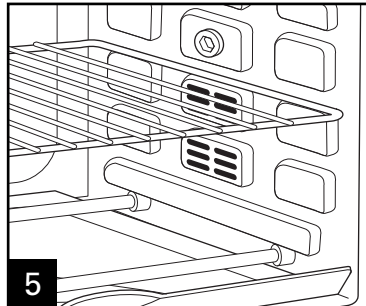
2 Set **FUNCTION** to **BAKE**.



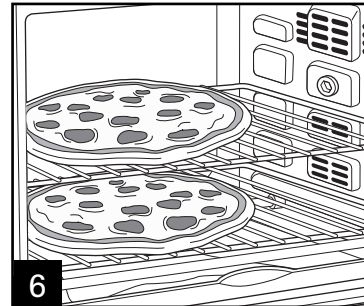
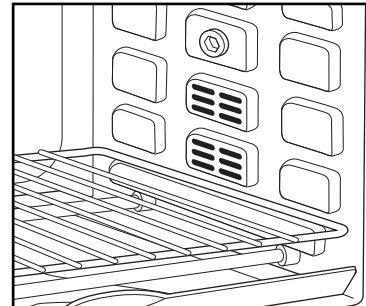
3 **PREHEAT**: Rotate Timer past 40, then to 10 minutes to preheat before beginning to bake.



4 **BAKE**: After oven is preheated, rotate Timer past 40 minutes and then to desired baking time or rotate Timer to **STAY ON**.



5 Center food in the oven. Rack position will vary depending on size of food.



FOR 2 PIZZAS: Place the baking racks in the bottom rack slot and in the third rack slot (from the bottom). Preheat the oven, and then place the pizzas on the baking racks. Cook the pizzas for about one-half the recommended time, and then switch the baking rack positions to allow the pizzas to be uniformly cooked top and bottom.

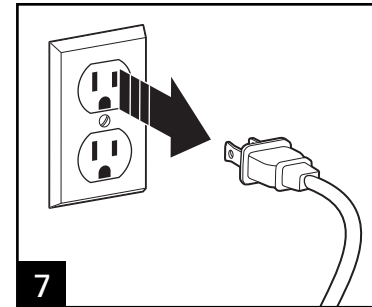
How to Bake (cont.)

- Do not totally enclose foods in aluminum foil. Foil can insulate foods and slow down heating.
- To reheat rolls or biscuits, place on baking pan and heat at 300°F (149°C) for 10 minutes.
- Reheat leftover roasts or casseroles at 350°F (177°C) for 20 to 30 minutes or until heated through.
- Bake foods, such as a whole chicken, on the **LOW RACK POSITION**. Place food in baking pan.
- Ovens with convection mode: When baking pizza, use convection setting and reduce cooking time by 25%.

FOOD	APPROX. BAKE TIMES	INTERNAL TEMPERATURES	
		F	C
Fresh Chicken Breast	30 minutes	170°	77°
Fish Fillet	15 minutes	145°	63°

Turn foods halfway through cooking time.

Visit foodsafety.gov for more safe cooking temperature information.

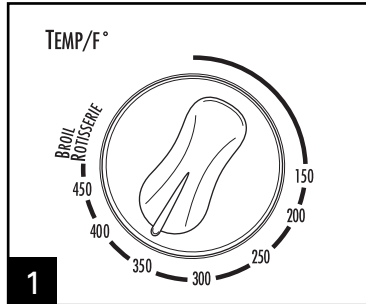


Convection Bake

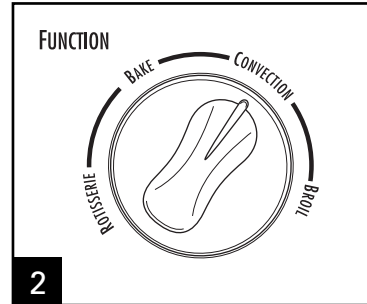
⚠ WARNING Fire Hazard.

- If contents ignite, do not open oven door. Unplug oven and allow contents to stop burning and cool before opening door.

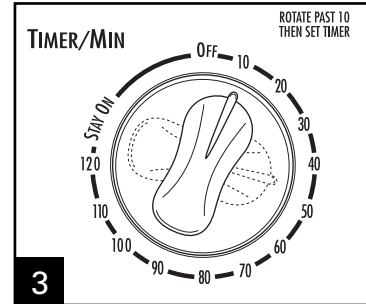
- Do not use oven cooking bags.
- Always allow at least 1 inch (2.5 cm) between food and heating element.
- Always unplug oven when not in use.



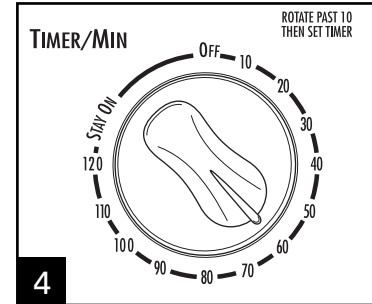
1 Set **TEMPERATURE:**
Rotate Temp Dial to desired temperature.



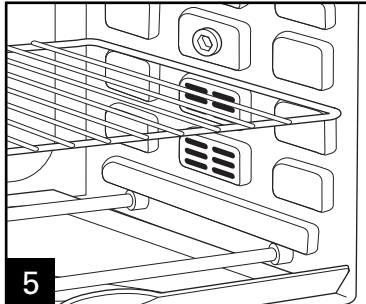
2 Set **FUNCTION** to **CONVECTION.**



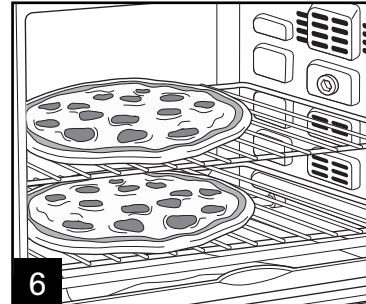
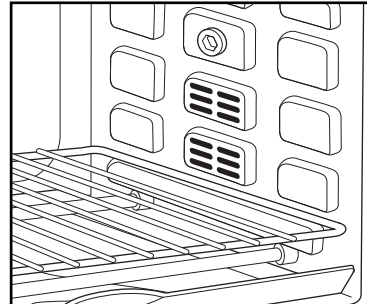
3 **PREHEAT:**
Rotate Timer past 40, then to 10 minutes to preheat before beginning to bake.



4 **BAKE:**
After oven is preheated, rotate Timer past 40 minutes and then to desired baking time or rotate Timer to **STAY ON.**



5 Center food in the oven. Rack position will vary depending on size of food.



FOR 2 PIZZAS:

Place the baking racks in the bottom rack slot and in the third rack slot (from the bottom). Preheat the oven, and then place the pizzas on the baking racks. Cook the pizzas for about one-half the recommended time, and then switch the baking rack positions to allow the pizzas to be uniformly cooked top and bottom.

Convection Bake (cont.)

TIPS FOR USING CONVECTION BAKE

NOTE: Convection Bake forces more air to circulate in the oven, so food will cook faster than the conventional Bake setting.

- Ovens with convection mode: When baking pizza, use convection setting and reduce cooking time by 25%.

- Bake at the same oven temperature but for a shorter period of time.

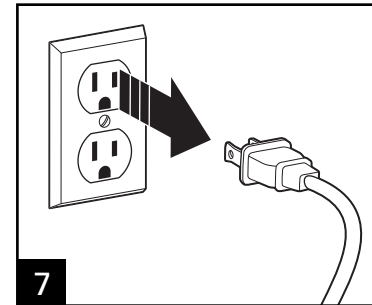
OR

- Bake for the same length of time as the conventional Bake setting, but reduce the temperature by about 25 degrees.

OR

- Bake for a slightly shorter period of time AND at a reduced temperature.

Turn foods halfway through cooking time.
Visit foodsafety.gov for more safe cooking temperature information.

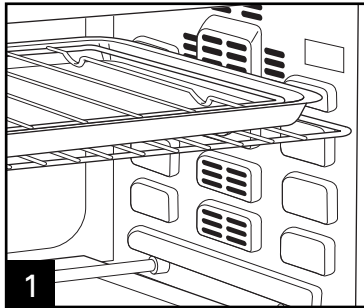


How to Broil

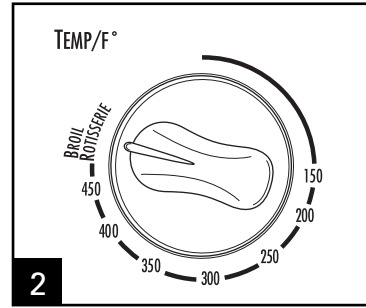
⚠ WARNING Fire Hazard.

- If contents ignite, do not open oven door. Unplug oven and allow contents to stop burning and cool before opening door.
- Do not leave oven unattended during operation.

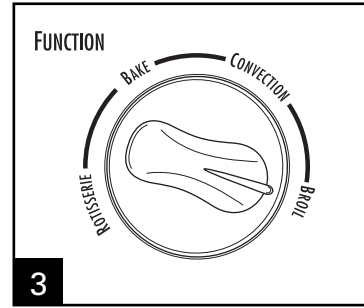
- Keep 1 inch (2.5 cm) between food and heating element.
- Do not use oven cooking bags.
- Do not heat foods in plastic containers.
- Follow food manufacturer's instructions.



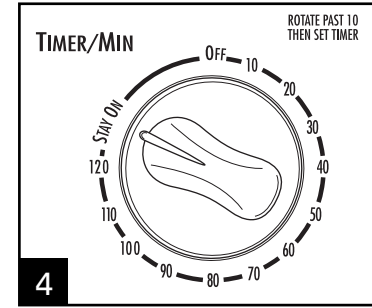
1 Use small baking pan for best results. Place food directly on small baking pan or on broil rack inserted into small baking pan. Place in oven. **DO NOT PREHEAT OVEN.**



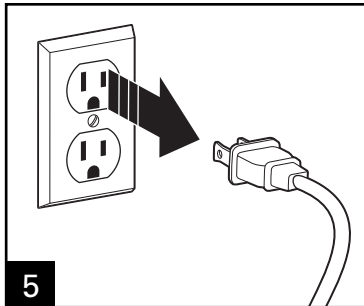
2 Set **TEMPERATURE:** Rotate Temp Dial to **BROIL/ROTISSERIE.**



3 Set **FUNCTION** to **BROIL.**
NOTE: Only upper heating elements will be on in **BROIL** mode.



4 **BROIL:** Rotate Timer past 40 and then to the desired broiling time or rotate Timer to **STAY ON.** Turn foods when browned or halfway through cooking time.

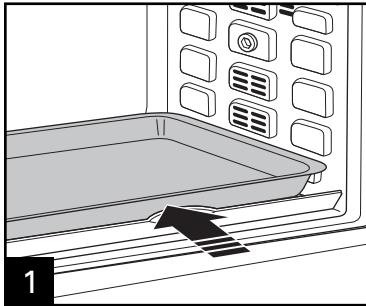


5

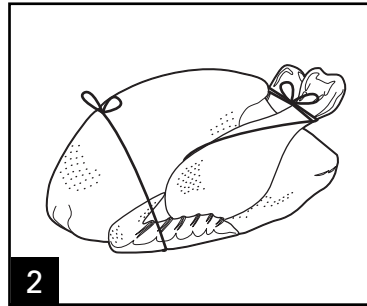
FOOD	APPROX. BROIL TIMES	INTERNAL TEMPERATURES	
		F	C
1/4-lb. (114-g) Hamburger	25 minutes	165°	73°
Steak – 1" (2.5-cm) thick	30 minutes	140° rare	60°
	35 minutes	160° med	71°
	40 minutes	170° well	77°

Turn foods halfway through cooking time. Visit foodsafety.gov for more safe cooking temperature information.

Rotisserie Cooking



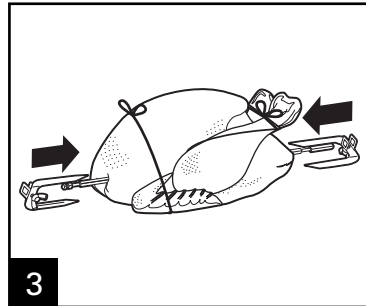
1 Slide large coated baking pan in lowest rack position.



2 Tie chicken and large pieces of meat tightly with cotton string to prevent meat from hitting baking pan. Search "How to Truss a Chicken for Rotisserie" on the Internet for instructions.

⚠ WARNING Fire Hazard.

- If contents ignite, do not open oven door. Unplug oven and allow contents to stop burning and cool before opening door.

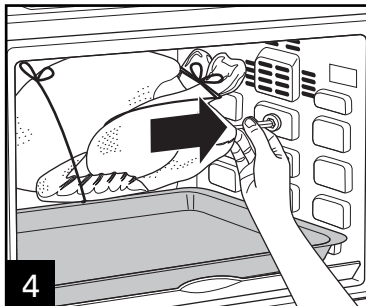


- Do not use oven cooking bags.
- Always allow at least 1 inch (2.5 cm) between food and heating element.
- Always unplug oven when not in use.

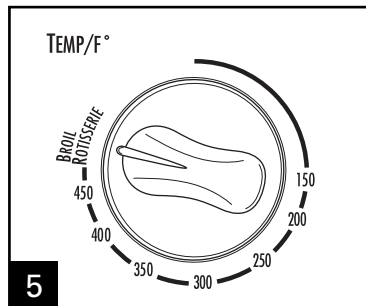
Insert rotisserie rod into center of meat.

Place rotisserie forks on rod with forks inserted into the bottom side of the chicken. Center meat lengthwise on rod.

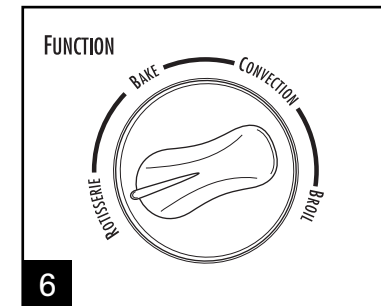
Tighten the screws on the rotisserie forks.



4 Manually insert the pointed end of rod into the rotisserie insert on the right side of the oven, rotating rod if necessary to fit. Place square end of rod into slot in bracket on left side.

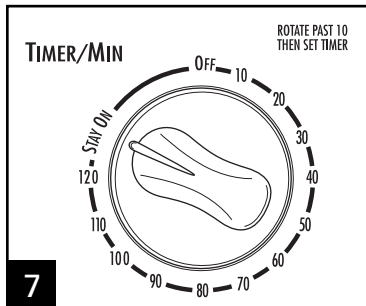


5 Set TEMPERATURE: Rotate Temp Dial to **BROIL/ROTISSERIE**.



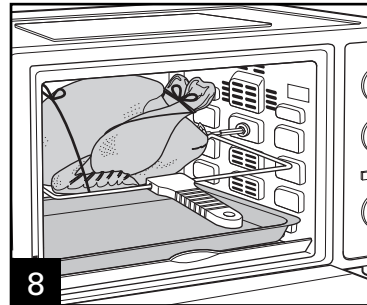
6 Set FUNCTION to **ROTISSERIE**.

Rotisserie Cooking (cont.)

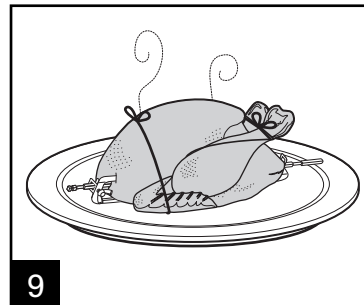


7
BAKE:
 Rotate Timer past 40 minutes;
 then set Timer to desired time
 or rotate Timer to **STAY ON**.

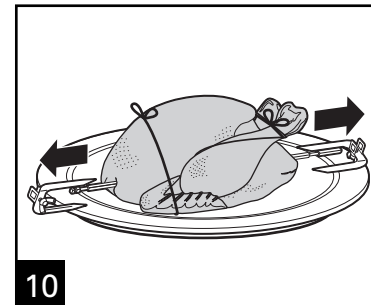
NOTE: Only upper heating elements
 are on in **ROTISSERIE** mode.



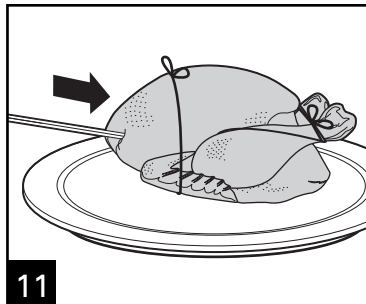
8
 To remove cooked meat from
 oven, place the rotisserie lift with
 the hooks under the rotisserie rod.
 Lift and slide the rotisserie rod
 to the left and remove from the
 oven.



9
 Place meat on a clean surface to
 cool slightly.



10
 Using oven mitts, unscrew
 the rotisserie forks from the
 rotisserie rod.



11
 Slide meat onto a serving tray or cutting surface.
 Remove rotisserie rod and ties before carving.

12

CAUTION Burn Hazard:
 Avoid contact with interior of
 oven.

FOOD	APPROX. BAKE TIMES	INTERNAL TEMPERATURES	
		F	C
3-3.5-lb. (1.4-1.5-kg) Pork Roast	1 hr. 30 min.	165° med	73°
	2 hours	185° well	85°
3-3.5-lb. (1.4-1.5-kg) Beef Roast	1-1 hr. 15 min.	140° rare	60°
	1 hr. 30 min.	160° med	71°
	1 hr. 45 min.	170° well	77°
5-lb. (2.3-kg) Chicken	2 hours	165° thigh	73°

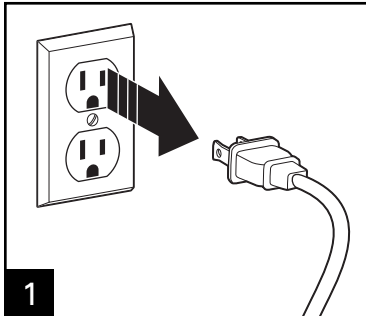
Visit foodsafety.gov for more safe cooking temperature information.

Cleaning

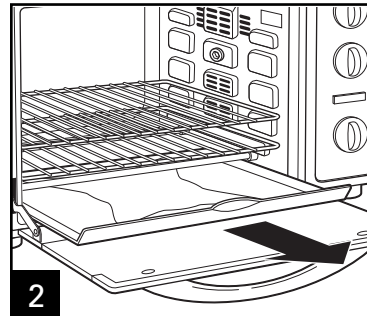
⚠ WARNING Electrical Shock Hazard.

Do not clean with metal scouring pads. Pieces can break off pad and touch electrical parts.

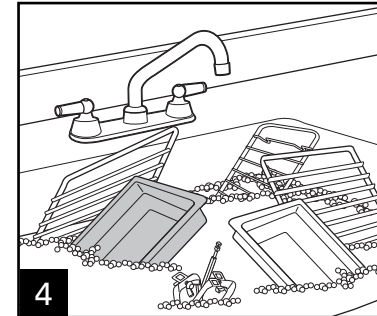
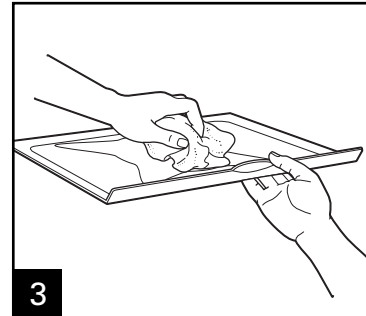
Your oven should be cleaned regularly for best performance and long life. Regular cleaning will also reduce the risk of fire hazard.



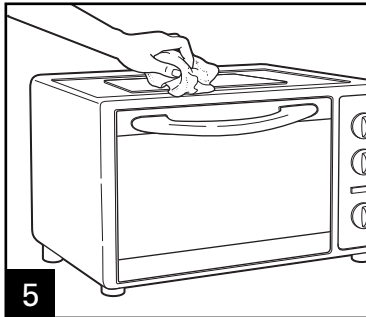
1 Unplug and allow oven to cool before cleaning.



2 To clean inside of oven, wipe oven walls, bottom of oven, and glass door with a damp, soapy cloth. Repeat with a damp, clean cloth. For stubborn stains, use a plastic scouring pad.



4 Hand washing and drying will prolong the life of your oven parts.



5 Wipe outside of oven with a damp cloth. Do not use abrasive cleansers or metal scouring pads.

Visit www.hamiltonbeach.com for our complete line of products and Use and Care Guides – as well as delicious recipes, tips, and to register your product online!

Tips and Troubleshooting

Tips

- When using the black ceramic-coated baking pan, temperature should be set 25 degrees lower than recipe directions.
- Never place glass baking pans or casserole dishes in a countertop oven or toaster oven. Check pan manufacturer's directions for oven-safe rating.
- Do not cover crumb tray or any part of the oven with metal foil. This will cause overheating of the oven. Use of metal foil to cover a casserole during cooking is acceptable.

IF YOU LIVE IN A HIGH-ALTITUDE AREA:

The Extension service will have detailed information about cooking for your area. To locate the Cooperative Extension service in your county, please visit: <http://www.csrees.usda.gov/Extension/>.

Troubleshooting

PROBLEM	PROBABLE CAUSE/SOLUTION
Oven will not heat.	<ul style="list-style-type: none">• Check to make sure electrical outlet is working and the oven is plugged in. Turn Temperature Dial to 350°F (180°C). Turn Function Dial to BAKE; then turn Timer to STAY ON.
An odor and smoke come from oven.	<ul style="list-style-type: none">• Smoke and odor are normal during first use of most heating appliances. These will not be present after initial heating period.
Some foods burn and some are not done.	<ul style="list-style-type: none">• Adjust oven rack position to center food in oven.• Adjust oven temperature or cooking time for best results with your recipes.
Baking pan does not fit on rack.	<ul style="list-style-type: none">• The large black ceramic-coated baking pan fits directly into slots. Do not use for broiling.• Use the small baking pan and broil rack for broiling.• Refer to Parts and Features for details on baking pans and rack positions.

Notes

Limited Warranty

This warranty applies to products purchased and used in the U.S. and Canada. This is the only express warranty for this product and is in lieu of any other warranty or condition.

This product is warranted to be free from defects in material and workmanship for a period of five (5) years from the date of original purchase in Canada and one (1) year from the date of original purchase in the U.S. During this period, your exclusive remedy is repair or replacement of this product or any component found to be defective, at our option; however, you are responsible for all costs associated with returning the product to us and our returning a product or component under this warranty to you. If the product or component is no longer available, we will replace with a similar one of equal or greater value.

This warranty does not cover glass, filters, wear from normal use, use not in conformity with the printed directions, or damage to the product resulting from accident, alteration, abuse, or misuse. This warranty extends only to the original consumer purchaser or gift recipient. Keep the original sales receipt, as proof of purchase is required to make a warranty claim. This warranty is void if the product is used for other than single-family household use or subjected to any voltage and waveform other than as specified on the rating label (e.g., 120V ~ 60 Hz).

We exclude all claims for special, incidental, and consequential damages caused by breach of express or implied warranty. All liability is limited to the amount of the purchase price. **Every implied warranty, including any statutory warranty or condition of merchantability or fitness for a particular purpose, is disclaimed except to the extent prohibited by law, in which case such warranty or condition is limited to the duration of this written warranty.** This warranty gives you specific legal rights. You may have other legal rights that vary depending on where you live. Some states or provinces do not allow limitations on implied warranties or special, incidental, or consequential damages, so the foregoing limitations may not apply to you.

To make a warranty claim, do not return this appliance to the store. Please call 1.800.851.8900 in the U.S. or 1.800.267.2826 in Canada or visit hamiltonbeach.com in the U.S. or hamiltonbeach.ca in Canada. For faster service, locate the model, type, and series numbers on your appliance.

⚠️ AVERTISSEMENT



Danger d'incendie.

- Si le contenu de votre grille-pain se met à brûler, n'ouvrez jamais la porte du four. Débranchez l'appareil et laissez le contenu s'arrêter de brûler avant d'ouvrir la porte.
- Ne faites jamais fonctionner en mode BROIL sans surveillance.
- N'utilisez jamais avec des sacs de cuisson au four.
- Laissez toujours au moins un pouce libre entre les aliments et l'élément de chauffage.
- Débranchez toujours votre four quand vous ne l'utilisez pas.
- Un nettoyage régulier réduit le danger d'incendie.

PRÉCAUTIONS IMPORTANTES

Pour utiliser un appareil électroménager, vous devez toujours prendre des mesures élémentaires de sécurité pour réduire le risque d'incendie, d'électrocution et/ou de blessure corporelle, en particulier les mesures suivantes :

1. Lire toutes les instructions.
2. Cet appareil n'est pas destiné à être utilisé par des personnes (y compris les enfants) dont les capacités physiques, sensorielles ou mentales sont réduites, ou manquant d'expérience et de connaissance, sauf si elles sont étroitement surveillées et instruites sur l'utilisation de l'appareil par une personne responsable de leur sécurité.
3. Une surveillance étroite est requise pour tout appareil utilisé par ou près des enfants. Surveiller que les enfants ne jouent pas avec l'appareil.
4. Ne pas toucher les surfaces chaudes. Utiliser les poignées ou boutons.
5. Pour protéger contre le risque de choc électrique, ne pas immerger le cordon, la fiche ou le four dans l'eau ou autre liquide.
6. Débrancher l'appareil de la prise de courant électrique lorsqu'il n'est pas utilisé et avant un nettoyage. Le laisser refroidir avant le nettoyage et avant d'y placer ou d'y enlever des pièces.
7. Ne pas faire fonctionner un appareil électroménager avec un cordon ou une fiche endommagée, ou lorsque l'appareil ne fonctionne pas bien ou a été échappé ou endommagé d'une manière quelconque. Le remplacement et la réparation du cordon d'alimentation doivent être faits par le fabricant, son agent de service ou toute personne qualifiée de façon à éviter tout danger. Appeler le numéro de service à la clientèle fourni pour des renseignements concernant l'examen, la réparation ou l'ajustement.
8. L'utilisation d'accessoires non recommandés par le fabricant d'appareil peut causer des blessures.
9. Ne pas utiliser à l'extérieur.
10. Ne pas laisser le cordon pendre du bord d'une table ou d'un comptoir, ou toucher des surfaces chaudes.
11. Ne pas placer l'appareil sur ou près d'un brûleur chaud à gaz ou d'un élément électrique, ou dans un four chauffé.
12. Une précaution extrême doit être employée lors du déplacement d'un appareil électroménager contenant de l'huile chaude ou autre liquide chaud.

13. Pour débrancher l'appareil, tourner tous les réglages à OFF (O/arrêt), ensuite retirer la fiche de la prise de courant murale.
14. Une prudence extrême s'impose lors de l'enlèvement du plateau ou de la vidange de graisse chaude.
15. Ne pas nettoyer avec des tampons à récurer en métal. Des particules peuvent se détacher du tampon et toucher les pièces électriques, créant un risque de choc électrique.
16. Des aliments ou des ustensiles de métal de grosseur excessive ne doivent pas être insérés dans un four, car ils peuvent créer un incendie ou un risque de choc électrique.
17. Un incendie peut survenir si le four est recouvert, touche ou est près de matériaux inflammables, y compris rideaux, tentures, murs et autres articles semblables, lorsqu'il fonctionne. Ne pas remettre des articles sur le dessus de l'appareil lorsqu'il est utilisé, ou avant le refroidissement de l'appareil.
18. Une grande précaution doit être prise lors de l'utilisation de contenants construits en matériaux autre que le métal ou le verre.
19. Ne pas remettre des matériaux autres que les accessoires recommandés par le fabricant dans cet appareil lorsqu'il n'est pas utilisé.
20. Ne pas placer l'un des matériaux suivants dans le four : papier, carton, plastique et articles semblables.
21. Ne pas couvrir le plateau à miettes ou toute pièce du four avec du papier métallique. Ceci causera un surchauffage du four.
22. Pour éteindre le four, tourner la bouton de minuterie à la position OFF (O/arrêt). Voir la section « Pièces et caractéristiques ».
23. Ne pas placer les yeux ou le visage près de la porte en verre renforcé de sécurité, au cas où le verre de sécurité se briserait.
24. Toujours utiliser cet appareil avec le plateau à miettes bien en place.
25. Ne pas utiliser cet appareil pour tout autre usage que celui recommandé.
26. Nettoyer l'intérieur du four avec précaution. Ne pas égratigner ou endommager le tube de l'élément chauffant.

CONSERVER CES INSTRUCTIONS !

Renseignements de Sécurité aux Consommateurs

Cet appareil est destiné à un usage domestique uniquement.

⚠ AVERTISSEMENT Risque de choc électrique : Cet appareil est fourni avec une fiche polarisée (une broche large) pour réduire le risque d'électrocution. Cette fiche n'entre que dans un seul sens dans une prise polarisée. Ne contrecarrez pas l'objectif sécuritaire de cette fiche en la modifiant de quelque manière que ce soit ou en utilisant un adaptateur. Si vous ne pouvez pas insérer complètement la fiche dans la prise, inversez la fiche. Si elle refuse toujours de s'insérer, faire remplacer la prise par un électricien.

La longueur du cordon installé sur cet appareil a été sélectionnée afin de réduire les risques d'enchevêtrement ou de faux pas causés par un fil trop long. L'utilisation d'une rallonge approuvée est permise si le cordon est trop court. Les caractéristiques électriques de la rallonge doivent être équivalentes ou supérieures


aux caractéristiques de l'appareil. Prendre toutes les précautions nécessaires pour installer la rallonge de manière à ne pas la faire courir sur le comptoir ou sur une table pour éviter qu'un enfant ne tire sur le cordon ou trébuche accidentellement.

Cet appareil est doté d'une porte en verre renforcé de sécurité. Le verre renforcé est quatre fois plus fort que le verre ordinaire et plus résistant aux bris. Le verre renforcé peut se briser, mais il se brise en pièces sans bords coupants. Il faut prendre soin d'éviter d'égratigner la surface de la porte ou d'endommager le contour. Si la porte a une égratignure ou un bris, composer notre numéro sans frais d'interurbain d'assistance à la clientèle.

Toujours débrancher votre four de la prise de courant lorsqu'il n'est pas utilisé.

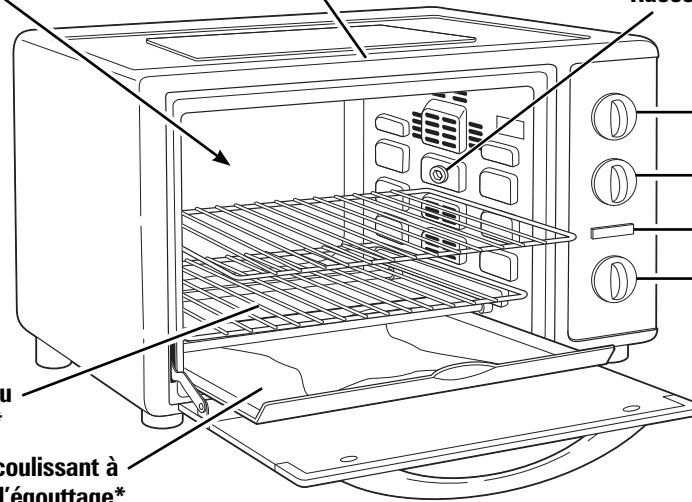
Pièces et caractéristiques

*Pour commander des pièces
Canada : 1.800.267.2826

 **ATTENTION : SURFACE CHAUDE :** La température des surfaces extérieures sera plus élevée pendant le fonctionnement de l'appareil.

Intérieur de four facile à nettoyer

Raccord de la rôtisserie



Sélecteur de température

Commande par cadran

Témoin lumineux rouge

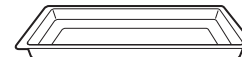
Commande ON/OFF (marche/arrêt) du four/ de la minuterie

Grilles du four (2)*

Plateau coulissant à miettes/d'égouttage*



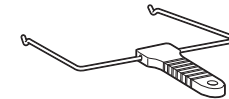
Grille de cuisson au gril*



Petit plat de cuisson*



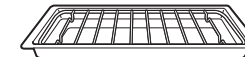
Grand plat de cuisson avec enduit*



Système de levage de la rôtisserie*



Broches à rôtir sur tournebroche*



Grille du gril dans le plat de cuisson

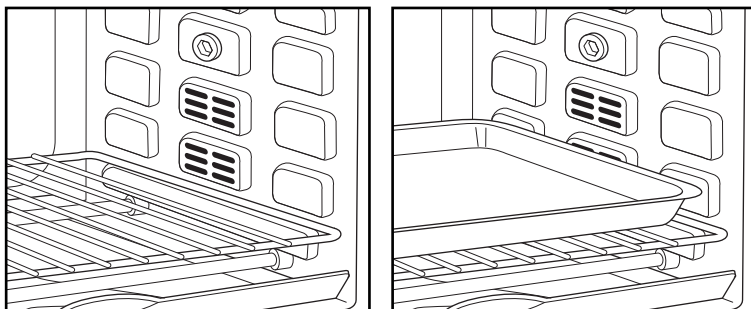
AVANT LA PREMIÈRE UTILISATION

La plupart des appareils chauffants produisent une odeur ou de la fumée (ou les deux) lors de leur première utilisation. Brancher l'appareil dans une prise. Tourner la commande par cadran à BAKE (cuire) et le sélecteur de température à 450 °F (230 °C) ; tourner la commande de la minuterie et régler à 5 minutes. Laisser le four se préchauffer pendant environ 5 minutes. L'odeur ne doit plus être présente après ce préchauffage initial. **Nettoyer le plat à cuisson, grille du gril, et la grille du four avant l'utilisation.**

Pièces et caractéristiques (suite)

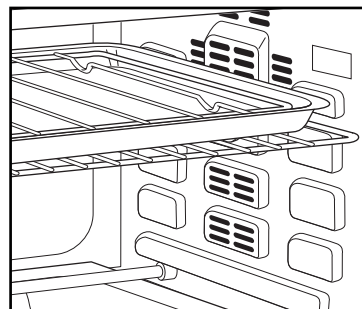
CUISSON

Placer les aliments au centre du four. La position de la grille variera selon la dimension des aliments.



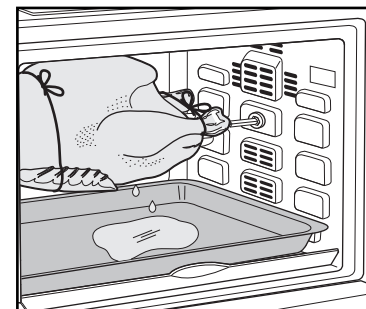
BRUNISSAGE

Placer la grille du four dans la position haute.



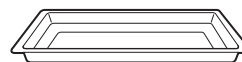
RÔTISSOIRE

Retirer les deux grilles du four. Placer le grand plat de cuisson avec enduit à la position la plus basse du four pour récupérer les débordements.



Grand plat de cuisson avec enduit

Ce plat est utilisé au lieu de la grille du four et placé dans les fentes de grille.



Petit plat de cuisson

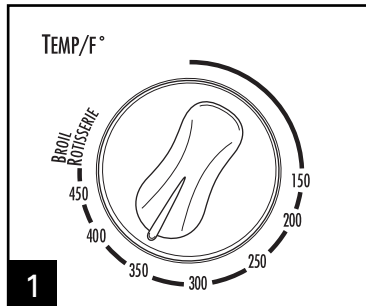
Ce plat est utilisé sur la grille du four.

Pour la cuisson

⚠ AVERTISSEMENT Risque d'incendie.

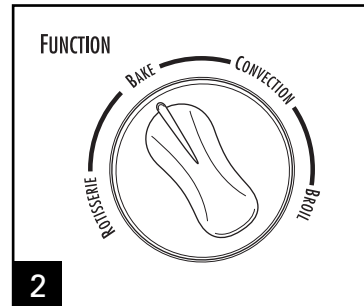
- Si les aliments s'enflamment, ne pas ouvrir la porte du four. Débrancher le four et laisser les aliments s'éteindre et refroidir avant d'ouvrir la porte.

- Ne pas utiliser de sac de cuisson au four.
- Toujours laisser 1 pouce (2,5 cm) libre entre les aliments et l'élément de chauffage.
- Toujours débrancher le four dès la fin de l'utilisation.



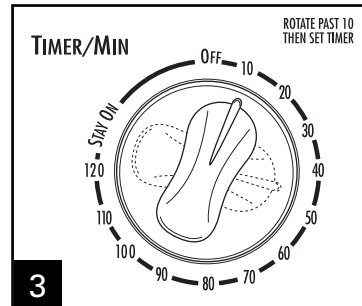
1

Réglage de la TEMPÉRATURE :
Tourner le sélecteur de température à la température désirée.



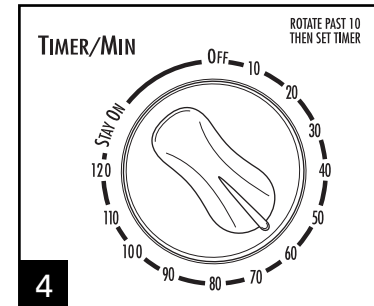
2

Régler la commande par cadran à **BAKE** (cuire).



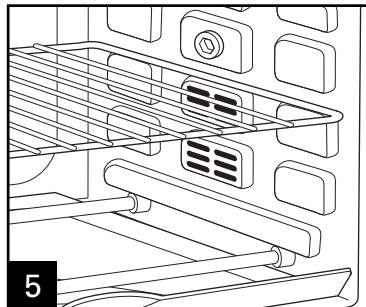
3

PRÉCHAUFFAGE :
Tourner la commande TIMER (minuterie) au-delà de 40 puis revenir à 10 minutes pour préchauffer le four avant de commencer la cuisson.



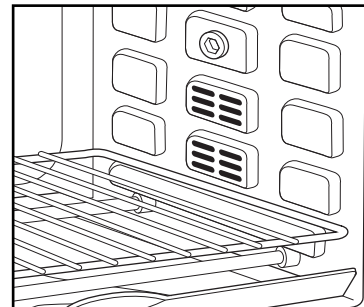
4

CUIRE :
Après le préchauffage du four, tourner la commande TIMER (minuterie) au-delà de 40 minutes puis revenir en arrière jusqu'à la durée de cuisson désirée ou tourner la commande TIMER (minuterie) sur **STAY ON** (continue).

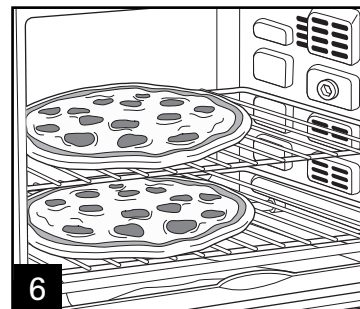


5

Placer les aliments au centre du four. La position de la grille variera selon la dimension des aliments.



6



POUR 2 PIZZAS :

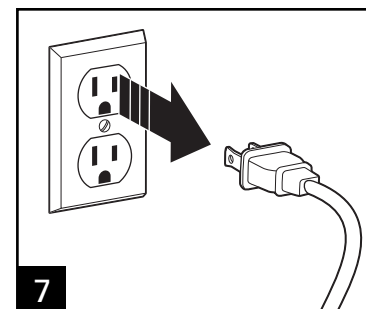
Placer les grilles de cuisson dans la fente inférieure et dans la troisième fente pour grille (depuis le bas). Préchauffer le four puis placer les pizzas sur les grilles de cuisson. Cuire les pizzas à environ la moitié du temps suggéré puis changer les grilles de position pour permettre une cuisson uniforme des deux pizzas.

Pour la cuisson (suite)

- Ne pas emballer hermétiquement les aliments dans le papier aluminium. L'aluminium isole les aliments et ralentit leur chauffage.
- Pour réchauffer des brioches ou biscuits, placer les aliments sur le plat de cuisson et chauffer à 149 °C (300 °F) pendant 10 minutes.
- Réchauffer les restes de viandes et plats mijotés à 177 °C (350 °F) pendant 20 à 30 minutes ou jusqu'à ce que les aliments soient entièrement réchauffés.
- Cuire les aliments comme le poulet entier en plaçant en **POSITION INFÉRIEURE DE LA GRILLE**. Placer les aliments dans le plat de cuisson.
- Fours à mode de cuisson par convection : Lors de la cuisson de pizza, utiliser le réglage de cuisson par convection et réduire la durée de cuisson de 25 %.

ALIMENT	TEMPS DE CUISSON APPROX.	TEMPÉRATURES INTERNES	
		F	C
Poitrine de poulet fraîche	30 minutes	170 °	77 °
Filet de Poisson	15 minutes	145 °	63 °

Tourner les aliments à la mi-cuisson.
Veuillez consulter foodsafety.gov pour de plus amples informations sur les températures de cuisson appropriées.



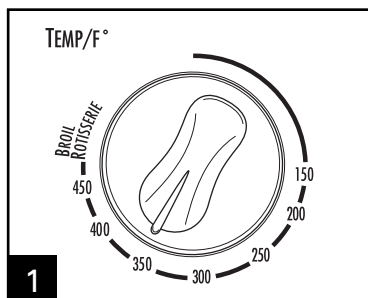
Cuisson par convection

⚠ AVERTISSEMENT

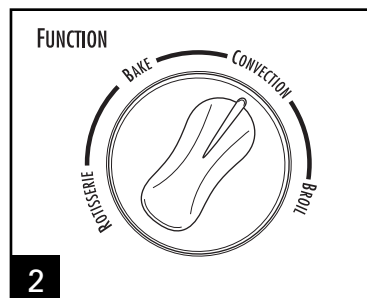
Risque d'incendie.

- Si les aliments s'enflamment, ne pas ouvrir la porte du four. Débrancher le four et laisser les aliments s'éteindre et refroidir avant d'ouvrir la porte.

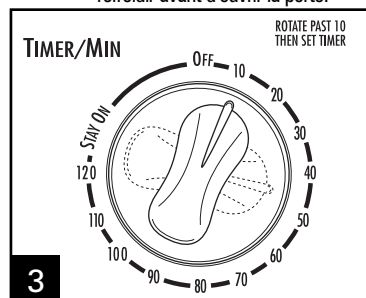
- Ne pas utiliser de sac de cuisson au four.
- Toujours laisser 1 pouce (2,5 cm) libre entre les aliments et l'élément de chauffage.
- Toujours débrancher le four dès la fin de l'utilisation.



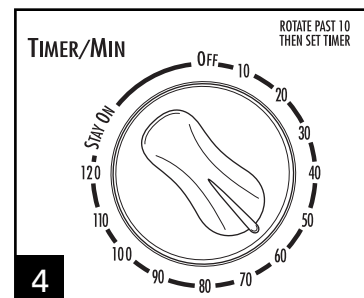
1
Réglage de la TEMPÉRATURE :
Tourner le sélecteur de température à la température désirée.



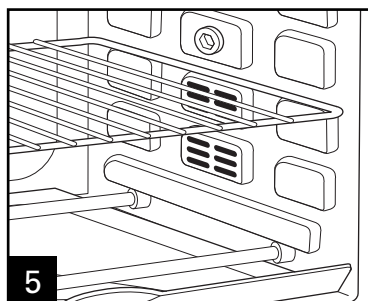
2
Régler la commande par cadran à **CONVECTION**.



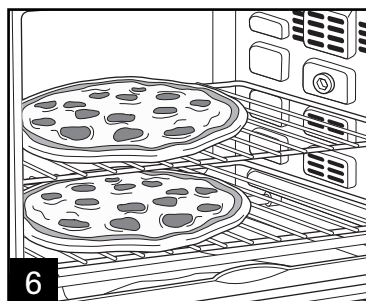
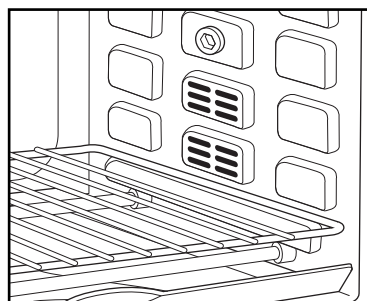
3
PRÉCHAUFFAGE :
Tourner la commande TIMER (minuterie) au-delà de 40 puis revenir à 10 minutes pour préchauffer le four avant de commencer la cuisson.



4
CUIRE :
Après le préchauffage du four, tourner la commande TIMER (minuterie) au-delà de 40 minutes puis revenir en arrière jusqu'à la durée de cuisson désirée ou tourner la commande TIMER (minuterie) sur **STAY ON** (continue).



5
Placer les aliments au centre du four. La position de la grille variera selon la dimension des aliments.



POUR 2 PIZZAS :

Placer les grilles de cuisson dans la fente inférieure et dans la troisième fente pour grille (depuis le bas). Préchauffer le four puis placer les pizzas sur les grilles de cuisson. Cuire les pizzas à environ la moitié du temps suggéré puis changer les grilles de position pour permettre une cuisson uniforme des deux pizzas.

Cuisson par convection (suite)

CONSEILS DE CUISSON AU FOUR À CONVECTION

REMARQUE : La cuisson par convection force plus d'air à circuler dans le four, donc les aliments cuisent plus vite que sur le réglage de cuisson conventionnelle.

- Fours à mode de cuisson par convection : Lors de la cuisson de pizza, utiliser le réglage de cuisson par convection et réduire la durée de cuisson de 25 %.

- Faire cuire à la même température de four mais pendant une plus courte durée.

OU :

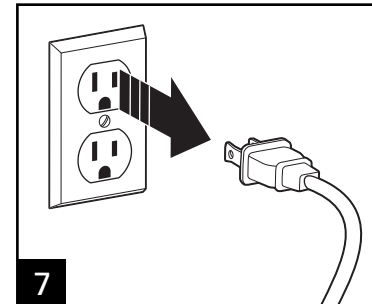
- Faire cuire pendant la même durée que sur le réglage de cuisson conventionnelle, mais réduire la température d'environ 25 degrés (14 °C).

OU :

- Faire cuire pendant un petit peu moins longtemps ET à une température réduite.

Tourner les aliments à la mi-cuisson.

Veillez consulter **foodsafety.gov** pour de plus amples informations sur les températures de cuisson appropriées.

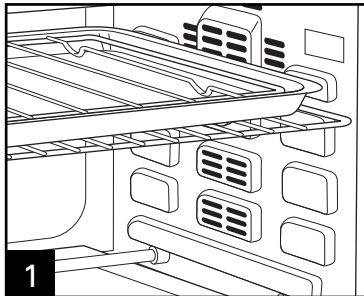


Cuisson au grill

⚠️ AVERTISSEMENT Risque d'incendie.

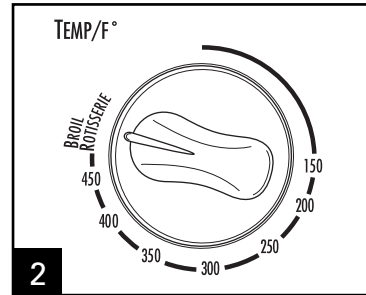
- Si les aliments s'enflamment, ne pas ouvrir la porte du four. Débrancher le four et laisser les aliments s'éteindre et refroidir avant d'ouvrir la porte.
- Ne pas laisser l'appareil sans surveillance pendant le fonctionnement.

- Toujours laisser 1 pouce (2,5 cm) libre entre les aliments et l'élément de chauffage.
- Ne pas utiliser de sac de cuisson au four.
- Ne pas réchauffer les aliments dans des contenants en matière plastique.
- Suivre les instructions des fabricants d'aliments.



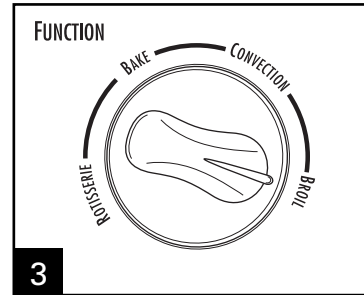
1

Utiliser le petit plat de cuisson pour des résultats optimaux. Déposer les aliments directement dans le petit plat de cuisson ou sur une grille déposée dans le petit plat de cuisson. Mettre au four. **NE PAS PRÉCHAUFFER LE FOUR.**



2

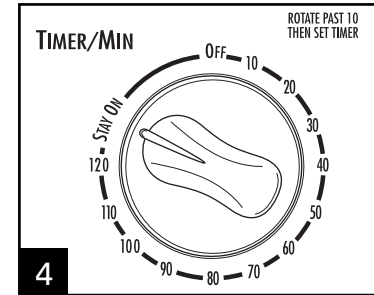
Réglage de la TEMPÉRATURE : Tourner le sélecteur de température à **BROIL/ROTISSERIE** (grillage/ rôtissoire).



3

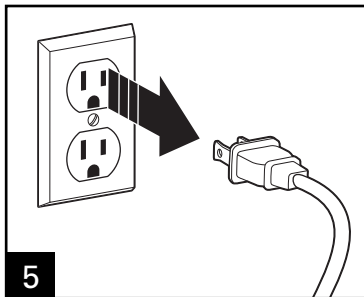
Régler la commande par cadran à **BROIL** (grillage).

REMARQUE : Seul l'élément chauffant supérieur est allumé en mode **BROIL** (grillage).



4

POUR GRILLER : Tourner la commande **TIMER** (minuterie) au-delà de 40 minutes puis revenir en arrière jusqu'à la durée de cuisson désirée ou tourner la commande **TIMER** (minuterie) sur **STAY ON** (continue). Retourner les aliments lorsqu'ils sont grillés ou à la moitié du temps de cuisson.



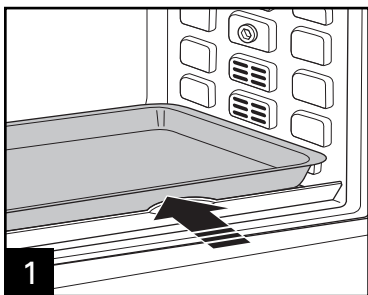
5

ALIMENT	TEMPS DE CUISSON AU GRIL APPROX.	TEMPÉRATURES INTERNES	
		F	C
Hamburger ¼ livre (114 g)	25 minutes	165 °	73 °
Steak – 1 po (2,5 cm) d'épaisseur	30 minutes	140 ° saignant	60 °
	35 minutes	160 ° à point	71 °
	40 minutes	170 ° bien cuit	77 °

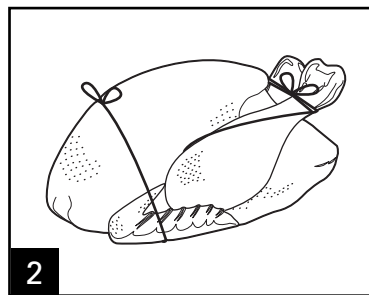
Tourner les aliments à la mi-cuisson.

Veuillez consulter foodsafety.gov pour de plus amples informations sur les températures de cuisson appropriées.

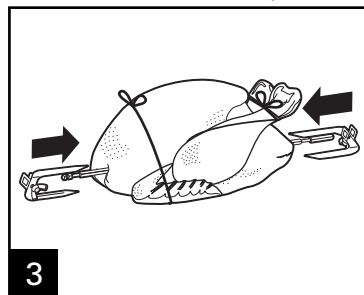
Cuisson à la rôtissoire



1 Glisser le grand plat de cuisson avec enduit à la position inférieure de grille.

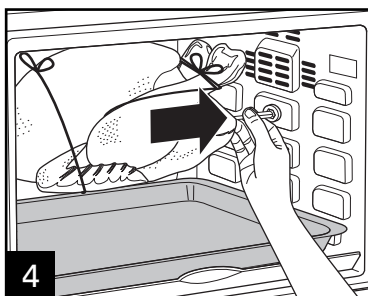


2 Attacher bien le poulet et les grosses pièces de viande à l'aide d'une ficelle de coton afin d'empêcher la viande de heurter la casserole. Rechercher « How to Truss a Chicken for Rotisserie » (Comment attacher un poulet pour la rôtisserie) sur Internet pour des instructions.

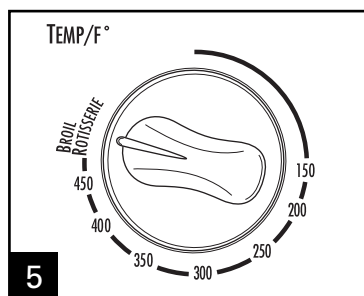


- Ne pas utiliser de sac de cuisson au four.
- Toujours laisser 1 po (2,5 cm) libre entre les aliments et l'élément de chauffage.
- Toujours débrancher le four dès la fin de l'utilisation.

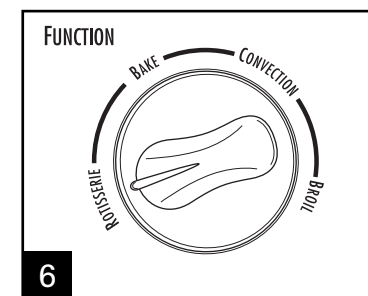
Insérer le tournebroche au centre de la viande.
Placer les broches à rôtir sur le tournebroche. Les broches doivent être insérées dans la partie inférieure du poulet. Centrer la viande sur le tournebroche, dans le sens de la longueur.
Resserrer les vis des broches à rôtir.



4 Insérer à la main l'extrémité pointue de la tige dans le support de rôtisserie de la face droite du four, en faisant pivoter la tige pour l'appuyer à fond si nécessaire. Placer l'extrémité carrée dans la fente du support de la face gauche.

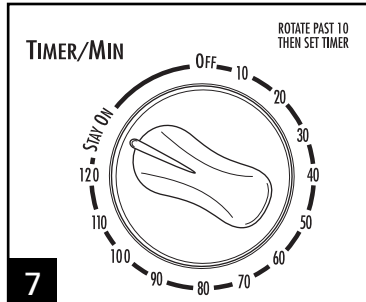


5 Réglage de la TEMPÉRATURE : Tourner le sélecteur de température à la **BROIL/ROTISSERIE** (grillage/ rôtissoire).



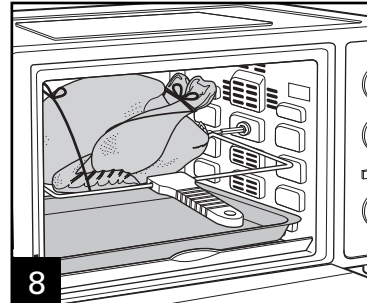
6 Régler la commande par cadran à **ROTISSERIE** (rôtissoire).

Cuisson à la rôtissoire (suite)



7

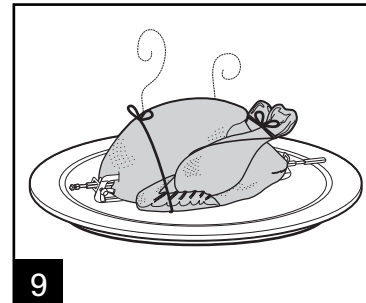
CUIRE : Tourner la commande **TIMER** (minuterie) au-delà de 40 minutes puis revenir en arrière jusqu'à la durée de cuisson désirée ou tourner la commande **TIMER** (minuterie) sur **STAY ON** (continue). **REMARQUE :** Seul l'élément chauffant supérieur est allumé en mode **ROTISSERIE** (rôtissoire).



8

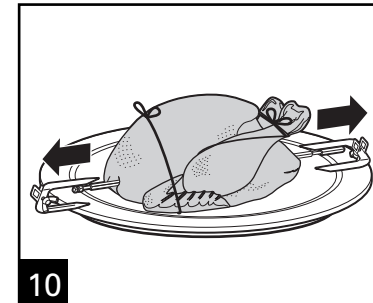
Pour retirer la viande cuite du four, positionner le système de levage de la rôtisserie avec les supports sous le tournebroche. Soulever et faire glisser le tournebroche vers la gauche et le retirer du four.

⚠ ATTENTION **Risque de brûlure :** Éviter tout contact avec l'intérieur du four.



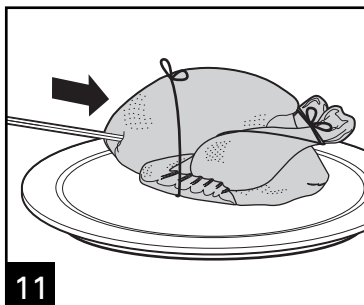
9

Déposer la viande sur une surface propre et laisser refroidir un peu.



10

Avec des gants de cuisinier, dévisser les fourchettes de la rôtissoire de la tige de la rôtissoire.



11

ALIMENT	TEMPS DE CUISSON APPROX.	TEMPÉRATURES INTERNES	
		F	C
3-3.5-lb. (1,4-1,5 kg) Rôti de porc	1 hr. 30 min.	165 ° à point	73 °
	2 heures	185 ° bien cuit	85 °
3-3.5-lb. (1,4-1,5 kg) Rôti de boeuf	1 hr. à 1 hr. 15 min.	140 ° saignant	60 °
	1 hr. 30 min.	160 ° à point	71 °
	1 hr. 45 min.	170 ° bien cuit	77 °
5-lb. (2,3 kg) Poulet	2 heures	165 ° cuisson	73 °

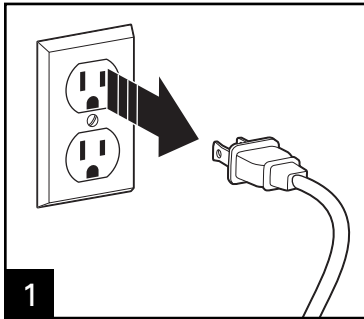
Veuillez consulter foodsafety.gov pour de plus amples informations sur les températures de cuisson appropriées.

Nettoyage

⚠ AVERTISSEMENT Risque d'électrocution.

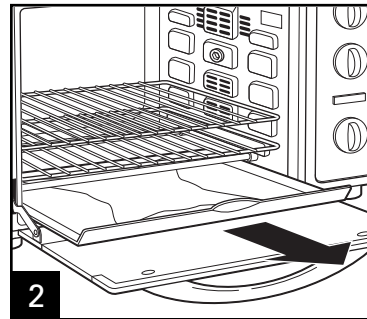
Ne pas utiliser de tampon à récurer métallique pour le nettoyage. Des débris métalliques peuvent se détacher et tomber sur des composants électriques.

Nettoyer périodiquement le four pour un rendement optimal et prolonger la durée de vie. Le nettoyage périodique diminue également le risque d'incendie.



1

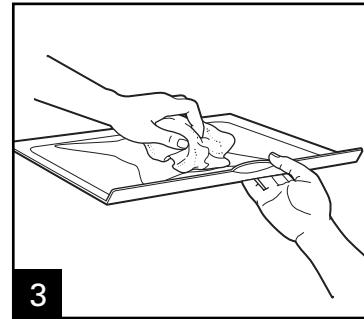
Débrancher et laisser refroidir avant de le nettoyer.



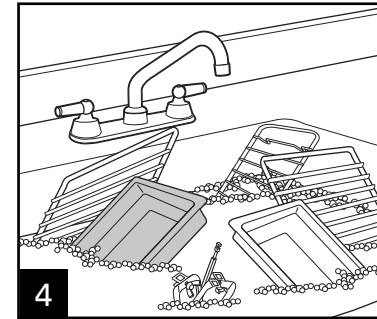
2

Pour le nettoyage intérieur du four, essuyer toutes les parois internes et la porte de verre avec un linge imbibé d'eau savonneuse. Répéter avec un linge propre et humide.

Pour les taches tenaces, utiliser un tampon à récurer en plastique.

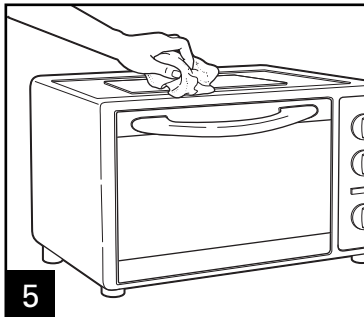


3



4

Le nettoyage manuel et le séchage à l'air libre prolongeront la durée de vie des pièces du four.



5

Essuyer les parois extérieures du four avec un linge humide. Ne pas utiliser de nettoyants abrasifs ou de tampons à récurer.

Rendez-vous sur www.hamiltonbeach.ca pour notre liste complète de produits et de nos manuels utilisateur – ainsi que nos délicieuses recettes et nos conseils !

Conseils et dépannage

Conseils

- Avec l'utilisation du plat de cuisson enduit de céramique noire, la température doit être réglée à 25 degrés (14 °C) de moins que les instructions indiquées de la recette.
- Ne jamais placer de plats de cuisson en verre ou de casserole dans un four de comptoir ou un four grille-pain. Vérifier les directives du fabricant du plat pour obtenir les caractéristiques sécuritaires de cuisson.
- Ne pas recouvrir le ramasse-miettes ou toutes autres pièces du four avec du papier métallique. Ceci provoquera la surchauffe du four. L'utilisation de papier métallique pour couvrir une casserole pendant la cuisson est permise.

SI VOUS HABITEZ DANS UNE RÉGION À HAUTE ALTITUDE :

Les services de vulgarisation offrent les informations au sujet de la cuisson pour votre région. Pour trouver la coopérative de services de vulgarisation, veuillez visiter le site <http://www.csrees.usda.gov/Extension/>.

Dépannage

PROBLÈME	CAUSE POSSIBLE/SOLUTION
Le four ne chauffe pas.	<ul style="list-style-type: none">• Assurer le fonctionnement de la prise murale et le branchement du four. Tourner le sélecteur de température à 180 °C (350 °F), tourner la commande par cadran à « BAKE » (cuisson) puis tourner TIMER (minuterie) à « STAY ON » (continue).
Odeur et fumée émanant du four.	<ul style="list-style-type: none">• La fumée et l'odeur qui se dégagent sont normales au cours de la première utilisation de la plupart des appareils chauffants. Ceci ne devrait pas se répéter au cours des utilisations ultérieures.
Quelques aliments brûlent alors que d'autres ne sont pas cuits.	<ul style="list-style-type: none">• Ajuster la position adéquate de la grille de manière à disposer les aliments au centre du four.• Régler la température du four ou le temps de cuisson pour obtenir des résultats optimaux selon les recettes utilisées.
Le plat de cuisson ne peut se placer sur la grille.	<ul style="list-style-type: none">• Le grand plat de cuisson enduit de céramique noire se glisse directement dans les fentes. Ne pas utiliser pour griller.• Utiliser le petit plat de cuisson et la grille du grill pour griller.• Consulter le chapitre « Pièces et caractéristiques » pour plus de détails au sujet des plats de cuisson et des positions de grille.

Garantie limitée

Cette garantie s'applique aux produits achetés et utilisés aux É.-U. et au Canada. C'est la seule garantie expresse pour ce produit et est en lieu et place de tout autre garantie ou condition.

Ce produit est garanti contre tout défaut de matériaux et de main-d'oeuvre pour une période des cinq (5) ans à compter de la date d'achat d'origine au Canada et un (1) an à compter de la date d'achat d'origine aux É.-U. Au cours de cette période, votre seul recours est la réparation ou le remplacement de ce produit ou tout composant s'avérant défectueux, à notre gré, mais vous êtes responsable de tous les coûts liés à l'expédition du produit et le retour d'un produit ou d'un composant dans le cadre de cette garantie. Si le produit ou un composant n'est plus offert, nous le remplacerons par un produit similaire de valeur égale ou supérieure.

Cette garantie ne couvre pas le verre, les filtres, l'usure d'un usage normal, l'utilisation non conforme aux directives imprimées, ou des dommages au produit résultant d'un accident, modification, utilisation abusive ou incorrecte. Cette garantie s'applique seulement à l'acheteur original ou à la personne l'ayant reçu en cadeau. La présentation du reçu de vente d'origine comme preuve d'achat est nécessaire pour faire une réclamation au titre de cette garantie. Cette garantie s'annule si le produit est utilisé autrement que par une famille ou si l'appareil est soumis à toute tension ou forme d'onde différente des caractéristiques nominales précisées sur l'étiquette (par ex. : 120 V ~ 60 Hz).

Nous excluons toutes les réclamations au titre de cette garantie pour les dommages spéciaux, consécutifs et indirects causés par la violation de garantie expresse ou implicite. Toute responsabilité est limitée au prix d'achat. **Chaque garantie implicite, y compris toute garantie ou condition de qualité marchande ou d'adéquation à un usage particulier, est exonérée, sauf dans la mesure interdite par la loi, auquel cas la garantie ou condition est limitée à la durée de cette garantie écrite.** Cette garantie vous donne des droits légaux précis. Vous pouvez avoir d'autres droits qui varient selon l'endroit où vous habitez. Certaines provinces ne permettent pas les limitations sur les garanties implicites ou les dommages spéciaux ou indirects de telle sorte que les limitations ci-dessus ne s'appliquent peut-être pas à votre cas.

Ne pas retourner cet appareil au magasin lors d'une réclamation au titre de cette garantie. Téléphoner au 1.800.851.8900 aux É.-U. ou au 1.800.267.2826 au Canada ou visiter le site internet www.hamiltonbeach.com aux É.-U. ou www.hamiltonbeach.ca au Canada. Pour un service plus rapide, trouvez le numéro de modèle, le type d'appareil et les numéros de série sur votre appareil.

⚠️ ADVERTENCIA



Peligro de Incendio.

- Si los contenidos se prenden fuego, no abra la puerta del horno. Desenchufe el horno y espere que los contenidos dejen de quemarse y que se enfríen antes de abrir la puerta.
- No haga funcionar sin atención mientras se encuentre en el modo Broil (asar).
- No utilice con bolsas de cocción para horno.
- Siempre deje por lo menos una pulgada entre los alimentos y el elemento calentador.
- Siempre desenchufe la tostadora cuando no la esté usando.
- Una limpieza regular reduce el riesgo de peligro de incendio.

SALVAGUARDIAS IMPORTANTES

Cuando utilice artefactos eléctricos, siempre deben seguirse precauciones de seguridad básicas a fin de reducir el riesgo de incendio, descarga eléctrica, y/o lesiones a personas, incluyendo las siguientes:

1. Lea todas las instrucciones.
2. Este aparato no se destina para utilizarse por personas (incluyendo niños) cuyas capacidades físicas, sensoriales o mentales sean diferentes o estén reducidas, o carezcan de experiencia o conocimiento, a menos que dichas personas reciban una supervisión o capacitación para el funcionamiento del aparato por una persona responsable de su seguridad.
3. Se requiere de una estrecha supervisión cuando el aparato se use cerca de niños. Los niños deben supervisarse para asegurar que ellos no empleen los aparatos como juguete.
4. Verifique que el voltaje de su instalación corresponda con el del producto.
5. No toque superficies calientes. Use manijas o perillas.
6. Para protegerse contra el riesgo de choque eléctrico, no sumerja el cable, el enchufe o el horno eléctrico en agua ni en ningún otro líquido.
7. Desenchúfelo del tomacorriente cuando no lo esté usando y antes de la limpieza. Deje que el aparato se enfríe antes de limpiarlo o de colocar o sacar alguna pieza.
8. No opere ningún aparato con cables o enchufe dañados o después de que el aparato funcione mal o se caiga o dañe de cualquier manera. El reemplazo del cable de suministro y las reparaciones deben ser efectuadas por el fabricante, su agente de servicio, o personas igualmente calificadas para poder evitar un peligro. Llame al número de servicio al cliente proporcionado para información sobre examinación, reparación o ajuste.
9. El uso de accesorios no recomendados por fabricante de electrodomésticos puede causar lesiones.
10. No lo use al aire libre.
11. No deje que el cable cuelgue sobre el borde de una mesa o de un mostrador, o que toque alguna superficie caliente.
12. No coloque el aparato sobre o cerca de un quemador a gas o eléctrico caliente, ni dentro de un horno caliente.
13. Es importante tener extremo cuidado cuando se mueva un aparato eléctrico que contenga aceite caliente u otros líquidos calientes.
14. Para desconectar, coloque todos los controles en la posición de OFF (O/apagado) y luego saque el enchufe del tomacorriente.
15. Tenga mucho cuidado cuando saque la charola o elimine la grasa caliente.

16. No limpie con esponjillas metálicas. La esponjilla se puede desintegrar y los trozos pueden tocar las partes eléctricas, creando un riesgo de choque eléctrico.
17. No introduzca alimentos de tamaño demasiado grande ni utensilios metálicos en el horno eléctrico ya que pueden crear un incendio o riesgo de choque eléctrico.
18. Puede ocurrir un incendio si el horno eléctrico se cubre, toca o se encuentra cerca de materiales inflamables, incluyendo cortinas, colgaduras, paredes y superficies similares cuando esté funcionando. No guarde ningún artículo sobre el aparato cuando esté funcionando, o antes de que se enfríe.
19. Se debe tener mucho cuidado cuando se usan envases que no sean de metal o de vidrio.
20. No guarde ningún material adentro del horno cuando no se use, exceptuando los accesorios recomendados por el fabricante.
21. No coloque ninguno de los siguientes materiales en el horno: papel, cartón, plástico y similares.
22. No cubra la charola de migajas ni ninguna otra parte del horno con papel metálico. Eso hará que el horno se recaliente.
23. Para apagar el horno, coloque el Temporizador en la posición de OFF (O/apagado). Consulte la sección "Piezas y Características".
24. No ponga los ojos o la cara cerca de la puerta de seguridad de vidrio templado, en caso de que el vidrio de seguridad se rompa.
25. Siempre use el aparato con la charola de migajas firmemente en su lugar.
26. No use el aparato eléctrico para ningún otro fin que no sea el indicado.
27. Limpie con cuidado el interior del horno. No raye ni dañe el tubo del elemento de calentamiento.

¡GUARDE ESTAS INSTRUCCIONES!

Información para la Seguridad del Consumidor

Este aparato ha sido diseñado solamente para uso doméstico.

⚠ ADVERTENCIA Peligro de Descarga Eléctrica: Este aparato es provisto con un enchufe polarizado (una pata más ancha) para reducir el riesgo de una descarga eléctrica. El enchufe embona únicamente en una dirección dentro de un tomacorriente polarizado. No trate de obviar el propósito de seguridad del enchufe modificándolo de alguna manera o utilizando un adaptador. Si el enchufe no entra completamente en la toma, invierta el enchufe. Si aún no entra, haga que un electricista reemplace la toma.

El largo del cable que se usa en este aparato fue seleccionado para reducir el peligro de que alguien se enganche o tropiece con un cable más largo. Si es necesario usar un cable más largo, se podrá usar un cable de extensión aprobado. La clasificación eléctrica nominal del cable de extensión debe ser igual o mayor que la clasificación nominal del aparato. Es importante tener cuidado de colocar el cable de extensión para que no se pliegue sobre el mostrador o la mesera en donde niños puedan tirar del mismo o tropezarse accidentalmente.

Este aparato viene equipado con una puerta de seguridad de vidrio totalmente templado. El vidrio templado es cuatro veces más fuerte que el vidrio común y más resistente a las roturas. El vidrio templado se puede romper, sin embargo se rompe en trozos sin bordes filosos. Es importante tener cuidado para evitar rayar la superficie de la puerta o hacer muescas en los bordes. Si la puerta está rayada o tiene muescas, llame a nuestro número gratuito de servicio al cliente. Siempre desenchufe el horno eléctrico del tomacorriente cuando no lo esté usando.

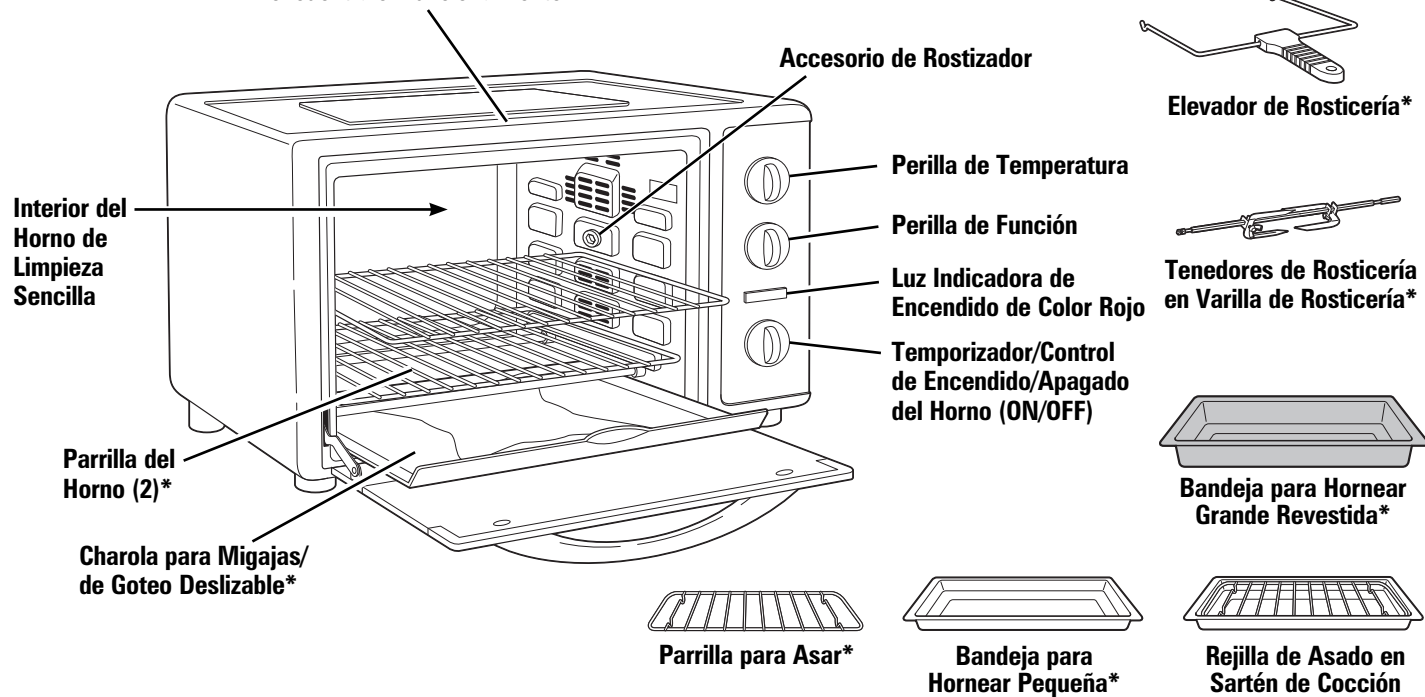
Piezas y Características

*Para ordenar partes:
 EE. UU.: 1.800.851.8900
 www.hamiltonbeach.com
 México: 01 800 71 16 100

⚠ PRECAUCIÓN: SUPERFICIE CALIENTE.
 La temperatura de las superficies accesibles puede ser alta cuando el artefacto se encuentra en funcionamiento.

ANTES DEL PRIMER USO

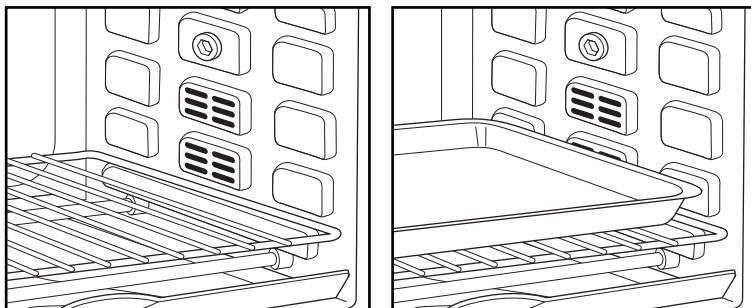
La mayoría de los aparatos calentadores producen olor y/o humo cuando se utilizan por primera vez. Enchufe la unidad en el tomacorriente. Gire la perilla de FUNCIÓN a BAKE (hornear) y gire la perilla de TEMPERATURA a 450 °F (230 °C); luego configure el TEMPORIZADOR en 5 minutos. Deje que el horno se precaliente durante aproximadamente 5 minutos. El olor no debe estar presente después de este precalentamiento inicial. **Lave la bandeja para hornear, estante de asado, y la rejilla del horno antes de usarlos.**



Piezas y Características (cont.)

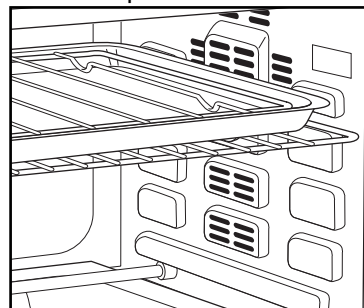
HORNEAR

Coloque los alimentos en el centro del horno. La posición de las parrillas cambia en relación al tamaño de los alimentos.



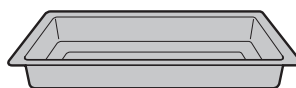
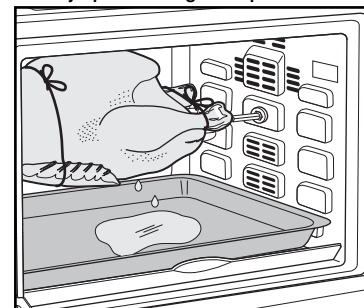
ASAR

Coloque el estante del horno en la posición alta.



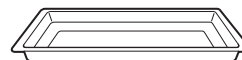
ROSTIZADOR

Quite ambas parrillas del horno. Coloque la bandeja para hornear grande revestida en la posición más baja para recoger salpicaduras.



Bandeja para Hornear Grande Revestida

Se usa esta bandeja en lugar de una parrilla del horno y se coloca en las ranuras de la parrilla.



Bandeja para Hornear Pequeña

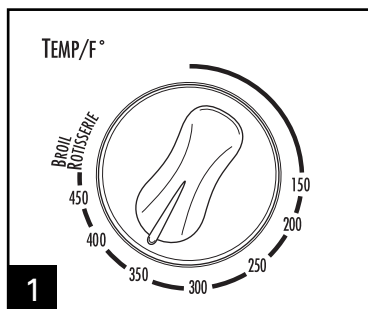
Esta bandeja se usa sobre la parrilla del horno.

Cómo Cocinar

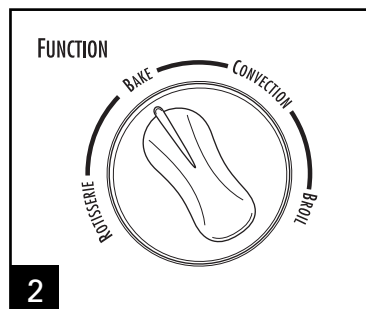
⚠ ADVERTENCIA Riesgo de Fuego.

- Si el contenido prende fuego no abra la puerta del horno. Desconecte el horno y deje que el contenido deje de quemarse y se enfríe antes de abrir la puerta.

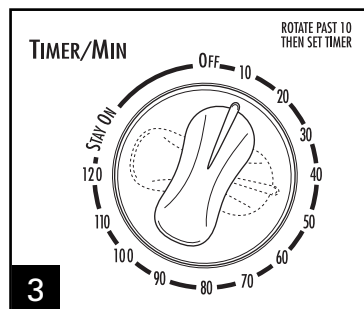
- No use bolsas para cocinar en horno.
- Siempre deje por los menos 1 pulg. (2.5 cm) entre la comida y el elemento de calor.
- Siempre desconecte el horno cuando no esté en uso.



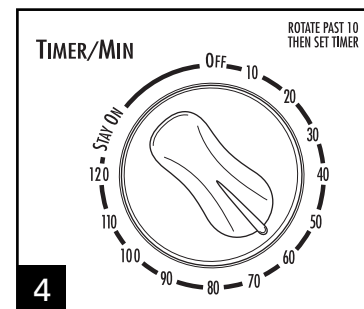
1 Configure la TEMPERATURA: Gire la perilla de temperatura hasta alcanzar la temperatura deseada.



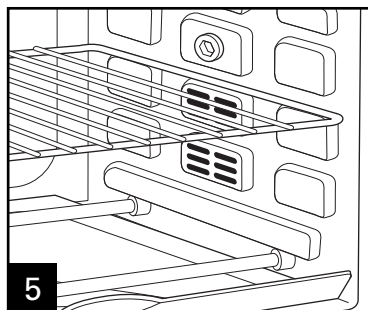
2 Configure la FUNCIÓN en **BAKE** (hornear).



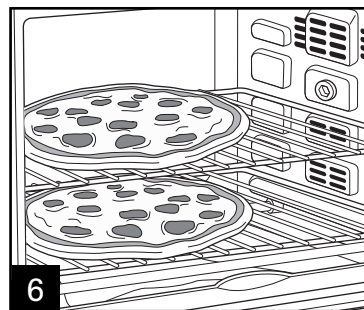
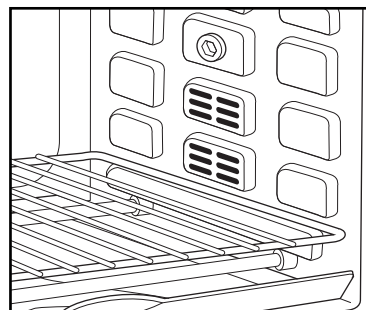
3 **PRECALENTAR:** Gire **TIMER** (temporizador) pasando los 40 minutos, luego vuelva a 10 minutos para precalentar antes de comenzar a hornear.



4 **HORNEAR:** Después de precalentar el horno, gire **TIMER** (temporizador) pasando los 40 minutos y luego hasta el tiempo de horneado deseado o gire **TIMER** (temporizador) a **STAY ON** (dejar encendido).



5 Coloque los alimentos en el centro del horno. La posición de las parrillas cambia en relación al tamaño de los alimentos.



PARA 2 PIZZAS:

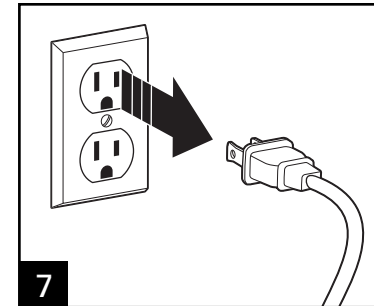
Coloque las parrillas para hornear en la ranura inferior de la parrilla y en la tercera ranura de la parrilla (desde abajo). Precaliente el horno y luego coloque las pizzas en las parrillas para hornear. Cocine las pizzas durante la mitad del tiempo recomendado y luego cambie las posiciones de la bandeja para hornear para que las pizzas se cocinen en forma pareja en las partes superior e inferior.

Cómo Cocinar (cont.)

- No encierre completamente el alimento en papel aluminio. El papel puede aislar el alimento y retardar el calentamiento.
- Para recalentar rollos o bisquets, coloque en el sartén de cocción y caliente a 300°F (149°C) por 10 minutos.
- Recaliente los rostizados o cacerolas a 350°F (177°C) o por 20 a 30 minutos o hasta que esté bien calentado.
- Cocine alimentos tales como pollo entero en el **POSICIÓN BAJA DE LA REJILLA**. Coloque el alimento en la bandeja para hornear.
- Hornos con modo por convección: Cuando hornee pizzas, utilice la configuración por convección y reduzca el tiempo de cocción en 25%.

ALIMENTO	TIEMPOS DE HORNEADO APROX.	TEMPERATURAS INTERNAS	
		F	C
Pechuga de pollo frescat	30 minutos	170°	77°
Filete de pescado	15 minutos	145°	63°

Gire el alimento media vuelta a lo largo del tiempo de cocción.
 Visite foodsafety.gov para más información sobre temperaturas de cocción seguras.

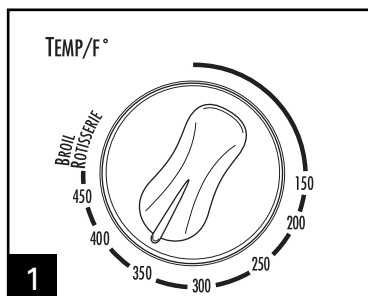


Horneado por Convección

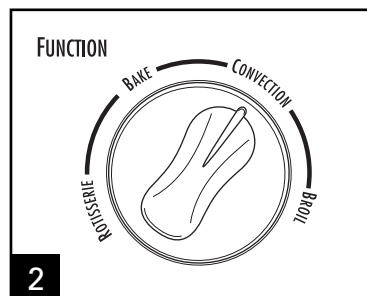
⚠ ADVERTENCIA Riesgo de Fuego.

- Si el contenido prende fuego no abra la puerta del horno. Desconecte el horno y deje que el contenido deje de quemarse y se enfríe antes de abrir la puerta.

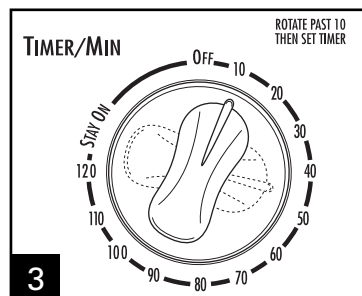
- No use bolsas para cocinar en horno.
- Siempre deje por los menos 1 pulg. (2.5 cm) entre la comida y el elemento de calor.
- Siempre desconecte el horno cuando no esté en uso.



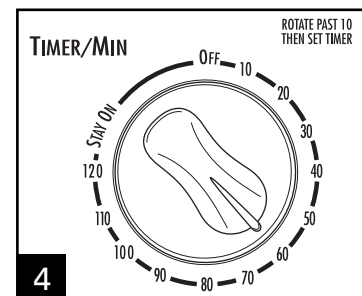
1 Configure la **TEMPERATURA**: Gire la perilla de temperatura hasta alcanzar la temperatura deseada.



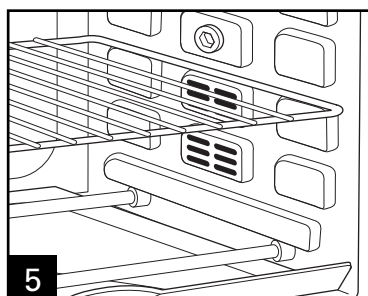
2 Configure la **FUNCIÓN** en **CONVECTION** (convección).



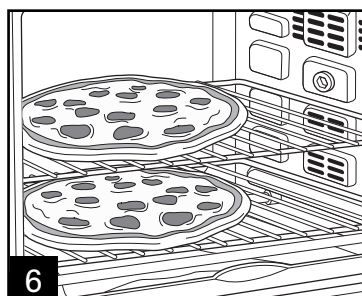
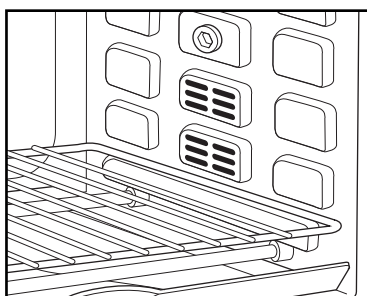
3 **PRECALENTAR:** Gire **TIMER** (temporizador) pasando los 40 minutos, luego vuelva a 10 minutos para precalentar antes de comenzar a hornear.



4 **HORNEAR:** Después de precalentar el horno, gire **TIMER** (temporizador) pasando los 40 minutos y luego hasta el tiempo de horneado deseado o gire **TIMER** (temporizador) a **STAY ON** (dejar encendido).



5 Coloque los alimentos en el centro del horno. La posición de las parrillas cambia en relación al tamaño de los alimentos.



PARA 2 PIZZAS:

Coloque las parrillas para hornear en la ranura inferior de la parrilla y en la tercera ranura de la parrilla (desde abajo). Precaliente el horno y luego coloque las pizzas en las parrillas para hornear. Cocine las pizzas durante la mitad del tiempo recomendado y luego cambie las posiciones de la bandeja para hornear para que las pizzas se cocinen en forma pareja en las partes superior e inferior.

Horneado por Convección (cont.)

CONSEJOS PARA UTILIZAR EL HORNEADO POR CONVECCIÓN

NOTA: El horneado por convección hace circular el aire dentro del horno, por lo que los alimentos se cocinan más rápido que con el configuración de horneado convencional.

- Hornos con modo por convección: Cuando hornee pizzas, utilice la configuración por convección y reduzca el tiempo de cocción en 25%.

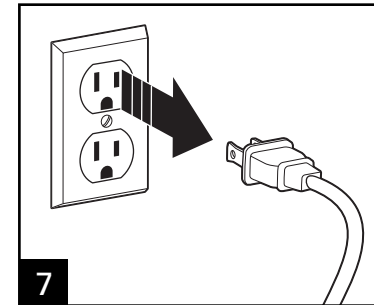
- Hornee con la misma temperatura del horno pero por un período de tiempo más corto.

○

- Hornee por el mismo período de tiempo que con la configuración de horneado convencional, pero reduzca la temperatura en alrededor de 25 grados (14°C).

○

- Hornee por un período de tiempo un poco menor Y con una temperatura reducida.



Gire el alimento media vuelta a lo largo del tiempo de cocción.

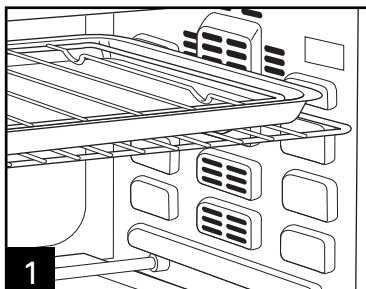
Visite foodsafety.gov para más información sobre temperaturas de cocción seguras.

Cómo Asar

⚠ ADVERTENCIA Riesgo de Fuego.

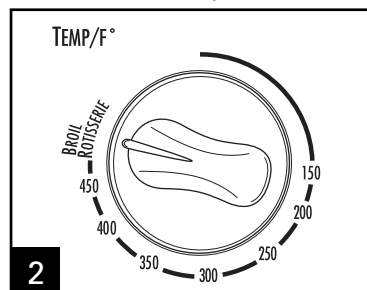
- Si el contenido prende fuego no abra la puerta del horno. Desconecte el horno y deje que el contenido deje de quemarse y se enfríe antes de abrir la puerta.
- No deje el horno desatendido mientras está en operación.

- No use bolsas para cocinar en horno.
- Siempre deje por los menos 1 pulgada (2.5 cm) entre la comida y el elemento de calor.
- No caliente la comida en contenedores de plástico.
- Siga las instrucciones del fabricante del alimento.



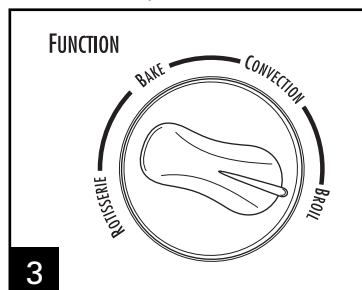
1

Utilice una bandeja para hornear pequeña para lograr mejores resultados. Coloque los alimentos directamente en la bandeja para hornear pequeña o en la parrilla para asar dentro de la bandeja para hornear pequeña. Coloque en el horno. **NO PRECALIENTE EL HORNO.**



2

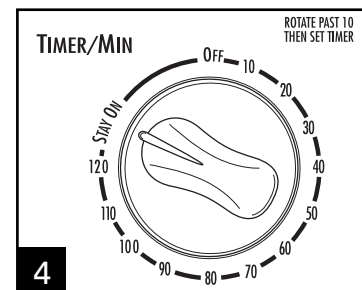
Configure la **TEMPERATURA**: Gire la perilla de temperatura a **BROIL/ROTISSERIE** (asar/rostitador).



3

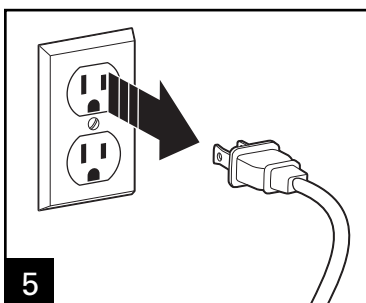
Configure la **FUNCIÓN** en **BROIL** (asar).

NOTA: Sólo los elementos calentadores superiores se hallarán activados en el modo **BROIL** (asar).



4

ASAR: Gire el temporizador pasando los 40 minutos y luego configure con el tiempo deseado de asado o gire el temporizador a **STAY ON** (dejar encendido). Gire los alimentos cuando se hayan dorado o en la mitad del tiempo de cocción.



5

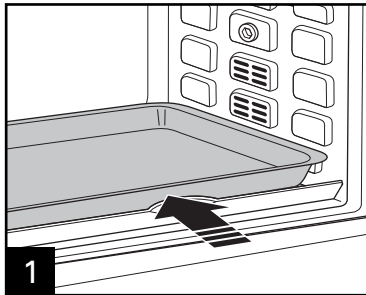
ALIMENTO	TIEMPO DE ASADO APROX.	TEMPERATURAS INTERNAS	
		F	C
Hamburguesa de ¼ lb. (114 g)	25 minutos	165°	73°
Filete – Grosor de 1" (2.5 cm)	30 minutos	140° jugoso	60°
	35 minutos	160° medio	71°
	40 minutos	170° bien cocido	77°

Gire el alimento media vuelta a lo largo del tiempo de cocción. Visite foodsafety.gov para más información sobre temperaturas de cocción seguras.

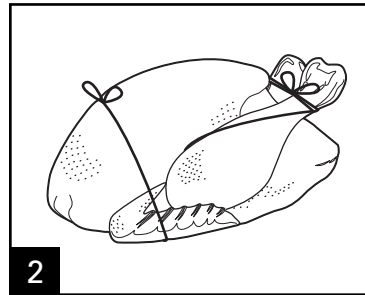
Cocción con Rostizador

⚠ ADVERTENCIA Riesgo de Fuego.
 • Si el contenido prende fuego no abra la puerta del horno. Desconecte el horno y deje que el contenido deje de quemarse y se enfríe antes de abrir la puerta.

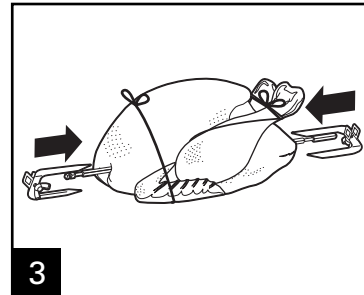
- No use bolsas para cocinar en horno.
- Siempre deje por los menos 1 pulg. (2.5 cm) entre la comida y el elemento de calor.
- Siempre desconecte el horno cuando no esté en uso.



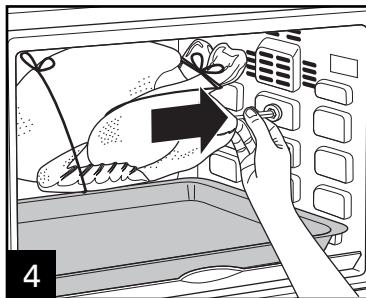
1 Deslice la bandeja para hornear grande revestida en la posición de parrilla más baja.



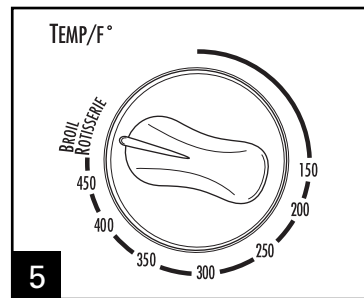
2 Ate firmemente el pollo y los trozos grandes de carne con cordel de algodón para que la carne no toque la bandeja de horneado. Busque "Cómo Atar un Pollo para Rostizador" en Internet para obtener instrucciones.



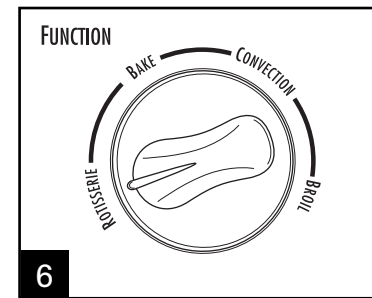
Inserte la varilla de rosticería en el centro de la carne.
 Coloque los tenedores de rosticería en la varilla con los tenedores insertados en la parte inferior del pollo. Centre la carne a lo largo en la varilla.
 Apriete los tornillos en los tenedores de rosticería.



4 Introduzca manualmente el extremo con punta de la varilla en el accesorio de rostizador sobre el lado derecho del horno, girando la varilla si fuera necesario para que entre. Coloque el extremo cuadrado de la varilla dentro de la ranura del soporte sobre el lado izquierdo.

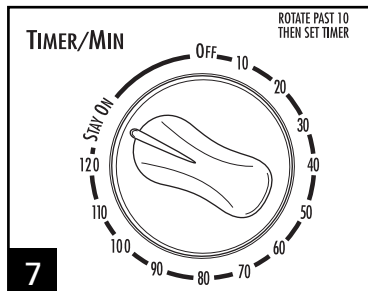


5 Configure la TEMPERATURA: Gire la perilla de temperatura a **BROIL/ROTISSERIE** (asar/rostizador).



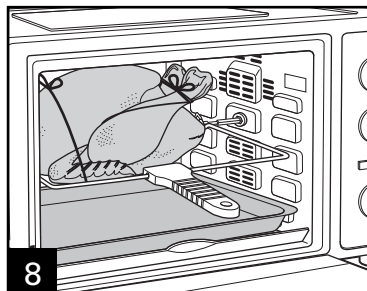
6 Configure la FUNCIÓN en **ROTISSERIE** (rostizador).

Cocción con Rostizador (cont.)



7

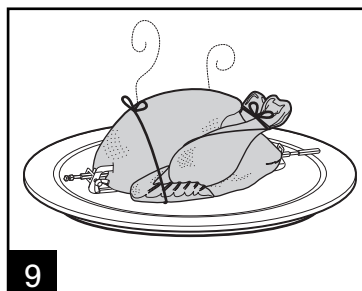
HORNEAR: Gire **TIMER** (temporizador) pasando los 40 minutos; luego configure **TIMER** (temporizador) con el tiempo deseado o gire **TIMER** (temporizador) a **STAY ON** (dejar encendido). **NOTA:** Sólo los elementos calentadores superiores se hallarán activados en el modo **ROTISSERIE** (rostizador).



8

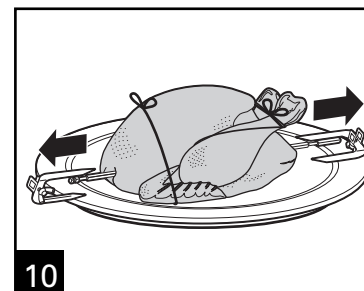
Para sacar la carne cocida del horno, coloque el elevador de rosticería con los ganchos debajo de la varilla de rosticería. Levante y deslice la varilla de rosticería hacia la izquierda y sáquela del horno.

⚠ PRECAUCIÓN Peligro de Quemaduras: Evite el contacto con la parte interna del horno.



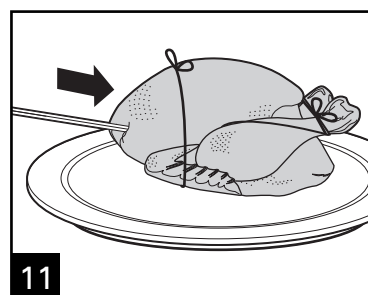
9

Coloque la carne sobre una superficie limpia para enfriarla ligeramente.



10

Usando guantes de cocina, desenrosque los tenedores del rostizador de la varilla del rosticería.



11

Visite foodsafety.gov para más información sobre temperaturas de cocción seguras.

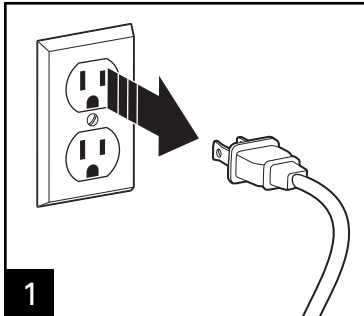
ALIMENTO	TIEMPOS DE HORNEADO APROX.	TEMPERATURAS INTERNAS	
		F	C
3-3.5-lb. (1.4-1.5 kg) Asado de cerdo	1 hr. 30 min.	165° medio	73°
	2 horas	185° bien cocido	85°
3-3.5-lb. (1.4-1.5 kg) Asado de carne de res	1-1 hr. 15 min.	140° jugoso	60°
	1 hr. 30 min.	160° medio	71°
	1 hr. 45 min.	170° bien cocido	77°
5-lb. (2.3 kg) Pollo	2 horas	165° muslo	73°

Limpieza

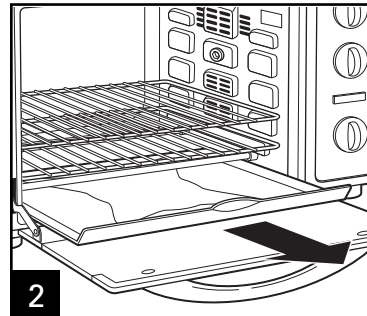
⚠ ADVERTENCIA Peligro de Descarga Eléctrica.

No limpie con estropajos metálicos. Las piezas pueden romper la almohadilla y tocar partes eléctricas.

Su horno debe limpiarse regularmente para un mejor desempeño y una larga vida. La limpieza regular también reducirá el riesgo de fuego.

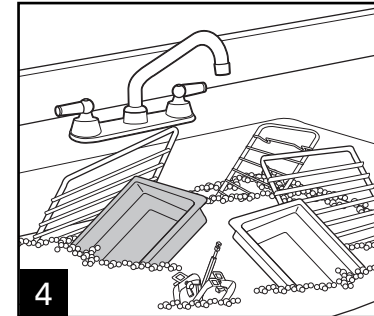
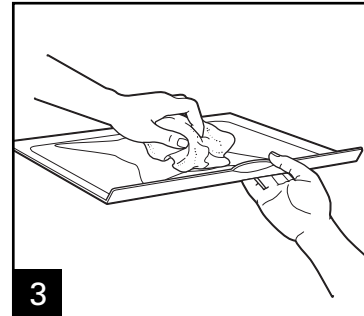


Desenchufe y deje que se enfríe antes de limpiarlo.

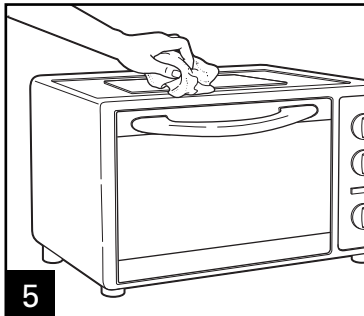


Para limpiar el interior del horno, limpie las paredes, parte inferior del horno y puerta de vidrio con un trapo húmedo y jabonoso. Repita con un trapo húmedo y limpio.

Para manchas persistentes, use un estropajo de plástico.



Lavar y secar las piezas del horno a mano prolongará su vida útil.



Limpie la parte exterior del horno con un trapo húmedo. No use limpiadores abrasivos o estropajos de metal.

¡Visite www.hamiltonbeach.com.mx para ver otros productos de Hamilton Beach o para contactarnos!

Consejos y Resolviendo Problemas

Consejos

- Cuando utilice la bandeja para hornear negra revestida con cerámica, la temperatura debe configurarse en 25 grados (14°C) menos que las instrucciones indicadas en la receta.
- Nunca coloque bandejas para hornear de vidrio o recipientes de vidrio para guisos en un horno para mostrador u horno tostador. Consulte las instrucciones del fabricante sobre la clasificación de seguridad del horno.
- No cubra la charola para migajas o cualquier otra parte del horno con papel metálico. Esto provocará el sobrecalentamiento del horno. Resulta aceptable utilizar papel metálico para cubrir un guiso durante la cocción.

SI USTED VIVE EN UNA ÁREA DE ALTITUD ELEVADA:

El servicio de extensión tendrá información detallada sobre cocción en su área. Para ubicar el servicio de extensión cooperativa en su condado, tenga a bien visitar la siguiente página:
<http://www.csrees.usda.gov/Extension/>.

Resolviendo Problemas

PROBLEMA	CAUSA PROBABLE/SOLUCIÓN
El horno no calienta.	<ul style="list-style-type: none">• Revise para asegurarse que la toma eléctrica esté funcionando y el horno esté conectado. Gire la perilla de Temperatura a 350°F (180°C), gire la perilla de Función a BAKE (cocinar), luego gire TIMER (temporizador) a STAY ON (dejar encendido).
Sale un olor o humo del horno.	<ul style="list-style-type: none">• El humo y olor es normal durante el primer uso de la mayoría de los aparatos con calor. Esto no estará presente después del periodo inicial de calentamiento.
Algunos alimentos se queman y algunas no se cocinan.	<ul style="list-style-type: none">• Ajuste la posición de la rejilla del horno para centrar el alimento en el horno.• Ajuste la temperatura del horno o tiempo de cocción para mejores resultados con sus recetas.
La bandeja para hornear no entra en la parrilla.	<ul style="list-style-type: none">• La bandeja para hornear grande negra revestida con cerámica entra directamente en las ranuras. No la utilice para asar.• Para asar, utilice la bandeja para hornear pequeña y la parrilla para asar.• Consulte la sección "Piezas y Características" para más detalles sobre las bandejas para hornear y las posiciones de las parrillas.

Notas

Notas



Grupo HB PS, S.A. de C.V.
Monte Elbruz 124-301
Colonia Palmitas, Delegación Miguel Hidalgo
C.P. 11560, México, Distrito Federal
01 800 71 16 100

PÓLIZA DE GARANTÍA

PRODUCTO:	MARCA:		MODELO:
Grupo HB PS, S.A. de C.V. cuenta con una Red de Centros de Servicio Autorizada, por favor consulte en la lista anexa el nombre y dirección de los establecimientos en la República Mexicana en donde usted podrá hacer efectiva la garantía, obtener partes, componentes, consumibles y accesorios; así como también obtener servicio para productos fuera de garantía. Para mayor información llame sin costo: Centro de Atención al consumidor: 01 800 71 16 100			
Grupo HB PS, S.A. de C.V. le otorga a partir de la fecha de compra: GARANTÍA DE 1 AÑO.			
COBERTURA			
<ul style="list-style-type: none">• Esta garantía ampara, todas las piezas y componentes del producto que resulten con defecto de fabricación incluyendo la mano de obra.• Grupo HB PS, S.A. de C.V. se obliga a reemplazar, reparar o reponer, cualquier pieza o componente defectuoso; proporcionar la mano de obra necesaria para su diagnóstico y reparación, todo lo anterior sin costo adicional para el consumidor.• Esta garantía incluye los gastos de transportación del producto que deriven de su cumplimiento dentro de su red de servicio.			
LIMITACIONES			
<ul style="list-style-type: none">• Esta garantía no ampara el reemplazo de piezas deterioradas por uso o por desgaste normal, como son: cuchillas, vasos, jarras, filtros, etc.• Grupo HB PS, S.A. de C.V. no se hace responsable por los accidentes producidos a consecuencia de una instalación eléctrica defectuosa, ausencia de toma de tierra, clavija de enchufe en mal estado, etc.			
EXCEPCIONES			
Esta garantía no será efectiva en los siguientes casos: <ul style="list-style-type: none">a) Cuando el producto se hubiese utilizado en condiciones distintas a las normales. (Uso industrial, semi-industrial o comercial.)b) Cuando el producto no hubiese sido operado de acuerdo con el instructivo de uso.c) Cuando el producto hubiese sido alterado o reparado por personas no autorizadas por Grupo HB PS, S.A. de C.V. el fabricante nacional, importador o comercializador responsable respectivo. El consumidor puede solicitar que se haga efectiva la garantía ante la propia casa comercial donde adquirió su producto, siempre y cuando Grupo HB PS, S.A. de C.V. no cuente con talleres de servicio.			

PROCEDIMIENTO PARA HACER EFECTIVA LA GARANTÍA

- Para hacer efectiva la garantía no deben exigirse mayores requisitos que la presentación del producto y la póliza correspondiente, debidamente sellada por el establecimiento que lo vendió.
- Para hacer efectiva la garantía, lleve su aparato al Centro de Servicio Autorizado más cercano a su domicilio (consulte la lista anexa).
- Si no existe Centro de Servicio Autorizado en su localidad llame a nuestro Centro de Atención al Consumidor para recibir instrucciones de como hacer efectiva su garantía.
- El tiempo de reparación, en ningún caso será mayor de 30 días naturales contados a partir de la fecha de recepción del producto en nuestros Centros de Servicio Autorizados.
- En caso de que el producto haya sido reparado o sometido a mantenimiento y el mismo presente deficiencias imputables al autor de la reparación o del mantenimiento dentro de los treinta días naturales posteriores a la entrega del producto al consumidor, éste tendrá derecho a que sea reparado o mantenido de nuevo sin costo alguno. Si el plazo de la garantía es superior a los treinta días naturales, se estará a dicho plazo.
- El tiempo que duren las reparaciones efectuadas al amparo de la garantía no es computable dentro del plazo de la misma. Cuando el bien haya sido reparado se iniciará la garantía respecto de las piezas repuestas y continuará con relación al resto. En el caso de reposición del bien deberá renovarse el plazo de la garantía.

FECHA DE ENTREGA	SELLO DEL VENDEDOR	QUEJAS Y SUGERENCIAS
DÍA__ MES__ AÑO__		Si desea hacer comentarios o sugerencias con respecto a nuestro servicio o tiene alguna queja derivada de la atención recibida en alguno de nuestros Centros de Servicio Autorizados, por favor dirigirse a: GERENCIA INTERNACIONAL DE SERVICIO 01 800 71 16 100 Email: mexico.service@hamiltonbeach.com.mx

RED DE CENTROS DE SERVICIO AUTORIZADA GRUPO HB PS, S.A. DE C.V.

Distrito Federal

ELECTRODOMÉSTICOS
Av. Plutarco Elias Cailles No. 1499
Zacahuitzco MEXICO 09490 D.F.
Tel: 01 55 5235 2323 • Fax: 01 55 5243 1397

CASA GARCIA
Av. Patriotismo No. 875-B
Mixcoac MEXICO 03910 D.F.
Tel: 01 55 5563 8723 • Fax: 01 55 5615 1856

Nuevo Leon

FERNANDO SEPULVEDA REFACCIONES
Ruperto Martínez No. 238 Ote.
Centro MONTERREY, 64000 N.L.
Tel: 01 81 8343 6700 • Fax: 01 81 8344 0486

Jalisco

SERVICIOS DE MANTENIMIENTO CASTILLO
Garibaldi No. 1450
Ladrón de Guevara
GUADALAJARA 44660 Jal.
Tel: 01 33 3825 3480 • Fax: 01 33 3826 1914

Chihuahua

DISTRIBUIDORA TURMIX
Av. Paseo Triunfo de la Rep. No. 5289 Local 2 A.
Int. Hipermart
Alamos de San Lorenzo
CD. JUAREZ 32340 Chih.
Tel: 01 656 617 8030 • Fax: 01 656 617 8030

Modelos:
31100, 31100C, 31103,
31104, 31105

Tipo:
O51

Características Eléctricas:
120 V~ 60 Hz 1500 W

Los modelos incluidos en el instructivo de Uso y Cuidado pueden ir seguidos o no por un sufijo correspondiente a una o varias letras del alfabeto y sus combinaciones, separadas o no por un espacio, coma, diagonal, o guión. Como ejemplos los sufijos pueden ser: "Y" y/o "MX" y/o "MXY" y/o "Z".