

Owner's Manual

SmartOnline®

Single-Phase Rackmount Online UPS Systems with Built-in LCD Monitoring & Control Screen

Not suitable for mobile applications.

SUINT1000LCD2U
(Series Number: AGPS8294)

SUINT1500LCD2U
(Series Number: AGPS8295)

SUINT2200LCD2U
(Series Number: AGPS7958)

SUINT3000LCD2U
(Series Number: AGPS7959)

SU3000LCD2UHV
(Series Number: AGPS8296)

1. Overview	2	7. Operations	10
Parts List	2	LCD Front-Panel Display and Controls	10
Additional Accessory Options	2	Front Panel Button Functions	11
Model Specific Accessories	2	Home Screen Layout	11
2. Important Safety Instructions	2	Power Strategy Selection Options	12
3. UPS Circuit Block Diagram	3	Front Panel LCD Selection and Configuration Options	14
4. Installation	4	Configuring External Battery Packs	17
Rack Mounting	4	8. Optional Connections	19
Tower Mounting	5	9. Troubleshooting and Event Log	22
5. Basic Connections and Start-Up	6	10. Internal Battery Replacement	24
Quick Start Guide	6	11. Storage and Service	25
6. Features	8	12. Product Registration	26
Front Panel Controls, LEDs and LCD Screen	8	Español	27
Rear Panel Features	8	Français	53
		Русский	79
		Deutsch	105

Quick
Start Guide—
Page 6

NOTE: External battery pack options require configuration using front panel LCD interface or via Tripp Lite's EXTERNAL BATTERY CONFIGURATION software.

PROTECT YOUR INVESTMENT!

Register your product for quicker service and ultimate peace of mind.

You could also win an ISOBAR6ULTRA surge protector—a \$100 value!

www.tripplite.com/warranty



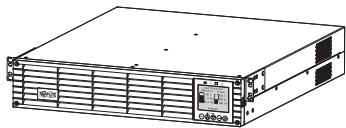
1111 W. 35th Street, Chicago, IL 60609 USA • www.tripplite.com/support

Copyright © 2016 Tripp Lite. All rights reserved. SmartOnline® is a trademark of Tripp Lite. For latest updates, please visit www.tripplite.com

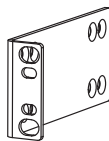
Overview

Tripp Lite SmartOnline Rackmount UPS Systems with interactive LCD interface feature online, double-conversion UPS protection with full-time sinewave output and zero transfer time suitable for all advanced networking applications. Each system provides long running battery support with optional extended-run and Web communications ability. Built-in interfaces include USB, RS-232 serial and Emergency Power Off (EPO). The interactive front panel LCD screen provides detailed UPS status, preset and control options. Optional max efficiency and auto-adaptive power strategy options enable high-efficiency operation with reduced power consumption and BTU heat output.

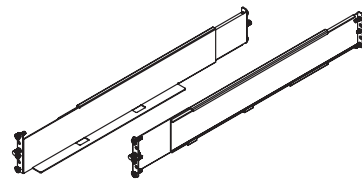
Parts List



UPS System



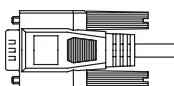
Bolt-on Mounting Ears (2)



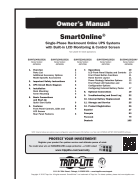
4-Post Rail Kit



USB Cable



RS-232 Cable



Owner's Manual

Additional Accessories (All Models; Optional)*

- SNMPWEBCARD: Internal network interface card for SNMP/Web control and monitoring
- WEBCARDLX: Web Management Accessory Card
- 2POSTRMKITWM: Supports rackmount UPS and battery packs in 2-post rackmount or wall-mount configurations
- 2-9USTAND: Supports rackmount UPS and battery packs in upright tower configuration

* Select models are also shipped with optional Input/Output adapter cables.

Model Specific Accessories (Optional)*

UPS Model	SUINT1000LCD2U	SUINT1500LCD2U	SUINT2200LCD2U	SUINT3000LCD2U / SU3000LCD2UHV
"SMART" External Battery Packs**	BP24V36-2US	BP36V27-2US	BP48V27-2US	BP72V18-2US
"NON-SMART" External Battery Packs**	BP24V15RT2U (limit 1) BP24V28-2U (limit 1) BP24V70-3U	BP36V15-2U (limit 1) BP36V42-3U	BP48V24-2U (limit 1) BP48V60RT3U	BP72V15 (limit 1) BP72V28RT3U

*Visit the specification page for your UPS system at www.tripplite.com for detailed extended runtime data and additional accessory options.

** For External battery configuration, see the **Operations** section for options and configuration method. SMART battery packs are automatically detected by the UPS.

Important Safety Instructions



SAVE THESE INSTRUCTIONS

This manual contains instructions and warnings that should be followed during the installation, operation and storage of all Tripp Lite UPS Systems. Failure to heed these warnings may affect your warranty.

UPS Location Warnings

- Install your UPS indoors, away from excess moisture or heat, conductive contaminants, dust or direct sunlight.
- For best performance, keep the indoor temperature between 0° C and 40° C.
- Leave adequate space around all sides of the UPS for proper ventilation.
- **Do not mount unit with its front or rear panel facing down (at any angle). Mounting in this manner will seriously inhibit the unit's internal cooling, eventually causing product damage not covered under warranty.**

Important Safety Instructions



UPS Connection Warnings

- Connect your UPS directly to a properly grounded AC power outlet. Do not plug the UPS into itself; this will damage the UPS.
- Do not modify the UPS's plug, and do not use an adapter that would eliminate the UPS's ground connection.
- Do not use extension cords to connect the UPS to an AC outlet. Your warranty will be voided if anything other than Tripp Lite surge protectors are used to connect your UPS to an outlet.
- If the UPS receives power from a motor-powered AC generator, the generator must provide clean, filtered, computer-grade output.
- The mains socket outlet that supplies the UPS should be near the UPS and be easily accessible.
- To remove AC voltage from the UPS, pull the plug from the socket outlet.

Equipment Connection Warnings

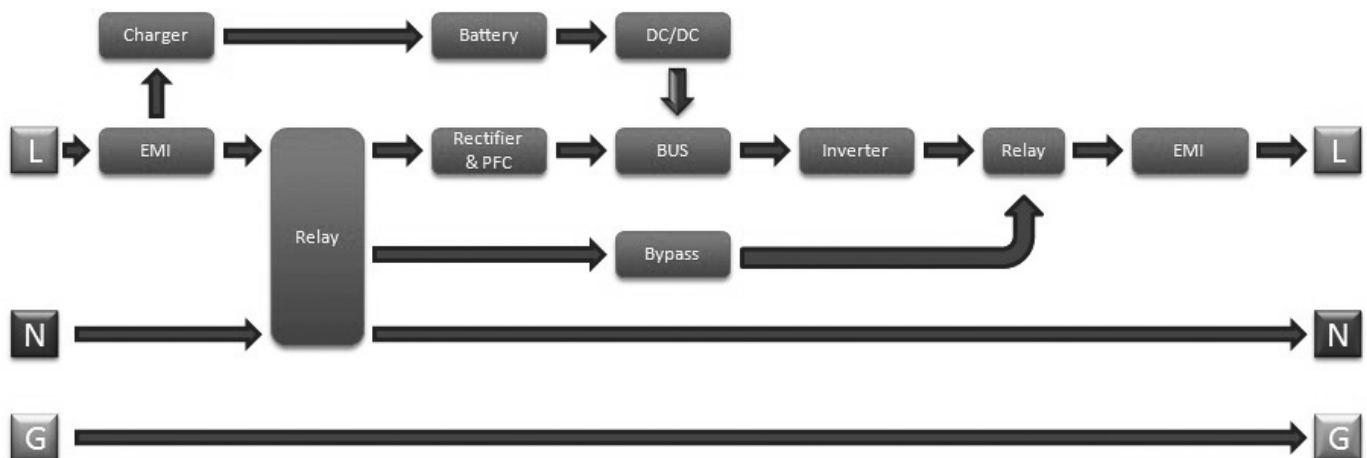
- Use of this equipment in life support applications where failure of this equipment can reasonably be expected to cause the failure of the life support equipment or to significantly affect its safety or effectiveness is not recommended.
- Do not connect surge protectors or extension cords to the output of your UPS. This might damage the UPS and may affect the surge protector and UPS warranties.
- Connect the UPS to an outlet that is adequately protected against excess currents, short circuits and earth faults, as part of the building installation. The outlet protection for the UPS should be in series with the mains input.
- To reduce the risk of fire, connect only to a circuit that has branch circuit over current protection with an ampere rating in accordance with the National Electrical Code® (NEC®), ANSI/NFPA 70 or your local electrical code. In Europe, the circuit breaker must meet the IEC/EN 60934 standard and have a contact air gap of at least 3 mm. The recommended circuit breaker rating for building installation is 240V/20A and must meet the rated short circuit capacity of at least 1 KA.

Battery Warnings

- Batteries can present a risk of electrical shock and burn from high short-circuit current. Observe proper precautions. Do not dispose of the batteries in a fire. Do not open the UPS or batteries. Do not short or bridge the battery terminals with any object. Unplug and turn off the UPS before performing battery replacement. Use tools with insulated handles. There are no user-serviceable parts inside the UPS. Battery replacement should be performed only by authorized service personnel using the same number and type of batteries (Sealed Lead-Acid). The batteries are recyclable. Refer to your local codes for disposal requirements or visit www.tripplite.com/UPSbatteryrecycling for recycling information. Tripp Lite offers a complete line of UPS System Replacement Battery Cartridges (R.B.C.). Visit Tripp Lite on the Web at www.tripplite.com/support/battery/index.cfm to locate the specific replacement battery for your UPS.

Note: For External battery configuration, see the **Operations** section for options and configuration method. SMART BATTERY PACKS are automatically detected by the UPS.

UPS Circuit Block Diagram



Installation

Rack Mounting

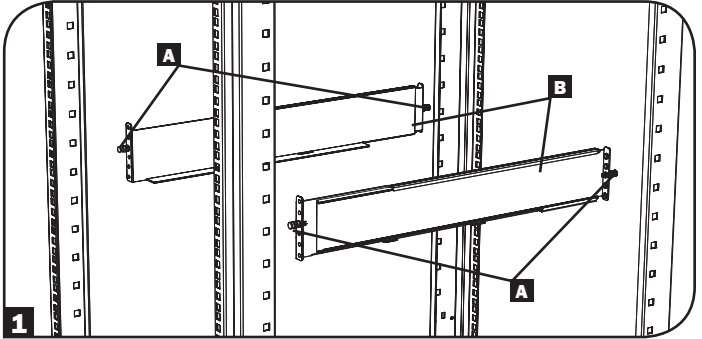
Mount your equipment in either a 4-post or 2-post rack or rack enclosure. The user must determine the fitness of hardware and procedures before mounting. If hardware and procedures are not suitable for your application, contact the manufacturer of your rack or rack enclosure. The procedures described in this manual are for common rack and rack enclosure types and may not be appropriate for all applications.

4-Post Mounting

- 1 The included plastic pegs **A** will temporarily support the empty rackmount shelves **B** while you install the permanent mounting hardware. Insert a peg into the third hole from the top on the front end of each bracket. On the rear end, insert a peg into the center hole. (Each front bracket has 6 holes and each rear bracket has 5 holes.) The pegs will snap into place.

After installing the pegs, expand each shelf to match the depth of your rack rails. The pegs will fit through the square holes in the rack rails to support the shelves. Refer to the rack unit labels to confirm that the shelves are level in all directions.

Note: The support ledge of each shelf must face inward.

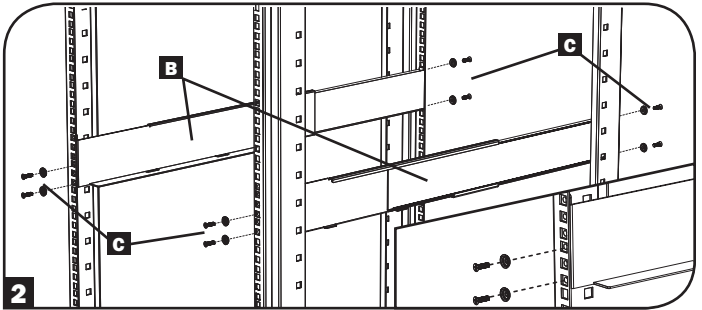


- 2 Remove the pegs at the front end of each bracket. Secure the shelves **B** to the mounting rails permanently using the included screws and cup washers **C** as shown. Place 2 screws at the front of each rail (4 total) and 2 screws at the back of each rail (4 total). Tighten all screws before proceeding.

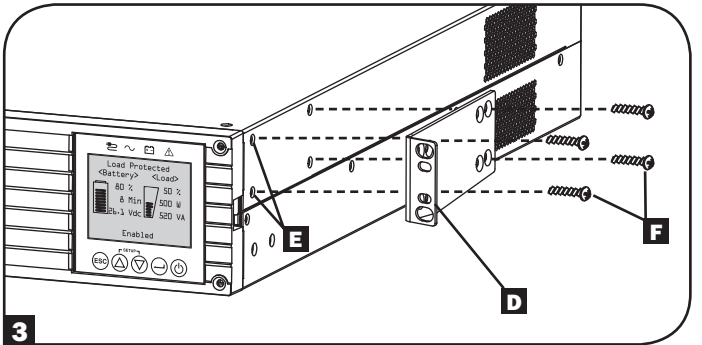
Note: The rear pegs can be left in for installation, but the front ones must be removed before the bracket is secured by screws.

WARNING!

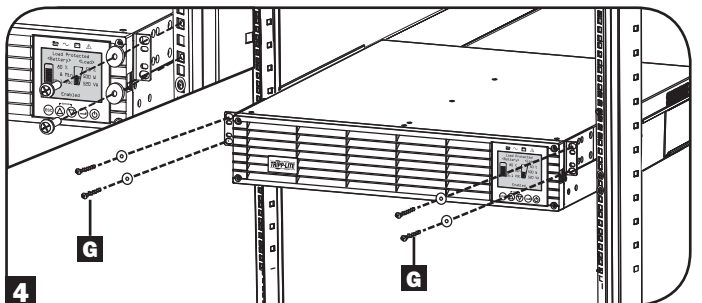
Do not attempt to install your UPS until you have inserted and tightened the required screws. The plastic pegs will not support the weight of your UPS.



- 3 Attach your UPS's mounting brackets **D** to the forward mounting holes **E** of the UPS using the included hardware **F**. The mounting bracket "ears" should face forward.



- 4 With the aid of an assistant (if necessary), lift your UPS and slide it into the shelves. Attach the UPS mounting brackets to the forward mounting rails with user-supplied screws and washers **G**. Tighten all screws securely.



2-Post Mounting

If you mount 2U UPS models in 2-post racks, they require the addition of a Tripp Lite 2-Post Rackmount Installation Kit (model: 2POSTRMKITWM, sold separately). See Installation Kit owner's manual for installation procedure.

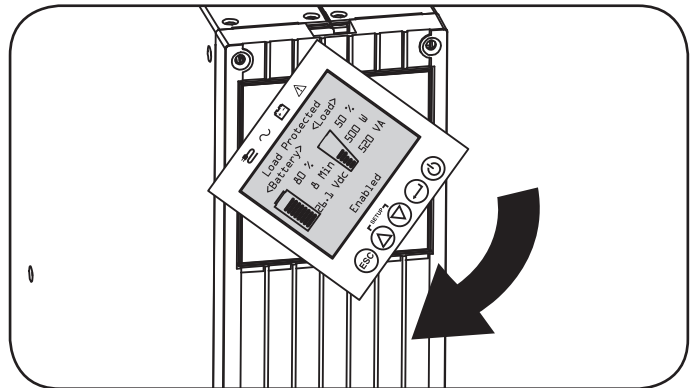
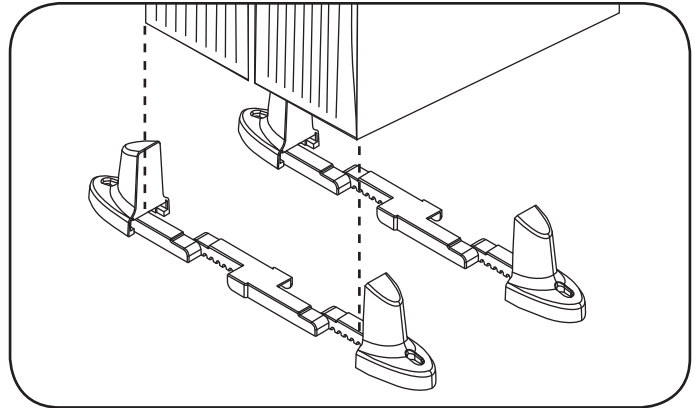
Installation

Tower Mounting

Your UPS can be mounted in an upright tower position with optional base stands sold separately by Tripp Lite (model: 2-9USTAND). When mounting the UPS on adjustable base stands, make sure that the control panel is toward the top. The control panel may be rotated to make it easier to read. Remove the 4 front screws from the front panel and take it off. Pinch the tabs located on the sides of the LCD panel, and then rotate it. Replace the front panel and secure it. Front panel setup should be operated by service personnel only.

WARNING!

All UPS systems are extremely heavy. Use caution when lifting and mounting. User must properly stabilize the UPS when lifting and mounting.



UPS Model	SUINT1000LCD2U	SUINT1500LCD2U	SUINT2200LCD2U	SUINT3000LCD2U / SU3000LCD2UHV
UPS Dimensions (H x W x D)	8.6 x 43.8 x 39.6 cm	8.6 x 43.8 x 49.6 cm	8.6 x 43.8 x 49.6 cm	8.6 x 43.8 x 61.6 cm

Operating Altitude: 0 to 3000 m

EXTERNAL BATTERY CONFIGURATION NOTE

If external battery packs are to be used with this UPS, install them following the mounting/installation documentation included with each battery pack. External battery pack installation requires the UPS be configured one of two ways:

1. Via the UPS front panel LCD interface
2. Via Tripp Lite's EXTERNAL BATTERY CONFIGURATION software

This UPS is factory programmed with discharge curves and charging profiles for external battery pack configurations accessible using the UPS front panel LCD interface. Additional battery pack options using larger or multiple external battery packs are also supported, but require configuration using Tripp Lite's EXTERNAL BATTERY CONFIGURATION software and a serial port connection to the UPS.

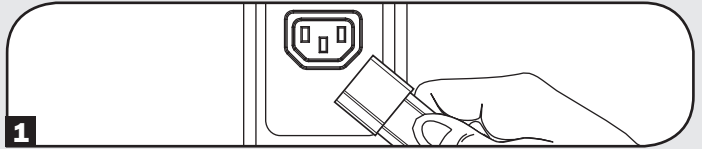
Basic Connection and Start-Up

Quick Start Guide - First Time UPS Power-On

1 Plug your UPS line cord into an electrical outlet

Your UPS must be connected to a dedicated circuit of sufficient amperage.

Refer to the rating table labelled on the UPS for more details.

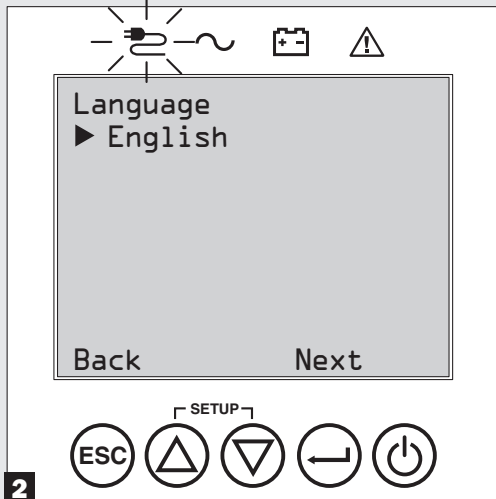


2 Select your Language

When your UPS is plugged in for the first time, the INPUT AC LED will light up and the front panel LCD screen will request a language selection.

Using the UP / DOWN buttons (▲▼), select your language preference, then press the NEXT (→) button.

The interface will confirm your selection and provide options to go back (press BACK (ESC)) or to go to the next step (press NEXT (→)).

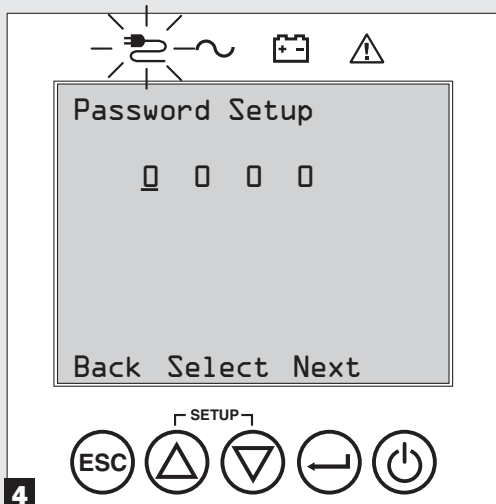


4 Select your Password

Next, the UPS will prompt you to pick the desired PASSWORD.

Using the UP / DOWN (▲▼) buttons, select the first digit of your desired password and press the NEXT (→) button to advance to the second digit. Repeat for digits 2 through 4.

Note: To quickly set the password to "0 0 0 0" press the NEXT button 4 times.

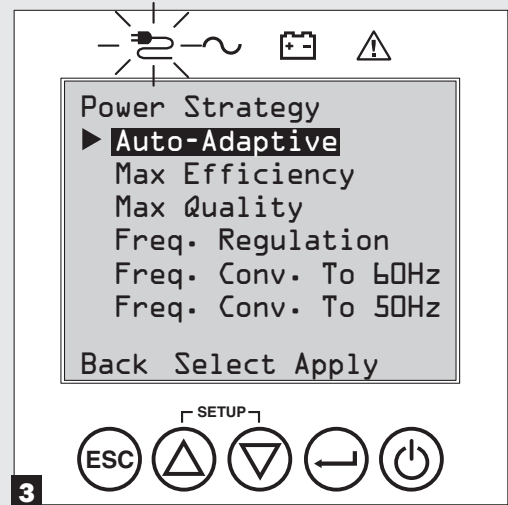


3 Select your Power Strategy

Next, the UPS will prompt you to pick the desired POWER STRATEGY.

Using the UP / DOWN (▲▼) buttons, select your POWER STRATEGY preference and press the APPLY (→) button.

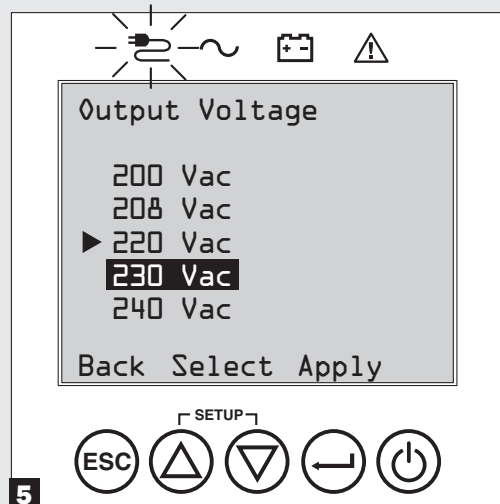
See the **Power Strategy Selection Options** and **UPS Operating Modes** sections under the Operations section for operating characteristics of each power strategy.



5 Select UPS Output Voltage

Next, the UPS will prompt you to select the desired OUTPUT VOLTAGE.

Using the UP / DOWN (▲▼) buttons, select the UPS output voltage, then select APPLY (→).

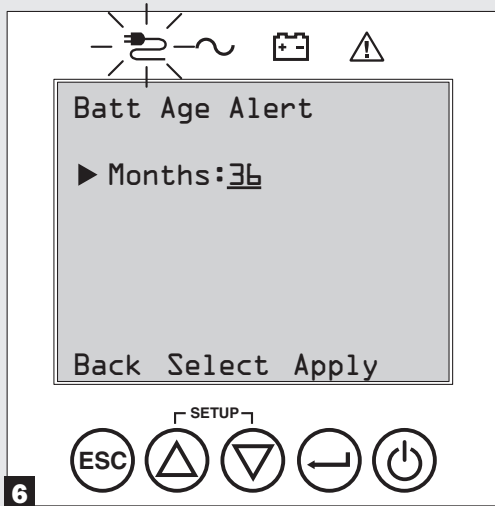


Basic Connection and Start-Up

6 Select UPS Battery Age Alert

Next, the UPS will prompt you to select the timing of the BATTERY AGE ALERT.

Using the UP / DOWN (▲▼) buttons, select the timing of the battery age alert in months, then press APPLY (↵).

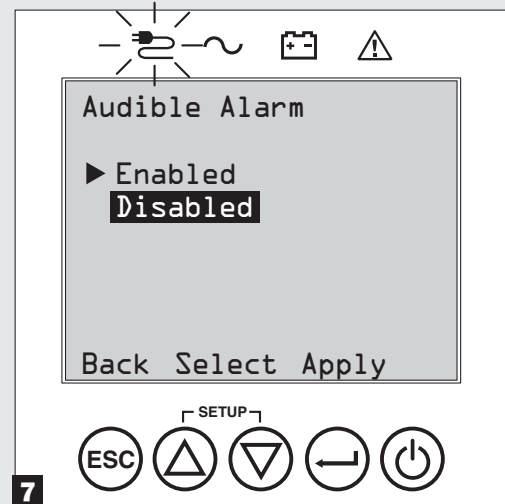


7 Select Audible Alarm ENABLE / DISABLE status

Next, the UPS will prompt you to select the alarm ENABLE / DISABLE status.

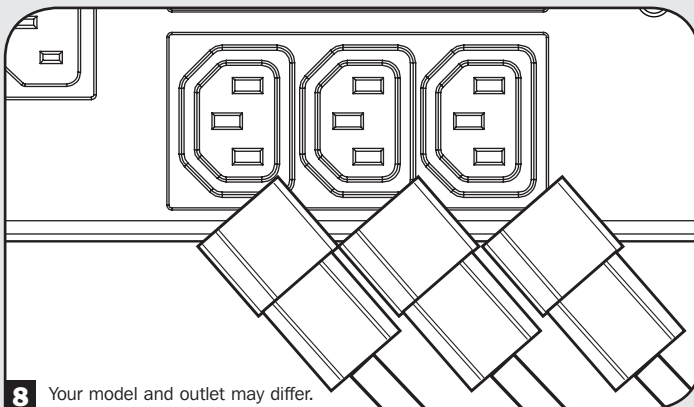
Using the UP / DOWN (▲▼) buttons, select the alarm ENABLE / DISABLE status, then press APPLY (↵).

Note: Disabling the alarm prevents the audible alarm from sounding during power failures and UPS fault conditions only. The alarm will still “chirp” to confirm operator input via the front panel LCD navigation buttons when the alarm is set to disable.



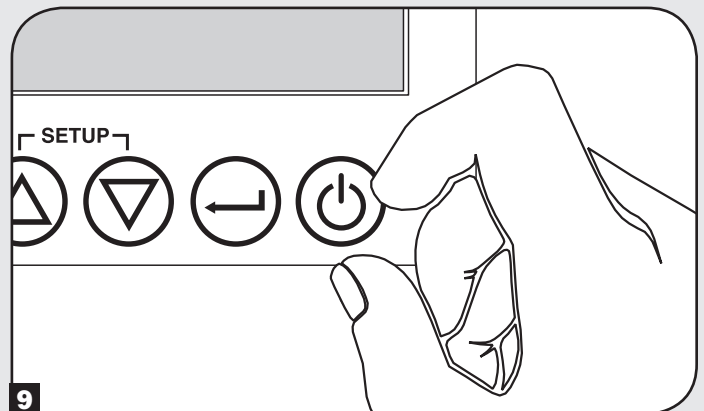
8 Plug your equipment into the UPS

Your UPS is designed to support network, server and computer equipment only.



9 Turn your UPS on

Press and hold the POWER (⏻) button for 3 seconds and release as the alarm begins to sound.



The UPS will then go through a series of diagnostic checks before turning on output power. Once the UPS reports the operating status of NORMAL / LOAD PROTECTED with the configured POWER STRATEGY enabled, your UPS can immediately be put into service to provide reliable protection from a wide variety of power problems.

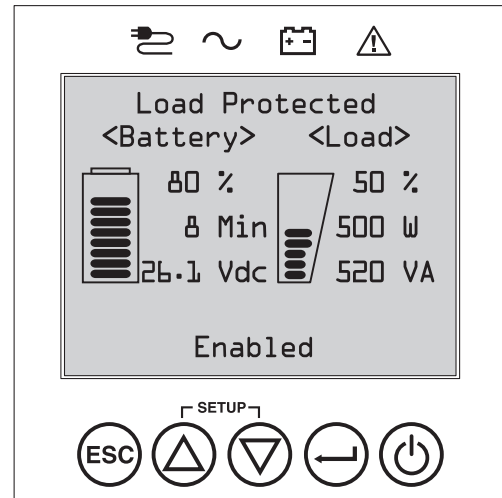
Features

Before installing and operating your UPS, familiarize yourself with the locations and function of the features of each component.

Front Panel Controls, LEDs and LCD Screen

The graphical LCD on the front panel contains a wide range of UPS operating conditions and diagnostic data. It also displays UPS settings and options when viewing the UPS setup screens. The five buttons below the LCD can be used to navigate the various information, configuration and UPS control screens by following the on-screen prompts and selection options. Additional LED indicators above the LCD screen also provide at-a-glance status of AC input source, availability of output, battery status, and warning/fault status.

See **Operations** section for detailed descriptions of LCD functions, buttons and LEDs.

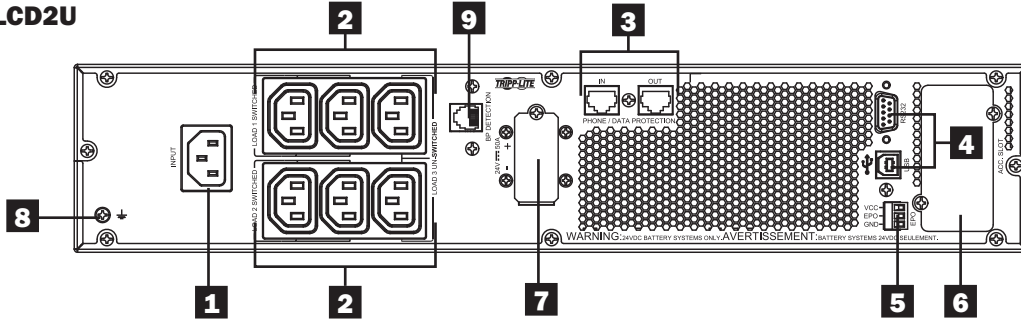


Rear Panel Features

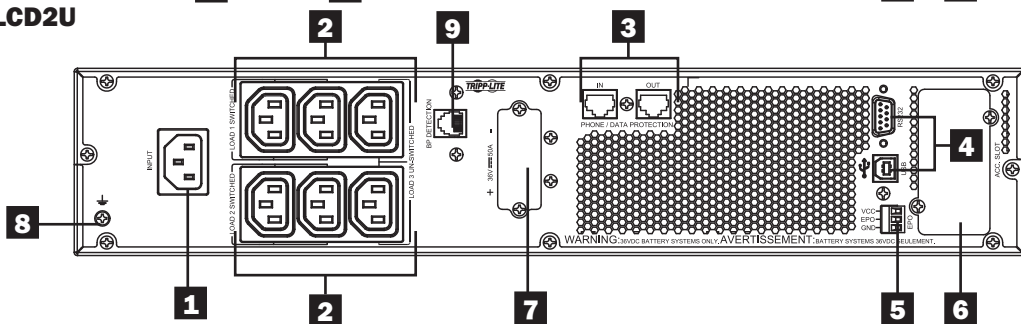
- 1 Input Cord Connection:** This connects to AC power via a user-supplied cord with country-specific plug or permanently attached power cord.
- 2 AC Receptacles (varies by model):** These output receptacles provide connected equipment with pure sine-wave AC output during normal operation and battery power during blackouts and severe brownouts. Power provided by these outlets is filtered to protect connected equipment against damaging surges and line noise. The receptacles are divided into numbered load banks, as labeled on the unit. Using PowerAlert software and cabling, load banks one and two may be individually turned off and on from a remote location, allowing users to reset or reboot connected equipment.
- 3 Telephone or Telephone/Network Protection Jacks:** These jacks protect your equipment against surges over a telephone line or telephone/network data line. Connecting your equipment to these jacks is optional. Your UPS will work properly without this connection.
Note: Not compatible with PoE (Power Over Ethernet) applications.
- 4 Communications Ports (USB or RS-232):** These ports connect your UPS to any workstation or server. Use with Tripp Lite's PowerAlert Software and included cables to enable your computer to automatically save open files and shut down equipment during a blackout. Also use PowerAlert Software to monitor a wide variety of AC line power and UPS operating conditions. Consult your PowerAlert Software manual or contact Tripp Lite Customer Support for more information. The 9-pin RS-232 port also supports dry-contact communications. See **USB & RS-232 Serial Communications** in the **Optional Connections** section for installation instructions.
- 5 EPO (Emergency Power Off) Port:** Your UPS features an EPO port that may be used to connect the UPS to a contact closure switch to enable emergency inverter shutdown. See **Optional Connections** section for details.
- 6 Accessory Slot:** Remove the small cover panel from this slot to use optional accessories to remotely monitor and control your UPS. Visit www.tripplite.com to see a full list of accessories, including the WEBCARDLX for remote control and UPS monitoring, as well as a wide variety of network management and connectivity products.
- 7 External Battery Pack Connector (configuration varies by model):** Your UPS supports the use of optional Tripp Lite external battery packs for additional runtime. See **Model Specific Accessories** section under the **Overview** section for compatible models and limitations and **Configuring External Battery Packs** section under **Operations** section for configuration instructions.
Note: External battery pack options require configuration using front panel LCD interface or via Tripp Lite's EXTERNAL BATTERY CONFIGURATION software.
- 8 Ground Screw:** Use this to connect any equipment that requires a chassis ground.
- 9 External Battery Detection Port:** For external batteries with communication built-in, plugging the battery communication cable into this port will allow the UPS to automatically detect the external battery.

Features

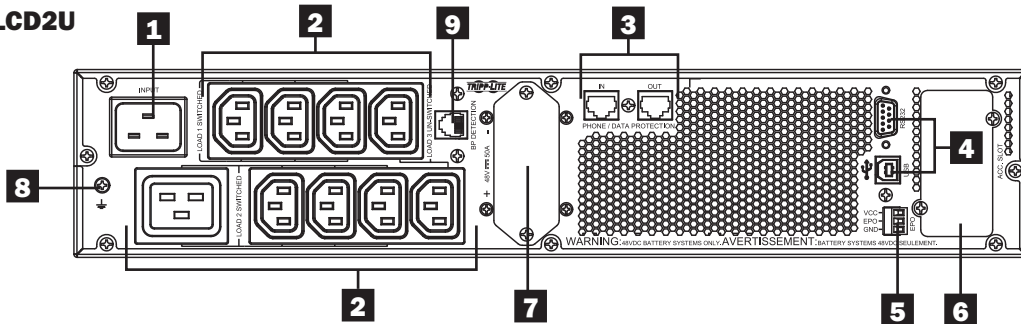
SUINT1000LCD2U



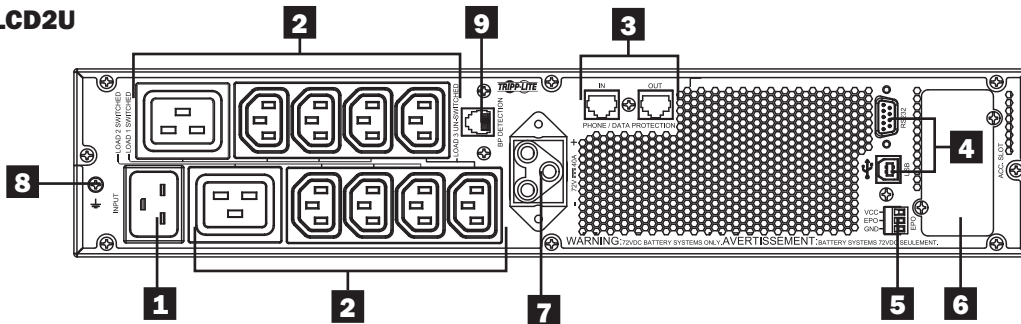
SUINT1500LCD2U



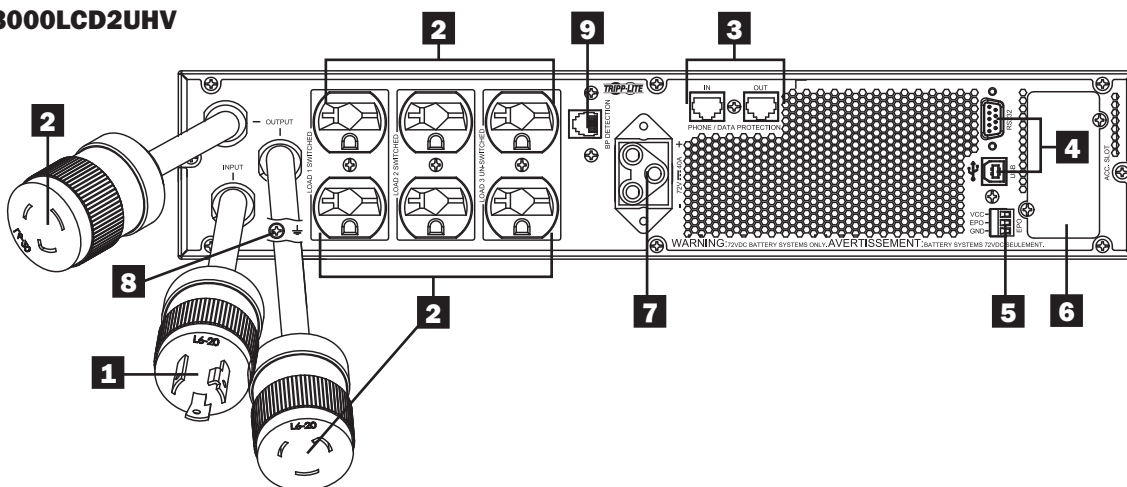
SUINT2200LCD2U



SUINT3000LCD2U



SU3000LCD2UHV

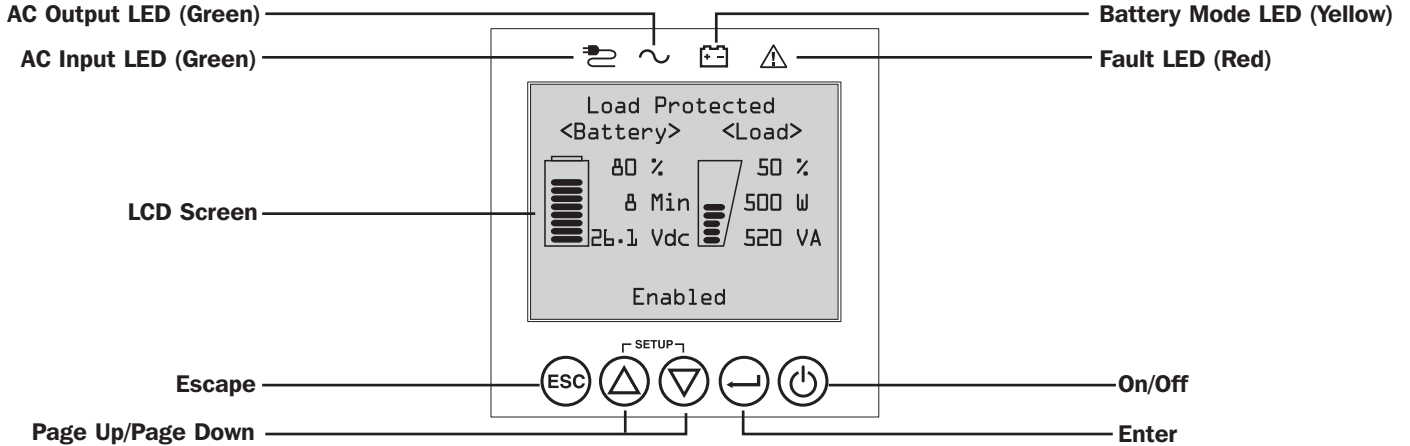


Operations

This section explains how to use your Tripp Lite Online UPS System, including front-panel LCD operation, operating modes, UPS startup and shutdown, transferring between modes, setting power strategy, and configuring bypass settings, load segments and battery settings.

LCD Front-Panel Display and Controls

There is a 5 button graphical LCD screen with additional LED indicators on the front of the UPS that provides information on UPS status, load level information, event information, measurements, settings and a wide variety of UPS configuration and power strategy options.



LED Front Panel Indicators

There are 4 LEDs above the front panel LCD screen that offer information on AC INPUT, BYPASS, AC OUTPUT, BATTERY MODE and UPS FAULT status.

	AC INPUT indicator
On	AC input is available AND AC input is WITHIN the configured ECONOMY / BYPASS mode range. When this LED is ON SOLID, AC input is of adequate quality for UPS operation in BYPASS or ECONOMY MODE.
Flashing	AC input is available AND AC input is OUTSIDE the configured BYPASS mode range. When this LED is ON FLASHING, AC input is not of adequate voltage or frequency for UPS operation in BYPASS or ECONOMY MODE.
Off	AC input is NOT available. When this LED is OFF, AC input is not available.
	AC OUTPUT indicator
On	UPS AC output is ON UPS output is available at the UPS output receptacles.
Off	UPS AC output is OFF UPS AC output is not available.
	BATTERY MODE indicator
On	UPS is running in battery mode UPS batteries are discharging as the UPS runs in battery mode. Also lights momentarily during self-test operation.
Flashing	UPS is running in battery mode - Low battery warning UPS batteries are discharging as the UPS runs in BATTERY mode and are becoming low. The indicator will flash at 2 second intervals to report LOW BATTERY and 0.5 second intervals to report BATTERIES ARE NEAR FULLY DISCHARGED and the UPS is near shutdown.
	UPS FAULT indicator
On	UPS is experiencing a pre-defined fault state See front panel display for explanation of error state or code information. See on-screen instructions and manual for troubleshooting tips.
Off	Normal UPS is not reporting fault conditions when this indicator is OFF.

Operations

Front Panel Button Functions

There are 5 front panel buttons that offer UPS control and configuration options. To navigate the various information, configuration and UPS control screens, use the 5-button front panel interface and follow the on-screen prompts and selection options.



Power On / Off Button: This control offers three main functions: Power-On, Power-Off and Clear UPS Fault.

To turn the UPS ON into a protected operating mode, press and hold this button for 3 seconds as the UPS is connected to input AC power. Release the button when the alarm begins to sound and the UPS will startup into the last configured power strategy.

To “cold start” the UPS on into battery mode during power failure conditions, press and hold this button for 3 seconds. Release the button when the alarm begins to sound and the UPS will startup in battery mode.

To turn the UPS OFF as it's running in battery or protected mode, press and hold this button for 3 seconds. Release the button when the alarm begins to sound. The UPS will turn off AC output. Once AC output is off, disconnect input power to the UPS and the UPS will power off completely.

To CLEAR UPS FAULT, press and hold this button as directed on-screen for 3 seconds. The UPS will clear the fault conditions and return to standby or bypass mode.



ENTER Button: This control is used to make selections, confirm options and move forward to the next selection as the UPS is configured in setup mode. Press this button as directed on-screen in Setup mode to Enter, Confirm or Move Forward in the configuration process.



UP / DOWN Buttons: These controls offer two main functions: “Up” and “Down” directional control, plus enter / exit setup mode (when pressed simultaneously). These buttons are used to navigate setup-mode menu options and scroll up or down to view screen contents as necessary.



To ENTER or EXIT UPS SETUP MODE, press these two buttons simultaneously for 3 seconds. Release the button when the alarm begins to sound. The UPS will automatically enter setup mode if both buttons are pressed during LCD display modes. The UPS will automatically exit setup mode if both buttons are pressed as the UPS runs in UPS setup mode.



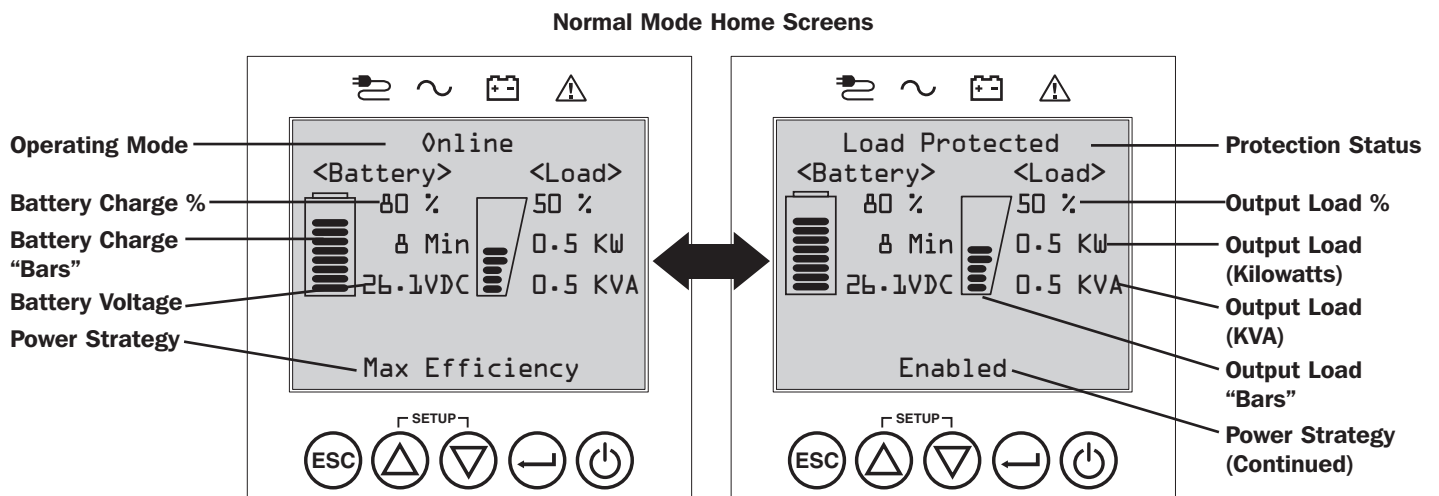
ESCAPE Button: This control offers three main functions: Alarm Cancel, Clear Fault and Back / Cancel operations.

To CANCEL UPS ALARM, press this button. If a new alarm condition occurs, the alarm will sound again.

To CANCEL or GO BACK ONE LEVEL, press this button as directed on-screen in Navigation and Setup modes.

Home Screen Layout

The UPS front panel LCD screen is set up to provide continuous UPS operating information using NORMAL MODE and BATTERY MODE home-screens that continuously report operating mode, protection status, power strategy and a number of battery and load-level operating parameters.



Power Strategy Selection Options

Tripp Lite SmartOnline LCD UPS systems offer several built-in power strategy options that enable the UPS to optimize performance to meet user needs for MAXIMUM POWER QUALITY, MAXIMUM EFFICIENCY, and FREQUENCY REGULATION or FREQUENCY CONVERSION operation. An additional AUTO-ADAPTIVE power strategy combines the benefits of high-efficiency and maximum power quality. Each power strategy option enables the UPS to automatically shift between specific operating modes as power and UPS status dictates. Available power strategy options include:

- **Auto-Adaptive Power Strategy** enables the UPS to automatically switch between ONLINE MODE and ECONOMY MODE as dictated by the quality and reliability of UPS input power. If the UPS does not experience a power failure in a week's time (not including UPS self-test) the UPS will automatically switch to ECONOMY MODE. If a power failure occurs, the UPS will maintain output in BATTERY MODE. When power is restored, the UPS will repeat the cycle by running in ONLINE MODE until there are no power failures for one week's time.
- **Max-Efficiency Power Strategy** enables the UPS to run continuously in ECONOMY MODE anytime incoming AC power is within the configured bypass low/high voltage range. If UPS input voltage is outside the configured bypass range, the UPS will automatically switch to ONLINE MODE until AC input voltage is restored within the configured bypass voltage range. This is similar to Auto-Adaptive Power Strategy, except transfer to ECONOMY MODE is immediate as voltage levels recover. There is no one-week time period of power failure free operation required in order for the UPS to return to ECONOMY MODE operation.
- **Max-Quality Power Strategy** enables the UPS to run continuously in ONLINE MODE the entire time incoming AC power is within the range for online mode operation. The UPS will remain operating continuously in Online Double-Conversion mode, providing the highest quality output power with zero transfer time. Auto-bypass mode is available during UPS failure modes when AC input is within the bypass range.
- **Frequency Regulation Power Strategy** is similar to Max-Quality Power Strategy, except the UPS will actively regulate output frequency within $\pm 0.05\text{Hz}$ of the 50 or 60Hz nominal frequency measured on startup. The UPS will remain operating continuously in Online Double-Conversion mode, providing the highest quality output power with zero transfer time. Auto-bypass mode is available during UPS failure modes when AC input is within the bypass range.
- **Frequency Conversion to 60Hz & Frequency Conversion to 50Hz Power Strategies** are similar to Max-Quality power strategy, except the UPS will actively regulate output within $\pm 0.05\text{Hz}$ of the 50Hz (Freq. Conv. to 50Hz setting) or 60Hz (Freq. Conv. to 60Hz setting). Auto-bypass is not available in FREQUENCY CONVERSION mode. Typical applications include converting 50 to 60Hz (or 60 to 50Hz) for sensitive electronic devices.

Note: Maximum power supported in Frequency Regulation/Conversion modes is derated by 30%.

UPS Operating Modes

Tripp Lite SmartOnline UPS systems are able to automatically switch between operating modes under conditions specified in the configured Power Strategy. The UPS continuously indicates status using front panel LEDs and the interactive LCD viewing screen.

- **Battery Mode** is the UPS system's automatic response to power failures and voltage variations outside of the online voltage range. In BATTERY MODE, the UPS maintains sine wave AC output power from battery reserves. Once power is restored, the UPS will return to the protected operating mode as dictated by the configured power-strategy and input power conditions.
- **Online Mode** (also known as ONLINE, DOUBLE CONVERSION MODE) offers the highest level of UPS equipment protection. In ONLINE MODE, the UPS actively regenerates power from AC to DC, then from DC to AC to provide continuously regulated AC output within 2% of the selected nominal output voltage with zero transfer time as the UPS switches between ONLINE and BATTERY modes.
- **Economy Mode** offers power saving operation with the highest level of UPS operating efficiency. In ECONOMY MODE, the UPS saves energy by turning off the online, double-conversion process whenever input power is within the ECONOMY MODE voltage range. If line voltage falls outside of the ECONOMY MODE, the UPS will respond by automatically switching to ONLINE MODE until line voltage recovers.
- **Frequency Regulation Mode** gives the UPS the ability to correct frequency variations present on UPS input power. See **Power Strategy Selection Options** section for details.
- **Frequency Conversion to 60Hz and Frequency Conversion to 50Hz Modes** give the UPS the ability to convert frequency from 50Hz to 60Hz (or 60Hz to 50Hz). See **Power Strategy Selection Options** section for details.

Note: Maximum power supported in Frequency Regulation/Conversion modes is derated by 30%.

- **Bypass Mode** offers filtered and unregulated power to connected equipment.

Operations

Power Strategy Operating Features and Supported UPS Operating Modes

The configured UPS Power Strategy provides a framework for UPS operation as it switches between operating modes as dictated by power events and UPS status. Each Power Strategy offers a unique set of operating parameters that the UPS adheres to in order to meet user preferences for high-performance or high efficiency. Additional frequency regulation and conversion options are also available for advanced applications. The chart below lists the UPS operating modes supported for each Power Strategy option.

		UPS OPERATING MODES UPS automatically switches operating modes as dictated by the configured power strategy, current power and UPS status conditions.			
		Support for ONLINE MODE	Support for ECONOMY MODE	Support for BATTERY MODE	Support for AUTO-BYPASS
POWER STRATEGY SELECTION OPTIONS Your power strategy selection enables the UPS to switch between operating modes as described	AUTO ADAPTIVE UPS runs continuously in ECONOMY MODE after running in ONLINE MODE for one continuous week without a power failure.	YES. When input is within the ONLINE voltage range, but outside the BYPASS voltage range, and after AC power is restored.	YES. When input is within the ECONOMY MODE voltage range and there are no power failures for one week.	YES.	YES. In the event of UPS inverter fault while input voltage is within the BYPASS voltage range.
	MAX. QUALITY UPS runs in ONLINE MODE continuously to maintain the highest quality output power for connected equipment.	YES. When input is within the ONLINE voltage range.	NO.	YES.	YES. In the event of UPS inverter fault while input voltage is within the BYPASS voltage range.
	MAX. EFFICIENCY UPS runs in ECONOMY MODE full time when input is within the bypass range.	YES. When input is within the ONLINE voltage range, but outside the BYPASS voltage range.	YES. When input is within the ECONOMY MODE voltage range.	YES.	YES. In the event of UPS inverter fault while input voltage is within the BYPASS voltage range.
	FREQUENCY REGULATION UPS regulates output to within +/-0.05Hz of nominal.	YES. When input is within the ONLINE voltage range.*	NO.	YES.	YES. In the event of UPS inverter fault while input voltage is within the BYPASS voltage range.
	FREQUENCY CONVERSION to 60Hz UPS converts 50Hz input to 60Hz. (+/-0.05Hz)	YES. When input is within the ONLINE voltage range.**	NO.	YES.	NO.
	FREQUENCY CONVERSION to 50Hz UPS converts 60Hz input to 50Hz. (+/-0.05Hz)	YES. When input is within the ONLINE voltage range.**	NO.	YES.	NO.

* LCD displays FREQUENCY REGULATION as the operating mode with derating information.

** LCD displays FREQUENCY CONVERSION as the operating mode with derating information.

Operations

Front Panel LCD Selection and Configuration Options

MAIN MENU / SUBMENU	DISPLAY / SETTING OPTIONS	DISPLAY / SETTING DESCRIPTION
STATUS		
Load Status	<ul style="list-style-type: none"> • Load level (% , kW, kVA, A, PF) • Available capacity (% , kW, kVA) 	UPS load percent (%), kilowatt (kW), kilovoltamp (kVA), amp (A) & power factor (PF). UPS capacity available in percent (%), kilowatts (kW) & kilovoltamps (kVA).
In/Out Status	<ul style="list-style-type: none"> • Input voltage & frequency (Vac, Hz) • Output voltage & frequency (Vac, Hz) • Load Group1 (On, Off) • Load Group2 (On, Off) 	Displays UPS input and output status information for input / output voltage (Vac), frequency (Hz) and outlet group power status (On/Off) information.
Energy Status	<ul style="list-style-type: none"> • Efficiency (%) • Avg. Power (kw/hr.) • Configured power strategy 	Displays UPS efficiency percentage (%), connected equipment kilowatt hour consumption (kw/hr.) and configured power strategy.
Int. Batt. Status	<ul style="list-style-type: none"> • Installed (mm/dd/yyyy) • Expires (mm/dd/yyyy) 	Displays internal Replacement Battery Cartridge install date and user configured expiration date.
Ext. BP. Status	<ul style="list-style-type: none"> • Battery pack model & serial number • Installed (mm/dd/yyyy) • Expires (mm/dd/yyyy) 	Displays external Battery Pack model number & serial number (Tripp Lite SMART BATTERY PACKS) only, installation date and user configured expiration date.
Power Flow Chart	<ul style="list-style-type: none"> • View UPS operational flow chart 	Displays UPS operating mode in a graphical flow chart.
CONTROL		
Start Batt. Test	<ul style="list-style-type: none"> • Initiates a manual battery test 	Initiates a momentary UPS battery self-test with immediate Pass/Fail results.
Reset Batt. Age	<ul style="list-style-type: none"> • Resets the battery age 	Resets battery age to today's date. Use this option after NON-SMART battery replacement.
Reset Fault State	<ul style="list-style-type: none"> • Resets any fault state messages 	Use this option to clear UPS fault messages.
Auto Batt. Testing	<ul style="list-style-type: none"> • Set regular battery self-test interval <ul style="list-style-type: none"> ◦ Disable ◦ 4 weeks (factory setting) ◦ 13 weeks ◦ 26 weeks 	Use this option to initiate automatic UPS battery testing at regular intervals.
EVENT LOG		
On Batt. Events	<ul style="list-style-type: none"> • Event counter (UPS On-battery events only) • Total minutes (total minutes of on-battery mode operation) • Most recent power failure (date) • Days until battery replacement alert (days) • Event details (date, time & description for the last 20 logged events) 	Displays a summary of all ON-BATTERY events where the UPS switched to battery mode in response to a protected condition. Event details lists the last 20 battery events. As additional alerts occur, the oldest records will be automatically removed.
All Events	<ul style="list-style-type: none"> • Event counter (all events) • Most recent event (date) • Date time log • Event details (date, time and description of each logged event) 	Displays a summary of all Recorded events. Event details lists the last 20 events. As additional alerts occur, the oldest records will be automatically removed.
Reset Batt. Events	<ul style="list-style-type: none"> • Resets battery events only 	Resets all data in the on-battery events screen set.
Reset All Events	<ul style="list-style-type: none"> • Resets all events 	Resets all data in the all-events screen set.
SETTINGS		
Basic setup	System <ul style="list-style-type: none"> • Current date (display, set date) • Current time (display, set time) • Audible alarm (enable, disable) • Language (select) 	Displays, sets and resets date, time, audible alarm status and language settings. Note: Audible Alarm DISABLE setting prevents power fail and operating fault alarms only, the UPS will always "beep" to confirm the UPS is accepting user input from the front-panel LCD navigation buttons.
	Output voltage <ul style="list-style-type: none"> • 200 • 208 • 220 • 230 • 240 	Use the SETTINGS / BASIC / OUTPUT VOLTAGE option to display or set the nominal UPS output voltage (changes take effect on next restart).

Operations

MAIN MENU / SUBMENU	DISPLAY / SETTING OPTIONS	DISPLAY / SETTING DESCRIPTION
SETTINGS		
Basic setup (continued)	Power strategy: <ul style="list-style-type: none"> • Auto-Adaptive • Max Efficiency • Max Quality • Freq. Regulation • Freq. Conversion to 60Hz • Freq. Conversion to 50Hz 	Use the SETTINGS / BASIC / POWER STRATEGY option to display or set the UPS Power strategy. See Power Strategy Selection Options section under the Operations section for more info on the available power strategy options.
	Battery: <ul style="list-style-type: none"> • External battery configuration <ul style="list-style-type: none"> ◦ Configure via UPS ◦ PC configured ◦ Battery Replacement • Battery Age Alert 	Use the SETTINGS / BASIC / BATTERY option to configure the UPS with external battery packs. Battery replacement option can be used to update installation date for non-smart external battery replacement of the same type. Also sets the battery age alert duration for battery replacement reminder. See Configuring External Battery Packs section under the Operations section for information on how to configure external battery packs.
Advanced setup	System: <ul style="list-style-type: none"> • Display brightness <ul style="list-style-type: none"> ◦ High ◦ Medium (factory setting) ◦ Low • Backlight dim: Enter 10-120 seconds (factory setting is 60 seconds) • Password: Set your 4 digit password (factory setting is 0000) • Factory reset (resets all UPS preferences to factory settings, including battery configurations) 	Use the SETTINGS / ADVANCED / SYSTEM option to set the display brightness, the display backlight dim time-out, password or factory reset options.
	In/Out: <ul style="list-style-type: none"> • Overload Alert Lvl: Enter a value 5-105% (factory setting is 100%) 	Use SETTINGS / ADVANCED / IN-OUT for these options: Sets the UPS output load percentage before an overload alert is sent.
	<ul style="list-style-type: none"> • Conf. Fault Action (UPS response to fault) <ul style="list-style-type: none"> ◦ Go to bypass (factory setting) ◦ Go to standby 	Sets the UPS response to fault conditions that require the UPS to exit double-conversion mode. GO TO BYPASS option maintains AC output (so long as input voltage is within bypass high/low limits). GO TO STANDBY option causes the UPS to turn off output AC in response to fault conditions.
	<ul style="list-style-type: none"> • Bypass Low Limit: Enter a value -5% to -20% (factory setting is -15%) 	Specifies the lowest acceptable input voltage for bypass operation.
	<ul style="list-style-type: none"> • Bypass High Limit: Enter a value +5% to +20% (factory setting is +10%) 	Specifies the highest acceptable input voltage for bypass operation.
	On/Off: <ul style="list-style-type: none"> • Cold Start <ul style="list-style-type: none"> ◦ Enable (factory setting) ◦ Disable 	Use SETTINGS / ADVANCED / ON-OFF for these options: Enabling Cold-start allows the UPS to be manually turned on into battery mode during a power failure.
	<ul style="list-style-type: none"> • Auto Restart <ul style="list-style-type: none"> ◦ Enable (factory setting) ◦ Disable 	Enabling Auto-restart allows the UPS to automatically turn back on into a protected operating mode when power is restored.
	<ul style="list-style-type: none"> • Auto Restart Delay <ul style="list-style-type: none"> ◦ Enter: 0 to 60 seconds (factory setting is 0 seconds) 	Auto-restart delay forces the UPS to wait 0-60 seconds after power is restored before automatically restarting. Requires that Auto-restart when power is restored be enabled.
<ul style="list-style-type: none"> • Energy Saving <ul style="list-style-type: none"> ◦ Enter: 0-100% ◦ Disable (factory setting) 	Energy saving enables the UPS to automatically shutdown when the output load is less than the selected percentage continuously for 5 minutes.	
<ul style="list-style-type: none"> • Off Mode <ul style="list-style-type: none"> ◦ Standby ◦ Bypass (factory setting) 	Off mode setting of BYPASS allows the UPS to provide unregulated line power within configured bypass low / high limits to be available at the output of the UPS when it is turned off.	
<ul style="list-style-type: none"> • Min. Batt to Restart <ul style="list-style-type: none"> ◦ Enter: 10-90% ◦ Disable (factory setting) 	Minimum battery charge level to restart forces the UPS to wait until batteries have recharged to the selected percentage before automatically restarting. Note: UPS can be manually started using the power button if battery is below the minimum battery restart threshold. Requires that Auto-restart when power is restored be enabled.	

Operations

MAIN MENU / SUBMENU	DISPLAY / SETTING OPTIONS	DISPLAY / SETTING DESCRIPTION	
SETTINGS			
Advanced setup (continued)	On battery: <ul style="list-style-type: none"> • Low Batt. Alert <ul style="list-style-type: none"> ◦ Enter: 10-90% (factory setting is 20%) • Timed Shutdown <ul style="list-style-type: none"> ◦ Enter: 15, 30, 45 sec., 1-30 min. ◦ Disable (factory setting) • Low Battery Shutdown <ul style="list-style-type: none"> ◦ Enter: 5-100% ◦ Disable (factory setting) • On Batt. Beep Delay <ul style="list-style-type: none"> ◦ Enter: 0-120 seconds (factory setting is 5 seconds) • Shutdown Completion <ul style="list-style-type: none"> ◦ Required (factory setting) ◦ Interrupt OK 	<p>Enables the UPS to send a low-battery alert as batteries discharge to the selected charge level during a power failure.</p> <p>Timed shutdown sets the maximum amount of battery runtime in seconds or minutes the UPS will provide during a power failure. Use the DISABLE setting for the longest possible battery runtime.</p> <p>Low battery shutdown sets the maximum amount of battery discharge before the UPS shuts down due to low battery. The setting of DISABLE allows the batteries to discharge to 0% before shutdown.</p> <p>The "Beep Delay" setting allows the audible alarm to be delayed up to 120 seconds to prevent the audible-alarm from sounding in response to short duration power failures.</p> <p>The UPS will communicate shutdown messaging to connected systems prior to UPS shutdown. The setting of INTERRUPT OK will interrupt shutdown messaging if power is restored after shutdown messaging is sent.</p>	
	USB/DB9 Settings: <ul style="list-style-type: none"> • DB9 Settings <ul style="list-style-type: none"> ◦ Output pins 1&5 <ul style="list-style-type: none"> - On battery (factory setting) - On bypass - Output on - Low battery ◦ Output pins 8&5 <ul style="list-style-type: none"> - On battery - On bypass - Output on - Low battery (factory setting) ◦ Input pins 3&9 <ul style="list-style-type: none"> - Shutdown (factory setting) - Output off - Reboot - Output on - Power Toggle • USB signal lost <ul style="list-style-type: none"> ◦ Line mode setup <ul style="list-style-type: none"> - No action (factory setting) - Reboot UPS after delay - Reboot Load1 after delay - Reboot Load2 after delay ◦ Battery mode setup <ul style="list-style-type: none"> - Run to low battery (factory setting) - Shutdown after delay ◦ USB lost timer <ul style="list-style-type: none"> - Enter: 10-60 seconds - Factory setting: 30 seconds 	<p>The UPS will signal the selected condition by shorting pins 1&5 on the DB9 port.</p> <p>The UPS will signal the selected condition by shorting pins 8&5 on the DB9 port.</p> <p>The UPS will perform the selected action when pins 3&9 are shorted on the DB9 port for at least 3.8 seconds.</p> <p>For the Reboot option (output off for 30 seconds before reboot): Note the pins must be shorted for at least 3.8 seconds to perform the reboot. The reboot happens at exactly 3.8 seconds. If the pins continue to be shorted for more than 3.8 seconds, no further action should be taken. The UPS takes no action on release of the short.</p> <p>The Power Toggle option is intended to keep the unit powered on whenever the pins are not shorted and powered off whenever the pins are shorted. Note this input cannot power on the unit from an off state unless valid AC is applied (this function will not impose a coldstart). To power on, the pins must be not shorted for at least 3.8 seconds and AC must be valid. To power off, the pins must be shorted for at least 3.8 seconds.</p> <p>The UPS will perform the selected action if the USB signal from a connected device is lost in line power mode for the duration selected.</p> <p>The UPS will perform the selected action if the USB signal from a connected device is lost in battery power mode for the duration selected.</p> <p>This control sets the duration of USB signal loss before the selected line power-mode / battery power-mode action engages.</p>	
	ABOUT		
	UPS Information	UPS model number, UPS Serial number, UPS installed date	UPS installed date is automatically set by the unit after 2 hours of continuous operation.
	Network ID	Web management accessory card firmware, IPv4 address, IPv6 address, MAC Address	
	Firmware	UPS firmwares	

Operations

Configuring External Battery Packs

Tripp Lite SmartOnline INT UPS systems support the connection of external battery packs to enable extended-run UPS operation. In order for the UPS to provide efficient charging levels and accurate runtime predictions for optimal network runtime prior to sending auto-shutdown messaging, external battery packs need to be configured to the UPS upon installation.

There are 3 methods available to configure external battery packs to the UPS, depending on battery pack selected and quantity added to the UPS. Some battery pack configurations may require the use of more than one configuration method.

EXTERNAL BATTERIES can be configured to the UPS...	...AUTOMATICALLY (Using SMART Battery Packs)	...MANUALLY (Using LCD Screen)	...Using EXTERNAL BATTERY CONFIGURATION SOFTWARE
Battery Pack Compatibility	UPS supports automatic detection of up to 6 SMART BATTERY PACKS connected to the UPS.	LCD screen can be used to configure NON-SMART BATTERY PACKS and any additional SMART BATTERY PACKS beyond the 6 that can be automatically detected.	External Battery Configuration software can be used to configure the UPS for any supported quantity of SMART & NON-SMART external battery packs.

Tripp Lite *SMART Battery Packs* include a wired data connection that enables automatic detection and configuration for up to 6 SMART Battery Packs to the UPS. Tripp Lite *Legacy NON-SMART* battery packs are also supported for extended runtime applications, but require user configuration using the front-panel LCD screen or through the use of EXTERNAL BATTERY CONFIGURATION SOFTWARE.

SmartOnline LCD SMART and NON-SMART External Battery Pack Options

	SUINT1000LCD2U	SUINT1500LCD2U	SUINT2200LCD2U	SUINT3000LCD2U / SU3000LCD2UHV
Supported "SMART" BATTERY PACKS	BP24V36-2US	BP36V27-2US	BP48V27-2US	BP72V18-2US
Supported LEGACY "NON-SMART" BATTERY PACKS	BP24V15RT2U (limit 1) BP24V28-2U (limit 1) BP24V70-3U	BP36V15-2U (limit 1) BP36V42-3U	BP48V24-2U (limit 1) BP48V60RT3U	BP72V15 (limit 1) BP72V28RT3U

Configuring SMART and NON-SMART BATTERY PACKS via the front panel LCD screen

Adding up to 6 SMART BATTERY PACKS to the UPS

Each SmartOnline UPS has a designated SMART BATTERY PACK, where up to 6 SMART battery packs can be connected to the UPS for fully automatic detection and configuration. SMART battery packs include a wired data connection that connects to the UPS Battery Pack Detection port for automatic recognition and configuration by the UPS.


To configure the UPS for use with up to 6 SMART BATTERY PACKS, just connect the included POWER and DATA cables between the UPS and the first SMART BATTERY PACK. Then connect the POWER and DATA cables for additional SMART BATTERY PACKS to the one ahead of it. The UPS will automatically detect and configure up to 6 SMART BATTERY PACKS to the UPS.

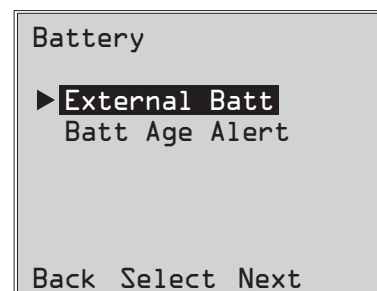
Adding more than 6 SMART BATTERY PACKS to the UPS

SmartOnline UPS systems support automatic detection of up to 6 SMART BATTERY PACKS as described above. It is possible to configure the UPS for more than 6 SMART BATTERY PACKS by configuring all additional SMART PACKS as NON-SMART. When configuring the UPS with more than 6 SMART BATTERY PACKS, configure BPs #1-6 using the BP Detection port method listed above. Then configure SMART BATTERY PACKS #7 and above and any other supported battery pack models to be connected as NON-SMART BATTERY PACKS. See the ADDING NON-SMART Battery Packs section for more information.


Adding BATTERY PACKS to the UPS manually (SMART and NON-SMART battery packs)

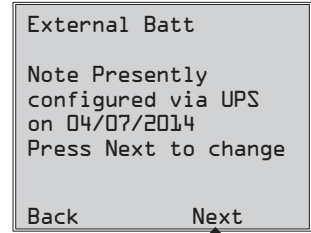
If you're connecting more than the 6 SMART Battery Packs the UPS can automatically detect OR are connecting supported NONSMART Battery Packs to the UPS, you can configure them via the UPS front panel LCD interface. First, install the Battery Pack power connections to the UPS as described in the battery pack documentation. Then, using the SETTINGS / BASIC SETTINGS / BATTERY configuration screens, select the EXTERNAL BATT menu option (see the **Front Panel Button Functions** and **Front Panel LCD Selection and Configuration Options** sections under the **Operations** section for instructions on accessing this section).

- From the SETTINGS / BASIC SETTINGS / BATTERY menu, select EXTERNAL BATT, then press NEXT .

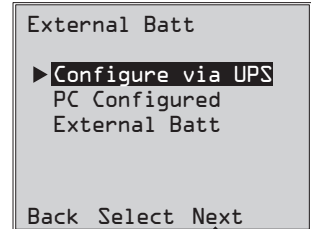


Operations

- 2** The LCD screen will display the present configuration settings. Press NEXT  to edit the configuration.



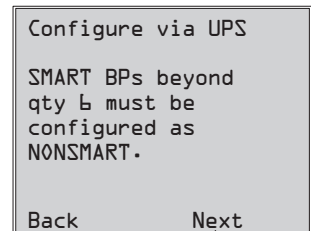
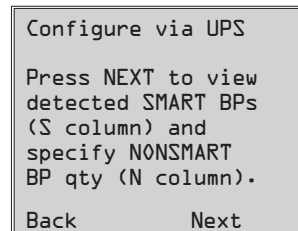
- 3** Then select CONFIGURE VIA UPS and press NEXT .








- 4** The LCD screen will prompt you to move to the next screen where the SMART and NON-SMART battery packs can be configured.

Then select NEXT .

Note: The display will cycle between two screens to show all the text.



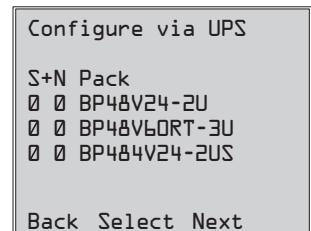
- 5** The LCD screen will display the list of supported external battery packs preceded by a column displaying the number of configured SMART and NON-SMART external battery packs. SMART BATTERY PACKS detected via the BP DETECTION PORT will already be listed with the appropriate quantity of 1-6 under the "S" Column of this screen.

To configure NON-SMART batteries and any SMART batteries beyond the 6 that were auto-detected, use the UP/DOWN   and NEXT  buttons. After the last battery pack on the list is configured, press BACK  to edit your entry or APPLY  to enter the new values.

Note: The "S" column displays the number of configured SMART battery packs and the "N" column displays the number of configured NON-SMART battery packs.

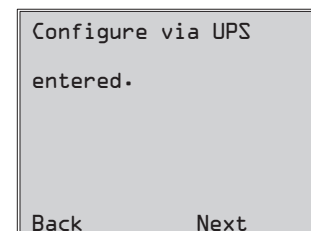
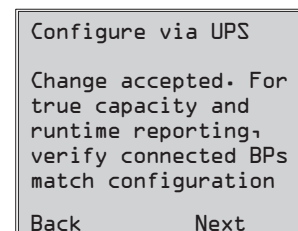
Note: Pressing the UP or DOWN buttons change the "N" column value. Pressing the NEXT button moves the cursor down one row.


Note: When you reach the last row, NEXT will change to APPLY.



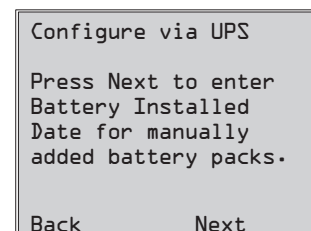
- 6** After the manually entered NON-SMART battery packs have been applied to the UPS, the LCD will report that the change has been accepted and will suggest you verify that the actual set of external battery packs match the UPS configuration.

Press NEXT  to move to the next screen.



- 7** The LCD screen will ask you to press NEXT  to enter the battery installation date for manually configured external battery packs.

The following screen allows you to pick the current date for installation, or allow you to enter an installation date in the past, in case the BP was added at a previous date.



Optional Connections

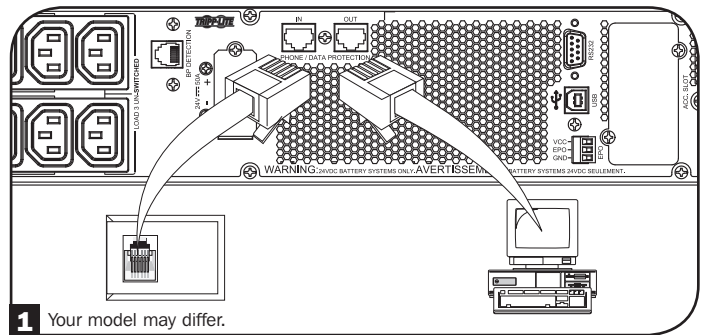
Your UPS will function properly without these connections.

1 Phone Line or Phone/Network Line Surge Suppression

Your UPS has jacks which protect against surges on a phone line.* Using appropriate telephone or network cords, connect your wall jack to the UPS jack marked "IN." Connect your equipment to the UPS jack marked "OUT." Make sure the equipment you connect to the UPS's jacks is also protected against surges on the AC line.

* Not compatible with PoE (Power Over Ethernet) applications.

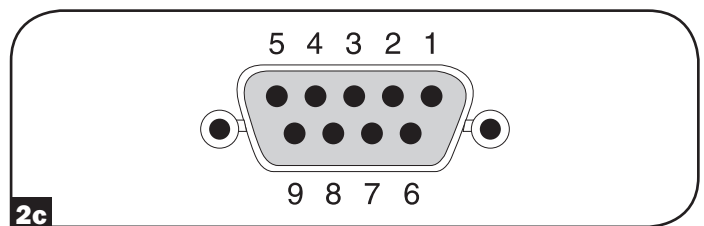
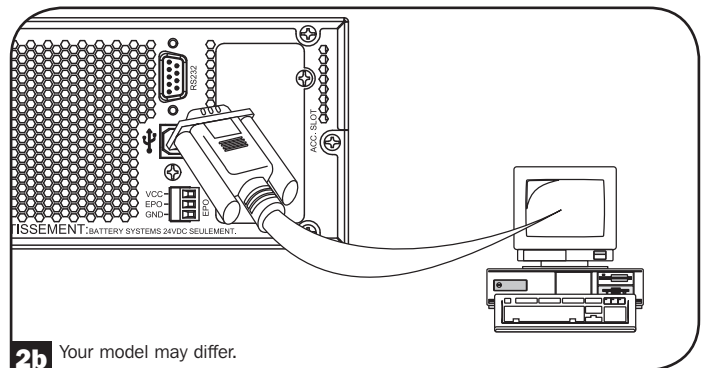
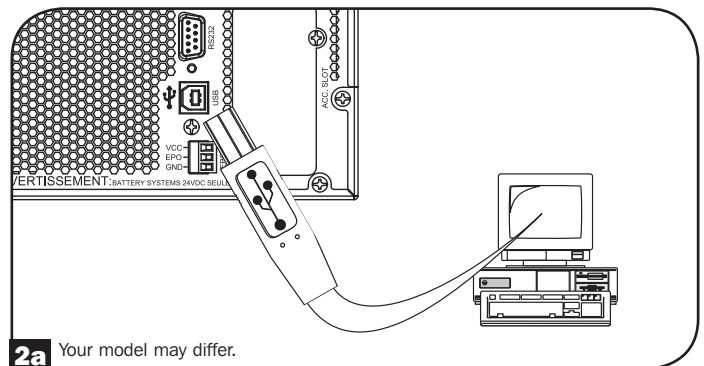
Note: Use the same type of connector for the phone line surge suppression input and output ports.



2 USB and RS-232 Serial Communications

Use the included USB cable (see 2a) and/or RS-232 serial cable (see 2b) to connect the communication port of your computer to the communication port of your UPS. Install on your computer the Tripp Lite PowerAlert Software appropriate to your computer's operating system. Your UPS may feature additional communications ports; these ports may be connected to additional computers that have PowerAlert Software installed. Consult your PowerAlert manual for more information.

2c RS-232 Dry contact communications are simple, but some knowledge of electronics is necessary to configure them. The RS-232 port's pin assignments are shown in the diagram. If the UPS battery is low, the UPS sends a signal by bridging pins 1 and 5. If utility power fails, the UPS sends a signal by bridging pins 8 and 5. To shut the UPS down remotely, short pin 3 to pin 9 for at least 3.8 seconds. Additional functions of these pins can be configured through the LCD or via Web management accessory card communication.

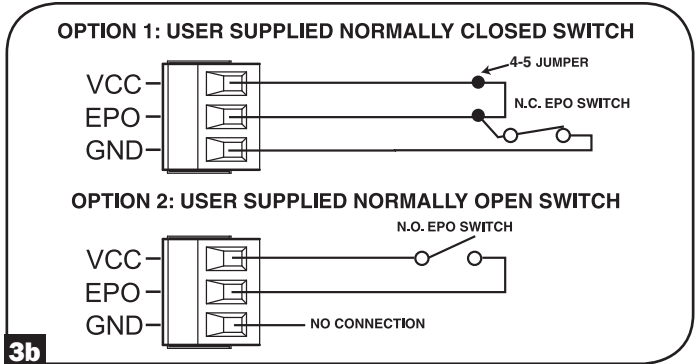
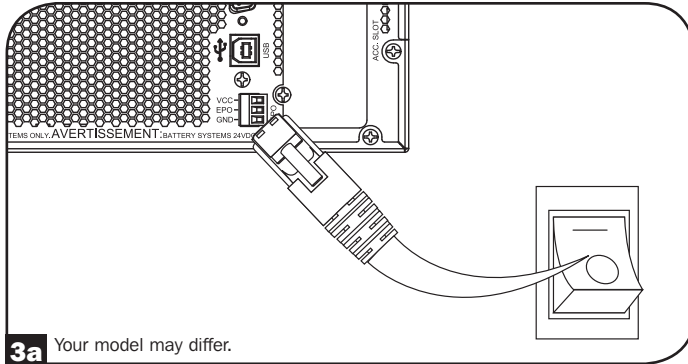


Optional Connections

3 EPO Port Connection

This optional feature is only for those applications that require connection to a facility's Emergency Power Off (EPO) circuit. When the UPS is connected to this circuit, it enables emergency shutdown of the UPS's inverter and inhibits transfer to internal bypass. Connect the EPO port of your UPS (see **3a**) to a user-supplied normally closed or normally open switch according to the circuit diagram (see **3b**).

Note: If a non-latching EPO switch is used, the EPO must be held for a minimum of 1 second. This does not apply to a latching EPO switch.



UPS state when asserting EPO with valid AC input present:

AC Output	LCD Screen Status	LEDs Status
Off	EPO Active	Only AC Input Indicator is On.

To restart the UPS after EPO assertion with valid AC input present:

1. Verify that the EPO assertion has been removed or cleared.
2. Press and hold the POWER ON/OFF button until it beeps. Now the UPS will start back up in one of the pre-configured normal operating modes.

UPS state when asserting EPO without valid AC input present (Battery Mode):

AC Output	LCD Screen Status	LEDs Status
Off	EPO Active	Off

To restart the UPS after EPO assertion without valid AC input present:

1. Verify that the EPO assertion has been removed or cleared.
2. Wait until the LCD completely turns off.
3. Press and hold the POWER ON/OFF button until it beeps. Now the UPS will start back up to Battery Mode.

To restart the UPS after EPO assertion with valid AC input present:

1. Verify that the EPO assertion has been removed or cleared.
2. Wait until the LCD completely turns off.
3. Reapply AC input power, press and hold the POWER ON/OFF button until it beeps. Now the UPS will start back up in one of the pre-configured normal operating modes.

Note: If AC input power is reapplied before the LCD completely turns off, the UPS will automatically restart to one of the pre-configured normal operating line modes without using the POWER ON/OFF button.

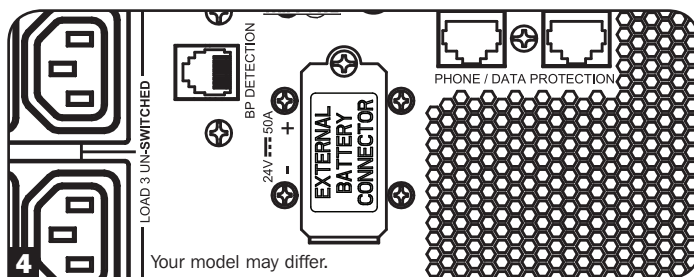
Optional Connections

4 External Battery Connection

Check the **Model Specific Accessories** section under **Overview** for compatible battery packs and maximum quantities for your UPS system. Ensure that your battery pack matches the voltage listed next to your UPS battery connector. Adding external batteries will increase recharge time as well as runtime. See the battery pack owner's manual for complete installation and setup instructions. Make sure cables are fully inserted into their connectors. Small sparks may result during battery connection; this is normal. Do not connect or disconnect battery packs when the UPS is running on battery power.

IMPORTANT! In order for the runtime-remaining LCD and the software information screens to accurately predict runtime with external battery packs connected, you must configure any connected packs using the front panel LCD or Tripp Lite's External Battery Configuration software. See Configuring External Battery Packs section under Operations.

CAUTION: Do not open or mutilate batteries. Released material is harmful to the skin and eyes. It may be toxic. The following precautions should be observed when working on batteries: Determine if the battery is inadvertently grounded. If inadvertently grounded, remove the source from ground connection. Contact with any part of a grounded battery can result in electrical shock. The likelihood of such a shock can be reduced if grounds are removed during installation and maintenance. (This is applicable to equipment and remote battery supplies that do not have a grounded supply circuit.)



Troubleshooting and Event Log

See the chart below for explanation of UPS faults and warnings that can be accessed via the Event Log feature via the LCD screen or PowerAlert software, as well as suggested solutions for each fault/warning.

Fault/Alarm	LCD Header Message	LCD Screen Message	LCD Event Log Display (Event Type with Date/Time Stamp)	Fault Or Alarm?	Additional Comments
UPS Internal Errors/Faults:					
BUS Start Voltage Low	Inverter Error 1	Inverter error. Restart UPS. If issue persists, contact Tripp Lite.	mm/dd/yyyy Inv Err 1 hh:mm	UPS fault	
Bus Over Voltage	Inverter Error 2	Inverter error. Restart UPS. If issue persists, contact Tripp Lite.	mm/dd/yyyy Inv Err 2 hh:mm	UPS fault	
Bus Under Voltage	Inverter Error 3	Inverter error. Restart UPS. If issue persists, contact Tripp Lite.	mm/dd/yyyy Inv Err 3 hh:mm	UPS fault	
Bus Voltage Unbalance	Inverter Error 4	Inverter error. Restart UPS. If issue persists, contact Tripp Lite.	mm/dd/yyyy Inv Err 4 hh:mm	UPS fault	
Inverter Soft Start Failed	Inverter Error 5	Inverter error. Restart UPS. If issue persists, contact Tripp Lite.	mm/dd/yyyy Inv Err 5 hh:mm	UPS fault	
Inverter Over Voltage	Inverter Error 6	Inverter error. Restart UPS. If issue persists, contact Tripp Lite.	mm/dd/yyyy Inv Err 6 hh:mm	UPS fault	
Inverter Under Voltage	Inverter Error 7	Inverter error. Restart UPS. If issue persists, contact Tripp Lite.	mm/dd/yyyy Inv Err 7 hh:mm	UPS fault	
Inverter Short Circuit	Inverter Error 8	Inverter output short. Remove the source of short circuit from UPS output.	mm/dd/yyyy Inv Err 8 hh:mm	UPS fault	
Battery/Charger Related Errors/Faults:					
Charger Failure	Charger Failure	If issue persists, contact Tripp Lite.	mm/dd/yyyy Chrg Err 1 hh:mm	Warning	Charger is not working. No charge current.
Over Charge	Over Charge	If issue persists, contact Tripp Lite.	mm/dd/yyyy Chrg Err 2 hh:mm	Warning	Charger is working but charge voltage is too high.
Battery Over Voltage	Batt. Over Voltage	Check battery type used. If issue persists, contact Tripp Lite.	mm/dd/yyyy Batt Err 1 hh:mm Note: If the UPS shuts down from Batt Err 1, another event, "Batt Err 1 SD", is also logged on the event log screen.	UPS fault	
Battery Under Voltage	Batt. Under Voltage	Check battery type used. If issue persists, contact Tripp Lite.	mm/dd/yyyy Batt Err 2 hh:mm Note: If the UPS shuts down from Batt Err 2, another event, "Batt Err 2 SD", is also logged on the event log screen.	UPS fault	
Bad Battery	Bad Battery	Restart UPS. If issue persists, contact Tripp Lite.	mm/dd/yyyy Batt Err 3 hh:mm Note: If the UPS shuts down from Batt Err 3, another event, "Batt Err 3 SD", is also logged on the event log screen.	Warning	
Low Battery	Low Battery	Save your data before UPS shuts down.	mm/dd/yyyy Low Batt hh:mm Note: If the UPS shuts down from Low Batt, another event, "Low Batt SD", is also logged on the event log screen.	Warning	
Internal Battery Age Alert	Battery-Age Alert	Internal battery may need replacement.	mm/dd/yyyy Batt Alert 1 hh:mm	Warning	
External Smart Battery Age Alert	Battery-Age Alert	External Smart battery: {SerialNumber} may need replacement.	mm/dd/yyyy Batt Alert 2 hh:mm	Warning	
External Non-Smart Battery Age Alert	Battery-Age Alert	External battery may need replacement.	mm/dd/yyyy Batt Alert 3 hh:mm	Warning	
Smart Batt Changed	Smart Batt Changed	The number of Smart battery packs are changed at month/date/year hr: min. Runtime has been adjusted. If this change is unexpected, please check smart battery communications.	mm/dd/yyyy S BP Changed hh:mm	Warning	

Troubleshooting and Event Log

Fault/Alarm	LCD Header Message	LCD Screen Message	LCD Event Log Display (Event Type with Date/Time Stamp)	Fault Or Alarm?	Additional Comments
Load/Temperature Related Errors/Faults:					
Over Temperature Fault	Over Temp Fault	Check UPS ventilation and fan. If issue persists, contact Tripp Lite.	mm/dd/yyyy OverTempFault hh:mm Note: mm/dd/yyyy OverTemp SD hh:mm is also logged when the unit actually shuts down after being in fault mode.	UPS fault	At the time the over temperature threshold is reached, the OverTempFault event will be triggered and if AC is available, then depending on the fault mode setting, the unit will either transfer to Bypass mode or Standby mode. If AC is unavailable, the unit will transition to fault mode with output turned off, then shuts down.
Over Temperature (warning only)	Over Temp	Check UPS ventilation and fan. If issue persists, contact Tripp Lite.	mm/dd/yyyy OverTempAlert hh:mm	Warning	This is a warning threshold only. The unit should not take action based on this event other than to display and log the warning.
Overload Fault	Overload	Reduce connected load. Restart UPS.	mm/dd/yyyy Overload hh:mm (mm/dd/yyyy Overload SD hh:mm is also logged when the unit actually shuts down after being in fault mode)	UPS fault	At the time the overload fault is triggered, the Overload event will be logged and if AC is available, then depending on the fault mode setting, the unit will either transfer to Bypass mode or Standby mode. If AC is unavailable, the unit will transition to fault mode with output turned off, then shuts down. UPS will not intentionally shut down due to overload in this mode regardless how high the load is. Note: The circuit breaker may trip due to the overload.
Overload Warning	Overload Alarm	Reduce connected load.	mm/dd/yyyy Overload ALM hh:mm	Warning	Overload warning is triggered when the load level is between 100% to 105% or when load level reaches the preconfigured overload warning level.
Other Warnings and Events:					
EPO Active	EPO Active	Check EPO switch. If issue persists, contact Tripp Lite.	mm/dd/yyyy EPO SD hh:mm	Warning	
Bypass Out of Range	Bypass Range Error	Check AC input volt. and freq. If issue persists, contact Tripp Lite.	mm/dd/yyyy Bypass Err 1 hh:mm	Warning	AC input voltage might be meeting the preconfigured bypass range requirement, see Operations section for more information.
Bypass Frequency Unstable	Bypass Freq. Error	Check AC input freq. If issue persists, contact Tripp Lite.	mm/dd/yyyy Bypass Err 2 hh:mm	Warning	
On Battery	N/A	N/A	mm/dd/yyyy On Batt hh:mm Note: If the UPS shuts down in Battery Mode based on preconfigured delay, "On Battery" will be replaced with "Timed SD", and logged as another event.	Normal	
AC Failure	N/A	N/A	mm/dd/yyyy AC Failure hh:mm Note: If valid AC returns, "On Utility" is logged as another event.	Normal	

Internal Battery Replacement

Battery Replacement Door: Under normal conditions, the original battery in your UPS will last several years. Battery replacement should be performed only by qualified service personnel. Refer to “Battery Warnings” in the Safety section. If you require a replacement battery, you can find it at www.tripplite.com/support/battery/index.cfm. See the chart below to find the right replacement battery for your UPS system:

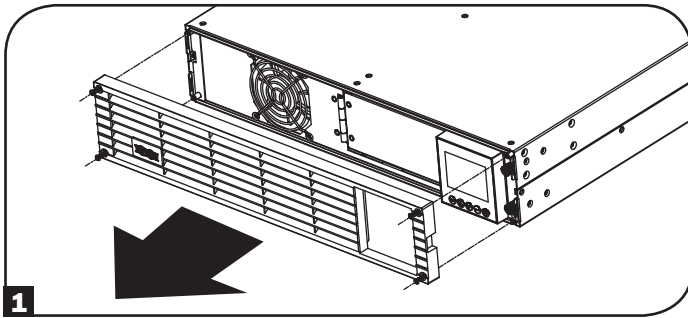
UPS Model	Replacement Battery Cartridge
SUINT1000LCD2U	RBC24S
SUINT1500LCD2U	RBC36S
SUINT2200LCD2U	RBC48S
SUINT3000LCD2U / SU3000LCD2UHV	RBC72S

See the following diagrams for battery removal and installation procedures.

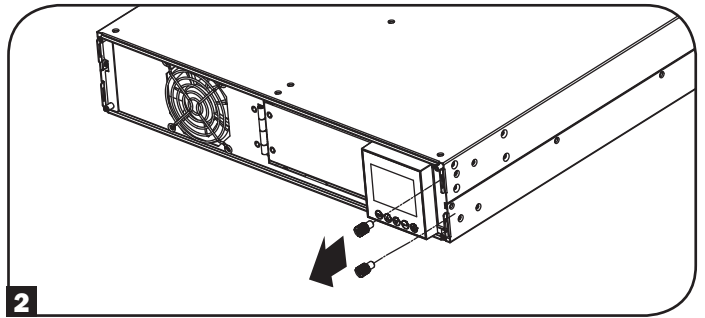
All Models

Note: The SUINT1000LCD2U is shown, but the procedure is the same for the other units.

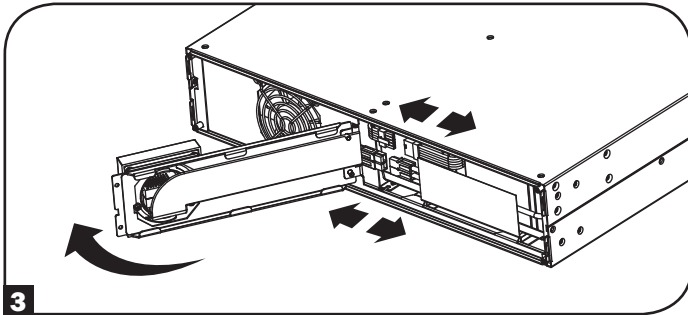
- 1** Remove the four front screws from the front bezel and take it off.



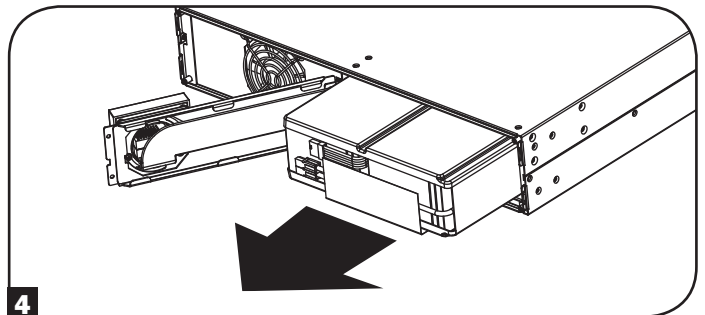
- 2** Loosen the two screws securing the front plate.



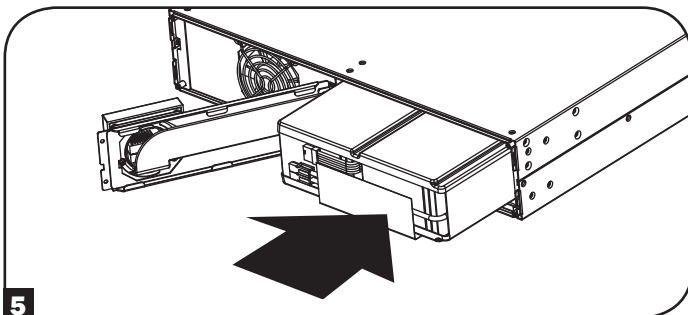
- 3** Open the front plate. Disconnect battery power cable and communication cable.



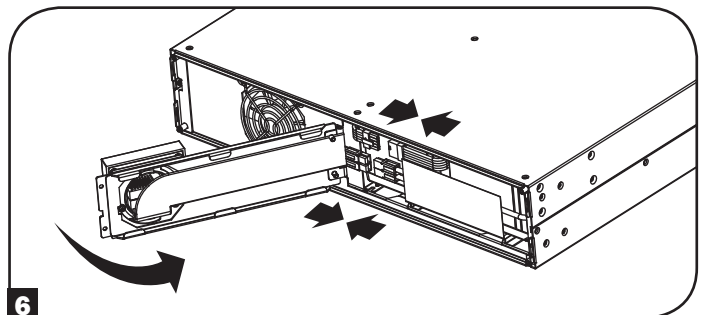
- 4** Remove old battery pack.



- 5** Install new battery pack into the UPS in the same position as the original pack.

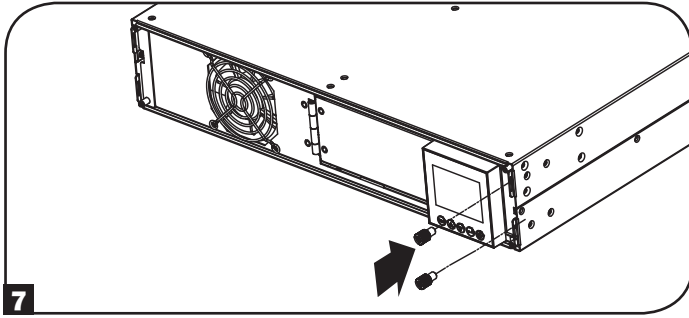


- 6** Reconnect battery power cable and communication cable. Close the front plate.

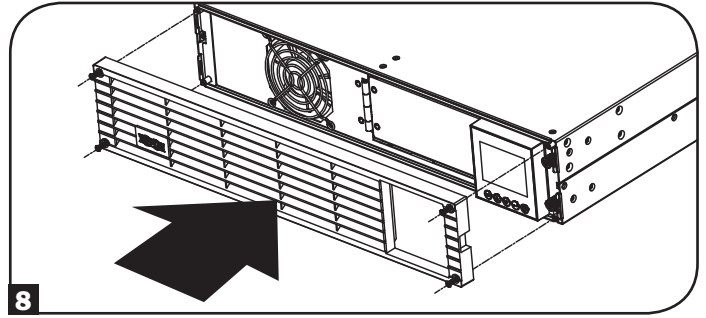


Internal Battery Replacement

7 Tighten the two screws to secure the front plate.



8 Replace the four front screws to secure the bezel.



Storage and Service

Storage

First turn your UPS OFF: press the “OFF” switch to turn power off at the UPS outlets, then disconnect the power cord from the wall outlet. Next, disconnect all equipment to avoid battery drain. If you plan on storing your UPS for an extended period of time, fully recharge the UPS batteries once every three months by plugging the UPS into a live AC outlet and letting the UPS charge for 4-6 hours. If you leave your UPS batteries discharged for an extended period of time, they may suffer permanent loss of capacity.

Service

A variety of Extended Warranty and On-Site Service Programs are also available from Tripp Lite. For more information on service, visit www.tripplite.com/support. Before returning your product for service, follow these steps:

1. Review the installation and operation procedures in this manual to insure that the service problem does not originate from a misreading of the instructions.
2. If the problem continues, do not contact or return the product to the dealer. Instead, visit www.tripplite.com/support.
3. If the problem requires service, visit www.tripplite.com/support and click the Product Returns link. From here you can request a Returned Material Authorization (RMA) number, which is required for service. This simple on-line form will ask for your unit's model and serial numbers, along with other general purchaser information. The RMA number, along with shipping instructions will be emailed to you. Any damages (direct, indirect, special or consequential) to the product incurred during shipment to Tripp Lite or an authorized Tripp Lite service center is not covered under warranty. Products shipped to Tripp Lite or an authorized Tripp Lite service center must have transportation charges prepaid. Mark the RMA number on the outside of the package. If the product is within its warranty period, enclose a copy of your sales receipt. Return the product for service using an insured carrier to the address given to you when you request the RMA.

Product Registration

Visit www.tripplite.com/warranty today to register your new Tripp Lite product. You'll be automatically entered into a drawing for a chance to win a FREE Tripp Lite product!*

* No purchase necessary. Void where prohibited. Some restrictions apply. See website for details.

Regulatory Compliance Identification Numbers:

For the purpose of regulatory compliance certifications and identification, your Tripp Lite product has been assigned a unique series number. The series number can be found on the product nameplate label, along with all required approval markings and information. When requesting compliance information for this product, always refer to the series number. The series number should not be confused with the marketing name or model number of the product.

FCC Specifications for Models with FCC Class A Approval:

This device complies with part 15 of the FCC Rules. Operation is subject to the following two conditions: (1) This device may not cause harmful interference, and (2) this device must accept any interference received, including interference that may cause undesired operation.

Note: This equipment has been tested and found to comply with the limits for a Class A digital device, pursuant to part 15 of the FCC Rules. These limits are designed to provide reasonable protection against harmful interference when the equipment is operated in a commercial environment. This equipment generates, uses, and can radiate radio frequency energy and, if not installed and used in accordance with the instruction manual, may cause harmful interference to radio communications. Operation of this equipment in a residential area is likely to cause harmful interference in which case the user will be required to correct the interference at his own expense. The user must use shielded cables and connectors with this equipment. Any changes or modifications to this equipment not expressly approved by Tripp Lite could void the user's authority to operate this equipment.

EMC Specifications for Models with EMC Category C2 Approval (Select Models):

WARNING: This is a category C2 UPS product. In a residential environment, this product may cause radio interference, in which case the user may be required to take additional measures.

WEEE Compliance Information for Tripp Lite Customers and Recyclers (European Union)



Under the Waste Electrical and Electronic Equipment (WEEE) Directive and implementing regulations, when customers buy new electrical and electronic equipment from Tripp Lite they are entitled to:

- Send old equipment for recycling on a one-for-one, like-for-like basis (this varies depending on the country)
- Send the new equipment back for recycling when this ultimately becomes waste

FCC Part 68 Notice (United States Only)

If your Modem/Fax Protection causes harm to the telephone network, the telephone company may temporarily discontinue your service. If possible, they will notify you in advance. If advance notice isn't practical, you will be notified as soon as possible. You will be advised of your right to file a complaint with the FCC. Your telephone company may make changes in its facilities, equipment, operations or procedures that could affect the proper operation of your equipment. If it does, you will be given advance notice to give you an opportunity to maintain uninterrupted service. If you experience trouble with this equipment's Modem/Fax Protection, please visit www.tripplite.com/support for repair/warranty information. The telephone company may ask you to disconnect this equipment from the network until the problem has been corrected or you are sure the equipment is not malfunctioning. There are no repairs that can be made by the customer to the Modem/Fax Protection. This equipment may not be used on coin service provided by the telephone company. Connection to party lines is subject to state tariffs. (Contact your state public utility commission or corporation commission for information.)

UPS and Battery Recycling



Pb

Please recycle Tripp Lite Products. The batteries used in Tripp Lite products are sealed Lead-Acid batteries. These batteries are highly recyclable. Please refer to your local codes for disposal requirements.

You can call Tripp Lite for recycling info at +1.773.869.1234.

You can go the Tripp Lite Website for up-to-date information on recycling the batteries or any Tripp Lite product. Please follow this link: <http://www.tripplite.com/en/support/recycling-program.cfm>

Tripp Lite has a policy of continuous improvement. Specifications are subject to change without notice.



1111 W. 35th Street, Chicago, IL 60609 USA • www.tripplite.com/support

Manual del Propietario

Sistemas UPS SmartOnline®

Monofásicos en Línea para Instalación en Rack
con Pantalla LCD Integrada para Monitoreo y Control

No es adecuado para aplicaciones móviles.

SUINT1000LCD2U (Número de Serie: AGPS8294) SUINT1500LCD2U (Número de Serie: AGPS8295) SUINT2200LCD2U (Número de Serie: AGPS7958) SUINT3000LCD2U (Número de Serie: AGPS7959) SU3000LCD2UHV (Número de Serie: AGPS8296)

1. Descripción General	28	7. Operaciones	36
Lista de Partes	28	Pantalla de LCD y Controles del Panel Frontal	36
Opciones de Accesorios Adicionales	28	Funciones de los Botones del Panel Frontal	37
Accesorios Específicos del Modelo	28	Distribución de la Pantalla de Inicio	37
2. Instrucciones Importantes de Seguridad	28	Opciones de Selección de Estrategia de Energía	38
3. Diagrama de Bloques del Circuito del UPS	29	Opciones de Selección y Configuración del LCD del panel Frontal del UPS	40
4. Instalación	30	Configuración de los Módulos de Baterías Externas	43
Instalación en Rack	30	8. Conexiones Opcionales	45
Instalación en Torre	31	9. Solución de Problemas y Registro de Eventos	48
5. Conexiones Básicas y Arranque	32	10. Reemplazo de la Batería Interna	50
Guía de Inicio Rápido	32	11. Almacenamiento y Servicio	51
6. Características	34	12. Cumplimiento de las normas	52
Controles del Panel Frontal, Grupo de LEDs y Pantalla LCD	34	English	1
Características del Panel Posterior	34	Français	53
		Русский	79
		Deutsch	105

Guía de Inicio Rápido—
Página 32

NOTA: Las opciones de módulos de baterías externas requieren configuración usando la interfaz de LCD del Panel frontal LCD o mediante el software de CONFIGURACIÓN DE BATERÍA EXTERNA de Tripp Lite.



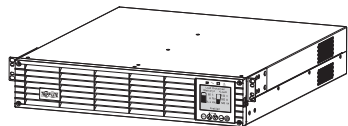
1111 W. 35th Street, Chicago, IL 60609 USA • www.tripplite.com/support

Copyright © 2016 Tripp Lite. Todos los derechos reservados. SmartOnline® es una marca registrada de Tripp Lite. Para obtener las actualizaciones más recientes, visite www.tripplite.com

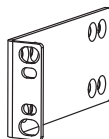
Descripción General

Sistemas UPS SmartOnline para Instalación en Rack de Tripp Lite; con interfaz de LCD interactiva cuenta con protección de UPS de doble conversión, en línea, con salida permanente de onda sinusoidal y cero tiempo de transferencia adecuado para todas las aplicaciones avanzadas de red. Cada sistema proporciona respaldo por batería de larga duración con autonomía extendida opcional y capacidad de comunicaciones por Web. Las interfaces incorporadas incluyen USB, serial RS-232 y Apagado de Emergencia (EPO). La pantalla LCD interactiva del panel frontal proporciona estado detallado del UPS, opciones de configuraciones predeterminadas y control. La eficiencia máxima opcional y las opciones de estrategia de energía auto-adaptable permiten la operación con alta eficiencia con consumo de energía y emisión de calor reducidos.

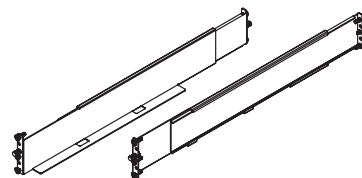
Lista de Partes



Sistema UPS



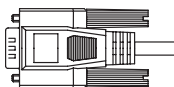
Orejas de Instalación Atornillables (2)



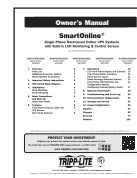
Juego de riel para 4 postes



Cable USB



Cable RS-232



Manual del Propietario

Accesorios Adicionales (Todos los Modelos; Opcional)*

- SNMPWEBCARD: tarjeta de interfaz de red para control y monitoreo por SNMP/Web
- WEBCARDLX: Tarjeta Para Administración Web
- 2POSTRMKITWM: Soporta UPS y módulos de baterías para instalación en rack en configuraciones para instalación en rack de 2 postes o instalación en pared
- 2-9USTAND: Soporta UPS y módulos de baterías en configuración de torre vertical

* Modelos selectos se embarcan también con cables adaptadores opcionales de Entrada/Salida.

Accesorios Específicos del Modelo (Opcionales)*

Modelo de UPS	SUINT1000LCD2U	SUINT1500LCD2U	SUINT2200LCD2U	SUINT3000LCD2U / SU3000LCD2UHV
Módulos de Baterías Externas "SMART"***	BP24V36-2US	BP36V27-2US	BP48V27-2US	BP72V18-2US
Módulos de Baterías Externas "NON-SMART"***	BP24V15RT2U (límite 1), BP24V28-2U (límite 1), BP24V70-3U	BP36V15-2U (límite 1) BP36V42-3U	BP48V24-2U (límite 1) BP48V60RT3U	BP72V15 (límite 1) BP72V28RT3U

* Para información detallada de autonomía extendida y opciones de accesorios adicionales, visite la página de especificación para su Sistema UPS en www.tripplite.com.

** Para configuración de batería externa, consulte opciones y método de configuración en la sección de **Operaciones**. Los módulos de baterías SMART son detectados automáticamente por el UPS.

Instrucciones Importantes de Seguridad



CONSERVE ESTAS INSTRUCCIONES

Este manual contiene instrucciones y advertencias que deben seguirse durante la instalación, operación y almacenamiento de todos los Sistemas UPS de Tripp Lite. La omisión en la observancia de estas advertencias puede afectar su garantía.

Advertencias para la Ubicación del UPS

- Instale su UPS en interiores, alejado de humedad o calor excesivos, contaminantes conductores, polvo o luz solar directa.
- Para mejor desempeño, mantenga la temperatura interior entre 0° C y 40° C.
- Deje espacio adecuado alrededor del UPS para una ventilación apropiada.
- **No instale la unidad con su panel frontal o posterior viendo hacia abajo (en cualquier ángulo). El instalar de esta manera inhibirá seriamente el enfriamiento interno de la unidad, causando eventualmente daño al producto no cubierto por la garantía.**

Instrucciones Importantes de Seguridad



Advertencias para la Conexión del UPS

- Conecte su UPS directamente a un tomacorriente de CA conectado correctamente a tierra. No enchufe el UPS en sí mismo; esto dañará al UPS.
- No modifique la clavija del UPS y no use un adaptador que pueda eliminar la conexión a tierra del UPS.
- No use cables de extensión para conectar el UPS a un tomacorriente de CA. Si utiliza supresores de sobretensiones distintos a los Tripp Lite para conectar su UPS a un tomacorriente, invalidará su garantía.
- Si el UPS recibe alimentación de un generador de CA activado por motor, debe probarse que el generador proporciona una salida de grado computadora, limpia y filtrada.
- El tomacorriente que alimenta al UPS debe estar próximo al UPS y ser fácilmente accesible.
- Para eliminar el voltaje de CA del UPS, extraiga la clavija del tomacorrientes.

Advertencias para la Conexión del Equipo

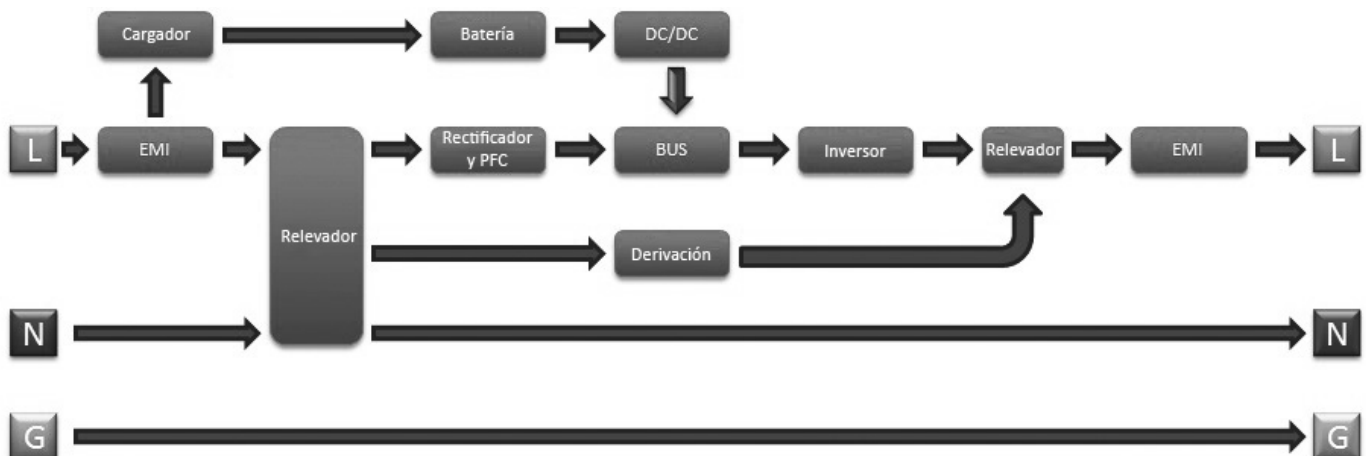
- No se recomienda el uso de este equipo en aplicaciones de soporte de vida en donde la falla de este equipo pueda consecuentemente causar la falla del equipo de soporte de vida o afectar significativamente su seguridad o efectividad.
- No conecte supresores de sobretensiones o cables de extensión a la salida de su UPS. Esto puede dañar al UPS y afectar las garantías del supresor de sobretensiones y del UPS.
- Conecte el UPS a un tomacorriente que esté correctamente protegido contra corrientes excesivas, cortocircuitos, y fallas de conexión a tierra como parte de la instalación del edificio. La protección del tomacorrientes para el UPS debe estar en serie con la alimentación principal.
- Para reducir el riesgo de incendio, conecte solo a un circuito que tenga una protección contra sobre-corriente del circuito derivado con una especificación de amperes de acuerdo con el National Electrical Code® (NEC®), ANSI/NFPA 70 o su código eléctrico local. En Europa, el breaker debe cumplir la norma IEC/EN 60934 y tener una abertura de l contacto de al menos 3 mm. El breaker recomendado para instalaciones en edificios es de 240V/20A.

Advertencias de la Batería

- Las baterías pueden presentar un riesgo de descarga eléctrica y quemaduras por la alta corriente de corto circuito. Observe las precauciones apropiadas. No deseche las baterías en un fuego. No abra el UPS o las baterías. No ponga en corto o puentee las terminales de la batería con objeto alguno. Desenchufe y apague el UPS antes de ejecutar el reemplazo de la batería. Use herramientas con mangos aislados. No hay partes dentro del UPS a las que el usuario pueda dar servicio. El reemplazo de la batería debe realizarlo sólo personal de servicio autorizado usando el mismo número y tipo de baterías (Plomo-Ácido Selladas). Las baterías son reciclables. Para información sobre el reciclado, refiérase a sus códigos locales para los requisitos de desecho o visite www.tripplite.com/UPSbatteryrecycling. Tripp Lite ofrece una línea completa de Cartuchos de Batería de Repuesto (R.B.C.) para Sistema UPS. Visite Tripp Lite en el sitio www.tripplite.com/support/battery/index.cfm para determinar la batería de repuesto específica para su UPS.

Nota: Para la configuración de la batería externa, consulte opciones y método de configuración en la sección de **Operaciones**. Los **MÓDULOS DE BATERÍAS SMART** son detectados automáticamente por el UPS.

Diagrama de Bloques del Circuito del UPS



Instalación

Instalación en Rack

instale su equipo en un rack o gabinete de 4 postes o de 2 postes. Antes de la instalación, el usuario debe determinar la adecuación de los accesorios y procedimientos. Si los accesorios y procedimientos no son adecuados para su aplicación, póngase en contacto con el fabricante de su rack o gabinete. Los procedimientos descritos en este manual son para tipos comunes de racks y gabinetes y pueden no ser apropiados para todas las aplicaciones.

Instalación en 4 Postes

- 1 Las espigas de plástico **A** incluidas soportarán temporalmente los entrepaños **B** vacíos para instalación en rack mientras usted instala los accesorios de instalación permanentes. Inserte una espiga en el tercer orificio de la parte superior en el frente de cada soporte. En el extremo posterior, inserte una espiga en el orificio central. (Cada soporte frontal tiene 6 orificios y cada soporte trasero tiene 5 orificios). Las espigas se abrocharán en su lugar.

Después de instalar las espigas, expanda cada entrepaño para hacer coincidir la profundidad de los rieles de su rack. Las espigas ajustarán a través de los orificios cuadrados en los rieles del rack para soportar los entrepaños. Consulte las etiquetas en la unidad de rack para confirmar que los entrepaños estén nivelados en todas direcciones.

Nota: El borde de apoyo de cada entrepaño debe apuntar hacia adentro.

- 2 Retire las espigas en el extremo frontal de cada soporte. Asegure permanentemente los entrepaños **B** a los rieles de instalación usando los tornillos y las arandelas de copa **C** como se muestra. Coloque 2 tornillos en el frente de cada riel (4 en total) y 2 tornillos en la parte posterior de cada riel (4 en total). Apriete todos los tornillos antes de continuar.

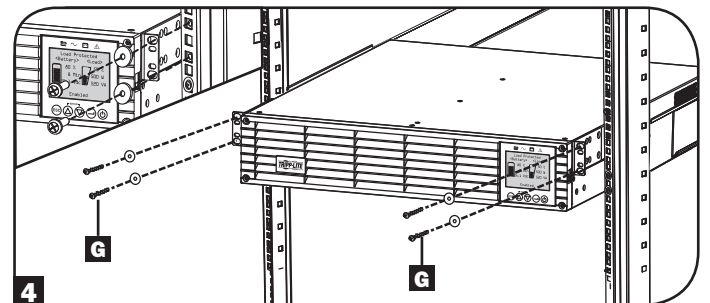
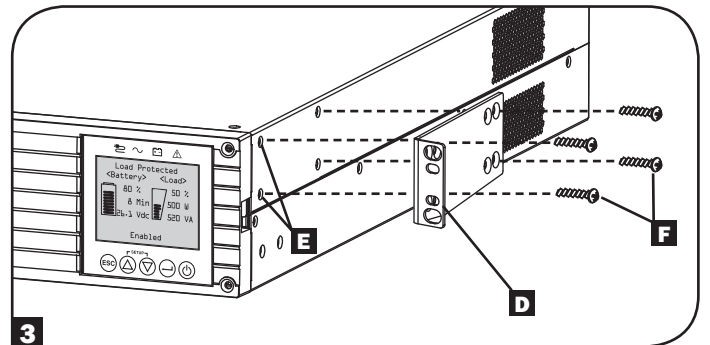
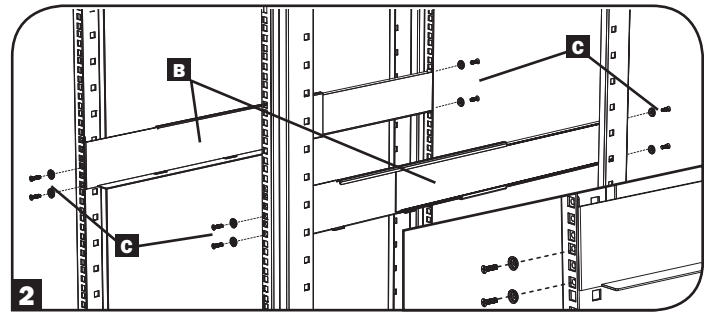
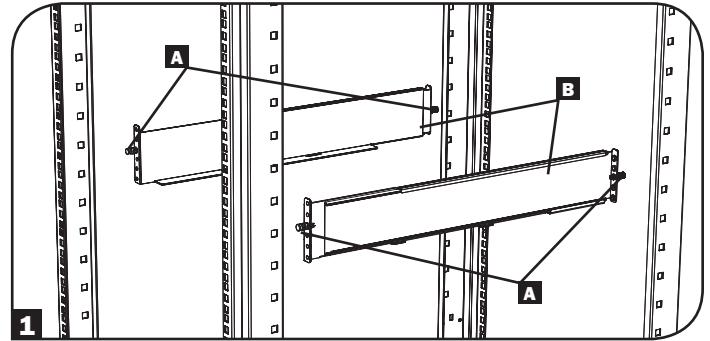
Nota: Las espigas posteriores pueden dejarse colocadas para instalación, pero las delanteras deben retirarse antes de fijar con tornillos el soporte.

¡ADVERTENCIA!

No intente instalar su UPS hasta que haya insertado y apretado los tornillos requeridos. Las espigas de plástico no soportarán el peso de su UPS.

- 3 Coloque los soportes de instalación de su UPS **D** a los orificios delanteros de instalación **E** del UPS usando los accesorios incluidos **F**. Las "orejas" del soporte de instalación deben apuntar al frente.

- 4 Con la ayuda de un asistente (si fuera necesario), levante su UPS y deslícelo en los entrepaños. Coloque los soportes de instalación del UPS en los rieles de instalación delanteros con los tornillos y arandelas suministrados por el usuario **G**. Apriete con firmeza todos los tornillos.



Instalación en 2 Postes

Si instala modelos de UPS de 2U en racks de 2 postes, éstos requieren la adición de un Juego de Instalación para Rack de 2 Postes de Tripp Lite (modelo: 2POSTRMKITWM, vendido por separado). Para el procedimiento de instalación consulte el manual del propietario del juego de instalación.

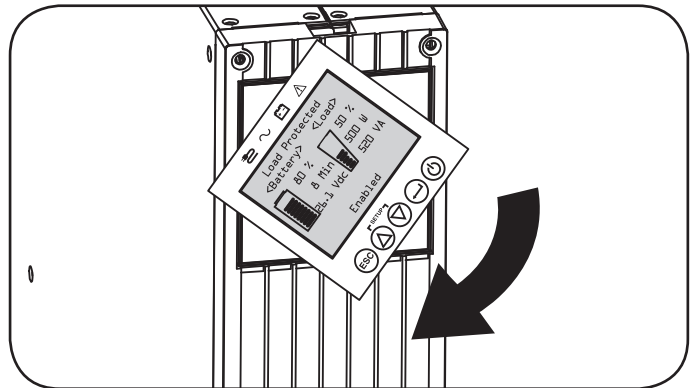
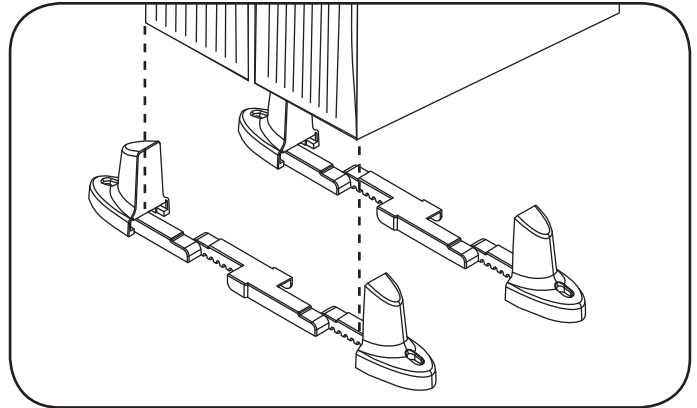
Instalación

Instalación en Torre

Su UPS puede instalarse en una posición de torre vertical con los soportes de base opcionales vendidos por separado por Tripp Lite (modelo: 2-9USTAND). Al instalar el UPS sobre soportes de base ajustables, asegúrese de que el panel de control quede hacia la parte superior. El panel de control puede girarse para facilitar la lectura. Retire los 4 tornillos delanteros del panel frontal y extráigalo. Pique las lengüetas ubicadas en los costados del panel LCD y gírelo. Reinstale el panel frontal y fíjelo. La configuración el panel frontal debe ejecutarla personal de servicio solamente.

¡ADVERTENCIA!

Todos los sistemas UPS son extremadamente pesados. Tenga cuidado el levantarlos e instalarlos. El usuario debe estabilizar adecuadamente el UPS al levantarlo e instalarlo.



Modelo de UPS	SUINT1000LCD2U	SUINT1500LCD2U	SUINT2200LCD2U	SUINT3000LCD2U / SU3000LCD2UHV
Dimensiones del UPS (Al x An x Pr)	8.6 x 43.8 x 39.6 cm	8.6 x 43.8 x 49.6 cm	8.6 x 43.8 x 49.6 cm	8.6 x 43.8 x 61.6 cm

Altitud de Operación: 0 a 3000 m

NOTA SOBRE LA CONFIGURACIÓN DE LA BATERÍA EXTERNA

Si se usarán módulos de baterías externas con este UPS, instálalos siguiendo la documentación para la instalación, incluida con cada módulo de baterías. La instalación de módulos de baterías externas requiere que el UPS se configure en alguna de dos formas distintas:

1. Mediante la interfaz LCD del panel frontal del UPS
2. Mediante el software para CONFIGURACIÓN DE BATERÍAS EXTERNAS de Tripp Lite

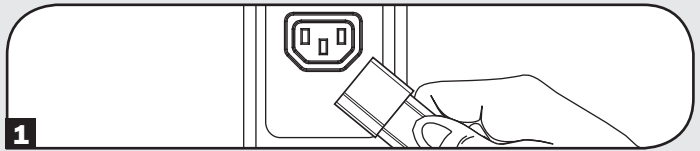
Este UPS esté programado de fábrica con curvas de descarga y perfiles de carga para configuraciones de módulos de baterías externos accesibles mediante la interfaz LCD del panel frontal del UPS. Las opciones de módulos de baterías externas adicionales que usan módulos de baterías externas más grandes o múltiples también son soportadas, pero requieren de configuración usando el software para CONFIGURACIÓN DE BATERÍAS EXTERNAS de Tripp Lite y una conexión de puerto serial al UPS.

Guía de Inicio Rápido - Encendido Inicial del UPS

1 Enchufe el cable de alimentación de su UPS en un tomacorriente

Su UPS debe estar conectado a un circuito dedicado con suficiente capacidad en amperes.

Para más detalles, refiérase a la tabla de clasificación etiquetada en el UPS.

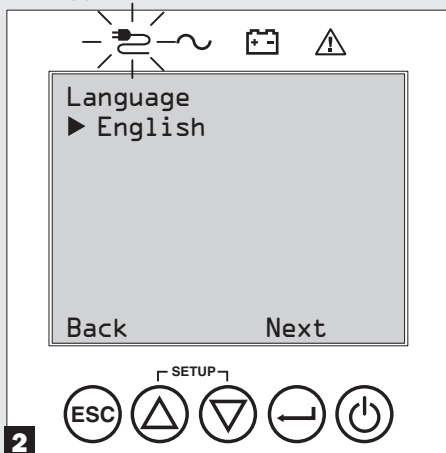


2 Seleccione su Idioma

Cuando se conecte su UPS por primera vez, se encenderá el LED IMPUT AC y la pantalla LCD del panel frontal solicitará una selección de idioma.

Usando los botones UP / DOWN (▲▼), seleccione su preferencia de idioma, después oprima el botón NEXT (→).

La interfaz confirmará su selección y proporcionará opciones para regresar (oprime BACK (ESC)) o adelantar al siguiente paso (oprime NEXT (→)).

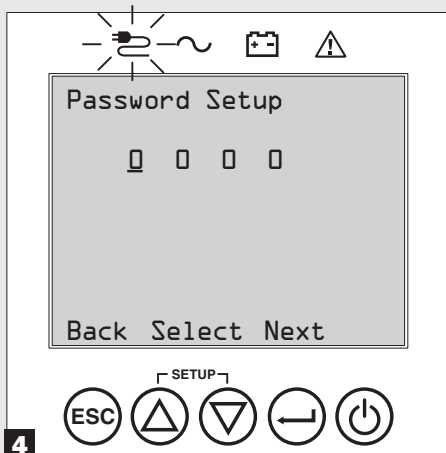


4 Seleccione su Contraseña

A continuación, el UPS le solicitará seleccionar la CONTRASEÑA deseada.

Usando los botones UP / DOWN (▲▼), seleccione el primer dígito de su contraseña deseada y oprima el botón NEXT (→) para avanzar al segundo dígito. Repita para los dígitos 2 a 4.

Nota: Para configurar rápidamente la contraseña en "0 0 0 0" oprime cuatro veces el botón NEXT.

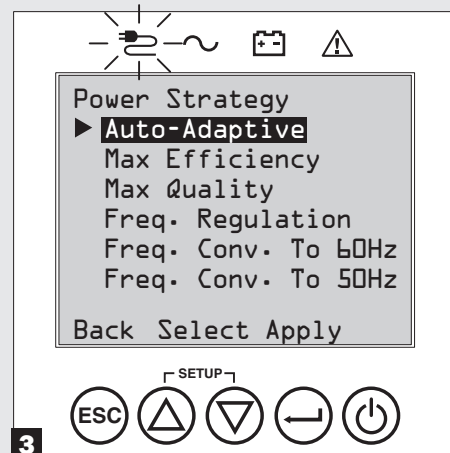


3 Seleccione su Estrategia de Energía

A continuación, el UPS le solicitará seleccionar la ESTRATEGIA DE ENERGÍA deseada.

Usando los botones UP / DOWN (▲▼), seleccione su preferencia de ESTRATEGIA DE ENERGÍA y oprima el botón APPLY (→).

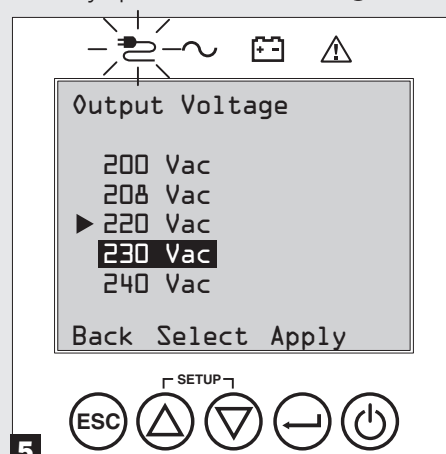
Para consultar las características de operación de cada estrategia de energía, vea las secciones de **Opciones de Estrategia de Energía** y **Modos de Operación del UPS** bajo la sección de Operaciones.



5 Seleccione el voltaje de salida del UPS

Después, el UPS le solicitará seleccionar el VOLTAJE DE SALIDA deseado.

Usando los botones UP / DOWN (▲▼), seleccione el voltaje de salida del UPS y oprima el botón APPLY (→).

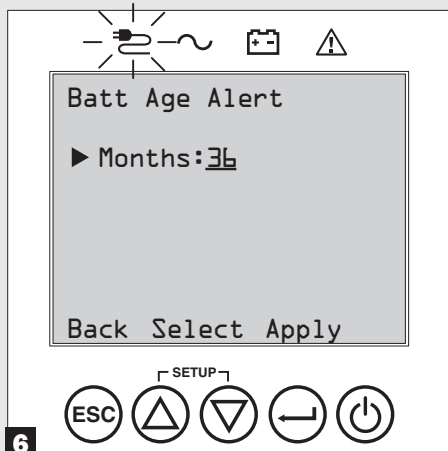


Conexiones Básicas y Arranque

6 Seleccione la Alerta de Envejecimiento de la Batería del UPS

A continuación, el UPS le solicitará seleccionar la programación de la ALERTA DE ENVEJECIMIENTO DE LA BATERÍA.

Usando los botones UP / DOWN (▲▼), seleccione el tiempo de la alerta de envejecimiento de la batería en meses, después oprima el botón APPLY (◻).

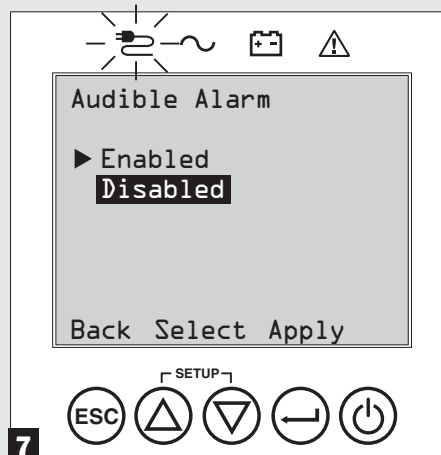


7 Seleccione el estado ACTIVO / INACTIVO de la alarma acústica

Después, el UPS le solicitará seleccionar el estado ACTIVO / INACTIVO de la alarma.

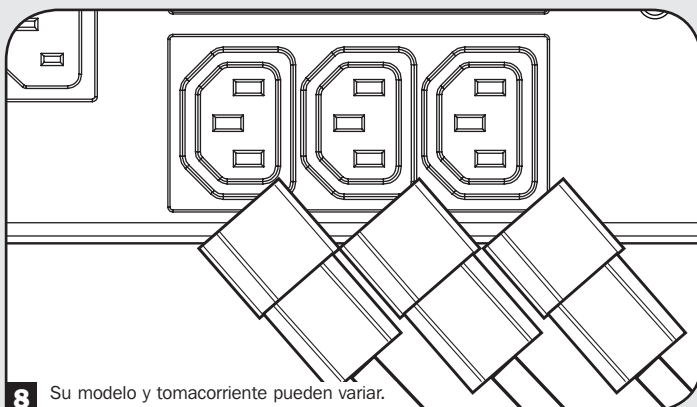
Usando los botones UP / DOWN (▲▼), seleccione el estado ACTIVO / INACTIVO de la alarma, después oprima el botón APPLY (◻).

Nota: La inactivación de la alarma evita que la alarma acústica suene durante fallas del suministro eléctrico y condiciones de falla del UPS solamente. La alarma aún emitirá aún un "tono" para confirmar la orden del operador mediante los botones de navegación del LCD del panel frontal cuando se inactive la alarma.



8 Enchufe su equipo en el UPS.

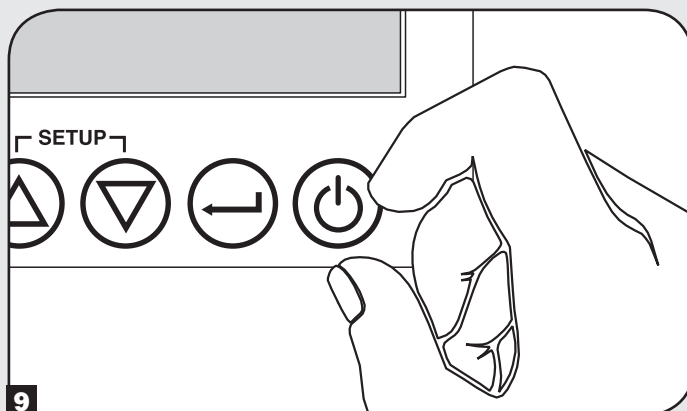
Su UPS está diseñado para soportar solamente equipo de red, servidor y cómputo.



Su modelo y tomacorriente pueden variar.

9 Encienda su UPS

Oprima y sostenga el botón "POWER" [Encendido] (⏻) por 3 segundos y suéltelo cuando la alarma empiece a sonar.



El UPS iniciará entonces una serie de comprobaciones de diagnóstico antes de activar la energía de salida. Una vez que el UPS reporta el estado de operación NORMAL / CARGA PROTEGIDA con la ESTRATEGIA DE ENERGÍA activada, su UPS puede ponerse inmediatamente en servicio para proporcionar protección confiable contra una amplia variedad de problemas de energía.

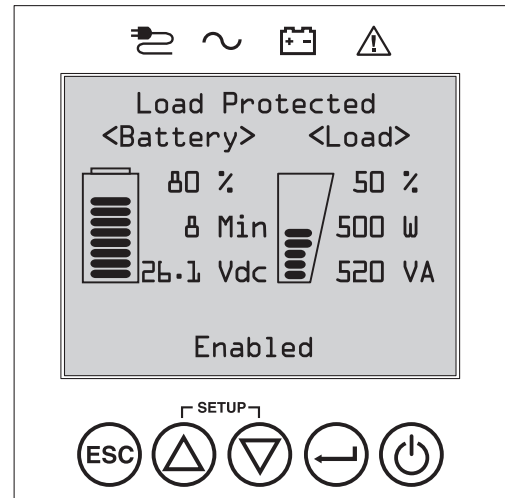
Características

Antes de instalar y operar su UPS, familiarícese con las ubicaciones y función de las características de cada componente.

Controles del Panel Frontal, Grupo de LEDs y Pantalla LCD

El LCD gráfico en el panel frontal contiene una amplia gama de condiciones de operación y datos de diagnóstico del UPS. Muestra además las configuraciones y opciones del UPS cuando se visualizan las pantallas de configuraciones del UPS. Los cinco botones debajo del LCD pueden usarse para navegar en las diversas pantallas de información, configuración y control del UPS siguiendo las indicaciones y opciones de selección en la pantalla. Los indicadores LED adicionales arriba de la pantalla LCD proporcionan también en una ojeada el estado de la fuente de entrada de CA, disponibilidad de salida, estado de la batería y estado de advertencia/falla.

Para descripciones detalladas de funciones del LCD, botones y LEDs, consulte la sección de **Operaciones**.



Características del Panel Posterior

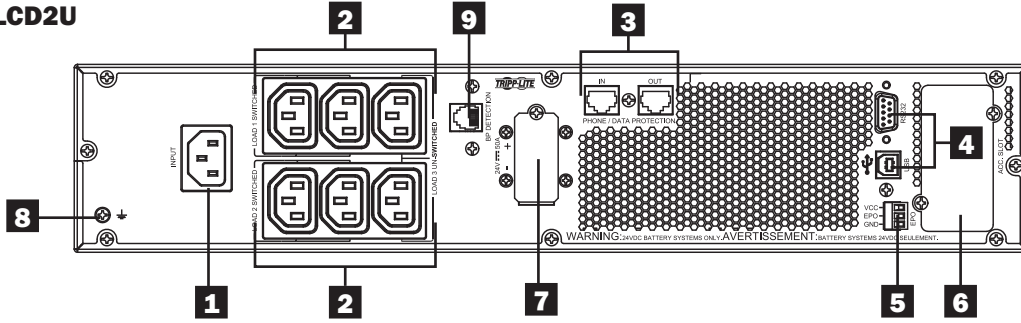
- 1 Conexión del Cable de Alimentación:** Este conecta a la energía de CA mediante un cable con la clavija específica del país suministrado por el usuario o un cable de alimentación.
- 2 Tomacorrientes de CA (varía por modelo):** Estos tomacorrientes alimentan a su equipo conectado con una salida de CA de onda sinusoidal pura durante la operación normal y energía de batería durante apagones y caídas de voltaje severas. La energía provista por estos tomacorrientes está filtrada para proteger a los equipos conectados contra las dañinas sobretensiones y ruidos en la línea. Los tomacorrientes están divididos en bancos de carga numerados, como está etiquetado en la unidad. Mediante el uso del Software PowerAlert y cableado, los bancos de carga uno y dos pueden apagarse y encenderse individualmente desde una ubicación remota, permitiendo a los usuarios restaurar o reiniciar el equipo conectado.
- 3 Enchufes con Protección para Teléfono o Teléfono/Red:** Estos enchufes protegen a su equipo contra sobretensiones sobre una línea telefónica o línea de datos telefónica/red. La conexión de su equipo a estos conectores es opcional. Su UPS trabajará correctamente sin esta conexión.
Nota: No es compatible con aplicaciones de PoE (Energía sobre la Ethernet).
- 4 Puertos de Comunicaciones (USB o RS-232):** Estos puertos conectan su UPS a cualquier estación de trabajo o servidor. Use con el Software PowerAlert de Tripp Lite y los cables incluidos para habilitar su computadora para guardar automáticamente los archivos abiertos y apague el equipo durante un apagón. Use también el Software PowerAlert para monitorear una amplia variedad de condiciones de la alimentación de CA y operación del UPS. Para más información, consulte su manual del Software PowerAlert o póngase en contacto con Soporte al Cliente de Tripp Lite. El puerto RS-232 de 9 terminales permite además comunicaciones de contacto seco. Consulte **Comunicaciones USB y Serial RS-232** en la sección **Conexiones Opcionales** para las instrucciones de instalación.
- 5 Puerto EPO, (Emergency Power Off), [Apagado de Emergencia]:** Su UPS cuenta con un puerto EPO que puede usarse para conectar el UPS a un interruptor de cierre de contacto para activar el apagado de emergencia del inversor. Para detalles, consulte la sección **Conexiones Opcionales**.
- 6 Ranura Auxiliar:** Retire el panel pequeño de la cubierta de esta ranura para usar accesorios opcionales para monitorear y controlar su UPS en forma remota. Visite www.tripplite.com para ver una lista completa de accesorios, incluyendo la WEBCARDLX para monitoreo y control remoto del UPS, así como una amplia variedad de productos para administración de redes y conectividad.
- 7 Conector del Módulo de Baterías Externas (la configuración varía según el modelo):** Su UPS soporta el uso de módulos opcionales de baterías externas de Tripp Lite para una autonomía adicional. Para instrucciones de configuración, vea la sección **Accesorios por Modelo Específico** bajo la sección de Descripción General para consultar modelos compatibles y limitaciones y la sección de **Configuración de Módulos de Baterías Externas** bajo la sección **Operaciones**.

Nota: Las opciones de módulos de baterías externas requieren configuración usando la interfaz de LCD del Panel frontal LCD o mediante el software de CONFIGURACIÓN DE BATERÍA EXTERNA de Tripp Lite.

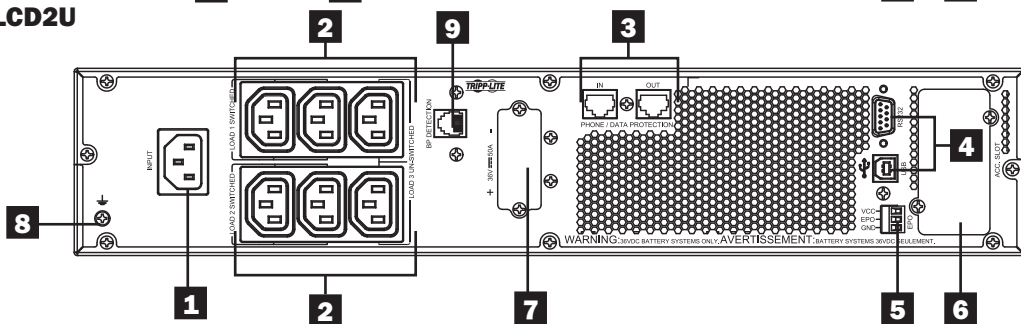
- 8 Tornillo de Conexión a Tierra:** Úselo para conectar cualquier equipo que requiera una conexión de tierra a chasis.
- 9 Puerto de Detección de Batería Externa:** Para baterías externas con comunicación incorporada, al conectar el cable de comunicación de la batería en este puerto permitirá al UPS detectar automáticamente la batería externa.

Características

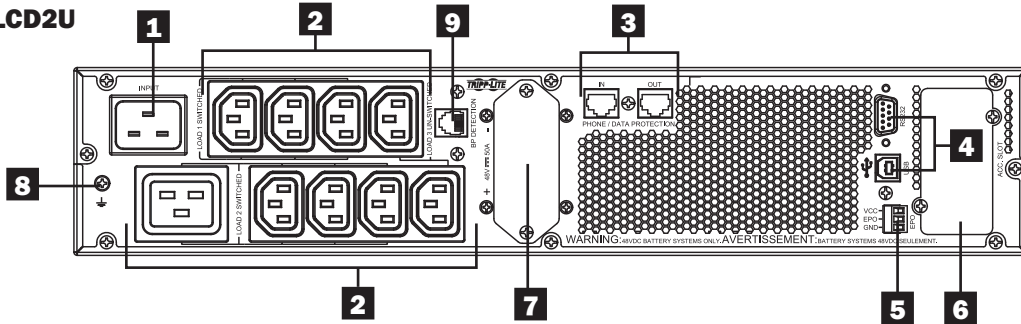
SUINT1000LCD2U



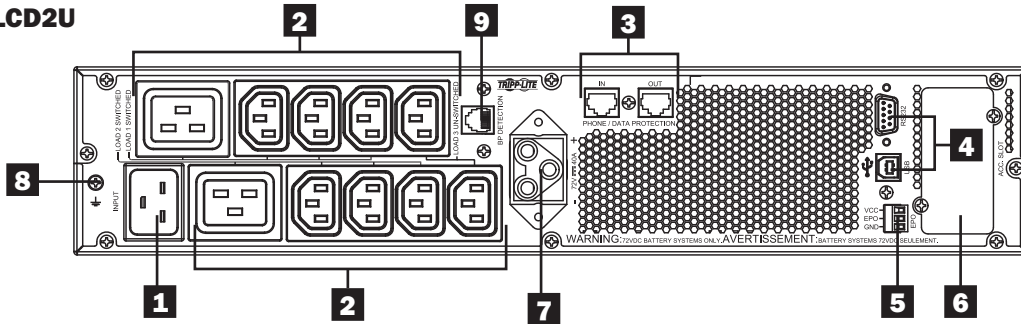
SUINT1500LCD2U



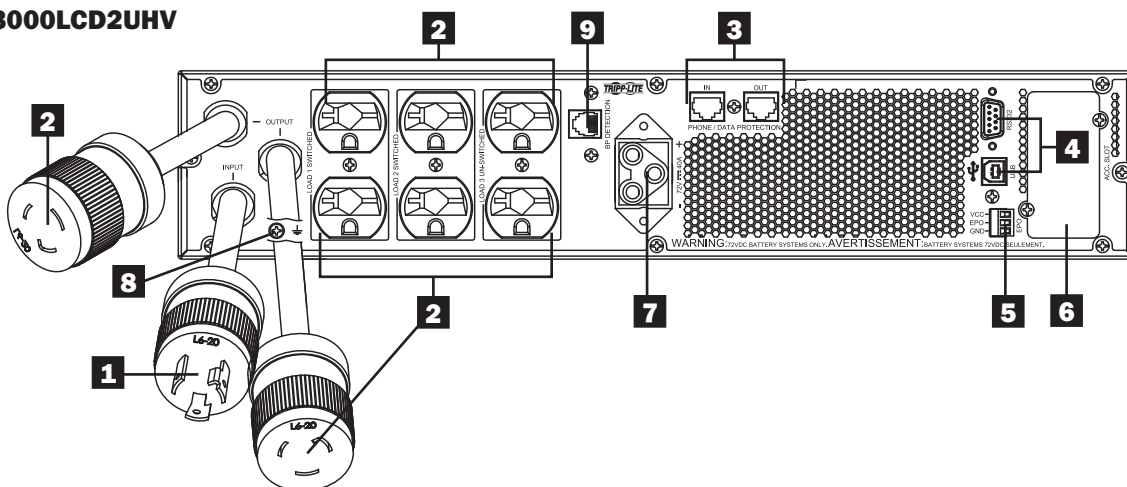
SUINT2200LCD2U



SUINT3000LCD2U



SU3000LCD2UHV

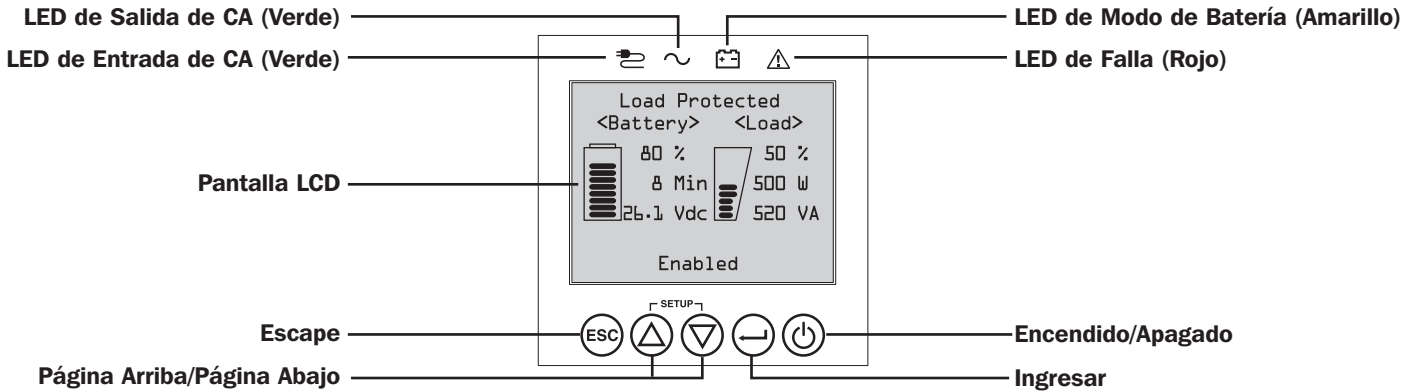


Operaciones

Esta sección explica cómo usar su Sistema UPS en Línea de Tripp Lite, incluyendo la operación del LCD en el panel frontal, modos de operación, arranque y paro del UPS, transferencia entre modos, configuración de estrategia de energía y configuración de parámetros de derivación, segmentos de carga y parámetros de la batería.





Pantalla de LCD y Controles del Panel Frontal

En el frente del UPS hay una pantalla LCD gráfica de 5 botones con indicadores LED adicionales que proporciona información sobre el estado del UPS, información del nivel de carga, información de eventos, mediciones, parámetros y una amplia variedad de opciones de configuración del UPS y de estrategia de energía.



Indicadores LED del Panel Frontal

Hay 4 LEDs arriba de la pantalla LCD del panel frontal que ofrecen información sobre estado de ALIMENTACIÓN DE CA, DERIVACIÓN, SALIDA DE CA, MODO DE BATERÍA y FALLA DE UPS.

 Indicador de ALIMENTACIÓN DE CA	
Encendido	La entrada de CA está disponible Y la entrada de CA está DENTRO del rango del modo ECONÓMICO / DERIVACIÓN. Cuando este LED está ENCENDIDO PERMANENTE, la entrada de CA es de calidad adecuada para la operación el UPS en MODO ECONÓMICO o DERIVACIÓN.
Destellando	La entrada de CA está disponible Y la entrada de CA está FUERA del rango del modo DERIVACIÓN. Cuando este LED está ENCENDIDO DESTELLANDO, la entrada de CA no es de voltaje o frecuencia adecuados para la operación el UPS en MODO ECONÓMICO o DERIVACIÓN.
Apagado	La entrada de CA NO está disponible. Cuando este LED está apagado, la entrada de CA NO está disponible.
 Indicador de SALIDA DE CA	
Encendido	La salida de CA del UPS está activa Está disponible la salida del UPS en los tomacorrientes de salida del UPS.
Apagado	La salida de CA del UPS está inactiva La salida de CA del UPS no está disponible.
 Indicador de MODO DE BATERÍA	
Encendido	El UPS está funcionando en modo de batería Las baterías del UPS se están descargando y el UPS funciona en modo de batería. Además se enciende momentáneamente durante la operación del autodiagnóstico.
Destellando	El UPS está funcionando en modo de batería - Advertencia de batería baja Las baterías del UPS se están descargando y el UPS funciona en modo de BATERÍA y están llegando a nivel bajo. El indicador destellará en intervalos de 2 segundos para informar BATERÍA BAJA y en intervalos de 0.5 segundos para indicar que las BATERÍAS ESTÁN CASI TOTALMENTE DESCARGADAS y el UPS está próximo a apagarse.
 Indicador de FALLA DEL UPS	
Encendido	El UPS está experimentando un estado de falla predeterminada Para explicación del estado o información del código del error, vea la pantalla del panel frontal. Para orientación sobre solución de problemas, vea las instrucciones en la pantalla y el manual.
Apagado	Normal El UPS no está reportando condiciones de falla cuando este indicador está apagado.

Operaciones

Funciones de los Botones del Panel Frontal

Hay 5 botones en el panel frontal que ofrecen opciones de control y configuración del UPS. Use los 5 botones de interfaz del panel frontal y siga las indicaciones y opciones de selección en pantalla para navegar en las diversas pantallas de información, configuración y control del UPS.



Botón de Encendido / Apagado: Este control ofrece tres funciones principales: Encendido, Apagado y Borrado de Falla del UPS.

Para encender el UPS en un modo de operación protegido, oprima y sostenga este botón durante 3 segundos cuando el UPS esté conectado a una alimentación de CA. Suelte el botón cuando la alarma empiece a sonar y el UPS arrancará en la última estrategia de energía configurada.

Para “Arranque en Frío” del UPS en modo de batería durante condiciones de falla del suministro eléctrico, oprima y sostenga este botón durante 3 segundos. Suelte el botón cuando la alarma empiece a sonar y el UPS arrancará en modo de batería.

Para apagar el UPS mientras esté funcionando en modo de batería o protegido, oprima y sostenga este botón durante 3 segundos. Suelte el botón cuando la alarma empiece a sonar. El UPS apagará la salida de CA. Una vez que la salida de CA esté apagada, desconecte la energía de alimentación al UPS y éste se desenergizará completamente.

Para BORRAR LA FALLA DEL UPS, oprima y sostenga este botón durante 3 segundos como se indicó en pantalla. El UPS borrará las condiciones de falla y regresará al modo en espera o en derivación.



Botón ENTER: Este control se usa para hacer selecciones, confirmar opciones y desplazarse a la siguiente selección cuando el UPS es configurado en el modo de configuración. Oprima este botón como se indica en pantalla en modo de Configuración para Ingresar, Confirmar o Desplazarse en el proceso de configuración.



Botones ARRIBA / ABAJO: Estos controles ofrecen dos funciones principales: Control direccional “Arriba” y “Abajo”, además ingresar / salir del modo de configuración (al oprimirlos simultáneamente). Estos botones se usan para navegar las opciones del menú de modo de configuración y cambiar arriba o abajo para ver los contenidos de la pantalla como se necesite.



Para INGRESAR o SALIR del MODO DE CONFIGURACIÓN DEL UPS, oprima estos dos botones simultáneamente durante 3 segundos. Suelte el botón cuando la alarma empiece a sonar. El UPS ingresará automáticamente al modo de configuración si son oprimidos ambos botones durante los modos de la pantalla LCD. El UPS saldrá automáticamente del modo de configuración si son oprimidos ambos botones mientras el UPS funciona en modo de configuración.



Botón ESCAPE: este control ofrece tres funciones principales: Cancelación de Alarma, Borrar Falla y operaciones de Regresar / Cancelar.

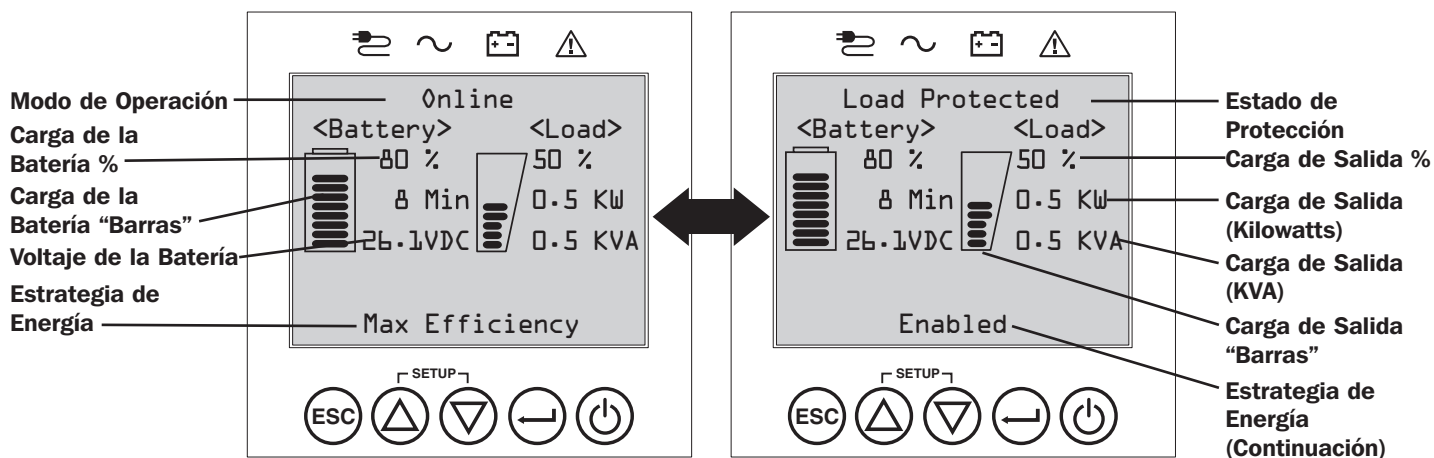
Para CANCELAR ALARMA DEL UPS, oprima este botón. Si ocurre una nueva condición de alarma, la alarma sonará nuevamente.

Para CANCELAR o REGRESAR UN NIVEL, oprima este botón como se indica en pantalla en los modos de Navegación y Configuración.

Distribución de la Pantalla de Inicio

La pantalla LCD del panel frontal del UPS está configurada para proporcionar información continua de operación del UPS usando pantallas de inicio de MODO NORMAL y MODO DE BATERÍA que reportan continuamente el modo de operación, estado de protección, estrategia de energía y un número de parámetros de operación de batería y nivel de carga.

Pantalla de Inicio de Modo Normal



Opciones de Selección de Estrategia de Energía

Los sistemas UPS con LCD SmartOnline de Tripp Lite ofrecen diferentes opciones incorporadas de estrategias de energía que permiten al UPS optimizar el rendimiento para cumplir con las necesidades del usuario para una operación con MÁXIMA CALIDAD DE ENERGÍA, MÁXIMA EFICIENCIA y REGULACIÓN DE FRECUENCIA O CONVERSIÓN DE FRECUENCIA. Una estrategia adicional AUTO-ADAPTABLE combina los beneficios de alta eficiencia y máxima calidad de energía. Cada opción de Estrategia de Energía permite que el UPS cambie automáticamente entre modos de operación específicos según dicte el estado de la energía y del UPS. Las opciones disponibles de estrategia de energía incluyen:

- **Estrategia de Energía Auto-Adaptable** capacita al UPS para cambiar automáticamente entre MODO EN LÍNEA y MODO ECONÓMICO según indique la calidad y confiabilidad de la energía de alimentación del UPS. Si el UPS no sufre una falla del suministro eléctrico en una semana (sin incluir autodiagnóstico del UPS) el UPS conmutará automáticamente al MODO ECONÓMICO. Si ocurre una falla del suministro eléctrico, el UPS mantendrá la salida en MODO DE BATERÍA. Cuando se restaura la energía, el UPS repetirá el ciclo operando en MODO EN LÍNEA hasta que no haya fallas de energía durante una semana.
- **Estrategia de Energía de Máxima Eficiencia** habilita al UPS para operar en forma continua en MODO ECONÓMICO siempre que la alimentación de CA esté dentro del rango de voltaje alto/bajo configurado para derivación. Si el voltaje de entrada del UPS está fuera del rango de derivación configurado, el UPS cambiará automáticamente al MODO EN LÍNEA hasta que el voltaje de entrada de CA se restablezca dentro del rango de voltaje de derivación configurado. Esta es similar a la Estrategia de Energía Auto-Adaptable, excepto que la transferencia al MODO ECONÓMICO es inmediata al recuperarse el nivel de voltaje. No se requiere el período de una semana de operación libre de falla del suministro eléctrico para que el UPS retorne a operación en MODO ECONÓMICO.
- **Estrategia de Energía de Máxima Calidad** habilita al UPS para funcionar continuamente en MODO EN LÍNEA todo el tiempo que la energía entrante de CA esté dentro del rango para la operación en modo en línea. El UPS permanecerá operando en forma continua en modo En Línea de Doble-Conversion, suministrando energía de salida de la mayor calidad con cero tiempo de transferencia. El modo de derivación automática está disponible durante los modos de falla del UPS cuando la entrada de CA está dentro del rango de derivación.
- **Estrategia de Energía con Regulación de Frecuencia** es similar a la Estrategia de Energía de Máxima Calidad, excepto que el UPS regulará en forma activa la frecuencia de salida dentro de $\pm 0.05\text{Hz}$ de la frecuencia nominal de 50 o 60Hz medida en el arranque. El UPS permanecerá operando en forma continua en modo En Línea de Doble-Conversion, suministrando energía de salida de la mayor calidad con cero tiempo de transferencia. El modo de derivación automática está disponible durante los modos de falla del UPS cuando la entrada de CA está dentro del rango de derivación.
- **Estrategias de Energía con Conversión de Frecuencia a 60Hz y Conversión de Frecuencia a 50Hz** son similares a la Estrategia de Energía de Máxima Calidad, excepto que el UPS regulará en forma activa la salida dentro de $\pm 0.05\text{Hz}$ de los 50Hz (Configuración de Conversión de Frecuencia a 50Hz) o 60Hz (Configuración de Conversión de Frecuencia a 60Hz). La derivación automática no está disponible en el modo de CONVERSIÓN DE FRECUENCIA. Las aplicaciones típicas incluyen la conversión de 50 a 60Hz (o 60 a 50Hz) para dispositivos electrónicos delicados.

Nota: La potencia máxima soportada en los modos de Regulación/Conversión de Frecuencia está reducida en un 30%.

Modos de Operación del UPS

Los sistemas UPS SmartOnline de Tripp Lite son capaces de conmutar automáticamente entre modos de operación bajo condiciones especificadas en la Estrategia de Energía configurada. El UPS indica en forma continua el estado usando los LEDs y la pantalla LCD de visualización interactiva del panel frontal.

- **Modo en Respaldo por Batería** es la respuesta automática del sistema UPS a fallas del suministro eléctrico y variaciones de voltaje fuera del rango de voltaje en línea. En MODO DE RESPALDO POR BATERÍA, el UPS mantiene energía de salida de CA de onda sinusoidal desde las reservas de la batería. Una vez restablecida la energía, el UPS regresará al modo de operación protegida como lo determina la Estrategia de Energía configurada y la condiciones de la energía entrante.
- **Modo En Línea** (también conocido como MODO EN LÍNEA DE DOBLE CONVERSIÓN) ofrece en más alto nivel de protección al equipo. En el MODO EN LÍNEA, el UPS regenera en forma activa energía de CA a CD, después de CD a CA para suministrar una salida de CA regulada continuamente dentro del 2% del voltaje de salida nominal seleccionado con cero tiempo de transferencia conforme el UPS conmuta entre los modos de EN LÍNEA y EN RESPALDO POR BATERÍA.
- **Modo Económico** ofrece operación ahorradora de energía con el más alto nivel de eficiencia de operación del UPS. En MODO ECONÓMICO, el UPS ahorra energía desactivando el proceso en línea de doble conversión siempre que la energía de entrada esté dentro del rango de voltaje del MODO ECONÓMICO. Si el voltaje de alimentación cae fuera del MODO ECONÓMICO, el UPS responderá cambiando automáticamente al MODO EN LÍNEA hasta que se restablezca el voltaje de alimentación.
- **Modo de Regulación de Frecuencia** proporciona al UPS la capacidad de corregir variaciones de frecuencia presentes en la alimentación del UPS. Para detalles, consulte la sección de **Opciones de Selección de Estrategia de Energía**.
- **Los Modos de Conversión de Frecuencia a 60Hz y Conversión de Frecuencia a 50Hz** da al UPS la capacidad de convertir frecuencia de 50Hz a 60Hz (o 60Hz a 50Hz). Para detalles, consulte la sección de **Opciones de Selección de Estrategia de Energía**.

Nota: La potencia máxima soportada en los modos de Regulación/Conversión de Frecuencia está reducida en un 30%.

- **Modo en Derivación** ofrece energía filtrada y no regulada al equipo conectado.

Operaciones

Características de Operación de la Estrategia de Energía y Modos de Operación del UPS Soportados

La Estrategia de Energía del UPS configurada proporciona un marco para la operación del UPS conforme cambia entre los modos de operación según lo determinado por los eventos de energía y el estado del UPS. Cada Estrategia de Energía ofrece un grupo único de parámetros de operación a los que el UPS se adhiere a fin de cumplir con las preferencias del usuario para alto rendimiento o alta eficiencia. Están disponibles además opciones adicionales de regulación y conversión de frecuencia para aplicaciones avanzadas. La tabla siguiente lista los modos de operación del UPS soportados por cada opción de Estrategia de Energía.

MODOS DE OPERACIÓN DEL UPS					
El UPS cambia automáticamente entre los modos de operación como lo determine la Estrategia de Energía configurada, energía actual y condiciones de estado del UPS.					
		Soporte para MODO EN LÍNEA	Soporte para MODO ECONÓMICO	Soporte para MODO DE RESPALDO POR BATERÍA	Soporte para DERIVACIÓN AUTOMÁTICA
OPCIONES DE SELECCIÓN DE ESTRATEGIA DE ENERGÍA Su selección de Estrategia de Energía capacita al UPS para conmutar entre los modos de operación como se describió	AUTO ADAPTABLE El UPS funciona continuamente en MODO ECONÓMICO después de funcionar en MODO EN LÍNEA por una semana completa sin una falla del suministro eléctrico.	SI. Cuando la entrada está dentro del rango de voltaje EN LÍNEA, pero fuera del rango de voltaje de DERIVACIÓN y después se restablece la energía de CA.	SI. Cuando la entrada está dentro del rango de voltaje para MODO ECONÓMICO y no hay fallas del suministro eléctrico por una semana.	SI.	SI. En caso de una falla del inversor del UPS mientras el voltaje de entrada está dentro el rango de voltaje de DERIVACIÓN.
	MÁXIMA CALIDAD El UPS funciona continuamente en MODO EN LÍNEA para mantener la más alta calidad de energía de salida para el equipo conectado.	SI. Cuando la alimentación está dentro del rango de voltaje EN LÍNEA.	NO.	SI.	SI. En caso de una falla del inversor del UPS mientras el voltaje de entrada está dentro el rango de voltaje de DERIVACIÓN.
	MÁXIMA EFICIENCIA El UPS funciona en MODO ECONÓMICO todo el tiempo cuando la alimentación está dentro del rango de derivación.	SI. Cuando la entrada está dentro del rango de voltaje EN LÍNEA, pero fuera del rango de voltaje de DERIVACIÓN.	SI. Cuando la entrada está dentro del rango de voltaje del MODO ECONÓMICO.	SI.	SI. En caso de una falla del inversor del UPS mientras el voltaje de entrada está dentro el rango de voltaje de DERIVACIÓN.
	REGULACIÓN DE FRECUENCIA El UPS regula la salida a estar entre +/-0.05Hz de la nominal.	SI. Cuando la alimentación está dentro del rango de voltaje EN LÍNEA.*	NO.	SI.	SI. En caso de una falla del inversor del UPS mientras el voltaje de entrada está dentro el rango de voltaje de DERIVACIÓN.
	CONVERSIÓN DE FRECUENCIA a 60Hz El UPS convierte la alimentación de 50Hz a 60Hz. (+/-0.05Hz)	SI. Cuando la alimentación está dentro del rango de voltaje EN LÍNEA.**	NO.	SI.	NO.
	CONVERSIÓN DE FRECUENCIA a 50Hz El UPS convierte la alimentación de 60Hz a 50Hz. (+/-0.05Hz)	SI. Cuando la alimentación está dentro del rango de voltaje EN LÍNEA.**	NO.	SI.	NO.

* El LCD muestra la REGULACIÓN DE FRECUENCIA como el modo de operación con información de la reducción de los valores establecidos.

** El LCD muestra la REGULACIÓN DE FRECUENCIA como el modo de operación con información de la reducción de los valores establecidos.

Opciones de Selección y Configuración del LCD del Panel Frontal del UPS

MENÚ PRINCIPAL / SUB-MENÚ	OPCIONES DE PANTALLA / CONFIGURACIÓN	DESCRIPCIÓN DE PANTALLA / CONFIGURACIÓN
ESTADO		
Estado de Carga	<ul style="list-style-type: none"> Nivel de carga (% , kW, kVA, A, PF) Capacidad disponible (% , kW, kVA) 	<p>Porcentaje de carga del UPS (%), kilowatt (kW), kilovoltampere (kVA), amperes (A) y factor de potencia (PF).</p> <p>Capacidad del UPS disponible en porcentaje (%), kilowatts (kW) y kilovoltampere (kVA).</p>
Estado de Entrada/Salida	<ul style="list-style-type: none"> Voltaje y frecuencia de entrada (VCA, Hz) Voltaje y frecuencia de salida (VCA, Hz) Grupo de Carga1 (Encendido/Apagado) Grupo de Carga2 (Encendido/Apagado) 	Muestra información del estado de entrada y salida del UPS para voltaje de entrada / salida (VCA), frecuencia (Hz) e información del estado de energía del grupo de salida (Encendido/Apagado).
Estado de Energía	<ul style="list-style-type: none"> Eficiencia (%) Potencia Promedio (kw/hr.) Estrategia de Energía configurada 	Muestra el porcentaje de eficiencia del UPS (%), consumo del equipo conectado en kilowatt hora (kw/hr) y Estrategia de Energía configurada.
Estado de la Batería Interna	<ul style="list-style-type: none"> Instalado (mm/dd/aaaa) Expira (mm/dd/aaaa) 	Muestra la fecha de instalación del Cartucho de Batería Interna de Repuesto y la fecha de expiración configurada por el usuario.
Estado de Módulo de Baterías Externas	<ul style="list-style-type: none"> Modelo y número de serie del módulo de baterías Instalado (mm/dd/aaaa) Expira (mm/dd/aaaa) 	Muestra el número de modelo y número de serie del módulo de baterías externas (MÓDULOS DE BATERÍAS SMART de Tripp Lite) solamente, la fecha de instalación y la fecha de expiración configurada por el usuario.
Tabla de Flujo de Energía	<ul style="list-style-type: none"> Consulte la tabla de flujo de operación del UPS 	Muestra el modo de operación del UPS en una gráfica de flujo.
CONTROL		
Iniciar Prueba de la Batería	<ul style="list-style-type: none"> Inicia una prueba manual de la batería 	Inicia un autodiagnóstico momentáneo de la batería del UPS con resultados inmediatos de aprobación/falla
Restablecer la Antigüedad de la Batería	<ul style="list-style-type: none"> Restablece la antigüedad de la batería 	Restaura la antigüedad de la batería a la fecha actual. Use esta función después del remplazo de una batería que NON-SMART.
Restauración de Estado de Falla	<ul style="list-style-type: none"> Restaura cualquier mensaje de estado de falla 	Use esta función para borrar los mensajes de falla del UPS.
Auto-diagnóstico de Batería	<ul style="list-style-type: none"> Establece el intervalo regular de autodiagnóstico de la batería <ul style="list-style-type: none"> Desactivado 4 semanas (configuración de fábrica) 13 semanas 26 semanas 	Use esta opción para iniciar la prueba automática de la batería a intervalos regulares.
REGISTRO DE EVENTOS		
Eventos en Respaldo por Batería	<ul style="list-style-type: none"> Contador de eventos (Solo eventos del UPS respaldado por batería) Minutos totales (total de minutos de operación en modo de respaldo por batería) Falla más reciente del suministro eléctrico (fecha) Días hasta alerta de remplazo de la batería (días) Detalles del evento (fecha, hora y descripción para los últimos 20 eventos registrados) 	Muestra un resumen de todos los eventos de RESPALDO POR BATERÍA cuando el UPS conmutó al modo de respaldo por batería en respuesta a una condición protegida. Los detalles de eventos listan los últimos 20 eventos de respaldo por batería. Según ocurren alertas adicionales, los registros más antiguos serán eliminados automáticamente.
Todos los Eventos	<ul style="list-style-type: none"> Contador de eventos (todos los eventos) Evento más reciente (fecha) Registro de hora de la fecha Detalles de evento (fecha, hora y descripción para cada evento registrado) 	Muestra un resumen de todos los eventos registrados. Los detalles de eventos listan los últimos 20 eventos. Según ocurren alertas adicionales, los registros más antiguos serán eliminados automáticamente.
Reiniciar los Eventos de Respaldo por Batería	<ul style="list-style-type: none"> Reiniciar solamente los eventos de respaldo por batería 	Reinicia todos los datos en el juego de pantalla de eventos de respaldo por batería.
Reiniciar Todos los Eventos	<ul style="list-style-type: none"> Reinicia todos los eventos 	Reinicia todos los datos en el juego de pantalla de todos los eventos.
PARÁMETROS		
Configuración básica	Sistema <ul style="list-style-type: none"> Fecha actual (Mostrar, establecer fecha) Hora actual (Mostrar, establecer fecha) Alarma acústica (activar, desactivar) Idioma (seleccionar) 	<p>Muestra, establece y restaura configuraciones de fecha, hora, estado de la alarma acústica e idioma.</p> <p>Nota: La configuración de DESACTIVAR la Alarma Acústica evita solo alarmas por falla de energía y operativas, el UPS siempre sonará para confirmar que está aceptando instrucciones del usuario desde los botones de navegación del LCD del panel frontal.</p> <p>Use la opción de CONFIGURACIONES / BÁSICA / VOLTAJE DE SALIDA para mostrar o establecer el voltaje de salida nominal del UPS (los cambios se efectuarán en el siguiente reinicio).</p>
	Voltaje de salida <ul style="list-style-type: none"> 200 208 220 230 240 	

Operaciones

MENÚ PRINCIPAL / SUB-MENÚ	OPCIONES DE PANTALLA / CONFIGURACIÓN	DESCRIPCIÓN DE PANTALLA / CONFIGURACIÓN
PARÁMETROS		
Configuración básica (continuación)	Estrategia de Energía: <ul style="list-style-type: none"> • Auto-Adaptable • Máxima Eficiencia • Máxima Calidad • Regulación de Frecuencia • Conversión de Frecuencia a 60Hz • Conversión de Frecuencia a 50Hz 	Use la opción de CONFIGURACIONES / BÁSICA / ESTRATEGIA DE ENERGÍA para mostrar o establecer la Estrategia de Energía del UPS. Ver la sección Opciones de Selección de Estrategia de Energía bajo la sección de Operaciones para más información acerca de las opciones disponibles de Estrategia de Energía.
	Batería: <ul style="list-style-type: none"> • Configuración de la batería externa o Configure mediante UPS o Configurada con la PC o Reemplazo de la Batería • Alerta del Envejecimiento de la Batería 	Use la opción de CONFIGURACIONES / BÁSICA / BATERÍA para configurar el UPS con módulos de baterías externas. Puede usarse la opción de remplazo de batería para actualizar la fecha de instalación para remplazo de batería externa Non-Smart del mismo tipo. Además establece la duración de la alerta del envejecimiento de la batería como recordatorio de remplazo de la misma. Ver la sección Configuración de Módulos de Baterías Externas bajo la sección de Operaciones para información de cómo configurar módulos de baterías externas.
Configuración avanzada	Sistema: <ul style="list-style-type: none"> • Brillo de la pantalla <ul style="list-style-type: none"> o Alto o Medio (configuración de fábrica) o Bajo • Atenuación de la retro-iluminación: Ingrese de 10 a 120 segundos (la configuración de fábrica es de 60 segundos) • Contraseña: Establezca su contraseña de 4 dígitos (la configuración de fábrica es 0000) • Restaurar configuración de fábrica (restaura todas las preferencias del UPS a los parámetros de fábrica, incluyendo las configuraciones de la batería) 	Use la opción de CONFIGURACIONES / AVANZADA / SISTEMA para establecer las opciones del brillo de la pantalla, el tiempo de atenuación de la retro-iluminación, la contraseña o restaurar la configuración de fábrica.
	Entrada/Salida: <ul style="list-style-type: none"> • Nivel de Alerta por Sobrecarga: Ingrese un valor entre el 5% y el 105% (la configuración de fábrica es 100%) 	Use CONFIGURACIONES / AVANZADA / ENTRADA-SALIDA para estas opciones: Establece el porcentaje de carga de salida del UPS antes de que se envíe una alerta de sobrecarga.
	<ul style="list-style-type: none"> • Configuración de la Acción en Caso de Falla (respuesta del UPS a la falla) <ul style="list-style-type: none"> o Ir a derivación (configuración de fábrica) o Ir a en espera 	Establece la respuesta del UPS ante condiciones de falla que requieran que el UPS salga del modo de doble conversión. La opción de IR A DERIVACIÓN mantiene la salida de CA (mientras el voltaje de entrada esté dentro de los límites alto/bajo de derivación). La opción de IR A EN ESPERA causa que el UPS apague la salida de CA en respuesta a condiciones de falla.
	<ul style="list-style-type: none"> • Límite Inferior de la Derivación: Ingrese un valor del -5% al -20% (la configuración de fábrica es -15%) 	Especifica el voltaje de alimentación más bajo aceptable para operación en derivación.
	<ul style="list-style-type: none"> • Límite Superior de la Derivación: Ingrese un valor del +5% al +20% (la configuración de fábrica es +10%) 	Especifica el voltaje de alimentación más alto aceptable para operación en derivación.
	Encendido/Apagado: <ul style="list-style-type: none"> • Arranque en Frío <ul style="list-style-type: none"> o Activado (configuración de fábrica) o Desactivado • Reinicio Automático <ul style="list-style-type: none"> o Activado (configuración de fábrica) o Desactivado • Retardo del Reinicio Automático <ul style="list-style-type: none"> o Ingresar: de 0 a 60 segundos (la configuración de fábrica es 0 segundos) 	Para estas opciones use CONFIGURACIONES / AVANZADA / ENCENDIDO-APAGADO: El activado de arranque en frío permite al UPS encenderse manualmente en modo de respaldo por batería durante una falla del suministro eléctrico. El activado del reinicio automático permite al UPS encenderse automáticamente en un modo de operación protegido cuando se restablece la energía. El retardo del reinicio automático fuerza al UPS a esperar entre 0 y 60 segundos después de restaurada la energía antes de reiniciar automáticamente. Se requiere que esté activado el reinicio automático cuando se restablezca la energía.
	<ul style="list-style-type: none"> • Ahorro de Energía <ul style="list-style-type: none"> o Ingresar: 0-100% o Desactivado (configuración de fábrica) • Modo de Apagado <ul style="list-style-type: none"> o En Espera o Derivación (configuración de fábrica) 	El ahorro de energía permite al UPS apagarse automáticamente cuando la carga de salida es inferior que el porcentaje seleccionado en forma continua durante 5 minutos. La configuración del modo de apagado en DERIVACIÓN permite al UPS suministrar energía de alimentación no regulada dentro de los límites alto/bajo configurados de la derivación para estar disponible a la salida del UPS cuando se apague.
<ul style="list-style-type: none"> • Batería Mínima para Reiniciar <ul style="list-style-type: none"> o Ingrese: 10-90% o Desactivado (configuración de fábrica) 	El nivel mínimo de carga de la batería para reiniciar fuerza al UPS a esperar hasta que las baterías se hayan recargado al porcentaje seleccionado antes de reiniciar automáticamente. Nota: Puede arrancarse manualmente el UPS usando el botón de encendido si la batería está por debajo del umbral de reinicio por batería. Se requiere que esté activado el Reinicio Automático cuando se restablezca la energía.	

Operaciones

MENÚ PRINCIPAL / SUB-MENÚ	OPCIONES DE PANTALLA / CONFIGURACIÓN	DESCRIPCIÓN DE PANTALLA / CONFIGURACIÓN
PARÁMETROS		
Configuración avanzada (continuación)	Respaldo por batería: <ul style="list-style-type: none"> • Alerta de Batería Baja <ul style="list-style-type: none"> o Ingrese: 10-90% (la configuración de fábrica es 20%) 	Permite el UPS enviar una alerta de batería baja según se descargue la batería al nivel de carga seleccionado durante una falla del suministro eléctrico.
	<ul style="list-style-type: none"> • Apagado Temporizado <ul style="list-style-type: none"> o Ingrese: 15, 30, 45 seg., 1-30 min. o Desactivado (configuración de fábrica) 	El apagado temporizado establece el monto máximo de autonomía respaldada por batería en segundos o minutos que el UPS proporcionará durante una falla del suministro eléctrico. Use la configuración DESACTIVADO para tener la autonomía máxima posible.
	<ul style="list-style-type: none"> • Apagado por Batería Baja <ul style="list-style-type: none"> o Ingresar: 5-100% o Desactivado (configuración de fábrica) 	El apagado por batería baja establece el monto máximo de descarga de la batería antes que el UPS se apague debido a una batería baja. La configuración de DESACTIVADO permite que las baterías se descarguen al 0% antes de apagarse.
	<ul style="list-style-type: none"> • Retraso del Pitido de Respaldo por Batería <ul style="list-style-type: none"> o Ingrese: 0 a 120 segundos (la configuración de fábrica es 5 segundos) 	La configuración de "Retraso del Pitido" permite retrasar la alarma acústica hasta 120 segundos para evitar que la alarma suene en respuesta a fallas del suministro eléctrico de corta duración.
	<ul style="list-style-type: none"> • Completado de Apagado <ul style="list-style-type: none"> o Requerido (configuración de fábrica) o Interrumpir OK 	El UPS comunicará el mensaje de apagado a los sistemas conectados antes del apagado del UPS. La configuración de INTERRUMPIR OK interrumpirá el mensaje de apagado si la energía es restablecida después de enviado el mensaje de apagado.
	Configuraciones de USB/DB9: <ul style="list-style-type: none"> • Configuraciones de DB9 <ul style="list-style-type: none"> o Pines de salida 1 y 5 <ul style="list-style-type: none"> - En respaldo por batería (configuración de fábrica) - En derivación - Salida activada - Batería baja 	El UPS señalará la condición seleccionada puenteando las terminales 1 y 5 en el puerto DB9.
	<ul style="list-style-type: none"> o Pines de salida 8 y 5 <ul style="list-style-type: none"> - En respaldo por batería - En derivación - Salida activada - Batería baja (configuración de fábrica) 	El UPS señalará la condición seleccionada puenteando las terminales 8 y 5 en el puerto DB9.
	<ul style="list-style-type: none"> o Pines de entrada 3 y 9 <ul style="list-style-type: none"> - Apagado (configuración de fábrica) - Salida apagada - Reinicio - Salida activada - Interruptor de Encendido 	<p>El UPS ejecutará la acción seleccionada cuando las terminales 3 y 9 son puenteadas en el puerto DB9 por al menos 3.8 segundos.</p> <p>Para la opción de reinicio (salida desactivada por 30 segundos antes de reinicio): Tenga en cuenta que las terminales deben puentearse por al menos 3.8 segundos para ejecutar el reinicio. El reinicio ocurre en exactamente 3.8 segundos. Si las terminales continúan puenteadas por más de 3.8 segundos, no debe tomarse acción adicional. El UPS no toma acción al retirar el puente.</p> <p>La opción del Interruptor de Encendido está diseñado para mantener la unidad encendida cuando las terminales no estén puenteadas y apagada cada vez que las terminales estén puenteadas. Tenga en cuenta que esta entrada no puede encender la unidad desde un estado apagado a menos que se aplique CA válida (esta función no asume un arranque en frío) Para encender, las terminales no deben estar puenteadas por al menos 3.8 segundos y la CA debe ser válida. Para apagar, las terminales deben estar puenteadas por al menos 3.8 segundos.</p>
	<ul style="list-style-type: none"> • Pérdida de señal del USB <ul style="list-style-type: none"> o Configuración del modo en línea <ul style="list-style-type: none"> - Sin acción (configuración de fábrica) - Reinicio del UPS después de retraso - Reinicio de Carga1 después de retraso - Reinicio de Carga2 después de retraso 	El UPS ejecutará la acción seleccionada si se pierde la señal USB desde un dispositivo conectado en modo de energía de línea por la duración seleccionada.
	<ul style="list-style-type: none"> o Configuración de modo de batería <ul style="list-style-type: none"> - Operación para batería baja (configuración de fábrica) - Apagado después de retraso 	El UPS ejecutará la acción seleccionada si se pierde la señal USB desde un dispositivo conectado en modo de energía de batería por la duración seleccionada.
<ul style="list-style-type: none"> o Temporizador de USB perdido <ul style="list-style-type: none"> - Ingrese: 10-60 segundos - Configuración de fábrica: 30 segundos 	Este control establece la duración de la pérdida de señal del USB antes que se active la acción de modo de energía de línea / modo de energía de batería.	
ACERCA DE		
Información del UPS	Número de modelo del UPS, número de serie del UPS, fecha de instalación del UPS	La fecha de instalación del UPS es establecida automáticamente por la unidad después de 2 horas de operación continua.
ID de Red	Firmware tarjeta para administración web, dirección IPv4, dirección IPv6, Dirección MAC	
Firmware.	Firmwares del UPS	

Operaciones

Configuración de los Módulos de Baterías Externas

Los sistemas UPS INT SmartOnline de Tripp Lite soportan la conexión de módulos de baterías externas para habilitar la operación de autonomía extendida del UPS. A fin de que el UPS proporcione niveles de carga eficientes y predicciones precisas para la autonomía óptima de la red antes de enviar mensajes de apagado automático, los bancos de baterías externas necesitan ser configurados al UPS en la instalación.

Existen 3 métodos disponibles para configurar los módulos de baterías externas al UPS, dependiendo del módulo de baterías seleccionado y la cantidad agregada al UPS. Algunas configuraciones de módulos de baterías pueden requerir del uso de más de un método de configuración.

Las BATERÍAS EXTERNAS pueden configurarse para el UPS...	...AUTOMÁTICAMENTE (Usando Módulos de Baterías SMART)	...MANUALMENTE (Usando la Pantalla LCD)	...Use el SOFTWARE PARA CONFIGURACIÓN DE BATERÍAS EXTERNAS
Compatibilidad con Módulo de Baterías	El UPS soporta la detección automática de hasta 6 MÓDULOS DE BATERÍAS SMART conectados al UPS.	La pantalla LCD puede usarse para configurar MÓDULOS DE BATERÍAS NON-SMART y cualquier MÓDULO DE BATERÍAS SMART más allá de los 6 que pueden detectarse automáticamente.	El software para la configuración de la Batería Externa puede usarse para configurar el UPS para cualquier cantidad soportada de módulos de baterías externas SMART y NON-SMART.

Los Módulos de Baterías SMART de Tripp Lite incluyen una conexión cableada de datos que permite la detección y configuración automática de hasta 6 Módulos de Baterías SMART al UPS. Los módulos de baterías tradicionales NON-SMART DE Tripp Lite son también soportados para aplicaciones de autonomía extendida, pero requieren configuración del usuario utilizando la pantalla LCD del panel frontal o mediante el uso del SOFTWARE PARA CONFIGURACIÓN DE BATERÍAS EXTERNAS.

Opciones de Módulos de Baterías Externas SMART y NON-SMART para LCD SmartOnline

	SUINT1000LCD2U	SUINT1500LCD2U	SUINT2200LCD2U	SUINT3000LCD2U / SU3000LCD2UHV
MÓDULOS DE BATERÍAS "SMART" Soportados	BP24V36-2US	BP36V27-2US	BP48V27-2US	BP72V18-2US
MÓDULOS DE BATERÍAS TRADICIONALES "NON-SMART" Soportados	BP24V15RT2U (límite 1) BP24V28-2U (límite 1) BP24V70-3U	BP36V15-2U (límite 1) BP36V42-3U	BP48V24-2U (límite 1) BP48V60RT3U	BP72V15 (límite 1) BP72V28RT3U

Configuración de MÓDULOS DE BATERÍAS SMART y NON-SMART mediante la pantalla LCD del panel frontal

Adición de hasta 6 MÓDULOS DE BATERÍAS SMART al UPS

Cada UPS SmartOnline tiene un MÓDULO DE BATERÍAS SMART designado, en donde hasta 6 MÓDULOS DE BATERÍAS SMART pueden ser conectados al UPS para una detección y configuración totalmente automática. Los módulos de baterías SMART incluyen una conexión cableada de datos que conecta al puerto de detección de Módulo de Baterías del UPS para el reconocimiento y configuración automática por el UPS.

Para configurar el UPS para usarlo con hasta 6 MÓDULOS DE BATERÍAS SMART, solo conecte los cables de ALIMENTACIÓN y DATOS incluidos entre el UPS y el primer MÓDULO DE BATERÍAS SMART. Después conecte los cables de ALIMENTACIÓN y DATOS para los MÓDULOS DE BATERÍAS SMART siguientes. El UPS detectará y configurará automáticamente hasta 6 MÓDULOS DE BATERÍAS SMART al UPS.

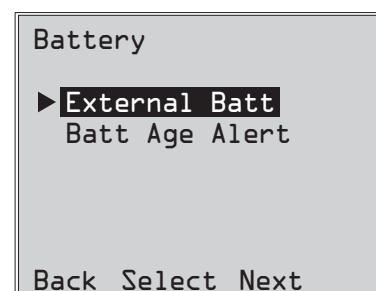
Adición de más de 6 MÓDULOS DE BATERÍAS SMART al UPS

Los sistemas UPS SmartOnline soportan la detección automática de hasta 6 MÓDULOS DE BATERÍAS SMART como se describe arriba. Es posible configurar el UPS para más de 6 MÓDULOS DE BATERÍAS SMART configurando todos los MÓDULOS SMART adicionales como NON-SMART. Al configurar el UPS con más de 6 MÓDULOS DE BATERÍAS SMART, configure los Módulos de Baterías #s 1 al 6 usando el método para el puerto de Detección de Módulos de Baterías listado arriba. Entonces configure los MÓDULOS DE BATERÍAS SMART # 7 y siguientes y cualquier otro modelo de módulo de baterías soportado para conectarse como MÓDULOS DE BATERÍAS NON-SMART. Para más información, consulte la sección de ADICIÓN de Módulos de Baterías NON-SMART.


Adición manual de MÓDULOS DE BATERÍAS al UPS (módulos de baterías SMART y NON-SMART)

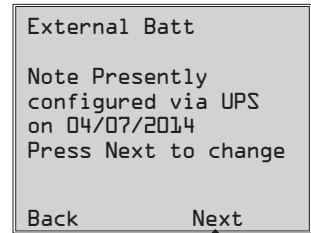
Si está conectando más de 6 Módulos de Baterías SMART el UPS puede detectar automáticamente 0 se están conectando Módulos de Baterías NON-SMART soportados al UPS, puede configurarlos mediante la interfaz LCD del panel frontal del UPS. Primero, instale las conexiones de alimentación del Módulo de Baterías al UPS como se describe en la documentación del módulo de baterías. Después, usando las pantallas de configuración CONFIGURACIONES / CONFIGURACIONES BÁSICAS / BATERÍA, seleccione la opción del menú BATERÍA EXTERNA (Para instrucciones sobre el acceso a esta sección, consulte las secciones **Funciones de Botón del Panel Frontal** y **Opciones de Selección y Configuración del LCD del Panel Frontal** bajo la sección **Operaciones**).

1 Desde el menú CONFIGURACIONES / CONFIGURACIONES BÁSICAS BATERÍA, seleccione BATERÍA EXTERNA, entonces oprima NEXT .

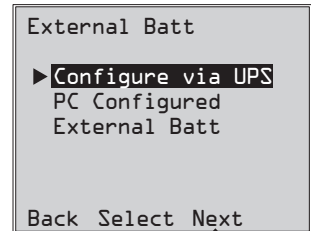


Operaciones

- 2** La pantalla LCD mostrará los parámetros de configuración presentes. Para editar la configuración, oprima NEXT .



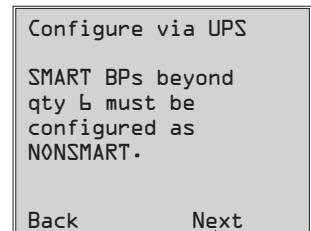
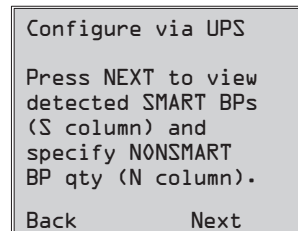
- 3** Entonces seleccione CONFIGURAR MEDIANTE UPS y oprima NEXT .



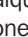




- 4** La pantalla LCD le solicitará cambiar a la siguiente pantalla en donde pueden configurarse los módulos de baterías SMART y NON-SMART.

Después seleccione NEXT .

Nota: La pantalla cambiará entre dos pantallas para mostrar todo el texto.



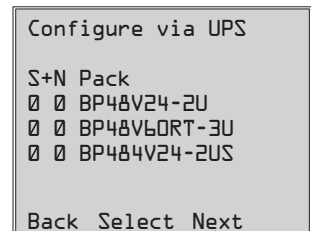
- 5** La pantalla LCD mostrará la lista de módulos de baterías externas soportadas precedida por una columna que muestra el número de módulos de baterías SMART y NON-SMART configurados. Los MÓDULOS DE BATERÍAS SMART detectados mediante el PUERTO DE DETECCIÓN de Módulos de Baterías ya estarán listados con la cantidad apropiada del 1 al 6 bajo la columna "S" de esta pantalla.

Para configurar baterías NON-SMART y cualquier batería SMART más allá de los 6 que fueron detectados automáticamente, use los botones UP/DOWN   y NEXT . Después de configurado el último módulo de baterías, oprima BACK  para editar sus datos o APPLY  para ingresar los nuevos valores.

Nota: La columna "S" muestra el número de los módulos de baterías SMART configurados y la columna "N" muestra el número de módulos de baterías NON-SMART configurados.

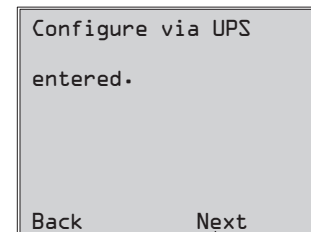
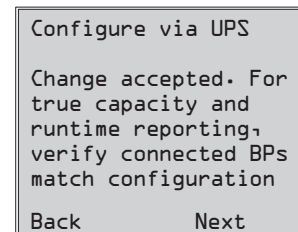
Nota: Oprimir los botones UP o DOWN cambia el valor de la columna "N". Oprimir el botón NEXT desplaza el cursor una fila hacia abajo.


Nota: Cuando llegue a la última fila, NEXT cambiará a APPLY.



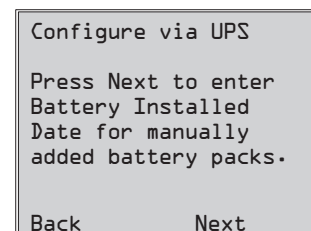
- 6** Después haber aplicado al UPS el ingreso manual de los módulos de baterías NON-SMART, el LCD reportará que se ha aceptado el cambio y le sugerirá que verifique que el juego real de módulos de baterías externas concuerde con la configuración del UPS.

Oprima NEXT  para desplazarse a la siguiente pantalla.



- 7** La pantalla LCD le solicitará oprimir NEXT  para ingresar la fecha de instalación de la batería para módulos de baterías externas configurados manualmente.

La siguiente pantalla le permite seleccionar la fecha actual para la instalación o le permite ingresar una fecha de instalación en el pasado, en caso que el Módulo de Baterías fuera agregado en una fecha anterior.



Conexiones Opcionales

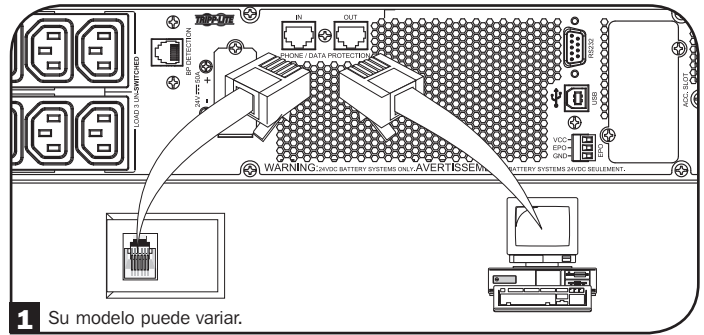
Su UPS trabajará correctamente sin estas conexiones.

1 Supresión de Sobretensiones para Línea Telefónica o Línea Telefónica/Red

Su UPS tiene enchufes que protegen contra sobretensiones en una línea de telefónica.* Usando los cables adecuados de teléfono o red, conecte su enchufe de pared al enchufe del UPS marcado "IN". Conecte su equipo al enchufe del UPS marcado "OUT". Cerciórese que el equipo que conecte a los enchufes del UPS esté además protegido contra sobretensiones en la alimentación de CA.

* No compatible con aplicaciones de PoE (Energía sobre la Ethernet).

Nota: Use el mismo tipo de conector para los puertos de entrada y salida con supresión de sobretensiones de la línea telefónica.

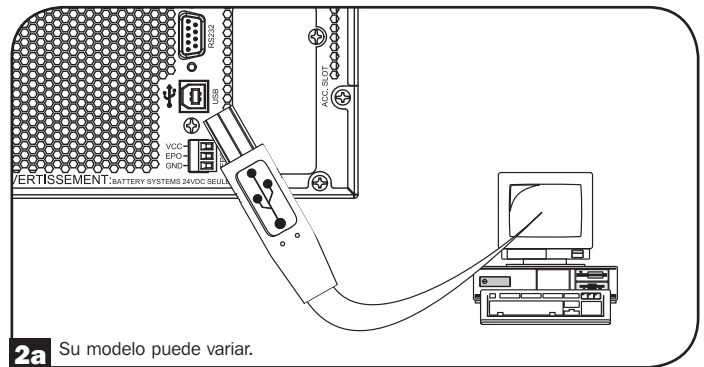


1 Su modelo puede variar.

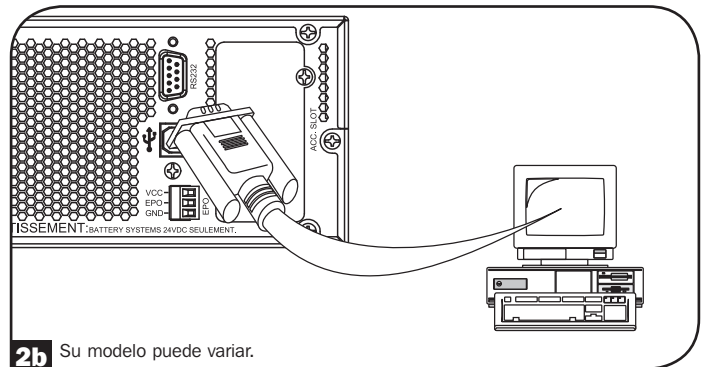
2 Comunicaciones USB y Serial RS-232

Use el cable USB incluido (ver 2a) y/o cable serial RS-232 (ver 2b) para conectar el puerto de comunicación de su computadora al puerto de comunicación de su UPS. Instale en su computadora el Software PowerAlert de Tripp Lite apropiado al sistema operativo de su computadora. Su UPS puede contar con puertos de comunicación adicionales; estos puertos pueden conectarse a computadoras adicionales que tengan instalado el Software PowerAlert. Para más información, consulte su manual de PowerAlert.

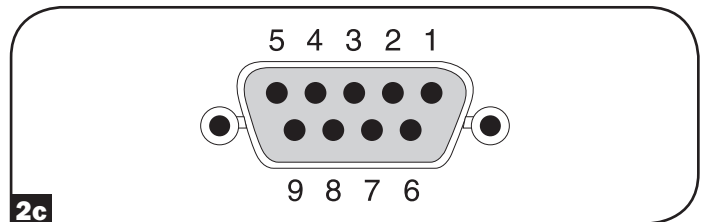
2c RS-232 Las comunicaciones de contacto seco son simples, pero es necesario algún conocimiento de electrónica para configurarlas. Las asignaciones de los pins del puerto RS-232 se muestran en el diagrama. Si la batería del UPS está baja, el UPS envía una señal puenteando las terminales 1 y 5. Si falla la energía de la red pública, el UPS envía una señal puenteando las terminales 8 y 5. Para apagar el UPS en forma remota, conecte la terminal 3 a la terminal 9 por al menos 3.8 segundos. Pueden configurarse funciones adicionales de estas terminales mediante el LCD o mediante la tarjeta para administración web.



2a Su modelo puede variar.



2b Su modelo puede variar.



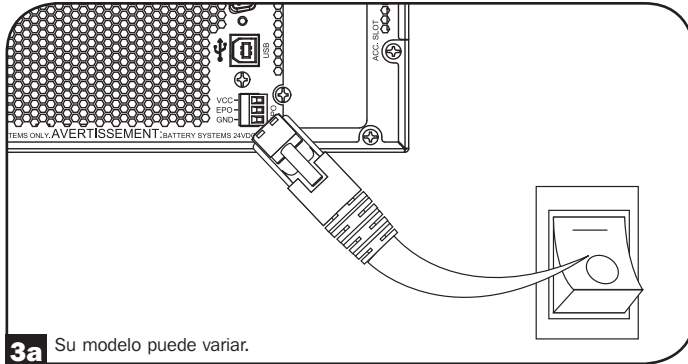
2c

Conexiones Opcionales

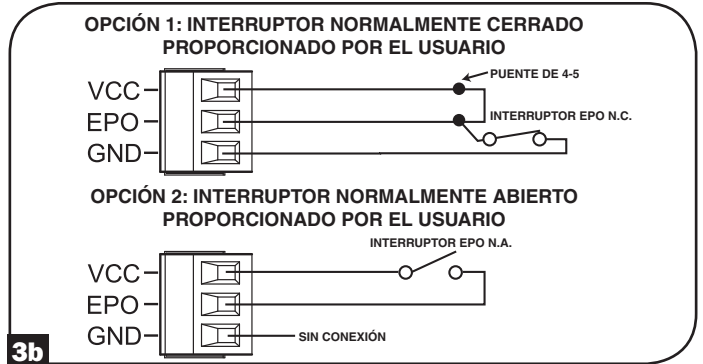
3 Conexión de puerto EPO

Esta característica opcional es sólo para aquellas aplicaciones que requieran conexión a un circuito de Apagado de Emergencia (EPO) de la instalación. Cuando el UPS está conectado a este circuito, habilita el apagado de emergencia del inversor del UPS e inhibe la transferencia a la derivación interna. Conecte el puerto de EPO de su UPS (ver **3a**) a un interruptor normalmente cerrado o normalmente abierto, proporcionado por el usuario, de acuerdo al diagrama del circuito (ver **3b**).

Nota: Si se usa un interruptor de EPO sin enganche, el EPO debe sostenerse por un mínimo 1 segundo. Esto no aplica para un interruptor de EPO con enganche.



3a Su modelo puede variar.



3b

Estado del UPS cuando se mantiene EPO con alimentación de CA válida presente:

Salida de CA	Estado de la Pantalla LCD	Estado de los LEDs
Apagado	EPO Activo	Solo el Indicador de Entrada de CA está Encendido.

Para reiniciar el UPS después de activar EPO con una alimentación de CA válida presente:

1. Verifique que la activación del EPO se ha retirado o borrado.
2. Oprima y sostenga el BOTÓN DE ENCENDIDO/APAGADO hasta que emita un bip. Ahora el UPS reiniciará en uno de los modos pre-configurados de operación normal.

Estado del UPS cuando se activa EPO sin alimentación de CA válida presente (Modo de Respaldo por Batería):

Salida de CA	Estado de la Pantalla LCD	Estado de los LEDs
Apagado	EPO Activo	Apagado

Para reiniciar el UPS después de la activación de EPO sin una alimentación de CA válida presente:

1. Verifique que la activación del EPO se ha retirado o borrado.
2. Espere hasta que el LCD se apague completamente.
3. Oprima y sostenga el BOTÓN DE ENCENDIDO/APAGADO hasta que emita un bip. Ahora el UPS reiniciará en el Modo de Respaldo por Batería.

Para reiniciar el UPS después de activar EPO con una alimentación de CA válida presente:

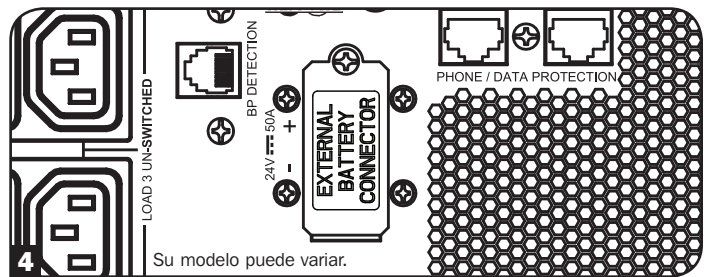
1. Verifique que la activación del EPO se ha retirado o borrado.
2. Espere hasta que el LCD se apague completamente.
3. Aplique nuevamente la alimentación de CA, oprima y sostenga el BOTÓN DE ENCENDIDO/APAGADO hasta que emita un bip. Ahora el UPS reiniciará en uno de los modos pre-configurados de operación normal.

Nota: Si se aplica nuevamente alimentación de energía de CA antes que el LCD se apague completamente, el UPS reiniciará automáticamente a uno de los modos pre-configurados de alimentación normal sin usar el BOTÓN DE ENCENDIDO/APAGADO.

Conexiones Opcionales

4 Conexión de la Batería Externa

Compruebe la sección de **Accesorios Específicos del Modelo** debajo de **Descripción General** para consultar módulos de baterías compatibles y cantidades máximas para su sistema UPS. Asegure que su módulo de baterías concuerde con el voltaje listado junto al conector de la batería de su UPS. El agregar baterías externas aumentará el tiempo de recarga así como la autonomía. Vea el Manual del Propietario del módulo de batería, para instrucciones completas de instalación y configuración. Asegúrese que los cables estén completamente insertados en sus conectores. Durante la conexión de la batería se pueden generar pequeñas chispas; esto es normal. No conecte ni desconecte los módulos de batería cuando el UPS esté funcionando con energía de la batería.



¡¡IMPORTANTE! A fin de que las pantallas LCD de autonomía restante y de información del software indiquen con precisión la autonomía con los módulos de baterías externas conectados, debe configurar cualquier módulo conectado usando el LCD del panel frontal o el software para Configuración de Baterías Externas de Tripp Lite. Consulte la sección de Configuración de Módulos de Baterías Externas bajo Operaciones.

PRECAUCIÓN: No abra o mutile las baterías. El material liberado es dañino a la piel y ojos. Puede ser tóxico. Al trabajar con baterías deben observarse las siguientes precauciones: Determine si la batería se ha conectado a tierra en forma inadvertida. Si se ha conectado a tierra de forma inadvertida, elimine el origen de la conexión a tierra. Hacer contacto con cualquier parte de una batería conectada a tierra puede causar una descarga eléctrica. La posibilidad de dicha descarga puede reducirse si las conexiones a tierra son eliminadas durante a instalación y mantenimiento. (Esto es aplicable a las alimentaciones del equipo y batería remota que no tengan un circuito de alimentación conectado a tierra).

Solución de Problemas y Registro de Eventos

Consulte la siguiente tabla para explicación de fallas del UPS y advertencias que pueden ser accesibles a través de la función del Registro de Eventos mediante la pantalla LCD o el Programa PowerAlert, así como soluciones sugeridas para cada falla/advertencia.

Falla/Alarma	Mensaje de Encabezado del LCD	Mensaje de la Pantalla LCD	Pantalla LCD de Registro de Eventos (Tipo de Evento con Fecha y Hora)	¿Falla o Alarma?	Comentarios Adicionales
Errores/Fallas Internas del UPS:					
Arranque con Bajo Voltaje del BUS	Error de Inversor 1	Error de inversor. Reinicie el UPS. Si el problema persiste, póngase en contacto con Tripp Lite.	mm/dd/aaaa Inv Err 1 hh:mm	Falla del UPS	
Sobrevoltaje del Bus	Error de Inversor 2	Error de inversor. Reinicie el UPS. Si el problema persiste, póngase en contacto con Tripp Lite.	mm/dd/aaaa Inv Err 2 hh:mm	Falla del UPS	
Bajo Voltaje del Bus	Error de Inversor 3	Error de inversor. Reinicie el UPS. Si el problema persiste, póngase en contacto con Tripp Lite.	mm/dd/aaaa Inv Err 3 hh:mm	Falla del UPS	
Desbalanceo de Voltaje del Bus	Error de Inversor 4	Error de inversor. Reinicie el UPS. Si el problema persiste, póngase en contacto con Tripp Lite.	mm/dd/aaaa Inv Err 4 hh:mm	Falla del UPS	
Falla del Arranque Suave del Inversor	Error de Inversor 5	Error de inversor. Reinicie el UPS. Si el problema persiste, póngase en contacto con Tripp Lite.	mm/dd/aaaa Inv Err 5 hh:mm	Falla del UPS	
Sobrevoltaje del Inversor	Error de Inversor 6	Error de inversor. Reinicie el UPS. Si el problema persiste, póngase en contacto con Tripp Lite.	mm/dd/aaaa Inv Err 6 hh:mm	Falla del UPS	
Bajo Voltaje del Inversor	Error de Inversor 7	Error de inversor. Reinicie el UPS. Si el problema persiste, póngase en contacto con Tripp Lite.	mm/dd/aaaa Inv Err 7 hh:mm	Falla del UPS	
Corto Circuito del Inversor	Error de Inversor 8	Corto en la salida del Inversor. Elimine la fuente del corto circuito de la salida del UPS.	mm/dd/aaaa Inv Err 8 hh:mm	Falla del UPS	
Errores/Fallas Relativos a la Batería/Cargador:					
Falla del Cargador	Falla del Cargador	Si el problema persiste, póngase en contacto con Tripp Lite.	mm/dd/aaaa Chrg Err 1 hh:mm	Advertencia	El cargador no está trabajando. No hay corriente de carga.
Sobrecarga	Sobrecarga	Si el problema persiste, póngase en contacto con Tripp Lite.	mm/dd/aaaa Chrg Err 2 hh:mm	Advertencia	El cargador está trabajando pero el voltaje de carga es demasiado alto.
Sobrevoltaje de la Batería	Sobrevoltaje de la Batería	Compruebe el tipo de batería usado. Si el problema persiste, póngase en contacto con Tripp Lite.	mm/dd/aaaa Batt Err 1 hh:mm Nota: Si el UPS se apaga por Batt Err 1, otro evento, "Batt Err 1 SD", se registra también en la pantalla de registro de eventos.	Falla del UPS	
Bajo Voltaje de la Batería	Bajo Voltaje de la Batería	Compruebe el tipo de batería usado. Si el problema persiste, póngase en contacto con Tripp Lite.	mm/dd/yyyy Batt Err 2 hh:mm Nota: Si el UPS se apaga por Batt Err 2, otro evento, "Batt Err 2 SD", se registra también en la pantalla de registro de eventos.	Falla del UPS	
Batería Mala	Batería Mala	Reinicie el UPS. Si el problema persiste, póngase en contacto con Tripp Lite.	mm/dd/yyyy Batt Err 3 hh:mm Nota: Si el UPS se apaga por Batt Err 3, otro evento, "Batt Err 3 SD", se registra también en la pantalla de registro de eventos.	Advertencia	
Batería Baja	Batería Baja	Guarde sus datos antes que se apague el UPS.	mm/dd/yyyy Low Batt hh:mm Nota: Si el UPS se apaga por Low Batt, otro evento, "Low Batt SD", se registra también en la pantalla de registro de eventos.	Advertencia	
Alerta del Envejecimiento de la Batería Interna	Alerta del Envejecimiento de la Batería	La batería interna puede necesitar remplazo.	mm/dd/yyyy Batt Alert 1 hh:mm	Advertencia	
Alerta del Envejecimiento de la Batería Externa Smart	Alerta del Envejecimiento de la Batería	La Batería Externa Smart: {SerialNumber} puede necesitar remplazo.	mm/dd/yyyy Batt Alert 2 hh:mm	Advertencia	
Alerta del Envejecimiento de la Batería Externa NON-SMART	Alerta del Envejecimiento de la Batería	La batería externa puede necesitar remplazo.	mm/dd/yyyy Batt Alert 3 hh:mm	Advertencia	
Batería Smart Cambiada	Batería Smart Cambiada	El número de módulos de baterías Smart cambió el mes/día/año hr: min. Se ha ajustado la autonomía. Si este cambio es inesperado, compruebe las comunicaciones de la batería Smart.	mm/dd/yyyy S BP Changed hh:mm	Advertencia	

Solución de Problemas y Registro de Eventos

Falla/Alarma	Mensaje de Encabezado del LCD	Mensaje de la Pantalla LCD	Pantalla LCD de Registro de Eventos (Tipo de Evento con Fecha y Hora)	¿Falla o Alarma?	Comentarios Adicionales
Errores/Fallas Relacionados con Carga/Temperatura:					
Falla de Sobre-temperatura	Falla de Sobre-temperatura	Compruebe ventilación y ventilador del UPS. Si el problema persiste, póngase en contacto con Tripp Lite.	mm/dd/yyyy OverTempFault hh:mm Nota: mm/dd/yyyy OverTemp SD hh:mm es también registrado cuando la unidad efectivamente se apaga después de estar en modo de falla.	Falla del UPS	En el momento que se alcance el umbral de sobre-temperatura, se disparará el evento OverTempFault y si está disponible CA, entonces dependiendo de la configuración del modo de falla, la unidad se transferirá al modo de Derivación o al modo de En Espera. Si no está disponible CA, la unidad transitará al modo de falla con la salida apagada, entonces se apagará.
Sobre-Temperatura (solo advertencia)	Sobre-Temperatura	Compruebe ventilación y ventilador del UPS. Si el problema persiste, póngase en contacto con Tripp Lite.	mm/dd/yyyy OverTempAlert hh:mm	Advertencia	Este es únicamente un umbral de advertencia. La unidad no debe tomar otra acción basada en este evento más que mostrar y registrar la advertencia.
Falla de Sobrecarga	Sobrecarga	Reduzca la carga conectada. Reinicie el UPS.	mm/dd/aaaa Overload hh:mm (mm/dd/aaaa Overload SD hh:mm es también registrado cuando la unidad efectivamente se apaga después de estar en modo de falla)	Falla del UPS	En el momento que se dispare el evento de sobrecarga, se registrará el evento de Sobrecarga y si está disponible CA, entonces dependiendo de la configuración del modo de falla, la unidad se transferirá al modo de Derivación o al modo de En Espera. Si no está disponible CA, la unidad transitará al modo de falla con la salida apagada, entonces se apagará. En este modo el UPS no se apagará intencionalmente debido a la sobrecarga sin importar qué tan alta es la carga. Nota: El breaker puede dispararse debido a la sobrecarga.
Advertencia de Sobrecarga	Alarma de Sobrecarga	Reduzca la carga conectada.	mm/dd/aaaa Overload ALM hh:mm	Advertencia	La alarma de sobrecarga se dispara cuando el nivel de carga está entre el 100% al 105% o cuando el nivel de carga alcance el nivel de advertencia de sobrecarga pre-configurado.
Otras Advertencias:					
EPO Activo	EPO Activo	Revise el interruptor EPO. Si el problema persiste, póngase en contacto con Tripp Lite.	mm/dd/aaaa EPO SD hh:mm	Advertencia	
Derivación Fuera de Rango	Error de Rango de Derivación	Compruebe el voltaje y la frecuencia de la alimentación de CA. Si el problema persiste, póngase en contacto con Tripp Lite.	mm/dd/aaaa Bypass Err 1 hh:mm	Advertencia	El voltaje de la entrada de CA puede estar cumpliendo con el requerimiento del rango pre-configurado de derivación, para más información consulte la sección Operaciones .
Frecuencia de Derivación Inestable	Error de Frecuencia de Derivación	Compruebe frecuencia de la alimentación de CA. Si el problema persiste, póngase en contacto con Tripp Lite.	mm/dd/aaaa Bypass Err 2 hh:mm	Advertencia	
Respaldo por Batería	N/A	N/A	mm/dd/aaaa On Batt hh:mm Nota: Si el UPS se apaga en modo de Respaldo por Batería basado en retraso pre-configurado, "On Battery [en Respaldo por Batería]" será reemplazado por "Timed SD [Temporizado SD]" y registrado como otro evento.	Normal	
Falla de CA	N/A	N/A	mm/dd/aaaa AC Failure hh:mm Nota: Si regresa una CA válida, "On Utility [En Energía de la Red Pública]" se registra como otro evento.	Normal	

Reemplazo de la Batería Interna

Puerta para Reemplazo de la Batería: Bajo condiciones normales, la batería original de su UPS durará varios años. El reemplazo de la batería debe llevarse a cabo sólo por personal de servicio calificado. Consulte "Advertencias de la Batería" en la sección de Seguridad. Si requiere una batería de reemplazo, puede encontrarla en www.tripplite.com/support/battery/index.cfm. Para encontrar la batería correcta de reemplazo para su UPS, consulte la tabla siguiente:

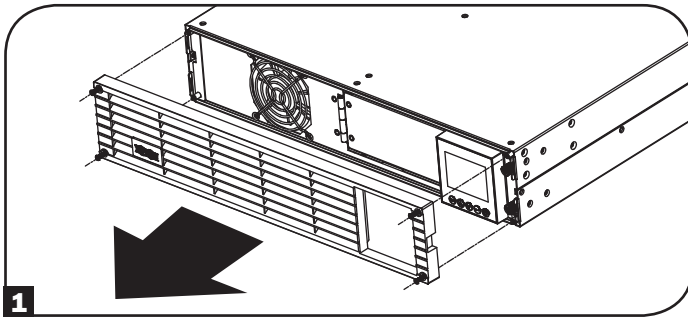
Modelo de UPS	Reemplazo del Cartucho de Batería
SUINT1000LCD2U	RBC24S
SUINT1500LCD2U	RBC36S
SUINT2200LCD2U	RBC48S
SUINT3000LCD2U / SU3000LCD2UHV	RBC72S

Para los procedimientos de extracción e instalación de la batería, consulte los diagramas siguientes.

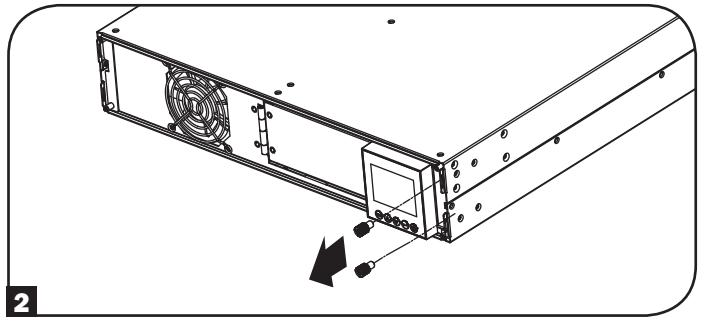
Todos los Modelos

Nota: Se muestra el SUINT1000LCD2U, pero el procedimiento es el mismo que para las otras unidades.

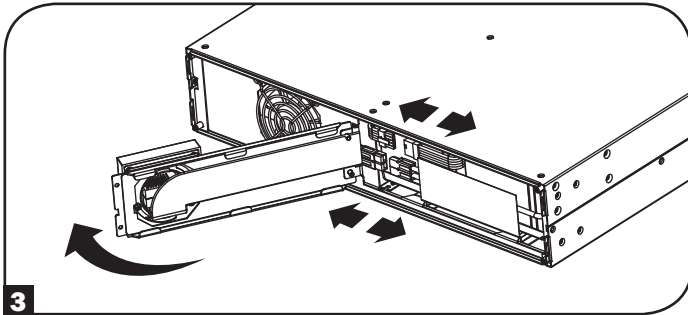
- 1** Retire los cuatro tornillos delanteros del bisel frontal y extráigalo.



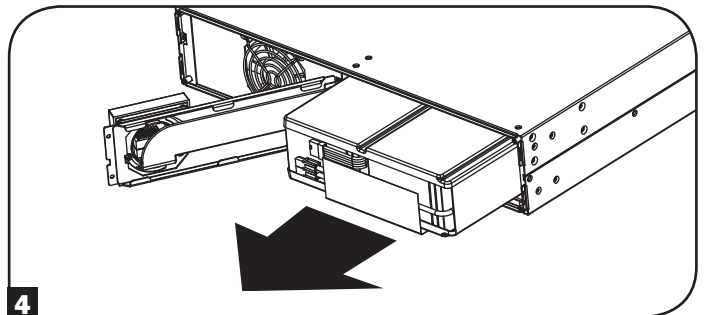
- 2** Afloje los dos tornillos que sujetan la placa frontal.



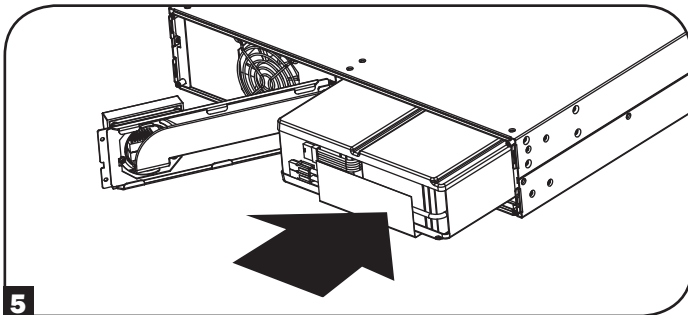
- 3** Abra la placa frontal. Desconecte el cable de alimentación de la batería y el cable de comunicación.



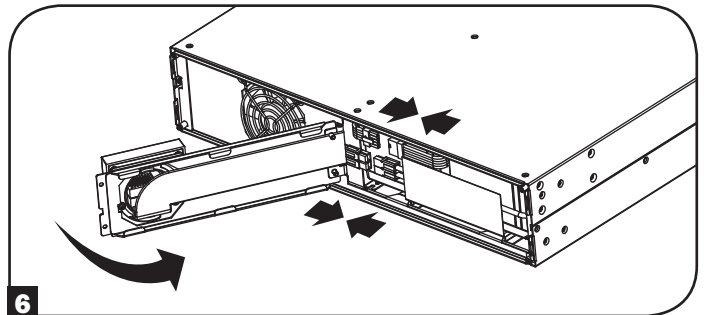
- 4** Retire el módulo de baterías viejo.



- 5** Instale el nuevo módulo de baterías en el UPS en la misma posición que el módulo original.

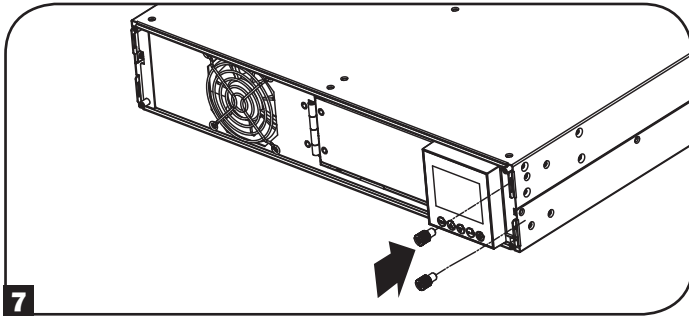


- 6** Reconecte el cable de alimentación de la batería y el cable de comunicación. Cierre la placa frontal.

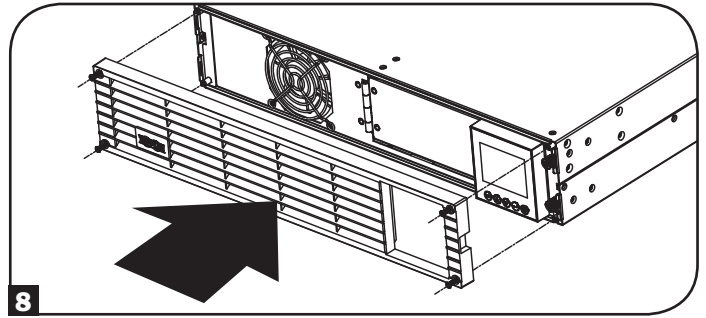


Reemplazo de la Batería Interna

7 Apriete los dos tornillos para sujetar la placa frontal.



8 Vuelva a colocar los cuatro tornillos frontales para sujetar el bisel.



Almacenamiento y Servicio

Almacenamiento

Primero, apague su UPS: oprima el interruptor "OFF" para cortar la energía a las salidas del UPS, entonces desconecte el cable de alimentación del tomacorrientes de la pared. A continuación, desconecte todo el equipo para evitar la descarga de la batería. Si planea almacenar su UPS por un período prolongado, recargue completamente las baterías del UPS trimestralmente conectando el UPS en un tomacorrientes de CA activo y dejándolo cargar por 4 a 6 horas. Si usted deja sus baterías del UPS descargadas por un período prolongado, pueden sufrir una pérdida permanente de capacidad.

Servicio técnico

Tripp Lite también pone a su disposición una variedad de Garantías extendidas y Programas de servicio técnico en el sitio. Si desea más información sobre el servicio técnico, visite www.tripplite.com/support. Antes de devolver su producto para servicio técnico, siga estos pasos:

1. Revise la instalación y los procedimientos de operación que se encuentran en este manual para asegurarse de que el problema de servicio no se debe a una mala lectura de las instrucciones.
2. Si el problema persiste, no se comunique ni devuelva el producto al mayorista. En cambio, visite www.tripplite.com/support.
3. Si el problema exige servicio técnico, visite www.tripplite.com/support y haga clic en el enlace Devoluciones de productos. Desde aquí puede solicitar un número de Autorización de Material Devuelto (RMA), que se necesita para el servicio técnico. En este sencillo formulario en línea se le solicitarán los números de serie y modelo de la unidad, junto con otra información general del comprador. El número RMA y las instrucciones para el envío se le enviarán por correo electrónico. La presente garantía no cubre ningún daño (directo, indirecto, especial o consecuencial) del producto que ocurra durante el envío a Tripp Lite o a un centro de servicio técnico de Tripp Lite autorizado. Los productos enviados a Tripp Lite o a un centro de servicio técnico de Tripp Lite autorizado deben tener prepagos los cargos de transporte. Escriba el número RMA en el exterior del embalaje. Si el producto se encuentra dentro del período de garantía, adjunte una copia de su recibo de venta. Envíe el producto para servicio técnico mediante un transportador asegurado a la dirección que se le proporcionó cuando solicitó el número RMA.

Cumplimiento de las normas

Cumplimiento de las normas de los números de identificación

Para fines de identificación y certificación del cumplimiento de las normas, su producto Tripp Lite tiene asignado un número de serie único. Puede encontrar el número de serie en la etiqueta de la placa de identificación del producto, junto con los símbolos de aprobación e información requeridos. Al solicitar información sobre el cumplimiento de las normas para este producto, siempre mencione el número de serie. El número de serie no debe ser confundido con el nombre de identificación ni con el número de modelo del producto.

Especificaciones EMC para Modelos con Aprobación EMC Categoría C2 (Modelos Selectos):

ADVERTENCIA: Este es un producto UPS categoría C2. En un ambiente residencial, este producto puede causar radio interferencia, en cuyo caso puede requerirse al usuario tomar medidas adicionales.

Información de sobre Cumplimiento de la WEEE para Clientes de Tripp Lite y Recicladores (Unión Europea)



Según la Directiva de Residuos de Aparatos Eléctricos y Electrónicos (Waste Electrical and Electronic Equipment, WEEE) y sus reglamentos, cuando los clientes compran nuevos equipos eléctricos y electrónicos a Tripp Lite, tienen derecho a:

- Enviar equipos antiguos para reciclaje según una base de uno por uno, entre productos similares (esto varía dependiendo del país)
- Enviar el equipo nuevo de vuelta para reciclaje cuando este se convierta finalmente en desecho

Reciclaje de UPS y Baterías



Por favor recicle los productos de Tripp Lite. Las baterías usadas en los productos de Tripp Lite son baterías selladas de Plomo-Ácido. Estas baterías son altamente reciclables. Refiérase por favor a sus códigos locales para requerimientos de desecho.

Puede llamar a Tripp Lite para reciclar, información al +1.773.869.1234.

Pb

Puede acudir al sitio Web de Tripp Lite en busca de información actualizada sobre el reciclaje de baterías o cualquier producto de Tripp Lite. Siga por favor este enlace: <http://www.tripplite.com/support/recycling-program/>

Tripp Lite tiene una política de mejora continua. Las especificaciones están sujetas a cambio sin previo aviso.



1111 W. 35th Street, Chicago, IL 60609 USA • www.tripplite.com/support

Manuel d'utilisation

SmartOnline®

Onduleurs on-line monophasés montables en rack avec écran de contrôle et de surveillance LCD intégré

Ne convient pas aux applications mobiles.

SUINT1000LCD2U (Numéro de série : AGPS8294) SUINT1500LCD2U (Numéro de série : AGPS8295) SUINT2200LCD2U (Numéro de série : AGPS7958) SUINT3000LCD2U (Numéro de série : AGPS7959) SU3000LCD2UHV (Numéro de série : AGPS8296)

1. Présentation	54	7. Utilisation	62
Liste des pièces	54	Commandes et écran LCD du	62
Accessoires supplémentaires	54	panneau avant	
Accessoires spécifiques à	54	Fonctions des boutons du	63
certains modèles		panneau avant	
2. Instructions de sécurité importantes	54	Présentation de l'écran d'accueil	63
3. Schéma fonctionnel du circuit	55	Choix de la stratégie d'alimentation	64
de l'onduleur		(Power Strategy)	
4. Installation	56	Options de configuration et de	66
Installation en rack	56	sélection de l'écran LCD du panneau	
Installation en tour	57	avant de l'onduleur	
5. Connexions de base	58	Configuration des blocs-batteries	69
et démarrage		externes	
Guide de démarrage	58	8. Connexions facultatives	71
rapide		9. Dépannage et journal d'événements	74
6. Caractéristiques	60	10. Remplacement de la batterie interne	76
Commandes du panneau avant,	60	11. Stockage et entretien	77
écran LCD et voyants LED		12. Conformité aux règlements	78
Caractéristiques du panneau arrière	60	English	1
		Español	27
		Русский	79
		Deutsch	105

REMARQUE : les blocs-batteries externes optionnels doivent être configurés en utilisant l'interface LCD du panneau avant ou le logiciel EXTERNAL BATTERY CONFIGURATION (configuration de batterie externe) de Tripp Lite.



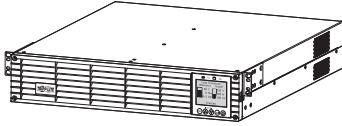
1111 W. 35th Street, Chicago, IL 60609 USA • www.tripplite.com/support

Copyright © 2016 Tripp Lite. Tous droits réservés. SmartOnline® est une marque commerciale de Tripp Lite.
Pour les toutes dernières informations, veuillez vous rendre sur www.tripplite.com

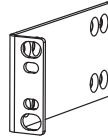
Présentation

Les onduleurs montables en rack SmartOnline avec interface LCD interactive assurent une protection on-line à double conversion avec signal sinusoïdal en continu et temps de transfert nul. Ils conviennent donc à toutes les applications de réseau avancées. Chaque onduleur garantit une longue autonomie grâce à une alimentation de secours par batterie. Cette autonomie peut être prolongée et la compatibilité avec les cartes Web est également possible. Parmi les interfaces intégrées : USB, série RS-232 et Arrêt d'urgence (EPO). L'écran LCD interactif du panneau avant affiche des informations détaillées sur l'état de l'onduleur, les options de contrôle et de réglage. Les options de rendement maximal et de stratégie d'alimentation auto-adaptative permettent un fonctionnement à haut rendement nécessitant moins d'énergie et dégageant moins de chaleur.

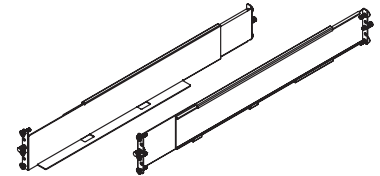
Liste des pièces



Onduleur



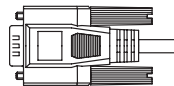
Oreilles de montage à fixer par vis (2)



Kit de rails pour rack à 4 montants



Câble USB



Câble RS-232



Manuel d'utilisation

Accessoires supplémentaires (tous les modèles ; optionnel)*

- SNMPWEBCARD : carte d'interface réseau interne pour le contrôle et la surveillance SNMP/Web
- WEBCARDLX : Carte auxiliaire de gestion Web
- 2POSTRMKITWM : permet d'installer un onduleur et des blocs-batteries montables en rack dans un rack à 2 montants ou sur un mur
- 2-9USTAND : permet d'installer en format tour (vertical) un onduleur et des blocs-batteries montables en rack

* Certains modèles sont aussi livrés avec des câbles adaptateurs entrée/sortie optionnels.

Accessoires spécifiques à certains modèles (optionnel)*

Modèle d'onduleur	SUINT1000LCD2U	SUINT1500LCD2U	SUINT2200LCD2U	SUINT3000LCD2U / SU3000LCD2UHV
Blocs-batteries externes « SMART »**	BP24V36-2US	BP36V27-2US	BP48V27-2US	BP72V18-2US
Blocs-batteries externes « NON-SMART »**	BP24V15RT2U (limite de 1) BP24V28-2U (limite de 1) BP24V70-3U	BP36V15-2U (limite de 1) BP36V42-3U	BP48V24-2U (limite de 1) BP48V60RT3U	BP72V15 (limite de 1) BP72V28RT3U

* Consultez la page de spécifications correspondant à votre onduleur sur www.tripplite.com pour avoir des informations détaillées sur l'extension de l'autonomie et sur les accessoires supplémentaires disponibles.

** Pour la configuration de la batterie externe, reportez-vous à la section Utilisation afin de connaître la méthode de configuration et les différentes possibilités. Les blocs-batteries SMART sont automatiquement détectés par l'onduleur.

Instructions de sécurité importantes



CONSERVEZ CES INSTRUCTIONS

Ce manuel contient des instructions et des avertissements devant être suivis pour l'installation, l'utilisation et le rangement de tous les onduleurs Tripp Lite. Le non-respect de ces avertissements risque d'affecter votre garantie.

Avertissements concernant l'emplacement de l'onduleur

- Installez votre onduleur à l'intérieur et veillez à ce qu'il ne soit pas dans un endroit trop humide ou trop chaud, ou en contact avec des contaminants conducteurs, de la poussière ou la lumière directe du soleil.
- Pour des performances optimales, veillez à ce que la température intérieure soit maintenue entre 0 °C et 40 °C.
- Laissez suffisamment d'espace de chaque côté de l'onduleur pour garantir une bonne ventilation.
- **Ne montez pas l'unité avec son panneau avant ou arrière orienté vers le bas (quel que soit l'angle). Le positionner de cette façon entraverait sérieusement le refroidissement interne de l'unité, ce qui pourrait causer des dommages non couverts par la garantie.**

Instructions de sécurité importantes



Avertissements concernant la connexion de l'onduleur

- Connectez directement votre onduleur à une prise de courant CA correctement mise à la terre. Ne branchez pas l'onduleur à lui-même, cela endommagerait l'onduleur.
- Ne modifiez pas la fiche de l'onduleur, et n'utilisez pas un adaptateur qui empêcherait la connexion à la terre de l'onduleur.
- N'utilisez pas de rallonge pour connecter l'onduleur à une prise CA. Votre garantie sera annulée si vous utilisez autre chose que les parasurtenseurs Tripp Lite pour connecter votre onduleur à une prise.
- Si l'onduleur est alimenté par un générateur CA à moteur, le générateur doit fournir un courant filtré, de haute qualité et approprié pour les ordinateurs.
- La prise secteur utilisée pour l'alimentation de l'onduleur doit être facilement accessible et située à proximité de l'onduleur.
- Pour retirer de la tension CA de l'onduleur, débranchez la fiche de la prise secteur.

Avertissements concernant la connexion de l'équipement

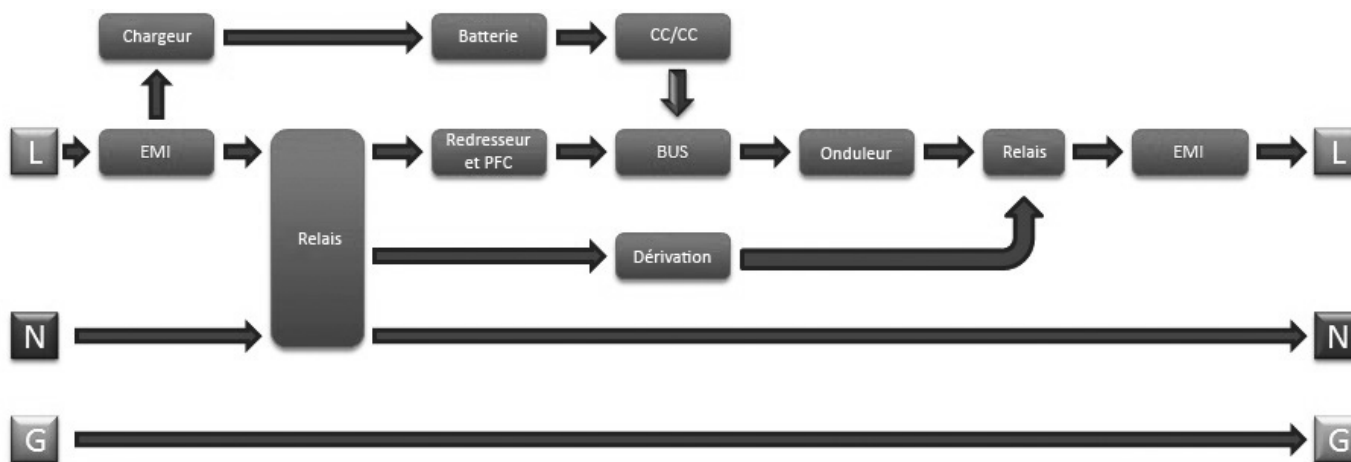
- L'utilisation de ce produit avec des dispositifs de maintien en vie n'est pas recommandée dans les cas où une panne de ce produit serait susceptible d'entraîner une panne du dispositif de maintien en vie ou de nuire considérablement à sa sécurité ou à son efficacité.
- Ne branchez pas de parasurtenseurs ou de rallonges en sortie de votre onduleur. Cela risque d'endommager l'onduleur et peut affecter la garantie et de l'onduleur et celle du parasurtenseur.
- Connectez l'onduleur à une prise qui est correctement protégée contre les surintensités, les courts-circuits et les défauts à la terre et intégrée dans l'installation du bâtiment. La protection de prise pour l'UPS doit être en série avec l'entrée secteur.
- Pour limiter le risque d'incendie, la connexion doit se faire uniquement à un circuit disposant d'un dispositif de protection divisionnaire avec une intensité nominale conforme au National Electrical Code® (NEC®), au ANSI/NFPA 70 ou aux règles électriques locales. En Europe, le disjoncteur doit répondre aux exigences de la norme CEI/EN 60934 et avoir une distance entre contacts d'au moins 3 mm. Le calibre de disjoncteur recommandé pour une installation de bâtiment est 240 V/20 A.

Avertissements concernant la batterie

- Les batteries peuvent présenter un risque de brûlure et de décharge électrique en raison de courants élevés de court-circuit. Observez les précautions d'usage. Ne jetez pas les batteries au feu. N'ouvrez pas l'onduleur, ni les batteries. Ne court-circuitez pas et ne reliez pas les bornes de la batterie avec un objet. Débranchez et éteignez votre onduleur avant de remplacer la batterie. Utilisez des outils à poignées isolées. Vous ne pouvez réparer aucune des pièces internes de l'onduleur. Le remplacement de la batterie doit être effectué uniquement par un professionnel de maintenance agréé utilisant des batteries en nombre et de type identiques (scellées plomb-acide). Les batteries sont recyclables. Respectez les règles locales relatives à la mise au rebut ou consultez www.tripplite.com/UPSbatteryrecycling pour en savoir plus sur le recyclage des batteries. Tripp Lite propose une gamme complète de batteries de rechange (R.B.C.). Consultez la page du site Web de Tripp Lite www.tripplite.com/support/battery/index.cfm pour trouver la batterie de rechange adaptée à votre onduleur.

Remarque : Pour la configuration de la batterie externe, reportez-vous à la section **Utilisation** afin de connaître la méthode de configuration et les différentes possibilités. Les BLOCS-BATTERIES SMART sont automatiquement détectés par l'onduleur.

Schéma fonctionnel du circuit de l'onduleur



Installation

Installation en rack

Vous pouvez installer votre équipement dans un rack à 2 montants, un rack à 4 montants ou un rack de type armoire. L'utilisateur doit s'assurer que le matériel et les procédures sont appropriées avant de procéder à l'installation. Si le matériel et les procédures ne sont pas adaptés à votre application, veuillez contacter le fabricant de votre rack ou de votre armoire. Les procédures décrites dans ce manuel sont adaptées aux racks à cadre ouvert et aux racks de type armoire ordinaires et peuvent ne pas être appropriées à toutes les applications.

Installation en rack à 4 montants

- 1 Les taquets de fixation en plastique fournis **A** permettent de supporter de façon temporaire les tablettes de rack **B** pendant que vous installez le matériel de montage permanent. Insérez un taquet de fixation dans le troisième trou en partant du haut à l'extrémité avant de chaque support. Au niveau de l'extrémité arrière, insérez un taquet de fixation dans le trou central. (Il y a 6 trous à l'extrémité avant de chaque support et 5 trous à l'extrémité arrière.) Les taquets de fixation doivent être insérés jusqu'à ce que vous entendiez un déclic.

Après avoir placé les taquets, déployez chaque support de sorte que leur longueur corresponde à la profondeur des rails de votre rack. Les taquets s'encastrent dans les trous carrés des rails du rack pour supporter les tablettes. Regardez les étiquettes du rack pour vérifier que les tablettes sont à niveau égal verticalement et horizontalement.

Remarque : le rebord de chaque tablette doit être orienté vers l'intérieur.

- 2 Retirez les taquets de l'extrémité avant de chaque support. Fixez les tablettes **B** aux rails de montage de façon permanente en utilisant les vis et les rondelles à collerette fournies **C** tel qu'indiqué sur l'illustration. Placez 2 vis à l'avant de chaque rail (4 au total) et 2 vis à l'arrière de chaque rail (4 au total). Serrez toutes les vis avant de passer à la suite.

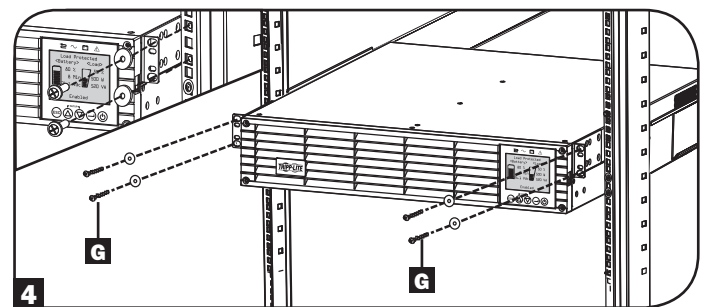
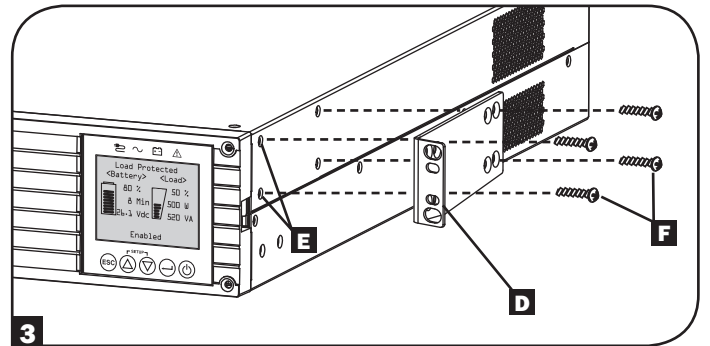
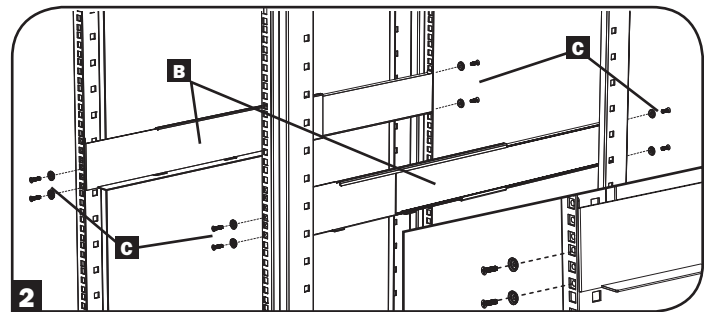
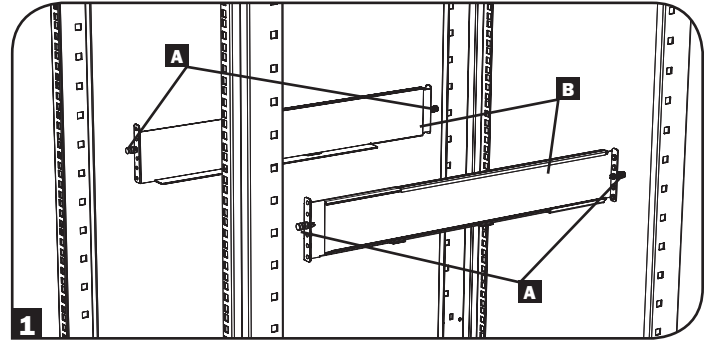
Remarque : les taquets de fixation arrière peuvent être laissés pendant l'installation, mais les taquets avant doivent être retirés avant que le support ne soit fixé par les vis.

ATTENTION !

N'essayez pas d'installer votre onduleur avant d'avoir inséré et serré les vis nécessaires. Les taquets de fixation en plastique ne supporteront pas le poids de votre onduleur.

- 3 Fixez les supports de montage de votre onduleur **D** sur les trous de montage avant **E** de l'onduleur en utilisant le matériel de montage fourni **F**. Les « oreilles » des supports doivent être orientées vers l'avant.

- 4 Avec l'aide d'une autre personne (si nécessaire), soulevez l'onduleur et faites-le coulisser le long des tablettes. Fixez les supports de montage de l'onduleur aux rails de montage avant avec des vis et des rondelles (non fournies) **G**. Serrez les vis fermement.



Installation en rack à 2 montants

Si vous souhaitez installer un modèle d'onduleur 2U dans un rack à 2 montants, vous devez disposer d'un kit d'installation en rack à 2 montants de Tripp Lite (référence : 2POSTRMKITWM, vendu séparément). Veuillez vous reporter au manuel d'utilisation du kit d'installation pour la procédure d'installation.

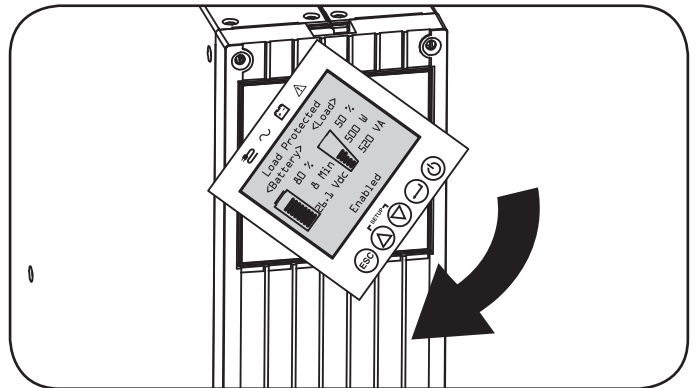
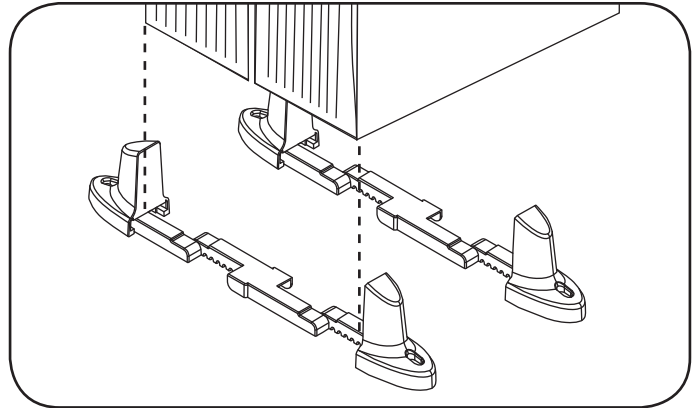
Installation

Installation en format tour

Votre onduleur peut être installé en format tour (position verticale) grâce aux supports pour positionnement en tour optionnels de Tripp Lite, vendus séparément (référence : 2-9USTAND). Si vous installez l'onduleur sur des supports réglables, assurez-vous d'orienter le panneau de contrôle vers le haut. Le panneau de contrôle peut pivoter pour faciliter la lecture. Retirez les 4 vis avant du panneau avant et retirez-le. Pincez les languettes situées sur les côtés du panneau LCD puis faites-le pivoter. Remettez le panneau avant et fixez-le. L'installation du panneau avant doit uniquement être réalisée par le personnel de maintenance.

ATTENTION !

Tous les onduleurs sont extrêmement lourds. Soyez vigilant lorsque vous soulevez et installez un onduleur. L'utilisateur doit stabiliser l'onduleur correctement lorsqu'il le soulève et l'installe.



Modèle d'onduleur	SUINT1000LCD2U	SUINT1500LCD2U	SUINT2200LCD2U	SUINT3000LCD2U / SU3000LCD2UHV
Dimensions de l'onduleur (H x L x P)	8,6 x 43,8 x 39,6 cm	8,6 x 43,8 x 49,6 cm	8,6 x 43,8 x 49,6 cm	8,6 x 43,8 x 61,6 cm

Altitude de fonctionnement : 0 à 3000 m

REMARQUE CONCERNANT LA CONFIGURATION DE LA BATTERIE EXTERNE

Si des blocs-batteries externes doivent être utilisés avec cet onduleur, installez-les en respectant les instructions d'installation/de montage fournies avec chaque bloc-batterie. Pour l'installation d'un bloc-batterie externe, la configuration de l'onduleur doit se faire de l'une de ces deux façons :

1. Via l'interface LCD du panneau avant de l'onduleur
2. Via le logiciel EXTERNAL BATTERY CONFIGURATION (configuration de batterie externe) de Tripp Lite

Cet onduleur est programmé par défaut avec des courbes de décharge et des profils de charge pour des configurations avec un bloc-batterie externe accessibles via l'interface LCD du panneau avant de l'onduleur. Il est également possible d'ajouter plusieurs blocs-batteries ou des blocs-batteries plus volumineux, mais la configuration doit alors se faire en utilisation le logiciel EXTERNAL BATTERY CONFIGURATION (configuration de batterie externe) de Tripp Lite et une connexion via port série à l'onduleur est nécessaire.

Connexions de base et démarrage

Guide de démarrage rapide - Première mise sous tension de l'onduleur

1 Brancher le cordon d'alimentation de votre onduleur à une prise électrique

Votre onduleur doit être connecté à un circuit dédié avec un ampérage suffisant.

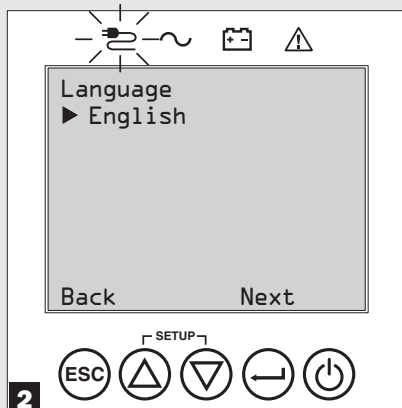
Veillez vous reporter au tableau des valeurs nominales figurant sur l'onduleur pour des informations plus détaillées.

2 Sélectionner votre langue

Lorsque votre onduleur sera branché pour la première fois, le voyant INPUT AC (Entrée CA) s'allumera et l'écran LCD du panneau avant vous proposera de choisir une langue.

En utilisant les boutons HAUT / BAS (▲▼), choisissez la langue souhaitée, puis appuyez sur le bouton NEXT (SUIVANT) (→).

L'interface confirmera votre sélection et vous proposera de revenir en arrière, en appuyant sur BACK (RETOUR) (ESC), ou de passer à l'étape suivante, en appuyant sur NEXT (SUIVANT) (→).

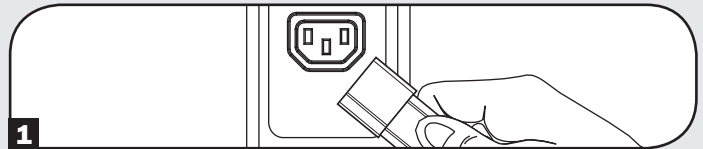
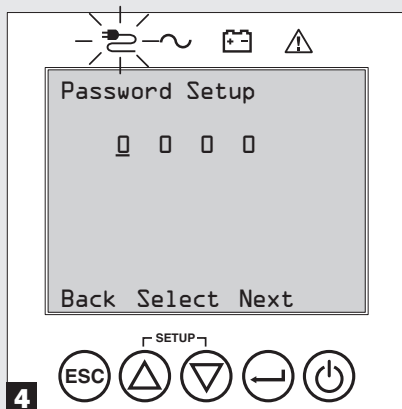


4 Définir votre mot de passe

Ensuite, l'onduleur vous demandera de définir le mot de passe (PASSWORD) souhaité.

En utilisant les boutons HAUT / BAS (▲▼), sélectionnez le premier chiffre du mot de passe souhaité, puis appuyez sur le bouton NEXT (SUIVANT) (→) pour passer au deuxième chiffre. Faites la même chose pour le deuxième, le troisième et le quatrième chiffre.

Remarque : pour définir rapidement le mot de passe « 0 0 0 0 », appuyez sur le bouton NEXT (SUIVANT) quatre fois consécutives.

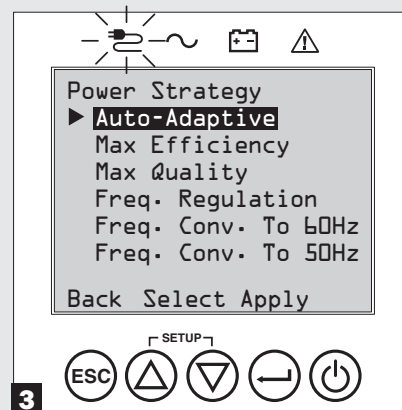


3 Choisir votre stratégie d'alimentation (Power Strategy)

Ensuite, l'onduleur vous demandera de choisir la stratégie d'alimentation (POWER STRATEGY) souhaitée.

En utilisant les boutons HAUT / BAS (▲▼), choisissez la stratégie d'alimentation souhaitée, puis appuyez sur le bouton APPLY (APPLIQUER) (→).

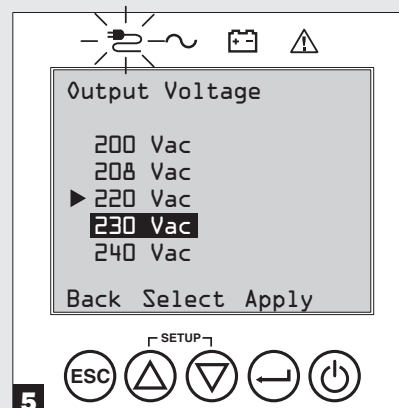
Veillez vous reporter aux sections **Choix de la stratégie d'alimentation (Power Strategy)** et **Modes de fonctionnement de l'onduleur**, dans la section Utilisation, pour connaître les caractéristiques de fonctionnement de chaque stratégie d'alimentation.



5 Sélectionner la tension de sortie de votre onduleur

Ensuite, l'onduleur vous demandera de choisir la tension de sortie (OUTPUT VOLTAGE) souhaitée.

En utilisant les boutons HAUT / BAS (▲▼), choisissez la tension de sortie de l'onduleur, puis sélectionnez APPLY (APPLIQUER) (→).

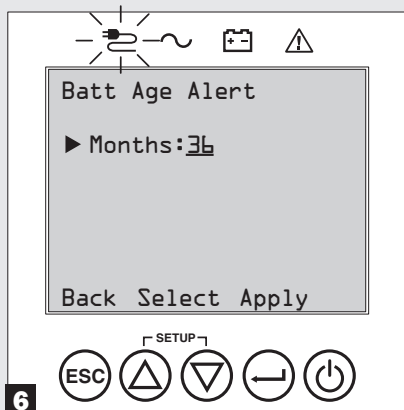


Connexions de base et démarrage

6 Sélectionner l'alerte d'âge de la batterie de l'onduleur

Ensuite, l'onduleur vous demandera de définir à quel moment l'alerte d'âge de la batterie (BATTERY AGE ALERT) doit être déclenchée.

En utilisant les boutons HAUT / BAS (▲▼), choisissez à quel moment l'alerte d'âge de la batterie doit être déclenchée (nombre de mois) (⊖).

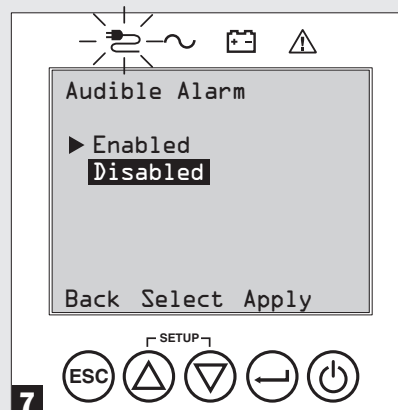


7 Sélectionner si l'alarme sonore est activée ou désactivée

Ensuite, l'onduleur vous demandera de choisir si l'alarme sonore doit être activée (ENABLED) ou désactivée (DISABLED).

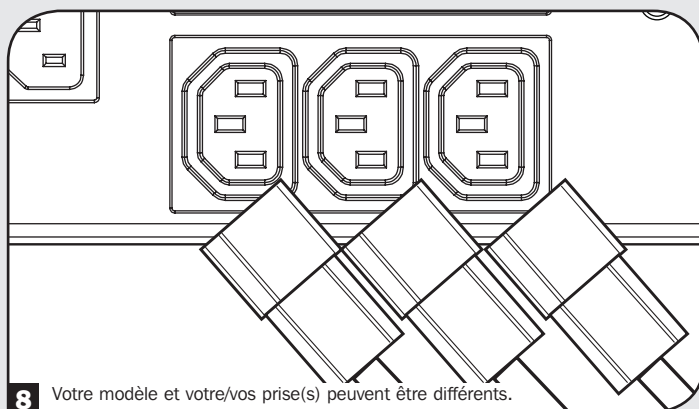
En utilisant les boutons HAUT / BAS (▲▼), choisissez si l'alarme doit être activée (ENABLED) ou désactivée (DISABLED), puis appuyez sur APPLY (APPLIQUER) (⊖).

Remarque : le fait de désactiver l'alarme l'empêche de sonner en cas de panne de courant ou de défaillance de l'onduleur uniquement. Si l'alarme est désactivée, elle continuera tout de même d'émettre un signal pour confirmer le choix de l'utilisateur via les boutons de navigation de l'écran LCD du panneau avant.



8 Brancher votre équipement à l'onduleur

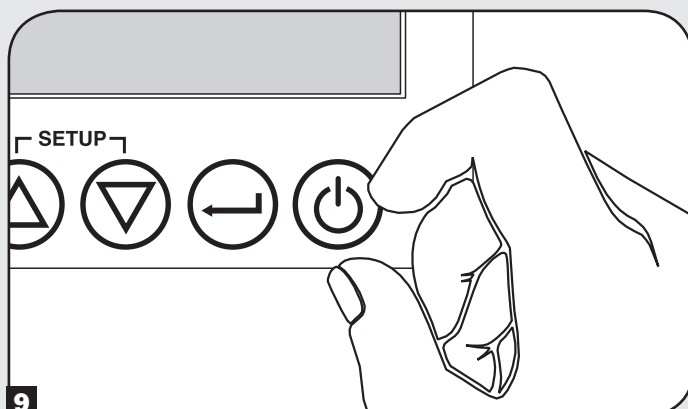
Votre onduleur est conçu pour prendre en charge les équipements de réseau, de serveur et les ordinateurs uniquement.



8 Votre modèle et votre/vos prise(s) peuvent être différents.

9 Mettre l'onduleur sous tension

Appuyez sur le bouton d'alimentation (POWER) (⏻) pendant 3 secondes et relâchez-le lorsque l'alarme commence à sonner.



L'onduleur effectuera ensuite une série de diagnostics avant d'activer le courant en sortie. Une fois que l'onduleur indique l'état de fonctionnement NORMAL / LOAD PROTECTED (NORMAL / CHARGE PROTÉGÉE) et que la stratégie d'alimentation configurée est activée, il peut directement être utilisé pour protéger de façon fiable votre équipement de nombreux problèmes d'alimentation.

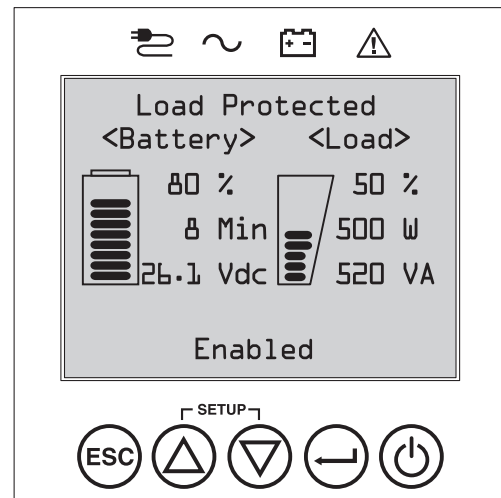
Caractéristiques

Avant d'installer et d'utiliser votre onduleur, familiarisez-vous avec l'emplacement et le rôle des fonctions de chaque composant.

Commandes du panneau avant, écran LCD et voyants LED

L'écran LCD du panneau avant affiche de nombreuses informations utiles sur les conditions de fonctionnement et les diagnostics de l'onduleur. Il affiche également les réglages et les options de l'onduleur via les écrans de configuration de l'onduleur. Les cinq boutons sous l'écran LCD peuvent être utilisés pour naviguer dans les différents menus d'information, de configuration et de contrôle en suivant les instructions et les choix proposés à l'écran. De plus, des voyants LED, situés au-dessus de l'écran LCD, permettent de voir en un coup d'œil l'état de la source d'entrée CA, le courant disponible en sortie, l'état de la batterie et l'état d'avertissement/de défaillance.

Reportez-vous à la section **Utilisation** pour avoir une description détaillée des fonctions de l'écran LCD, des boutons et des voyants LED.

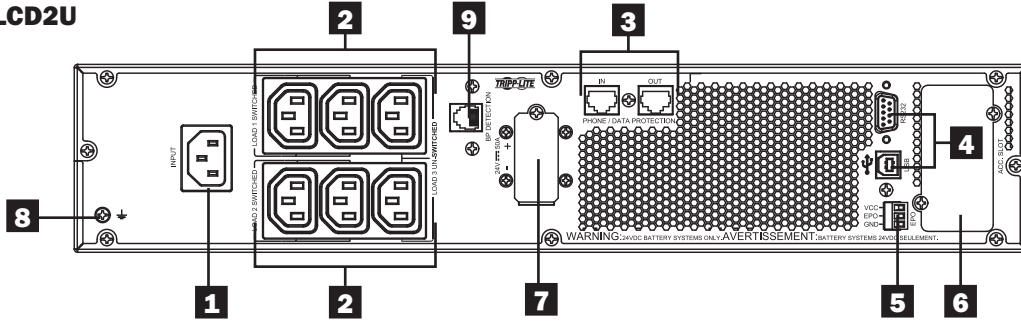


Caractéristiques du panneau arrière

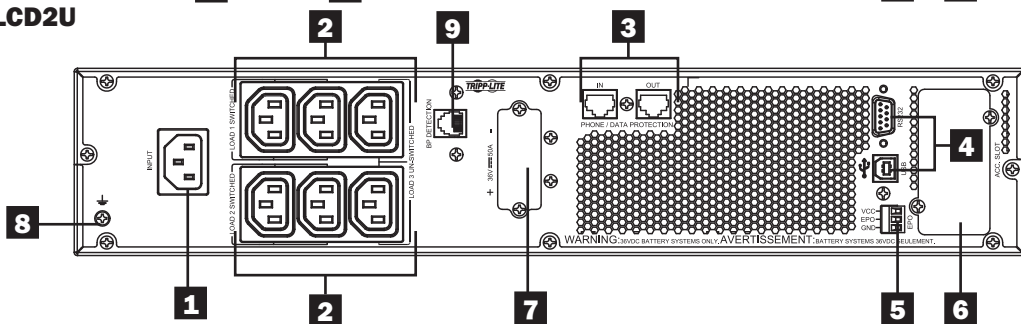
- 1 Port de connexion du cordon d'entrée :** permet une connexion au courant CA via un cordon (non fourni) avec une fiche spécifique au pays ou un cordon d'alimentation branché de façon permanente.
- 2 Prises CA (différent en fonction du modèle) :** Ces prises de sortie alimentent l'équipement connecté en leur fournissant un courant CA à signal sinusoïdal pur en cas de fonctionnement normal et l'énergie de la batterie en cas de panne de courant ou de forte baisse de tension. Le courant fourni par ces prises est filtré afin de protéger l'équipement connecté du bruit de ligne et d'éventuels dégâts liés à des surtensions. Les prises sont disposées en un certain nombre de bancs de charge, tel qu'indiqué sur l'appareil. En utilisant le logiciel PowerAlert et des câbles, les bancs de charge 1 et 2 peuvent être éteints et allumés individuellement à distance, ce qui permet à l'utilisateur de réinitialiser ou de redémarrer des appareils connectés.
- 3 Ports de protection de téléphone ou de téléphone/réseau :** ces ports protègent votre équipement des surtensions sur une ligne téléphonique ou une ligne de données téléphonique/de réseau. La connexion de votre équipement à ces ports est facultative. Votre onduleur fonctionnera correctement si cette connexion n'est pas effectuée.
Note : incompatibles avec les applications PoE (Power Over Ethernet / alimentation via Ethernet).
- 4 Ports de communication (USB ou RS-232) :** ces ports permettent de connecter votre onduleur à n'importe quel poste de travail ou serveur. Utilisez-le avec les câbles fournis et le logiciel PowerAlert de Tripp Lite pour que votre ordinateur puisse automatiquement enregistrer les fichiers ouverts et arrêter les équipements en cas de coupure d'électricité. Vous pouvez également utiliser le logiciel PowerAlert pour surveiller de nombreuses conditions de fonctionnement de l'onduleur et d'alimentation secteur CA. Consultez le manuel de votre logiciel PowerAlert ou contactez l'assistance clientèle de Tripp Lite pour en savoir plus. Le port RS-232 9 broches prend également en charge les communications à contact sec. Veuillez vous reporter à **Communications USB et série RS-232** dans la section **Connexions facultatives** pour les instructions d'installation.
- 5 Port EPO (Emergency Power Off / arrêt d'urgence) :** votre onduleur dispose d'un port d'arrêt d'urgence pouvant être utilisé pour connecter votre onduleur à un interrupteur à fermeture du contact afin de permettre l'arrêt d'urgence de l'onduleur. Veuillez vous reporter à la section **Connexions facultatives** pour en savoir plus.
- 6 Emplacement pour accessoire :** retirez le petit panneau protecteur de cet emplacement afin de pouvoir utiliser des accessoires optionnels pour surveiller et contrôler votre onduleur à distance. Veuillez consulter www.tripplite.com pour voir la liste complète des accessoires, dont la carte WEBCARDLX pour le contrôle et la surveillance à distance de l'onduleur et de nombreux accessoires de connectivité et de gestion de réseau.
- 7 Connecteur pour bloc-batterie externe (configuration différente en fonction du modèle) :** il est possible d'ajouter à votre onduleur des blocs-batteries externes optionnels pour prolonger son autonomie. Reportez-vous à la section **Accessoires spécifiques aux modèles** dans la section Présentation pour voir les modèles compatibles et les limitations et la section **Configuration des blocs-batteries externes** dans la section **Utilisation** pour les instructions de configuration.
Remarque : les blocs-batteries externes optionnels doivent être configurés en utilisant l'interface LCD du panneau avant ou le logiciel EXTERNAL BATTERY CONFIGURATION (configuration de batterie externe) de Tripp Lite.
- 8 Vis de mise à la terre :** utilisez cette vis pour connecter un équipement nécessitant une mise à la terre.
- 9 Port de détection de batterie externe :** si vous utilisez une batterie externe avec communication intégrée, branchez le câble de communication sur ce port pour que l'onduleur puisse détecter automatiquement la batterie externe.

Caractéristiques

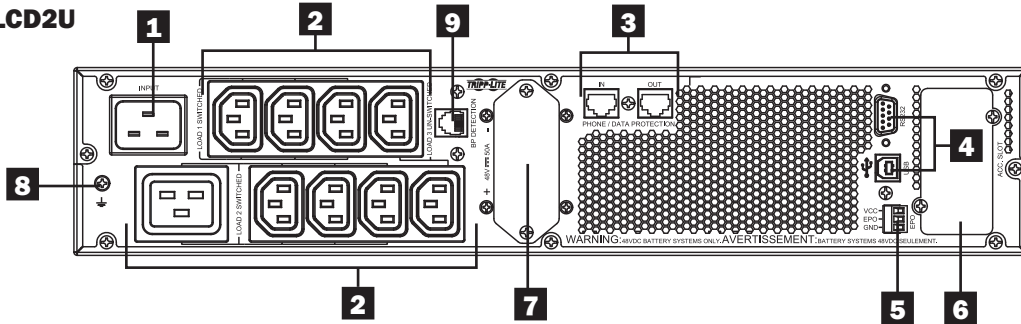
SUINT1000LCD2U



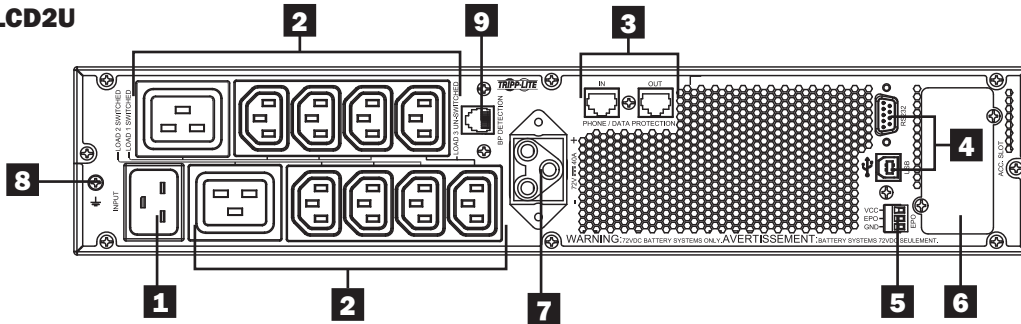
SUINT1500LCD2U



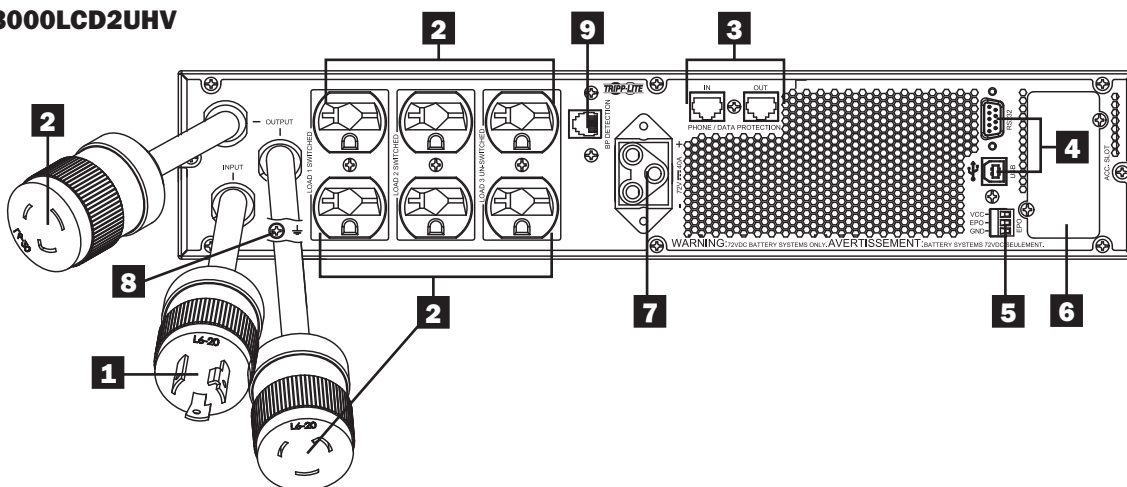
SUINT2200LCD2U



SUINT3000LCD2U



SU3000LCD2UHV

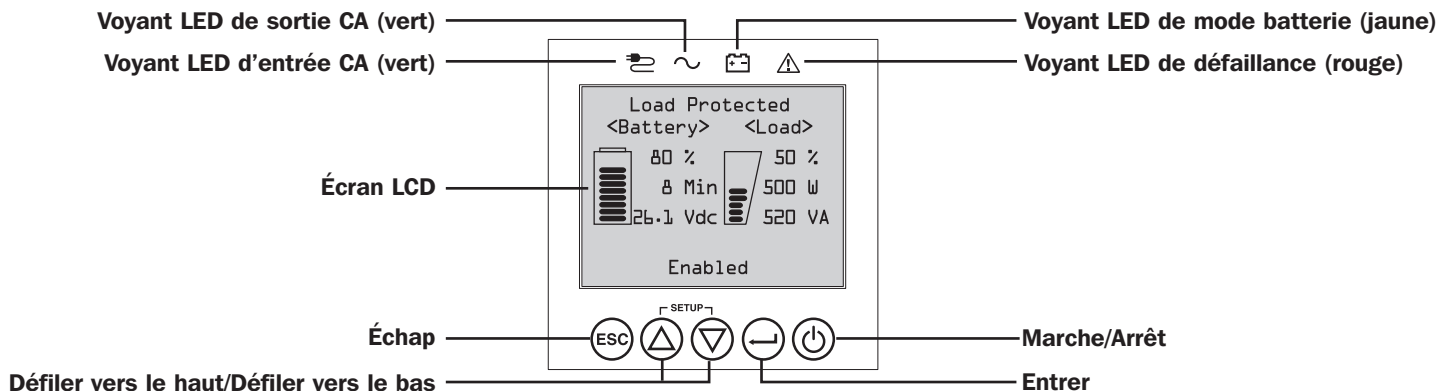


Utilisation

Cette section explique comment utiliser votre onduleur on-line Tripp Lite et porte notamment sur l'utilisation de l'écran LCD du panneau avant, sur les modes de fonctionnement, le démarrage et l'extinction de l'onduleur, le basculement d'un mode à l'autre, le réglage de la stratégie d'alimentation et la configuration des paramètres de dérivation, des segments de charge et des paramètres de la batterie.





Commandes et écran LCD du panneau avant

Le panneau avant de l'onduleur comporte un écran LCD avec 5 boutons ainsi que des voyants LED permettant d'avoir des informations sur l'état de l'onduleur, le niveau de charge et les événements et également de voir des mesures, des paramètres ainsi que de nombreuses options relatives à la stratégie d'alimentation et à la configuration de l'onduleur.



Voyants LED du panneau avant

Il y a 4 voyants LED au-dessus de l'écran LCD du panneau avant qui indiquent des informations sur les états d'entrée CA (AC INPUT), de dérivation (BYPASS), de sortie CA (AC OUTPUT), de mode batterie (BATTERY MODE) et de défaillance de l'onduleur (UPS FAULT).

	Voyant d'entrée CA (AC INPUT)
Allumé	L'entrée CA est disponible ET l'entrée CA se trouve DANS la plage du mode ECONOMY (économique) / BYPASS configurée. Quand ce voyant LED est ALLUMÉ sans interruption, la qualité de l'entrée CA est appropriée pour le fonctionnement de l'onduleur en mode BYPASS ou ECONOMY (économique).
Clignote	L'entrée CA est disponible ET l'entrée CA se trouve EN DEHORS DE la plage du mode BYPASS configurée. Quand ce voyant LED CLIGNOTE, la tension ou la fréquence de l'entrée CA n'est pas appropriée pour le fonctionnement de l'onduleur en mode BYPASS ou ECONOMY (économique).
Éteint	L'entrée CA n'est PAS disponible. Lorsque ce voyant LED est ÉTEINT, l'entrée CA n'est pas disponible.
	Voyant de sortie CA (AC OUTPUT)
Allumé	La sortie CA de l'onduleur est ACTIVÉE Le courant en sortie de l'onduleur est disponible aux prises de sortie de l'onduleur.
Éteint	La sortie CA de l'onduleur est DÉACTIVÉE Le courant en sortie CA n'est PAS disponible.
	Voyant du MODE BATTERIE
Allumé	L'onduleur fonctionne en mode batterie L'onduleur fonctionne en mode batterie et ses batteries se déchargent. S'allume aussi temporairement pendant l'autotest.
Clignote	L'onduleur fonctionne en mode batterie - Avertissement de batterie faible L'onduleur fonctionne en mode batterie et ses batteries se déchargent. Leur niveau de charge devient faible. Le voyant clignote toutes les 2 secondes pour indiquer que le NIVEAU DE BATTERIE EST FAIBLE et toutes les 0,5 secondes pour indiquer que les BATTERIES SONT PRESQUE ENTIÈREMENT DÉCHARGÉES et que l'onduleur est sur le point de s'éteindre.
	Voyant de défaillance de l'onduleur (UPS FAULT)
Allumé	L'onduleur rencontre une défaillance prédéfinie. Voir l'écran du panneau avant pour plus d'informations sur l'état ou le code de l'erreur. Voir les instructions à l'écran et se reporter au manuel pour savoir comment dépanner.
Éteint	Normal L'onduleur n'indique aucune défaillance quand cet indicateur est éteint.

Utilisation

Fonctions des boutons du panneau avant

Le panneau avant comporte 5 boutons qui permettent de contrôler et de configurer l'onduleur. Pour naviguer dans les différents menus d'information, de configuration et de contrôle de l'onduleur, utilisez les cinq boutons du panneau avant et suivez les instructions et les choix proposés à l'écran.



Bouton d'alimentation Marche / Arrêt : cette commande a trois fonctions principales : mise sous tension, mise hors tension et effacement d'un état de défaillance de l'onduleur.

Pour mettre l'onduleur sous tension dans un mode de fonctionnement protégé, appuyez sur ce bouton pendant 3 secondes pour que l'onduleur se connecte à la source d'alimentation CA. Relâchez le bouton lorsque l'alarme commence à sonner et l'onduleur démarrera en suivant la dernière stratégie d'alimentation configurée.

Pour démarrer l'onduleur « à froid » en mode batterie en cas de panne de courant, appuyez sur ce bouton pendant 3 secondes. Relâchez le bouton lorsque l'alarme commence à sonner et l'onduleur démarrera en mode batterie.

Pour éteindre l'onduleur lorsqu'il fonctionne en mode batterie ou en mode protégé, appuyez sur ce bouton pendant 3 secondes. Relâchez le bouton lorsque l'alarme commence à sonner. L'onduleur désactivera la sortie CA. Une fois que la sortie CA est désactivée, déconnectez l'onduleur de sa source d'alimentation et l'onduleur s'éteindra complètement.

Pour EFFACER UN ÉTAT DE DÉFAILLANCE DE L'ONDULEUR, appuyez sur ce bouton tel qu'indiqué à l'écran pendant 3 secondes. L'onduleur effacera l'état de défaillance et repassera en mode veille ou bypass.



Bouton ENTRER : cette commande est utilisée pour faire des sélections, confirmer des options et passer à la sélection suivante pendant que l'onduleur est configuré (mode setup/configuration). Appuyez sur ce bouton tel qu'indiqué à l'écran en mode configuration (Setup) pour Entrer, Confirmer ou Avancer lors du processus de configuration.



Boutons HAUT / BAS : ces commandes ont deux principales fonctions : un contrôle directionnel vers le « haut » et le « bas » et entrer / sortir du mode configuration/setup (lorsque l'on appuie sur les deux simultanément). Ces boutons sont utilisés pour naviguer dans les options du mode configuration (setup) et pour faire défiler les informations affichées sur l'écran vers le haut ou le bas si nécessaire.



Pour ENTRER ou SORTIR du MODE CONFIGURATION (SETUP) de l'onduleur, appuyez simultanément sur ces deux boutons pendant 3 secondes. Relâchez le bouton lorsque l'alarme commence à sonner. L'onduleur entre automatiquement en mode configuration (setup) si l'on appuie sur les deux boutons pendant les modes pour lesquels l'affichage LCD est activé. L'onduleur quitte automatiquement le mode de configuration si l'on appuie sur les deux boutons pendant qu'il est en mode UPS setup (configuration de l'onduleur).



Bouton ÉCHAP : cette commande a trois fonctions principales : arrêt de l'alarme, effacement d'état de défaillance et retour/annulation d'opération.

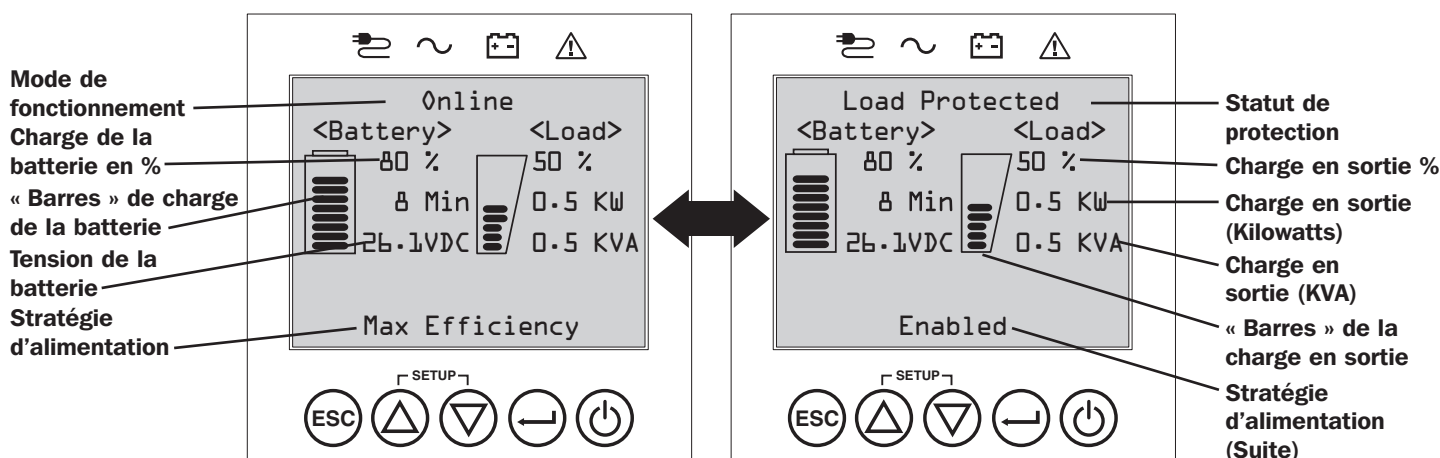
Pour ARRÊTER L'ALARME DE L'ONDULEUR, appuyez sur ce bouton. Si une nouvelle condition d'alarme se présente, l'alarme sonnera à nouveau.

Pour ANNULER ou REVENIR EN ARRIÈRE, appuyez sur ce bouton tel qu'indiqué à l'écran en mode Navigation ou Configuration (Setup).

Présentation de l'écran d'accueil

L'écran LCD du panneau avant de l'onduleur est configuré pour indiquer des informations sur le fonctionnement de l'onduleur en permanence via les écrans d'accueil du mode NORMAL et du mode BATTERY (batterie) qui affichent en continu le mode de fonctionnement, l'état de protection, la stratégie d'alimentation et plusieurs paramètres relatifs au niveau de charge et à la batterie.

Écrans d'accueil du mode normal



Choix de la stratégie d'alimentation (Power Strategy)

Les onduleurs SmartOnline à écran LCD de Tripp Lite bénéficient de plusieurs stratégies d'alimentation intégrées qui permettent d'optimiser les performances afin de répondre aux besoins de l'utilisateur : MAXIMUM POWER QUALITY (qualité d'alimentation maximale), MAXIMUM EFFICIENCY (rendement maximal), et FREQUENCY REGULATION (régulation de fréquence) ou FREQUENCY CONVERSION (conversion de fréquence). Une stratégie d'alimentation supplémentaire dite AUTO-ADAPTATIVE associe un rendement élevé à une qualité d'alimentation maximale. Chaque option de stratégie d'alimentation permet à l'onduleur de basculer automatiquement entre des modes de fonctionnement spécifiques en fonction de la puissance disponible et de l'état de l'onduleur. Les options de stratégie d'alimentation (power strategy) disponibles incluent :

- **La stratégie d'alimentation Auto-Adaptive (auto-adaptative)** permet à l'onduleur de basculer automatiquement entre le mode ONLINE (on-line) et le mode ECONOMY (économique) en fonction de la qualité et de la fiabilité de son alimentation. Si l'onduleur ne subit aucune coupure de courant en une semaine (à l'exception des autotests), celui-ci bascule automatiquement en mode ECONOMY (économique). Si une coupure de courant survient, l'onduleur maintient l'alimentation en sortie en mode BATTERY (batterie). Une fois l'alimentation rétablie, l'onduleur répète ce cycle et fonctionne en mode ONLINE (on-line) jusqu'à n'avoir constaté aucune coupure de courant en une semaine.
- **La stratégie d'alimentation Max-Efficiency (rendement maximal)** permet à l'onduleur de fonctionner en mode ECONOMY (économique) en permanence tant que le courant CA entrant est compris dans la plage de basse/haute tension de dérivation configurée. Si la tension d'entrée de l'onduleur n'est pas comprise dans la plage de dérivation, l'onduleur bascule automatiquement en mode ONLINE (on-line jusqu'au rétablissement d'une tension d'entrée CA comprise dans la plage de tension de dérivation configurée. Cette stratégie est similaire à la stratégie auto-adaptative, à l'exception du fait que le basculement en mode ECONOMY (économique) s'effectue immédiatement une fois la tension rétablie. Aucune période d'une semaine sans coupure de courant n'est nécessaire pour que l'onduleur bascule en mode ECONOMY (économique).
- **La stratégie d'alimentation de qualité maximale (Max-Quality)** permet à l'onduleur de fonctionner en mode ONLINE (mode on-line) en continu tant que l'alimentation CA est comprise dans la plage de fonctionnement du mode en ligne. L'onduleur fonctionnera en continu en mode on-line à double conversion, offrant la meilleure qualité de puissance de sortie possible associée à un temps de transfert nul. Le mode de dérivation automatique (Auto-bypass) est disponible en mode de panne de l'onduleur lorsque la tension d'entrée CA est comprise dans la plage de dérivation.
- **La stratégie d'alimentation de régulation de fréquence (Frequency Regulation)** est similaire à la stratégie d'alimentation de qualité maximale (Max-Quality), à l'exception du fait que l'onduleur régule de manière active la fréquence de sortie à +/- 0,05 Hz de la fréquence nominale de 50 ou 60 Hz mesurée au démarrage. L'onduleur fonctionnera en continu en mode on-line à double conversion, offrant la meilleure qualité de puissance de sortie possible associée à un temps de transfert nul. Le mode de dérivation automatique (Auto-bypass) est disponible en mode de panne de l'onduleur lorsque la tension d'entrée CA est comprise dans la plage de dérivation.
- **Les stratégies d'alimentation de conversion de fréquence en 60 Hz et conversion de fréquence en 50 Hz** sont similaires à la stratégie d'alimentation de qualité maximale (Max-Quality), à l'exception du fait que l'onduleur régule la fréquence de sortie à +/- 0,05 Hz de 50 Hz (conversion de fréquence en 50 Hz) ou 60 Hz (conversion de fréquence en 60 Hz). La dérivation automatique n'est pas disponible en mode FREQUENCY CONVERSION (conversion de fréquence). Les applications standard incluent la conversion de 50 à 60 Hz (ou de 60 à 50 Hz) pour les dispositifs électroniques sensibles.

Remarque : la puissance maximale tolérée par le système en modes de régulation/conversion de fréquence est réduite de 30 %.

Modes de fonctionnement de l'onduleur

Les onduleurs SmartOnline de Tripp Lite peuvent basculer automatiquement entre divers modes de fonctionnement en fonction de facteurs correspondant à la stratégie d'alimentation configurée. L'onduleur indique son état en permanence par l'intermédiaire des voyants LED du panneau avant et de l'écran LCD interactif.

- **Le mode BATTERY (batterie)** est la réaction automatique de l'onduleur aux pannes de courant et variations de tension hors de la plage de tension du mode on-line. En mode BATTERY (batterie), l'onduleur maintient un courant de sortie CA à signal sinusoïdal grâce aux réserves de la batterie. Une fois l'alimentation rétablie, l'onduleur bascule en mode de fonctionnement protégé conformément à la stratégie d'alimentation configurée et aux facteurs d'alimentation.
- **Le mode ONLINE** (également appelé MODE ON-LINE À DOUBLE CONVERSION) offre le niveau de protection des équipements le plus élevé de l'onduleur. En mode ONLINE, l'onduleur convertit de manière active le courant alternatif en courant continu avant de le reconverter en courant alternatif de manière à fournir un courant CA régulé en continu à +/- 2 % de la tension de sortie nominale choisie et avec un temps de transfert nul lors du basculement entre le mode ONLINE et le mode BATTERY (batterie).
- **Le mode ECONOMY (économique)** permet de réaliser des économies d'énergie en assurant le rendement maximal de l'onduleur. En mode ECONOMY (économique), l'onduleur économise de l'énergie en désactivant le processus on-line à double conversion lorsque la tension du courant entrant se trouve dans la plage de tension du mode ECONOMY (économique). Si la tension sort de la plage de tension du mode ECONOMY (économique), l'onduleur réagit en basculant automatiquement en mode ONLINE jusqu'au rétablissement de la tension.
- **Le mode FREQUENCY REGULATION (régulation de fréquence)** donne à l'onduleur la possibilité de corriger les variations de fréquence du courant d'entrée. Reportez-vous à la section **Choix de la stratégie d'alimentation** pour plus d'informations.

Utilisation

- Les modes **FREQUENCY CONVERSION (conversion de fréquence) en 60 Hz et 50 Hz** permettent à l'onduleur de convertir la fréquence de 50 Hz à 60 Hz (ou de 60 Hz à 50 Hz). Reportez-vous à la section **Choix de la stratégie d'alimentation** pour plus d'informations.

Remarque : la puissance maximale tolérée par le système en modes de régulation/conversion de fréquence est réduite de 30 %.

- Le mode **Bypass (dérivation)** fournit un courant filtré et non régulé à l'équipement connecté.

Caractéristiques de fonctionnement des stratégies d'alimentation et modes de fonctionnement disponibles de l'onduleur

La stratégie d'alimentation configurée pour l'onduleur constitue un cadre de fonctionnement pour le basculement entre divers modes de fonctionnement en fonction des événements d'alimentation et de l'état de l'onduleur. Chaque stratégie d'alimentation propose un ensemble unique de paramètres de fonctionnement appliqués par l'onduleur afin de répondre aux besoins de l'utilisateur en termes de performances ou de rendement. Des options de régulation et de conversion de fréquence supplémentaires sont également disponibles pour les applications avancées. Le tableau ci-dessous indique les modes de fonctionnement disponibles de l'onduleur pour chaque option de stratégie d'alimentation.

MODES DE FONCTIONNEMENT DE L'ONDULEUR L'onduleur bascule automatiquement entre les modes de fonctionnement en fonction de la stratégie d'alimentation configurée, de l'alimentation actuelle et de l'état de l'onduleur.					
		Compatible avec le mode ONLINE	Compatible avec le mode ECONOMY (économique)	Compatible avec le mode BATTERY (batterie)	Compatible avec AUTO-BYPASS (dérivation automatique)
CHOIX DE LA STRATÉGIE D'ALIMENTATION (POWER STRATEGY) Votre choix de stratégie d'alimentation permet à l'onduleur de basculer entre les modes de fonctionnement conformément à la description de ladite stratégie	AUTO-ADAPTIVE L'onduleur fonctionne en MODE ÉCONOMIQUE en permanence après avoir fonctionné en MODE ONLINE sans aucune panne de courant pendant une semaine entière.	OUI. Lorsque la tension en entrée se trouve dans la plage de tension ON-LINE, mais hors de la plage de tension de DÉRIVATION, et après le rétablissement de l'alimentation CA.	OUI. Lorsque l'entrée est comprise dans la plage de tension du MODE ÉCONOMIQUE et qu'aucune panne de courant n'a été détectée pendant une semaine.	OUI.	OUI. En cas de défaillance de l'onduleur lorsque la tension en entrée se trouve dans la plage de tension de DÉRIVATION.
	MAX. QUALITY L'onduleur fonctionne en MODE ONLINE en continu afin de maintenir la meilleure qualité de courant de sortie possible pour les équipements connectés.	OUI. Lorsque l'entrée est comprise dans la plage de tension du mode ONLINE.	NON.	OUI.	OUI. En cas de défaillance de l'onduleur lorsque la tension en entrée se trouve dans la plage de tension de DÉRIVATION.
	MAX. EFFICIENCY L'onduleur fonctionne en MODE ÉCONOMIQUE en permanence lorsque l'entrée est comprise dans la plage de dérivation.	OUI. Lorsque l'entrée est comprise dans la plage de tension du MODE ONLINE, mais hors de la plage de tension de DÉRIVATION.	OUI. Lorsque l'entrée est comprise dans la plage de tension de DÉRIVATION.	OUI.	OUI. En cas de défaillance de l'onduleur lorsque la tension en entrée se trouve dans la plage de tension de DÉRIVATION.
	RÉGULATION DE FRÉQUENCE L'onduleur régule la sortie à +/- 0,05 Hz de la fréquence nominale.	OUI. Lorsque la tension en entrée se trouve dans la plage de tension ON-LINE.*	NON.	OUI.	OUI. En cas de défaillance de l'onduleur lorsque la tension en entrée se trouve dans la plage de tension de DÉRIVATION.
	FREQUENCY CONVERSION to 60Hz L'onduleur convertit l'entrée 50 Hz en 60 Hz. (+/- 0,05 Hz)	OUI. Lorsque la tension en entrée se trouve dans la plage de tension ON-LINE.**	NON.	OUI.	NON.
	FREQUENCY CONVERSION to 50Hz L'onduleur convertit l'entrée 60 Hz en 50 Hz. (+/- 0,05 Hz)	OUI. Lorsque la tension en entrée se trouve dans la plage de tension ON-LINE.**	NON.	OUI.	NON.

* L'écran LCD affiche **FREQUENCY REGULATION (régulation de fréquence)** comme mode de fonctionnement avec les informations de réduction de valeur nominale.

** L'écran LCD affiche **FREQUENCY CONVERSION (conversion de fréquence)** comme mode de fonctionnement avec les informations de réduction de valeur nominale.

Utilisation

Options de configuration et de sélection de l'écran LCD du panneau avant de l'onduleur

MENU PRINCIPAL / SOUS-MENU	OPTIONS D'AFFICHAGE/DE PARAMÉTRAGE	DESCRIPTION D'AFFICHAGE/DE PARAMÉTRAGE
STATUT		
Load Status (État de charge)	<ul style="list-style-type: none"> Niveau de charge (% , kW, kVA, A, PF) Capacité disponible (% , kW, kVA) 	Charge de l'onduleur en pourcentage (%), kilowatts (kW), kilovoltampères (kVA), ampères (A) et facteur de puissance (PF). Capacité disponible de l'onduleur en pourcentage (%), kilowatts (kW) et kilovoltampères (kVA).
In/Out Status (État Entrée/Sortie)	<ul style="list-style-type: none"> Tension et fréquence d'entrée (V CA, Hz) Tension et fréquence de sortie (V CA, Hz) Groupe de charge 1 (On, Off) Groupe de charge 2 (On, Off) 	Affiche des informations sur l'entrée/la sortie de l'onduleur : tension (V CA) et fréquence (Hz) d'entrée/de sortie et informations sur l'état d'alimentation de groupe de sortie (On/Off).
Energy Status (État énergétique)	<ul style="list-style-type: none"> Rendement (%) Puissance moyenne (kw/h) Stratégie d'alimentation configurée 	Affiche le rendement de l'onduleur en pourcentage (%), la consommation horaire des équipements connectés (kw/h) et la stratégie d'alimentation configurée.
Int. Batt. Status (État de la batterie interne)	<ul style="list-style-type: none"> Installation (mm/jj/aaaa) Expiration (mm/jj/aaaa) 	Affiche la date d'installation des batteries de recharge ainsi que la date d'expiration configurée.
Ext. BP. Status (État du bloc-batterie externe)	<ul style="list-style-type: none"> Modèle et numéro de série du bloc-batterie Installation (mm/jj/aaaa) Expiration (mm/jj/aaaa) 	Affiche le numéro de modèle et le numéro de série du bloc-batterie externe (blocs-batteries SMART de Tripp Lite uniquement), la date d'installation et la date d'expiration configurée par l'utilisateur.
Power Flow Chart (Diagramme d'alimentation)	<ul style="list-style-type: none"> Afficher le diagramme opérationnel de l'onduleur 	Affiche le mode de fonctionnement de l'onduleur sous forme de diagramme.
CONTRÔLE		
Start Batt. Test (Démarrage du test de batterie)	<ul style="list-style-type: none"> Démarre un test de batterie manuel 	Démarre un test automatique momentané de la batterie de l'onduleur avec résultat immédiat (Réussite/Échec)
Reset Batt. Age (Réinitialiser l'âge de la batterie)	<ul style="list-style-type: none"> Réinitialise l'âge de la batterie 	Réinitialise l'âge de la batterie à la date d'aujourd'hui. Utilisez cette option uniquement après le remplacement d'une batterie non intelligente.
Reset Fault State (Réinitialiser l'état de défaillance)	<ul style="list-style-type: none"> Réinitialise tous les messages d'état de défaillance 	Utilisez cette option pour effacer les messages de défaillance de l'onduleur.
Auto Batt. Testing (Test automatique de la batterie)	<ul style="list-style-type: none"> Définir l'intervalle de test automatique de la batterie <ul style="list-style-type: none"> Désactivé 4 semaines (réglage d'usine) 13 semaines 26 semaines 	Utilisez cette option pour lancer le test automatique de la batterie de l'onduleur à intervalles réguliers.
JOURNAL D'ÉVÉNEMENTS		
On Batt. Events (Événements d'activation de la batterie)	<ul style="list-style-type: none"> Compteur d'événements (événements d'activation de la batterie de l'onduleur uniquement) Total des minutes (total des minutes de fonctionnement en mode sur batterie) Panne de courant la plus récente (date) Jours avant alerte de remplacement de la batterie (jours) Détails de l'événement (date, heure et description pour les vingt derniers événements inscrits) 	Affiche un résumé de tous les événements d'activation de la batterie lors desquels l'onduleur est passé en mode batterie en réponse à une condition protégée. Les détails d'événements regroupent les vingt derniers événements d'activation de la batterie. Lorsqu'une alerte supplémentaire survient, la plus ancienne est supprimée automatiquement.
All Events (Tous les événements)	<ul style="list-style-type: none"> Compteur d'événements (tous les événements) Événement le plus récent (date) Journal horodaté Détails de l'événement (date, heure et description de chaque événement inscrit) 	Affiche un résumé de tous les événements enregistrés. Les détails d'événements regroupent les vingt derniers événement. Lorsqu'une alerte supplémentaire survient, la plus ancienne est supprimée automatiquement.
Reset Batt. Events (Réinitialiser des événements de la batterie)	<ul style="list-style-type: none"> Réinitialise uniquement les événements d'activation de la batterie 	Réinitialise toutes les données de l'écran des événements d'activation de la batterie.
Reset All Events (Réinitialiser tous les événements)	<ul style="list-style-type: none"> Réinitialise tous les événements 	Réinitialise toutes les données de l'écran des événements.
PARAMÈTRES		
Basic setup (Configuration de base)	Système <ul style="list-style-type: none"> Date actuelle (afficher, régler la date) Heure actuelle (afficher, régler l'heure) Alarme sonore (activer, désactiver) Langue (sélectionner) 	Affiche, définit et réinitialise la date, l'heure, le statut d'alarme sonore et les paramètres de langue. Remarque : Le paramètre DÉSACTIVÉ de l'alarme sonore annule uniquement les alarmes de panne de courant et de défaillance, l'onduleur émettra toujours un « bip » de confirmation d'entrée utilisateur via les boutons de navigation de l'écran LCD du panneau avant.
	Tension de sortie <ul style="list-style-type: none"> 200 208 220 230 240 	Utilisez l'option SETTINGS / BASIC / OUTPUT VOLTAGE (PARAMÈTRES / BASIQUES / TENSION DE SORTIE) pour afficher ou régler la tension de sortie nominale de l'onduleur (cette modification prendra effet après le prochain redémarrage).

Utilisation

MENU PRINCIPAL / SOUS-MENU	OPCIONES DE PANTALLA / CONFIGURACIÓN	DESCRIPCIÓN DE PANTALLA / CONFIGURACIÓN
PARAMÈTRES		
Basic setup (Configuration de base) (suite)	Stratégie d'alimentation : <ul style="list-style-type: none"> • Auto-Adaptative • Rendement maximal (Max-Efficiency) • Qualité maximale (Max-Quality) • Régulation de fréquence • Conversion de fréquence en 60 Hz • Conversion de fréquence en 50 Hz 	Utilisez l'option SETTINGS / BASIC / POWER STRATEGY (PARAMÈTRES / BASIQUES / STRATÉGIE D'ALIMENTATION) afin d'afficher ou de régler la stratégie d'alimentation de l'onduleur. Consultez la section Choix de la stratégie d'alimentation dans la section Utilisation pour plus d'informations sur les options de stratégie d'alimentation disponibles.
	Batterie : <ul style="list-style-type: none"> • Configuration de la batterie externe <ul style="list-style-type: none"> o Configuration par l'intermédiaire de l'onduleur o Configuration par l'intermédiaire d'un PC o Remplacement de la batterie • Alerte d'âge de la batterie 	Utilisez l'option SETTINGS / BASIC / BATTERY (PARAMÈTRES / BASIQUES / BATTERIE) afin de configurer l'onduleur avec des blocs-batteries externes. Les options de remplacement de batterie peuvent être utilisées pour mettre à jour la date d'installation lors du remplacement de batteries externes non intelligentes de même type. Elles permettent également de régler la durée avant le rappel de remplacement de la batterie. Consultez la section Configuration des blocs-batteries externes dans la section Utilisation pour plus d'informations sur la configuration des blocs-batteries externes.
Configuration avancée	Système : <ul style="list-style-type: none"> • Luminosité de l'écran <ul style="list-style-type: none"> o Élevée o Moyenne (par défaut) o Faible • Diminution du rétro-éclairage : Saisissez une valeur entre 10 et 120 secondes (60 secondes par défaut) • Mot de passe : Définissez un mot de passe à quatre chiffres (0000 par défaut) • Réinitialisation d'usine (réinitialise toutes les préférences de l'onduleur aux valeurs par défaut, configurations de batteries incluses) 	Utilisez l'option SETTINGS / ADVANCED / SYSTEM (PARAMÈTRES / AVANCÉS / SYSTÈME) afin de régler la luminosité de l'écran, la durée avant diminution du rétro-éclairage, le mot de passe ou la réinitialisation d'usine.
	Entrée/Sortie : <ul style="list-style-type: none"> • Niveau d'alerte de surcharge : Saisissez une valeur entre 5 et 105 % (100 % par défaut) • Conf. Action en cas de dysfonctionnement (réponse de l'onduleur à une défaillance) <ul style="list-style-type: none"> o Passer en dérivation (BYPASS, réglage d'usine) o Passer en veille (STANDBY) 	Utilisez SETTINGS / ADVANCED / IN-OUT (PARAMÈTRES / AVANCÉS / ENTRÉE-SORTIE) pour ces options : Définit le pourcentage de charge en sortie de l'onduleur avant l'envoi de l'alerte de surcharge. Définit la réponse de l'onduleur aux défaillances qui nécessitent le basculement de l'onduleur hors du mode de double conversion. L'option GO TO BYPASS (passer en dérivation) maintient la sortie CA (tant que la tension d'entrée est comprise dans les limites haute/basse de dérivation). L'option GO TO STANDBY (passer en veille) entraîne la désactivation de la sortie CA en réponse aux défaillances.
	<ul style="list-style-type: none"> • Limite basse de dérivation : Saisissez une valeur entre -5 et -20 % (-15 % par défaut) • Limite haute de dérivation : Saisissez une valeur entre +5 et +20 % (+10 % par défaut) 	Indique la tension d'entrée minimale acceptable pour le fonctionnement en dérivation. Indique la tension d'entrée maximale acceptable pour le fonctionnement en dérivation.
	On/Off : <ul style="list-style-type: none"> • Démarrage à froid <ul style="list-style-type: none"> o Activé (par défaut) o Désactivé • Redémarrage automatique <ul style="list-style-type: none"> o Activé (par défaut) o Désactivé • Délai avant redémarrage automatique <ul style="list-style-type: none"> o Saisissez une valeur entre 0 et 60 secondes (0 secondes par défaut) 	Utilisez SETTINGS / ADVANCED / ON-OFF (PARAMÈTRES / AVANCÉS / ON-OFF) pour ces options : Activer le démarrage à froid permet à l'onduleur d'être allumé en mode batterie manuellement lors d'une panne de courant. Activer le redémarrage automatique permet à l'onduleur de redémarrer automatiquement en mode protégé une fois l'alimentation rétablie. Le délai de redémarrage automatique force l'onduleur à attendre de 0 à 60 secondes après le rétablissement de l'alimentation avant de pouvoir redémarrer automatiquement. Nécessite que le redémarrage automatique soit activé au moment du rétablissement de l'alimentation.
	<ul style="list-style-type: none"> • Économie d'énergie <ul style="list-style-type: none"> o Saisissez une valeur entre 0 et 100 % o Désactivé (par défaut) • Mode Off (désactivé) <ul style="list-style-type: none"> o Veille (Standby) o Dérivation (Bypass, par défaut) • Charge de batterie min. pour le redémarrage <ul style="list-style-type: none"> o Saisissez une valeur de 10 à 90 % o Désactivé (par défaut) 	L'économie d'énergie permet à l'onduleur de s'éteindre automatiquement lorsque la charge en sortie est inférieure au pourcentage sélectionné pendant cinq minutes sans interruption. Le paramètre Dérivation du mode Off permet à l'onduleur de fournir en sortie un courant secteur non régulé compris dans la limite basse/haute de dérivation lorsque l'onduleur est désactivé. Le niveau de charge de batterie minimum pour le redémarrage force l'onduleur à attendre que les batteries soient rechargées au pourcentage sélectionné avant de pouvoir redémarrer automatiquement.

Utilisation

MENU PRINCIPAL / SOUS-MENU	OPCIONES DE PANTALLA / CONFIGURACIÓN	DESCRIPCIÓN DE PANTALLA / CONFIGURACIÓN
PARAMÈTRES		
Configuration avancée (suite)	Sur la batterie : <ul style="list-style-type: none"> • Alerte de faible niveau de charge <ul style="list-style-type: none"> o Saisissez une valeur entre 10 et 90 % (20 % par défaut) • Programmation d'extinction <ul style="list-style-type: none"> o Saisissez 15, 30, 45 secondes, ou de 1 à 30 minutes. o Désactivé (par défaut) • Extinction en cas de batterie faible <ul style="list-style-type: none"> o Saisissez une valeur entre 5 et 100 % o Désactivé (par défaut) • Délai d'avertissement sonore d'activation de batterie <ul style="list-style-type: none"> o Saisissez une valeur entre 0 et 120 secondes (5 secondes par défaut) • Validation d'extinction <ul style="list-style-type: none"> o Requis (par défaut) o Interruption tolérée 	<p>Permet à l'onduleur d'envoyer une alerte de faible niveau de charge des batteries lorsque les batteries atteignent le niveau de charge sélectionné pendant une panne de courant.</p> <p>La programmation d'extinction définit la durée d'alimentation par batterie (en secondes ou minutes) de l'onduleur lors d'une panne de courant. Utilisez le paramètre Désactivé pour une durée de fonctionnement maximale de la batterie.</p> <p>L'extinction en cas de batterie faible définit le niveau de charge de batterie minimum avant extinction de l'onduleur. Le réglage Désactivé permet à la batterie de se décharger intégralement avant extinction.</p> <p>Le paramètre de délai d'avertissement sonore permet de retarder l'alarme sonore jusqu'à 120 secondes afin d'éviter que celle-ci ne se déclenche en réponse à de très courtes pannes de courant.</p> <p>L'onduleur communique un message d'extinction aux systèmes connectés avant de s'éteindre. Le paramètre Interruption tolérée entraînera l'annulation de l'envoi du message d'extinction si l'alimentation est rétablie avant l'envoi de ce dernier.</p>
	Paramètres USB/DB9 : <ul style="list-style-type: none"> • Paramètres DB9 <ul style="list-style-type: none"> o Broches de sortie 1 et 5 <ul style="list-style-type: none"> - Sur batterie (réglage d'usine) - Sur dérivation - Sortie activée - Batterie faible o Broches de sortie 8 et 5 <ul style="list-style-type: none"> - Sur batterie - Sur dérivation - Sortie activée - Batterie faible (réglage d'usine) o Broches d'entrée 3 et 9 <ul style="list-style-type: none"> - Extinction (réglage d'usine) - Sortie désactivée - Redémarrage - Sortie activée - Power Toggle • Perte de signal USB <ul style="list-style-type: none"> o Configuration du mode secteur <ul style="list-style-type: none"> - Aucune action (par défaut) - Redémarrage de l'onduleur après un délai - Redémarrage de la charge 1 après un délai - Redémarrage de la charge 2 après un délai o Configuration du mode batterie <ul style="list-style-type: none"> - Fonctionner jusqu'à atteindre un niveau de charge de batterie faible (par défaut) - Extinction après un délai o Minuterie de perte de signal USB <ul style="list-style-type: none"> - Saisissez une valeur entre 10 et 60 secondes - 30 secondes par défaut 	<p>L'onduleur indique la condition sélectionnée en court-circuitant les broches 1 et 5 sur le port DB9.</p> <p>L'onduleur indique la condition sélectionnée en court-circuitant les broches 8 et 5 sur le port DB9.</p> <p>L'onduleur applique l'action sélectionnée lorsque les broches 3 et 9 sont court-circuitées sur le port DB9 pendant au moins 3,8 secondes.</p> <p>Pour l'option Redémarrage (sortie désactivée pendant 30 secondes avant le redémarrage) : veuillez noter que les broches doivent être court-circuitées pendant au moins 3,8 secondes afin d'effectuer le redémarrage. Le redémarrage survient à exactement 3,8 secondes. Si les broches sont court-circuitées pendant plus de 3,8 secondes, aucune autre action n'est nécessaire. L'onduleur ne réagit pas à la libération du court-circuit.</p> <p>L'option Power Toggle est conçue pour que l'unité reste sous tension lorsque les broches ne sont pas court-circuitées et s'éteigne lorsqu'elles le sont. Remarque : cela ne pourrait en aucun cas permettre de démarrer l'unité à moins qu'un courant CA valide soit appliqué (cette fonction n'impose pas un démarrage à froid). Pour le démarrage, les broches ne doivent pas être court-circuitées pendant au moins 3,8 secondes et le courant CA doit être valide. Pour l'extinction, les broches doivent être court-circuitées pendant au moins 3,8 secondes.</p> <p>L'onduleur appliquera l'action sélectionnée si le signal USB d'un appareil connecté est perdu pour la durée sélectionnée en mode secteur.</p> <p>L'onduleur appliquera l'action sélectionnée si le signal USB d'un appareil connecté est perdu pour la durée sélectionnée en mode batterie.</p> <p>Ce paramètre définit la durée de perte de signal USB avant l'activation du mode d'alimentation (secteur ou batterie) choisi.</p>
À PROPOS		
Informations sur l'onduleur	Numéro de modèle de l'onduleur, numéro de série de l'onduleur, date d'installation de l'onduleur	La date d'installation de l'onduleur est définie automatiquement par l'unité après deux heures de fonctionnement en continu.
Identifiant Réseau	Microprogramme carte auxiliaire de gestion Web, adresse IPv4, adresse IPv6, adresse MAC	
Microprogramme	Microprogramme de l'onduleur	

Configuration des blocs-batteries externes

Les onduleurs SmartOnline INT Tripp Lite permettent le raccordement de blocs-batteries externes afin d'améliorer l'autonomie de l'onduleur. Pour que l'onduleur fournisse un niveau de charge efficace et des prédictions d'autonomie précises (notamment pour l'envoi des messages d'extinction automatique), les blocs-batteries externes doivent être configurés avec l'onduleur après leur installation.

Trois méthodes sont disponibles pour configurer les blocs-batteries externes avec l'onduleur, en fonction du type choisi et du nombre de blocs-batteries raccordés. Certaines configurations de bloc-batterie peuvent nécessiter l'utilisation de plusieurs méthodes de configuration.

Les BATTERIES EXTERNES peuvent être configurées avec l'onduleur...	...AUTOMATIQUEMENT (en utilisant des blocs-batteries SMART)	...MANUELLEMENT (en utilisant l'écran LCD)	...en utilisant le logiciel EXTERNAL BATTERY CONFIGURATION (configuration de batterie externe)
Compatibilité des blocs-batteries	L'onduleur peut détecter automatiquement jusqu'à six blocs-batteries SMART qui lui sont raccordés.	Pour configurer les blocs-batteries NON-SMART ou des blocs-batteries SMART supplémentaires (en plus des six automatiquement détectés par l'onduleur), il est possible d'utiliser l'écran LCD.	Le logiciel EXTERNAL BATTERY CONFIGURATION (configuration de batterie externe) peut également être utilisé afin de configurer l'onduleur avec n'importe quel nombre de blocs-batteries externes SMART et NON-SMART (dans la limite du nombre toléré par l'onduleur).

Les blocs-batteries SMART de Tripp Lite bénéficient d'une connexion de données câblée qui permet la détection et la configuration automatiques de blocs-batteries avec l'onduleur (6 maximum). Les anciens blocs-batteries NON-SMART de Tripp Lite peuvent également être utilisés afin d'améliorer l'autonomie du système, mais doivent être configurés par l'utilisateur via l'écran LCD du panneau avant ou en utilisant le logiciel EXTERNAL BATTERY CONFIGURATION (configuration de batterie externe).

Options de blocs-batteries externes SMART et NON-SMART pour SmartOnline LCD

	SUINT1000LCD2U	SUINT1500LCD2U	SUINT2200LCD2U	SUINT3000LCD2U / SU3000LCD2UHV
Blocs-batteries « SMART » compatibles	BP24V36-2US	BP36V27-2US	BP48V27-2US	BP72V18-2US
Blocs-batteries « NON-SMART » compatibles	BP24V15RT2U (limite 1) BP24V28-2U (limite 1) BP24V70-3U	BP36V15-2U (limite 1) BP36V42-3U	BP48V24-2U (limite 1) BP48V60RT3U	BP72V15 (limite 1) BP72V28RT3U

Configuration de blocs-batteries SMART et NON-SMART par l'intermédiaire de l'écran LCD du panneau avant

Ajout de blocs-batteries SMART à l'onduleur (6 maximum)

Chaque onduleur SmartOnline bénéficie d'un bloc-batterie dédié permettant de raccorder jusqu'à six blocs-batteries SMART qui seront détectés et configurés automatiquement. Les blocs-batteries SMART bénéficient d'une connexion de données câblée raccordée au port de détection de blocs-batteries pour la détection et la configuration automatique par l'onduleur.

Pour configurer l'onduleur et l'utiliser avec six blocs-batteries SMART, raccordez simplement les câbles POWER (alimentation) et DATA (données) entre l'onduleur et le premier bloc-batterie intelligent. Connectez ensuite les câbles POWER et DATA de chaque bloc-batterie intelligent supplémentaire au bloc-batterie intelligent qui le précède. L'onduleur détectera et configurera automatiquement jusqu'à six blocs-batteries SMART.

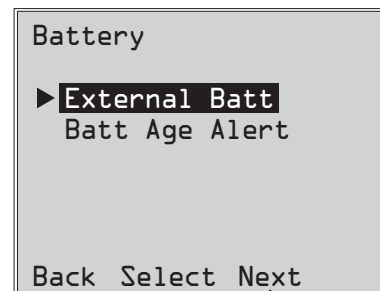
Ajout de plus de six blocs-batteries SMART à l'onduleur

Comme indiqué ci-dessus, les onduleurs SmartOnline peuvent détecter automatiquement jusqu'à six blocs-batteries SMART. Il est cependant possible de configurer l'onduleur de manière à utiliser plus de six blocs-batteries SMART, en configurant les blocs-batteries SMART supplémentaires comme des blocs-batteries NON-SMART. Lors de la configuration de l'onduleur avec plus six blocs-batteries SMART, configurez les blocs-batteries 1 à 6 en utilisant la méthode du port de détection de blocs-batteries décrite plus haut. Configurez ensuite le bloc-batterie intelligent 7 et tous les blocs-batteries SMART ou NON-SMART supplémentaires en tant que blocs-batteries NON-SMART. Consultez la section Ajout de blocs-batteries NON-SMART pour plus d'informations.

Ajout manuel de blocs-batteries à l'onduleur (blocs-batteries SMART et NON-SMART)

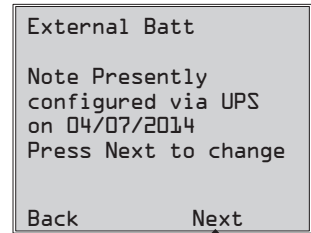
Si vous raccordez plus de six blocs-batteries SMART ou que vous raccordez des blocs-batteries NON-SMART compatibles à l'onduleur, vous pouvez les configurer par l'intermédiaire de l'interface LCD du panneau avant de l'onduleur. Commencez par raccorder les câbles du bloc-batterie à l'onduleur conformément aux instructions du manuel du bloc-batterie. Puis, en utilisant l'écran de configuration SETTINGS / BASIC SETTINGS / BATTERY (PARAMÈTRES / BASIQUES / BATTERIE), sélectionnez l'option EXTERNAL BATT (BATTERIE EXTERNE, voir les sections **Fonctions des boutons du panneau avant** et **Options de configuration et de sélection de l'écran LCD du panneau avant** dans la section **Utilisation** pour obtenir des instructions permettant d'accéder à cette section).

1 Depuis le menu SETTINGS / BASIC SETTINGS / BATTERY (PARAMÈTRES / BASIQUES / BATTERIE), sélectionnez EXTERNAL BATT (BATTERIE EXTERNE), puis appuyez sur NEXT (SUIVANT) .

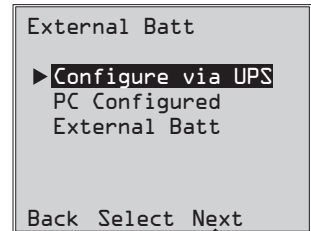


Utilisation

- 2** L'écran LCD affichera les paramètres de configuration actuels. Appuyez sur NEXT (SUIVANT) \ominus pour modifier la configuration.



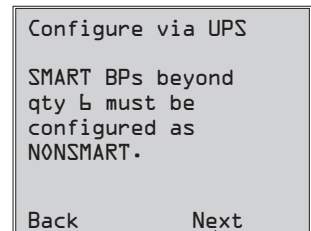
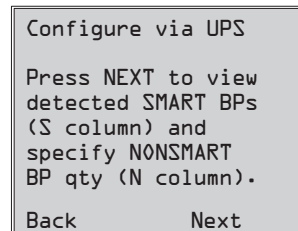
- 3** Sélectionnez ensuite CONFIGURE VIA UPS (CONFIGURER AVEC L'ONDULEUR) et appuyez sur NEXT (SUIVANT) \ominus .



- 4** L'écran LCD vous invitera à passer à l'écran suivant qui permet de configurer les blocs-batteries SMART et NON-SMART.

Appuyez ensuite sur NEXT (SUIVANT) \ominus ...

Remarque : L'affichage alternera entre deux pages afin de pouvoir afficher l'intégralité du texte.



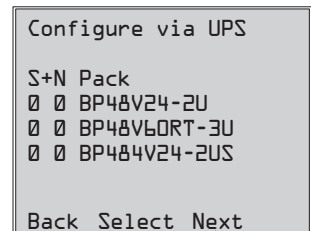
- 5** L'écran LCD affiche la liste des blocs-batteries externes compatibles précédée d'une colonne indiquant le nombre de blocs-batteries externes SMART et NON-SMART configurés. Les blocs-batteries SMART détectés par le port de détection de blocs-batteries seront déjà listés avec la quantité appropriée (de 1 à 6) dans la colonne S de cet écran.

Pour configurer des batteries non-intelligentes ou des batteries intelligentes supplémentaires (au delà des six détectées automatiquement), utilisez les boutons HAUT/BAS \triangle / ∇ et NEXT (SUIVANT) \ominus . Une fois le dernier bloc-batterie de la liste configuré, appuyez sur BACK ESC (RETOUR) ESC pour modifier votre saisie ou APPLY (APPLIQUER) \ominus pour valider les nouvelles valeurs.

Remarque : La colonne « S » indique le nombre de blocs-batteries SMART configurés et la colonne « N » indique le nombre de blocs-batteries NON-SMART configurés.

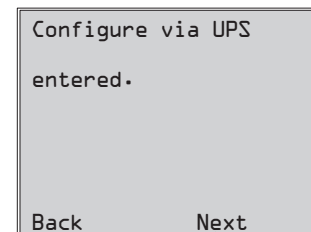
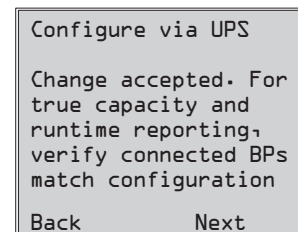
Remarque : Appuyer sur les boutons HAUT ou BAS modifie la valeur de la colonne « N ». Appuyer sur le bouton NEXT (SUIVANT) déplace le curseur d'une ligne vers le bas.

Remarque : une fois la dernière ligne atteinte, le bouton NEXT (SUIVANT) se change en bouton APPLY (APPLIQUER).



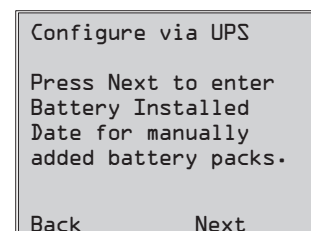
- 6** Une fois que les blocs-batteries NON-SMART entrés manuellement ont été appliqués à l'onduleur, l'écran LCD indique que la modification a été acceptée et vous invite à vérifier que l'ensemble de blocs-batteries externes correspond bien à la configuration saisie dans l'onduleur.

Appuyez sur NEXT (SUIVANT) \ominus pour passer à l'écran suivant.



- 7** L'écran LCD vous demandera alors d'appuyer sur NEXT (SUIVANT) \ominus afin de saisir la date d'installation des blocs-batteries externes configurés manuellement.

L'écran suivant vous permet de choisir la date du jour pour l'installation, ou de saisir une date d'installation passée si le bloc-batterie a été installé à une date antérieure.



Connexions facultatives

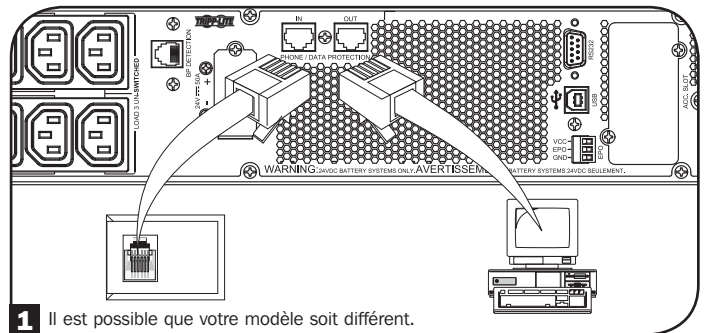
Votre onduleur fonctionnera correctement si ces connexions ne sont pas effectuées.

1 Parasurtenseur pour ligne téléphonique ou ligne réseau

Votre onduleur dispose de connecteurs qui protègent des surtensions sur une ligne téléphonique.* En utilisant des câbles téléphoniques ou des câbles réseau adaptés, raccordez votre prise murale à l'entrée « IN ». Raccordez ensuite votre équipement à la sortie « OUT ». Vérifiez bien que l'équipement que vous raccordez à l'onduleur est également protégé contre les surtensions sur la ligne CA.

* Incompatible avec les applications PoE (Power Over Ethernet / alimentation via Ethernet).

Remarque : utilisez le même type de connecteur pour les ports d'entrée/sortie de parasurtension pour ligne téléphonique.

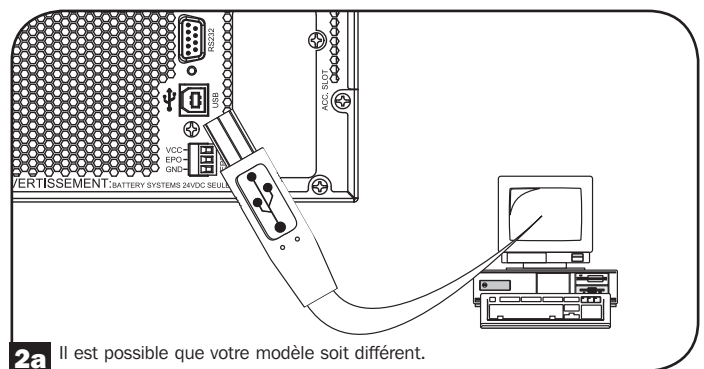


1 Il est possible que votre modèle soit différent.

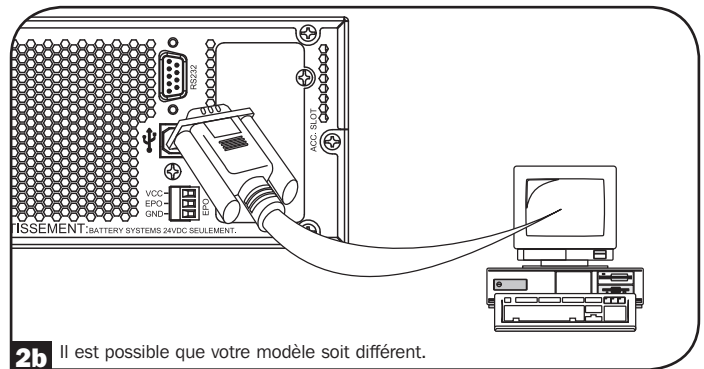
2 Communications USB et série RS-232

Utilisez le câble USB fourni (voir 2a) et/ou le câble série RS-232 (voir 2b) afin de connecter le port de communication de votre ordinateur au port de communication de l'onduleur. Installez le logiciel PowerAlert de Tripp Lite correspondant à votre système d'exploitation. Votre onduleur peut disposer de ports de communication supplémentaires qu'il est possible de connecter à d'autres ordinateurs sur lesquels le logiciel PowerAlert est installé. Consultez le manuel du logiciel PowerAlert pour plus d'informations.

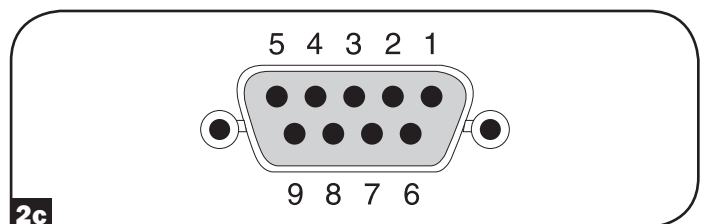
2c La communication par contact sec RS-232 est simple, mais des connaissances en électronique sont nécessaires pour la configuration. L'affectation des broches du port RS-232 est illustrée sur le diagramme. Si le niveau de charge de l'onduleur est faible, celui-ci envoie un signal en créant un pont entre les broches 1 et 5. Si l'alimentation secteur est interrompue, l'onduleur envoie un signal en créant un pont entre les broches 8 et 5. Il est possible, pour éteindre l'onduleur à distance, de court-circuiter les broches 3 et 9 pendant au moins 3,8 secondes. Des fonctions supplémentaires peuvent être configurées pour ces broches par l'intermédiaire de l'écran LCD ou par communication via carte auxiliaire de gestion Web.



2a Il est possible que votre modèle soit différent.



2b Il est possible que votre modèle soit différent.



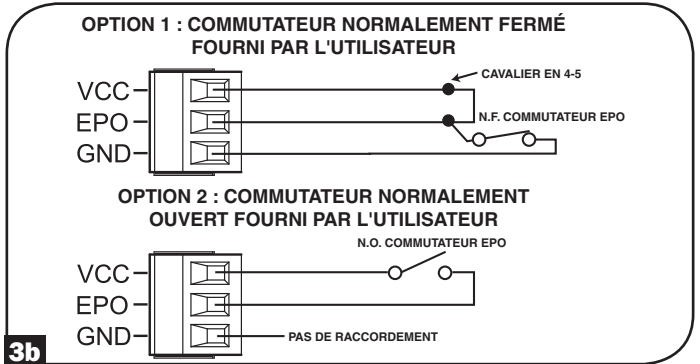
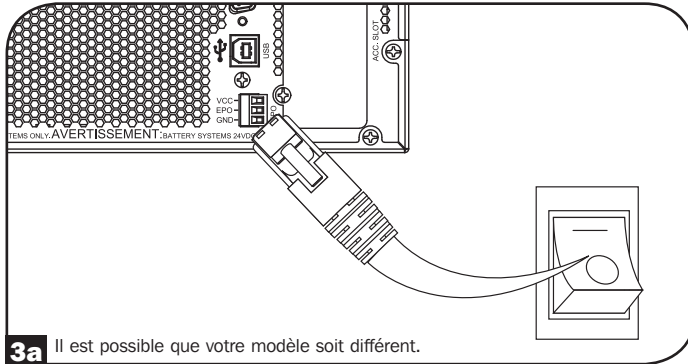
2c

Connexions facultatives

3 Connexion du port EPO (Arrêt d'urgence)

Cette fonctionnalité en option n'est destinée qu'aux applications nécessitant un raccordement au circuit d'arrêt d'urgence (EPO, Emergency Power Off) de l'installation. Lorsque l'onduleur est raccordé à ce circuit, l'arrêt d'urgence de l'onduleur a lieu et le basculement en dérivation interne est empêché. Connectez le port EPO de votre onduleur (voir **3a**) à un commutateur (non fourni) normalement ouvert ou normalement fermé en fonction du diagramme du circuit (voir **3b**).

Remarque : Si un commutateur EPO sans verrouillage est utilisé, il doit être maintenu enfoncé pendant une seconde minimum. Cela ne s'applique pas aux commutateurs EPO à verrouillage.



État de l'onduleur lors de l'activation de l'arrêt d'urgence avec un courant CA entrant valide :

Sortie CA	État de l'écran LCD	État des voyants LED
Éteint	Arrêt d'urgence actif	Seul le voyant d'entrée CA est illuminé.

Pour redémarrer l'onduleur après un arrêt d'urgence avec un courant CA entrant valide :

1. Vérifiez que l'arrêt d'urgence est bien terminé.
2. Maintenez enfoncé le bouton POWER ON/OFF jusqu'à ce que vous entendiez un avertissement sonore. L'onduleur redémarrera alors en utilisant l'un des modes de fonctionnement normaux préconfigurés.

État de l'onduleur lors de l'activation de l'arrêt d'urgence sans courant CA entrant valide (mode batterie) :

Sortie CA	État de l'écran LCD	État des voyants LED
Éteint	Arrêt d'urgence actif	Éteint

Pour redémarrer l'onduleur après un arrêt d'urgence sans courant CA entrant valide :

1. Vérifiez que l'arrêt d'urgence est bien terminé.
2. Attendez jusqu'à ce que l'écran LCD s'éteigne totalement.
3. Maintenez enfoncé le bouton POWER ON/OFF jusqu'à ce que vous entendiez un avertissement sonore. L'onduleur redémarrera alors en mode BATTERY (batterie).

Pour redémarrer l'onduleur après un arrêt d'urgence avec un courant CA entrant valide :

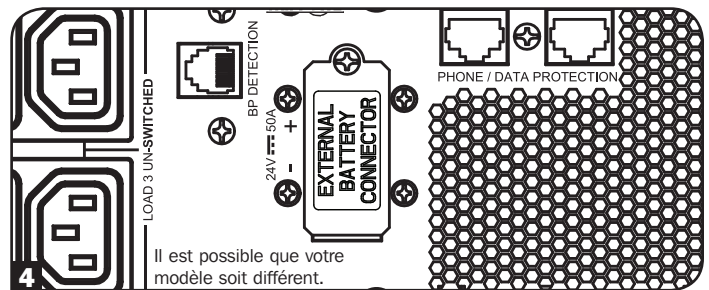
1. Vérifiez que l'arrêt d'urgence est bien terminé.
2. Attendez jusqu'à ce que l'écran LCD s'éteigne totalement.
3. Reconnectez l'alimentation CA puis maintenez enfoncé le bouton POWER ON/OFF jusqu'à ce que vous entendiez un avertissement sonore. L'onduleur redémarrera alors en utilisant l'un des modes de fonctionnement normaux préconfigurés.

Remarque : si l'alimentation CA est reconnectée avant que l'écran LCD ne s'éteigne totalement, l'onduleur redémarrera automatiquement dans un des modes de fonctionnement normaux préconfigurés sans que le bouton POWER ON/OFF ne soit utilisé.

Connexions facultatives

4 Raccordement de batterie externe

Vérifiez la section **Accessoires spécifiques à certains modèles** dans **Présentation** afin de connaître les modèles de blocs-batteries compatibles et les quantités maximales tolérées par votre onduleur. Vérifiez que votre bloc-batterie correspond bien à la tension indiquée sur le connecteur de batterie de votre onduleur. L'ajout de batteries externes augmente le temps de rechargement et l'autonomie. Consultez le manuel du bloc-batterie pour obtenir les instructions d'installation et de configuration complètes. Vérifiez que les câbles sont complètement insérés dans leurs connecteurs respectifs. Il est possible que quelques étincelles jaillissent au moment du raccordement de la batterie, cela est tout à fait normal. Ne branchez ni ne débranchez jamais de bloc-batterie pendant que l'onduleur fonctionne sur batterie.



IMPORTANT ! Pour que les prédictions d'autonomie présentées sur l'écran LCD et sur les écrans d'information du logiciel soient précises lorsque vous utilisez des blocs-batteries externes, vous devez configurer tous les blocs-batteries connectés en utilisant l'écran LCD du panneau avant ou le logiciel External Battery Configuration de Tripp Lite. Consultez la section Configuration des blocs-batteries externes dans Utilisation.

AVERTISSEMENT : N'ouvrez ni ne mutilez jamais des batteries. Les substances dégagées sont nocives pour la peau et les yeux. Elles peuvent également être toxiques. Les précautions suivantes doivent être respectées lors du travail avec des batteries. Vérifiez que la batterie n'est pas reliée à la terre par erreur. Si c'est le cas, éliminez la connexion à la terre. Entrer en contact avec une batterie reliée à la terre peut entraîner un choc électrique. La probabilité d'un tel choc peut être réduite si les connexions à la terre sont éliminées à l'installation et pendant la maintenance. (Cela s'applique aux équipements et aux batteries distantes qui ne bénéficient pas d'un circuit d'alimentation avec connexion à la terre.)

Dépannage et journal d'événements

Consultez le graphique ci-dessous pour obtenir des explications sur les défaillances et avertissements de l'onduleur que vous pouvez consulter grâce à la fonctionnalité de Journal d'événements par l'intermédiaire de l'écran LCD ou du logiciel PowerAlert, et pour trouver des suggestions de solution pour chaque défaillance/avertissement.

Défaillance/ Alarme	Message d'en-tête sur l'écran LCD	Message sur l'écran LCD	Affichage du Journal d'événements sur l'écran LCD (type d'événement avec horodatage)	Défaillance ou alarme ?	Commentaires supplémentaires
Erreurs/défaillances internes de l'onduleur :					
Tension de démarrage BUS faible	Inverter Error 1 (Erreur d'onduleur 1)	Erreur de l'onduleur. Redémarrez l'onduleur. Si le problème persiste, contactez Tripp Lite.	mm/jj/aaaa Inv Err 1 hh:mm	Défaillance de l'onduleur	
Surtension du bus	Inverter Error 2 (Erreur d'onduleur 2)	Erreur de l'onduleur. Redémarrez l'onduleur. Si le problème persiste, contactez Tripp Lite.	mm/jj/aaaa Inv Err 2 hh:mm	Défaillance de l'onduleur	
Sous-tension du bus	Inverter Error 3 (Erreur d'onduleur 3)	Erreur de l'onduleur. Redémarrez l'onduleur. Si le problème persiste, contactez Tripp Lite.	mm/jj/aaaa Inv Err 3 hh:mm	Défaillance de l'onduleur	
Déséquilibre de tension du bus	Inverter Error 4 (Erreur d'onduleur 4)	Erreur de l'onduleur. Redémarrez l'onduleur. Si le problème persiste, contactez Tripp Lite.	mm/jj/aaaa Inv Err 4 hh:mm	Défaillance de l'onduleur	
Échec de démarrage graduel de l'onduleur	Inverter Error 5 (Erreur d'onduleur 5)	Erreur de l'onduleur. Redémarrez l'onduleur. Si le problème persiste, contactez Tripp Lite.	mm/jj/aaaa Inv Err 5 hh:mm	Défaillance de l'onduleur	
Surtension de l'onduleur	Inverter Error 6 (Erreur d'onduleur 6)	Erreur de l'onduleur. Redémarrez l'onduleur. Si le problème persiste, contactez Tripp Lite.	mm/jj/aaaa Inv Err 6 hh:mm	Défaillance de l'onduleur	
Sous-tension de l'onduleur	Inverter Error 7 (Erreur d'onduleur 7)	Erreur de l'onduleur. Redémarrez l'onduleur. Si le problème persiste, contactez Tripp Lite.	mm/jj/aaaa Inv Err 7 hh:mm	Défaillance de l'onduleur	
Court-circuit de l'onduleur	Inverter Error 8 (Erreur d'onduleur 8)	Court-circuit de la sortie de l'onduleur. Éliminez le court-circuit en sortie de l'onduleur.	mm/jj/aaaa Inv Err 8 hh:mm	Défaillance de l'onduleur	
Erreurs/défaillances liées à la batterie/au chargeur :					
Défaillance du chargeur	Charger Failure (Défaillance du chargeur)	Si le problème persiste, contactez Tripp Lite.	mm/jj/aaaa Chrg Err 1 hh:mm	Avertissement	Le chargeur ne fonctionne pas. Pas de courant de charge.
Surcharge	Over Charge (Surcharge)	Si le problème persiste, contactez Tripp Lite.	mm/jj/aaaa Chrg Err 2 hh:mm	Avertissement	Le chargeur fonctionne mais la tension de charge est trop élevée.
Surtension de la batterie	Batt. Over Voltage (Surtension de la batterie)	Vérifiez le type de batterie utilisé. Si le problème persiste, contactez Tripp Lite.	mm/jj/aaaa Batt Err 1 hh:mm Remarque : si l'onduleur s'arrête après le problème de batterie « Batt Err 1 », un autre événement « Batt Err 1 SD » est également inscrit dans le journal d'événements.	Défaillance de l'onduleur	
Sous-tension de la batterie	Batt. Under Voltage (Sous-tension de la batterie)	Vérifiez le type de batterie utilisé. Si le problème persiste, contactez Tripp Lite.	mm/jj/aaaa Batt Err 2 hh:mm Remarque : si l'onduleur s'arrête après le problème de batterie « Batt Err 2 », un autre événement « Batt Err 2 SD » est également inscrit dans le journal d'événements.	Défaillance de l'onduleur	
Batterie défectueuse	Bad Battery (Batterie défectueuse)	Redémarrez l'onduleur. Si le problème persiste, contactez Tripp Lite.	mm/jj/aaaa Batt Err 3 hh:mm Remarque : si l'onduleur s'arrête après le problème de batterie « Batt Err 3 », un autre événement « Batt Err 3 SD » est également inscrit dans le journal d'événements.	Avertissement	
Batterie faible	Low Battery (Batterie faible)	Enregistrez vos données avant l'extinction de l'onduleur.	mm/jj/aaaa Low Batt hh:mm Remarque : si l'onduleur s'arrête après le problème de batterie « Low Batt », un autre événement « Low Batt SD » est également inscrit dans le journal d'événements.	Avertissement	
Alerte d'âge de la batterie interne	Battery-Age Alert (Alerte d'âge de la batterie)	Il est peut-être nécessaire de remplacer la batterie interne.	mm/jj/aaaa Batt Alert 1 hh:mm	Avertissement	
Alerte d'âge de batterie intelligente externe	Battery-Age Alert (Alerte d'âge de la batterie)	Il est peut-être nécessaire de remplacer la batterie intelligente externe : {Numérodésérie}.	mm/jj/aaaa Batt Alert 2 hh:mm	Avertissement	
Alerte d'âge de batterie non-intelligente externe	Battery-Age Alert (Alerte d'âge de la batterie)	Il est peut-être nécessaire de remplacer la batterie externe.	mm/jj/aaaa Batt Alert 3 hh:mm	Avertissement	
Changement batteries intelligentes	Smart Batt Changed (Changement batteries intelligentes)	Le nombre de blocs-batteries SMART a été modifié le mois/date/année à hr: min. L'autonomie a été mise à jour. Si ce changement est inattendu, vérifiez la communication avec les batteries intelligentes.	mm/jj/aaaa S BP Changed hh:mm	Avertissement	

Dépannage et journal d'événements

Défaillance/ Alarme	Message d'en-tête sur l'écran LCD	Message sur l'écran LCD	Affichage du Journal d'événements sur l'écran LCD (type d'événement avec horodatage)	Défaillance ou alarme ?	Commentaires supplémentaires
Erreurs/défaillances liées à la charge/la température :					
Défaillance de surchauffe	Over Temp Fault (Défaillance de surchauffe)	Vérifiez l'aération et le ventilateur de l'onduleur. Si le problème persiste, contactez Tripp Lite.	mm/jj/aaaa OverTempFault hh:mm Remarque : mm/jj/aaaa OverTemp SD hh:mm est également enregistré lorsque l'unité s'éteint après être passée en mode de défaillance.	Défaillance de l'onduleur	Lorsque le seuil de surchauffe est atteint, l'événement OverTempFault est déclenché et, si le courant CA est disponible et en fonction du paramétrage du mode de défaillance, l'unité passera en mode bypass (dérivation) ou en mode standby (veille). Si le courant CA n'est pas disponible, l'unité passe en mode de défaillance et désactive sa sortie avant de s'éteindre.
Surchauffe (avertissement uniquement)	Over Temp (Surchauffe)	Vérifiez l'aération et le ventilateur de l'onduleur. Si le problème persiste, contactez Tripp Lite.	mm/jj/aaaa OverTempAlert hh:mm	Avertissement	Il s'agit uniquement d'un seuil d'avertissement. L'unité n'effectue aucune action suite à cet événement, à l'exception de l'affichage et de l'enregistrement de l'avertissement.
Défaillance de surcharge	Overload (Surcharge)	Réduisez la charge connectée. Redémarrez l'onduleur.	mm/jj/aaaa Overload hh:mm (mm/jj/aaaa Overload SD hh:mm est également enregistré lorsque l'unité s'éteint après être passée en mode de défaillance)	Défaillance de l'onduleur	Lorsque le seuil de surcharge se déclenche, l'événement Overload est enregistré et, si le courant CA est disponible et en fonction du paramétrage du mode de défaillance, l'unité passera en mode bypass (dérivation) ou en mode standby (veille). Si le courant CA n'est pas disponible, l'unité passe en mode de défaillance et désactive sa sortie avant de s'éteindre. L'onduleur ne s'éteindra pas volontairement en raison d'une surcharge dans ce mode, indépendamment de la charge. Remarque : il est possible que le disjoncteur se déclenche en réaction à la surcharge.
Avertissement de surcharge	Overload Alarm (Alarme de surcharge)	Réduisez la charge connectée.	mm/jj/aaaa Overload ALM hh:mm	Avertissement	L'avertissement de surcharge se déclenche lorsque la charge est comprise entre 100 et 105 % ou lorsque la charge atteint le seuil d'avertissement de surcharge préconfiguré.
Autres avertissements :					
Arrêt d'urgence actif	EPO Active (Arrêt d'urgence actif)	Vérifiez le commutateur d'arrêt d'urgence (EPO). Si le problème persiste, contactez Tripp Lite.	mm/jj/aaaa EPO SD hh:mm	Avertissement	
Hors plage de dérivation	Bypass Range Error (Erreur de plage de dérivation)	Vérifiez la tension et la fréquence de l'entrée CA Si le problème persiste, contactez Tripp Lite.	mm/jj/aaaa Bypass Err 1 hh:mm	Avertissement	Il est possible que la tension de l'entrée CA soit comprise dans la plage de dérivation préconfigurée. Consultez la section Utilisation pour plus d'informations.
Fréquence de dérivation instable	Bypass Freq. Error (Erreur de fréquence de dérivation)	Vérifiez la fréquence de l'entrée CA Si le problème persiste, contactez Tripp Lite.	mm/jj/aaaa Bypass Err 2 hh:mm	Avertissement	
Sur la batterie	N/A	N/A	mm/jj/aaaa On Batt hh:mm Remarque : si l'onduleur s'éteint en mode batterie suite à l'expiration d'un délai préconfiguré, « On Battery » sera remplacé par « Timed SD » et enregistré en tant qu'événement nouveau.	Normal	
Défaillance CA	N/A	N/A	mm/jj/aaaa AC Failure hh:mm Remarque : si un courant CA valide est rétabli, « On Utility » est enregistré en tant qu'autre événement.	Normal	

Remplacement de la batterie interne

Trappe de remplacement de batterie : dans des conditions normales, la batterie d'origine de votre onduleur durera plusieurs années. Le remplacement de la batterie ne doit être effectué que par du personnel d'entretien qualifié. Consultez « Avertissements concernant les batteries » dans la section Sécurité. Si vous avez besoin d'une batterie de rechange, vous en trouverez sur www.tripplite.com/support/battery/index.cfm. Consultez le tableau ci-dessous pour trouver la bonne batterie de rechange pour votre onduleur :

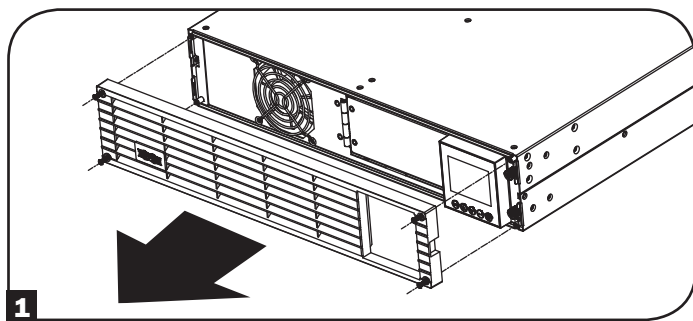
Modèle d'onduleur	Batterie de rechange
SUINT1000LCD2U	RBC24S
SUINT1500LCD2U	RBC36S
SUINT2200LCD2U	RBC48S
SUINT3000LCD2U / SU3000LCD2UHV	RBC72S

Consultez les diagrammes suivants pour connaître les procédures de retrait et d'installation.

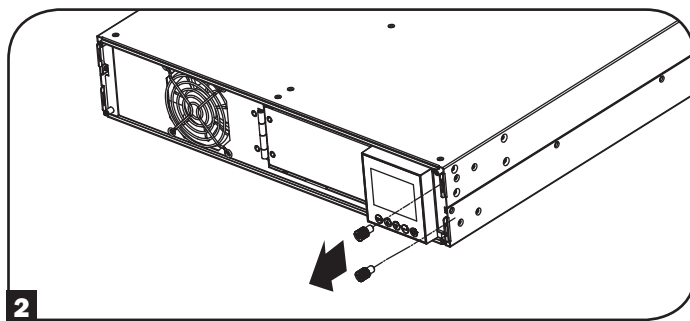
Tous les modèles

Remarque : l'illustration représente le SUINT1000LCD2U mais la procédure est identique pour toutes les autres unités.

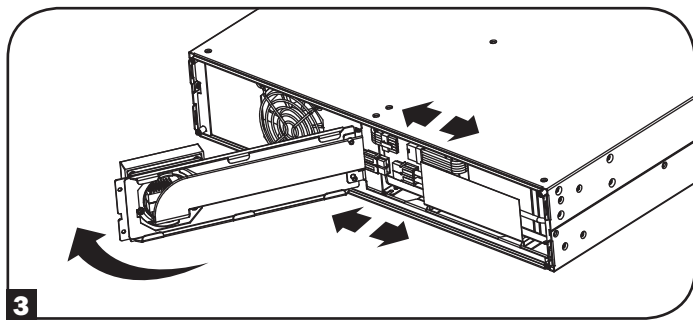
1 Retirez les quatre vis avant du panneau avant et retirez-le.



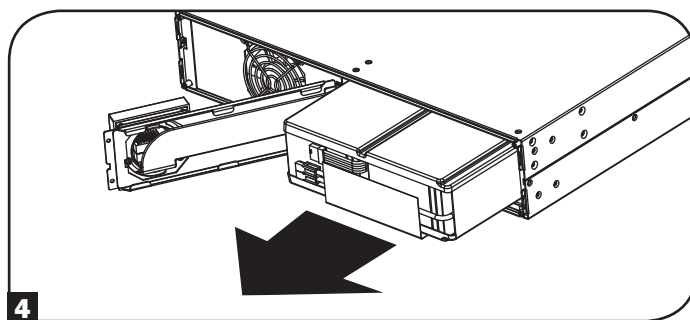
2 Desserrez les deux vis qui maintiennent la plaque avant.



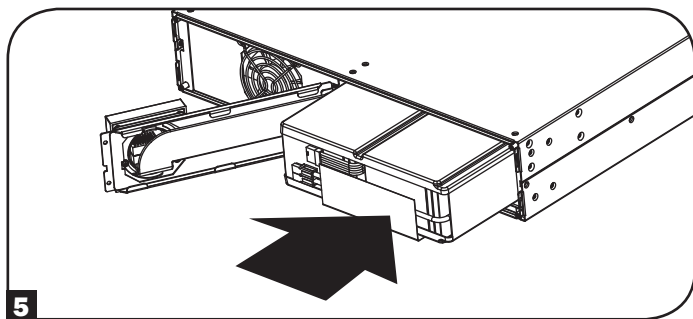
3 Ouvrez la plaque avant. Débranchez le câble d'alimentation et le câble de communication de la batterie.



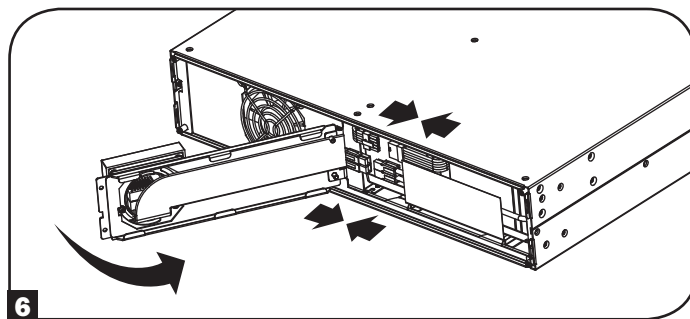
4 Retirez l'ancien bloc-batterie.



5 Installez le nouveau bloc-batterie dans l'onduleur au même emplacement que le bloc-batterie d'origine.

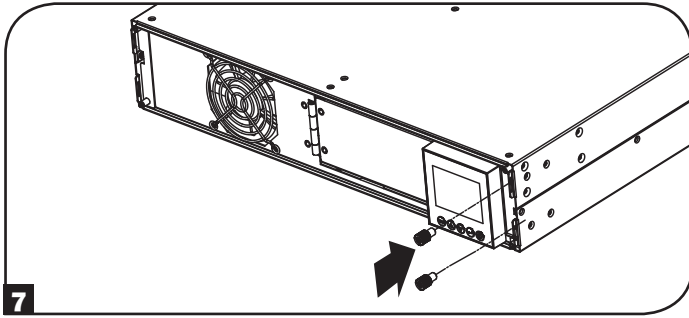


6 Rebranchez le câble d'alimentation et le câble de communication de la batterie. Fermez la plaque avant.

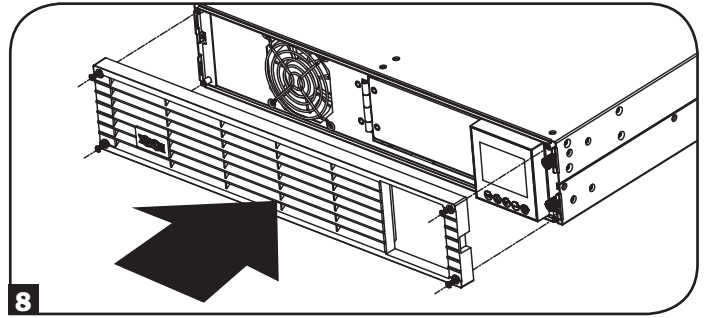


Remplacement de la batterie interne

7 Resserrez les deux vis pour fixer la plaque avant.



8 Remplacez les quatre vis avant du panneau avant afin de le fixer.



Stockage et entretien

Stockage

Commencez par désactiver votre onduleur (OFF) : appuyez sur le bouton « OFF » pour désactiver l'alimentation par les prises de sortie de l'onduleur, puis débranchez le câble d'alimentation de la prise murale. Débranchez ensuite tous les équipements pour éviter l'épuisement de la batterie. Si vous prévoyez de stocker votre onduleur pour une période prolongée, rechargez intégralement les batteries une fois tous les trois mois en branchant l'onduleur sur une prise CA et en le laissant charger pendant 4 à 6 heures. Si les batteries de votre onduleur restent déchargées trop longtemps, elles peuvent subir une perte permanente de capacité.

Entretien

Une variété de garantie prolongées et de programmes de service sur place sont également disponibles chez Tripp Lite. Pour plus de renseignements sur le service, visitez www.tripplite.com/support. Avant de retourner votre produit pour entretien ou réparation, suivez les étapes suivantes :

1. Relisez les directives d'installation et de fonctionnement de ce manuel afin de vous assurer que le problème n'a pas pour origine une mauvaise lecture des directives.
2. Si le problème persiste, ne pas communiquer ou renvoyer le produit au vendeur. À la place, visitez www.tripplite.com/support.
3. Si le problème nécessite une réparation, visitez www.tripplite.com/support et cliquez sur le lien Product Returns (retour du produit). De cet endroit, vous pouvez demander un numéro d'autorisation de retour de matériel (RMA) qui est exigé pour une réparation. Ce formulaire en ligne simple vous demandera le numéro de modèle et le numéro de série de votre unité ainsi que d'autres renseignements généraux concernant l'acheteur. Le numéro RMA, ainsi que les instructions concernant le transport vous seront acheminées par courriel. Tout dommage (direct, indirect, spécial ou fortuit) survenu au produit pendant le transport à Tripp Lite ou à un centre de service autorisé Tripp Lite est exclu de la garanti. Les produits expédiés à Tripp Lite ou à un centre de service autorisé doivent être prépayés. Inscrire le numéro RMA sur le paquet. Si le produit est encore couvert par la garantie de deux ans, joindre une copie de votre facture d'achat. Retourner le produit pour réparation par un transporteur assuré à l'adresse qui vous a été donnée lorsque vous avez demandé le RMA.

Conformité aux règlements

Numéros d'identification de conformité aux règlements

À des fins de certification et d'identification de conformité aux règlements, votre produit Tripp Lite a reçu un numéro de série unique. Ce numéro se retrouve sur la plaque signalétique du produit, avec les inscriptions et informations d'approbation requises. Lors d'une demande d'information de conformité pour ce produit, utilisez toujours le numéro de série. Il ne doit pas être confondu avec le nom de la marque ou le numéro de modèle du produit.

Caractéristiques EMC pour les modèles avec approbation EMC de catégorie C2 (certains modèles) :

AVERTISSEMENT : Ce produit est un onduleur de catégorie C2. Dans un environnement résidentiel, ce produit peut entraîner des interférences radio, et des mesures supplémentaires doivent donc être prises pour parer à cette éventualité.

L'information de conformité WEEE pour les clients de Tripp Lite et recycleurs (Union européenne)



Sous les directives et règlements de déchet d'équipements électrique et électronique (Waste Electrical and Electronic Equipment, WEEE), lorsque les clients achètent le matériel électrique et électronique neuf de Tripp Lite ils sont autorisés à :

- Envoyer le vieux matériel pour le recyclage sur une base de un-contre-un et en nature (ceci varie selon le pays)
- Renvoyer le matériel neuf pour recyclage quand ceci devient éventuellement un rebut

Recyclage de l'onduleur et des batteries



Veillez recycler les produits Tripp Lite. Les batteries utilisées dans les produits Tripp Lite sont des batteries au plomb scellées. Ces batteries sont hautement recyclables. Se reporter aux codes locaux pour les exigences en ce qui a trait à l'élimination.

Vous pouvez appeler Tripp Lite pour des informations concernant le recyclage au +1.773.869.1234.

Pb

Vous pouvez vous rendre sur le site Web de Tripp Lite pour des informations actualisées sur le recyclage des batteries et des produits Tripp Lite. Veuillez suivre ce lien : <http://www.tripplite.com/support/recycling-program/>

La politique de Tripp Lite en est une d'amélioration continue. Les spécifications sont sujettes à changement sans préavis.



1111 W. 35th Street, Chicago, IL 60609 USA • www.tripplite.com/support

Руководство пользователя

SmartOnline®

Однофазные стоечные онлайн-ИБП серии со встроенным ЖК-экраном для контроля и управления

Не предназначены для мобильных систем.

SUINT1000LCD2U (Серийный номер: AGPS8294) SUINT1500LCD2U (Серийный номер: AGPS8295) SUINT2200LCD2U (Серийный номер: AGPS7958) SUINT3000LCD2U (Серийный номер: AGPS7959) SU3000LCD2UHV (Серийный номер: AGPS8296)

1. Краткое описание	80	7. Эксплуатация	88
Спецификация	80	ЖК-дисплей и элементы управления передней панели	88
Дополнительные комплектующие	80	Функции кнопок передней панели	89
Комплектующие для конкретных моделей	80	Вид начального экрана	89
2. Важные указания по технике безопасности	80	Варианты выбора режимов питания	90
3. Электрическая блок-схема ИБП	81	Варианты выбора и конфигурации с использованием ЖК-дисплея на передней панели ИБП	90
4. Установка	82	Настройка внешнего блока аккумуляторных батарей	95
Монтаж в стойку	82	8. Разъемы для подключения опциональных элементов	97
Вертикальный монтаж	83	9. Выявление и устранение неисправностей и журнал событий	100
5. Подключение к основным элементам и начальный запуск	84	10. Замена внутренних батарей	102
Краткое руководство пользователя	84	11. Хранение и техническое обслуживание	103
6. Возможности	86	12. соответствии нормативным требованиям	104
Элементы управления передней панели, светодиодные индикаторы и ЖК-экран	86	English	1
Функциональные элементы задней панели	86	Español	27
		Français	53
		Deutsch	105



ПРИМЕЧАНИЕ. Внешние блоки аккумуляторных батарей требуют настройки с использованием ЖК-интерфейса передней панели или при помощи предлагаемого компанией Tripp Lite программного обеспечения НАСТРОЙКИ ВНЕШНИХ БАТАРЕЙ.



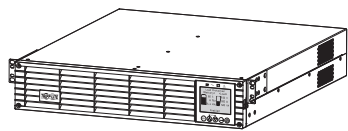
1111 W. 35th Street, Chicago, IL 60609 USA • www.tripplite.com/support

Охраняется авторским правом © 2016 Tripp Lite. Перепечатка запрещается. SmartOnline® является торговым знаком компании Tripp Lite. Для получения последних обновлений приглашаем вас посетить наш сайт www.tripplite.com

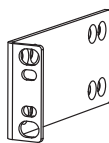
Краткое описание

Стеочные ИБП Tripp Lite SmartOnline с интерактивным ЖК-интерфейсом обеспечивают защиту в режиме онлайн с двойным преобразованием при непрерывной поддержке выходного напряжения чистой синусоидальной формы и нулевого времени переключения, а также пригодны для расширенных прикладных задач в сетевых инфраструктурах. Каждое такое устройство обеспечивает длительную работу от батарей с возможностями продления времени автономной работы и связи через интерфейсы Web. Имеют встроенные интерфейсы USB, RS-232 (последовательный) и аварийного отключения питания (EPO). Интерактивный ЖК-экран передней панели обеспечивает отображение подробной информации о статусе ИБП, а также возможность предварительной установки параметров и настройки элементов управления. Дополнительные возможности достижения максимального КПД и автоматической настройки режимов питания обеспечивают высокоэффективную работу с пониженным потреблением мощности и тепловыделением.

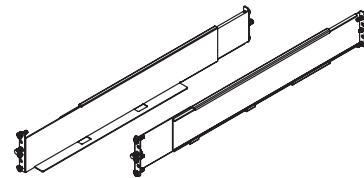
Спецификация



ИБП



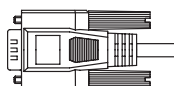
Монтажные проушины с болтовым креплением (2 шт.)



Комплект монтажных направляющих для двухрядных стоек



Кабель USB



Кабель RS-232



Руководство пользователя

Дополнительные комплектующие (для всех моделей; опциональные)*

- SNMPWEBCARD: внутренняя карта сетевого интерфейса для управления и контроля по протоколам SNMP/Web
- WEBCARDLX: Карта Web для управления оборудованием
- 2POSTRMKITWM: поддержка стоечных ИБП и блоков аккумуляторных батарей в конфигурациях с монтажом в однорядные стойки или настенным монтажом
- 2-9USTAND: поддержка стоечных ИБП и блоков аккумуляторных батарей в конфигурациях с вертикальными корпусами

* Некоторые модели также поставляются с опциональными кабелями-переходниками ввода/вывода.

Комплектующие для конкретных моделей (опциональные)*

Модель ИБП	SUINT1000LCD2U	SUINT1500LCD2U	SUINT2200LCD2U	SUINT3000LCD2U / SU3000LCD2UHV
Внешние блоки аккумуляторных батарей "SMART"***	BP24V36-2US	BP36V27-2US	BP48V27-2US	BP72V18-2US
Внешние блоки аккумуляторных батарей "NON-SMART"***	BP24V15RT2U (не более 1 шт.) BP24V28-2U (не более 1 шт.) BP24V70-3U	BP36V15-2U (не более 1 шт.) BP36V42-3U	BP48V24-2U (не более 1 шт.) BP48V60RT3U	BP72V15 (не более 1 шт.) BP72V28RT3U

*Для получения подробных сведений об увеличенном времени работы и информации о дополнительных комплектующих посетите страницу технических характеристик своего ИБП на сайте www.tripplite.com.

** Информацию по настройке внешних батарей см. в разделе "Эксплуатация" (варианты конфигурации и способ настройки). ИБП распознает блоки аккумуляторных батарей SMART автоматически.

Важные указания по технике безопасности



СОХРАНИТЕ НАСТОЯЩИЕ УКАЗАНИЯ

В настоящем руководстве содержатся указания и предупреждения, которые необходимо соблюдать в процессе установки, эксплуатации и хранения всех моделей ИБП марки Tripp Lite. Игнорирование этих предупреждений может привести к потере гарантии.

Предупреждения относительно места установки ИБП

- Устанавливайте ИБП в закрытом помещении вдали от источников избыточной влаги или тепла, электропроводных загрязнителей, пыли и прямого солнечного света.
- Для обеспечения максимальной эффективности его работы поддерживайте в помещении температуру от 0 до 40°C.
- Необходимо обеспечить достаточно свободного пространства со всех сторон ИБП для его надлежащего проветривания.
- Запрещается устанавливать устройство с расположением его лицевой или задней панели по направлению вниз (под любым углом). Установка ИБП подобным образом приведет к созданию серьезных препятствий для системы внутренней вентиляции устройства и, в конечном итоге, к повреждению ИБП, на которое не распространяются гарантийные условия.



Предупреждения относительно подключения ИБП

- Подключайте ИБП непосредственно к надлежащим образом заземленной розетке сети переменного тока. Не подключайте ИБП к самому себе – это приведет к его выходу из строя.
- Не переделывайте электрическую вилку ИБП и не используйте переходник, не обеспечивающий его заземления.
- Не используйте удлинители для подключения ИБП к розетке сети переменного тока. В случае подключения вашего ИБП к сетевой розетке с использованием любого оборудования, кроме сетевых фильтров Tripp Lite, ваша гарантия будет аннулирована.
- В случае питания ИБП от дизельного генератора переменного тока последний должен обеспечивать на выходе чистый отфильтрованный сигнал, безопасный для электропитания вычислительного оборудования.
- Сетевая розетка, питающая ИБП, должна находиться вблизи него и в свободном доступе.
- Для снятия напряжения переменного тока с ИБП следует вынуть его вилку из сетевой розетки.

Предупреждения относительно подключения оборудования

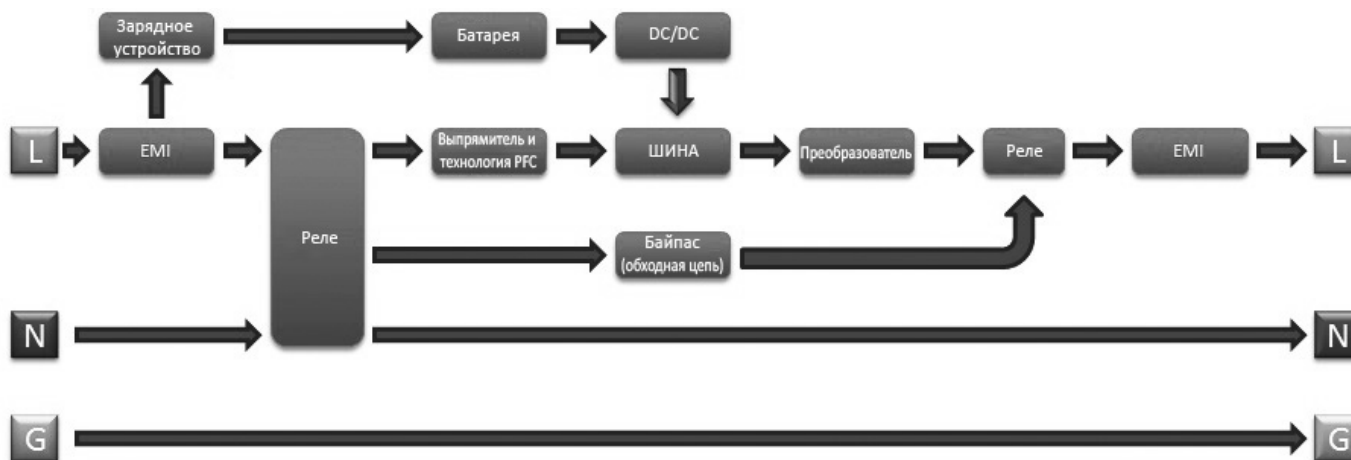
- Не рекомендуется использование данного оборудования в системах жизнеобеспечения, где его выход из строя предположительно может привести к перебоям в работе оборудования жизнеобеспечения или в значительной мере снизить его безопасность или эффективность.
- Не подключайте сетевые фильтры или кабели-удлинители к выходу ИБП. Это может привести к выходу ИБП из строя с потерей гарантий как на сетевой фильтр, так и на ИБП.
- Подключите ИБП к розетке, надлежащим образом защищенной от избыточных токов, коротких замыканий и замыканий на землю в процессе монтажа здания. Защита розетки для подключения ИБП должна располагаться последовательно с входным разъемом сетевого питания.
- Для снижения риска возгорания следует производить подключение только к контуру, оснащенный защитой от перегрузок по току с использованием шунтирующей цепи, класс которой должен соответствовать требованиям Национального свода законов и стандартов США по электротехнике (NEC®), ANSI/NFPA 70 или местных электротехнических норм и правил. В странах Европы автоматический выключатель должен соответствовать требованиям стандарта IEC/EN 60934 и иметь воздушный зазор между контактами не менее 3 мм. Рекомендуемый номинал автоматического выключателя при установке внутри зданий составляет 240 В / 20 А.

Предупреждения относительно батарей

- Батареи могут являться источником опасности поражения электрическим током, а также воспламениться в результате короткого замыкания. Принимайте все надлежащие меры предосторожности. Не бросайте батареи в огонь. Не вскрывайте корпус ИБП или батареи. Не замыкайте и не шунтируйте клеммы батареи какими-либо предметами. Перед заменой батарей выключайте ИБП и отключайте его от сети. Используйте инструменты с изолированными ручками. Внутри ИБП нет деталей, обслуживаемых пользователем. Замена батарей должна производиться авторизованным сервисным персоналом с использованием батарей аналогичного типа (герметичных свинцово-кислотных аккумуляторных батарей) с таким же номером. Батареи пригодны для вторичной переработки. См. местные нормативы и требования по утилизации либо руководствуйтесь информацией по утилизации на веб-странице www.tripplite.com/UPSbatteryrecycling. Компания Tripp Lite предлагает полный ассортимент сменных батарейных картриджей ИБП (R.B.C.) на веб-странице по адресу www.tripplite.com/support/battery/index.cfm, где вы сможете подобрать сменную батарею для вашей модели ИБП.

Примечание. Информацию по настройке внешних батарей см. в разделе “Эксплуатация” (варианты конфигурации и способ настройки). ИБП распознает БЛОКИ АККУМУЛЯТОРНЫХ БАТАРЕЙ SMART автоматически.

Электрическая блок-схема ИБП



Установка

Монтаж в стойку

Установка оборудования должна производиться в однорамные или двухрамные стойки либо шкафы. Пользователь должен установить пригодность оснастки и предполагаемых процедур до начала монтажа. Если оснастка и процедуры не соответствуют условиям использования оборудования, свяжитесь с производителем своей стойки или шкафа. Описанные в настоящем руководстве процедуры предназначены для обычных типов шкафов и могут не подходить для всех целей применения.

Монтаж в двухрамную стойку

- 1** Поставляемые в комплекте пластмассовые штифты **A** временно поддерживают ненагруженные полки шкафа **B** в процессе установки монтажных приспособлений постоянного назначения. Вставьте штифт в третье сверху отверстие на переднем конце каждого кронштейна. На заднем конце вставьте штифт в центральное отверстие (каждый передний кронштейн имеет 6 отверстий, а каждый задний кронштейн – 3 отверстия). Штифты защелкнутся в нужном положении.

После установки штифтов расширьте каждую полку на глубину направляющих вашего шкафа. Штифты будут проходить через квадратные отверстия в направляющих шкафа и поддерживать полки на соответствующих уровнях. Руководствуясь маркировкой шкафа, убедитесь в том, что полки выровнены по всем направлениям.

Примечание. Опорный выступ каждой полки должен быть направлен внутрь.

- 2** Выньте штифты с переднего конца каждого кронштейна. Прикрепите полки **B** к монтажным направляющим стационарным образом с помощью входящих в комплект поставки винтов и чашеобразных шайб **C**, как показано на рисунке. Установите по 2 винта в лицевой части каждой направляющей (всего 4 шт.) и по 2 винта в задней части каждой направляющей (всего 4 шт.). Прежде чем приступить к следующему шагу, затяните все винты.

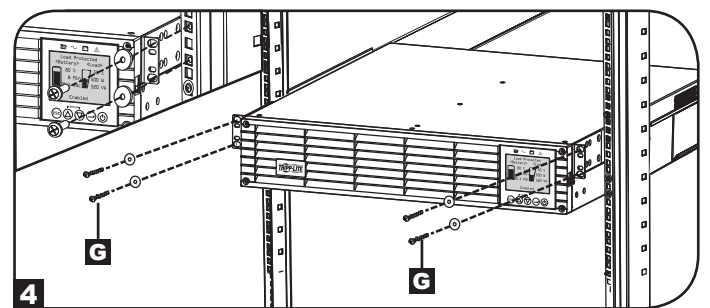
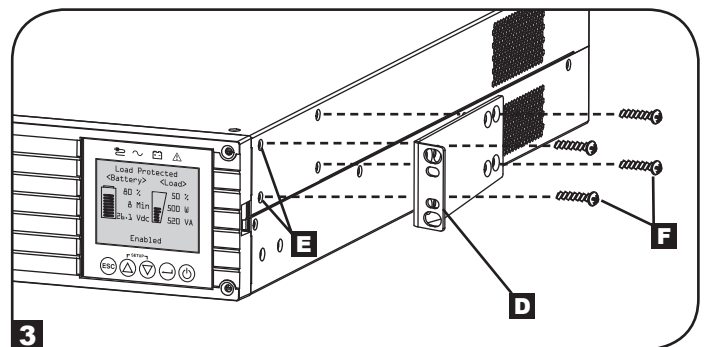
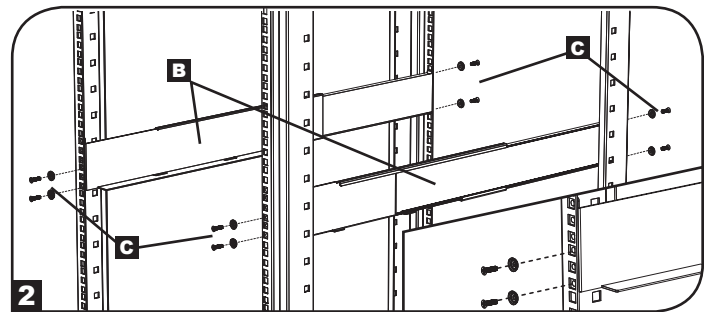
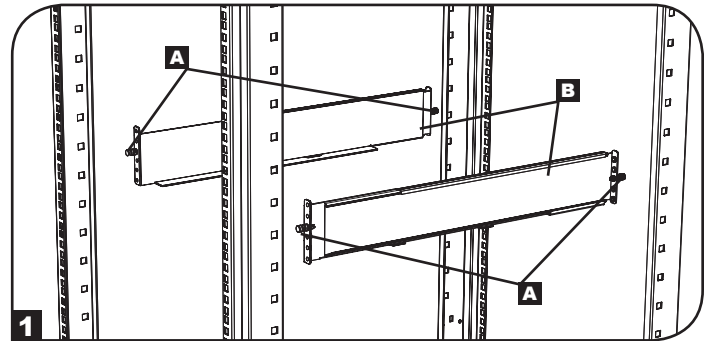
Примечание. При установке задние штифты могут оставаться в своих отверстиях, а передние должны быть извлечены до момента крепления кронштейна винтами.

ВНИМАНИЕ!

Не пытайтесь устанавливать ИБП до ввертывания и затяжки всех необходимых винтов. Пластмассовые штифты не рассчитаны на удержание веса вашего ИБП.

- 3** Закрепите монтажные кронштейны **D** вашего ИБП в передних монтажных отверстиях шкафа **E** с помощью крепежных деталей **F**, входящих в комплект поставки вашего ИБП. “Язычки” монтажных кронштейнов должны быть направлены вперед.

- 4** С помощью другого сотрудника (в случае необходимости) поднимите ИБП и задвиньте его в полки. Прикрепите монтажные кронштейны ИБП к передним монтажным направляющим с помощью винтов и шайб **G**, не входящих в комплект. Плотно затяните все винты.



Монтаж в однорамную стойку

Для монтажа ИБП высотой 2U в однорамную стойку требуется комплект для установки в однорамную стойку Tripp Lite (модель: 2POSTRMKITWM, приобретается отдельно). Порядок установки см. в руководстве пользователя установочного комплекта.

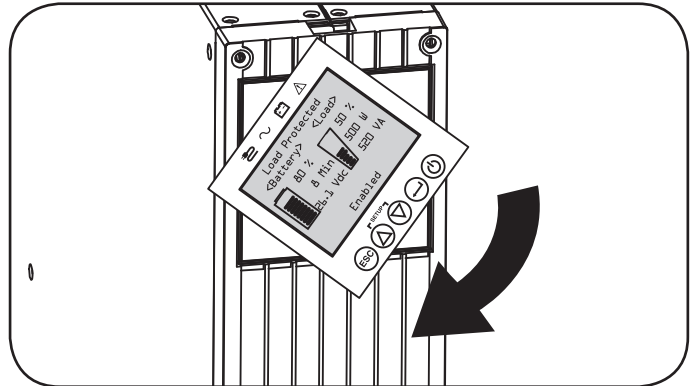
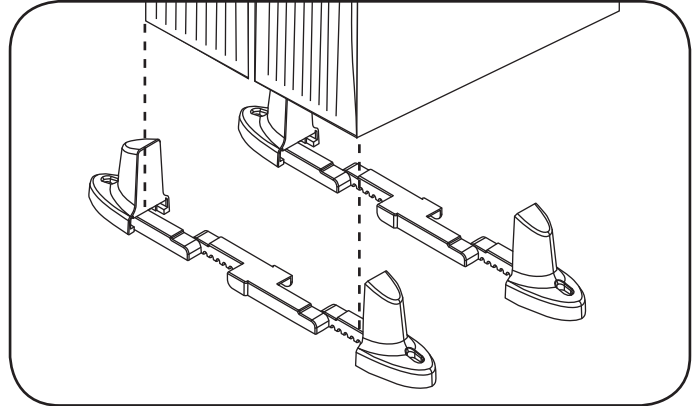
Установка

Вертикальный монтаж

Ваш ИБП может монтироваться в вертикальном положении с помощью дополнительных оснований для напольной установки, реализуемых отдельно компанией Tripp Lite (модель: 2-9U STAND). При монтаже ИБП на регулируемых основаниях для напольной установки убедитесь в том, что панель управления обращена вверх. Для облегчения считывания информации панель управления может поворачиваться. Выверните 4 лицевых винта из передней панели и снимите ее. Защемите язычки, расположенные по бокам ЖК-панели, а затем поверните ее. Установите переднюю панель на свое место и закрепите ее. Начальная установка передней панели должна производиться только сервисным персоналом.

ВНИМАНИЕ!

Все ИБП являются крайне тяжеловесными. Проявляйте осторожность при их подъеме и монтаже. При подъеме и монтаже ИБП пользователь должен обеспечить его устойчивое положение.



Модель ИБП	SUINT1000LCD2U	SUINT1500LCD2U	SUINT2200LCD2U	SUINT3000LCD2U / SU3000LCD2UHV
Размеры ИБП (ВхШхГ)	8,6 x 43,8 x 39,6 см	8,6 x 43,8 x 49,6 см	8,6 x 43,8 x 49,6 см	8,6 x 43,8 x 61,6 см

Эксплуатационная высота: от 0 до 3000 м над уровнем моря

ПРИМЕЧАНИЕ ПО НАСТРОЙКЕ ВНЕШНИХ БАТАРЕЙ

При использовании внешних блоков аккумуляторных батарей с ИБП их следует устанавливать в соответствии с документацией по монтажу/установке, поставляемой в комплекте с каждым блоком аккумуляторных батарей. При установке внешних блоков аккумуляторных батарей требуется настройка ИБП одним из следующих способов:

1. Через ЖК-интерфейс передней панели ИБП
2. При помощи предлагаемого компанией Tripp Lite программного обеспечения НАСТРОЙКИ ВНЕШНИХ БАТАРЕЙ

Этот ИБП запрограммирован на заводе-изготовителе таким образом, что его разрядные кривые и режимы зарядки рассчитаны на конфигурации внешних блоков аккумуляторных батарей, доступные через ЖК-интерфейс передней панели ИБП. Другие варианты применения блоков аккумуляторных батарей с использованием более крупных или нескольких внешних блоков также возможны, но требуют конфигурации с использованием предлагаемого компанией Tripp Lite программного обеспечения НАСТРОЙКИ ВНЕШНИХ БАТАРЕЙ и подключения к ИБП через последовательный порт.

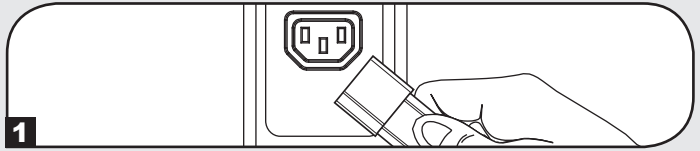
Подключение к основным элементам и начальный запуск

Краткое руководство пользователя: первое включение ИБП

1 Вставьте разъем сетевого шнура своего ИБП в электрическую розетку

Ваш ИБП должен быть подключен к выделенной цепи питания, обеспечивающей достаточный для него ток.

Более подробные параметры указаны в таблице номиналов на корпусе ИБП.

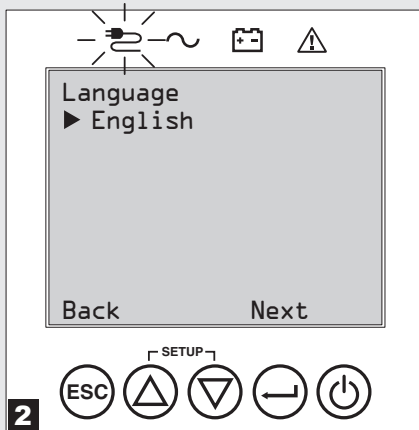


2 Выберите свой язык

При первом включении вашего ИБП загорается светодиодный индикатор INPUT AC ("ВХОД ПИТАНИЯ ПЕРЕМЕННОГО ТОКА"), а на ЖК-экране передней панели пользователю предлагается выбрать свой язык.

Выберите предпочтительный для себя язык при помощи кнопок UP / DOWN ("ВВЕРХ/ВНИЗ") Δ ∇ , после чего нажмите на кнопку NEXT ("ДАЛЕЕ") \ominus .

На интерфейсном экране появится подтверждение выбранного вами варианта с возможностями возврата (нажмите BACK/"НАЗАД") \oplus , или перехода к следующему шагу (нажмите NEXT/"ДАЛЕЕ") \ominus .

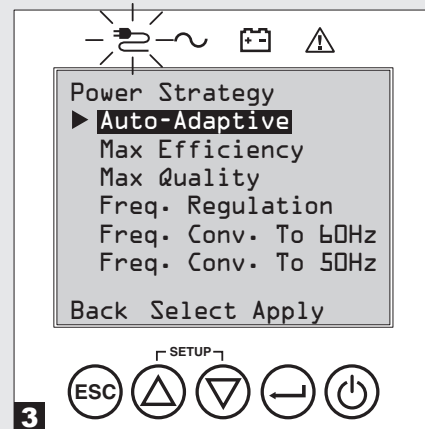


3 Выберите свой режим питания

Затем ИБП предложит вам выбрать желаемый POWER STRATEGY ("РЕЖИМ ПИТАНИЯ").

Выберите предпочтительный для себя РЕЖИМ ПИТАНИЯ при помощи кнопок UP / DOWN ("ВВЕРХ/ВНИЗ") Δ ∇ , после чего нажмите на кнопку APPLY ("ПРИМЕНИТЬ") \ominus .

Рабочие характеристики каждого режима питания см. в подразделах "Варианты выбора режимов питания" и "Режимы работы ИБП" раздела "Эксплуатация".

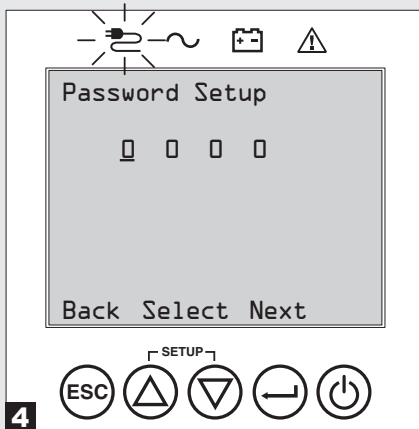


4 Задайте свой пароль

Затем ИБП предложит вам задать желаемый PASSWORD ("ПАРОЛЬ").

С помощью кнопок UP / DOWN ("ВВЕРХ/ВНИЗ") Δ ∇ , выберите первую цифру желаемого пароля и нажмите на кнопку NEXT ("ДАЛЕЕ") \ominus для перехода ко второй цифре. Повторите описанные выше действия для второй, третьей и четвертой цифр пароля.

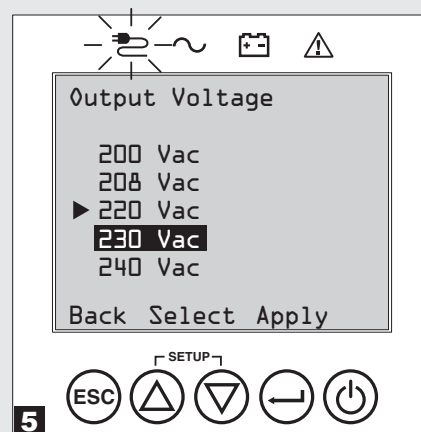
Примечание. Для быстрого сброса пароля на "0 0 0 0" нажмите на NEXT ("ДАЛЕЕ") 4 раза.



5 Выберите выходное напряжение ИБП

Затем ИБП предложит вам выбрать желаемое значение OUTPUT VOLTAGE ("ВЫХОДНОГО НАПРЯЖЕНИЯ").

С помощью кнопок UP / DOWN ("ВВЕРХ/ВНИЗ") Δ ∇ , выберите значение выходного напряжения ИБП, после чего нажмите APPLY ("ПРИМЕНИТЬ") \ominus .

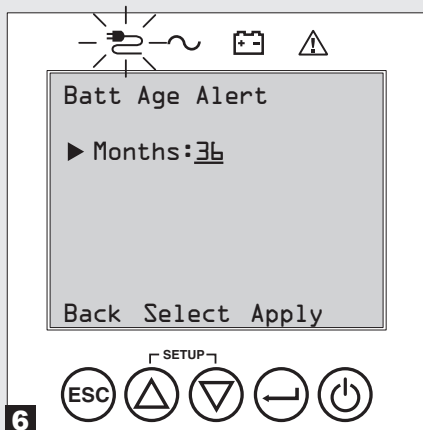


Подключение к основным элементам и начальный запуск

6 Выберите время подачи предупредительного сигнала об истечении срока службы батареи ИБП

Затем ИБП предложит вам выбрать время подачи BATTERY AGE ALERT ("ПРЕДУПРЕДИТЕЛЬНОГО СИГНАЛА ОБ ИСТЕЧЕНИИ СРОКА СЛУЖБЫ БАТАРЕИ").

С помощью кнопок UP / DOWN ("ВВЕРХ/ВНИЗ") \triangle ∇ , выберите период времени (в месяцах) до подачи предупредительного сигнала об истечении срока службы батареи, после чего нажмите APPLY ("ПРИМЕНИТЬ").

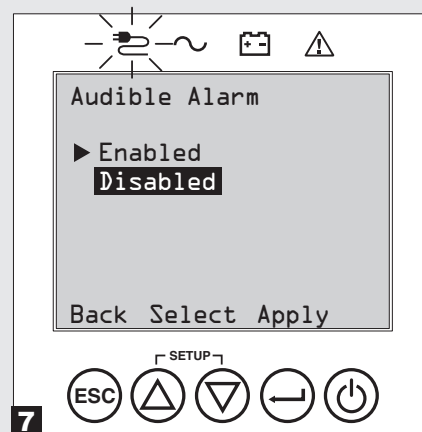


7 Выберите статус звуковой аварийной сигнализации ENABLE / DISABLE ("ВКЛ./ВЫКЛ.")

Затем ИБП предложит вам выбрать статус аварийной сигнализации ENABLE / DISABLE ("ВКЛ./ВЫКЛ.").

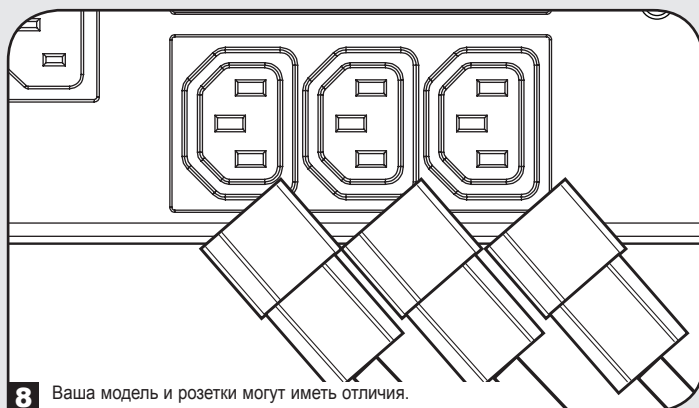
С помощью кнопок UP / DOWN ("ВВЕРХ/ВНИЗ") \triangle ∇ , выберите статус аварийной сигнализации ENABLE / DISABLE ("ВКЛ./ВЫКЛ."), после чего нажмите APPLY ("ПРИМЕНИТЬ").

Примечание. При выключенной аварийной сигнализации звуковой сигнал не подается только во время отключения электричества и неисправностей ИБП. Несмотря на отключенную аварийную сигнализацию ИБП издает звуковые сигналы в виде "писка" в подтверждение нажатия оператором кнопок перемещения на ЖК-дисплее передней панели.



8 Подключите свое оборудование к ИБП

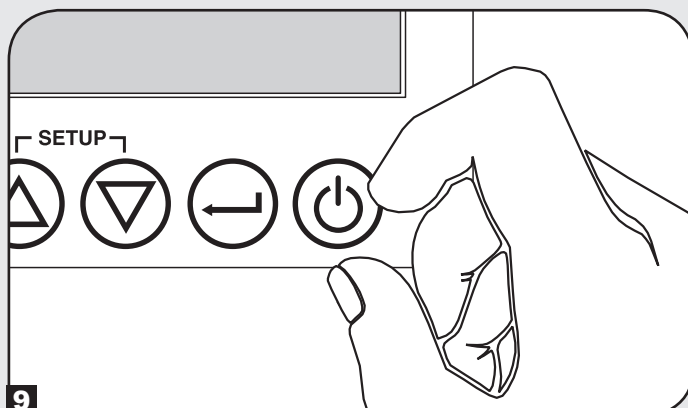
Ваш ИБП предназначен для поддержания работоспособности только сетевого, серверного и вычислительного оборудования.



Ваша модель и розетки могут иметь отличия.

9 Включите ИБП

Нажмите на кнопку POWER ("ПИТАНИЕ") \odot удерживайте ее в течение 3 секунд до начала подачи звукового сигнала.



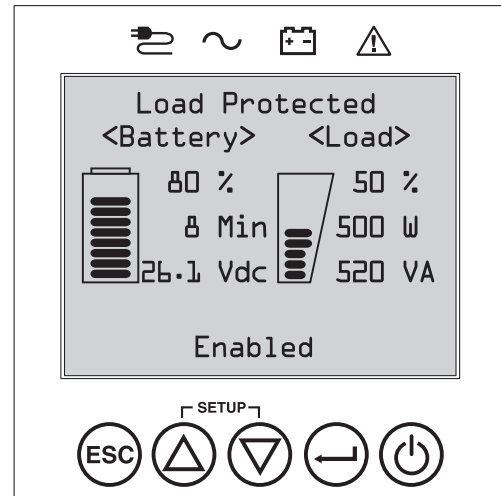
После этого ИБП выполнит ряд диагностических проверок перед включением выходного питания. После того как ИБП сообщит о переходе в рабочее состояние NORMAL / LOAD PROTECTED ("НОРМАЛЬНЫЙ РЕЖИМ" / "ЗАЩИТА НАГРУЗКИ ВКЛЮЧЕНА") при заданном РЕЖИМЕ ПИТАНИЯ, он немедленно вводится в действие с обеспечением надежной защиты от широкого спектра проблем, связанных с электропитанием.

Перед установкой и началом эксплуатации своего ИБП ознакомьтесь с расположением и функциональными возможностями каждого из его компонентов.

Элементы управления передней панели, светодиодные индикаторы и ЖК-экран

Графический ЖК-дисплей на передней панели предлагает широкий выбор режимов работы ИБП и диагностических данных. Кроме того, он отображает настройки ИБП и предлагаемые опции при просмотре экранов начальной установки параметров ИБП. Пять кнопок, расположенных под ЖК-дисплеем, могут использоваться для поиска различной информации и перемещения между экранами настройки и управления ИБП с помощью выводимых на экран подсказок и вариантов для выбора. Дополнительные светодиодные индикаторы над ЖК-экраном также обеспечивают полную картину состояния входного источника питания переменного тока, наличия выходного сигнала, состояния батарей и статуса предупредительной/аварийной сигнализации.

Подробное описание функций ЖК-дисплея, кнопок и светодиодных индикаторов см. в разделе “Эксплуатация”.

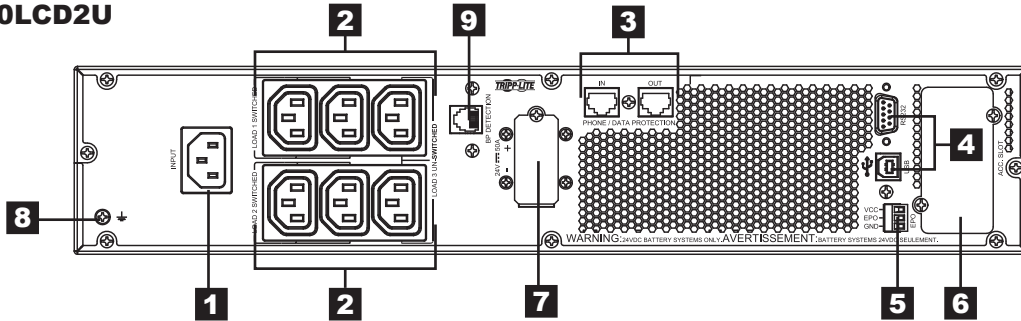


Функциональные элементы задней панели

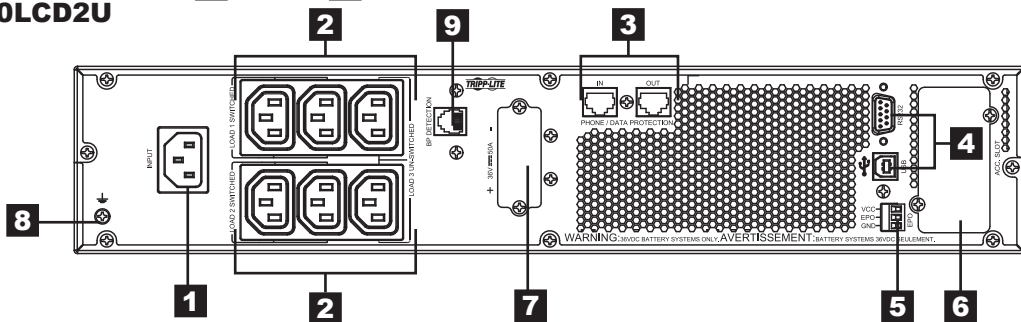
- 1 Разъем для подключения входного шнура:** обеспечивает подключение к источнику питания переменного тока через приобретаемый пользователем шнур питания с вилкой, принятой в соответствующей стране, или жестко закрепленный шнур питания.
- 2 Розетки переменного тока (различной конфигурации в зависимости от модели):** эти выходные розетки обеспечивают для подключенного оборудования выходное питание переменного тока чистой синусоидальной формы при работе в нормальном режиме и электропитание от батарей при отключении электричества и существенном понижении напряжения в сети. Электропитание, обеспечиваемое этими розетками, фильтруется в целях защиты подключенного оборудования от вредоносных выбросов напряжения и шумов в линии. Эти розетки разделены на группы нагрузки, пронумерованные согласно маркировке на корпусе устройства. С помощью программного обеспечения PowerAlert и соответствующих кабелей группы нагрузки 1 и 2 могут независимо включаться и выключаться из удаленного места, позволяя пользователям осуществлять перезапуск или перезагрузку подключенного оборудования.
- 3 Разъемы для защиты телефонной линии или телефонной линии/локальной сети:** эти разъемы обеспечивают защиту вашего оборудования от выбросов напряжения в телефонной линии или телефонной линии, совмещенной с линией передачи данных по локальной сети. Подключение вашего оборудования к этим разъемам не является обязательным. Ваш ИБП будет функционировать надлежащим образом и при отсутствии такого подключения.
Примечание. Не совместимо с технологией PoE (питание по кабелю витой пары).
- 4 Коммуникационные порты (USB или RS-232):** эти порты обеспечивают возможность подключения вашего ИБП к любой рабочей станции или серверу. С помощью программного обеспечения PowerAlert от Tripp Lite и кабелей из комплекта обеспечьте возможность автоматического сохранения открытых файлов на компьютере, а также выключения оборудования при отключении электричества. Программное обеспечение PowerAlert также можно использовать для контроля широкого спектра эксплуатационных условий ИБП и сети электропитания переменного тока. Более подробная информация представлена в руководстве к программному обеспечению PowerAlert; вы также можете связаться со службой поддержки Tripp Lite для получения консультации. 9-контактный разъем RS-232 также обеспечивает возможность взаимодействия через интерфейс с сухими контактами. Указания по установке см. в подразделе “Взаимодействие через порты USB и RS-232” раздела “Разъемы для подключения опциональных элементов”.
- 5 Порт EPO (аварийное отключение питания):** ваш ИБП оснащен портом EPO (аварийное отключение питания), который может использоваться для подключения ИБП к реле с нормально разомкнутыми контактами, обеспечивая реализацию функции аварийного отключения преобразователя. Подробную информацию см. в разделе “Разъемы для подключения опциональных элементов”.
- 6 Разъем для комплектующих:** снимите маленькую панель и установите дополнительные комплектующие, предназначенные для удаленного управления и контроля над вашим ИБП. Полный перечень комплектующих, включая карту WEBCARDLX для дистанционного управления и контроля параметров ИБП, а также самые разнообразные средства управления сетью и подключения, см. на сайте www.tripplite.com.
- 7 Разъем для подключения внешнего блока аккумуляторных батарей (различных конфигураций в зависимости от модели):** ваш ИБП рассчитан на использование опциональных внешних блоков аккумуляторных батарей Tripp Lite, обеспечивающих увеличение времени работы. Совместимые модели и ограничения см. в подразделе “Комплектующие для конкретных моделей” раздела “Краткое описание”, а указания по настройке – в подразделе “Настройка внешних блоков аккумуляторных батарей” раздела “Эксплуатация”.
Примечание. Внешние блоки аккумуляторных батарей требуют настройки с использованием ЖК-интерфейса передней панели или при помощи предлагаемого компанией Tripp Lite программного обеспечения НАСТРОЙКИ ВНЕШНИХ БАТАРЕЙ.
- 8 Винт заземления:** используется для соединения с любым оборудованием, требующим заземления шасси.
- 9 Порт распознавания внешних батарей:** при использовании внешних батарей со встроенными коммуникационными портами включение соединительного кабеля батареи в этот порт позволит ИБП автоматически распознать внешнюю батарею.

ВОЗМОЖНОСТИ

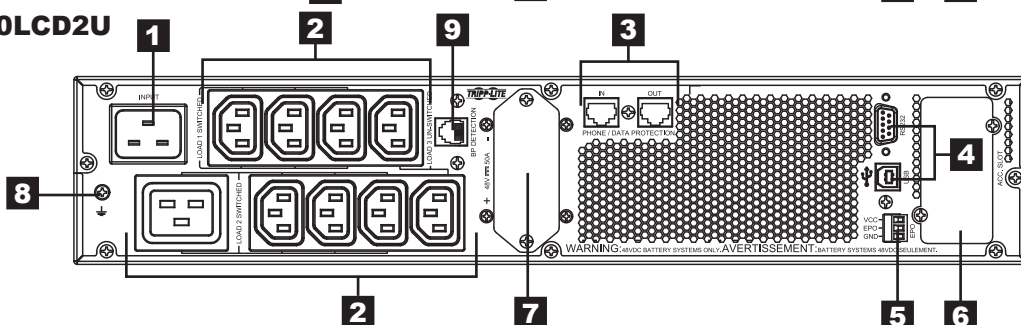
SUINT1000LCD2U



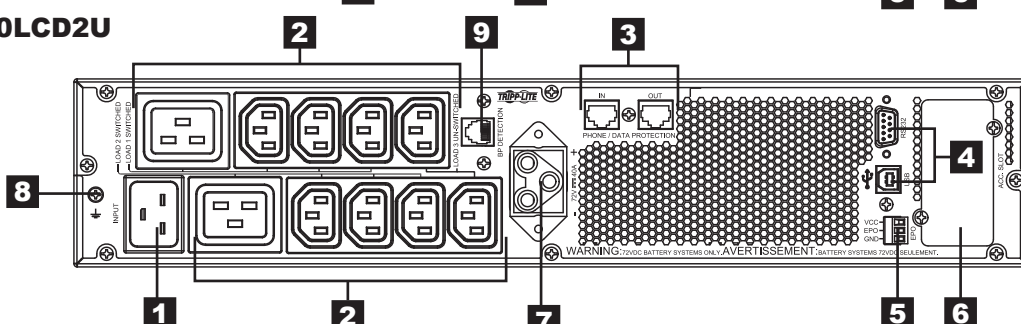
SUINT1500LCD2U



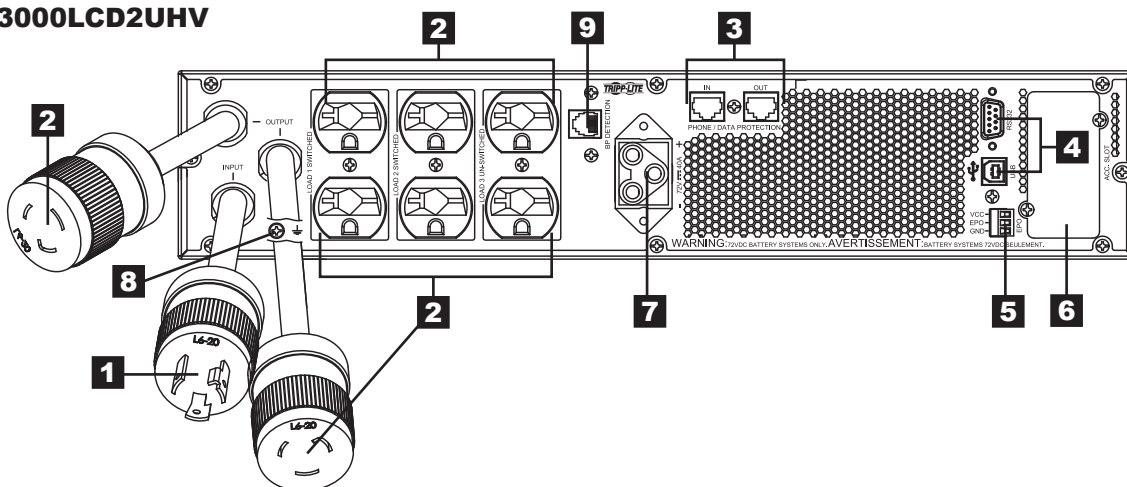
SUINT2200LCD2U



SUINT3000LCD2U



SU3000LCD2UHV

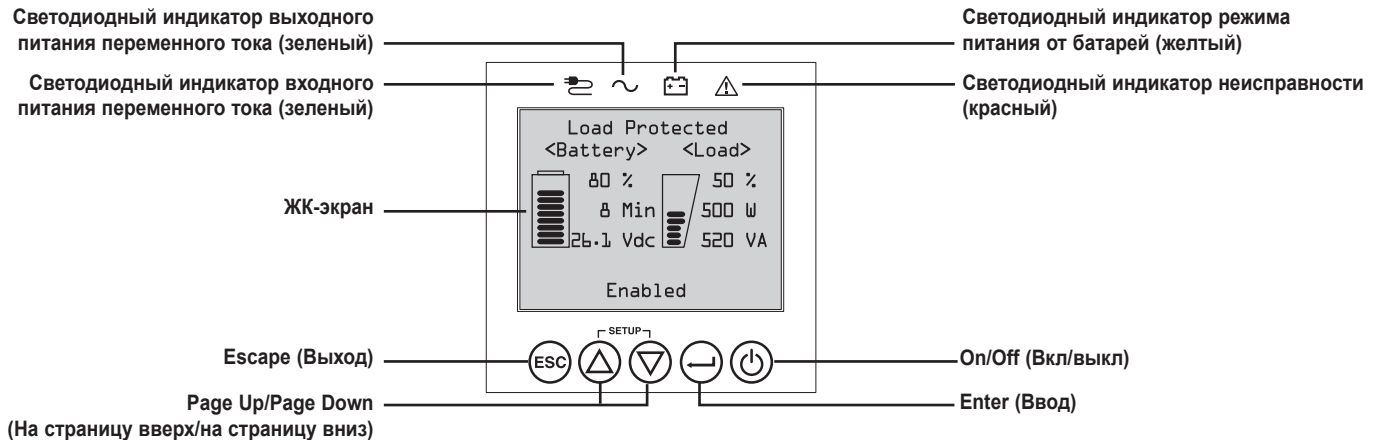


Эксплуатация

В этом разделе объясняется порядок использования вашего онлайн-ИБП Tripp Lite, включая управление ЖК-дисплеем передней панели, рабочие режимы, включение и выключение ИБП, переключение между режимами, установку режима питания и установку настроек обходной цепи, нагрузочных сегментов и настроек батарей.

ЖК-дисплей и элементы управления передней панели

С лицевой стороны ИБП располагается 5-кнопочный графический ЖК-экран с дополнительными светодиодными индикаторами, предоставляющий информацию о статусе ИБП, уровнях нагрузки, событиях, измеряемых параметрах, настройках, а также широкий выбор вариантов настройки ИБП и режимов питания.



Светодиодные индикаторы передней панели

Над ЖК-экраном передней панели располагаются 4 светодиодных индикатора, предоставляющие информацию о наличии ВХОДНОГО СИГНАЛА ПЕРЕМЕННОГО ТОКА, использовании ОБХОДНОЙ ЦЕПИ, наличии ВЫХОДНОГО СИГНАЛА ПЕРЕМЕННОГО ТОКА, работе в РЕЖИМЕ ПИТАНИЯ ОТ БАТАРЕЙ и НЕИСПРАВНОСТИ ИБП.

	Индикатор НАЛИЧИЯ ВХОДНОГО СИГНАЛА ПЕРЕМЕННОГО ТОКА
Горит	Входной сигнал переменного тока присутствует И находится В ПРЕДЕЛАХ заданного диапазона для ЭКОНОМИЧНОГО РЕЖИМА / РЕЖИМА РАБОТЫ ПО ОБХОДНОЙ ЦЕПИ. НЕПРЕРЫВНОЕ ГОРЕНИЕ этого светодиодного индикатора свидетельствует об удовлетворительном качестве входного питания переменного тока для функционирования ИБП в РЕЖИМЕ РАБОТЫ ПО ОБХОДНОЙ ЦЕПИ или в ЭКОНОМИЧНОМ РЕЖИМЕ.
Мигает	Входной сигнал переменного тока присутствует И находится ЗА ПРЕДЕЛАМИ заданного диапазона для РЕЖИМА РАБОТЫ ПО ОБХОДНОЙ ЦЕПИ. МИГАНИЕ этого светодиодного индикатора свидетельствует о неудовлетворительном значении напряжения или частоты входного питания переменного тока для функционирования ИБП в РЕЖИМЕ РАБОТЫ ПО ОБХОДНОЙ ЦЕПИ или в ЭКОНОМИЧНОМ РЕЖИМЕ.
Не горит	Входной сигнал переменного тока ОТСУТСТВУЕТ. В то время, когда этот светодиодный индикатор не горит, входной сигнал переменного тока отсутствует.
	Индикатор НАЛИЧИЯ ВЫХОДНОГО СИГНАЛА ПЕРЕМЕННОГО ТОКА
Горит	Выходной сигнал переменного тока ИБП ПРИСУТСТВУЕТ Выходной сигнал ИБП присутствует на его выходных розетках.
Не горит	Выходной сигнал переменного тока ИБП ОТСУТСТВУЕТ Выходной сигнал переменного тока ИБП отсутствует.
	Индикатор РЕЖИМА ПИТАНИЯ ОТ БАТАРЕЙ
Горит	ИБП работает в режиме питания от батарей По мере работы ИБП в режиме питания от батарей они постепенно разряжаются. Кроме того, этот индикатор загорается на короткое время при работе в режиме внутреннего теста.
Мигает	ИБП работает в режиме питания от батарей – предупредительный сигнал “Низкий заряд батарей” По мере работы ИБП в режиме ПИТАНИЯ ОТ БАТАРЕЙ они постепенно разряжаются до критически низкого уровня. Индикатор будет мигать с интервалом в 2 секунды для предупреждения о НИЗКОМ ЗАРЯДЕ БАТАРЕЙ и с интервалом в 0,5 секунды для сообщения о том, что БАТАРЕИ ПРАКТИЧЕСКИ ПОЛНОСТЬЮ РАЗРЯЖЕНЫ и ИБП находится на пороге отключения.
	Индикатор НЕИСПРАВНОСТИ ИБП
Горит	ИБП находится в одном из предварительно установленных состояний неисправности Объяснение состояния ошибки или информацию о ее коде см. на дисплее передней панели. Рекомендации по выявлению и устранению неисправностей см. в указаниях, выводимых на экран, и руководстве пользователя.
Не горит	Нормальный режим При выключенном индикаторе ИБП не сообщает о каких-либо состояниях неисправности.

Эксплуатация

Функции кнопок передней панели

На передней панели имеются 5 кнопок, обеспечивающих возможность управления ИБП и выбора вариантов настройки. Для поиска различной информации и перемещения между экранами настройки и управления ИБП используйте 5-кнопочный интерфейс передней панели и следуйте выводимым на экран подсказкам и вариантам для выбора.



Кнопка “Питание Вкл/Выкл”: данный элемент управления выполняет три основные функции: включение питания, отключение питания и устранение неисправности ИБП.

Для ВКЛЮЧЕНИЯ ИБП в защищенном рабочем режиме нажмите эту кнопку и удерживайте ее в течение 3 секунд до подключения ИБП к источнику входного питания переменного тока. Отпустите кнопку с началом звукового сигнала, после чего ИБП запустится в последнем заданном режиме питания.

Для “холодного запуска” ИБП в режиме питания от батарей при отключении электричества нажмите на эту кнопку и удерживайте ее в течение 3 секунд. Отпустите кнопку с началом звукового сигнала, после чего ИБП запустится в режиме питания от батарей.

Для выключения ИБП при его работе в режиме питания от батарей или защищенном режиме нажмите на эту кнопку и удерживайте ее в течение 3 секунд. Отпустите кнопку с началом звукового сигнала. В результате этого ИБП отключает выходное питание переменного тока. После отключения выходного питания переменного тока отсоедините ИБП от источника входного питания, после чего он будет полностью выключен.

Для УСТРАНЕНИЯ НЕИСПРАВНОСТИ ИБП нажмите и удерживайте эту кнопку как показано на экране в течение 3 секунд. ИБП устранил возникшую неисправность и вернется в режим ожидания или режим работы по обходной цепи.



Кнопка ENTER (“ВВОД”): данный элемент управления используется для выбора нужных вариантов, их подтверждения и перехода к следующему шагу выбора во время настройки ИБП в режиме начальной установки. Нажмите на эту кнопку, как показано на экране, в режиме начальной установки для ввода, подтверждения или перехода к следующему шагу в процессе настройки.



Кнопки UP / DOWN (“ВВЕРХ/ВНИЗ”): данные элементы управления выполняют две основные функции: управление перемещением “Вверх” и “Вниз”, а также вход/выход в/из режим/а начальной установки (при одновременном нажатии). Эти кнопки используются для перемещения по меню начальной установки и прокрутки вверх или вниз для просмотра выводимой на экран информации по мере необходимости.



Для ВХОДА или ВЫХОДА в/из РЕЖИМА/А НАЧАЛЬНОЙ УСТАНОВКИ ИБП нажмите эти две кнопки одновременно и удерживайте их в течение 3 секунд. Отпустите кнопки с началом звукового сигнала. При одновременном нажатии обоих кнопок в режимах отображения информации на ЖК-дисплее ИБП автоматически входит в режим начальной установки. При одновременном нажатии обоих кнопок в режиме начальной установки ИБП последний автоматически выходит из режима начальной установки.



Кнопка ESCAPE (“ВЫХОД”): данный элемент управления выполняет три основные функции: отмена аварийной сигнализации, устранение неисправности и операции возврата к предыдущему шагу / отмены заданных действий.

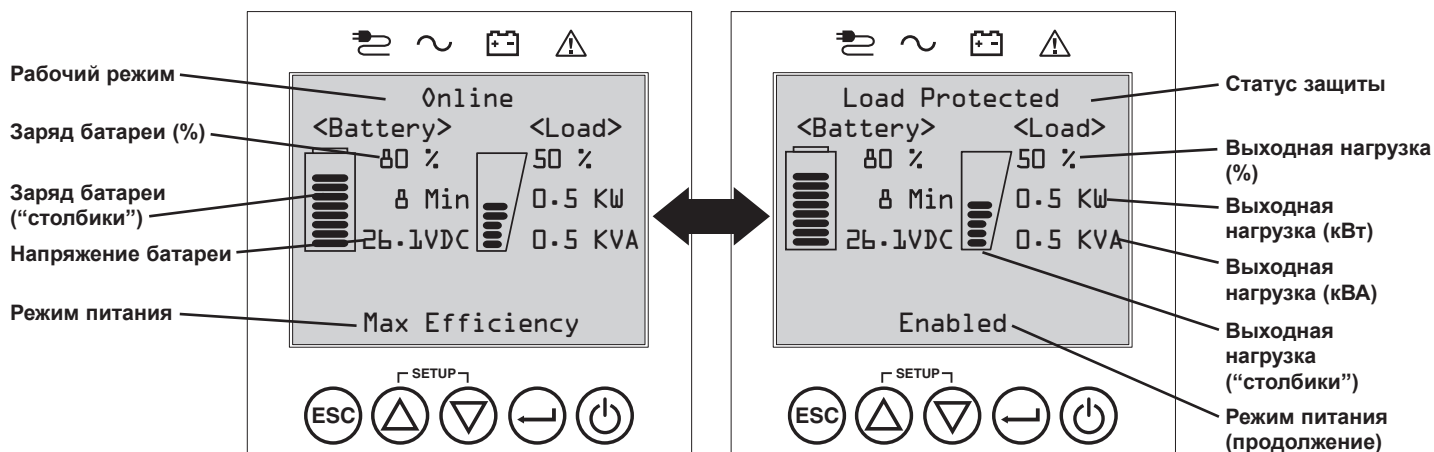
Для ОТМЕНЫ АВАРИЙНОЙ СИГНАЛИЗАЦИИ ИБП нажмите на эту кнопку. В случае возникновения нового условия срабатывания аварийной сигнализации звуковой сигнал подается снова.

Для ОТМЕНЫ заданного действия или ВОЗВРАТА НА ОДИН УРОВЕНЬ НАЗАД в режимах перемещения и начальной установки нажмите на эту кнопку как показано на экране.

Вид начального экрана

ЖК-экран на передней панели ИБП настроен на предоставление непрерывной информации о работе ИБП с использованием начальных экранов НОРМАЛЬНОГО РЕЖИМА и РЕЖИМА ПИТАНИЯ ОТ БАТАРЕЙ, на которых регулярно отображаются рабочий режим, состояние защиты, режим питания и ряд рабочих параметров батарей и нагрузок.

Начальные экраны нормального режима



Варианты выбора режимов питания

ИБП Tripp Lite серии SmartOnline с ЖК-дисплеем имеют несколько встроенных режимов питания, что позволяет им оптимизировать выполнение задач для удовлетворения потребностей пользователей в МАКСИМАЛЬНОМ КАЧЕСТВЕ ЭЛЕКТРОПИТАНИЯ, МАКСИМАЛЬНОМ КПД И операции РЕГУЛИРОВКИ ЧАСТОТЫ или ПРЕОБРАЗОВАНИЯ ЧАСТОТЫ. Дополнительный режим питания с АВТОМАТИЧЕСКОЙ НАСТРОЙКОЙ сочетает в себе преимущества высокого КПД с максимальным качеством электропитания. Каждый вариант РЕЖИМОВ ПИТАНИЯ позволяет ИБП автоматически переключаться между конкретными режимами работы в зависимости от параметров электропитания и статуса ИБП. К числу доступных режимов электропитания относятся следующие:

- **Режим питания с автоматической настройкой**, обеспечивающий возможность автоматического переключения ИБП между РЕЖИМОМ ОНЛАЙН и ЭКОНОМИЧНЫМ РЕЖИМОМ в зависимости от качества и надежности входного питания ИБП. При отсутствии отключений электричества в течение недели (за исключением тех, что происходят при осуществлении внутренних тестов) ИБП автоматически переключается в ЭКОНОМИЧНЫЙ РЕЖИМ. В случае отключения электричества ИБП поддерживает выходной сигнал в РЕЖИМЕ ПИТАНИЯ ОТ БАТАРЕЙ. При восстановлении сетевого электропитания ИБП повторяет указанный цикл, работая в РЕЖИМЕ ОНЛАЙН до момента истечения одной недели без отключений электричества.
- **Режим питания с максимальным КПД**, обеспечивающий возможность непрерывной работы ИБП в ЭКОНОМИЧНОМ РЕЖИМЕ в течение всего времени, когда напряжение входного питания переменного тока находится в заданном диапазоне между нижним и верхним пороговыми значениями, при которых осуществляется переход в режим работы по обходной цепи. Если входное напряжение ИБП находится за пределами заданного диапазона для режима работы по обходной цепи, то ИБП автоматически переключается в РЕЖИМ ОНЛАЙН, до тех пор пока входное напряжение переменного тока не вернется в заданный диапазон напряжений для режима работы по обходной цепи. Данный режим аналогичен режиму питания с автоматической настройкой за исключением того, что переход в ЭКОНОМИЧНЫЙ РЕЖИМ осуществляется немедленно после восстановления соответствующих уровней напряжения. Для возврата ИБП в ЭКОНОМИЧНЫЙ РЕЖИМ недельного периода бесперебойной работы не требуется.
- **Режим питания максимального качества**, обеспечивающий возможность непрерывной работы ИБП в РЕЖИМЕ ОНЛАЙН на протяжении всего времени, когда параметры питания переменного тока находятся в пределах диапазона, заданного для работы в режиме онлайн. ИБП будет продолжать непрерывную работу в режиме онлайн с двойным преобразованием, обеспечивая выходное питание высочайшего качества с нулевым временем переключения. Автоматический режим работы по обходной цепи включается при отказе ИБП, когда параметры входного питания переменного тока находятся в пределах диапазона, заданного для работы по обходной цепи.
- **Режим питания с регулировкой частоты**, аналогичный режиму питания с максимальным качеством, за исключением того, что ИБП активно регулирует частоту выходного сигнала в пределах $\pm 0,05$ Гц от номинального значения в 50 или 60 Гц, измеренного при запуске. ИБП будет продолжать непрерывную работу в режиме онлайн с двойным преобразованием, обеспечивая выходное питание высочайшего качества с нулевым временем переключения. Автоматический режим работы по обходной цепи включается при отказе ИБП, когда параметры входного питания переменного тока находятся в пределах диапазона, заданного для работы по обходной цепи.
- **Режим питания с преобразованием частоты в 60 Гц и преобразованием частоты в 50 Гц**, аналогичный режиму питания с максимальным качеством, за исключением того, что ИБП активно регулирует частоту выходного сигнала в пределах $\pm 0,05$ Гц от 50 Гц (при настройке преобразования частоты в 50 Гц) или 60 Гц (при настройке преобразования частоты в 60 Гц). Автоматический режим работы по обходной цепи в режиме ПРЕОБРАЗОВАНИЯ ЧАСТОТЫ недоступен. К типовым целям применения относится преобразование 50 Гц в 60 Гц (или 60 Гц в 50 Гц) для чувствительных электронных устройств.

Примечание. Максимальная мощность, поддерживаемая в режимах с регулировкой/преобразованием частоты, снижена на 30%.

Режимы работы ИБП

ИБП Tripp Lite серии SmartOnline могут автоматически переключаться между рабочими режимами при наступлении условий, установленных в заданном режиме питания. ИБП непрерывно сообщает о своем статусе с использованием светодиодных индикаторов передней панели и интерактивного ЖК-экрана визуального наблюдения.

- **Режим питания от батарей** представляет собой автоматическую реакцию ИБП на отключение электричества и перепады напряжения за пределы диапазона напряжений, установленного для работы в режиме онлайн. В РЕЖИМЕ ПИТАНИЯ ОТ БАТАРЕЙ ИБП обеспечивает выходное питание переменного тока чистой синусоидальной формы с использованием энергии резервных батарей. После восстановления сетевого питания ИБП возвращается в защищенный режим работы в зависимости от заданного режима питания и параметров питания на входе.
- **Режим онлайн** (именуемый также РЕЖИМОМ ОНЛАЙН С ДВОЙНЫМ ПРЕОБРАЗОВАНИЕМ) обеспечивает высочайший уровень защиты оборудования, подключенного к ИБП. В РЕЖИМЕ ОНЛАЙН ИБП активно преобразует питание переменного тока в питание постоянного тока, а затем обратно для обеспечения на выходе непрерывно стабилизируемого переменного тока напряжением в пределах 2% от выбранного номинального значения выходного напряжения с нулевым временем переключения при переходе ИБП между режимами ОНЛАЙН и ПИТАНИЯ ОТ БАТАРЕЙ. РЕЖИМ ОНЛАЙН включен непрерывно при установке ИБП в режим питания с МАКС.
- **Экономичный режим** обеспечивает энергосберегающую работу ИБП с высочайшим уровнем эксплуатационного КПД. В ЭКОНОМИЧНОМ РЕЖИМЕ ИБП обеспечивает экономию энергии за счет отключения онлайн-процесса с двойным преобразованием на то время, когда входное напряжение питания находится в пределах диапазона напряжений, установленного для работы в ЭКОНОМИЧНОМ РЕЖИМЕ. В случае выхода сетевого напряжения за пределы диапазона, установленного для работы в ЭКОНОМИЧНОМ РЕЖИМЕ, ИБП реагирует посредством автоматического переключения в РЕЖИМ ОНЛАЙН до момента восстановления сетевого напряжения.
- **Режим регулировки частоты** обеспечивает ИБП возможность корректировать колебания частоты, имеющие место на входе питания ИБП. Подробную информацию см. в подразделе **Варианты выбора режимов питания**.
- **Режимы преобразования частоты в 60 Гц и преобразования частоты в 50 Гц** обеспечивают ИБП возможность преобразовывать частоту из 50 Гц в 60 Гц (или из 60 Гц в 50 Гц). Подробную информацию см. в подразделе **Варианты выбора режимов питания**.

Примечание. Максимальная мощность, поддерживаемая в режимах с регулировкой/преобразованием частоты, снижена на 30%.

- **Режим работы по обходной цепи** обеспечивает подачу на подключенное оборудование отфильтрованного и нестабилизированного питания.

Эксплуатация

Эксплуатационные свойства режимов питания и поддерживаемые режимы работы ИБП

Заданный режим питания ИБП обеспечивает основу для его функционирования с переключением между рабочими режимами в зависимости от происходящих событий, связанных с нарушением электропитания, и статуса ИБП. Каждому режиму питания соответствует уникальный набор рабочих параметров, которого придерживается ИБП в целях выполнения пользовательских настроек, обеспечивающих высокую эффективность работы и высокий КПД. Для наиболее перспективных целей применения имеются также дополнительные возможности регулировки и преобразования частоты. В приведенной ниже таблице перечисляются режимы работы ИБП, поддерживаемые каждым из режимов питания.

		РЕЖИМЫ РАБОТЫ ИБП ИБП автоматически переключает рабочие режимы в зависимости от заданного режима питания, а также текущих параметров электропитания и статуса ИБП.			
		Поддержка РЕЖИМА ОНЛАЙН	Поддержка ЭКОНОМИЧНОГО РЕЖИМА	Поддержка РЕЖИМА ПИТАНИЯ ОТ БАТАРЕЙ	Поддержка РЕЖИМА ПИТАНИЯ ОТ БАТАРЕЙ Поддержка АВТОМАТИЧЕСКОГО РЕЖИМА РАБОТЫ ПО ОБХОДНОЙ ЦЕПИ
ВАРИАНТЫ ВЫБОРА РЕЖИМОВ ПИТАНИЯ Выбранный вами режим питания обеспечивает возможность переключения ИБП между рабочими режимами согласно приведенному описанию	РЕЖИМА ПИТАНИЯ С АВТОМАТИЧЕСКОЙ НАСТРОЙКОЙ После непрерывной работы в РЕЖИМЕ ОНЛАЙН на протяжении одной недели без отключений электричества ИБП переходит на непрерывную работу в ЭКОНОМИЧНОМ РЕЖИМЕ.	ДА. В то время когда входное напряжение находится в пределах диапазона напряжений, установленного для работы в режиме ОНЛАЙН, но за пределами диапазона напряжений, установленного для режима работы по ОБХОДНОЙ ЦЕПИ.	ДА. В то время когда входное напряжение находится в пределах диапазона напряжений, установленного для ЭКОНОМИЧНОГО РЕЖИМА, и при отсутствии отключений электричества в течение одной недели.	ДА.	ДА. В случае отказа преобразователя ИБП при нахождении входного напряжения в пределах диапазона напряжений, установленного для режима работы по ОБХОДНОЙ ЦЕПИ.
	МАКС. КАЧЕСТВО ИБП непрерывно работает в РЕЖИМЕ ОНЛАЙН с целью поддержания высочайшего качества выходного питания, подаваемого на подключенное к нему оборудование.	ДА. В то время когда входное напряжение находится в пределах диапазона напряжений, установленного для работы в режиме ОНЛАЙН.	НЕТ.	ДА.	ДА. В случае отказа преобразователя ИБП при нахождении входного напряжения в пределах диапазона напряжений, установленного для режима работы по ОБХОДНОЙ ЦЕПИ.
	МАКС. КПД ИБП непрерывно работает в ЭКОНОМИЧНОМ РЕЖИМЕ при нахождении входного напряжения в пределах диапазона, установленного для режима работы по обходной цепи.	ДА. LV то время когда входное напряжение находится в пределах диапазона напряжений, установленного для работы в режиме ОНЛАЙН, но за пределами диапазона напряжений, установленного для режима работы по ОБХОДНОЙ ЦЕПИ.	ДА. В то время когда входное напряжение находится в пределах диапазона напряжений, установленного для работы в ЭКОНОМИЧНОМ РЕЖИМЕ.	ДА.	ДА. В случае отказа преобразователя ИБП при нахождении входного напряжения в пределах диапазона напряжений, установленного для режима работы по ОБХОДНОЙ ЦЕПИ.
	РЕГУЛИРОВКА ЧАСТОТЫ ИБП регулирует выходную частоту в пределах +/-0,05 Гц от номинала.	ДА. В то время когда входное напряжение находится в пределах диапазона напряжений, установленного для работы в режиме ОНЛАЙН.*	НЕТ.	ДА.	ДА. В случае отказа преобразователя ИБП при нахождении входного напряжения в пределах диапазона напряжений, установленного для режима работы по ОБХОДНОЙ ЦЕПИ.
	ПРЕОБРАЗОВАНИЕ ЧАСТОТЫ в 60 Гц ИБП преобразует входную частоту 50 Гц в 60 Гц. (+/-0,05 Гц)	ДА. В то время когда входное напряжение находится в пределах диапазона напряжений, установленного для работы в режиме ОНЛАЙН.**	НЕТ.	ДА.	НЕТ.
	ПРЕОБРАЗОВАНИЕ ЧАСТОТЫ в 50 Гц ИБП преобразует входную частоту 60 Гц в 50 Гц. (+/-0,05 Гц)	ДА. В то время когда входное напряжение находится в пределах диапазона напряжений, установленного для работы в режиме ОНЛАЙН.**	НЕТ.	ДА.	НЕТ.

* На ЖК-дисплее FREQUENCY REGULATION ("РЕГУЛИРОВКА ЧАСТОТЫ") отображается в качестве рабочего режима с информацией о снижении мощности.

** На ЖК-дисплее FREQUENCY CONVERSION ("ПРЕОБРАЗОВАНИЕ ЧАСТОТЫ") отображается в качестве рабочего режима с информацией о снижении мощности.

Варианты выбора и конфигурации на ЖК-дисплее передней панели ИБП

ГЛАВНОЕ МЕНЮ / ПОДМЕНЮ	ИЗОБРАЖЕНИЕ / ОПЦИИ НАСТРОЕК	ИЗОБРАЖЕНИЕ / ОПИСАНИЕ НАСТРОЕК
СТАТУС		
Статус нагрузки	<ul style="list-style-type: none"> Уровень нагрузки (%), кВт, кВА, А, КМ) Полезная мощность (%), кВт, кВА) 	Нагрузка на ИБП в процентах (%), киловаттах (кВт), киловольтамперах (кВА), амперах (А) и коэффициент мощности (КМ). Полезная мощность ИБП в процентах (%), киловаттах (кВт) и киловольтамперах (кВА).
Статус входных/выходных параметров	<ul style="list-style-type: none"> Входное напряжение и частота (В~, Гц) Выходное напряжение и частота (В~, Гц) Группа потребителей 1 (Вкл, Выкл) Группа потребителей 2 (Вкл, Выкл) 	Отображает информацию о статусе входных и выходных параметров ИБП, таких как входное/выходное напряжение (В~), частота (Гц), а также информацию о статусе электропитания групп розеток (Вкл/Выкл).
Статус энергопотребления	<ul style="list-style-type: none"> КПД (%) Ср. мощность (кВт•ч) Заданный режим питания 	Отображает коэффициент полезного действия ИБП в процентах (%), потребляемую подключенным оборудованием мощность в киловатт-часах (кВт•ч) и заданный режим питания.
Статус внутр. бат.	<ul style="list-style-type: none"> Дата установки (мм/дд/гггг) Дата истечения срока службы (мм/дд/гггг) 	Отображает дату установки запасного блока внутренних батарей и установленную пользователем дату истечения срока его службы.
Статус внеш. блока акк. бат.	<ul style="list-style-type: none"> Номер модели и серийный номер блока батарей Дата установки (мм/дд/гггг) Дата истечения срока службы (мм/дд/гггг) 	Отображает номер модели и серийный номер внешнего блока аккумуляторных батарей (только для БЛОКОВ АККУМУЛЯТОРНЫХ БАТАРЕЙ Tripp Lite SMART), дату установки и установленную пользователем дату истечения срока службы.
Схема электропитания	<ul style="list-style-type: none"> Просмотр функциональной блок-схемы ИБП 	Отображает режим работы ИБП в виде графической схемы.
УПРАВЛЕНИЕ		
Начать тестирование батарей	<ul style="list-style-type: none"> Запускает процесс ручного тестирования батарей 	Запускает кратковременный внутренний тест батарей ИБП с немедленным получением результатов "пройден/не пройден"
Сбросить срок службы батарей	<ul style="list-style-type: none"> Сбрасывает срок службы батарей 	Сбрасывает срок службы батарей на текущую дату. Используйте эту опцию после замены батарей не типа SMART.
Сбросить ошибку	<ul style="list-style-type: none"> Сбрасывает любые сообщения об ошибках 	Используйте эту опцию для стирания сообщений об ошибках ИБП.
Автотестирование батарей	<ul style="list-style-type: none"> Устанавливает регулярный интервал внутренних тестов батарей o Выключено o 4 недели (заводская настройка) o 13 недель o 26 недель 	Используйте эту опцию для запуска автоматического тестирования батарей ИБП с регулярными интервалами.
ЖУРНАЛ СОБЫТИЙ		
События с питанием от батарей	<ul style="list-style-type: none"> Счетчик событий (только для событий с питанием от батарей ИБП) Общее к-во минут (общее к-во минут работы в режиме питания от батарей) Последнее отключение электричества (дата) К-во дней до оповещения о замене батарей (дни) Статистика событий (дата, время и описание последних 20 зарегистрированных событий) 	Отображает сводный перечень всех событий с ПИТАНИЕМ ОТ БАТАРЕЙ, когда ИБП переключался в режим питания от батарей при возникновении того или иного состояния, защиту от которого он обеспечивает. В статистике событий перечисляются 20 последних событий с питанием от батарей. При появлении последующих оповещений самые старые записи автоматически удаляются.
Все события	<ul style="list-style-type: none"> Счетчик событий (все события) Последнее событие (дата) Журнал регистрации дат/времени Статистика событий (дата, время и описание каждого зарегистрированного события) 	Отображает сводный перечень всех зарегистрированных событий. В статистике событий перечисляются 20 последних событий. При появлении последующих оповещений самые старые записи автоматически удаляются.
Сбросить события с питанием от батарей	<ul style="list-style-type: none"> Сбрасывает только события с питанием от батарей 	Сбрасывает все данные, выведенные на группу экранов событий с питанием от батарей.
Сбросить все события	<ul style="list-style-type: none"> Сбрасывает все события 	Сбрасывает все данные, выведенные на группу экранов всех событий.
НАСТРОЙКИ		
Начальная установка	Система <ul style="list-style-type: none"> Текущая дата (отобразить, установить дату) Текущее время (отобразить, установить время) Звуковая сигнализация (включить, отключить) Язык (выбрать) 	Отображает, устанавливает и сбрасывает дату, время, статус звуковой сигнализации и языковые настройки. Примечание. Настройка Audible Alarm DISABLE ("ОТКЛЮЧИТЬ звуковую сигнализацию") предотвращает подачу только сигналов о перебоях электропитания и рабочих отказах; при этом ИБП всегда подает звуковой сигнал ("писк") для подтверждения приема данных, вводимых пользователем с помощью кнопок перемещения ЖК-дисплея на передней панели.
	Выходное напряжение <ul style="list-style-type: none"> • 200 • 208 • 220 • 230 • 240 	Используйте опцию SETTINGS / BASIC / OUTPUT VOLTAGE ("НАСТРОЙКИ / ОСНОВНЫЕ / ВЫХОДНОЕ НАПРЯЖЕНИЕ") для отображения или установки номинального значения выходного напряжения ИБП (изменения вступают в силу после следующего перезапуска).

ГЛАВНОЕ МЕНЮ / ПОДМЕНЮ	ИЗОБРАЖЕНИЕ / ОПЦИИ НАСТРОЕК	ИЗОБРАЖЕНИЕ / ОПИСАНИЕ НАСТРОЕК
НАСТРОЙКИ		
Начальная установка (продолжение)	<p>Режим питания:</p> <ul style="list-style-type: none"> С автоматической настройкой С максимальным КПД С максимальным качеством С регулировкой частоты С преобразованием частоты в 60 Гц С преобразованием частоты в 50 Гц <p>Батарея:</p> <ul style="list-style-type: none"> Настройка внешних батарей <ul style="list-style-type: none"> Настроить через ИБП Настроено через ПК Замена батарей Предупредительный сигнал об истечении срока службы батарей 	<p>Используйте опцию SETTINGS / BASIC / POWER STRATEGY (“НАСТРОЙКИ / ОСНОВНЫЕ / РЕЖИМ ПИТАНИЯ”) для отображения или установки режима питания ИБП.</p> <p>Более подробную информацию об имеющихся вариантах режимов питания см. в подразделе “Варианты выбора режимов питания” раздела “Эксплуатация”.</p>
Дополнительные настройки	<p>Система:</p> <ul style="list-style-type: none"> Яркость дисплея <ul style="list-style-type: none"> Высокая Средняя (заводская настройка) Низкая Уменьшение яркости подсветки: введите значение от 10 до 120 секунд (заводская установка: 60 секунд) Пароль: установите пароль из 4 цифр (заводская настройка: 0000) Сброс на заводские настройки (сбрасывает все настройки ИБП на заводские значения, включая настройки конфигурации батарей) 	<p>Используйте опцию SETTINGS / ADVANCED / SYSTEM (“НАСТРОЙКИ / ДОПОЛНИТЕЛЬНЫЕ / СИСТЕМА”) для установки яркости дисплея, времени уменьшения яркости подсветки дисплея и пароля или сброса всех настроек на заводские значения.</p>
	<p>Вход/выход:</p> <ul style="list-style-type: none"> Уровень срабатывания сигнала о перегрузке: введите значение от 5 до 105% (заводская настройка: 100%) Задать действие в случае отказа (реакцию ИБП на отказ) <ul style="list-style-type: none"> Перейти на обходную цепь (заводская настройка) Перейти в режим ожидания Нижнее пороговое значение для режима работы по обходной цепи: введите значение от -5% до -20% (заводская настройка: -15%) Верхнее пороговое значение для режима работы по обходной цепи: введите значение от +5% до +20% (заводская настройка: +10%) 	<p>Используйте опцию SETTINGS / ADVANCED / IN-OUT (“НАСТРОЙКИ / ДОПОЛНИТЕЛЬНЫЕ / ВХОД-ВЫХОД”) для установки значения выходной нагрузки ИБП в процентах, при котором происходит срабатывание предупредительного сигнала о перегрузке.</p> <p>Устанавливает реакцию ИБП на состояния неисправности, требующие выхода ИБП из режима двойного преобразования. Опция GO TO BYPASS (“ПЕРЕЙТИ НА ОБХОДНУЮ ЦЕПЬ”) обеспечивает наличие переменного тока на выходе (в течение всего времени, пока входное напряжение находится между верхним и нижним пороговыми значениями для режима работы по обходной цепи). Опция GO TO STANDBY (“ПЕРЕЙТИ В РЕЖИМ ОЖИДАНИЯ”) обеспечивает отключение переменного тока на выходе ИБП в условиях неисправности. Задает минимально допустимое входное напряжение для работы по обходной цепи.</p> <p>Задает максимально допустимое входное напряжение для работы по обходной цепи.</p>
	<p>Вкл/выкл:</p> <ul style="list-style-type: none"> “Холодный” старт <ul style="list-style-type: none"> Включено (заводская настройка) Выключено Автоматический перезапуск <ul style="list-style-type: none"> Включено (заводская настройка) Выключено Задержка автоматического перезапуска <ul style="list-style-type: none"> Введите значение от 0 до 60 секунд (заводская настройка: 0 секунд) Энергосбережение <ul style="list-style-type: none"> Введите значение от 0 до 100% Выключено (заводская настройка) Выключенное состояние <ul style="list-style-type: none"> Режим ожидания Работа по обходной цепи (заводская настройка) Мин. заряд батарей для перезапуска <ul style="list-style-type: none"> Введите значение от 10 до 90% Выключено (заводская настройка) 	<p>Используйте опцию SETTINGS / ADVANCED / ON-OFF (“НАСТРОЙКИ / ДОПОЛНИТЕЛЬНЫЕ / ВКЛ-ВЫКЛ”) для:</p> <p>Разрешение “холодного” старта обеспечивает возможность автоматического переключения ИБП в режим питания от батарей при отключении электричества. Разрешение автоматического перезапуска обеспечивает возможность автоматического переключения ИБП обратно в защищенный рабочий режим при восстановлении электропитания.</p> <p>Наличие задержки автоматического перезапуска ИБП обеспечивает принудительное ожидание в течение 0-60 секунд перед автоматическим перезапуском при восстановлении электропитания. Для использования данной функции требуется разрешение автоматического перезапуска при восстановлении электропитания. Функция энергосбережения обеспечивает возможность автоматического отключения ИБП при непрерывном сохранении уровня выходной нагрузки ниже установленного порога в течение 5 минут.</p> <p>Настройка на работу по обходной цепи в выключенном состоянии позволяет обеспечивать на выходе ИБП нестабилизированное сетевое электропитание (в диапазоне между верхним и нижним пороговыми значениями для режима работы по обходной цепи) во время его нахождения в выключенном состоянии. Наличие минимального уровня заряда батарей для перезапуска ИБП обеспечивает принудительное ожидание момента перезарядки батарей до установленного процентного уровня перед автоматическим перезапуском.</p> <p><i>Примечание.</i> Если уровень заряда батарей находится ниже минимально установленного порога для перезапуска, то запуск ИБП может быть произведен вручную посредством нажатия кнопки питания.</p> <p>Для использования данной функции требуется разрешение автоматического перезапуска при восстановлении электропитания.</p>

ГЛАВНОЕ МЕНЮ / ПОДМЕНЮ	ИЗОБРАЖЕНИЕ / ОПЦИИ НАСТРОЕК	ИЗОБРАЖЕНИЕ / ОПИСАНИЕ НАСТРОЕК
НАСТРОЙКИ		
Дополнительные настройки (продолжение)	Питание от батарей: <ul style="list-style-type: none"> • Оповещение о низком уровне заряда батарей <ul style="list-style-type: none"> ○ Введите значение от 10 до 90% (заводская настройка: 20%) • Отключение через установленное время <ul style="list-style-type: none"> ○ Введите значение 15, 30, 45 сек. или от 1 до 30 мин. ○ Выключено (заводская настройка) • Отключение при низком уровне заряда батарей <ul style="list-style-type: none"> ○ Введите значение от 5 до 100% ○ Выключено (заводская настройка) • Задержка сигнализации перехода в режим питания от батарей <ul style="list-style-type: none"> ○ Введите значение от 0 до 120 секунд (заводская настройка: 5 секунд) • Штатное отключение оборудования <ul style="list-style-type: none"> ○ Необходимо (заводская настройка) ○ Прерывание допустимо 	<p>Позволяет ИБП направить пользователю оповещение о низком уровне заряда батарей в случае разрядки последних до установленного уровня заряда при отключении электричества.</p> <p>Функция отключения через установленное время позволяет установить максимальное время работы от батарей в секундах или минутах, которое ИБП будет обеспечивать при отключении электричества. Для установки максимально возможного времени работы от батарей используйте настройку DISABLE (“ВЫКЛЮЧЕНО”).</p> <p>Функция отключения при низком уровне заряда батарей позволяет установить максимальную степень разряда батарей до момента отключения ИБП по причине падения уровня заряда батарей. Использование настройки DISABLE (“ВЫКЛЮЧЕНО”) позволяет батареям разряжаться до 0% перед отключением ИБП.</p> <p>Настройка Веер Delay (“Задержка звукового сигнала”) обеспечивает возможность задержки срабатывания звуковой сигнализации, предотвращающей подачу сигнала на время до 120 секунд при кратковременных отключениях электричества.</p> <p>Перед отключением ИБП последний передает подключенным к нему системам сообщение о предстоящем отключении. Использование настройки INTERRUPT OK (“ПРЕРЫВАНИЕ ДОПУСТИМО”) позволяет прервать процесс отключения в случае восстановления электропитания после отправки сообщения о предстоящем отключении.</p>
	Настройки USB/DB9: <ul style="list-style-type: none"> • Настройки DB9 <ul style="list-style-type: none"> ○ Выходные контакты 1 и 5 <ul style="list-style-type: none"> - Питание от батарей (заводская настройка) - Работа по обходной цепи - Выходное питание включено - Низкий заряд батарей ○ Выходные контакты 8 и 5 <ul style="list-style-type: none"> - Питание от батарей - Работа по обходной цепи - Выходное питание включено - Низкий заряд батарей (заводская настройка) ○ Входные контакты 3 и 9 <ul style="list-style-type: none"> - Отключение (заводская настройка) - Выходное питание отключено - Перезагрузка - Выходное питание включено - Переключение питания • Потеря сигнала на входе USB <ul style="list-style-type: none"> ○ Начальная установка режима питания от сети <ul style="list-style-type: none"> - Никаких действий (заводская настройка) - Перезагрузить ИБП после задержки - Перезагрузить потребителя 1 после задержки - Перезагрузить потребителя 2 после задержки ○ Начальная установка режима питания от батарей <ul style="list-style-type: none"> - Работать до установленного низкого уровня заряда батарей (заводская настройка) - Отключиться после задержки ○ Таймер задержки при потере сигнала на входе USB <ul style="list-style-type: none"> - Введите значение от 10 до 60 секунд - Заводская настройка: 30 секунд 	<p>ИБП будет сигнализировать о выбранном состоянии путем закорачивания контактов 1 и 5 порта DB9.</p> <p>ИБП будет сигнализировать о выбранном состоянии путем закорачивания контактов 8 и 5 порта DB9.</p> <p>ИБП будет производить выбранное действие при закорачивании контактов 3 и 9 порта DB9 в течение как минимум 3,8 сек.</p> <p>Примечание относительно опции Reboot (“Перезагрузка”) (перезагрузка по истечении 30 секунд с момента отключения выходного питания): обратите внимание на то, что для выполнения перезагрузки контакты должны быть закорочены в течение как минимум 3,8 сек. Перезагрузка производится ровно через 3,8 сек. Если контакты остаются закороченными на протяжении более чем 3,8 сек, каких-либо дополнительных действий не требуется. После прекращения короткого замыкания ИБП не производит каких-либо действий.</p> <p>Опция Power Toggle (“Переключение питания”) предназначена для поддержания устройства в запитанном состоянии в течение всего времени, когда указанные контакты не закорочены, и в обесточенном состоянии в течение всего времени, когда они закорочены. Обратите внимание на то, что этот входной сигнал не может обеспечить запитывание устройства из выключенного состояния до момента подачи на его вход переменного тока с допустимыми параметрами (данная функция не обеспечивает принудительного “холодного” пуска). Для запитывания устройства указанные контакты должны оставаться в незакороченном состоянии в течение как минимум 3,8 сек при допустимых параметрах переменного тока, подаваемого на вход. Для обесточивания устройства указанные контакты должны оставаться в закороченном состоянии в течение как минимум 3,8 сек.</p> <p>ИБП производит выбранное действие в случае потери сигнала от подключенного через порт USB устройства в режиме питания от сети на установленный период времени.</p> <p>ИБП производит выбранное действие в случае потери сигнала от подключенного через порт USB устройства в режиме питания от батарей на установленный период времени.</p> <p>Данный элемент управления устанавливает длительность задержки после потери сигнала на входе USB до начала выбранного действия в режиме питания от сети/батарей.</p>
ОБЩАЯ ИНФОРМАЦИЯ		
Сведения об ИБП	Номер модели ИБП, серийный номер ИБП, дата установки ИБП	Дата установки ИБП автоматически фиксируется устройством по истечении 2 часов непрерывной работы.
Сетевой ID	Прошивка карта Web для управления оборудованием, адрес IPv4, адрес IPv6, MAC-адрес	
Прошивка	Прошивки ИБП	

Настройка внешнего блока аккумуляторных батарей

ИБП Tripp Lite SmartOnline INT рассчитаны на подключение внешних блоков аккумуляторных батарей для продления времени их работы. Для того чтобы ИБП обеспечивал эффективные уровни зарядки и точно выполнял предписания относительно времени своей работы в целях оптимизации времени работы сети перед отправкой сообщений об автоматическом отключении, после установки внешних блоков аккумуляторных батарей требуется их настройка на конкретный ИБП.

Существуют 3 способа настройки внешних блоков аккумуляторных батарей на конкретный ИБП, которые применяются в зависимости от выбранного блока батарей и количества таких блоков, подключаемых к ИБП. Некоторые конфигурации блоков аккумуляторных батарей могут требовать использования более чем одного способа настройки.

ВНЕШНИЕ БАТАРЕИ могут настраиваться на ИБП...	...АВТОМАТИЧЕСКИ (при использовании блоков аккумуляторных батарей SMART)	...ВРУЧНУЮ (с использованием ЖК-экрана)	...с использованием ПРОГРАММНОГО ОБЕСПЕЧЕНИЯ НАСТРОЙКИ ВНЕШНИХ БАТАРЕЙ
Совместимость блоков аккумуляторных батарей	ИБП может автоматически распознавать до 6 подключенных к нему БЛОКОВ АККУМУЛЯТОРНЫХ БАТАРЕЙ SMART.	Для настройки БЛОКОВ АККУМУЛЯТОРНЫХ БАТАРЕЙ NON-SMART и любых дополнительных БЛОКОВ АККУМУЛЯТОРНЫХ БАТАРЕЙ SMART помимо автоматически распознаваемых 6 штук может использоваться ЖК-экран.	Для настройки ИБП на любое поддерживаемое количество внешних блоков аккумуляторных батарей SMART и NON-SMART может использоваться программное обеспечение настройки внешних батарей.

Блоки аккумуляторных батарей Tripp Lite SMART снабжены разъемом для передачи данных по кабелю, обеспечивающим возможность автоматического распознавания и настройки до 6 блоков аккумуляторных батарей SMART, подключенных к ИБП. Традиционно выпускавшиеся компанией Tripp Lite блоки аккумуляторных батарей NON-SMART также подходят для применения в целях, связанных с продлением времени работы, но требуют настройки пользователем через ЖК-экран передней панели или с помощью ПРОГРАММНОГО ОБЕСПЕЧЕНИЯ НАСТРОЙКИ ВНЕШНИХ БАТАРЕЙ.

Подходящие модели внешних блоков аккумуляторных батарей SmartOnLine LCD SMART и не типа SMART

	SUINT1000LCD2U	SUINT1500LCD2U	SUINT2200LCD2U	SUINT3000LCD2U / SU3000LCD2UHV
Поддерживаемые модели блоков аккумуляторных батарей "SMART"	BP24V36-2US	BP36V27-2US	BP48V27-2US	BP72V18-2US
Поддерживаемые модели традиционных блоков аккумуляторных батарей не типа "SMART"	BP24V15RT2U (не более 1 шт.) BP24V28-2U (не более 1 шт.) BP24V70-3U	BP36V15-2U (не более 1 шт.) BP36V42-3U	BP48V24-2U (не более 1 шт.) BP48V60RT3U	BP72V15 (не более 1 шт.) BP72V28RT3U

Настройка БЛОКОВ АККУМУЛЯТОРНЫХ БАТАРЕЙ SMART и не типа SMART через ЖК-экран передней панели

Подключение до 6 БЛОКОВ АККУМУЛЯТОРНЫХ БАТАРЕЙ SMART к ИБП

Каждый ИБП серии SmartOnline имеет специализированный разъем для подключения БЛОКОВ АККУМУЛЯТОРНЫХ БАТАРЕЙ SMART, через который к нему может подключаться до 6 блоков аккумуляторных батарей SMART для их автоматического распознавания и настройки. Блоки аккумуляторных батарей SMART снабжены разъемом для передачи данных по кабелю, через который они подключаются к имеющемуся в ИБП порту обнаружения блоков аккумуляторных батарей для их автоматического распознавания и настройки источником бесперебойного питания.


Для настройки ИБП на использование с БЛОКАМИ АККУМУЛЯТОРНЫХ БАТАРЕЙ SMART в количестве до 6 штук просто подключите поставляемые в комплекте кабели ПИТАНИЯ и ПЕРЕДАЧИ ДАННЫХ между ИБП и первым БЛОКОМ АККУМУЛЯТОРНЫХ БАТАРЕЙ SMART. Затем подключите кабели ПИТАНИЯ и ПЕРЕДАЧИ ДАННЫХ, предназначенные для других БЛОКОВ АККУМУЛЯТОРНЫХ БАТАРЕЙ SMART, к следующему блоку. ИБП автоматически распознает и настроит до 6 подключенных к нему БЛОКОВ АККУМУЛЯТОРНЫХ БАТАРЕЙ SMART.

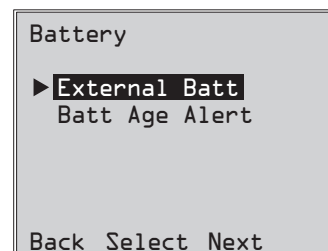
Подключение более чем 6 БЛОКОВ АККУМУЛЯТОРНЫХ БАТАРЕЙ SMART к ИБП

ИБП серии SmartOnline могут автоматически распознавать до 6 БЛОКОВ АККУМУЛЯТОРНЫХ БАТАРЕЙ SMART согласно приведенному выше описанию. ИБП может быть настроен и более чем на 6 БЛОКОВ АККУМУЛЯТОРНЫХ БАТАРЕЙ SMART путем представления ему всех дополнительных БЛОКОВ SMART в качестве не типа SMART. При настройке ИБП с более чем 6 БЛОКАМИ АККУМУЛЯТОРНЫХ БАТАРЕЙ (ББ) SMART следует настраивать ББ №1-6 описанным выше способом с использованием порта обнаружения ББ. Затем производится настройка БЛОКОВ АККУМУЛЯТОРНЫХ БАТАРЕЙ SMART №7 и последующих, а также любых других поддерживаемых моделей блоков аккумуляторных батарей, подключаемых как БЛОКИ АККУМУЛЯТОРНЫХ БАТАРЕЙ не типа SMART. Более подробную информацию см. в разделе "ДОБАВЛЕНИЕ блоков аккумуляторных батарей не типа SMART".


Добавление БЛОКОВ АККУМУЛЯТОРНЫХ БАТАРЕЙ к ИБП вручную (для блоков аккумуляторных батарей SMART и не типа SMART)

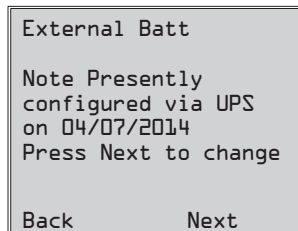
Если вы подключаете к ИБП более 6 блоков аккумуляторных батарей SMART, которые ИБП может распознать автоматически, ИЛИ поддерживаемые им блоки аккумуляторных батарей не типа SMART, то их настройка может быть произведена через ЖК-интерфейс передней панели ИБП. Сначала подключите блок аккумуляторных батарей к ИБП через разъемы питания согласно описанию, изложенному в документации к блоку аккумуляторных батарей. Затем, используя настроенные экраны SETTINGS / BASIC SETTINGS / BATTERY ("НАСТРОЙКИ / ОСНОВНЫЕ НАСТРОЙКИ / БАТАРЕЯ"), выберите опцию меню EXTERNAL BATT ("ВНЕШНЯЯ БАТАРЕЯ") (указания по входу в данный раздел см. в подразделах "Функции кнопок передней панели" и "Варианты выбора и настройки через ЖК-дисплей передней панели" раздела "Эксплуатация").

1 В меню SETTINGS / BASIC SETTINGS / BATTERY ("НАСТРОЙКИ / ОСНОВНЫЕ НАСТРОЙКИ / БАТАРЕЯ") выберите опцию EXTERNAL BATT ("ВНЕШНЯЯ БАТАРЕЯ"), а затем нажмите NEXT ("ДАЛЕЕ") .

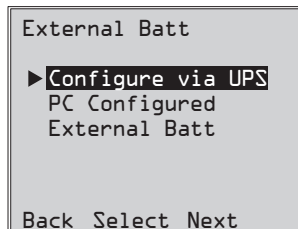


Эксплуатация

- 2** На ЖК-экране отображаются текущие настройки конфигурации. Для изменения конфигурации нажмите NEXT ("ДАЛЕЕ") .



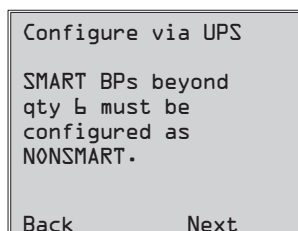
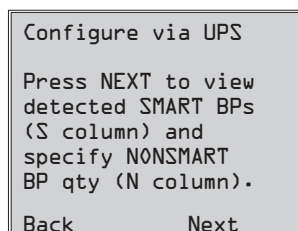
- 3** Затем выберите опцию CONFIGURE VIA UPS ("НАСТРОИТЬ ЧЕРЕЗ ИБП") и нажмите NEXT ("ДАЛЕЕ") .








- 4** На ЖК-экране появится подсказка с предложением перейти к следующему экрану, где может быть выполнена настройка блоков аккумуляторных батарей SMART и не типа SMART.

Затем нажмите NEXT ("ДАЛЕЕ") .

Примечание. Для отображения всего текста дисплей будет циклически переключаться между двумя экранами.



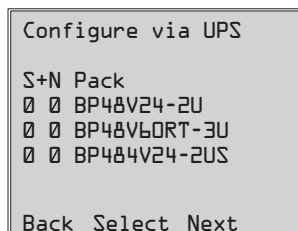
- 5** На ЖК-экране будет выведен список поддерживаемых моделей внешних блоков аккумуляторных батарей, которому предшествует столбец с указанием номеров настраиваемых внешних блоков аккумуляторных батарей SMART и не типа SMART. К тому времени БЛОКИ АККУМУЛЯТОРНЫХ БАТАРЕЙ SMART, распознанные через ПОРТ ОБНАРУЖЕНИЯ ББ, уже будут перечислены в соответствующем количестве от 1 до 6 в столбце "S" данного экрана.

Для настройки батарей не типа SMART и любых батарей SMART помимо автоматически распознаваемых 6 штук используйте кнопки UP/DOWN ("ВВЕРХ/ВНИЗ")   и NEXT ("ДАЛЕЕ") . После настройки последнего блока аккумуляторных батарей из перечисленных в списке нажмите BACK ESC ("НАЗАД")  для редактирования своей записи или APPLY ("ПРИМЕНИТЬ")  для ввода новых значений.


Примечание. В столбце "S" отображается количество настроенных блоков аккумуляторных батарей SMART, а в столбце "N" – количество настроенных блоков аккумуляторных батарей не типа SMART.

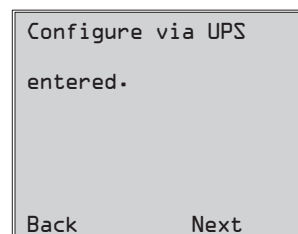
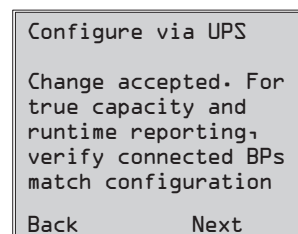
Примечание. Нажатие на кнопки UP ("ВВЕРХ") и DOWN ("ВНИЗ") приводит к изменению значения, указанного в столбце "N". Нажатие кнопки NEXT ("ДАЛЕЕ") перемещает курсор на одну строку вниз.


Примечание. При достижении последней строки кнопку NEXT ("ДАЛЕЕ") сменяется на APPLY ("ПРИМЕНИТЬ").



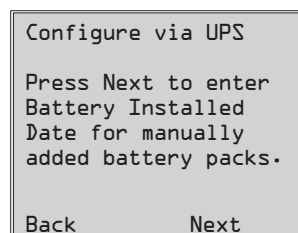
- 6** После подключения к ИБП введенных вручную блоков аккумуляторных батарей не типа SMART на ЖК-дисплее появляется сообщение о том, что изменение принято, и предложение проверить, соответствуют ли внешние блоки аккумуляторных батарей конфигурации ИБП.

Нажмите NEXT ("ДАЛЕЕ")  для перехода к следующему экрану.



- 7** На ЖК-экране появится предложение нажать NEXT ("ДАЛЕЕ")  для ввода даты установки батареи (для внешних блоков аккумуляторных батарей, настроенных вручную).

На следующем экране вы сможете выбрать в качестве установочной текущую дату или ввести какую-либо дату установки из прошедшего времени в том случае, если ББ был добавлен ранее.



Разъемы для подключения опциональных элементов

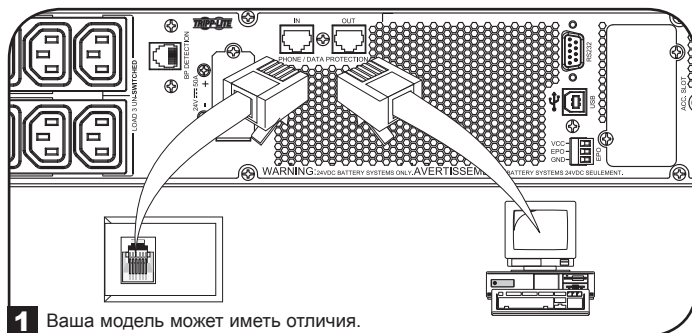
Ваш ИБП будет функционировать надлежащим образом и без этих подключений.

1 Подавление выбросов напряжения в телефонной линии или телефонной линии/локальной сети

Ваш ИБП оснащен разъемами для защиты от выбросов напряжения в телефонной линии.* Используя соответствующие телефонные или сетевые кабели, соедините вашу розетку с разъемом ИБП, имеющим обозначение "IN" ("ВХОД"). Подключите свое оборудование к разъему ИБП с обозначением "OUT" ("ВЫХОД"). Убедитесь в том, что оборудование, подключаемое вами к разъему ИБП, также защищено от выбросов напряжения в сети переменного тока.

* Не совместимо с технологиями PoE (питание по кабелю витой пары).

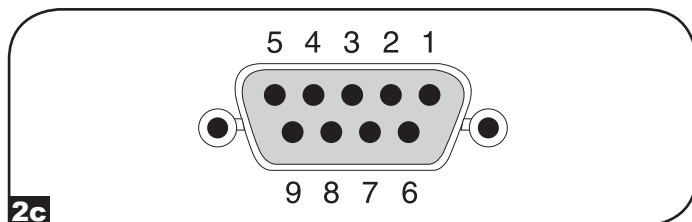
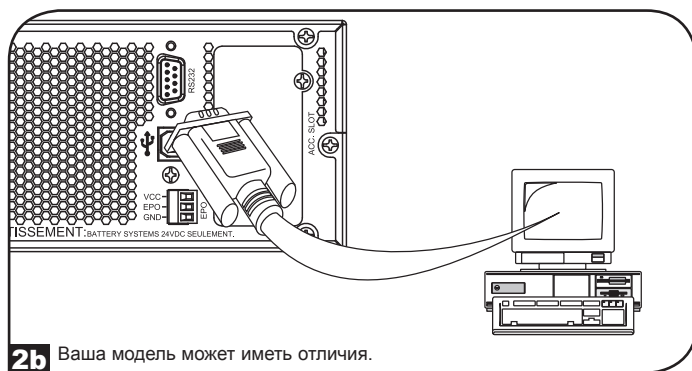
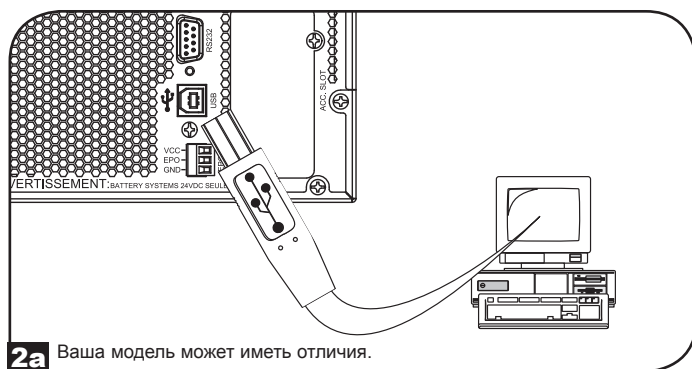
Примечание. Для входного и выходного портов подавления выбросов напряжения в телефонной линии используйте однотипные разъемы.



2 Коммуникационные порты USB и последовательные порты RS-232

Для соединения коммуникационного порта своего компьютера с коммуникационным портом ИБП используйте кабель USB (см. **2a**) и/или последовательный кабель RS-232 (см. **2b**) из комплекта поставки. Установите на свой компьютер программное обеспечение Tripp Lite PowerAlert, соответствующее его операционной системе. Ваш ИБП может иметь дополнительные коммуникационные порты, которые могут подключаться к дополнительным компьютерам с установленным на них программным обеспечением PowerAlert. Более подробную информацию см. в руководстве пользователя ПО PowerAlert. .

Коммуникационные порты с сухими контактами RS-232 **2c** имеют простую конструкцию, но для придания им необходимой конфигурации требуются некоторые знания в области электроники. Варианты разводки контактов порта RS-232 представлены на схеме. При низком уровне заряда батарей ИБП отправляет соответствующий сигнал посредством замыкания контактов 1 и 5. При отключении энергоснабжения ИБП отправляет сигнал посредством замыкания контактов 8 и 5. Для дистанционного отключения ИБП необходимо замкнуть контакты 3 и 9 как минимум на 3,8 сек. Настройка дополнительных функций этих контактов может производиться через ЖК-экран или коммуникационный порт карты Web для управления оборудованием.

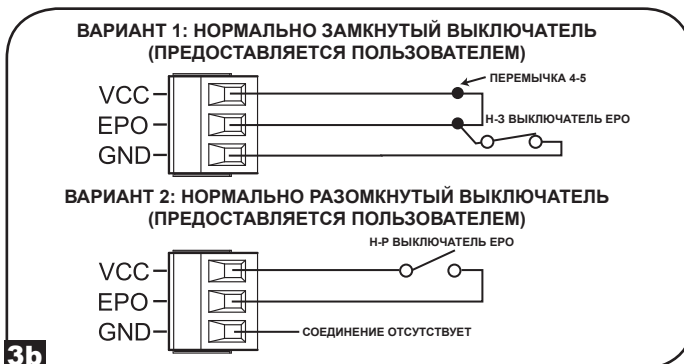
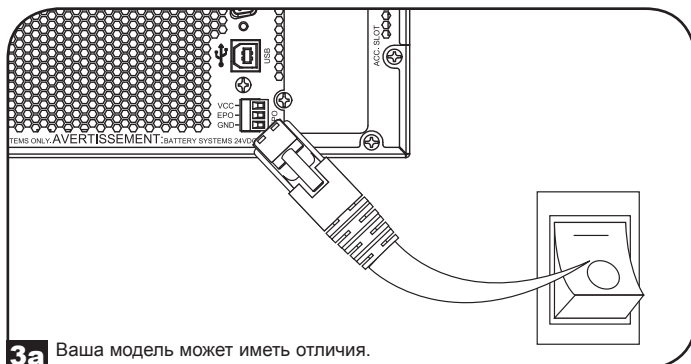


Разъемы для подключения опциональных элементов

3 Порт интерфейса EPO

Этот дополнительный функциональный элемент предназначен только для цепей, требующих наличия связи ИБП с системой аварийного отключения питания (EPO) того или иного объекта. При подключении ИБП к этой системе она обеспечивает возможность аварийного отключения преобразователя ИБП и блокирует переход на внутреннюю обходную цепь. Соедините порт EPO вашего ИБП (см. **3а**) с нормально замкнутым или нормально разомкнутым выключателем (в комплект поставки не входит) согласно принципиальной электрической схеме (см. **3б**).

Примечание. В случае использования выключателя EPO без фиксации последний необходимо удерживать в течение как минимум 1 секунды. На выключатели EPO с фиксацией данное требование не распространяется.



Состояние ИБП после срабатывания защиты EPO при наличии входного питания переменного тока с допустимыми параметрами:

Выход питания переменного тока	Статус ЖК-экрана	Статус светодиодных индикаторов
Не горит	EPO вкл.	Горит только индикатор входа питания переменного тока.

Для перезапуска ИБП после срабатывания защиты EPO при наличии входного питания переменного тока с допустимыми параметрами:

1. Убедитесь в том, что сообщение о срабатывании защиты EPO удалено или стерто.
2. Нажмите на кнопку POWER ON/OFF ("ПИТАНИЕ ВКЛ/ВЫКЛ") и удерживайте ее до звукового сигнала. После этого ИБП запустится в одном из предварительно заданных нормальных режимов работы.

Состояние ИБП после срабатывания защиты EPO при отсутствии входного питания переменного тока с допустимыми параметрами (режим питания от батарей):

Выход питания переменного тока	Статус ЖК-экрана	Статус светодиодных индикаторов
Не горит	EPO вкл.	Не горит

Для перезапуска ИБП после срабатывания защиты EPO при отсутствии входного питания переменного тока с допустимыми параметрами:

1. Убедитесь в том, что сообщение о срабатывании защиты EPO удалено или стерто.
2. Дождитесь полного отключения ЖК-дисплея.
3. Нажмите на кнопку POWER ON/OFF ("ПИТАНИЕ ВКЛ/ВЫКЛ") и удерживайте ее до звукового сигнала. После этого ИБП запустится в режиме питания от батарей.

Для перезапуска ИБП после срабатывания защиты EPO при наличии входного питания переменного тока с допустимыми параметрами:

1. Убедитесь в том, что сообщение о срабатывании защиты EPO удалено или стерто.
2. Дождитесь полного отключения ЖК-дисплея.
3. Снова подайте питание на вход переменного тока, нажмите на кнопку POWER ON/OFF ("ПИТАНИЕ ВКЛ/ВЫКЛ") и удерживайте ее до звукового сигнала. После этого ИБП запустится в одном из предварительно заданных нормальных режимов работы.

Примечание. В случае возобновления входного питания переменного тока до момента полного отключения ЖК-дисплея ИБП автоматически перезапускается в одном из предварительно заданных нормальных режимов работы от сети без использования кнопки POWER ON/OFF ("ПИТАНИЕ ВКЛ/ВЫКЛ").

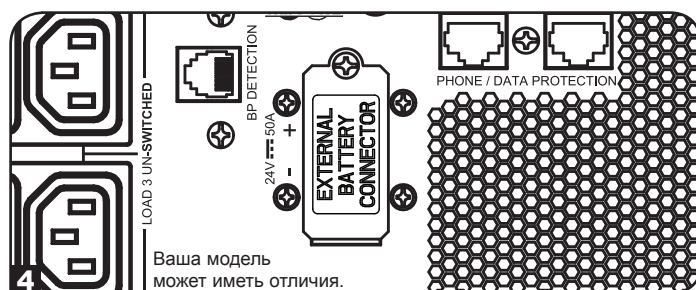
Разъемы для подключения опциональных элементов

4 Подключение внешних батарей

Информация о совместимых с вашим ИБП моделях блоков аккумуляторных батарей и их максимально допустимых количествах приведена в подразделе “Комплекующие для конкретных моделей” раздела “Краткое описание”. Убедитесь в том, что выбранный вами блок аккумуляторных батарей имеет напряжение, соответствующее указанному рядом с разъемом для подключения батарей к вашему ИБП. Подключение дополнительных внешних батарей увеличивает время зарядки, а также время работы. Все указания по установке и начальной настройке см. в руководстве пользователя блока аккумуляторных батарей. Убедитесь в том, что кабели полностью вставлены в соответствующие разъемы. При подключении батарей возможно незначительное искрообразование, что представляет собой нормальное явление. Не подключайте и не отключайте блоки аккумуляторных батарей во время работы ИБП в режиме питания от батарей.

ВНИМАНИЕ! Для обеспечения точного прогноза времени работы при отображении оставшегося времени на ЖК-дисплее и информационных экранах программного обеспечения при наличии подключенных внешних блоков аккумуляторных батарей вам необходимо настроить все подключенные блоки с использованием ЖК-дисплея передней панели или разработанного компанией Tripp Lite программного обеспечения настройки внешних батарей. См. подраздел “Настройка внешних блоков аккумуляторных батарей” раздела “Эксплуатация”.

ВНИМАНИЕ! Не вскрывать и не повреждать корпуса батарей. Вытекающий из них материал опасен для кожи и глаз. Кроме того, он может являться токсичным. При работе с батареями необходимо соблюдение следующих мер предосторожности: проверьте батарею на предмет случайного замыкания на землю. При обнаружении случайного замыкания отключите источник от заземляющего соединения. Прикосновение к любой части заземленной батареи может привести к смертельной опасности поражения электрическим током. Вероятность такого поражения может быть снижена в случае отключения заземления во время установки и технического обслуживания. (Это относится к оборудованию и дистанционно управляемым деталям батарей, не имеющим заземленной цепи питания).



Выявление и устранение неисправностей и журнал событий

В приведенной ниже таблице содержится разъяснение сообщений о неисправностях ИБП и предупредительных сообщений, доступных через журнал событий, выводимых на ЖК-экран или с помощью программного обеспечения PowerAlert, а также предлагаемые варианты устранения проблем по каждому сообщению о неисправности / предупредительному сообщению.

Неисправность/ предупредительный сигнал	Сообщение в заголовке ЖК-дисплея	Сообщение на ЖК-экране	Информация, отображаемая в журнале событий на ЖК-дисплее (тип события с меткой даты/времени)	Неисправность или предупреждение?	Дополнительные комментарии
Внутренние ошибки/неисправности ИБП:					
Низкое пусковое напряжение шины	Ошибка преобразователя 1	Ошибка преобразователя. Перезапустите ИБП. В случае сохранения возникшей проблемы обратитесь в компанию Tripp Lite.	мм/дд/гггг Ош. преобр. 1 чч:мм	Неисправность ИБП	
Избыточное напряжение на шине	Ошибка преобразователя 2	Ошибка преобразователя. Перезапустите ИБП. В случае сохранения возникшей проблемы обратитесь в компанию Tripp Lite.	мм/дд/гггг Ош. преобр. 2 чч:мм	Неисправность ИБП	
Недостаточное напряжение на шине	Ошибка преобразователя 3	Ошибка преобразователя. Перезапустите ИБП. В случае сохранения возникшей проблемы обратитесь в компанию Tripp Lite.	мм/дд/гггг Ош. преобр. 3 чч:мм	Неисправность ИБП	
Дисбаланс напряжения на шине	Ошибка преобразователя 4	Ошибка преобразователя. Перезапустите ИБП. В случае сохранения возникшей проблемы обратитесь в компанию Tripp Lite.	мм/дд/гггг Ош. преобр. 4 чч:мм	Неисправность ИБП	
Сбой плавного пуска преобразователя	Ошибка преобразователя 5	Ошибка преобразователя. Перезапустите ИБП. В случае сохранения возникшей проблемы обратитесь в компанию Tripp Lite.	мм/дд/гггг Ош. преобр. 5 чч:мм	Неисправность ИБП	
Избыточное напряжение преобразователя	Ошибка преобразователя 6	Ошибка преобразователя. Перезапустите ИБП. В случае сохранения возникшей проблемы обратитесь в компанию Tripp Lite.	мм/дд/гггг Ош. преобр. 6 чч:мм	Неисправность ИБП	
Недостаточное напряжение преобразователя	Ошибка преобразователя 7	Ошибка преобразователя. Перезапустите ИБП. В случае сохранения возникшей проблемы обратитесь в компанию Tripp Lite.	мм/дд/гггг Ош. преобр. 7 чч:мм	Неисправность ИБП	
Короткое замыкание преобразователя	Ошибка преобразователя 8	Короткое замыкание на выходе преобразователя. Устраните источник короткого замыкания на выходе ИБП.	мм/дд/гггг Ош. преобр. 8 чч:мм	Неисправность ИБП	
Ошибки/неисправности, связанные с батареей/зарядным устройством:					
Отказ зарядного устройства	Отказ зарядного устройства	В случае сохранения возникшей проблемы обратитесь в компанию Tripp Lite.	мм/дд/гггг Ош. зар. устр. 1 чч:мм	Предупреждение	Не работает зарядное устройство. Зарядный ток отсутствует.
Избыточный заряд	Избыточный заряд	В случае сохранения возникшей проблемы обратитесь в компанию Tripp Lite.	мм/дд/гггг Ош. зар. устр. 2 чч:мм	Предупреждение	Зарядное устройство работает, но зарядное напряжение слишком высоко.
Избыточное напряжение батарей	Избыт. напряжение батарей	Проверьте используемый тип батарей. В случае сохранения возникшей проблемы обратитесь в компанию Tripp Lite.	мм/дд/гггг Ош. бат. 1 чч:мм <i>Примечание. В случае отключения ИБП из-за "Ош. бат. 1" на экране журнала событий также фиксируется другое событие – "Откл. из-за ош. бат. 1".</i>	Неисправность ИБП	
Недостаточное напряжение батарей	Недостат. напряжение батарей	Проверьте используемый тип батарей. В случае сохранения возникшей проблемы обратитесь в компанию Tripp Lite.	мм/дд/гггг Ош. бат. 2 чч:мм <i>Примечание. В случае отключения ИБП из-за "Ош. бат. 2" на экране журнала событий также фиксируется другое событие – "Откл. из-за ош. бат. 2".</i>	Неисправность ИБП	
Батарея в плохом состоянии	Батарея в плохом состоянии	Перезапустите ИБП. В случае сохранения возникшей проблемы обратитесь в компанию Tripp Lite.	мм/дд/гггг Ош. бат. 3 чч:мм <i>Примечание. В случае отключения ИБП из-за "Ош. бат. 3" на экране журнала событий также фиксируется другое событие – "Откл. из-за ош. бат. 3".</i>	Предупреждение	
Низкий заряд батареи	Низкий заряд батареи	Сохраните свои данные до отключения ИБП.	мм/дд/гггг Низк. зар. бат. чч:мм <i>Примечание. В случае отключения ИБП из-за "Низкого заряда батарей" на экране журнала событий также фиксируется другое событие – "Откл. из-за низк. зар. бат.".</i>	Предупреждение	
Предупредительный сигнал об истечении срока службы внутренних батарей	Предупредительный сигнал об истечении срока службы батарей	Необходима замена внутренней батареи.	мм/дд/гггг Предупр. бат. 1 чч:мм	Предупреждение	
Предупредительный сигнал об истечении срока службы внешних батарей Smart	Предупредительный сигнал об истечении срока службы батарей	Может потребоваться замена внешней батареи Smart: {Серийный номер}.	мм/дд/гггг Предупр. бат. 2 чч:мм	Предупреждение	
Предупредительный сигнал об истечении срока службы внешних батарей не типа Smart	Предупредительный сигнал об истечении срока службы батарей	Необходима замена внешней батареи.	мм/дд/гггг Предупр. бат. 3 чч:мм	Предупреждение	
Заменена бат. Smart	Заменена бат. Smart	Количество блоков аккумуляторных батарей изменено месяц/дата/год час: мин. Время работы скорректировано. Если данное изменение не предполагалось, проверьте подключение кабелей передачи данных от батарей smart.	мм/дд/гггг ББ S заменен чч:мм	Предупреждение	

Выявление и устранение неисправностей и журнал событий

Неисправность/ предупредительный сигнал	Сообщение в заголовке ЖК-дисплея	Сообщение на ЖК- экране	Информация, отображаемая в журнале событий на ЖК-дисплее (тип события с меткой даты/ времени)	Неисправность или предупреждение?	Дополнительные комментарии
Ошибки/неисправности, связанные с нагрузкой/температурой:					
Неисправность в связи с перегревом	Неисправность в связи с перегревом	Проверьте эффективность продувания и работоспособность вентилятора ИБП. В случае сохранения возникшей проблемы обратитесь в компанию Tripp Lite.	мм/дд/гггг Перегрев чч:мм Примечание. При фактическом отключении устройства после возникновения неисправности в журнал событий вносится также следующая информация: мм/дд/гггг Перегрев SD чч:мм.	Неисправность ИБП	В момент достижения порога перегрева наступает событие "Перегрев", и при наличии переменного тока, в зависимости от установленного действия на случай неисправности, устройство переходит либо в режим работы по обходной цепи, либо в режим ожидания. При отсутствии переменного тока устройство переходит в режим отказа с отключением питания на выходе, а затем полностью выключается.
Перегрев (только предупреждение)	Перегрев	Проверьте эффективность продувания и работоспособность вентилятора ИБП. В случае сохранения возникшей проблемы обратитесь в компанию Tripp Lite.	мм/дд/гггг Перегрев чч:мм	Предупреждение	Это всего лишь порог предупреждения. На основании этого события устройство не должно предпринимать каких-либо действий, кроме его регистрации и подачи предупредительного сигнала.
Неисправность в связи с перегрузкой	Перегрузка	Уменьшите подключенную нагрузку. Перезапустите ИБП.	мм/дд/гггг Перегрузка чч:мм (при фактическом отключении устройства после возникновения неисправности в журнал событий вносится также следующая информация: мм/дд/гггг Откл. из-за перегрузки чч:мм).	Неисправность ИБП	В момент наступления перегрузки регистрируется событие "Перегрузка", и при наличии переменного тока, в зависимости от установленного действия на случай неисправности, устройство переходит либо в режим работы по обходной цепи, либо в режим ожидания. При отсутствии переменного тока устройство переходит в режим отказа с отключением питания на выходе, а затем полностью выключается. При перегрузке в этом режиме преднамеренного отключения устройства не происходит независимо от размера нагрузки. Примечание. При перегрузке возможно срабатывание автоматического выключателя.
Предупреждение о перегрузке	Предупредительная сигнализация перегрузки	Уменьшите подключенную нагрузку.	мм/дд/гггг СИГНАЛ перегрузки чч:мм	Предупреждение	Предупреждение о перегрузке срабатывает при уровне нагрузки от 100 до 105% или при достижении предварительно установленного уровня предупреждения о перегрузке.
Другие предупреждения:					
ЕРО вкл.	ЕРО вкл.	Проверьте выключатель ЕРО. В случае сохранения возникшей проблемы обратитесь в компанию Tripp Lite.	мм/дд/гггг ЕРО SD чч:мм	Предупреждение	
Выход за пределы диапазона работы по обходной цепи	Ошибка диапазона работы по обходной цепи	Проверьте напряжение и частоту на входе питания переменного тока. В случае сохранения возникшей проблемы обратитесь в компанию Tripp Lite.	мм/дд/гггг Ош. обх. цепи 1 чч:мм	Предупреждение	Входное напряжение переменного тока может соответствовать предварительно установленному диапазону для работы по обходной цепи. Более подробную информацию см. в разделе "Эксплуатация".
Неустойчивая частота при работе по обходной цепи	Ошибка частоты обх. цепи	Проверьте частоту на входе питания переменного тока. В случае сохранения возникшей проблемы обратитесь в компанию Tripp Lite.	мм/дд/гггг Ош. обх. цепи 2 чч:мм	Предупреждение	
Питание от батарей	Н/П	Н/П	мм/дд/гггг Пит. от бат. чч:мм Примечание. В случае отключения ИБП при работе в режиме питания от батарей по истечении предварительно установленного времени задержки сообщение "Питание от батарей" сменяется на "Откл. через уст. время", и производится регистрация другого события.	Нормальный режим	
Сбой питания переменного тока	Н/П	Н/П	мм/дд/гггг Сбой питания переменного тока чч:мм Примечание. При восстановлении питания переменного тока с допустимыми параметрами событие "Сетевое питание вкл." регистрируется отдельно.	Нормальный режим	

Замена внутренних батарей

Дверца батарейного отсека: в обычных условиях эксплуатации оригинальная батарея вашего ИБП прослужит несколько лет. Замена батареи должна производиться только квалифицированным сервисным персоналом. См. пункт “Предупреждения относительно батарей” в разделе “Обеспечение безопасности”. Информацию о сменной батарее вы можете найти на странице www.tripplite.com/support/battery/index.cfm. Для нахождения подходящей сменной батареи для своего ИБП см. представленную ниже таблицу:

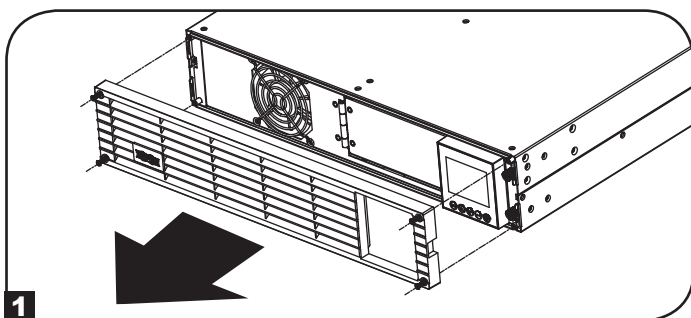
Модель ИБП	Запасной блок батарей
SUINT1000LCD2U	RBC24S
SUINT1500LCD2U	RBC36S
SUINT2200LCD2U	RBC48S
SUINT3000LCD2U / SU3000LCD2UHV	RBC72S

Порядок извлечения и установки батарей представлен на следующих схемах.

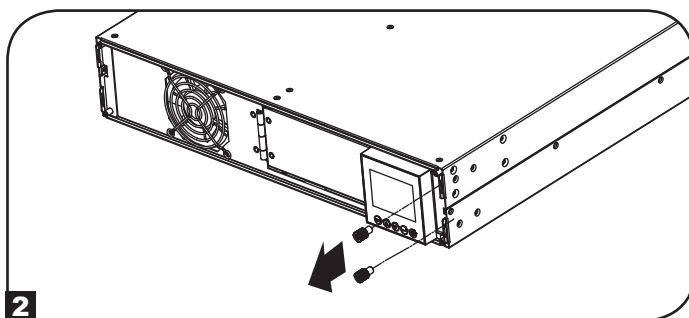
Все модели

Примечание. На схемах показана модель SUINT1000LCD2U, однако порядок действий одинаков для всех устройств.

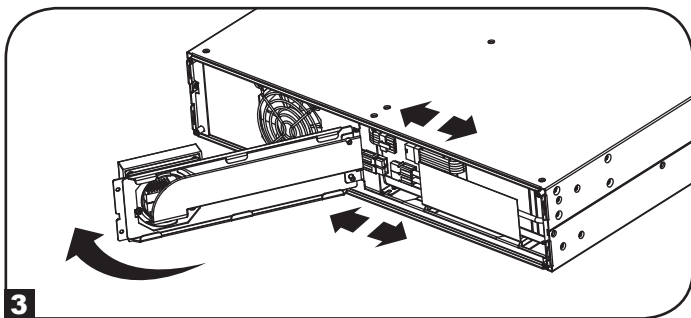
1 Выверните четыре лицевых винта из лицевой панели и снимите ее.



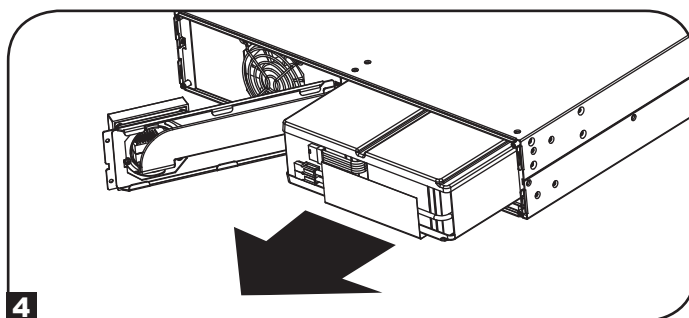
2 Ослабьте два винта, фиксирующие лицевую панель.



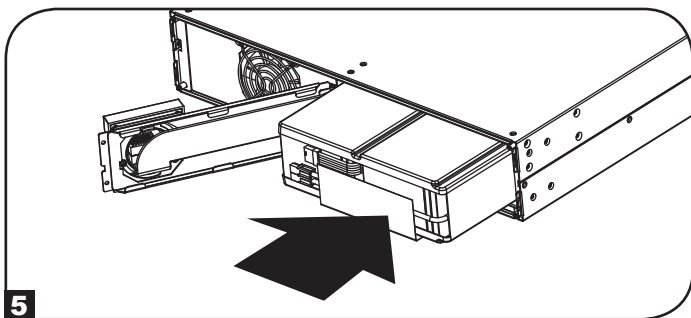
3 Откройте лицевую панель. Отсоедините кабель питания и кабель связи батареи.



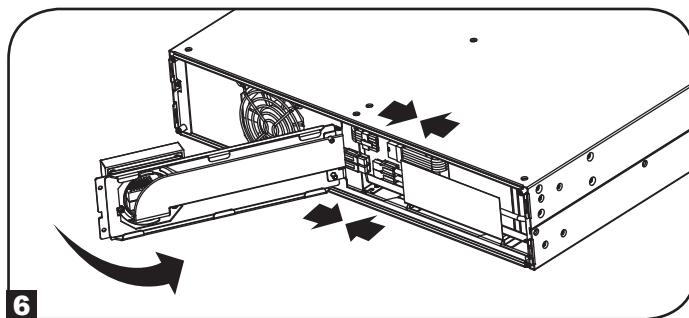
4 Извлеките старый блок батарей.



5 Установите новый блок батарей в ИБП на то же место, где располагался первоначальный блок.

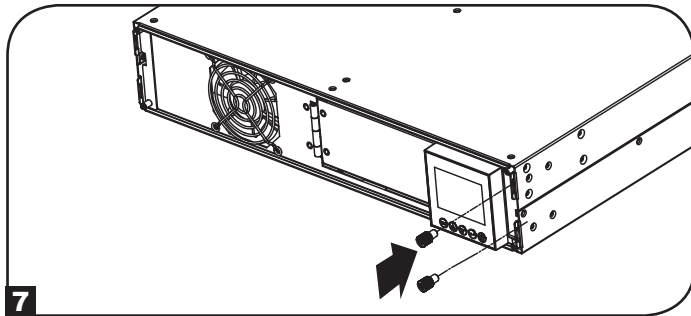


6 Подсоедините обратно кабель питания и кабель связи батареи. Закройте лицевую панель.

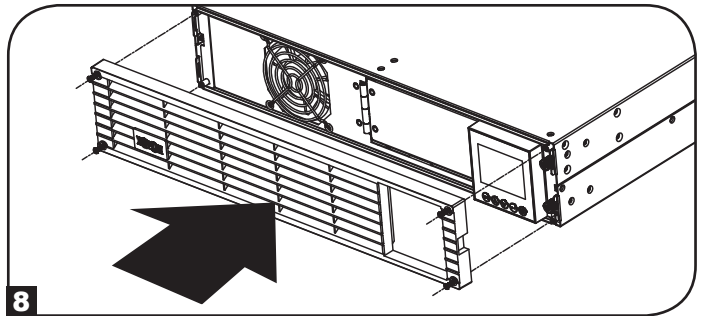


Замена внутренних батарей

7 Затяните два винта для фиксации лицевой панели.



8 Установите на место четыре передних винта и закрепите лицевую панель.



Хранение и техническое обслуживание

Хранение

Сначала ОТКЛЮЧИТЕ свой ИБП: нажмите на кнопку "OFF" ("ВЫКЛ") рядом с розетками ИБП, после чего отсоедините шнур питания от настенной розетки. Затем отсоедините все оборудование во избежание саморазряда батарей. Если вы планируете хранить ИБП в течение длительного периода времени, то следует полностью перезарядить батареи ИБП один раз в три месяца: для этого подключите ИБП к розетке переменного тока и дайте ему зарядиться в течение 4-6 часов. Хранение ИБП с разряженными батареями в течение длительного срока может привести к невозобновляемой потере их емкости.

Сервисное обслуживание

Также доступны различные программы продлеваемой гарантии и обследования на объекте от компании Tripp Lite. Для получения более подробной информации о сервисном обслуживании посетите веб-сайт компании www.tripplite.com/support. Перед возвратом продукции для обслуживания, выполните следующие шаги:

1. Просмотрите инструкции по установке и эксплуатации, изложенные в данном руководстве, чтобы убедиться, что проблемы происходят не из-за неправильного понимания инструкций.
2. Если проблема сохраняется, не обращайтесь и не возвращайте инвертор/зарядное устройство торговому посреднику. Вместо этого посетите веб-сайт www.tripplite.com/support.
3. Если для решения проблемы требуется ремонт, посетите веб-сайт www.tripplite.com/support и перейдите по ссылке Product Returns (возврат продукции). Здесь можно сделать запрос о номере разрешения на возврат (RMA), который необходим для ремонта. В этой простой интерактивной форме нужно будет заполнить номер модели устройства и его серийный номер, а также общую информацию о покупателе. Номер RMA вместе с инструкциями по отправке будет выслан по электронной почте. Любые повреждения (прямые, косвенные, умышленные или побочные) продукции, полученные в результате транспортировки в компанию Tripp Lite или в уполномоченный сервисный центр, гарантией не покрываются. Транспортировка продукции в компанию Tripp Lite или в авторизованный сервисный центр должна быть оплачена отправителем. На внешней стороне упаковки нанесите номер разрешения на возврат. Если продукт находится на гарантии, вложите копию чека или документа на приобретение. Доставку продукции для обслуживания осуществляйте через застрахованных перевозчиков по адресу, полученному вместе с разрешением на возврат.

соответствии нормативным требованиям

Идентификационные номера, свидетельствующие о соответствии нормативным требованиям

С целью идентификации, а также сертификации соответствия нормативным требованиям, приобретенному Вами изделию компании Tripp Lite присвоен уникальный серийный номер. Серийный номер, вместе со всей необходимой информацией и маркировками об одобрении, указан на ярлыке изготовителя, прикрепленном к изделию. При запросе информации о соответствии нормативным требованиям всегда сообщайте серийный номер изделия. Не следует путать серийный номер с маркой или номером модели изделия.

Требования ЭМС для моделей с сертификатами ЭМС категории C2 (для отдельных моделей):

ВНИМАНИЕ! Данный ИБП относится к категории C2. При использовании в жилом помещении данное изделие может вызывать радиопомехи, в случае чего пользователю может быть необходимо предпринять дополнительные меры.

Информация для клиентов компании Tripp Lite о соблюдении требований директивы ЕС об отходах электрического и электронного оборудования (WEEE)



Согласно директиве ЕС об отходах электрического и электронного оборудования (WEEE) и применимым нормам в случаях, когда покупатели приобретают новое электрическое и электронное оборудование компании Tripp Lite, они имеют право на следующее:

- Отpravку старого оборудования, которое является эквивалентным по количеству и идентичным полученному новому оборудованию, на утилизацию (это условие может отличаться в зависимости от страны)
- Отpravку нового оборудования обратно на утилизацию, когда оно в конечном итоге становится изношенным

Утилизация ИБП и батарей



Просьба утилизировать изделия Tripp Lite. В изделиях Tripp Lite используются герметичные свинцово-кислотные аккумуляторные батареи. Эти батареи могут эффективно утилизироваться. Требования по утилизации приведены в местной нормативной документации.

За информацией по утилизации обращайтесь в компанию Tripp Lite по телефону +1.773.869.1234.

Pb

Самая актуальная информация об утилизации батарей и прочих изделий Tripp Lite содержится на веб-сайте компании Tripp Lite. Для получения этой информации перейдите по следующей ссылке: <http://www.tripplite.com/support/recycling-program/>

Компания Tripp Lite постоянно совершенствует свою продукцию. В связи с этим возможно изменение технических характеристик без предварительного уведомления.



1111 W. 35th Street, Chicago, IL 60609 USA • www.tripplite.com/support

Bedienungsanleitung

SmartOnline®

Einphasen-Online-USV-Systeme mit integriertem LCD-Überwachungs- und Steuerbildschirm zur Rack-Montage

Für mobile Anwendungen nicht geeignet.

SUINT1000LCD2U
(Seriennummer: AGPS8294)

SUINT1500LCD2U
(Seriennummer: AGPS8295)

SUINT2200LCD2U
(Seriennummer: AGPS7958)

SUINT3000LCD2U
(Seriennummer: AGPS7959)

SU3000LCD2UHV
(Seriennummer: AGPS8296)

1. Übersicht	106	7. Betrieb	114
Stückliste	106	LCD-Bildschirm und Steuerelemente an der Frontplatte	114
Zusätzliche Zubehöroptionen	106	Tastenfunktionen der Frontplatte	115
Modellspezifisches Zubehör	106	Layout des Startbildschirms	115
2. Wichtige Sicherheitshinweise	106	Auswahloptionen für Stromversorgungskonzepte	116
3. Blockschaltbild der USV	107	LCD-Auswahlmöglichkeiten und Konfigurationsoptionen an der USV-Frontplatte	118
4. Installation	108	Konfiguration externer Batteriepacks	121
Rack-Montage	108	8. Optionale Anschlüsse	123
Tower-Montage	109	9. Fehlerbehebung und Ereignisprotokoll	126
5. Grundanschlüsse und Inbetriebnahme	110	10. Interner Batteriewechsel	128
Kurzanleitung, Kurzanleitung	110	11. Lagerung und Service	129
6. Funktionen	112	12. Einhaltung gesetzlicher Vorschriften	130
Steuerelemente, LEDs und LCD-Bildschirm an der Frontplatte	112	English	1
Funktionen an der Rückplatte	112	Español	27
		Français	53
		Русский	79

HINWEIS: Die Optionen für das externe Batteriepack erfordern die Konfiguration mit der LCD-Schnittstelle an der Frontplatte oder über die Software für die EXTERNE BATTERIEKONFIGURATION von Tripp Lite.



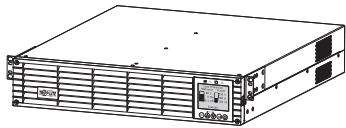
1111 W. 35th Street, Chicago, IL 60609 USA • www.tripplite.com/support

Copyright © 2016 Tripp Lite. Alle Rechte vorbehalten. SmartOnline® ist eine Marke von Tripp Lite. Für die neuesten Updates besuchen Sie bitte www.tripplite.com

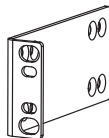
Übersicht

Die Tripp Lite SmartOnline USV-Systeme zur Rack-Montage mit interaktiver LCD-Schnittstelle bieten Ihnen einen Online-Doppelwandler-USV-Schutz mit vollem Sinusausgang und ohne Umschaltzeiten, wie er für alle fortgeschrittenen Netzwerkanwendungen geeignet ist. Jedes System bietet eine lang andauernde Batteriestützung mit optionaler Betriebszeiterweiterung und Web-Kommunikationsfunktionen. Zu den integrierten Schnittstellen gehören USB-, serielle RS-232- und EPO-Schnittstellen (Emergency Power Off). Der interaktive LCD-Bildschirm an der Frontplatte zeigt den detaillierten USV-Status, Voreinstellungen und Steuerungsoptionen an. Die wahlweisen Optionen für Stromversorgungskonzepte mit einem maximalen Wirkungsgrad und automatischer Anpassung ermöglichen einen höchst effizienten Betrieb mit reduziertem Stromverbrauch und effektiver Wärmeabführung.

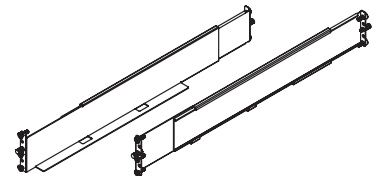
Stückliste



USV-System



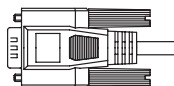
Angeschraubte Montagelaschen (2)



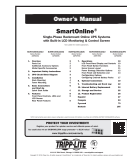
4-Pfosten Rackmontage-Schienenkit



USB-Kabel



RS-232-Kabel



Bedienungsanleitung

Zusätzliches Zubehör (alle Modelle, optional)*

- SNMPWEBCARD: Interne Netzwerkschnittstellenkarte zur SNMP-/Websteuerung und Überwachung
- WEBCARDLX: Zubehörkarte für Webverwaltung
- 2POSTRMKITWM: Zur Befestigung von Rack-Montage-USVs und Batteriepacks in Konfigurationen mit 2-Pfosten Rack-Mount- oder Wandhalterungen
- 2-9USTAND: Zur Befestigung von Rack-Montage-USVs und Batteriepacks in aufrecht stehender Tower-Konfiguration

* Ausgewählte Modelle werden auch mit optionalen Ein-/Ausgangs-Adapterkabeln zum Versand gebracht.

Modellspezifisches Zubehör (optional)*

USV-Modell	SUINT1000LCD2U	SUINT1500LCD2U	SUINT2200LCD2U	SUINT3000LCD2U / SU3000LCD2UHV
Externe „SMART“ Batteriepacks**	BP24V36-2US	BP36V27-2US	BP48V27-2US	BP72V18-2US
Externe „NON-SMART“ Batteriepacks**	BP24V15RT2U (Limit 1) BP24V28-2U (Limit 1) BP24V70-3U	BP36V15-2U (Limit 1) BP36V42-3U	BP48V24-2U (Limit 1) BP48V60RT3U	BP72V15 (Limit 1) BP72V28RT3U

*Besuchen Sie die Spezifikationsseite für Ihr USV-System unter www.tripplite.com, um detaillierte Angaben zur Betriebszeiterweiterung und zusätzliche Zubehöroptionen zu finden.

** Zu externen Batteriekonfigurationen, insbesondere zu Optionen und Konfigurationsverfahren, siehe Abschnitt Betrieb. SMART Batteriepacks werden von der USV automatisch erkannt.

Wichtige Sicherheitshinweise



BITTE BEWAHREN SIE DIESE ANWEISUNGEN AUF

Dieses Handbuch enthält Anweisungen und Warnungen, die während der Installation, des Betriebs und der Lagerung aller Tripp Lite USV-Systeme einzuhalten sind. Die Nichtbeachtung dieser Warnungen kann Ihre Garantie beeinträchtigen.

Warnhinweise zum USV-Aufstellungsort

- Installieren Sie Ihre USV in einem Innenbereich und stellen Sie diese geschützt vor übermäßiger Feuchtigkeit und Hitze sowie vor leitfähigen Substanzen, Staub und direkter Sonneneinstrahlung auf.
- Für eine optimale Leistungsfähigkeit sollte die Raumtemperatur zwischen 0° C und 40° C gehalten werden.
- Lassen Sie an allen Seiten der USV genügend Platz für eine angemessene Belüftung.
- **Das Gerät darf nicht mit der Front- oder Rückplatte nach unten montiert werden (auch nicht in einem Winkel). Eine derartige Befestigung würde die interne Kühlung des Geräts stark beeinträchtigen und letztendlich zu einer Beschädigung des Produkts führen, die nicht unter die Garantie fällt.**



Warnhinweise zum Anschluss der USV

- Schließen Sie Ihre USV direkt an eine ordnungsgemäß geerdete Wechselspannungssteckdose an. Verbinden Sie den Anschlussstecker der USV nicht mit einem ihrer eigenen Ausgangssteckdosen, da dies zur Beschädigung der USV führt.
- Nehmen Sie keine Veränderungen am Netzstecker der USV vor und verwenden Sie keinen Anschlussadapter, der den Schutzanschluss der USV unterbrechen würde.
- Verwenden Sie keine Verlängerungskabel, um die USV an eine Wechselspannungssteckdose anzuschließen. Ihre Garantie erlischt, wenn Sie einen anderen Überspannungsschutz als den von Tripp Lite verwenden, um Ihre USV an eine Steckdose anzuschließen.
- Wenn die USV von einem motorbetriebenen Wechselspannungsgenerator gespeist wird, muss der Generator einen sauberen, gefilterten Ausgang in Computerqualität bieten.
- Die Netzsteckdose sollte sich in der Nähe der USV befinden und einfach zugänglich sein.
- Um die USV vom Wechselspannungsanschluss zu trennen, ist der Stecker aus der Steckdose zu ziehen.

Warnhinweise zu den Geräteanschlüssen

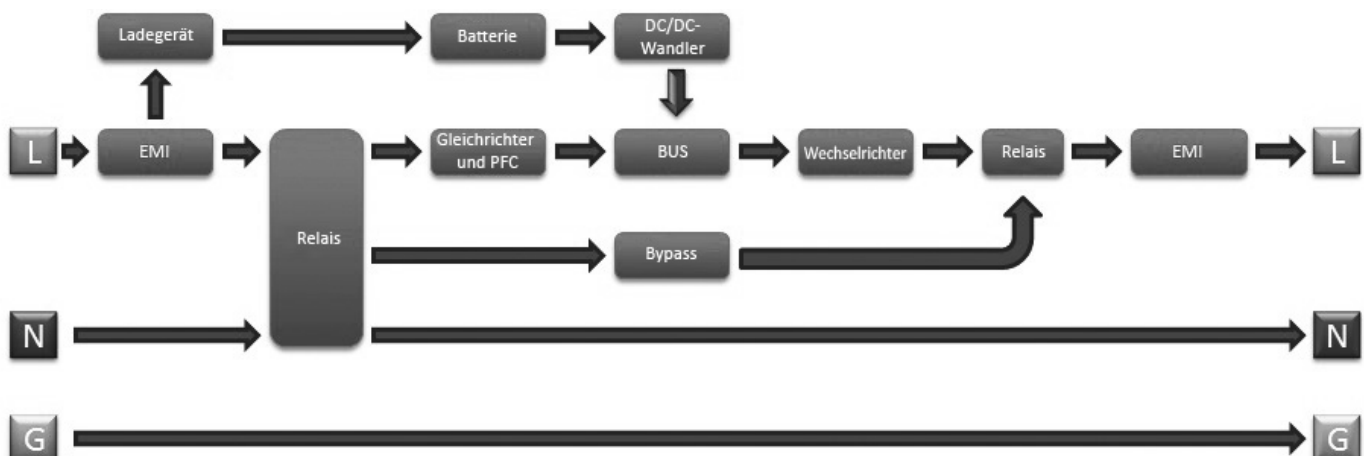
- Die Verwendung dieses Geräts für Lebenserhaltungssysteme, in denen der Ausfall des Geräts den Ausfall des Lebenserhaltungssystems verursachen oder dessen Sicherheit beziehungsweise Wirksamkeit bedeutend beeinträchtigen kann, wird nicht empfohlen.
- Schließen Sie keinen Überspannungsschutz und keine Verlängerungskabel an den Ausgang Ihrer USV an. Dies könnte zur Beschädigung der USV sowie zur Beeinträchtigung des Überspannungsschutzes und Ihrer USV-Garantie führen.
- Schließen Sie die USV an eine Steckdose an, die als Teil der Gebäudeinstallation ausreichend gegen Überstrom, Kurzschluss und Erdschluss geschützt ist. Der Steckdosenschutz für die USV muss in Reihe mit dem Netzeingang geschaltet werden.
- Schließen Sie die USV zur Reduzierung der Gefahr eines Brandes nur an einen solchen Stromkreis an, der über einen Zweigstromkreis-Überstromschutzschalter mit einer Nennstromstärke verfügt, die dem National Electrical Code® (NEC®), ANSI/NFPA 70 oder Ihren örtlichen Elektroinstallationsvorschriften entspricht. In Europa muss der Schutzschalter den IEC/EN 60934-Standard erfüllen und einen Kontaktluftspalt von mindestens 3 mm haben. Der empfohlene Schutzschalter-Anschlusswert für Gebäudeinstallationen beträgt 240V/20A.

Warnungen zu den Batterien

- Batterien können die Gefahr eines Stromschlages oder einer Verbrennung durch hohe Kurzschlussströme in sich bergen. Halten Sie die korrekten Vorsichtsmaßnahmen ein. Werfen Sie die Batterien zur Entsorgung nicht ins Feuer. Die USV und die Batterien dürfen nicht geöffnet werden. Lassen Sie keine Kurzschlüsse oder Überbrückungen der Batterieanschlüsse mit Fremdkörpern zu. Vor dem Batteriewechsel ist die USV auszuschalten und ihr Netzstecker herauszuziehen. Verwenden Sie Werkzeuge mit isolierten Griffen. Die USV enthält keine Teile, die vom Benutzer gewartet werden können. Die Batterie darf nur von einem autorisierten Servicemitarbeiter gegen eine Batterie mit demselben Anschlusswert und Typ (versiegelter Bleiakku) ausgetauscht werden. Die Batterien sind recyclingfähig. Informationen zur Entsorgung finden Sie in Ihren örtlichen Entsorgungsvorschriften. Alternativ dazu können Sie Informationen zum Recycling auch unter www.tripplite.com/UPSbatteryrecycling finden. Tripp Lite bietet eine Komplettauswahl an Ersatzbatterieboxen (R.B.C.) für USV-Systeme an. Bitte besuchen Sie Tripp Lite im Internet unter www.tripplite.com/support/battery/index.cfm, um die richtige Ersatzbatterie für Ihre USV zu finden.

Hinweis: Zur Konfiguration externer Batteriekonfigurationen, insbesondere zu Optionen und Konfigurationsverfahren, siehe Abschnitt **Betrieb**. SMART-BATTERIEPACKS werden von der USV automatisch erkannt.

Blockschaltbild der USV



Installation

Rack-Montage

Befestigen Sie Ihr Gerät in einem 4- oder 2-Säulen Rack oder Rackgehäuse. Der Benutzer hat vor der Montage des Geräts sicherzustellen, dass die verwendete Hardware und die Verfahren dafür geeignet sind. Sollten die Hardware und die Verfahren für Ihre Anwendung nicht geeignet sein, wenden Sie sich bitte an den Hersteller des Racks oder des Rackgehäuses. Die in diesem Handbuch beschriebenen Verfahren, die für allgemeine Rack- und Rackgehäusetypern bestimmt sind, eignen sich möglicherweise nicht für alle Anwendungen.

4-Säulen-Montage

- Die beiliegenden Kunststoffhaltestifte **A** dienen zum vorübergehenden Halten der leeren Rack-Mount-Einlegeböden **B**, während Sie die Befestigungsteile für eine dauerhafte Befestigung montieren. Stecken Sie am vorderen Ende jeder Halterung einen Haltestift in die dritte Öffnung von oben. Stecken Sie am hinteren Ende je einen Haltestift in die mittlere Öffnung. (Jede Halterung hat vorn 6 und hinten 5 Öffnungen.) Die Haltestifte rasten ein.

Nachdem Sie die Haltestifte angebracht haben, passen Sie alle Einlegeböden an die Tiefe Ihrer Rack-Schienen an. Die Haltestifte passen durch die quadratischen Öffnungen in den Rack-Schienen, um die Einlegeböden zu halten. Stellen Sie mittels der Kennzeichnungen am Rack sicher, dass die Einlegeböden in alle Richtungen korrekt ausgerichtet sind.

Hinweis: Die Stützleisten der Einlegeböden müssen nach innen zeigen.

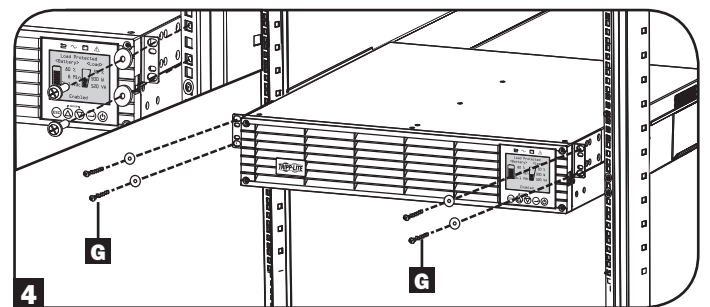
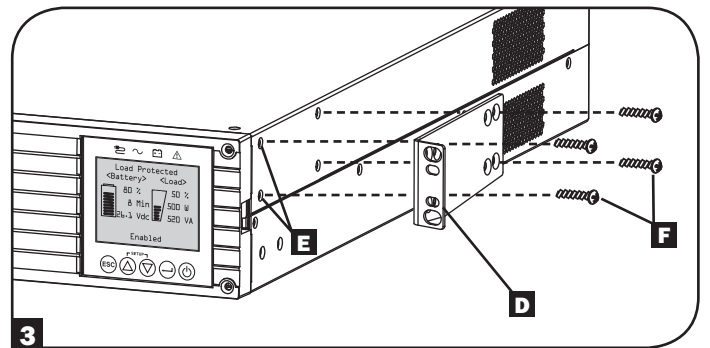
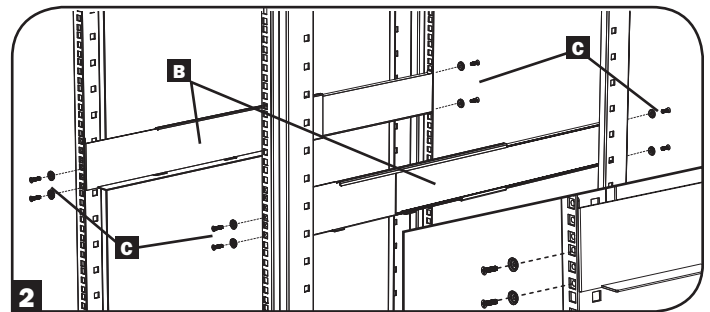
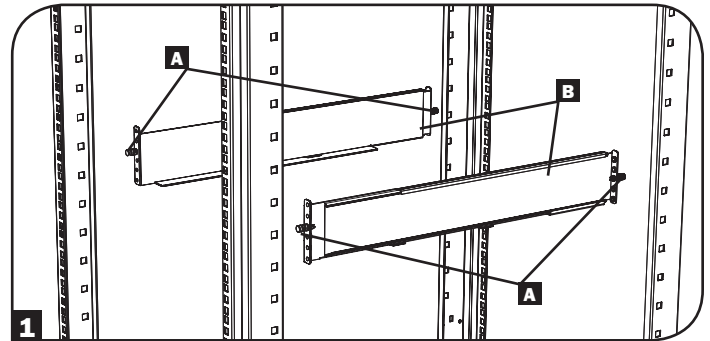
- Entfernen Sie die Haltestifte aus dem vorderen Ende aller Halterungen. Bringen Sie die Einlegeböden **B**, wie dargestellt, mit den beiliegenden Schrauben und Tellerscheiben dauerhaft an den Befestigungsschienen **C** an. Bringen Sie je zwei Schrauben vorne (insgesamt 4) an den Schienen und je zwei Schrauben hinten (insgesamt 4) an den Schienen an. Ziehen Sie alle Schrauben an, bevor Sie fortfahren.

Hinweis: Die hinteren Haltestifte können zur Installation in den Halterungen verbleiben, die vorderen Haltestifte müssen jedoch entfernt werden, bevor die Halterung mit den Schrauben gesichert wird.

WARNUNG!

Installieren Sie die USV erst, nachdem Sie die erforderlichen Schrauben eingesteckt und festgezogen haben. Die Kunststoffhaltestifte können das Gewicht Ihrer USV nicht tragen.

- Bringen Sie die Montagehalterungen der USV **D** unter Verwendung der beigelegten Teile an den vorderen Montageöffnungen **E** der USV an **F**. Die Laschen der Montagehalterung müssen nach vorne zeigen.
- Heben Sie die USV (falls erforderlich mit Hilfe einer anderen Person) an und schieben Sie sie in die Einlegeböden im Rack. Bringen Sie die Montagehalterungen der USV mit vom Benutzer bereitgestellten Schrauben und Beilagscheiben **G** an den vorderen Befestigungsschienen an. Ziehen Sie alle Schrauben fest.



2-Pfosten-Montage

Wenn Sie USV-Modelle mit 2 Einschubhöhen Baugröße (2 RU) in 2-Säulen-Racks befestigen, benötigen Sie ein Tripp Lite 2-Pfosten-Installationskit für die Rack-Montage (Modell: 2POSTRMKITWM, separat erhältlich). Das Installationsverfahren ist im Benutzerhandbuch des Installationskits beschrieben.

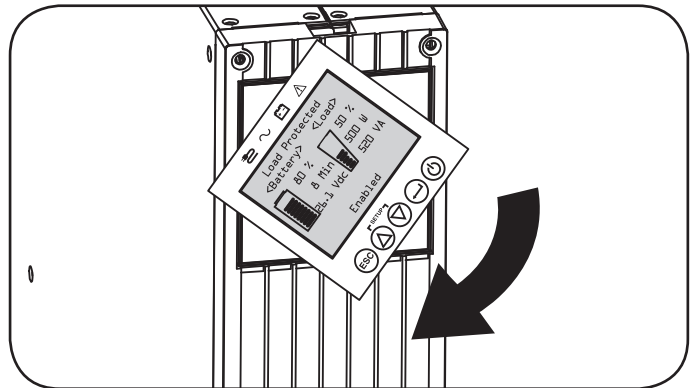
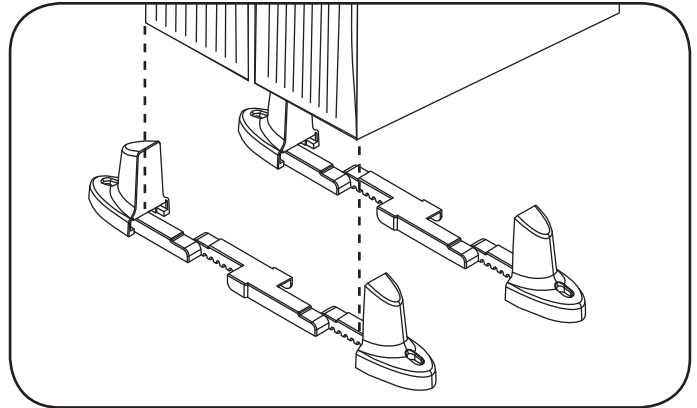
Installation

Tower-Montage

Ihre USV kann senkrecht als Tower mit optionalen Standfüßen montiert werden, die separat bei Tripp Lite erhältlich sind (Modell: 2-9USTAND). Wenn Sie die USV auf den einstellbaren Standfüßen montieren, müssen Sie sicherstellen, dass das Bedienfeld nach oben zeigt. Das Bedienfeld lässt sich drehen, damit Sie die Anzeige besser sehen können. Entfernen Sie die vier Schrauben aus der Frontplatte und nehmen Sie die Frontplatte ab. Drücken Sie auf die seitlich am LCD-Bedienfeld angebrachten Laschen und drehen Sie es herum. Bringen Sie die Frontplatte wieder an und schrauben Sie sie fest. Die Frontplatte darf nur von einem Servicemitarbeiter installiert werden.

WARNUNG!

Alle USV-Systeme sind extrem schwer. Seien Sie vorsichtig, wenn Sie die USV anheben oder montieren. Beim Anheben und bei der Montage muss der Benutzer die USV ordnungsgemäß abstützen.



USV-Modell	SUINT1000LCD2U	SUINT1500LCD2U	SUINT2200LCD2U	SUINT3000LCD2U / SU3000LCD2UHV
USV-Abmessungen (H x B x T)	8,6 x 43,8 x 39,6 cm	8,6 x 43,8 x 49,6 cm	8,6 x 43,8 x 49,6 cm	8,6 x 43,8 x 61,6 cm

Zul. Betriebshöhenlage: 0 bis 3000 m

HINWEIS ZUR EXTERNEN BATTERIEKONFIGURATION

Wenn Sie zusammen mit der USV externe Batteriepacks verwenden, installieren Sie diese bitte gemäß der Dokumentation, die Sie mit dem Batteriepack erhalten haben. Die Installation eines externen Batteriepacks erfordert eine Konfiguration der USV mittels einer von zwei Möglichkeiten:

1. Über die LCD-Schnittstelle an der Frontplatte der USV
2. Über die Software für die EXTERNE BATTERIEKONFIGURATION von Tripp Lite

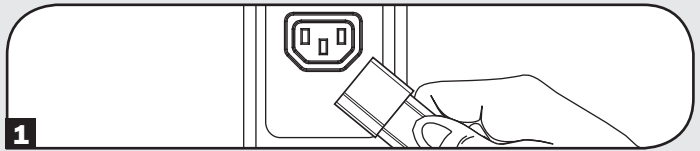
Diese USV wurde im Werk mit Entladungskennlinien und Ladeprofilen für Konfigurationen mit externen Batteriepacks programmiert, die über die LCD-Schnittstelle an der Frontplatte der USV zugänglich sind. Zusätzliche Batteriepack-Optionen mit größeren oder mehreren externen Batteriepacks werden ebenfalls unterstützt, erfordern jedoch eine Konfiguration mit der Tripp-Lite-Software für eine EXTERNE BATTERIEKONFIGURATION sowie eine serielle Schnittstellenverbindung zur USV.

Kurzanleitung - Erstes Einschalten der USV

1 Stecken Sie das USV-Netzanschlusskabel in eine Steckdose.

Ihre USV muss an einen speziell dafür vorgesehenen Stromkreis mit einer ausreichenden Stromstärke angeschlossen werden.

Weitere Anschlusswerte finden Sie auf dem Typenschild an der USV.

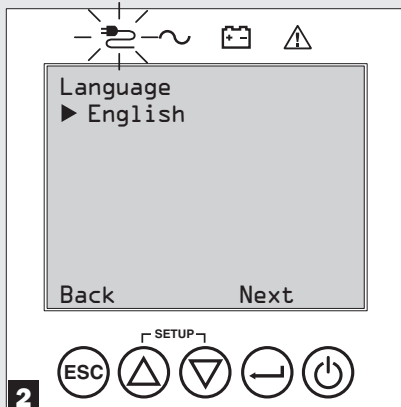


2 Auswahl Ihrer Sprache

Wenn Sie Ihre USV zum ersten Mal mit dem Stromnetz verbinden, leuchtet die LED AC-EINGANG auf und der LCD-Bildschirm an der Frontplatte fordert Sie auf, eine Sprache auszuwählen.

Wählen Sie mit den Tasten NACH OBEN/NACH UNTEN (▲▼), eine Sprache aus und drücken Sie auf WEITER (→).

Ihre Auswahl wird bestätigt und anschließend haben Sie die Möglichkeit, entweder zurückzugehen (drücken Sie dazu ZURÜCK (ESC) oder mit dem nächsten Schritt fortzufahren (drücken Sie dazu WEITER (→)).

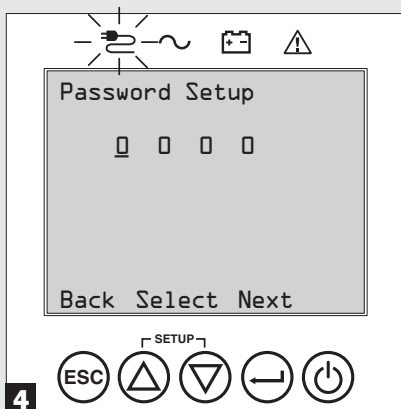


4 Auswahl Ihres Passworts

Sie werden von der USV aufgefordert, das gewünschte PASSWORT auszuwählen.

Wählen Sie mit den Tasten NACH OBEN/NACH UNTEN (▲▼) die erste Stelle des von Ihnen gewünschten Passworts aus und drücken Sie auf WEITER (→), um mit der zweiten Stelle fortzufahren. Wiederholen Sie diesen Schritt für die dritte und vierte Stelle.

Hinweis: Um schnell "0 0 0 0" als Passwort festzulegen, drücken Sie einfach vier Mal auf WEITER.

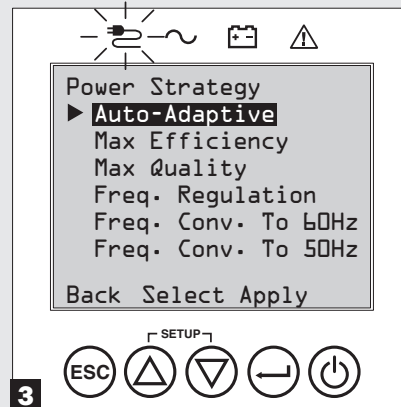


3 Auswahl Ihres Stromversorgungskonzepts

Sie werden von der USV aufgefordert, das gewünschte STROMVERSORGUNGSKONZEPT auszuwählen.

Wählen Sie mit den Tasten NACH OBEN/NACH UNTEN (▲▼) ein Stromversorgungskonzept aus und drücken Sie auf ÜBERNEHMEN (→).

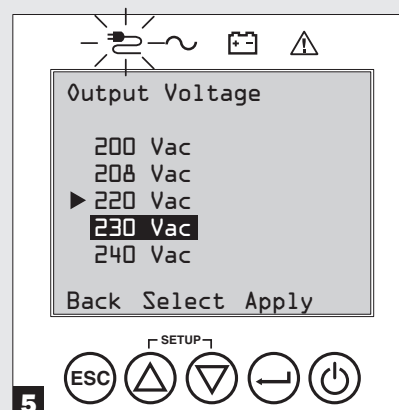
Zu den Betriebskennzahlen der einzelnen Stromversorgungskonzepte beziehen Sie sich bitte auf die Abschnitte **Auswahlmöglichkeiten für Stromversorgungskonzepte** und **USV-Betriebsmodi** unter der Überschrift Betrieb.



5 Auswahl der USV-Ausgangsspannung

Sie werden von der USV aufgefordert, die gewünschte AUSGANGSSPANNUNG auszuwählen.

Wählen Sie mit den Tasten NACH OBEN/NACH UNTEN (▲▼) die USV-Ausgangsspannung aus und drücken Sie anschließend auf ÜBERNEHMEN (→).

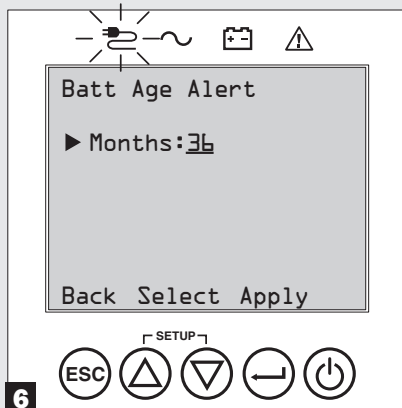


Grundanschlüsse und Inbetriebnahme

6 Auswahl des USV-Batteriealter-Alarms

Sie werden von der USV aufgefordert, die Zeitvorgabe für den BATTERIEALTER-ALARM auszuwählen.

Wählen Sie mit den Tasten NACH OBEN/NACH UNTEN (▲▼) die Zeitvorgabe für den Batteriealter-Alarm in Monaten aus und drücken Sie danach auf ÜBERNEHMEN (→).

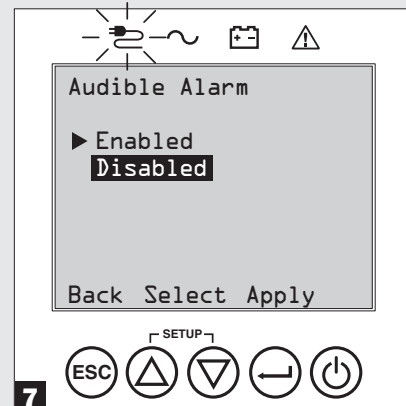


7 Auswahl AKTIVIEREN/DEAKTIVIEREN für den akustischen Alarm

Sie werden von der USV aufgefordert, den Alarmstatus wahlweise zu AKTIVIEREN oder zu DEAKTIVIEREN.

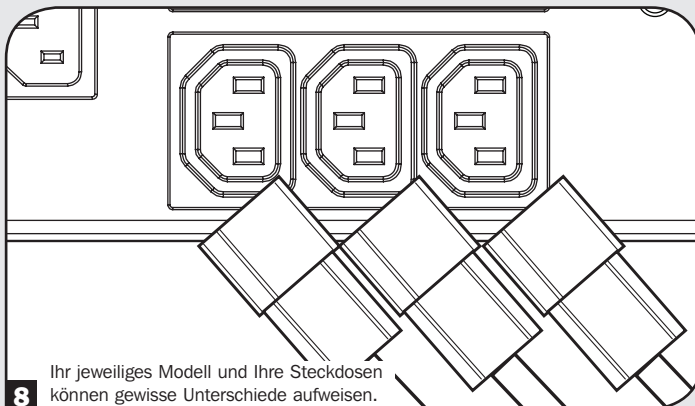
Wählen Sie dazu mit den Tasten NACH OBEN/NACH UNTEN (▲▼) als Alarmstatus entweder AKTIVIEREN oder DEAKTIVIEREN aus und drücken Sie auf ÜBERNEHMEN (→).

Hinweis: Ein Deaktivieren des Alarms verhindert, dass der akustische Alarm während eines Stromausfalls oder USV-Ausfall ertönt. Auch wenn der Alarm deaktiviert ist, wird noch ein regelmäßiger kurzer Signalton zur Bestätigung der Bedieneingaben über die Navigationstasten an der Frontplatte ausgegeben.



8 Anschluss Ihrer Geräte an die USV

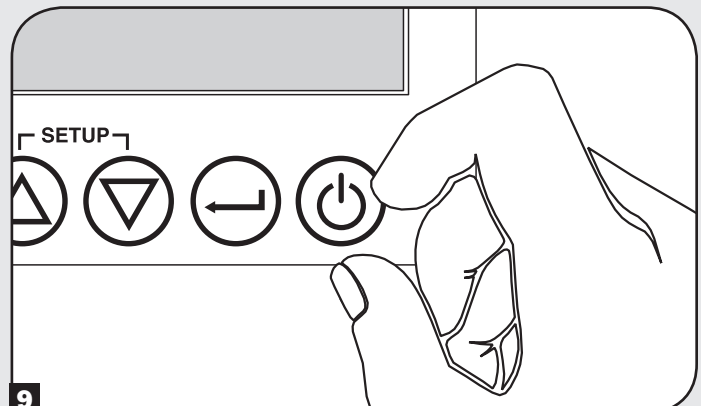
Ihre USV ist nur zur Stützung von Netzwerk-, Server- und Computertechnik vorgesehen.



Ihr jeweiliges Modell und Ihre Steckdosen können gewisse Unterschiede aufweisen.

9 Einschalten Ihrer USV

Halten Sie die EIN/AUS-Taste (⏻) drei Sekunden lang gedrückt und lassen Sie die Taste los, wenn der Alarm ertönt.



Die USV durchläuft eine Reihe von Diagnosetests, bevor die Ausgangsspannung eingeschaltet wird. Wenn die USV den Betriebsstatus NORMAL/LASTGESCHÜTZT anzeigt und das konfigurierte STROMVERSORGUNGSKONZEPT aktiviert ist, können Sie Ihre USV zum zuverlässigen Schutz vor einer breiten Vielfalt an Stromversorgungsproblemen umgehend in Betrieb nehmen.

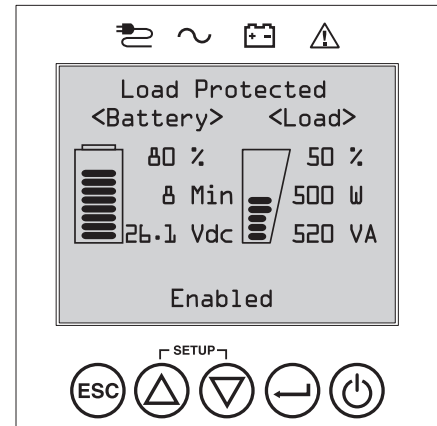
Funktionen

Machen Sie sich mit der Anordnung und mit den Funktionen der einzelnen Komponenten vertraut, bevor Sie die USV installieren und in Betrieb nehmen.

Steuerelemente, LEDs und LCD-Bildschirm an der Frontplatte

Die Grafik-LCD an der Frontplatte enthält eine breite Vielfalt an USV-Betriebsbedingungen und Diagnosedaten. Außerdem werden die USV-Einstellungen und Optionen angezeigt, wenn Sie die USV-Einrichtungsbildschirme betrachten. Die fünf Tasten unterhalb der LCD können Sie zur Navigation durch die verschiedenen Informations-, Konfigurations- und Steuerungsbildschirme der USV verwenden, indem Sie den Eingabeaufforderungen und Auswahloptionen auf dem Bildschirm folgen. Zusätzliche LED-Kontrollanzeigen oberhalb der LCD zeigen auf einen Blick den Status der AC-Netzversorgung am Eingang, die Verfügbarkeit der Ausgänge, den Batteriestatus und den Warn-/Fehlerstatus an.

Der Abschnitt **Betrieb** enthält detaillierte Beschreibungen der LCD-Funktionen, Tasten und LEDs.



Funktionen an der Rückplatte

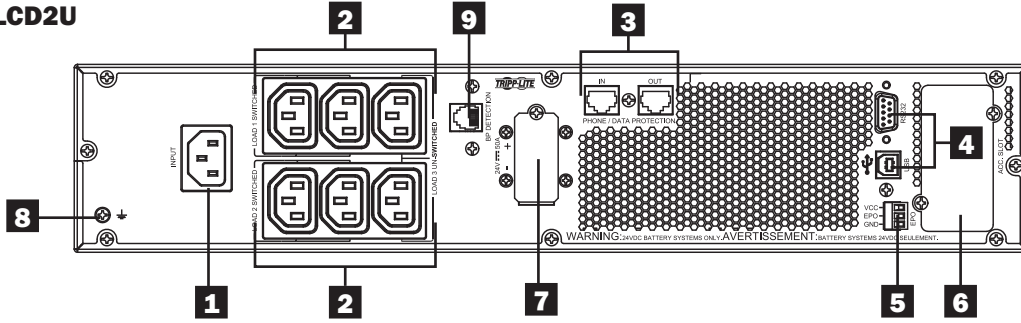
- 1 Netzkabeleingangsanschluss:** Über diesen Anschluss wird die USV mittels eines vom Benutzer bereitgestellten Netzkabels mit länderspezifischem Netzstecker oder über ein fest angeschlossenes Netzanschlusskabel mit dem Wechselspannungsnetz verbunden.
 - 2 Wechselspannungs-Ausgangssteckdosen (je nach Modell unterschiedlich):** Die Ausgangssteckdosen versorgen alle angeschlossenen Geräte im Normalbetrieb mit einer reinen Sinus-Ausgangswechselspannung und während Stromausfällen und starken Spannungsabfällen mit Batteriestrom. Die von diesen Ausgängen bereitgestellte Spannung wird gefiltert, um die angeschlossenen Geräte gegen Überspannungen und Leitungstörungen zu schützen. Die Ausgangssteckdosen sind, wie am Gerät gekennzeichnet, in nummerierte Lastbänke unterteilt. Mit der PowerAlert-Software und einer speziellen Verkabelung können die Lastbänke 1 und 2 einzeln per Fernbedienung ein- und ausgeschaltet werden, damit der Benutzer die angeschlossenen Geräte zurücksetzen oder neu starten kann.
 - 3 Telefon- bzw. Telefon-/Netzwerkanschlussbuchsen mit Leitungsschutz:** Diese Buchsen schützen Ihre Geräte gegen Überspannungen aus einer Telefonleitung oder Telefon-/Netzwerkdatenleitung. Der Anschluss Ihrer Geräte an diese Buchsen ist optional. Ihre USV funktioniert auch ohne diesen Anschluss ordnungsmäßig.
- Hinweis: Nicht kompatibel mit PoE-Anwendungen (Power Over Ethernet).*
- 4 Kommunikationsports (USB oder RS-232):** Diese Ports dienen zum Anschluss Ihrer USV an eine Workstation oder einen Server. Die gemeinsame Verwendung mit der PowerAlert-Software von Tripp Lite und den beiliegenden Kabeln ermöglicht es, dass Ihr Computer bei einem Stromausfall noch alle geöffneten Dateien automatisch speichern kann und dass die Geräte anschließend herunter gefahren werden. Die PowerAlert-Software kann auch zur Überwachung einer breiten Vielfalt an AC-Netzleitungs- und USV-Betriebsbedingungen verwendet werden. Weitere Informationen erhalten Sie im Handbuch der PowerAlert-Software oder wenn Sie sich an den Kundensupport von Tripp Lite wenden. Der 9-Pin RS-232-Port unterstützt auch Kommunikationsverbindungen über potenzialfreie Kontakte. Zu Installationsanweisungen, siehe **Serielle USB- und RS-232-Kommunikation** im Abschnitt **Optionale Anschlüsse**.
 - 5 EPO-Port (Emergency Power Off):** Ihre USV ist mit einem EPO-Port ausgestattet, über den Sie die USV an einen Kontaktschalter (Schließer) anschließen können, um den Wechselrichter im Notfall abzuschalten. Siehe Abschnitt **Optionale Anschlüsse** zu den Einzelheiten.
 - 6 Zubehörsteckplatz:** Entfernen Sie die kleine Abdeckplatte von diesem Steckplatz, um an dieser Stelle optionales Zubehör zur Fernüberwachung und -steuerung Ihrer USV einzusetzen. Unter www.tripplite.com finden Sie eine vollständige Zubehörliste, einschließlich der Steckkarte WEBCARDLX zur Fernsteuerung und USV-Überwachung, sowie eine große Auswahl an Netzmanagement- und Konnektivitätsprodukten.
 - 7 Steckverbinder für externes Batteriepack (Konfiguration je nach Modell unterschiedlich):** Ihre USV unterstützt die Verwendung optionaler externer Batteriepacks von Tripp Lite zur Erweiterung der Betriebszeit. Siehe **Modellspezifisches Zubehör** unter **Übersicht** im Hinblick auf kompatible Modelle und Einschränkungen sowie den Abschnitt **Konfiguration externer Batteriepacks** unter **Betrieb** im Hinblick auf die Konfigurationsanweisungen.

Hinweis: Die Optionen für das externe Batteriepack erfordern die Konfiguration mit der LCD-Schnittstelle an der Frontplatte oder über die Software EXTERNE BATTERIEKONFIGURATION von Tripp Lite.

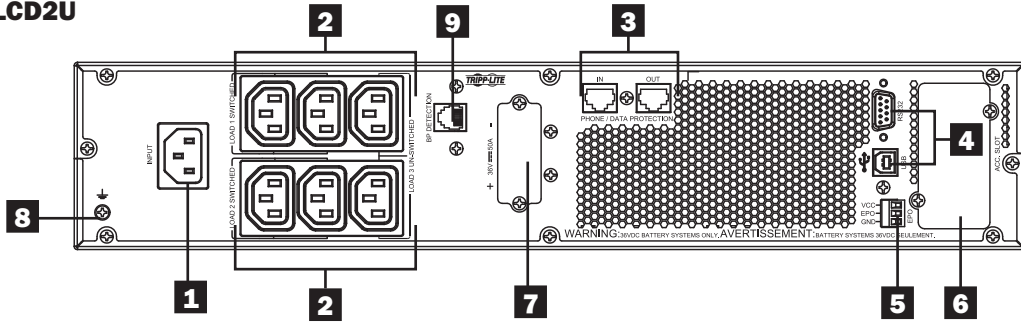
- 8 Masseschraube:** Verwenden Sie diese Masseschraube, um alle Geräte anzuschließen, die eine Gehäusemasse benötigen.
- 9 Erkennungsport für externe Batterie:** Für externe Batteriemodule mit integrierter Kommunikation; der Anschluss des Batterie-Kommunikationskabels an diesen Port ermöglicht der USV die automatische Erkennung einer externen Batterie.

Funktionen

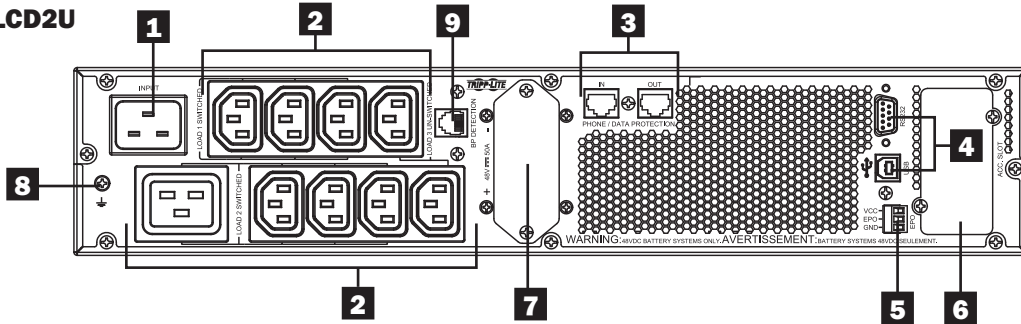
SUINT1000LCD2U



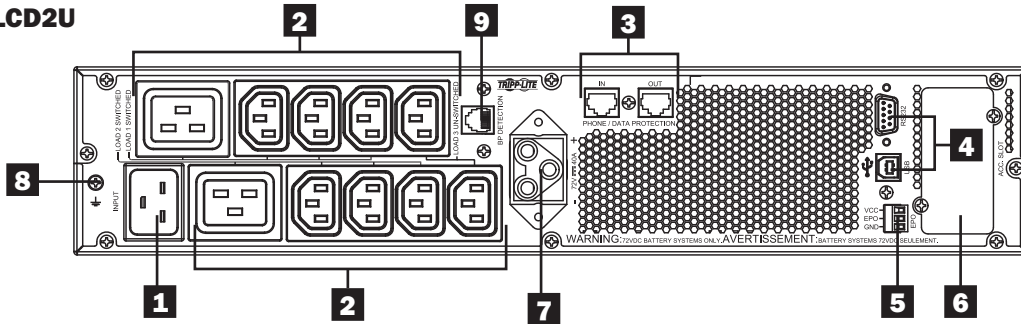
SUINT1500LCD2U



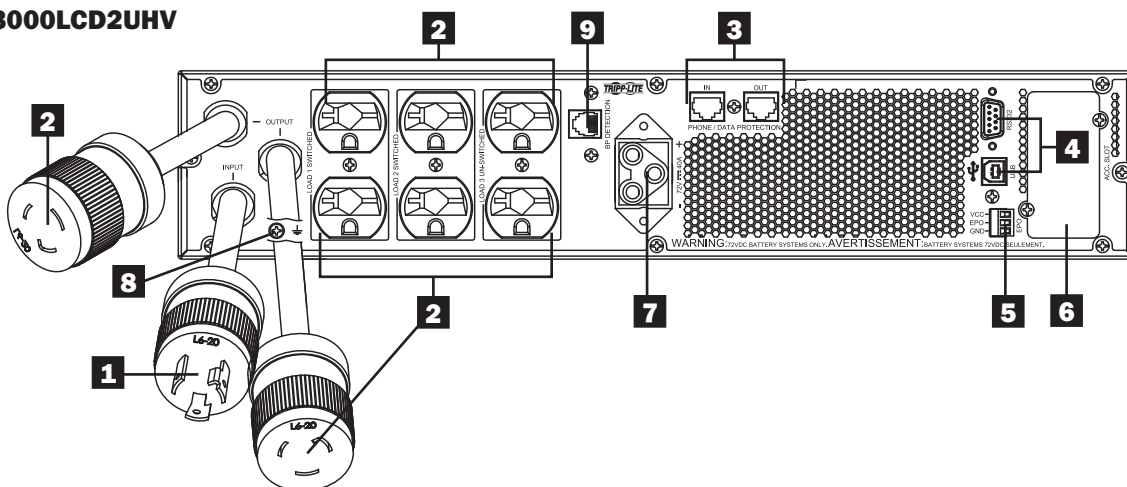
SUINT2200LCD2U



SUINT3000LCD2U



SU3000LCD2UHV

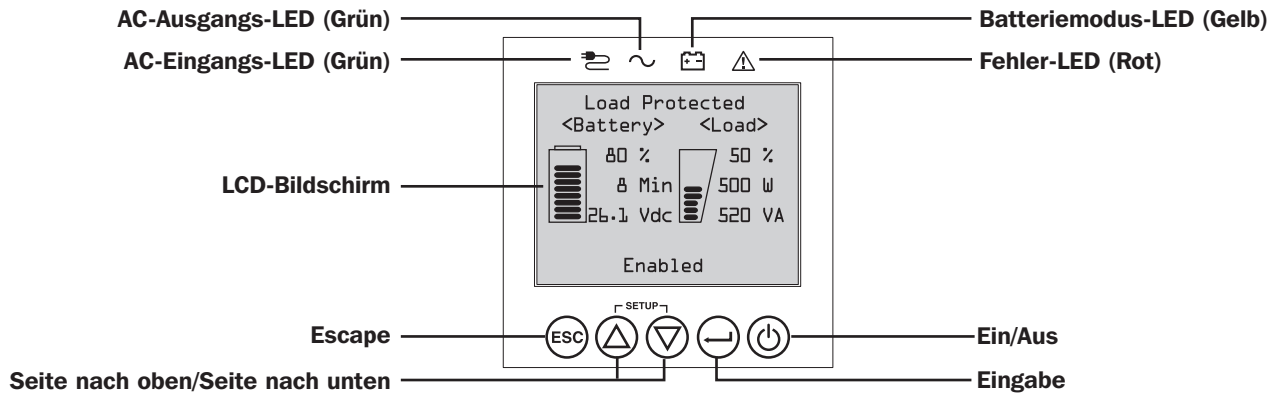


Betrieb

In diesem Abschnitt wird die Verwendung Ihres Tripp Lite Online USV-Systems erklärt, einschließlich der LCD-Bedienung an der Frontplatte, der Betriebsarten, des Startens und Herunterfahrens Ihrer USV, der Umschaltung zwischen den Betriebsmodi, der Einstellung des Stromversorgungskonzepts und der Konfiguration der Bypass-Einstellungen sowie der Lastsegmente und Batterieeinstellungen.





LCD-Bildschirm und Steuerelemente an der Frontplatte

An der Vorderseite der USV befindet sich ein LCD-Grafikbildschirm mit fünf Tasten und LED-Kontrollanzeigen, die Informationen zum USV-Status, zum Lastniveau, zu wichtigen Meldungen, Messwerten und Einstellungen sowie eine breite Vielfalt an Möglichkeiten zur USV-Konfiguration und zum Stromversorgungskonzept bereitstellen.



LED-Kontrollanzeigen der Frontplatte

Über dem LCD-Bildschirm befinden sich vier LEDs, die Statusinformationen zum AC-EINGANG, BYPASS, AC-AUSGANG, BATTERIEMODUS und USV-FEHLER bereitstellen.

	Kontrollanzeige AC-EINGANG
Ein	Der AC-Eingang ist verfügbar UND seine Anschlusswerte liegen INNERHALB des konfigurierten ÖKO-/BYPASS-Modusbereichs. Wenn diese LED DAUERHAFT LEUCHTET, ist die Qualität des AC-Eingangs für den USV-Betrieb im BYPASS- oder ÖKO-Modus ausreichend.
Blinkt	Der AC-Eingang ist verfügbar UND seine Anschlusswerte liegen AUSSERHALB des konfigurierten BYPASS-Modusbereichs. Wenn diese LED BLINKT, ist die Spannung oder Frequenz des AC-Eingangs für den USV-Betrieb im BYPASS- oder ÖKO-Modus nicht ausreichend.
Aus	AC-Eingang ist NICHT verfügbar. Wenn die LED AUS ist, ist der AC-Eingang nicht verfügbar.
	Kontrollanzeige AC-AUSGANG
Ein	Der USV AC-Ausgang ist EINGESCHALTET Die USV-Ausgangsspannung liegt an den USV-Ausgangssteckdosen an.
Aus	Der USV AC-Ausgang ist AUSGESCHALTET Der USV AC-Ausgang ist nicht verfügbar.
	Kontrollanzeige BATTERIEMODUS
Ein	Die USV wird im Batteriemodus betrieben Die USV-Batterien entladen sich allmählich, weil die USV im Batteriemodus betrieben wird. Diese Anzeige leuchte auch kurz während des Selbsttests auf.
Blinkt	Die USV wird im Batteriemodus betrieben - Warnung: Der Ladezustand der Batterie ist niedrig Die USV-Batterien entladen sich allmählich, weil die USV im Batteriemodus betrieben wird, und ihr Ladezustand verringert sich. Die Kontrollanzeige blinkt in 2-Sekunden-Intervallen auf, um einen NIEDRIGEN LADEZUSTAND anzuzeigen. Wenn sie in 0,5-Sekunden-Intervallen aufblinkt, zeigt sie an, dass die BATTERIEN FAST VÖLLIG ENTLADEN sind, und dass die USV in Kürze ausgeschaltet wird.
	Kontrollanzeige USV-FEHLER
Ein	Die USV befindet sich in einem vordefinierten Fehlerzustand Auf dem Bildschirm an der Frontplatte werden Erklärungen zum Fehlerzustand und Codeinformationen angezeigt. Um Hinweise zur Fehlerbeseitigung zu erhalten, beziehen Sie sich bitte auf die Anweisungen auf dem Bildschirm und in Ihrem Handbuch.
Aus	Normalbetrieb Wenn diese Kontrollanzeige AUS ist, meldet die USV keine Fehlerbedingungen.

Tastenfunktionen der Frontplatte

Auf der Frontplatte befinden sich fünf Tasten, die Ihnen USV-Steuerungs- und Konfigurationsmöglichkeiten bieten. Verwenden Sie diese fünf Tasten auf der Frontplatte und halten Sie sich an die Eingabeaufforderungen und Auswahloptionen auf dem Bildschirm, um durch die verschiedenen Informations-, Konfigurations- und USV-Steuerungsbildschirme zu navigieren.



EIN/AUS-Taste: Diese Bedientaste bietet Ihnen drei Hauptfunktionen: Einschalten, Ausschalten und USV-Fehler löschen.

Zum EINSCHALTEN der USV in einem geschützten Betriebsmodus bitte diese Taste 3 Sekunden lang gedrückt halten, während die USV über den AC-Eingang ans Stromnetz angeschlossen ist. Lassen Sie die Taste los, wenn der Alarm ertönt, um die USV mit dem zuletzt konfigurierten Stromversorgungskonzept zu starten.

Zum Kaltstart der USV im Batteriemodus bei einem Stromausfall bitte diese Taste 3 Sekunde lang gedrückt halten. Lassen Sie die Taste los, wenn der Alarm ertönt, um die USV im Batteriemodus zu starten.

Zum AUSSCHALTEN der USV, während diese im Batteriemodus oder im geschützten Modus läuft, bitte diese Taste 3 Sekunden lang gedrückt halten. Lassen Sie die Taste los, wenn der Alarm ertönt. Die USV schaltet den AC-Ausgang aus. Trennen Sie die USV nach dem Ausschalten des AC-Ausgangs von der Eingangsspannung, um die USV vollständig auszuschalten.

Zum LÖSCHEN EINES USV-FEHLERS halten Sie diese Taste, wie auf dem Bildschirm angegeben, 3 Sekunden lang gedrückt. Die USV löscht die Fehlerbedingungen und kehrt in den Standby- oder Bypass-Modus zurück.



EINGABE-Taste: Diese Bedientaste wird verwendet, um einen Auswahl zu treffen, Optionen zu bestätigen und zum nächsten Bildschirm zu wechseln, während die USV im Einrichtungsmodus konfiguriert wird. Halten Sie diese Taste gedrückt, wie auf dem Bildschirm im Einrichtungsmodus angegeben, um im Konfigurationsprozess Eingaben vorzunehmen, diese zu bestätigen oder zum nächsten Bildschirm zu wechseln



Pfeiltasten (NACH OBEN/NACH UNTEN): Diese Bedientasten haben zwei Hauptfunktionen: Richtungssteuerung nach oben und unten sowie Öffnen/Verlassen des Einrichtungsmodus (beim gleichzeitigen Drücken). Diese Tasten werden zur Navigation durch die Menüoptionen im Einrichtungsmodus und je nach Bedarf zum Aufwärts- oder Abwärts-Scrollen durch die Bildschirminhalte verwendet.



Zum ÖFFNEN oder VERLASSEN des EINRICHTUNGSMODUS drücken Sie diese beiden Tasten bitte gleichzeitig 3 Sekunden lang. Lassen Sie die Tasten los, wenn der Alarm ertönt. Die USV schaltet automatisch in den Einrichtungsmodus um, wenn beide Tasten gleichzeitig im LCD-Anzeigemodus gedrückt werden. Wenn sich die USV im Einrichtungsmodus befindet und beide Tasten gleichzeitig gedrückt werden, verlässt die USV den Einrichtungsmodus automatisch wieder.



ESCAPE-Taste: Diese Bedientaste hat drei Hauptfunktionen: Alarm abbrechen, Fehler löschen und Zurück/Abbrechen.

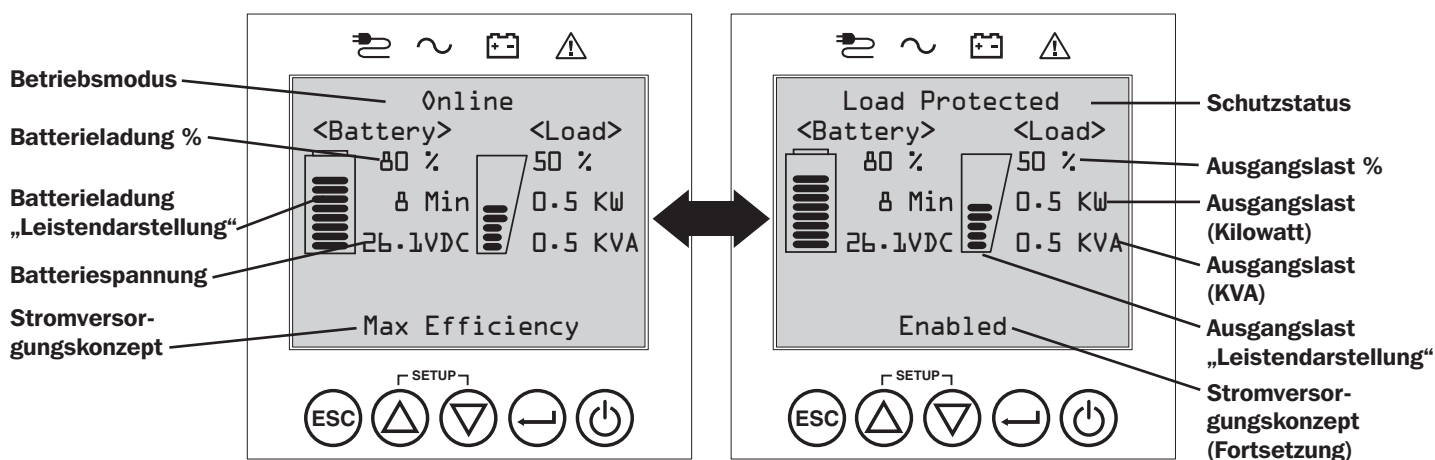
Drücken Sie auf diese Taste, **um einen USV-ALARM ABZUBRECHEN**. Wenn eine neue Alarmbedingung auftritt, ertönt der Alarm erneut.

Zum ABBRECHEN oder um EINE EBENE ZURÜCK zu gehen drücken Sie diese Taste bitte, wie es im Navigations- und Konfigurationsmodus auf dem Bildschirm angegeben wird.

Layout des Startbildschirms

Der LCD-Bildschirm an der USV-Frontplatte ist so eingerichtet worden, dass er unter Verwendung der Startbildschirme NORMALBETRIEB und BATTERIEMODUS fortlaufend Informationen zum USV-Betriebszustand anzeigt, die über den Betriebszustand, den Schutzstatus, das Stromversorgungskonzept und eine Reihe von Batterie- und Lastniveauparametern Auskunft geben.

Startbildschirm Normalbetrieb



Auswahloptionen für Stromversorgungskonzepte

Die Tripp Lite SmartOnline LCD USV-Systeme bieten mehrere integrierte Stromversorgungskonzepte zur Auswahl an, die eine Leistungsoptimierung der USV ermöglichen, um verschiedene Bedürfnisse der Benutzer zu erfüllen: MAXIMALE SPANNUNGSQUALITÄT, MAXIMALER WIRKUNGSGRAD oder FREQUENZREGELUNGS- beziehungsweise FREQUENZWANDLUNGSMODUS. Ein zusätzliches Stromversorgungskonzept AUTOMATISCHE ANPASSUNG vereint die Vorteile eines hohen Wirkungsgrades mit denen einer optimierten Spannungsqualität. Jedes STROMVERSORGUNGSKONZEPT ermöglicht es der USV, je nach Spannungssituation und USV-Status automatisch zwischen bestimmten Betriebsmodi umzuschalten. Verfügbare Stromversorgungskonzepte:

- Das **Stromversorgungskonzept Automatische Anpassung** ermöglicht es der USV, je nach Qualität und Zuverlässigkeit der USV-Eingangsspannung automatisch zwischen dem ONLINE-MODUS und dem ÖKO-MODUS umzuschalten. Wenn innerhalb einer Woche kein Stromausfall aufgetreten ist (außer beim USV-Selbsttest), schaltet die USV automatisch in den ÖKO-Modus um. Wenn ein Stromausfall auftritt, gewährleistet die USV die Ausgangsspannung im BATTERIEMODUS. Nachdem der Stromausfall behoben ist, wechselt die USV zurück in den ONLINE-MODUS, und hält diesen aufrecht, bis erneut eine Woche lang kein Stromausfall aufgetreten ist.
- Das **Stromversorgungskonzept Maximaler Wirkungsgrad** ermöglicht den fortlaufenden Betrieb der USV im ÖKO-MODUS, solange sich die Wechselspannung am Eingang innerhalb des für den Bypass konfigurierten Spannungsbereichs befindet. Wenn die USV-Eingangsspannung außerhalb des für den Bypass konfigurierten Spannungsbereichs liegt, schaltet die USV solange automatisch in den ONLINE-MODUS um, bis sich die AC-Eingangsspannung wieder innerhalb des konfigurierten Bypass-Spannungsbereichs befindet. Dieses Konzept ähnelt dem Stromversorgungskonzept Automatische Anpassung, aber mit dem Unterschied, dass der Wechsel in den ÖKO-MODUS sofort erfolgt, wenn das erforderliche Spannungsniveau wiederhergestellt ist. Hierbei ist kein Zeitraum von einer Woche ohne Stromausfall erforderlich, damit die USV wieder in den ÖKO-MODUS zurückkehrt.
- Das **Stromversorgungskonzept Maximale Spannungsqualität** ermöglicht den fortlaufenden Betrieb der USV im ONLINE-MODUS, solange sich die AC-Eingangsspannung innerhalb des definierten Bereichs für den Online-Modus befindet. Die USV wird auch weiterhin kontinuierlich im Online-Doppelwandlermodus betrieben und liefert ohne Umschaltzeit die höchste Ausgangsspannungsqualität. Der automatische Bypass-Modus ist in den USV-Fehlermodi verfügbar, wenn sich die AC-Eingangsspannung innerhalb des Bypass-Spannungsbereichs befindet.
- Das **Stromversorgungskonzept Frequenzregelung** ähnelt dem Stromversorgungskonzept Maximale Spannungsqualität, aber mit dem Unterschied, dass die USV die Ausgangsfrequenz innerhalb von $\pm 0,05$ Hz der Nennfrequenz von 50 oder 60 Hz (wie beim Start gemessen) aktiv regelt. Die USV wird auch weiterhin kontinuierlich im Online-Doppelwandlermodus betrieben und liefert ohne Umschaltzeit die höchste Ausgangsspannungsqualität. Der automatische Bypass-Modus ist in den USV-Fehlermodi verfügbar, wenn sich die AC-Eingangsspannung innerhalb des Bypass-Spannungsbereichs befindet.
- Das **Stromversorgungskonzept Frequenzwandlung auf 60Hz bzw. 50Hz** ähnelt dem Stromversorgungskonzept Maximale Spannungsqualität, aber mit dem Unterschied, dass die USV die Ausgangsfrequenz innerhalb von $\pm 0,05$ Hz der 50Hz-Frequenz (bei Frequenzwandlung auf 50Hz) bzw. der 60Hz-Frequenz (bei Frequenzwandlung auf 60Hz) aktiv regelt.

Hinweis: Im Frequenzregelungs- bzw. Frequenzwandlungsmodus wird die unterstützte Maximalleistung um 30 % reduziert. Der automatische Bypass ist im FREQUENZWANDLUNGSMODUS nicht verfügbar. Zu den typischen Anwendungen gehört die Frequenzwandlung von 50 auf 60 Hz (oder von 60 auf 50 Hz) für empfindliche Elektrogeräte.

USV-Betriebsmodi

Die Tripp Lite SmartOnline USV-Systeme können unter den im konfigurierten Stromversorgungskonzept angegebenen Bedingungen automatisch zwischen den Betriebsmodi wechseln. Mit den LEDs und auf dem interaktiven LCD-Bildschirm zeigt die USV kontinuierlich den Status an.

- Der **Batteriemo** wird von der USV sofort automatisch als Reaktion auf Stromausfälle und Spannungsänderungen zugeschaltet, die außerhalb des Online-Spannungsbereichs liegen. Im BATTERIEMODUS erhält die USV die sinusförmige AC-Ausgangsspannung durch Speisung aus den Batterien aufrecht. Nachdem der Stromausfall behoben ist, kehrt die USV, wie vom konfigurierten Stromversorgungskonzept vorgeschrieben und je nach den Eingangsspannungsbedingungen, in den geschützten Betriebsmodus zurück.
- Der **Online-Modus** (auch als ONLINE-DOPPELWANDLER-MODUS bezeichnet) bietet das höchste USV-Geräteschutzniveau. Im ONLINE-MODUS wandelt die USV aktiv die Wechselspannung in eine Gleichspannung und anschließend die Gleichspannung wieder in eine Wechselspannung um, um eine Ausgangswechselspannung mit kontinuierlicher Regelung bereitzustellen, die ohne Umschaltzeiten beim Umschalten zwischen dem ONLINE- und BATTERIEMODUS stets innerhalb eines Toleranzbereichs von 2 % in Bezug auf die ausgewählte Nennausgangsspannung liegt.
- Der **Öko-Modus** bietet Ihnen einen Energiesparmodus mit dem höchsten Niveau des Wirkungsgrades, das beim Betrieb der USV möglich ist. Im ÖKO-MODUS spart die USV Energie, indem sie den Online-Doppelwandlerbetrieb immer abschaltet, wenn die Eingangsspannung innerhalb des zulässigen Spannungsbereichs für den ÖKO-MODUS liegt. Wenn die Leitungsspannung außerhalb des zulässigen Spannungsbereichs für den ÖKO-MODUS liegt, reagiert die USV sofort durch automatisches Umschalten auf den ONLINE-MODUS, in dem sie solange verbleibt, bis die erforderliche Leitungsspannung wiederhergestellt ist.
- Der **Frequenzregelungsmodus** ermöglicht es der USV, Frequenzabweichungen der USV-Eingangsspannung zu korrigieren. Siehe Abschnitt **Auswahloptionen für Stromversorgungskonzepte** für weitere Informationen.
- Die **beiden Modi Frequenzwandlung auf 60 Hz bzw. 50 Hz** ermöglichen es der USV, die Frequenz von 50 Hz auf 60 Hz (bzw. von 60 Hz auf 50 Hz) umzuwandeln. Siehe Abschnitt **Auswahloptionen für Stromversorgungskonzepte** für weitere Informationen.

Hinweis: Im Frequenzregelungs- bzw. Frequenzwandlungsmodus wird die unterstützte Maximalleistung um 30 % reduziert.

- Der **Bypass-Modus** stellt eine gefilterte, unregelmäßige Ausgangsspannung für die angeschlossenen Geräte bereit.

Betriebsfunktionen der Stromversorgungskonzepte und unterstützte USV-Betriebsmodi

Das konfigurierte USV-Stromversorgungskonzept stellt das Rahmenkonzept für den USV-Betrieb bereit, wenn die USV auf Basis der Stromversorgungssituation und des USV-Status zwischen den verschiedenen Betriebsmodi umschaltet. Jedes Stromversorgungskonzept bietet einen typischen Satz an Betriebsparametern, an die sich die USV hält, um die Forderungen der Nutzer nach hoher Leistung oder nach einem hohen Wirkungsgrad zu erfüllen. Für fortgeschrittene Anwendungen sind zusätzliche Optionen zur Frequenzregelung und Frequenzwandlung vorhanden. Im folgenden Diagramm sind die jeweiligen USV-Betriebsmodi aufgeführt, die von den einzelnen Stromversorgungskonzepten unterstützt werden.

		USV-BETRIEBSMODI Je nach dem konfigurierten Stromversorgungskonzept, der aktuellen Spannungssituation und dem USV-Status schaltet die USV automatisch zwischen den verschiedenen Betriebsmodi um.			
		Unterstützung für ONLINE-MODUS	Unterstützung für ÖKO-Modus	Unterstützung für BATTERIEMODUS	Unterstützung für AUTO-BYPASS
AUSWAHLOPTIONEN FÜR STROMVERSORUNGSKONZEPTE Die Auswahl Ihres Stromversorgungskonzepts ermöglicht es der USV, wie beschrieben zwischen den einzelnen Betriebsmodi umzuschalten	AUTOMATISCHE ANPASSUNG Nachdem die USV eine Woche lang ohne Stromausfall im ONLINE-MODUS gelaufen ist, wird sie in den Dauerbetrieb im ÖKO-MODUS umgeschaltet.	JA. Wenn sich die Eingangsspannung innerhalb des ONLINE-Spannungsbereichs befindet, aber außerhalb des BYPASS-Spannungsbereichs liegt, sowie nach Wiederherstellung der Netzwechselfspannung.	JA. Wenn sich die Eingangsspannung innerhalb des Spannungsbereichs für den ÖKO-MODUS befindet und eine Woche lang kein Stromausfall aufgetreten ist.	JA.	JA. Im Falle eines Fehlers am USV-Wechselrichter, während sich die Eingangsspannung innerhalb des BYPASS-Spannungsbereichs befindet.
	MAX. QUALITÄT Die USV wird kontinuierlich im ONLINE-MODUS betrieben, um für die angeschlossenen Geräte eine Ausgangsspannung höchster Qualität bereitzustellen.	JA. Wenn sich die Eingangsspannung innerhalb des ONLINE-Spannungsbereichs befindet.	NEIN.	JA.	JA. Im Falle eines Fehlers am USV-Wechselrichter, während sich die Eingangsspannung innerhalb des BYPASS-Spannungsbereichs befindet.
	MAX. WIRKUNGSGRAD Die USV läuft kontinuierlich im ÖKO-MODUS, wenn die Eingangsspannung innerhalb des Bypass-Spannungsbereichs liegt.	JA. Wenn die Eingangsspannung innerhalb des ONLINE-Spannungsbereichs, aber außerhalb des BYPASS-Spannungsbereichs liegt.	JA. Wenn die Eingangsspannung innerhalb des ÖKO-MODUS-Spannungsbereichs liegt.	JA.	JA. Im Falle eines Fehlers am USV-Wechselrichter, während sich die Eingangsspannung innerhalb des BYPASS-Spannungsbereichs befindet.
	FREQUENZREGLER Die USV regelt die Ausgangsfrequenz auf den Nennwert mit einer Toleranz von maximal +/- 0,05 Hz.	JA. Wenn sich die Eingangsspannung innerhalb des ONLINE-Spannungsbereichs befindet.*	NEIN.	JA.	JA. Im Falle eines Fehlers am USV-Wechselrichter, während sich die Eingangsspannung innerhalb des BYPASS-Spannungsbereichs befindet.
	FREQUENZWANDLUNG auf 60 Hz Die USV wandelt eine 50-Hz-Eingangsspannung in eine 60-Hz-Ausgangsspannung um. (+/-0,05 Hz)	JA. Wenn sich die Eingangsspannung innerhalb des ONLINE-Spannungsbereichs befindet.**	NEIN.	JA.	NEIN.
	FREQUENZWANDLUNG auf 50 Hz Die USV wandelt eine 60-Hz-Eingangsspannung in eine 50-Hz-Ausgangsspannung um. (+/-0,05 Hz)	JA. Wenn sich die Eingangsspannung innerhalb des ONLINE-Spannungsbereichs befindet.**	NEIN.	JA.	NEIN.

* An der LCD wird FREQUENZREGELUNG als Betriebsmodus zusammen mit den reduzierten Betriebsdaten für diesen Modus angezeigt.

** An der LCD wird FREQUENZWANDLUNG als Betriebsmodus zusammen mit den reduzierten Betriebsdaten für diesen Modus angezeigt.

LCD-Auswahlmöglichkeiten und Konfigurationsoptionen an der USV-Frontplatte

HAUPTMENÜ / UNTERMENÜ	ANZEIGE-/EINSTELLUNGSOPTIONEN	ANZEIGE-/EINSTELLUNGSBESCHREIBUNG
STATUS		
Ladestatus	<ul style="list-style-type: none"> • Lastniveau (% , kW, kVA, A, PF) • Verfügbare Kapazität (% , kW, kVA) 	USV-Last in Prozent (%), Kilowatt (kW), Kilovoltampere (kVA), Ampere (A) und Leistungsfaktor (PF). Verfügbare USV-Kapazität in Prozent (%), Kilowatt (kW) und Kilovoltampere (kVA).
Eingangs-/Ausgangsstatus	<ul style="list-style-type: none"> • Eingangsspannung und Frequenz (V AC, Hz) • Ausgangsspannung und Frequenz (V AC, Hz) • Lastgruppe 1 (Ein, Aus) • Lastgruppe 2 (Ein, Aus) 	Zeigt die USV-Eingangs- und Ausgangsstatusinformation für die Eingangs-/Ausgangsspannung (V AC), die Frequenz (Hz) und den Betriebsstatus der Ausgangssteckdosengruppe (Ein/Aus) an.
Stromversorgungsstatus	<ul style="list-style-type: none"> • Wirkungsgrad (%) • Durchschnittsleistung (kW/h) • Konfiguriertes Stromversorgungskonzept 	Zeigt den Wirkungsgrad der USV in Prozent (%), den Energieverbrauch der angeschlossenen Geräte in Kilowattstunden (kW/h) und das konfigurierte Stromversorgungskonzept an.
Status der internen Batterie	<ul style="list-style-type: none"> • Installationsdatum (MM/TT/JJJJ) • Ablaufdatum (MM/TT/JJJJ) 	Zeigt das Installationsdatum und das vom Benutzer konfigurierte Ablaufdatum der internen Ersatzbatteriebox an.
Status des externen Batteriepacks	<ul style="list-style-type: none"> • Modell- und Seriennummer des Batteriepacks • Installationsdatum (MM/TT/JJJJ) • Ablaufdatum (MM/TT/JJJJ) 	Zeigt die Modell- und die Seriennummer des externen Batteriepacks (nur bei Tripp Lite SMART-BATTERIEPACKS), das Installationsdatum und das vom Benutzer konfigurierte Ablaufdatum an.
Leistungsflussdiagramm	<ul style="list-style-type: none"> • Anzeige des USV-Betriebsflussdiagramms 	Zeigt die USV-Betriebsmodi in einem grafischen Flussdiagramm an.
STEUERUNG		
Batterietest starten	<ul style="list-style-type: none"> • Löst einen manuellen Batterietest aus 	Löst einen USV-Batterie-Selbsttest mit sofortiger Anzeige des Ergebnisses aus (Erfolgreich/Nicht erfolgreich)
Batteriealter zurücksetzen	<ul style="list-style-type: none"> • Setzt das Batteriealter zurück 	Setzt das Batteriealter auf das aktuelle Datum zurück. Verwenden Sie diese Option nach dem Einbau einer NON-SMART-Batterie.
Fehlerstatus zurücksetzen	<ul style="list-style-type: none"> • Setzt alle Fehlerstatusmeldungen zurück 	Verwenden Sie diese Option, um USV-Fehlermeldungen zu löschen.
Automatischer Batterietest	<ul style="list-style-type: none"> • Intervall für den Batterie-Selbsttest festlegen <ul style="list-style-type: none"> o Deaktivieren o 4 Wochen (Werkseinstellung) o 13 Wochen o 26 Wochen 	Verwenden Sie diese Option, um den automatischen USV-Batterietest in regelmäßigen Intervallen auszulösen.
EREIGNISPROTOKOLL		
Ereignisse mit Batterieauschaltung	<ul style="list-style-type: none"> • Ereigniszähler (nur USV-Ereignisse mit Batterieauschaltung) • Minuten insgesamt (Gesamtbetriebsdauer im Batteriemodus in Minuten) • Letzter Stromausfall (Datum) • Dauer bis zum Batterieausfall-Alarm (in Tagen) • Ereignisdetails (Datum, Uhrzeit und Beschreibung der letzten 20 protokollierten Ereignisse) 	Zeigt eine Zusammenfassung der Ereignisse mit Aktivierung des BATTERIEMODUS an, bei denen sich die USV als Reaktion auf eine der Schutzbedingungen in den Batteriemodus umgeschaltet hat. In den Ereignisdetails sind die letzten 20 Ereignisse mit Batterieauschaltung aufgelistet. Wenn weitere Alarme auftreten, werden jeweils die ältesten Einträge automatisch entfernt.
Alle Ereignisse	<ul style="list-style-type: none"> • Ereigniszähler (alle Ereignisse) • Neueste Ereignisse (Datum) • Datum-/Uhrzeit-Protokoll • Ereignisdetails (Datum, Uhrzeit und Beschreibung aller protokollierten Ereignisse) 	Zeigt eine Zusammenfassung aller aufgezeichneten Ereignisse an. In den Ereignisdetails sind die letzten 20 Ereignisse aufgelistet. Wenn weitere Alarme auftreten, werden jeweils die ältesten Einträge automatisch entfernt.
Batterieereignisse zurücksetzen	<ul style="list-style-type: none"> • Setzt nur Ereignisse mit Batterieauschaltung zurück 	Setzt alle Daten in den Bildschirmen für Ereignisse mit Batterieauschaltung zurück.
Alle Ereignisse zurücksetzen	<ul style="list-style-type: none"> • Setzt alle Ereignisse zurück 	Setzt alle Daten für in allen Ereignisbildschirmen zurück.
EINSTELLUNGEN		
Grundeinstellungen	System <ul style="list-style-type: none"> • Aktuelles Datum (Anzeige, Datum einstellen) • Aktuelle Uhrzeit (Anzeige, Uhrzeit einstellen) • Akustischer Alarm (aktivieren, deaktivieren) • Sprache (auswählen) 	Das Datum, die Uhrzeit, der akustische Alarmstatus und die Spracheinstellungen werden angezeigt, eingestellt oder zurückgesetzt. Hinweis: Wenn Sie den akustischen Alarm DEAKTIVIEREN, werden nur Alarme bei Stromausfällen und Betriebsfehlern verhindert. Die USV gibt jedoch immer noch einen Signalton aus, um die Benutzereingabe mit den Navigationstasten an der Frontplatten-LCD zu bestätigen.
	Ausgangsspannung <ul style="list-style-type: none"> • 200 • 208 • 220 • 230 • 240 	Verwenden Sie die Option EINSTELLUNGEN/GRUNDEINSTELLUNGEN/AUSGANGSSPANNUNG, um die USV-Nennausgangsspannung anzuzeigen oder festzulegen (Änderungen werden beim nächsten Neustart übernommen).

HAUPTMENÜ / UNTERMENÜ	ANZEIGE-/EINSTELLUNGSOPTIONEN	ANZEIGE-/EINSTELLUNGSBESCHREIBUNG
EINSTELLUNGEN		
Grundeinstellungen (Fortsetzung)	Stromversorgungskonzept: <ul style="list-style-type: none"> • Auto-Anpassung • Max. Wirkungsgrad • Max. Qualität • Frequenz- Regelung • Frequenz- Wandlung auf 60 Hz • Frequenz- Wandlung auf 50 Hz 	Verwenden Sie die Einstellungsoption EINSTELLUNGEN/GRUNDEINSTELLUNGEN/STROMVERSORGUNGSKONZEPT, um das USV-Stromversorgungskonzept anzuzeigen oder einzustellen. Im Abschnitt Auswahloptionen für Stromversorgungskonzepte unter Betrieb finden Sie weitere Informationen zu den vorhandenen, auswählbaren Stromversorgungskonzepten.
	Batterie: <ul style="list-style-type: none"> • Konfiguration externer Batterien <ul style="list-style-type: none"> o Konfiguration über USV o PC-Konfiguration o Batteriewechsel • Batteriealter-Alarm 	Verwenden Sie die Einstellungsoption EINSTELLUNGEN/GRUNDEINSTELLUNGEN/BATTERIE, um die USV mit externen Batteriepacks zu konfigurieren. Die Einstellung Batteriewechsel kann verwendet werden, um für externe Non-Smart Batterien desselben Typs das Installationsdatum zu aktualisieren. Außerdem legt sie auch die vorgesehene Lebensdauer der Batterie für den Batteriealter-Alarm fest, der Sie an den fälligen Wechsel der Batterie erinnert. Im Abschnitt Konfiguration externer Batteriepacks unter Betrieb finden Sie Informationen dazu, wie Sie externe Batteriepacks konfigurieren.
Erweiterte Einrichtung	System: <ul style="list-style-type: none"> • Bildschirmhelligkeit <ul style="list-style-type: none"> o Hoch o Mittel (Werkseinstellung) o Niedrig • Dimmung der Hintergrundbeleuchtung: Geben Sie 10 bis 120 Sekunden ein (Werkseinstellung ist nach 60 Sekunden) • Passwort: Legen Sie Ihr 4-stelliges Passwort fest (Werkseinstellung ist 0000) • Zurücksetzen auf Werkseinstellungen (setzt alle USV-Einstellungen auf die Werkseinstellungen zurück, einschließlich der Batteriekonfigurationen) 	Verwenden Sie die Einstellungsoption EINSTELLUNGEN/ERWEITERT/SYSTEM, um Bildschirmhelligkeit, den Dimmzeitpunkt für die Hintergrundbeleuchtung, das Passwort oder das Zurücksetzen auf die Werkseinstellungen einzustellen.
	Eingang/Ausgang: <ul style="list-style-type: none"> • Alarmniveau Überlast: Geben Sie einen Wert zwischen 5 und 105 % ein (die Werkseinstellung ist 100 %) • Konfiguration Fehleraktion (USV-Reaktion auf einen Fehler) <ul style="list-style-type: none"> o Auf Bypass umschalten (Werkseinstellung) o Auf Standby umschalten 	Verwenden Sie EINSTELLUNGEN/ERWEITERT/EINGANG-AUSGANG für die folgenden Optionen: Legen Sie die USV-Ausgangslast in Prozent fest, bei deren Überschreiten ein Überlast-Alarm gesendet wird. Legt die USV-Reaktion auf Fehlerbedingungen fest, die verlangen, dass die USV den Doppelwandler-Modus verlässt. Bei der Option AUF BYPASS UMSCHALTEN bleibt die AC-Ausgangsspannung erhalten (so lange sich die Eingangsspannung innerhalb der Grenzen des Bypass-Spannungsbereichs (Minimum und Maximum) befindet). Die Option AUF STANDBY UMSCHALTEN führt dazu, dass die USV die AC-Ausgangsspannung als Reaktion auf Fehlerbedingungen ausschaltet.
	<ul style="list-style-type: none"> • Untergrenze für Bypass-Modus: Geben Sie einen Wert zwischen -5% und -20% ein (die Werkseinstellung ist -15%) • Obergrenze für Bypass-Modus: Geben Sie einen Wert zwischen +5% und +20% ein (die Werkseinstellung ist +10%) 	Dieser Wert legt die niedrigste Eingangsspannung fest, die für den Bypass-Betrieb noch akzeptiert werden kann. Dieser Wert legt die höchste Eingangsspannung fest, die für den Bypass-Betrieb noch akzeptiert werden kann.
	Ein/Aus: <ul style="list-style-type: none"> • Kaltstart <ul style="list-style-type: none"> o Aktivieren (Werkseinstellung) o Deaktivieren • Automatischer Neustart <ul style="list-style-type: none"> o Aktivieren (Werkseinstellung) o Deaktivieren • Verzögerter automatischer Neustart <ul style="list-style-type: none"> o Eingabe: 0 bis 60 Sekunden (die Werkseinstellung ist 0 Sekunden) 	Verwenden Sie EINSTELLUNGEN/ERWEITERT/EIN-AUS für die folgenden Optionen: Mit aktiviertem Kaltstart können Sie die USV bei einem Stromausfall manuell in den Batteriemodus umschalten . Bei aktiviertem automatischem Neustart kann die USV automatisch in den geschützten Betriebsmodus zurückkehren, sobald nach einem Stromausfall die Netzspannung wieder anliegt . Ein verzögerter automatischer Neustart zwingt die USV, einen automatischen Neustart erst nach Ablauf einer Verzögerungszeit von 0 bis 60 Sekunden durchzuführen, wenn nach einem Stromausfall die Netzspannung wieder anliegt. Dazu muss der automatische Neustart aktiviert sein, wenn der Stromausfall vorüber ist .
	<ul style="list-style-type: none"> • Energieeinsparung <ul style="list-style-type: none"> o Eingabe: 0-100% o Deaktivieren (Werkseinstellung) • Aus-Modus <ul style="list-style-type: none"> o Standby o Bypass (Werkseinstellung) 	Durch die Einstellung Energieeinsparung aktivieren Sie eine automatische Abschaltung der USV, wenn die Ausgangslast fünf Minuten lang unterhalb des ausgewählten Prozentsatzes liegt. Durch die Aus-Moduseinstellung für den BYPASS kann die USV eine unregelmäßige Leitungsspannung innerhalb des konfigurierten Bypass-Spannungsbereichs (Obergrenze/Untergrenze) am Ausgang der USV bereitstellen, wenn die USV ausgeschaltet ist .
	<ul style="list-style-type: none"> • Batteriemindestladung für Neustart <ul style="list-style-type: none"> o Eingabe: 10-90% o Deaktivieren (Werkseinstellung) 	Die Batteriemindestladung für den Neustart zwingt die USV, vor dem automatischen Neustart so lange zu warten, bis die Batterien auf den ausgewählten Ladestand in Prozent aufgeladen sind. Hinweis: Mit der Ein/Aus-Taste lässt sich die USV manuell starten, wenn der Ladezustand der Batterie unter der Batteriemindestladung für den Neustart liegt. Dazu muss der automatische Neustart aktiviert sein, wenn der Stromausfall vorüber ist.

HAUPTMENÜ / UNTERMENÜ	ANZEIGE-/EINSTELLUNGSOPTIONEN	ANZEIGE-/EINSTELLUNGSBESCHREIBUNG
EINSTELLUNGEN		
Erweiterte Einrichtung (Fortsetzung)	Batteriebetrieb: <ul style="list-style-type: none"> • Alarm niedriger Batteriestand <ul style="list-style-type: none"> o Eingabe: 10 bis 90 % (die Werkseinstellung ist 20 %) • Verzögerte Abschaltung <ul style="list-style-type: none"> o Eingabe: 15, 30, 45 Sekunden, 1 bis 30 Minuten. o Deaktivieren (Werkseinstellung) • Abschaltung bei niedrigem Batteriestand <ul style="list-style-type: none"> o Eingabe: 5-100% o Deaktivieren (Werkseinstellung) 	<p>Ermöglicht es der USV, einen Alarm bei niedrigem Batteriestand auszugeben, wenn die Batterien während eines Stromausfalls bis zum ausgewählten Ladezustand entladen werden.</p> <p>Die verzögerte Abschaltung legt die maximale Betriebsdauer in Sekunden oder Minuten fest, über welche die USV bei einem Stromausfall im Batteriemodus läuft. Verwenden Sie die Einstellung DEAKTIVIEREN zur Auswahl der maximal möglichen Dauer im Batteriebetrieb.</p> <p>Die Option Abschaltung bei niedrigem Batteriestand legt den maximalen Batterieentladungszustand fest. Wenn dieser unterschritten wird, kommt es zur Abschaltung der USV wegen zu niedrigem Batteriestand. Wenn Sie DEAKTIVIEREN auswählen, können sich die Batterien bis zu einem Ladestand von 0 % entladen, bevor die USV ausgeschaltet wird.</p> <p>Durch die „Signaltonverzögerung“ für den Batteriebetrieb kann der akustische Alarm um bis zu 120 Sekunden verzögert werden, um zu verhindern, dass der Alarm bereits bei kurzzeitigen Stromausfällen ertönt.</p> <p>Die USV sendet vor ihrer Abschaltung noch eine Abschaltungsmeldung an alle angeschlossenen Systeme. Die Einstellung UNTERBRECHUNG OK unterbricht das Senden der Abschaltungsmeldung, wenn die Stromzufuhr wiederhergestellt wird, nachdem mit dem Senden der Meldung begonnen wurde.</p>
	USB/DB9-Einstellungen: <ul style="list-style-type: none"> • DB9-Einstellungen <ul style="list-style-type: none"> o Ausgangskontakte 1 und 5 <ul style="list-style-type: none"> - Batteriebetrieb (Werkseinstellung) - Bypass-Betrieb - Ausgang ein - Niedriger Batteriestand o Ausgangskontakte 8 und 5 <ul style="list-style-type: none"> - Batteriebetrieb - Bypass-Betrieb - Ausgang ein - Niedriger Batteriestand (Werkseinstellung) o Eingangskontakte 3 und 9 <ul style="list-style-type: none"> - Abschaltung (Werkseinstellung) - Ausgang aus - Neustart - Ausgang ein - Ein-/Ausschalteingang • USV-Signal verloren <ul style="list-style-type: none"> o Leitungsmodus-Einrichtung <ul style="list-style-type: none"> - Keine Aktion (Werkseinstellung) - USV nach Verzögerung neu starten - Last 1 nach Verzögerung neu starten - Last 2 nach Verzögerung neu starten o Batteriemodus-Einstellung <ul style="list-style-type: none"> - Bis zu niedrigem Batteriestand (Werkseinstellung) - Abschaltung nach Verzögerung o USB-Signalverlust-Timer <ul style="list-style-type: none"> - Eingabe: 10 bis 60 Sekunden - Werkseinstellung: 30 Sekunden 	<p>Die USV signalisiert die ausgewählte Bedingung, indem die Kontakte 1 und 5 am DB9-Port überbrückt werden.</p> <p>Die USV signalisiert die ausgewählte Bedingung, indem die Kontakte 8 und 5 am DB9-Port überbrückt werden.</p> <p>Die USV führt die ausgewählte Aktion aus, wenn die Kontakte 3 und 9 am DB9-Port mindestens 3,8 Sekunden lang überbrückt werden.</p> <p>Für die Neustartoption (Ausgang muss vor dem Neustart erst 30 Sekunden lang ausgeschaltet sein): Bitte beachten Sie, dass die Kontakte mindestens 3,8 Sekunden lang überbrückt bleiben müssen, um einen Neustart auszuführen. Der Neustart erfolgt nach genau 3,8 Sekunden. Wenn die Kontakte länger als 3,8 Sekunden überbrückt werden, wird keine weitere Aktion ausgeführt. Die USV führt beim Aufheben der Überbrückung keine Aktion aus.</p> <p>Die Option Ein-/Ausschalteingang soll sicherstellen, dass die USV stets eingeschaltet bleibt, solange die Kontakte nicht überbrückt sind, aber stets ausgeschaltet wird, sobald die Kontakte überbrückt werden. Bitte beachten Sie, dass die USV über diesen Eingang nicht aus dem Aus-Zustand eingeschaltet werden kann, außer wenn eine vorschriftsmäßige AC-Eingangsspannung anliegt (diese Funktion erzwingt keinen Kaltstart). Zum Einschalten müssen die Kontakte mindestens 3,8 Sekunden lang nicht überbrückt sein und die AC-Eingangsspannung muss sich im zulässigen Bereich befinden. Zum Ausschalten müssen die Kontakte mindestens 3,8 Sekunden lang überbrückt werden.</p> <p>Die USV führt die ausgewählte Aktion aus, wenn das USB-Signal eines angeschlossenen Geräts im Leitungsspannungsbetrieb mindestens für die eingestellte Zeitdauer verloren geht.</p> <p>Die USV führt die ausgewählte Aktion aus, wenn das USB-Signal eines angeschlossenen Geräts im Batteriespannungsbetrieb mindestens für die eingestellte Zeitdauer verloren geht.</p> <p>Diese Einstellung legt die Zeitdauer fest, für wie lange das USB-Signal eines Geräts abwesend sein muss, bevor die für den Leitungsspannungs-/Batteriespannungsbetrieb ausgewählte Aktion ausgeführt wird.</p>
INFO		
USV-Informationen	USV-Modellnummer, USV-Seriennummer und USV-Installationsdatum	Das USV-Installationsdatum wird vom Gerät nach zwei Stunden ununterbrochenem Betrieb automatisch eingestellt.
Netzwerk-ID	Zubehörkarte für Webverwaltung-Firmware, IPv4-Adresse, IPv6-Adresse, MAC-Adresse	
Firmware	USV-Firmware	

Konfiguration externer Batteriepacks

Tripp Lite SmartOnline INT USV-Systeme unterstützen den Anschluss externer Batteriepacks, um eine Verlängerung der USV-Betriebszeit zu ermöglichen. Damit die USV brauchbare Ladezustände und genaue Betriebsdauervorschauwerte für die Batterien zur Optimierung der Netzbetriebszeit vor dem Absenden automatischer Abschaltungsmeldungen bereitstellt, müssen die externen Batteriepacks bereits bei der Installation in der USV konfiguriert werden.

Abhängig vom ausgewählten Typ und der Anzahl der Batteriepacks können externe Batteriepacks auf drei verschiedene Arten an der USV konfiguriert werden. Einige Batteriepack-Konfigurationen können nach mehr als einer Konfigurationsmethode verlangen.

EXTERNE BATTERIEN können auf folgende Arten an der USV konfiguriert werden:	AUTOMATISCH (mit SMART-Batteriepacks)	MANUELL (über LCD-Bildschirm)	Mit der SOFTWARE für die EXTERNE BATTERIEKONFIGURATION
Batteriepack-Kompatibilität	Die USV unterstützt die automatische Erkennung von bis zu 6 SMART-BATTERIEPACKS, die an die USV angeschlossen sind.	Der LCD-Bildschirm kann verwendet werden, um NON-SMART-BATTERIEPACKS und zusätzlich zu den 6 Packs, die automatisch erkannt werden, weitere Batteriepacks zu konfigurieren.	Die Software für die externe Batteriekonfiguration kann verwendet werden, um die USV für eine unterstützte Anzahl an SMART- und NON-SMART-Batteriepacks zu konfigurieren.

Tripp Lite SMART-Batteriepacks umfassen eine verkabelte Datenverbindung, um die automatische Erkennung und Konfiguration von bis zu 6 SMART-Batteriepacks an der USV zu ermöglichen. Ältere Modelle von Tripp Lite NON-SMART-Batteriepacks werden für Anwendungen mit verlängerter Batteriebetriebszeit auch unterstützt, erfordern dazu jedoch die Benutzerkonfiguration über den LCD-Bildschirm oder die Software für die EXTERNE BATTERIEKONFIGURATION.

Optionen für externe SmartOnline LCD SMART- und NON-SMART-Batteriepacks

	SUINT1000LCD2U	SUINT1500LCD2U	SUINT2200LCD2U	SUINT3000LCD2U / SU3000LCD2UHV
Unterstützte „SMART“ BATTERIEPACKS	BP24V36-2US	BP36V27-2US	BP48V27-2US	BP72V18-2US
Unterstützte ÄLTERE „NON-SMART“ BATTERY PACKS	BP24V15RT2U (Limit 1) BP24V28-2U (Limit 1) BP24V70-3U	BP36V15-2U (Limit 1) BP36V42-3U	BP48V24-2U (Limit 1) BP48V60RT3U	BP72V15 (Limit 1) BP72V28RT3U

Konfiguration von SMART- und NON-SMART-BATTERIEPACKS über den LCD-Frontplattenbildschirm

Zusätzlicher Anschluss von bis zu 6 SMART-BATTERIEPACKS an die USV

Jede SmartOnline-USV ist mit einem fest vorgesehenen SMART-BATTERIEPACK ausgestattet. An die USV können jedoch bis zu 6 SMART-Batteriepacks angeschlossen werden, die voll automatisch erkannt und konfiguriert werden. SMART-Batteriepacks umfassen eine verkabelte Datenverbindung, die zur automatischen Erkennung und Konfiguration durch die USV mit dem USV-Batteriepack-Erkennungsport verbunden ist.


Um die USV für bis zu 6 SMART-BATTERIEPACKS zu konfigurieren, schließen Sie das beigelegte STROMVERSORGUNGS- und DATENKABEL zwischen der USV und dem ersten SMART-BATTERIEPACK an. Schließen Sie daraufhin die STROMVERSORGUNGS- und DATENKABEL für weitere SMART-BATTERIEPACKS an das jeweils davor liegende Batteriepack an. Die USV führt eine automatische Erkennung und Konfiguration für bis zu 6 SMART-BATTERIEPACKS durch.

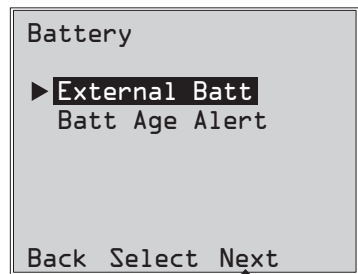
Zusätzlicher Anschluss von mehr als 6 SMART-BATTERIEPACKS an die USV

Die SmartOnline USV-Systeme erkennen bis zu 6 SMART-BATTERIEPACKS automatisch. Sie können die USV jedoch für mehr als 6 SMART-BATTERIEPACKS konfigurieren, indem Sie alle weiteren SMART-PACKS als NON-SMART konfigurieren. Wenn Sie die USV mit mehr als 6 SMART-BATTERIEPACKS konfigurieren wollen, müssen Sie die BPs 1 bis 6 unter Verwendung des oben aufgeführten Konfigurationsverfahrens mit BP-Erkennungsport konfigurieren. Konfigurieren Sie anschließend SMART-BATTERIEPACK 7 und alle weiteren SMART-BATTERIEPACKS sowie alle weiteren unterstützten Batteriepackmodelle für den Anschluss als NON-SMART-BATTERIEPACKS. Weitere Informationen finden Sie im Abschnitt NON-SMART-Batteriepacks hinzufügen.

Zusätzlicher manueller Anschluss von BATTERIEPACKS an die USV (SMART und NON-SMART Batteriepacks)

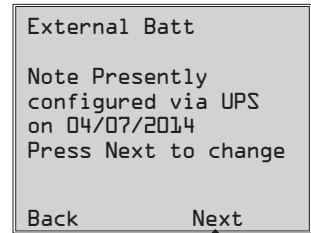
Wenn Sie mehr als die 6 SMART-Batteriepacks an die USV anschließen, die die USV automatisch erkennen kann ODER die als unterstützte NON-SMART-Batteriepacks an die USV angeschlossen sind, können Sie diese über die LCD-Schnittstelle an der Frontplatte der USV konfigurieren. Installieren Sie zuerst die Stromversorgungsanschlüsse zwischen USV und Batteriepack, wie in der Batteriepack-Dokumentation beschrieben. Wählen Sie dann im Konfigurationsbildschirm EINSTELLUNGEN/GRUNDEINSTELLUNGEN/BATTERIE die Menüoption EXTERNE BATTERIE aus (siehe Abschnitte **Funktionen der Tasten an der Frontplatte** und **Frontplatte mit LCD-Auswahl und Konfigurationsoptionen** unter **Betrieb** für entsprechende Anweisungen).

- 1 Wählen Sie im Menü EINSTELLUNGEN/GRUNDEINSTELLUNGEN/BATTERIE die Option EXTERNE BATTERIE aus und drücken Sie auf WEITER .

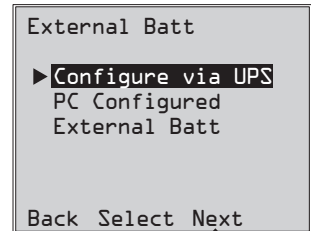


Betrieb

- 2** Auf dem LCD-Bildschirm werden die aktuellen Konfigurationseinstellungen angezeigt. Drücken Sie auf WEITER \ominus , um die Konfiguration zu bearbeiten.



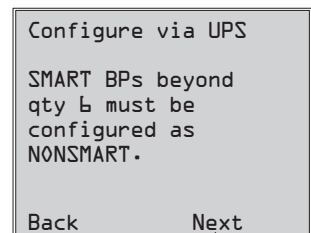
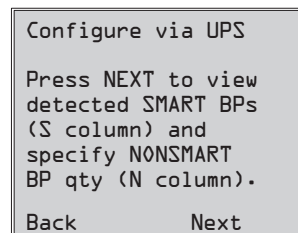
- 3** Wählen Sie KONFIGURATION ÜBER USV aus und drücken Sie auf WEITER \ominus .



- 4** Auf dem LCD-Bildschirm werden Sie nun aufgefordert, zum nächsten Bildschirm zu gehen, indem die SMART- und NON-SMART-Batteriepacks konfiguriert werden können.

Wählen Sie WEITER aus \ominus ...

Hinweis: Die Anzeige zeigt abwechselnd zwei Bildschirme an, damit der gesamte Text dargestellt werden kann.



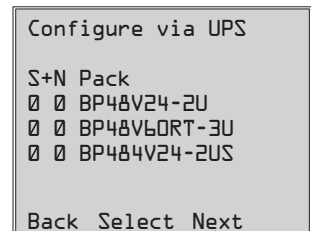
- 5** Auf dem LCD-Bildschirm wird eine Liste der unterstützten externen Batteriepacks angezeigt. In der Spalte davor wird die Anzahl der konfigurierten SMART- und NON-SMART-Batteriepacks angezeigt. SMART-BATTERIEPACKS, die über den BP-ERKENNUNGSPORT erkannt werden, werden zusammen mit der entsprechenden Anzahl zwischen 1 und 6 in der Spalte „S“ in diesem Bildschirm angezeigt.

Um NON-SMART-Batterien und alle SMART-Batterien, die zusätzlich zu den 6 automatisch erkannten Batterien angeschlossen sind, zu konfigurieren, verwenden Sie die Tasten NACH OBEN/NACH UNTEN \uparrow/\downarrow und WEITER \ominus . Nachdem Sie das letzte Batteriepack in der Liste konfiguriert haben, drücken Sie entweder auf ZURÜCK ESC ESC , wenn Sie Ihre Eingabe bearbeiten wollen, oder auf ÜBERNEHMEN \ominus , wenn Sie die neuen Werte bestätigen wollen.

Hinweis: In der Spalte „S“ wird die Anzahl der konfigurierten SMART-Batteriepacks angezeigt und in der Spalte „N“ die Anzahl der konfigurierten NON-SMART-Batteriepacks.

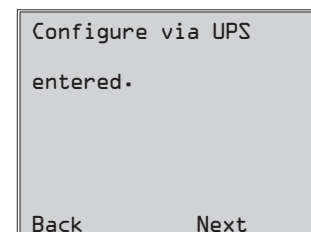
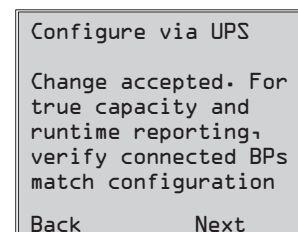
Hinweis: Wenn Sie die Taste NACH OBEN oder NACH UNTEN drücken, wird der Wert in der Spalte „N“ geändert. Wenn Sie auf WEITER drücken, bewegt sich der Cursor eine Zeile nach unten.

Hinweis: Wenn die letzte Zeile erreicht wird, wird statt WEITER die Schaltfläche ÜBERNEHMEN angezeigt.



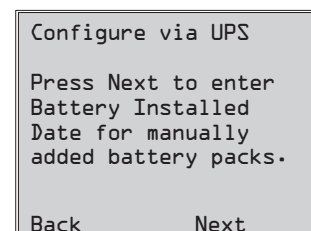
- 6** Nachdem die manuell eingegebenen NON-SMART-Batteriepacks an die USV angeschlossen worden sind, wird auf dem LCD-Bildschirm eine Meldung angezeigt, die die Übernahme der Änderung bestätigt. Außerdem werden Sie aufgefordert, zu überprüfen, ob die tatsächlich vorhandene Konfiguration externer Batteriepacks mit der Konfiguration in der USV übereinstimmt.

Drücken Sie auf WEITER \ominus , um den nächsten Bildschirm anzuzeigen.



- 7** Der LCD-Bildschirm fordert Sie nun auf, auf WEITER \ominus zu drücken, um das Installationsdatum für alle manuell konfigurierten, externen Batteriepacks einzugeben.

Der daraufhin angezeigte Bildschirm ermöglicht es Ihnen, entweder das aktuelle Datum für die Installation auszuwählen oder ein früheres Installationsdatum einzugeben, falls das BP bereits zu einem früheren Datum angeschlossen wurde.

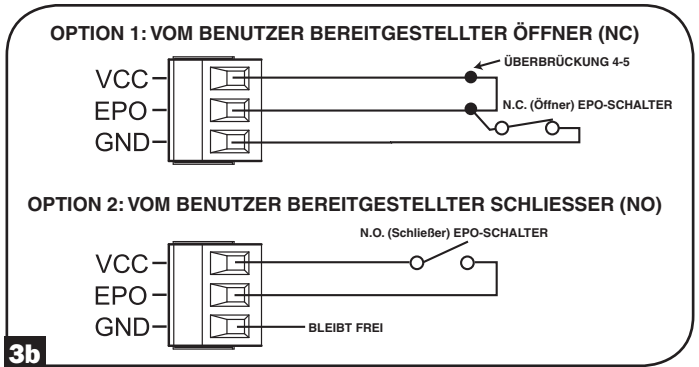
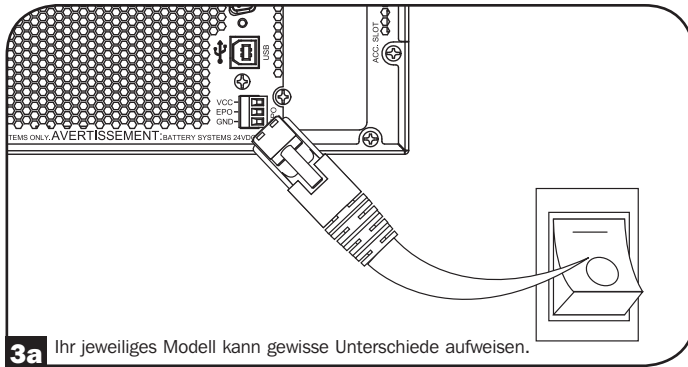


Optionale Anschlüsse

3 EPO-Port-Anschluss

Diese optionale Funktion ist nur für Anwendungen bestimmt, die den Anschluss an einen EPO-Stromkreis (Emergency Power Off) eines Gebäudesystems verlangen. Wenn die USV an einen solchen Stromkreis angeschlossen ist, wird in einem Notfall die Abschaltung des USV-Wechselrichters ermöglicht und die Umschaltung den internen Bypass verhindert. Verbinden Sie den EPO-Port der USV (siehe **3a**) mit einem vom Benutzer bereitgestellten Schalter (Öffner (NC) oder Schließer (NO)) gemäß Schaltplan (siehe **3b**).

Hinweis: Wenn ein nicht selbsthaltender EPO-Schalter verwendet wird, muss der EPO-Schalter mindestens eine Sekunde lang betätigt werden. Dies gilt nicht für selbsthaltende EPO-Schalter.



USV-Status bei EPO-Auslösung, wenn die AC-Eingangsspannung im zulässigen Bereich liegt:

AC-Ausgangsspannung	LCD-Bildschirmstatus	LED-Status
Aus	EPO aktiv	Nur die Kontrollanzeige AC-Eingang leuchtet.

Zum Neustart der USV nach EPO-Auslösung, wenn die AC-Eingangsspannung im zulässigen Bereich liegt, folgendermaßen vorgehen:

1. Überprüfen Sie, ob die EPO-Auslösung rückgängig gemacht oder gelöscht wurde.
2. Halten Sie die EIN/AUS-Taste solange gedrückt, bis Sie einen Signalton hören. Die USV startet nun in einem der vorkonfigurierten normalen Betriebsmodi.

USV-Status bei EPO-Auslösung, wenn die AC-Eingangsspannung nicht im zulässigen Bereich liegt (Batteriemodus):

AC-Ausgangsspannung	LCD-Bildschirmstatus	LED-Status
Aus	EPO aktiv	Aus

Zum Neustart der USV nach EPO-Auslösung, wenn keine zulässige AC-Eingangsspannung anliegt, folgendermaßen vorgehen:

1. Überprüfen Sie, ob die EPO-Auslösung rückgängig gemacht oder gelöscht wurde.
2. Warten Sie, bis sich die LCD vollständig ausgeschaltet hat.
3. Halten Sie die EIN/AUS-Taste solange gedrückt, bis Sie einen Signalton hören. Die USV startet nun im Batteriemodus.

Zum Neustart der USV nach EPO-Auslösung, wenn die AC-Eingangsspannung im zulässigen Bereich liegt, folgendermaßen vorgehen:

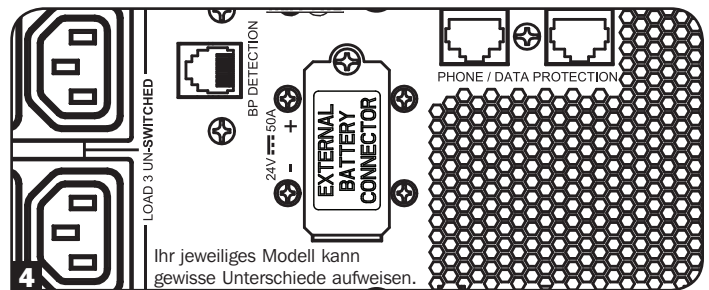
1. Überprüfen Sie, ob die EPO-Auslösung rückgängig gemacht oder gelöscht wurde.
2. Warten Sie, bis sich die LCD vollständig ausgeschaltet hat.
3. Legen Sie die AC-Eingangsspannung wieder an und halten Sie die EIN/AUS-Taste solange gedrückt, bis Sie einen Signalton hören. Die USV startet nun in einem der vorkonfigurierten normalen Betriebsmodi.

Hinweis: Wenn die AC-Eingangsspannung wieder angelegt wird, bevor die LCD vollständig ausgeschaltet ist, wird die USV automatisch in einem der vorkonfigurierten normalen Betriebsmodi im Leitungsmodus neu gestartet, ohne dass die EIN/AUS-Taste gedrückt werden muss.

Optionale Anschlüsse

4 Externer Batterieanschluss

Im **Zusätzliches Zubehör** unter **Übersicht** sind die kompatiblen Batteriepacks und die maximale Anzahl möglicher Batteriepacks für Ihr USV-System aufgeführt. Stellen Sie sicher, dass Ihr Batteriepack der Spannung entspricht, die neben dem USV-Batterieanschluss angegeben ist. Durch den zusätzlichen Anschluss externer Batterien verlängern Sie sowohl die Ladezeit als auch die Betriebszeit. Vollständige Installations- und Einrichtungsanweisungen finden Sie im Benutzerhandbuch des Batteriepacks. Stellen Sie sicher, dass alle Kabel fest und sicher mit den jeweiligen Steckverbindern verbunden sind. Beim Anschluss einer Batterie kann es zu einer leichten Funkenbildung kommen - dies ist normal. Wenn die USV im Batteriemodus betrieben wird, dürfen Sie keine Batteriepacks anschließen oder entfernen!



WICHTIG! Damit die Vorschauwerte für die verbleibende Betriebszeit mit den angeschlossenen externen Batteriepacks in den LCD- und Software-Informationsbildschirmen korrekt angezeigt werden, müssen Sie alle angeschlossenen Packs über den LCD-Bildschirm oder die Tripp Lite Software für die externe Batteriekonfiguration konfigurieren. Siehe Abschnitt Konfiguration externer Batteriepacks unter Betrieb.

ACHTUNG: Die Batterien dürfen weder geöffnet noch beschädigt werden. Die dabei freigesetzten Stoffe sind schädlich für Haut und Augen und können außerdem giftig sein. Halten Sie die folgenden Vorsichtsmaßnahmen ein, wenn Sie mit Batterien arbeiten: Überprüfen Sie, ob die Batterie versehentlich geerdet wurde. Entfernen Sie den Erdanschluss von der Batterie, wenn dies der Fall ist. Die Berührung einer geerdeten Batterie kann einen Stromschlag zur Folge haben. Die Gefahr eines Stromschlages kann reduziert werden, indem Sie die Erdanschlüsse für die Dauer der Installations- und Wartungsarbeiten entfernen. (Dies trifft für Geräte und Remote-Stromversorgungen mit Batterien zu, die keinen geerdeten Netzstromkreis haben.)

Fehlerbehebung und Ereignisprotokoll

Das folgende Diagramm enthält Erklärungen der USV-Fehler und Warnmeldungen im Ereignisprotokoll, auf das Sie über den LCD-Bildschirm oder die PowerAlert-Software zugreifen können, sowie Vorschläge zur Behebung jedes Fehlers/jeder Warnmeldung.

Fehler/Alarm	LCD-Kopfmeldung	LCD-Bildschirmmeldung	LCD-Ereignisprotokollanzeige (Ereignistyp mit Datum-/Zeitstempel)	Fehler oder Alarm?	Weitere Kommentare
Interne USV-Fehler/Defekte:					
BUS-Anfangsspannung niedrig	Wechselrichter-Fehler 1	Wechselrichter-Fehler. USV neu starten. Bei Weiterbestehen des Problems Tripp Lite kontaktieren.	MM/TT/JJJJ Wechselrichter-Fehler 1 hh:mm	USV-Fehler	
Bus-Überspannung	Wechselrichter-Fehler 2	Wechselrichter-Fehler. USV neu starten. Bei Weiterbestehen des Problems Tripp Lite kontaktieren.	MM/TT/JJJJ Wechselrichter-Fehler 2 hh:mm	USV-Fehler	
Bus-Unterspannung	Wechselrichter-Fehler 3	Wechselrichter-Fehler. USV neu starten. Bei Weiterbestehen des Problems Tripp Lite kontaktieren.	MM/TT/JJJJ Wechselrichter-Fehler 3 hh:mm	USV-Fehler	
Busspannung unsymmetrisch	Wechselrichter-Fehler 4	Wechselrichter-Fehler. USV neu starten. Bei Weiterbestehen des Problems Tripp Lite kontaktieren.	MM/TT/JJJJ Wechselrichter-Fehler 4 hh:mm	USV-Fehler	
Fehler Softstart Wechselrichter	Wechselrichter-Fehler 5	Wechselrichter-Fehler. USV neu starten. Bei Weiterbestehen des Problems Tripp Lite kontaktieren.	MM/TT/JJJJ Wechselrichter-Fehler 5 hh:mm	USV-Fehler	
Wechselrichter-Überspannung	Wechselrichter-Fehler 6	Wechselrichter-Fehler. USV neu starten. Bei Weiterbestehen des Problems Tripp Lite kontaktieren.	MM/TT/JJJJ Wechselrichter-Fehler 6 hh:mm	USV-Fehler	
Wechselrichter-Unterspannung	Wechselrichter-Fehler 7	Wechselrichter-Fehler. USV neu starten. Bei Weiterbestehen des Problems Tripp Lite kontaktieren.	MM/TT/JJJJ Wechselrichter-Fehler 7 hh:mm	USV-Fehler	
Wechselrichter-Kurzschluss	Wechselrichter-Fehler 8	Wechselrichter-Ausgangskurzschluss. Entfernen Sie die Ursache für den Kurzschluss vom USV-Ausgang.	MM/TT/JJJJ Wechselrichter-Fehler 8 hh:mm	USV-Fehler	
Fehler/Defekte bezüglich Batterie/Ladegerät:					
Ladegerät-Fehler	Ladegerät-Fehler	Bei Weiterbestehen des Problems Tripp Lite kontaktieren.	MM/TT/JJJJ Ladegerät-Fehler 1 hh:mm	Warnung	Ladegerät funktioniert nicht. Kein Ladestrom.
Überladung	Überladung	Bei Weiterbestehen des Problems Tripp Lite kontaktieren.	MM/TT/JJJJ Ladegerät-Fehler 2 hh:mm	Warnung	Das Ladegerät funktioniert, aber die Ladespannung ist zu hoch.
Batterieüberspannung	Batterie-Überspannung	Überprüfen Sie den verwendeten Batterietyp. Bei Weiterbestehen des Problems Tripp Lite kontaktieren.	MM/TT/JJJJ Batterie-Fehler 1 hh:mm Hinweis: Wenn die USV mit Batterie-Fehler 1 abgeschaltet wird, wird auch das Ereignis „Batterie-Fehler 1 Abschaltung“ im Ereignisprotokollbildschirm protokolliert.	USV-Fehler	
Batterie-Unterspannung	Batterie-Unterspannung	Überprüfen Sie den verwendeten Batterietyp. Bei Weiterbestehen des Problems Tripp Lite kontaktieren.	MM/TT/JJJJ Batterie-Fehler 2 hh:mm Hinweis: Wenn die USV mit Batterie-Fehler 2 abgeschaltet wird, wird auch das Ereignis „Batterie-Fehler 2 Abschaltung“ im Ereignisprotokollbildschirm protokolliert.	USV-Fehler	
Defekte Batterie	Defekte Batterie	USV neu starten. Bei Weiterbestehen des Problems Tripp Lite kontaktieren.	MM/TT/JJJJ Batterie-Fehler 3 hh:mm Hinweis: Wenn die USV mit Batterie-Fehler 3 abgeschaltet wird, wird auch das Ereignis „Batterie-Fehler 3 Abschaltung“ auf dem Ereignisprotokollbildschirm protokolliert.	Warnung	
Niedriger Batteriestand	Niedriger Batteriestand	Speichern Sie vor dem Abschalten der USV Ihre Daten ab.	MM/TT/JJJJ Niedriger Batteriestand hh:mm Hinweis: Wenn die USV wegen eines zu niedrigen Batteriestandes ausgeschaltet wird, wird auch das Ereignis „Niedriger Batteriestand Abschaltung“ im Ereignisprotokollbildschirm protokolliert.	Warnung	
Interner Batteriealter-Alarm	Batteriealter-Alarm	Möglicherweise muss die interne Batterie ersetzt werden.	MM/TT/JJJJ Batteriealarm 1 hh:mm	Warnung	
Batteriealter-Alarm externe Smart-Batterie	Batteriealter-Alarm	Die externe Smart-Batterie mit Seriennummer {Seriennummer} muss möglicherweise ersetzt werden.	MM/TT/JJJJ Batteriealarm 2 hh:mm	Warnung	
Batteriealter-Alarm externe Non-Smart-Batterie	Batteriealter-Alarm	Möglicherweise muss die externe Batterie ersetzt werden.	MM/TT/JJJJ Batteriealarm 3 hh:mm	Warnung	
Smart-Batterie gewechselt	Smart-Batterie gewechselt	Anzahl der Smart-Batteriepacks, die am Monat/Tag/Jahr um hh:mm Uhr ausgewechselt wurden. Die Betriebszeit wurde entsprechend angepasst. Überprüfen Sie die Datenübertragung von der Smart-Batterie, falls Sie diese Änderung nicht erwartet haben.	MM/TT/JJJJ S-BP gewechselt hh:mm	Warnung	

Fehlerbehebung und Ereignisprotokoll

Fehler/Alarm	LCD-Kopfmeldung	LCD-Bildschirmmeldung	LCD-Ereignisprotokollanzeige (Ereignistyp mit Datum-/Zeitstempel)	Fehler oder Alarm?	Weitere Kommentare
Fehler/Defekte bezüglich Last/Temperatur:					
Übertemperatur-Fehler	Übertemperatur-Fehler	Überprüfen Sie die Belüftung und das Gebläse der USV. Bei Weiterbestehen des Problems Tripp Lite kontaktieren.	MM/TT/JJJJ Übertemperatur-Fehler hh:mm Hinweis: „MM/TT/JJJJ Übertemperatur SD hh:mm“ wird ebenfalls protokolliert, wenn das Gerät ausgeschaltet wird, nachdem es zuvor im Fehlermodus war.	USV-Fehler	Wenn der Übertemperaturschwellwert erreicht wird, wird das Ereignis Übertemperatur ausgelöst und je nach den Einstellungen für den Fehlermodus schaltet die USV anschließend entweder in den Bypass- oder in den Standby-Modus um, wenn am Eingang eine zulässige AC-Eingangsspannung anliegt. Wenn keine AC-Eingangsspannung anliegt, schaltet das Gerät in den Fehlermodus um, bei dem die Ausgangsspannung abgeschaltet wird, und schaltet sich anschließend ganz aus.
Übertemperatur (nur Warnung)	Übertemperatur	Überprüfen Sie die Belüftung und das Gebläse der USV. Bei Weiterbestehen des Problems Tripp Lite kontaktieren.	MM/TT/JJJJ Übertemperatur-Alarm hh:mm	Warnung	Dies ist nur ein Warnungsschwellwert. Das Gerät führt aufgrund dieses Ereignisses keine Aktion durch, sondern zeigt nur diese Warnung an und protokolliert sie.
Überlastfehler	Überlast	Reduzieren Sie die angeschlossene Last. Starten Sie die USV neu.	MM/TT/JJJJ Überlast hh:mm (MM/TT/JJJJ Überlast SD hh:mm wird ebenfalls protokolliert, wenn sich das Gerät wirklich ausschaltet, nachdem es zuvor im Fehlermodus war.)	USV-Fehler	Zum Zeitpunkt der Auslösung des Überlastfehlers wird das Ereignis Überlast protokolliert und je nach den Einstellungen für den Fehlermodus schaltet die USV anschließend entweder in den Bypass- oder in den Standby-Modus um, wenn am Eingang eine zulässige AC-Eingangsspannung anliegt. Wenn keine AC-Eingangsspannung anliegt, schaltet das Gerät in den Fehlermodus um, bei dem die Ausgangsspannung abgeschaltet wird, und schaltet sich anschließend ganz aus. In diesem Modus schaltet sich die USV nicht aufgrund einer Überlast ab, unabhängig davon, wie hoch die Last ist Hinweis: Der Schutzschalter kann jedoch aufgrund der Überlast ausgelöst werden.
Überlastwarnung	Überlastalarm	Reduzieren Sie die angeschlossene Last.	MM/TT/JJJJ Überlast ALM hh:mm	Warnung	Eine Überlastwarnung wird ausgelöst, wenn das Lastniveau zwischen 100 % und 105 % liegt oder wenn das Lastniveau das vorkonfigurierte Überlast-Warnungsniveau erreicht.
Sonstige Warnungen:					
EPO aktiv	EPO aktiv	Überprüfen Sie den EPO-Schalter. Bei Weiterbestehen des Problems Tripp Lite kontaktieren.	MM/TT/JJJJ EPO SD hh:mm	Warnung	
Bypass außerhalb des Bereichs	Bypass-Bereichsfehler	Überprüfen Sie die AC-Eingangsspannung und -frequenz. Bei Weiterbestehen des Problems Tripp Lite kontaktieren.	MM/TT/JJJJ Bypass-Fehler 1 hh:mm	Warnung	Die AC-Eingangsspannung erfüllt möglicherweise die vorkonfigurierten Forderungen zum Spannungsbereich für den Bypass-Modus (siehe Abschnitt Betrieb für weitere Informationen).
Bypass-Frequenz instabil	Bypass-Frequenz Fehler	Überprüfen Sie die AC-Eingangsfrequenz. Bei Weiterbestehen des Problems Tripp Lite kontaktieren.	MM/TT/JJJJ Bypass-Fehler 2 hh:mm	Warnung	
Batteriebetrieb	Entfällt	Entfällt	MM/TT/JJJJ Batteriebetrieb hh:mm Hinweis: Wenn die USV im Batteriemodus auf Basis der vorkonfigurierten Verzögerungszeit ausgeschaltet wird, wird der „Batteriebetrieb“ durch den Modus „Verzögerte Abschaltung (Timed SD)“ ersetzt und als weiteres Ereignis protokolliert.	Normal	
AC-Fehler	Entfällt	Entfällt	MM/TT/JJJJ AC-Fehler hh:mm Hinweis: Wenn die AC-Eingangsspannung wieder anliegt, wird „Netzbetrieb“ als weiteres Ereignis protokolliert.	Normal	

Interner Batteriewechsel

Klappe zum Batteriewechsel: Unter normalen Bedingungen hält die Originalbatterie in Ihrer USV mehrere Jahre lang. Ein Batteriewechsel darf nur von qualifizierten Servicemitarbeitern vorgenommen werden. Siehe „Batterie-Warnungen“ im Abschnitt Sicherheit. Ersatzbatterien finden Sie bei Bedarf unter www.tripplite.com/support/battery/index.cfm. Im folgenden Diagramm finden Sie die richtige Ersatzbatterie für Ihr USV-System:

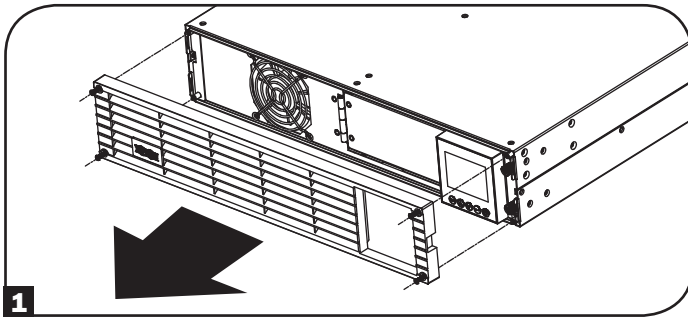
USV-Modell	Ersatzbatteriekassette
SUINT1000LCD2U	RBC24S
SUINT1500LCD2U	RBC36S
SUINT2200LCD2U	RBC48S
SUINT3000LCD2U / SU3000LCD2UHV	RBC72S

In den folgenden Diagrammen wird die Vorgehensweise zum Entfernen und Einsetzen der Batterie dargestellt

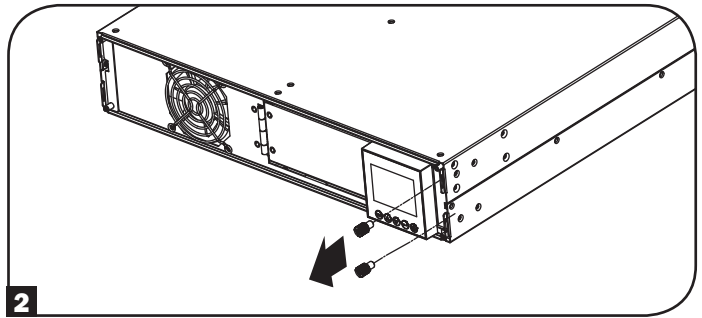
Alle Modelle

Hinweis: Obwohl in der Abbildung SUINT1000LCD2U als Batteriekassette dargestellt wird, ist die Vorgehensweise für alle anderen Batteriekassetten identisch.

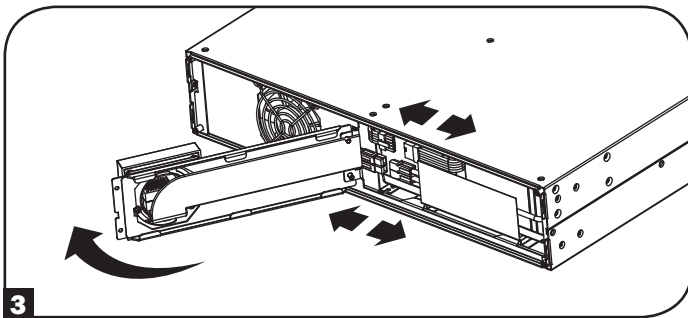
- 1** Entfernen Sie die vier Schrauben von der Frontblende und nehmen Sie die Blende ab.



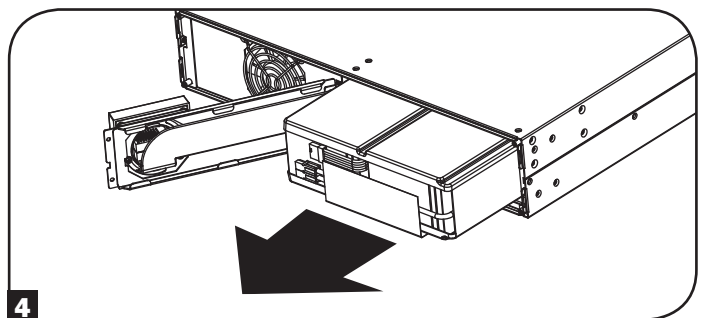
- 2** Lösen Sie die beiden Schrauben, mit der die Frontplatte befestigt ist.



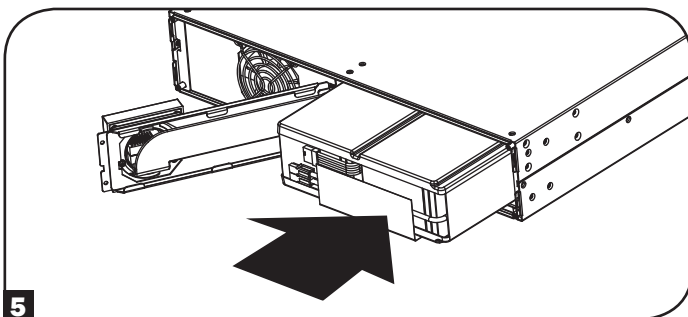
- 3** Öffnen Sie die Frontplatte. Ziehen Sie das Stromkabel und das Kommunikationskabel vom Batteriepack ab.



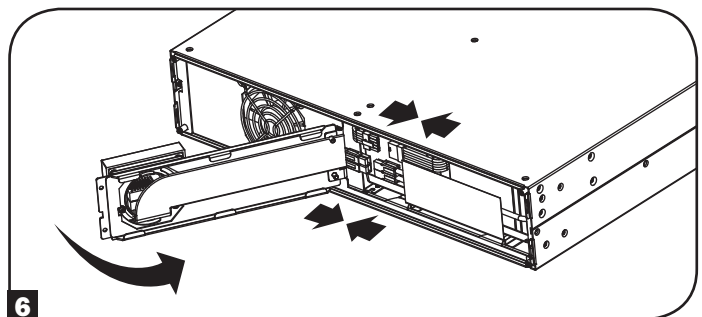
- 4** Nehmen Sie das alte Batteriepack heraus.



- 5** bauen Sie das neue Batteriepack in die USV an derselben Stelle wie das Originalpack ein.

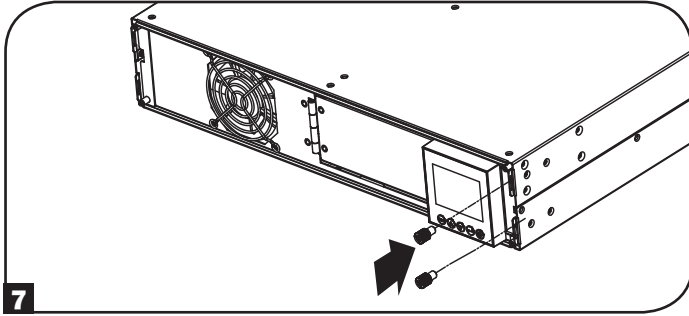


- 6** Schließen Sie das Stromkabel und das Kommunikationskabel an das neue Batteriepack an. Schließen Sie die Frontplatte.

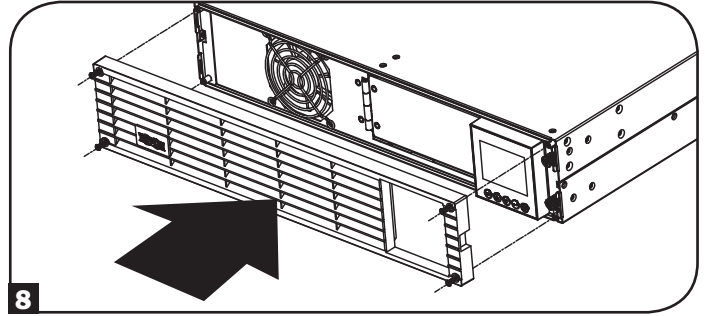


Interner Batteriewechsel

- 7** Ziehen Sie die beiden Schrauben fest, mit denen die Frontplatte befestigt wird.



- 8** Setzen Sie vorn die vier Schrauben wieder ein, um die Blende zu befestigen.



Lagerung und Service

Lagerung

Schalten Sie zuerst Ihre USV wie folgt aus: Drücken Sie den „AUS“-Schalter, um die USV-Ausgangssteckdosen auszuschalten, und ziehen Sie danach das Netzanschlusskabel aus der Steckdose. Trennen Sie als Nächstes alle Geräte, um eine Entladung der Batterie zu vermeiden. Wenn Sie vorhaben, die USV über einen längeren Zeitraum einzulagern, sollten Sie die USV-Batterien alle drei Monate vollständig aufladen, indem Sie die USV an eine Steckdose mit anliegender Netzspannung stecken und die Batterien von der USV 4 bis 6 Stunden lang aufladen lassen. Wenn Sie Ihre USV-Batterien über einen längeren Zeitraum ungeladen aufbewahren, können die Batterien einen dauerhaften Kapazitätsverlust erleiden.

Service

Tripp Lite bietet verschiedene Pläne für die Garantieverlängerung und Vor-Ort-Service an. Weitere Informationen zum Service finden Sie unter www.tripplite.com/support. Bevor Sie Ihr Produkt zur Reparatur zurücksenden, führen Sie die folgenden Schritte aus:

1. Überprüfen Sie die Installations- und Betriebsverfahren, die in diesem Handbuch beschrieben sind, um sicherzustellen, dass das Problem nicht durch falsche Handhabung verursacht wurde.
2. Wenn das Problem erneut auftritt, wenden Sie sich nicht an den Händler und geben Sie das Produkt nicht an den Händler zurück. Besuchen Sie stattdessen www.tripplite.com/support.
3. Wenn das Problem den Service erforderlich macht, besuchen Sie www.tripplite.com/support und klicken Sie auf den Link "Product Returns". Hier können Sie eine RMA-Nummer (Returned Material Authorization) anfordern, die für den Service erforderlich ist. Geben Sie das Modell und die Seriennummer des Produkts sowie andere allgemeine Käuferinformationen im Online-Formular ein. Sie erhalten die RMA-Nummer und die Versandinformationen in einer E-Mail. Beschädigungen (direkt, indirekt, besonders oder Folgeschäden) des Produkts, die während des Transports an Tripp Lite oder ein autorisiertes Tripp Lite-Servicecenter verursacht werden, sind nicht von der Garantie abgedeckt. Die Transportkosten für Produkte, die an ein Tripp Lite oder ein autorisiertes Tripp Lite-Servicecenter gesendet werden, müssen im Voraus bezahlt werden. Geben Sie die RMA-Nummer auf dem Paket an. Wenn die Produktgarantie nicht abgelaufen ist, legen Sie dem Paket eine Kopie des Kaufbelegs bei. Senden Sie das Produkt mit einem versicherten Transportunternehmen an die Adresse, die Sie zusammen mit der RMA-Nummer erhalten haben.

Einhaltung gesetzlicher Vorschriften

Identifikationsnummern zur Bescheinigung der Einhaltung gesetzlicher Vorschriften

Ihrem Tripp Lite Produkt wurde zur Zertifizierung der Einhaltung gesetzlicher Vorschriften und zur Identifikation eine einzigartige Seriennummer zugewiesen. Diese Seriennummer befindet sich neben allen notwendigen Zulassungsangaben und –informationen am Typenschild. Beziehen Sie sich immer auf diese Seriennummer, wenn Sie Informationen zur Einhaltung gesetzlicher Vorschriften zu diesem Produkt benötigen. Die Seriennummer sollten nicht mit dem Bezeichnungsnamen oder der Modellnummer dieses Produkts verwechselt werden.

EMV-Angaben zu den Modelle mit EMV-Zulassung Kategorie C2 (ausgewählte Modelle):

WARNUNG: Dies ist ein USV-Produkt der Kategorie C2. In Wohnumgebungen kann dieses Produkt Funkstörungen verursachen. In einem solchen Fall muss der Benutzer möglicherweise geeignete Zusatzmaßnahmen ergreifen.

WEEE Richtlinie – Informationen für Tripp Lite Kunden und Recycler (Europäische Union)



Unter der Richtlinie über Elektro- und Elektronik-Altgeräte (Waste Electrical and Electronic Equipment -WEEE) und Umsetzungsverordnungen haben Kunden, die neue Elektro- und Elektronikgeräte von Tripp Lite kaufen, das Recht:

- Altgeräte Stück für Stück, gleicher Art zum Recycling einzusenden (variiert von Land zu Land)
- Das Neugerät zum Recycling zurückzusenden wenn es letztendlich Elektromüll wird

USV- und Akku-Recycling



Bitte führen Sie die Akkus Ihrer Tripp-Lite-Produkte dem Recycling zu. Die in Tripp-Lite-Produkten verwendeten Akkus sind geschlossene Blei-Säure-Akkus. Diese Akkus sind sehr gut recyclingfähig. Bitte ziehen Sie Ihre örtlichen Entsorgungsvorschriften zu Rate.

Infos zum Recycling erhalten Sie telefonisch bei Tripp Lite unter +1.773.869.1234.

Pb

Aktuelle Informationen zum Recycling von Akkus oder Tripp-Lite-Produkten finden Sie auf der Tripp-Lite-Website. Bitte verwenden Sie folgenden Link: <http://www.tripplite.com/support/recycling-program/>

Tripp Lite hat den Grundsatz, sich kontinuierlich zu verbessern. Spezifikationen können ohne Ankündigung geändert werden.



1111 W. 35th Street, Chicago, IL 60609 USA • www.tripplite.com/support