

Parabolic antenna JPMC - 680 -10/11

Antenna JPMC – 680 – 10/11 is designed for microwave links at the frequency band 10 and 11 GHz. It has a deep reflector dish and a massive holder.

Technical parameters:

Frequency range	10.0 – 11.7 GHz
Gain – Low band	34.1 ± 0.6 dBi
Gain – High band	36.0 ± 0.6 dBi
Beamwidth_{-3 dB}	3° ± 0.5°
Electrical Compliance	US FCC Part 101A 10.0 – 10.7 GHz US FCC Part 101B 10.7 – 11.7 GHz
Polarization	linear, horizontal and vertical
Parabola	∅ 68 cm aluminium alloy
Cover	UV steady plastic ABS
Installation on mast	∅ 40 - 120 mm
Weight of antenna	5.5 kg (12.1 lbs.)
Weight of holder	3.3 kg (7.3 lbs.)

Usage:

- deep parabola for better parameters
- **easy to assembly:** first the holder and then the antenna only by 2 screws
- **fine setting** elevation (of gradient) and azimuth ± 20°
- extreme wind stability

The antenna is supplied together with a holder that allows easy mounting on a mast. Holder can be installed separately on the mast. Subsequently, you can simply hang up the antenna with microwave unit into it. Holder allows precise adjustment in both directions. Mounting to the right and left side is possible.

Parabolic antenna JRCM - 680 -10/11

Outline:

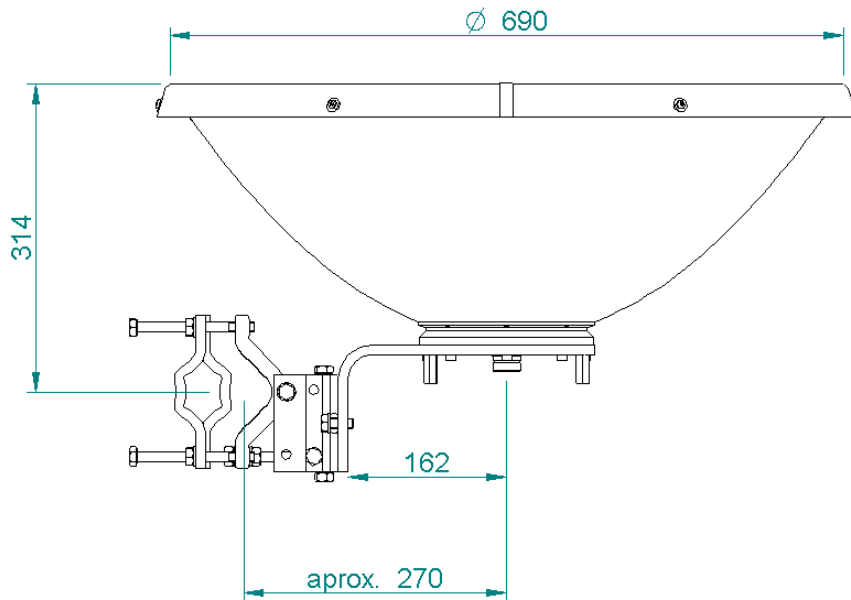


Fig. 1 Antenna dimensions

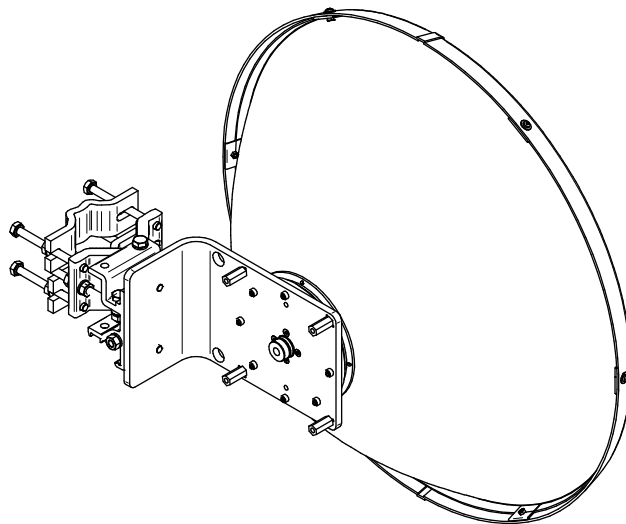


Fig. 2 Antenna with massive bracket (back side)