

THIS COPY IS PROVIDED ON A RESTRICTED BASIS AND IS NOT TO BE USED IN ANY WAY DETRIMENTAL TO THE INTERESTS OF PANDUIT CORP.

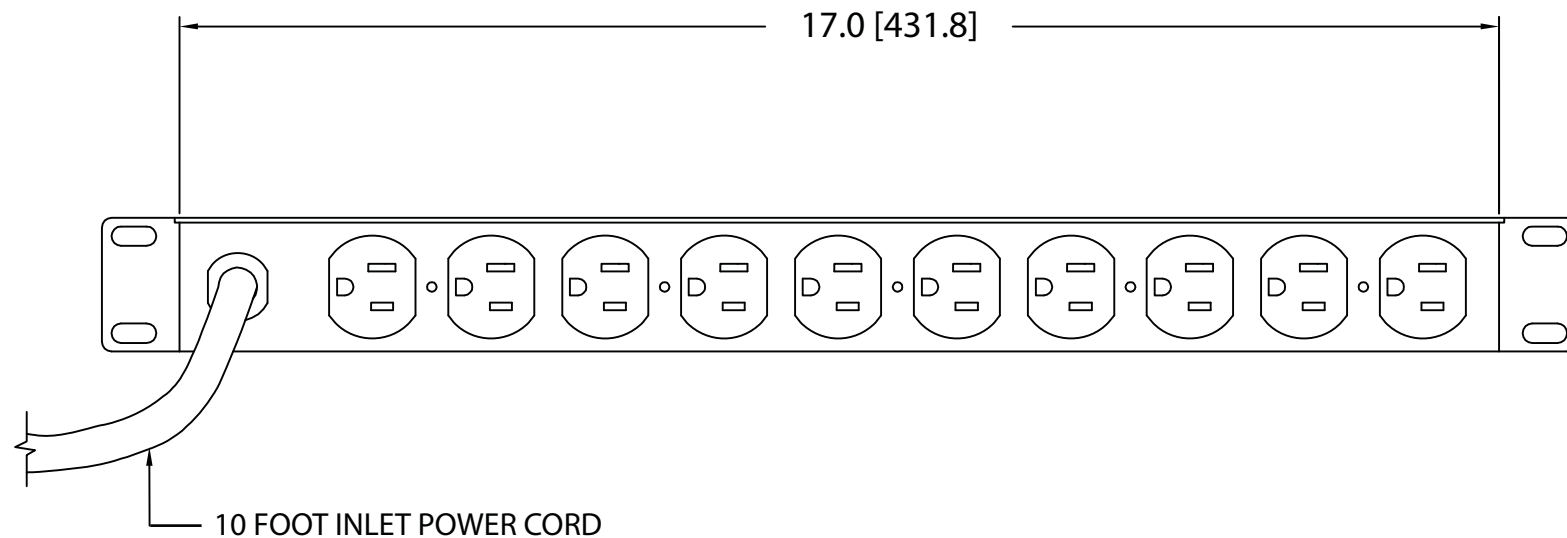
NOTES:

1. IDENTIFICATION: 1RU HORIZONTAL, (10) 5-15R
120V / 15A / SINGLE-PHASE POU WITH SURGE

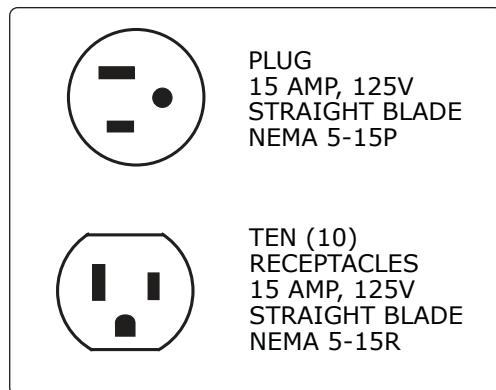
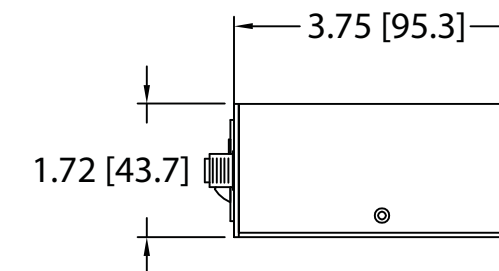
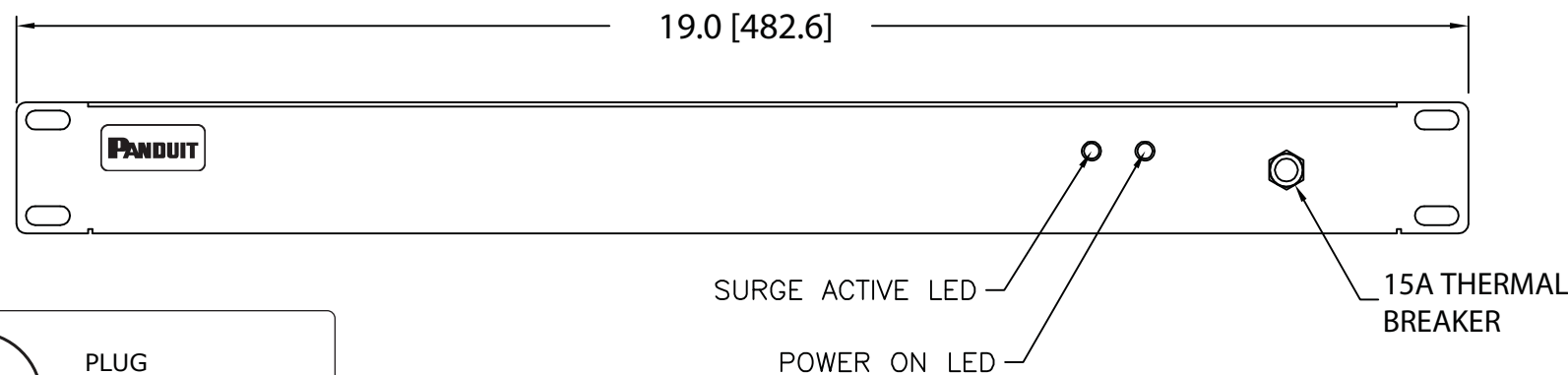
PART NO.	COLOR
CMRPSH15S	BLACK

2. ACCESSORY COMPONENTS:
(4) 10-32 x 1/2" MOUNTING SCREWS
(4) 12-24 x 1/2" MOUNTING SCREWS

3. JOULE RATING 720
4. UL 1449M RATING (500 AMPS) 330 VOLTS
5. CLAMPING LEVEL < 315 VOLTS
6. RESPONSE TIME < 5 NANoseconds
7. TECHNOLOGY USED - SUPER MOVs
8. DIMENSIONS IN PARENTHESSES ARE METRIC (mm).
9. UL & c-UL LISTED 60950.
10. RoHS COMPLIANT.
11. VISIT OUR ON-LINE CATALOG AT WWW.PANDUIT.COM FOR A CURRENT LIST OF PRODUCTS APPLICABLE FOR USE WITH THIS PART.
12. MAXIMUM AVAILABLE INPUT POWER = 1.4 KW
13. INSTALLATION SHALL COMPLY WITH ALL APPLICABLE NATIONAL, STATE, AND LOCAL CODES.



PANDUIT P/N	WEIGHT
CMRPSH15S	6 lb (2.7 kg)



REV	DATE	BY	CHK	DESCRIPTION	ECN	R	CUST	SUP	OTH
00B	3-27-12	MRWA		A. CHANGED BREAKER AMPERAGE	09V098YA				
00A	10-26-11	MRWA		RELEASED TO PRODUCTION	09V098YA				

MODEL FILENAME 09V098YA/00.PRT	
CAD FILENAME/LAYERS 09V098YA_DC/00A.PRT	
PANDUIT CORP TINLEY PARK, ILLINOIS	
1RU HORIZONTAL, (10) 5-15R POWER OUTLET UNIT (CMRPSH15S) CUSTOMER DRAWING	
UNLESS OTHERWISE SPECIFIED, DIMENSIONAL TOLERANCES ARE: INCHES X.X +/- 0.03 [METRIC - MILLIMETER] X.X +/- 0.8 X.XX +/- 0.015 X.XX +/- 0.4 X.XXX +/- 0.005 X.XX +/- 0.13 ANGLE +/- 1°	
UNLESS OTHERWISE SPECIFIED, ALL DIMENSIONS ARE GIVEN IN INCHES, THIRD ANGLE PROJECTION	
DRAWN BY MRWA	MAT'L:
DATE 10-26-11	SCALE NONE
CHK'D	DRAWING NO. 09V098YA
	DWG B SIZE