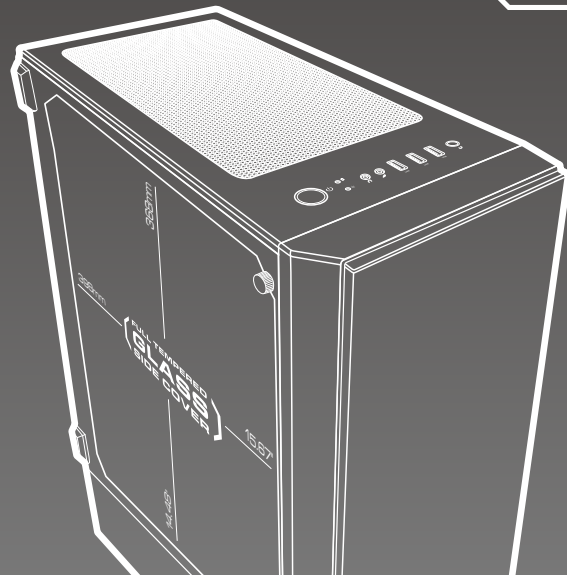




REAL GEAR FOR REAL GAMERS

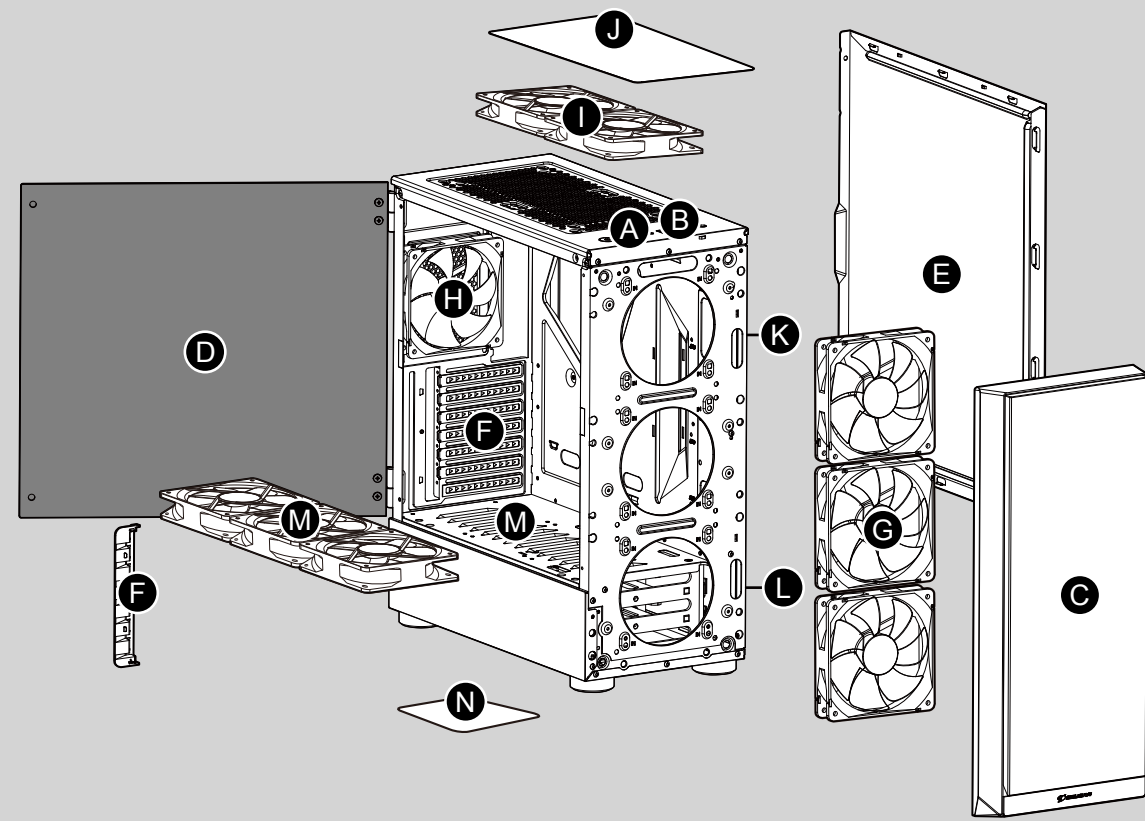
COUGAR Gaming case



TROFEO

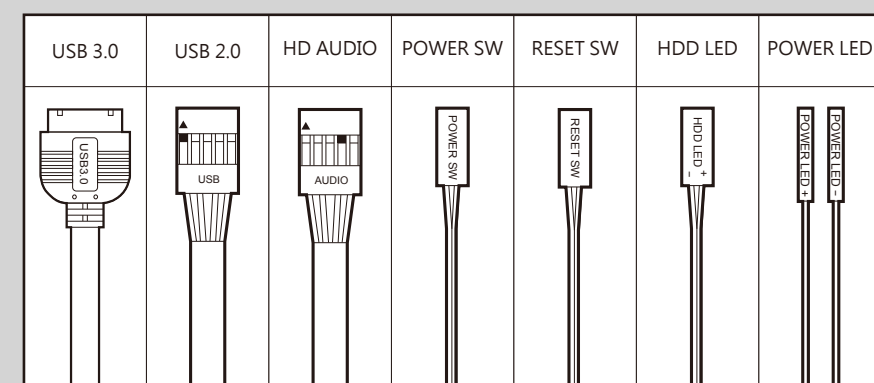
ENHANCED VISIBILITY MID-TOWER

Assembly Drawing



- A** Power button / Reset button
- B** USB 3.0 / USB 2.0 / HD audio ports
- C** Front panel
- D** Tempered glass side cover
- E** Right side cover
- F** Slot covers
- G** 120mm fans for front panel (optional)
- H** 120mm fan for rear panel (pre-installed)
- I** 120mm / 140mm fans for top cover (optional)
- J** Magnetic fan filter on top cover
- K** 2.5" HDD/SSD
- L** 3.5" HDD trays (compatible for 2.5" HDD/SSD)
- M** 120mm fans for PSU cover (optional)
- N** Air filter on bottom cover

Installing the Front I/O Connectors



ELEGANT AND FUNCTIONAL, THIS MID-TOWER CASE WITH A BRUSHED STEEL FRONT PANEL AND A HINGED TEMPERED GLASS SIDE PANEL IS A BRILLIANT SOLUTION FOR BOTH GAMERS AND PROFESSIONALS.

Features

GREAT LOOKS
A hinged tempered glass side window allows you to see clearly your computer's components and easily replace them, while the elegant brushed steel front panel gives it a modern and distinctive design. Good for both gamers and professionals, this is a case that looks great in any environment!

EXTENDED COMPATIBILITY
With support for up to high-end motherboards up to 12 x 13 (E-ATX) and seven expansion slots for up to three 360mm graphics cards, you can build a wide range of powerful builds within Trofeo.

GREAT COOLING
With support for up to nine fans and two radiators and two big vents on the sides of the front panel that provide quick access to fresh air, Trofeo helps you keep your computer's temperature under control.

Case Type	Mid-Tower
Motherboard Type	Mini ITX / Micro ATX / ATX / E-ATX
Dimensions	205 (W) x 490 (H) x 440 (D)mm
Case Drive Bays	3.5" : 2 2.5" : 3+2 (Converted from 3.5" Drive Bays)
I/O Panel	USB3.0 x 2 / USB2.0 x 1 / Mic x 1 / Audio x 1 Front : 120mm x 3 Top : 140mm x 2 / 120mm x 2
Cooling Fan Support	Rear : 120mm x 1 Bottom : 120mm x 3
Fan Pre-installed	Rear : 120mm x 1
Water Cooling Radiator Support	Top : 280 / 240 / 140 / 120mm Rear : 120mm
Expansion Slots	7
Max. Graphic Card Length	360mm
Max. CPU Cooler Height	160mm
PSU	Standard ATX PS2

Specifications might vary depending on the country or region of sale.

Accessory Kit

#6-32 for PSU & Expansion Card	X 7	Cable tie for cable management	X 6
#6-32 for 3.5" HDD	X 5	Slot cover	X 1
for Main Board	X 3	#6-32 for Front Fan	X 4
M3 for Main Board, ODD & 2.5" HDD/SSD	X 14	#6-32 for 3.5" HDD tray and cage	X 2

ENGLISH

- Hinged Tempered Glass Side Window
- Elegant Brushed Steel Front Panel
- Supports up to 12 x 13 inch (E-ATX) Motherboards.
- Up to Three 360mm Graphics Cards
- Up to Nine Fans and Two Radiators
- Two USB 3.0 Ports, One USB 2.0 Port and Audio In/Out

ESPAÑOL

- Cubierta de Vidrio Templado con Bisagra para un Fácil Mantenimiento
- Elegante Panel Frontal de Acero Cepillado
- Soporta Placas Base de Hasta 12 x 13 pulgadas (E-ATX)
- Hasta Tres Tarjetas Gráficas de 360mm
- Hasta Nueve Ventiladores y Dos Radiadores
- Dos Puertos USB 3.0, Un Puerto USB 2.0 y Entrada y Salida de Audio

PORTUGUÊS

- Janela lateral em vidro temperado com dobradiças
- Painel frontal elegante em aço escovado
- Suporta até placas-mãe (E-ATX) de 12 x 13 polegadas.
- Até três placas gráficas de 360 mm
- Até nove ventiladores e dois radiadores
- Duas portas USB 3.0, uma porta USB 2.0 e entrada/saída de áudio

РУССКИЙ

- Окно из закаленного стекла
- Элегантная стальная передняя панель
- Поддерживает до 12 x 13-дюймовых (E-ATX) материнских плат.
- До трех 360-мм графических карт
- До девяти вентиляторов и двух радиаторов
- Два порта USB 3.0, один порт USB 2.0 и аудиовход / выход

ITALIANO

- Finestra laterale apribile in vetro temperato
- Elegante pannello anteriore in acciaio spazzolato
- Supporta schede madri fino a 12 x 13 pollici (E-ATX).
- Fino a tre schede grafiche da 360 mm
- Fino a nove ventole e due radiatori
- Due porte USB 3.0, una porta USB 2.0 e ingresso/uscita audio

تعليمات التركيب و الأمان:
 - عند التركيب أو التفكيك يجب التأكد من أن جميع الأسلاك مفضولة عن الكهرباء.
 - يجب تركيب كل قطعة بحذر و بمكانها المناسب.
 - يجب اتخاذ الاحتياطات اللازمة لمنع الصعق الكهربائي.
 - من يقوم بعملية التركيب الشخص المختص فقط.
 - يجب ارتداء الملابس المناسبة أثناء تركيب/ تجميع الكمبيوتر.

ДАТА ИЗГОТОВЛЕНИЯ ПРОДУКЦИИ

год и месяц изготовления продукции указаны в серийном номере продукта. (существует 2 способа определения даты изготовления, оба способа описаны ниже)

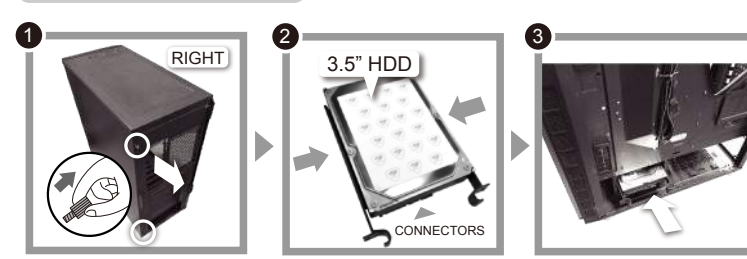
- A** После S/N: первые две цифры означают год, вторые две – месяц изготовления. Например, S/N: H1702000001 означает, что товар был произведен в феврале 2017 года.
- B** После S/N: если указаны буквы, то две буквы представляют цифры из таблицы ниже, и означают год, последующие две цифры – месяц изготовления. Например, S/N: DAG02REV1000001 означает, что товар был произведен в феврале 2017 года.

A	B	C	D	E	F	G	H	I	J	• Например, AG = 17 = 2017 год
1	2	3	4	5	6	7	8	9	0	

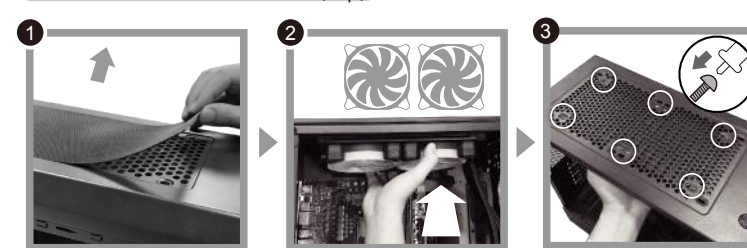
How to install the 2.5" HDD/SSD



How to install the 3.5" HDD



How to install a water cooler (top)



How to install a water cooler (Rear)



COUGAR USA Technical Service
 Tel: (833) 256-3778
 Mail: rma@compucaseusa.com
 https://cougargaming.com/support/contact/upload/
 CompuCase Enterprise Co., Ltd.
 No. 225, Lane 54, An Ho Road Sec. 2 Tainan, Taiwan, R.O.C
 Tel:+886-6-356-0606
 Service E-Mail:service@cougargaming.com

For more information, please visit
www.cougargaming.com
 CompuCase Enterprise Co., Ltd.
 All rights reserved.

