

Quick Start

Thank you for purchasing the MSI® **MEG Z390 GODLIKE** motherboard. This Quick Start section provides demonstration diagrams about how to install your computer. Some of the installations also provide video demonstrations. Please link to the URL to watch it with the web browser on your phone or tablet. You may have even link to the URL by scanning the QR code.

Kurzanleitung

Danke, dass Sie das MSI® **MEG Z390 GODLIKE** Motherboard gewählt haben. Dieser Abschnitt der Kurzanleitung bietet eine Demo zur Installation Ihres Computers. Manche Installationen bieten auch die Videodemonstrationen. Klicken Sie auf die URL, um diese Videoanleitung mit Ihrem Browser auf Ihrem Handy oder Table anzusehen. Oder scannen Sie auch den QR Code mit Ihrem Handy, um die URL zu öffnen.

Présentation rapide

Merci d'avoir choisi la carte mère MSI® **MEG Z390 GODLIKE**. Ce manuel fournit une rapide présentation avec des illustrations explicatives qui vous aideront à assembler votre ordinateur. Des tutoriels vidéo sont disponibles pour certaines étapes. Cliquez sur le lien fourni pour regarder la vidéo sur votre téléphone ou votre tablette. Vous pouvez également accéder au lien en scannant le QR code qui lui est associé.

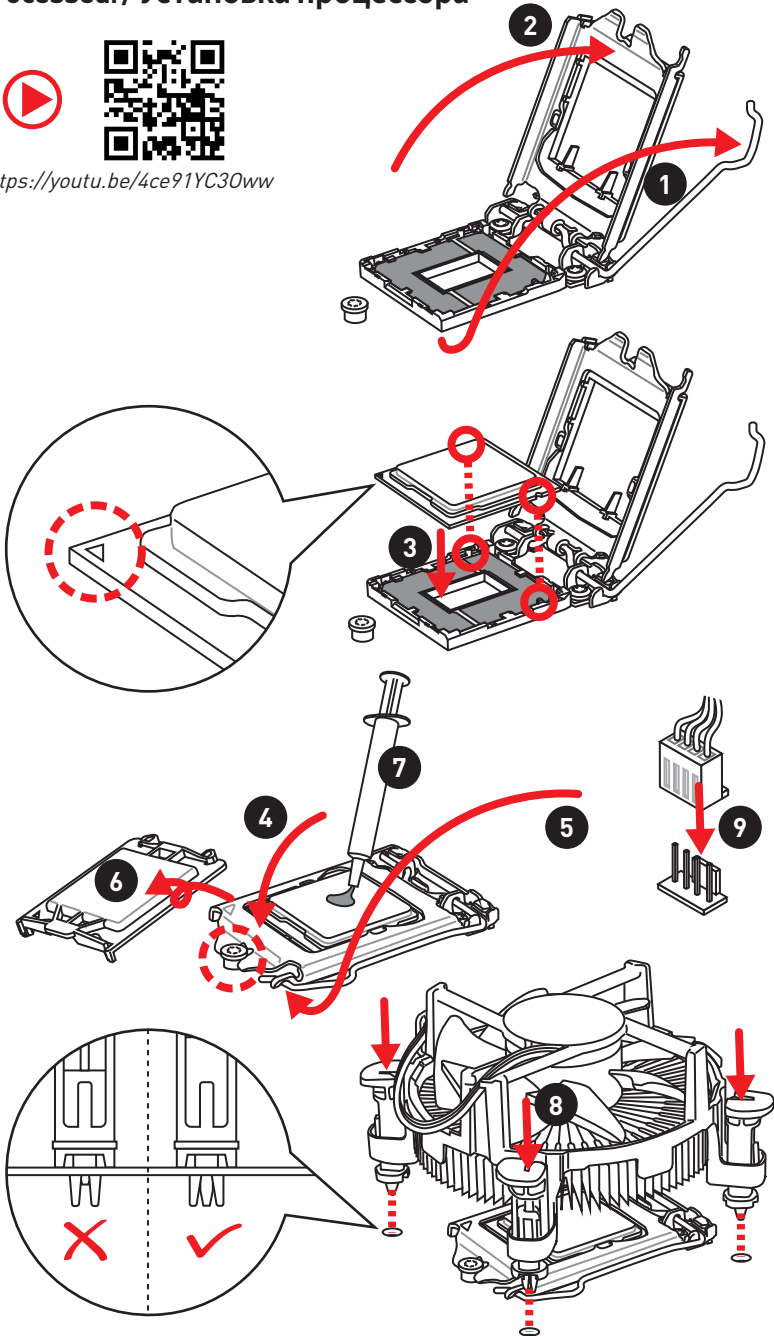
Быстрый старт

Благодарим вас за покупку материнской платы MSI® **MEG Z390 GODLIKE**. В этом разделе представлена информация, которая поможет вам при сборке компьютера. Для некоторых этапов сборки имеются видеопроцедуры. Для просмотра видео, необходимо открыть соответствующую ссылку в веб-браузере на вашем телефоне или планшете. Вы также можете выполнить переход по ссылке, путем сканирования QR-кода.

Installing a Processor/ Installation des Prozessors/ Installer un processeur/ Установка процессора



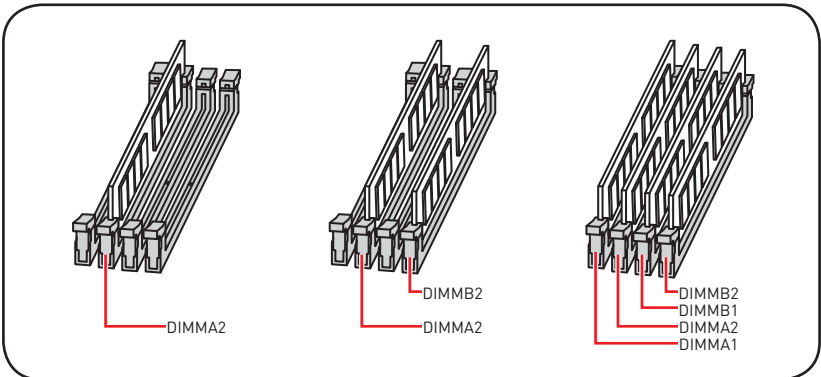
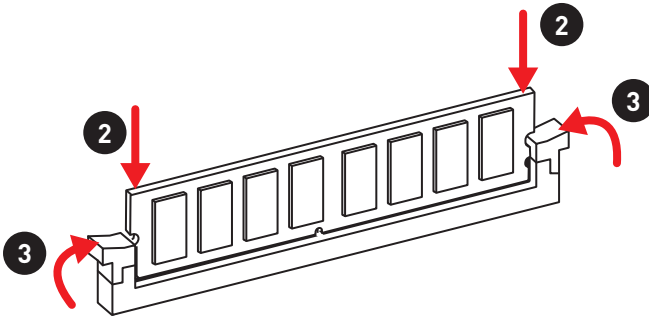
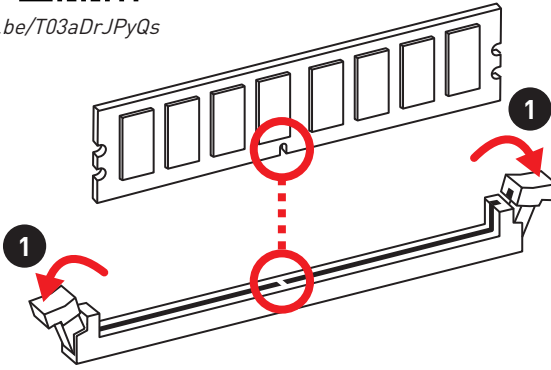
<https://youtu.be/4ce91YC30ww>



Installing DDR4 memory/ Installation des DDR4-Speichers/ Installer une mémoire DDR4/ Установка памяти DDR4



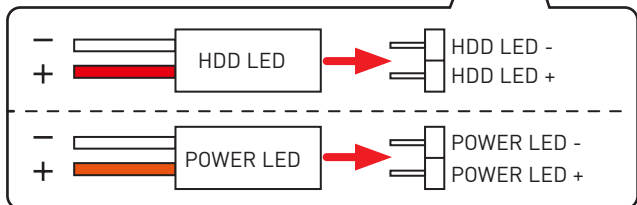
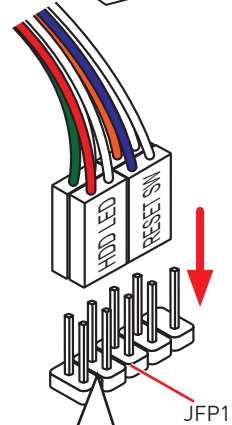
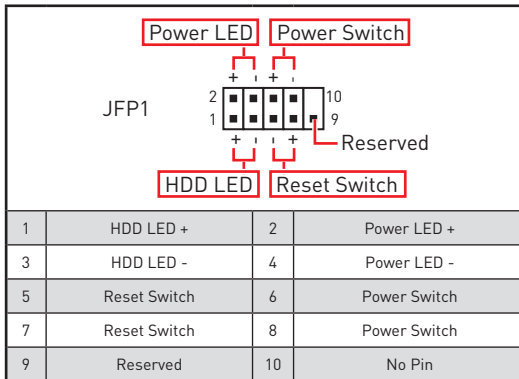
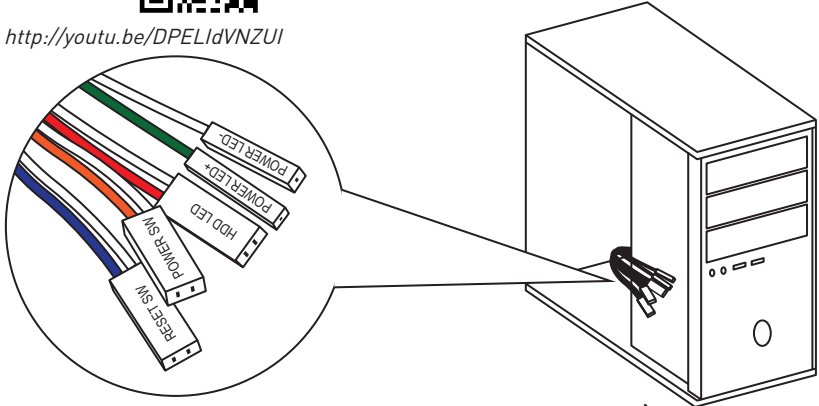
<http://youtu.be/T03aDrJPYqs>



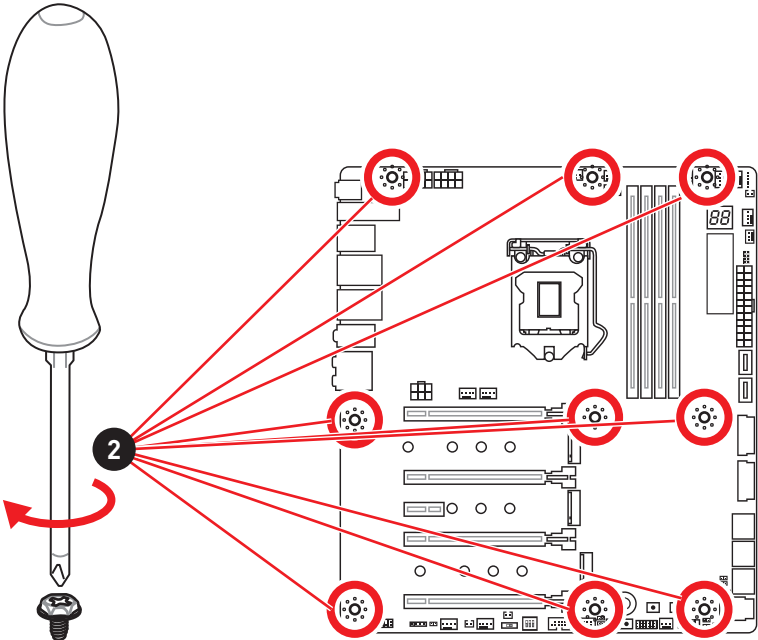
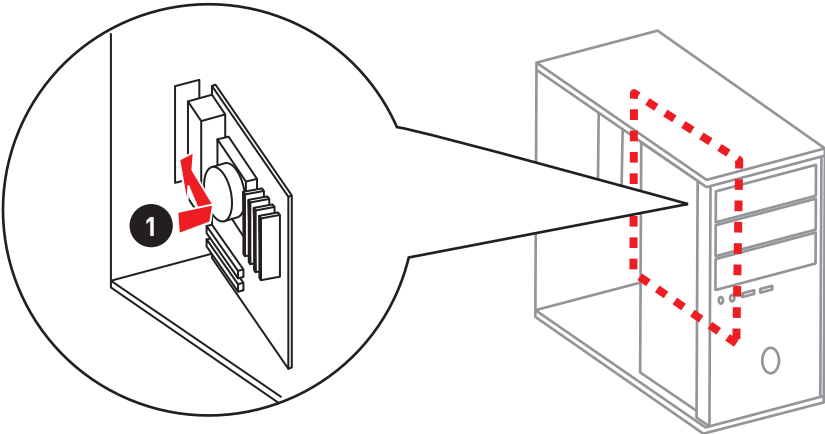
Connecting the Front Panel Header/ Anschließen der Frontpanel-Stiftleiste/ Connecter un connecteur du panneau avant/ Подключение разъемов передней панели



<http://youtu.be/DPELIdVNZUI>



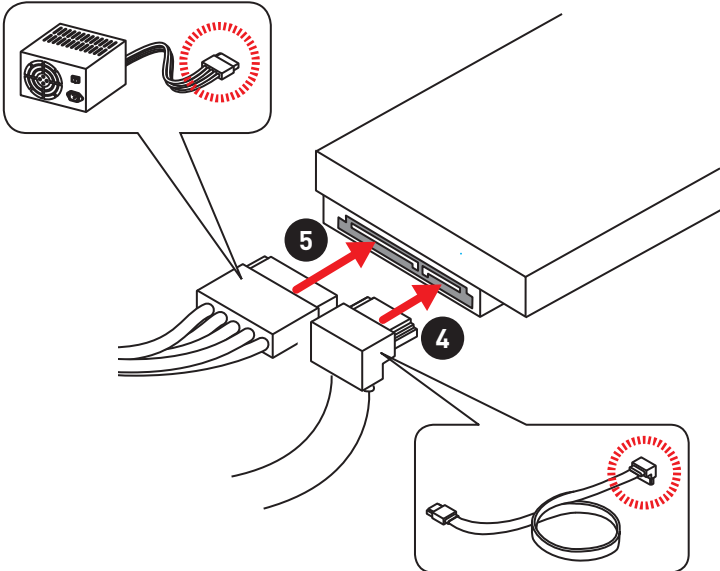
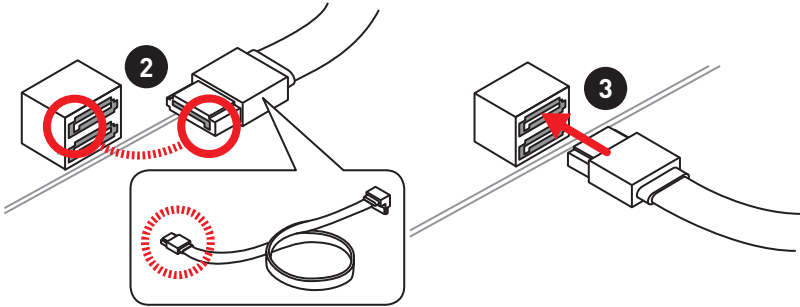
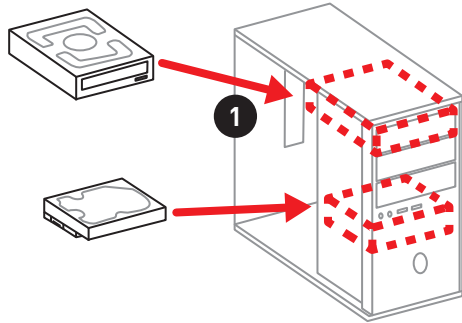
**Installing the Motherboard/ Installation des Motherboards/
Installer la carte mère/ Установка материнской платы**



Installing SATA Drives/ Installation der SATA-Laufwerke/ Installer le disque dur SATA/ Установка дисков SATA



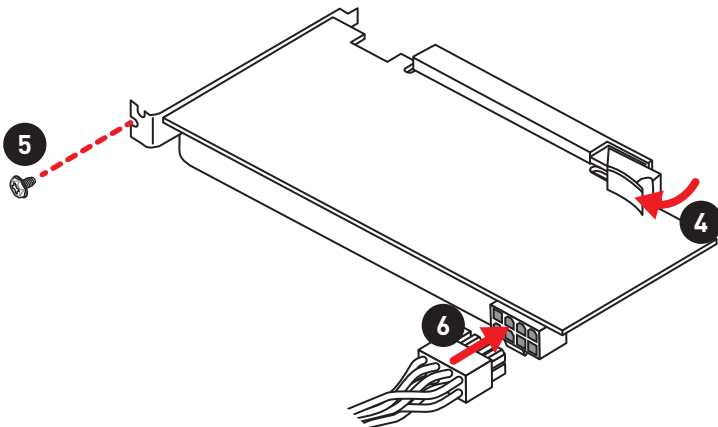
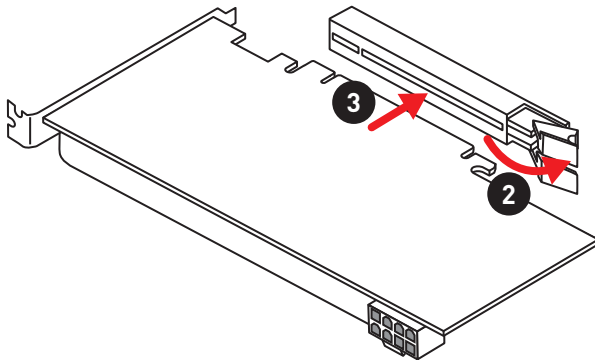
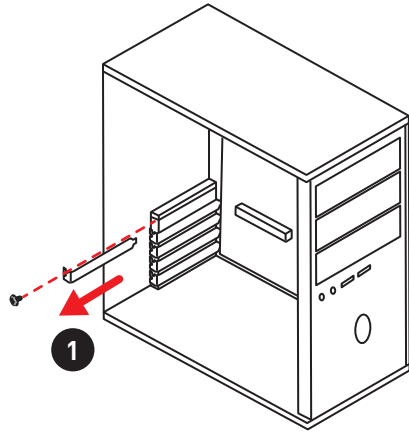
<http://youtu.be/RZsMpqxythc>



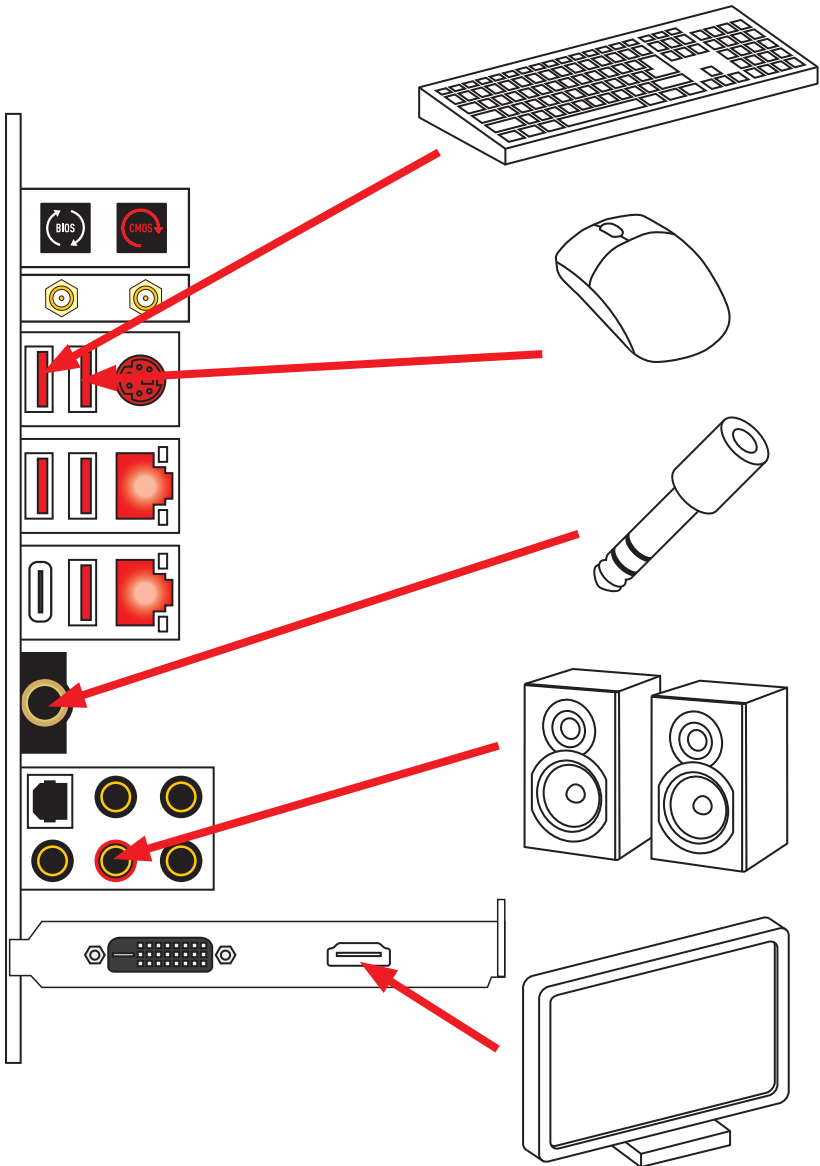
Installing a Graphics Card/ Einbau der Grafikkarte/ Installer une carte graphique/ Установка дискретной видеокарты



http://youtu.be/mG0GZpr9w_A



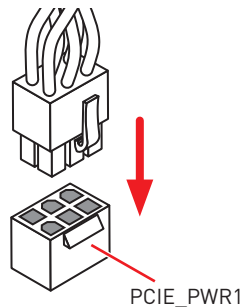
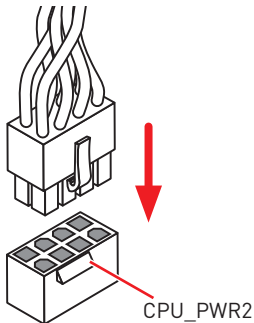
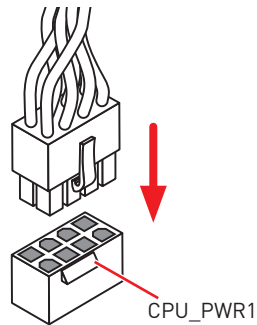
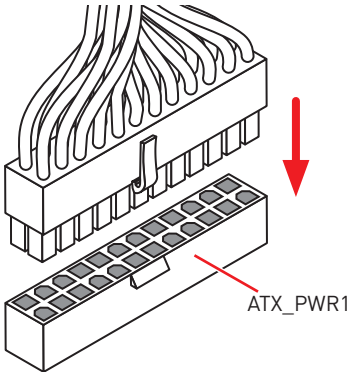
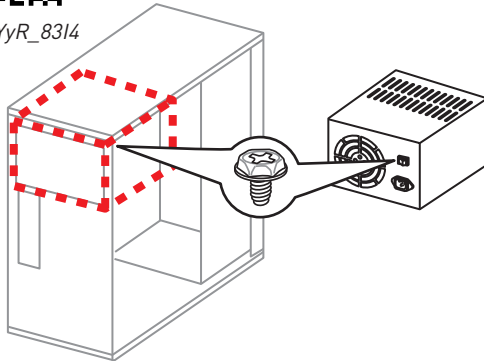
**Connecting Peripheral Devices/ Peripheriegeräte/
Connecter un périphérique anschliessen/ Подключение
периферийных устройств**



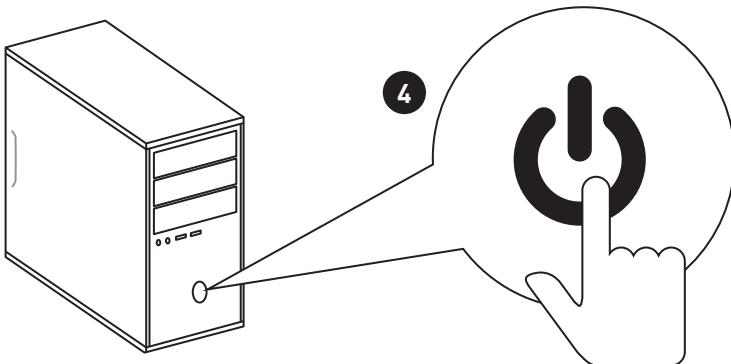
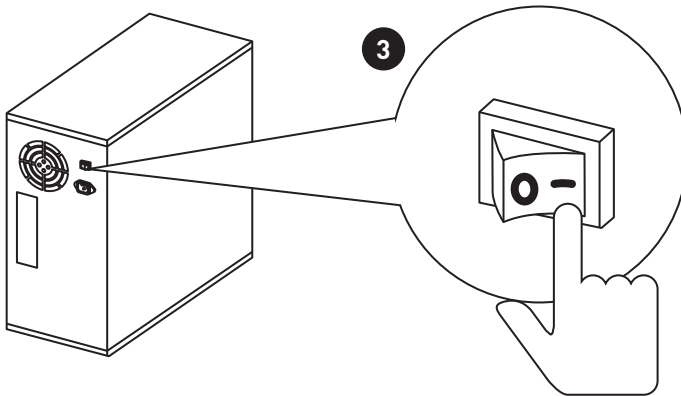
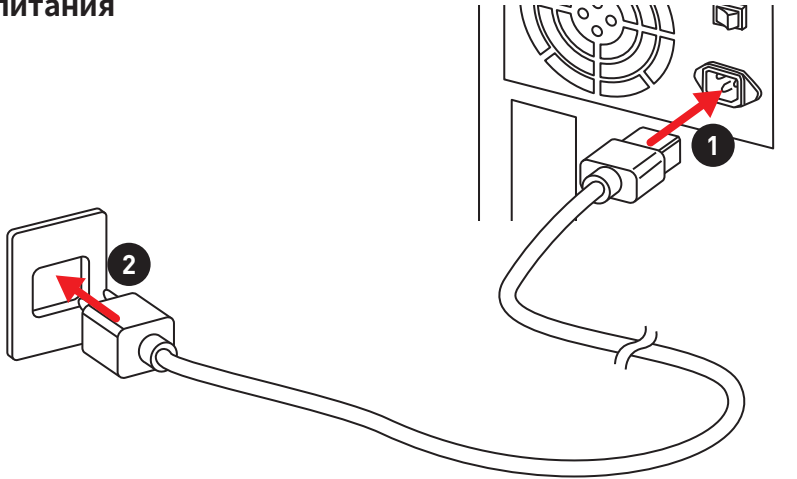
Connecting the Power Connectors/ Stromanschlüsse anschliessen/ Connecter les câbles du module d'alimentation/ Подключение разъемов питания



http://youtu.be/gkDYyR_83I4



**Power On/ Einschalten/ Mettre sous-tension/ Включение
питания**



Contents

Safety Information	3
Specifications	4
JCORSAIR1 Connector Specification.....	10
Package contents	11
Rear I/O Panel	12
LAN Port LED Status Table.....	12
Audio Ports Configuration	12
Realtek Audio Console	13
Installing Antennas.....	15
Overview of Components	16
CPU Socket	17
DIMM Slots.....	18
PCI_E1~5: PCIe Expansion Slots.....	19
PEGSW1: PCIe CeaseFire Switch	20
U2_1: U.2 Connector.....	22
M2_1~3: M.2 Slots (Key M)	23
V-Check Points	25
Installing the M.2 Xpander-Z	26
SATA1~6: SATA 6Gb/s Connectors	27
JFP1, JFP2: Front Panel Connectors	29
JAUD1: Front Audio Connector	29
CPU_PWR1~2, ATX_PWR1, PCIE_PWR1: Power Connectors.....	30
OC1: GAME BOOST Knob	31
JBLK_U1, JRATIO_U1: Base clock Plus, Ratio Plus connectors.....	32
OC_FS1: OC Force Enter BIOS Button.....	32
OC_RT2: OC Retry Button.....	32
T_SEN1~2: Thermal Sensor Connectors	33
JSLow1: Slow Mode Booting Jumper	33
CPU_FAN1, PUMP_FAN1, SYS_FAN1~8: Fan Connectors.....	34
W_FLOW1: Water Flow Meter Connector.....	35
JUSB1~2: USB 3.1 Gen2 Type-C Connectors	35
JUSB3~4: USB 3.1 Gen1 Connectors	36
JUSB5~6: USB 2.0 Connectors.....	37
POWER1, RESET1: Power Button, Reset Button	38
JBAT1: Clear CMOS (Reset BIOS) Jumper	38
JCI1: Chassis Intrusion Connector.....	39
BIOS_SW1: Multi-BIOS Switch	40
JRGB1, JRAINBOW1~2: RGB LED connectors.....	41

JCORSAIR1: CORSAIR Connector	42
DYNAMIC DASHBOARD	43
DYNAMIC DASHBOARD Status Table	43
Onboard LEDs	44
EZ Debug LED	44
DIMM LEDs	44
Fan LEDs.....	44
Multi-BIOS LEDs.....	45
XMP LED	45
JPWRLED1: LED power input.....	45
Debug Code LED	46
Hexadecimal Character Table	46
Boot Phases.....	46
Debug Code LED Table	46
ACPI States Codes	51
CPU Temperature	51
Installing OS, Drivers & Utilities	52
Installing Windows® 10.....	52
Installing Drivers	52
Installing Utilities	52
BIOS Setup	53
Entering BIOS Setup.....	53
Resetting BIOS.....	54
Updating BIOS.....	54
EZ Mode	56
Advanced Mode	58
OC Menu.....	59

Safety Information

- The components included in this package are prone to damage from electrostatic discharge (ESD). Please adhere to the following instructions to ensure successful computer assembly.
- Ensure that all components are securely connected. Loose connections may cause the computer to not recognize a component or fail to start.
- Hold the motherboard by the edges to avoid touching sensitive components.
- It is recommended to wear an electrostatic discharge (ESD) wrist strap when handling the motherboard to prevent electrostatic damage. If an ESD wrist strap is not available, discharge yourself of static electricity by touching another metal object before handling the motherboard.
- Store the motherboard in an electrostatic shielding container or on an anti-static pad whenever the motherboard is not installed.
- Before turning on the computer, ensure that there are no loose screws or metal components on the motherboard or anywhere within the computer case.
- Do not boot the computer before installation is completed. This could cause permanent damage to the components as well as injury to the user.
- If you need help during any installation step, please consult a certified computer technician.
- Always turn off the power supply and unplug the power cord from the power outlet before installing or removing any computer component.
- Keep this user guide for future reference.
- Keep this motherboard away from humidity.
- Make sure that your electrical outlet provides the same voltage as is indicated on the PSU, before connecting the PSU to the electrical outlet.
- Place the power cord such a way that people can not step on it. Do not place anything over the power cord.
- All cautions and warnings on the motherboard should be noted.
- If any of the following situations arises, get the motherboard checked by service personnel:
 - Liquid has penetrated into the computer.
 - The motherboard has been exposed to moisture.
 - The motherboard does not work well or you can not get it work according to user guide.
 - The motherboard has been dropped and damaged.
 - The motherboard has obvious sign of breakage.
- Do not leave this motherboard in an environment above 60°C (140°F), it may damage the motherboard.

Specifications

CPU	<p>Supports Intel® Core™ 9000 Series family/ 8th Gen Intel® Core™ / Pentium® Gold / Celeron® processors for LGA 1151 socket</p> <p>* Please go to www.intel.com for more compatibility information.</p>
Chipset	Intel® Z390 Chipset
Memory	<ul style="list-style-type: none"> • 4x DDR4 memory slots, support up to 64GB* • Supports DDR4 4600(OC)/ 4533(OC)/ 4500(OC)/ 4400(OC)/ 4300(OC)/ 4266(OC)/ 4200(OC)/ 4133(OC)/ 4000(OC)/ 3866(OC)/ 3733(OC)/ 3600(OC)/ 3466(OC)/ 3400(OC)/ 3333(OC)/ 3300(OC)/ 3200(OC)/ 3000(OC)/ 2800(OC)/ 2666/ 2400/ 2133 MHz* • Supports Dual-Channel mode • Supports non-ECC, un-buffered memory • Supports Intel® Extreme Memory Profile (XMP) <p>* Please refer www.msi.com for more information on compatible memory.</p>
Expansion Slot	<ul style="list-style-type: none"> • 4x PCIe 3.0 x16 slots* • 1x PCIe 3.0 x1 slot <p>* Please refer to page 19 for details.</p>
Multi-GPU	<ul style="list-style-type: none"> • Supports 2-Way NVIDIA® SLI™ Technology • Supports 4-Way AMD® CrossFire™ Technology
Storage	<p>Intel® Z390 Chipset</p> <ul style="list-style-type: none"> • 6x SATA 6Gb/s ports* • 3x M.2 slots (Key M)* <ul style="list-style-type: none"> ▪ M2_1 & M2_3 support up to PCIe 3.0 x4 and SATA 6Gb/s, 2242/ 2260/ 2280/ 22110 storage devices ▪ M2_2 supports up to PCIe 3.0 x4 and SATA 6Gb/s, 2242/ 2260/ 2280 storage devices ▪ Intel® Optane™ Memory Ready • 1x U.2 port* <ul style="list-style-type: none"> ▪ Supports PCIe 3.0 x4 NVMe storage <p>* M.2_2 slot, U.2 port and SATA ports share the bandwidth. Please refer to page 27 for details.</p> <p>** Before using Intel® Optane™ memory modules, please ensure that you have updated the drivers and BIOS to the latest version from MSI website.</p>

Continued on next page

Continued from previous page

RAID	<p>Intel® Z390 Chipset</p> <ul style="list-style-type: none">• Supports RAID 0, RAID1, RAID 5 and RAID 10 for SATA storage devices• Supports RAID 0, RAID 1 and RAID5 for M.2 PCIe storage devices
LAN	<ul style="list-style-type: none">• 2x Killer® E2500 Gigabit LAN controllers
Wireless LAN & Bluetooth®	<p>Killer® 1550 Chipset</p> <ul style="list-style-type: none">• The Wireless module is pre-install in the M2_4 (Key-E) slot.• Supports Wi-Fi 2x2 802.11 AC• Supports Bluetooth® 4.1, 3.0+HS
USB	<ul style="list-style-type: none">• Intel® Z390 Chipset<ul style="list-style-type: none">▪ 6x USB 3.1 Gen2 (SuperSpeed USB 10Gbps) ports (1 Type-C and 3 Type-A ports on the back panel, 2 Type-C internal connectors)▪ 4x USB 2.0 (High-speed USB) ports through the internal USB connectors• ASMedia® ASM1042 Chipset<ul style="list-style-type: none">▪ 2x USB 3.1 Gen1 (SuperSpeed USB) ports on the back panel• ASMedia® ASM1074 Chipset<ul style="list-style-type: none">▪ 4x USB 3.1 Gen1 (SuperSpeed USB) ports available through the internal USB connectors
Audio	<ul style="list-style-type: none">• 2x Realtek® ALC1220 Codecs<ul style="list-style-type: none">▪ 7.1-Channel High Definition Audio▪ Supports S/PDIF output• ESS® E9018 Codec<ul style="list-style-type: none">▪ Supports 6.3mm Gold-plated stereo headphone out

Continued on next page

Continued from previous page

Back Panel Connectors	<ul style="list-style-type: none">• 1x BIOS FlashBack button• 1x Clear CMOS button• 2x Wi-Fi Antenna connectors• 1x PS/2 keyboard/ mouse combo port• 2x USB 3.1 Gen1 Type-A ports• 2x LAN (RJ45) ports• 3x USB 3.1 Gen2 Type-A ports• 1x USB 3.1 Gen2 Type-C port• 1x 6.3mm Gold-plated stereo headphone jack• 5x OFC audio jacks• 1x Optical S/PDIF OUT connector
Internal Connectors	<ul style="list-style-type: none">• 1x 24-pin ATX main power connector• 2x 8-pin ATX 12V power connectors• 1x 6-pin ATX PCIe power connector• 6x SATA 6Gb/s connectors• 3x M.2 slots (M-Key)• 1x U.2 port• 2x USB 3.1 Gen2 Type-C ports• 2x USB 3.1 Gen1 connectors (supports additional 4 USB 3.1 Gen1 ports)• 2x USB 2.0 connectors (supports additional 4 USB 2.0 ports)• 1x 4-pin CPU fan connector• 1x 4-pin Water Pump connector• 8x 4-pin system fan connectors• 1x 3-pin Water Flow connector• 1x Front panel audio connector• 2x System panel connectors• 1x Chassis Intrusion connector• 2x 2-pin Thermal Sensors connectors• 1x 4-pin RGB LED connector• 2x 3-pin RAINBOW LED connectors• 1x 3-pin CORSAIR LED connector


Continued on next page

Continued from previous page

Internal Buttons	<ul style="list-style-type: none">• 1x GAME BOOST knob• 1x OC retry button• 1x OC force enter BIOS button• 1x Power button• 1x Reset button
Internal Pinheader	<ul style="list-style-type: none">• 1x JBLK_U1 pinheader• 1x JRATIO_U1 pinheader
Switches	<ul style="list-style-type: none">• 1x Multi-BIOS switch• 1x PCIe CeaseFire switch
Jumper	<ul style="list-style-type: none">• 1x Slow mode jumper
Debug LED	<ul style="list-style-type: none">• 1x 2-Digit Debug Code LED• 4x EZ Debug LED
Display Panel	DYNAMIC DASHBOARD <ul style="list-style-type: none">• Displays system information
I/O Controller	NUVOTON NCT6797 Controller Chip
Hardware Monitor	<ul style="list-style-type: none">• CPU/System temperature detection• CPU/System fan speed detection• CPU/System fan speed control
Form Factor	<ul style="list-style-type: none">• E-ATX Form Factor• 12 in. x 10.7 in. (30.5 cm x 27.2 cm)
BIOS Features	<ul style="list-style-type: none">• Dual BIOS• 2x 128 Mb flash• UEFI AMI BIOS• ACPI 6.1, SMBIOS 2.8• Multi-language

Continued on next page

Continued from previous page

Software	<ul style="list-style-type: none">• Drivers• DRAGON CENTER• MYSTIC LIGHT• Killer Control Center• Nahimic Audio• CPU-Z MSI GAMING• MSI App Player (BlueStacks)• Intel® Extreme Tuning Utility• Google Chrome™, Google Toolbar, Google Drive• Norton™ Internet Security Solution
Dragon Center Features	<ul style="list-style-type: none">• GAME OPTIMIZATION• OC Performance• Hardware Monitor• Eyereast• LAN Manager• Live Update <div data-bbox="657 603 785 730"></div> <p data-bbox="653 754 916 810">Please refer to http://download.msi.com/manual/mb/DRAGONCENTER2.pdf for more details.</p>
Special Features	<ul style="list-style-type: none">• Audio<ul style="list-style-type: none">▪ Xtreme Audio DAC▪ Nahimic 3• Network<ul style="list-style-type: none">▪ Killer TripleShot▪ GAMING LAN with Killer LAN Manager▪ Killer WiFi• Storage<ul style="list-style-type: none">▪ Turbo U.2▪ Triple Turbo M.2

Continued on next page

Continued from previous page

Special Features

- Fan
 - Pump Fan
 - GAMING Fan Control
- LED
 - Mystic Light 3
 - Mystic Light Extension (RGB)
 - Mystic Light Extension (RAINBOW)
 - Mystic Light Extension (CORSAIR)
 - Mystic Light Sync
 - EZ DEBUG LED
- Protection
 - DDR4 Steel Armor
 - M.2 Shield 3
 - PCIe Steel Armor
 - U.2 Steel Armor
- Performance
 - Exclusive ESS SABRE HiFi DAC for lossless, high-quality audio
 - Multi GPU-SLI Technology
 - Multi GPU-CrossFire Technology
 - DDR4 Boost
 - GAME Boost
 - Streaming Boost
 - OC Engine
 - Lightning USB
 - Front Lightning USB
 - USB with type A+C
- Stability
 - 7000+ Quality Test

Continued on next page

Continued from previous page

Special Features	<ul style="list-style-type: none">• VR<ul style="list-style-type: none">▪ VR Ready▪ Gamer Experience▪ GAMING HOTKEY▪ GAMING MOUSE Control• BIOS<ul style="list-style-type: none">▪ Click BIOS 5▪ BIOS FLASHBACK+▪ Dual BIOS• Certification<ul style="list-style-type: none">▪ Quadro SLI Ready▪ Quadro Ready▪ GAMING Certified
-------------------------	---

JCORSAIR1 Connector Specification

Supporting CORSAIR RGB Products	Maximum connection
Lighting Node PRO LED Strip	20* * In the case of 20% brightness
HD120 RGB Fan	6
SP120 RGB Fan	6
LL120 RGB Fan	6

Package contents

Please check the contents of your motherboard package. It should contain:

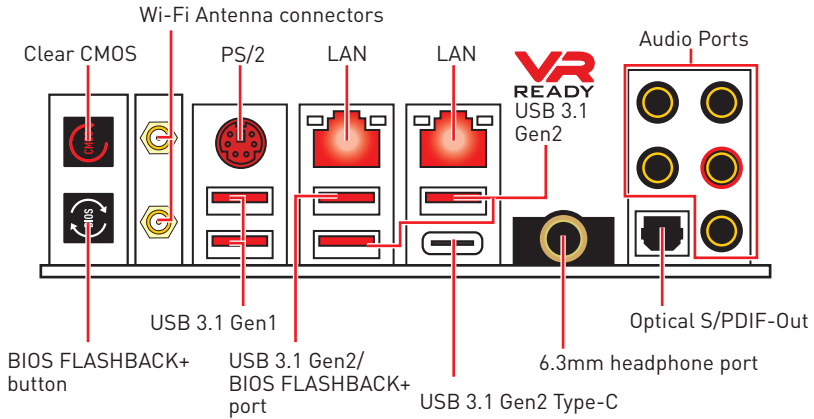
Motherboard	MEG Z390 GODLIKE	
Cable	SATA 6Gb/s Cables	6
	1 to 2 RGB LED Extension Y Cable 80cm	1
	CORSAIR RGB LED Extension Cable 50cm	1
	RAINBOW RGB LED Extension Cable 80cm	2
	CORSAIR to RAINBOW RGB Extension Cable 10cm	1
	Thermistor Cable	2
Accessories	Antenna Set	1
	M.2 Xpander-Z	1
	Streaming Boost	1
	SLI HB BRIDGE L	1
	6.3mm Audio Adapters	1
	Case Badge	1
	SATA Cable Labels	1
	VIP Card	1
Application DVD	Driver DVD	1
Documentation	User Manual	1
	Quick Guide	1
	Quick Installation Guide	1



Important

If any of the above items are damaged or missing, please contact your retailer.

Rear I/O Panel



- **Clear CMOS button** - Power off your computer. Press and hold the Clear CMOS button for about 5-10 seconds to reset BIOS to default values.
- **BIOS FLASHBACK+ button/port** - Please refer to page 55 for Updating BIOS with BIOS FLASHBACK+.
- **6.3mm headphone port** - This port is used for connecting the headphone.

LAN Port LED Status Table

Link/ Activity LED			Speed LED	
Status	Description		Status	Description
Off	No link		Off	10 Mbps connection
Yellow	Linked		Green	100 Mbps connection
Blinking	Data activity		Orange	1 Gbps connection

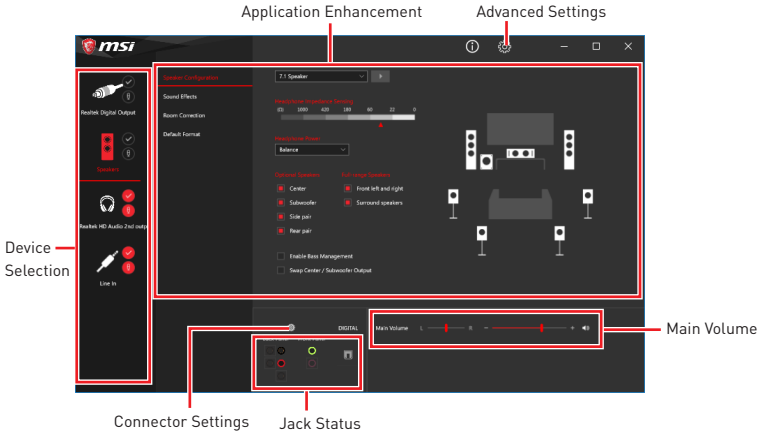
Audio Ports Configuration

Audio Ports	Channel			
	2	4	6	8
Center/ Subwoofer Out			●	●
Rear Speaker Out		●	●	●
Line-In/ Side Speaker Out				●
Line-Out/ Front Speaker Out	●	●	●	●
Mic In				

(●: connected, **Blank**: empty)

Realtek Audio Console

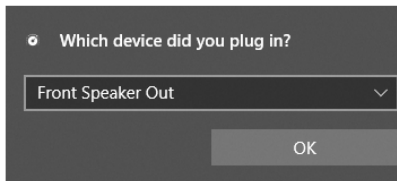
After Realtek Audio Console is installed. You can use it to change sound settings to get better sound experience.



- **Device Selection** - allows you to select a audio output source to change the related options. The **check** sign indicates the devices as default.
- **Application Enhancement** - the array of options will provide you a complete guidance of anticipated sound effect for both output and input device.
- **Main Volume** - controls the volume or balance the right/left side of the speakers that you plugged in front or rear panel by adjust the bar.
- **Advanced Settings** - provides the mechanism to deal with 2 independent audio streams.
- **Jack Status** - depicts all render and capture devices currently connected with your computer.
- **Connector Settings** - configures the connection settings.

Auto popup dialog

When you plug into a device at an audio jack, a dialogue window will pop up asking you which device is current connected.

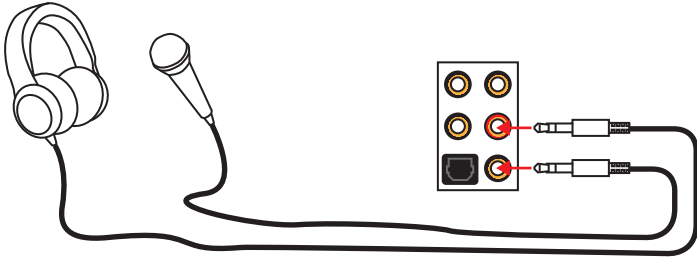


Each jack corresponds to its default setting as shown on the next page.

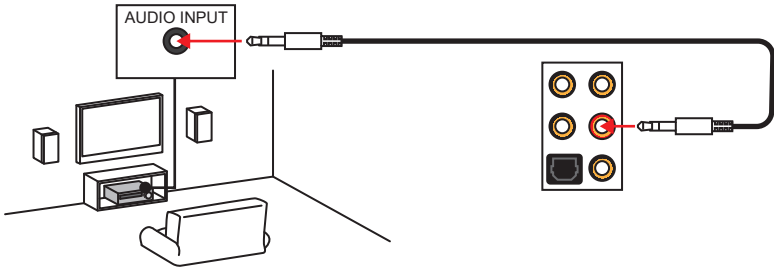


The pictures above for reference only and may vary from the product you purchased.

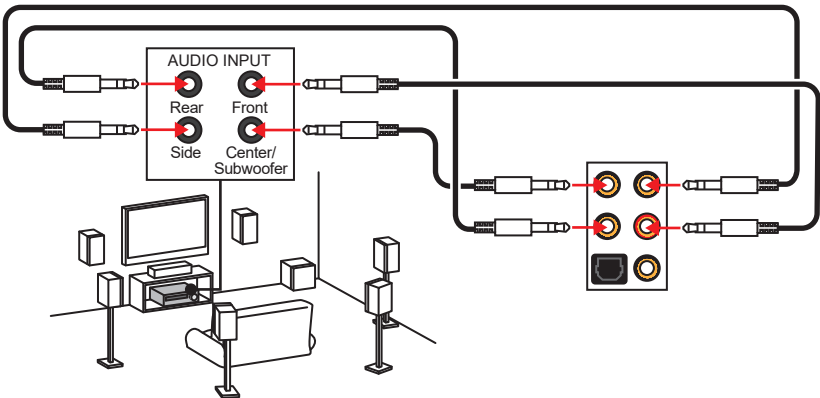
Audio jacks to headphone and microphone diagram



Audio jacks to stereo speakers diagram

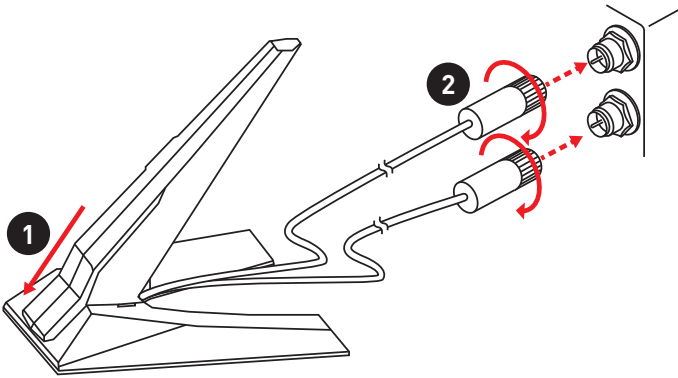


Audio jacks to 7.1-channel speakers diagram

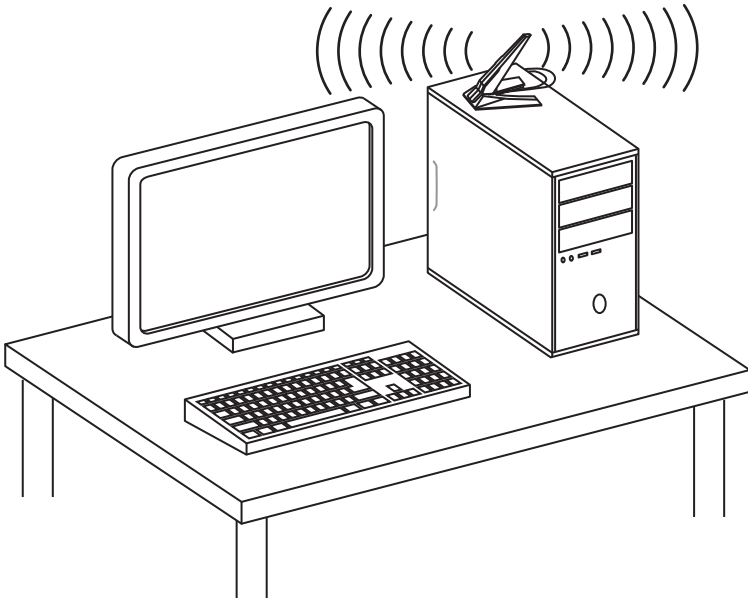


Installing Antennas

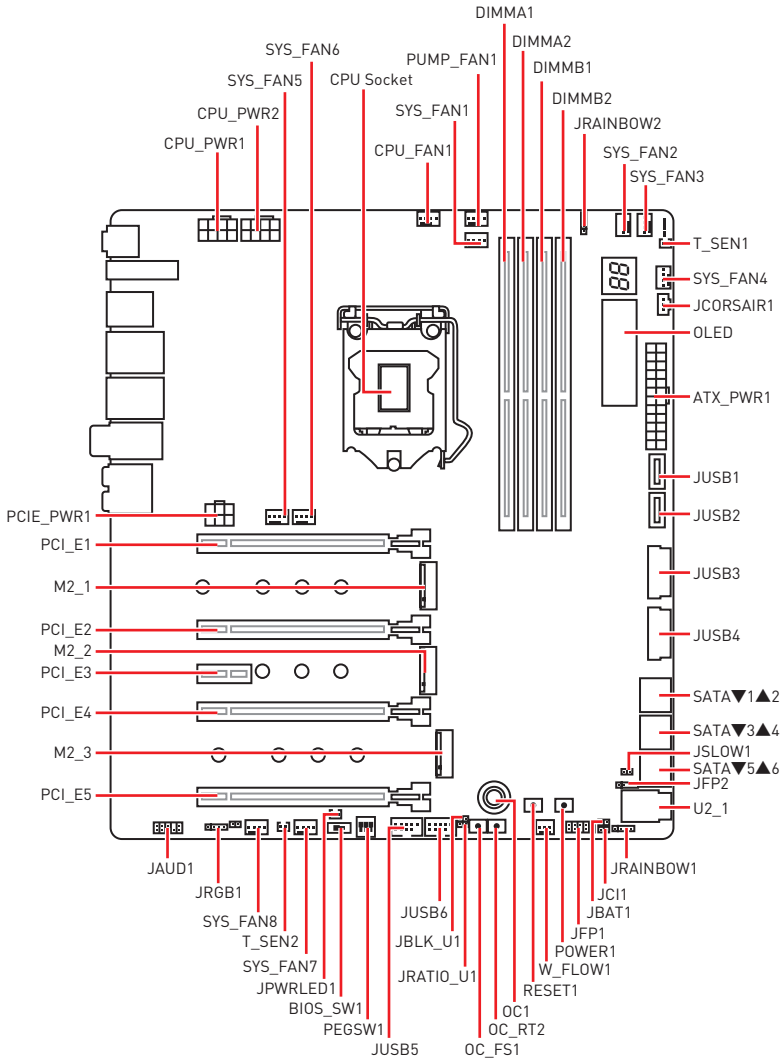
1. Combine the antenna with the base.
2. Screw two antenna cables tight to the WiFi antenna connectors as shown.



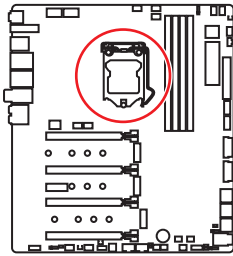
3. Place the antenna as high as possible.



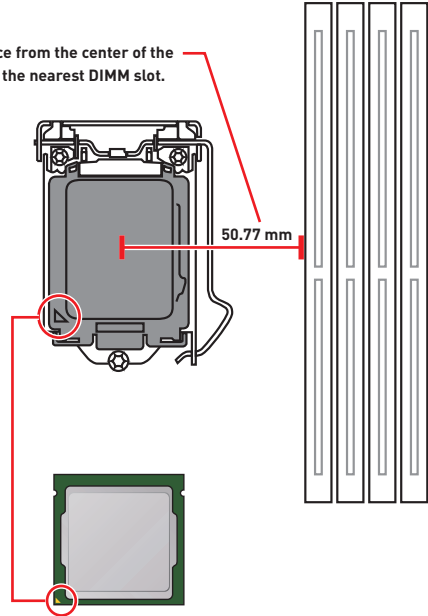
Overview of Components



CPU Socket



Distance from the center of the CPU to the nearest DIMM slot.



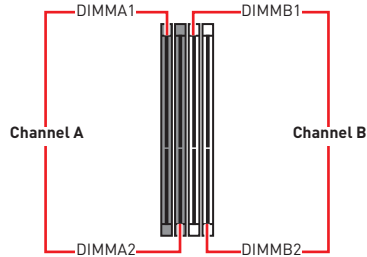
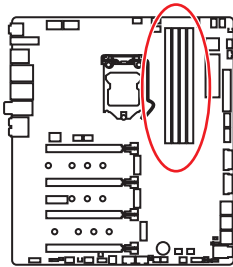
Introduction to the LGA 1151 CPU

The surface of the LGA 1151 CPU has two **notches** and a **golden triangle** to assist in correctly lining up the CPU for motherboard placement. The golden triangle is the Pin 1 indicator.

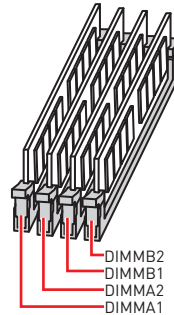
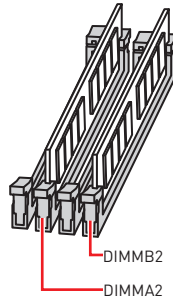
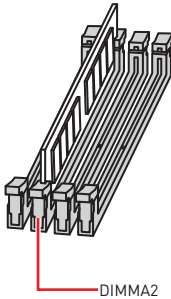
Important

- Always unplug the power cord from the power outlet before installing or removing the CPU.
- Please retain the CPU protective cap after installing the processor. MSI will deal with Return Merchandise Authorization (RMA) requests if only the motherboard comes with the protective cap on the CPU socket.
- When installing a CPU, always remember to install a CPU heatsink. A CPU heatsink is necessary to prevent overheating and maintain system stability.
- Confirm that the CPU heatsink has formed a tight seal with the CPU before booting your system.
- Overheating can seriously damage the CPU and motherboard. Always make sure the cooling fans work properly to protect the CPU from overheating. Be sure to apply an even layer of thermal paste (or thermal tape) between the CPU and the heatsink to enhance heat dissipation.
- Whenever the CPU is not installed, always protect the CPU socket pins by covering the socket with the plastic cap.
- If you purchased a separate CPU and heatsink/ cooler, Please refer to the documentation in the heatsink/ cooler package for more details about installation.
- This motherboard is designed to support overclocking. Before attempting to overclock, please make sure that all other system components can tolerate overclocking. Any attempt to operate beyond product specifications is not recommended. MSI® does not guarantee the damages or risks caused by inadequate operation beyond product specifications.

DIMM Slots



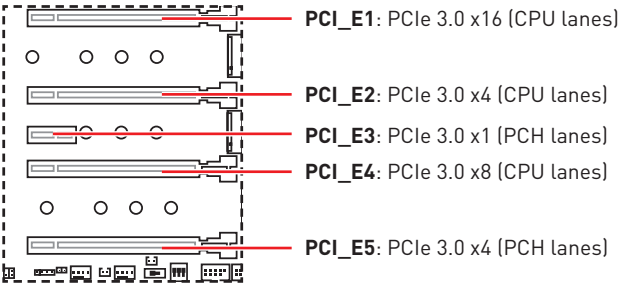
Memory module installation recommendation



Important

- Always insert memory modules in the **DIMMA2** slot first.
- Due to chipset resource usage, the available capacity of memory will be a little less than the amount of installed.
- Based on Intel CPU specification, the Memory DIMM voltage below 1.35V is suggested to protect the CPU.
- Please note that the maximum capacity of addressable memory is 4GB or less for 32-bit Windows OS due to the memory address limitation. Therefore, we recommended that you to install 64-bit Windows OS if you want to install more than 4GB memory on the motherboard.
- Some memory may operate at a lower frequency than the marked value when overclocking due to the memory frequency operates dependent on its Serial Presence Detect (SPD). Go to BIOS and find the **Memory Try It!** to set the memory frequency if you want to operate the memory at the marked or at a higher frequency.
- It is recommended to use a more efficient memory cooling system for full DIMMs installation or overclocking.
- The stability and compatibility of installed memory module depend on installed CPU and devices when overclocking.

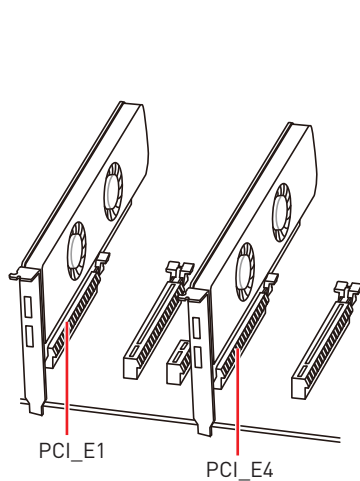
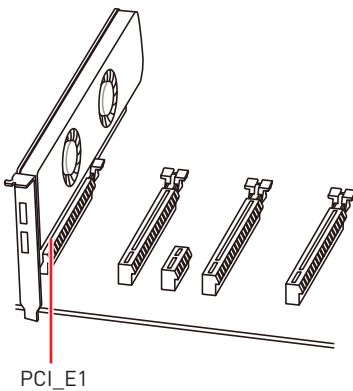
PCI_E1~5: PCIe Expansion Slots

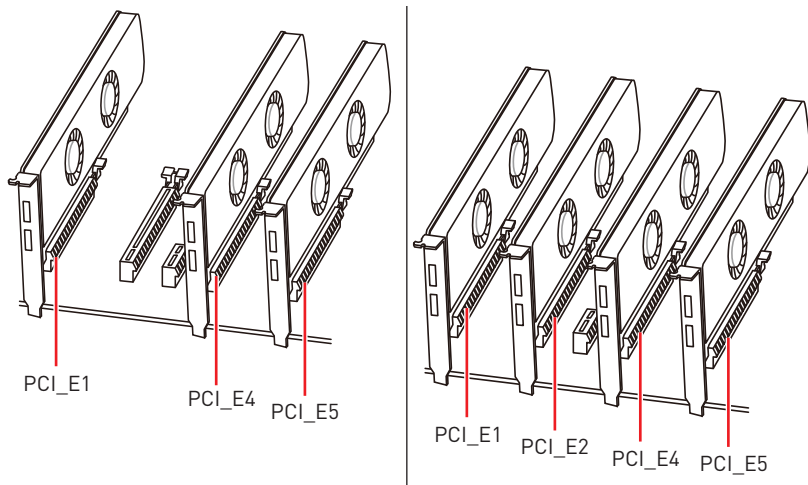


Multiple graphics cards installation recommendation

Graphics Card	Single	2-Way	3-Way*	4-Way*
PCI_E1	Ⓜ 3.0 x16	Ⓜ 3.0 x8	Ⓜ 3.0 x8	Ⓜ 3.0 x8
PCI_E2	Empty	Empty	Empty	Ⓜ 3.0 x4
PCI_E3	3.0 x1	3.0 x1	3.0 x1	3.0 x1
PCI_E4	Empty	Ⓜ 3.0 x8	Ⓜ 3.0 x8	Ⓜ 3.0 x4
PCI_E5	3.0 x4	3.0 x4	Ⓜ 3.0 x4	Ⓜ 3.0 x4

(Ⓜ: graphics card slot, *: CrossFire only)



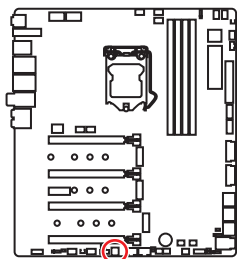


Important

- If you install a large and heavy graphics card, you need to use a tool such as **MSI Gaming Series Graphics Card Bolster** to support its weight and to prevent deformation of the slot.
- For a single PCIe x16 expansion card installation with optimum performance, using the **PCI_E1** slot is recommended.
- When adding or removing expansion cards, always turn off the power supply and unplug the power supply power cable from the power outlet. Read the expansion card's documentation to check for any necessary additional hardware or software changes.
- The **M2_3** will be unavailable when installing PCIe device in to **PCI_E5** slot.

PEGSW1: PCIe CeaseFire Switch

The PCIe CeaseFire switch allows you to enable/ disable the PCIe slots (by CPU lanes) conveniently and directly.



Slots	ON 1 2 3	ON 1 2 3	ON 1 2 3	ON 1 2 3
PCI_E1	✓	✓	✓	—
PCI_E2	✓	—	—	—
PCI_E4	✓	✓	—	—

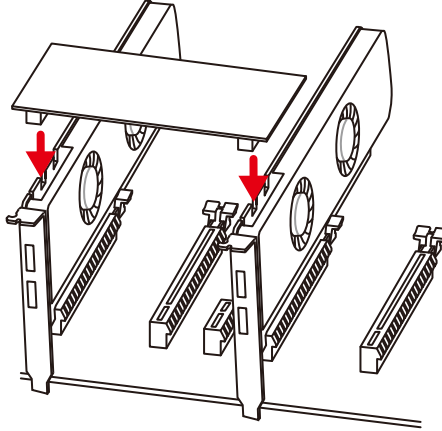
(✓: enabled, —: disabled)

Installing SLI graphics cards

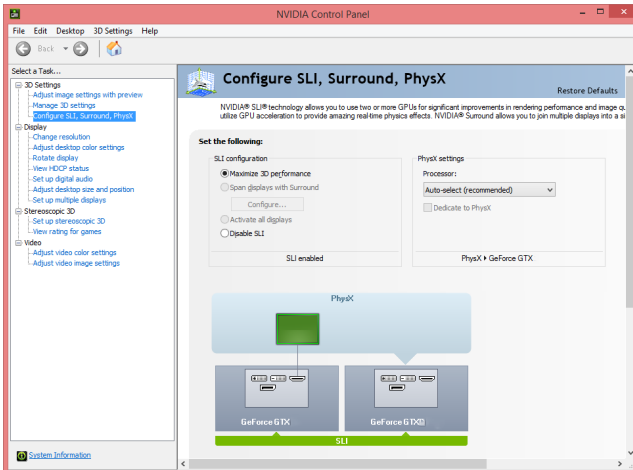
For power supply recommendations for SLI configurations, please refer to the user guide of your graphics card to make sure you meet all the system requirements.

To install SLI graphics cards:

1. Turn off your computer and disconnect the power cord, install two graphics cards into the **PCI_E1** and **PCI_E4** slots.
2. Connect the two cards together using the **SLI Bridge Connector**.

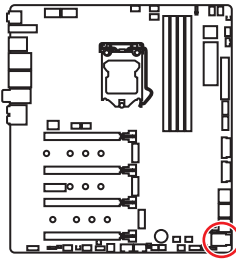


3. Connect all PCIe power connectors of the graphics cards.
4. Reconnect the power cord, power up the computer and install the drivers and software included in your graphics card package.
5. Right-click the Windows desktop and select **NVIDIA Control Panel** from the menu, click on **Configure SLI, Surround, PhysX** in the left task pane and select **Maximize 3D performance** in the SLI configuration menu, and then click **Apply**.



U2_1: U.2 Connector

This connector is a U.2 interface port. Each connector can connect to one PCIe 3.0 x4 NVMe storage device.

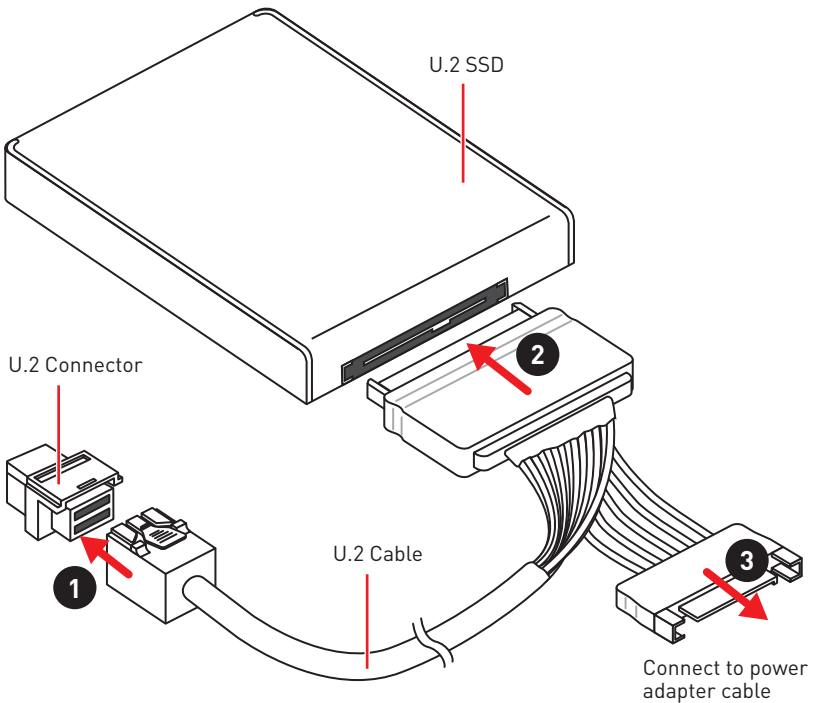


Video Demonstration

Watch the video to learn how to Install U.2 SSD. <http://youtu.be/KgFvKDXymvw>

Installing U.2 SSD

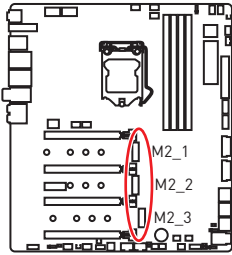
1. Connect the U.2 cable to the U.2 connector on the motherboard.
2. Connect the U.2 cable to the U.2 SSD.
3. Connect the U.2 cable to power adapter cable.



Important

The M2_2, SATA5 and SATA6 will be unavailable when installing U.2 device into U.2 port.

M2_1~3: M.2 Slots (Key M)

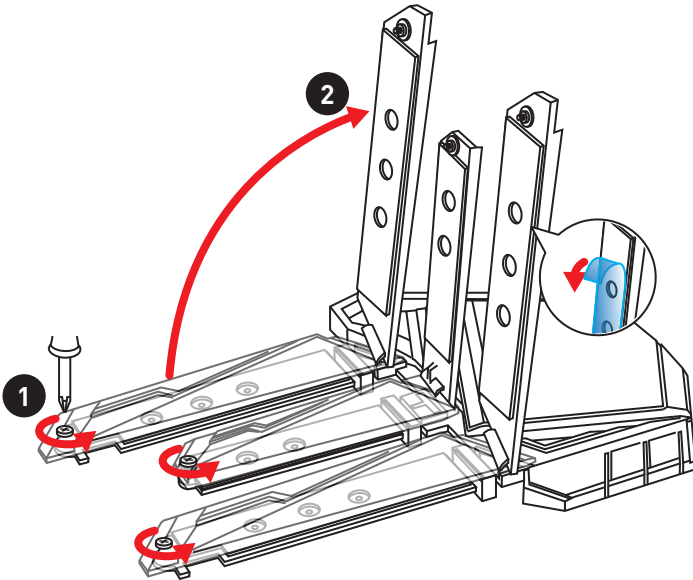


Important

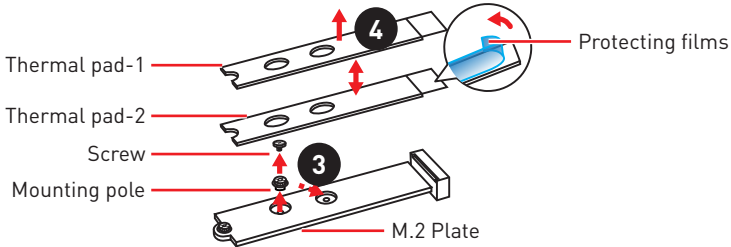
- Intel® RST only supports PCIe M.2 SSD with UEFI ROM.
- Intel® Optane™ Memory Ready for all M.2 slots.

Installing M.2 module

1. Loosen the screws of M.2 SHIELD FROZR.
2. Lift the M.2 SHIELD FROZR and remove the protective films from the thermal pads.

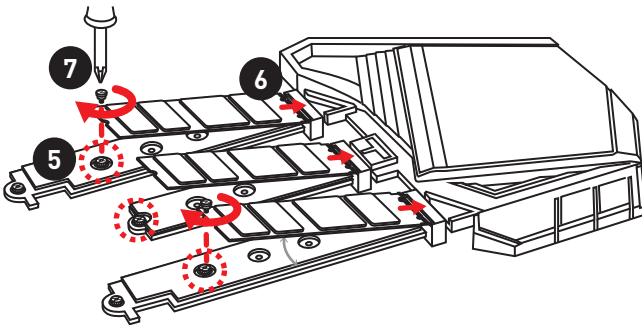


3. Each M.2 slot is equipped with two screws and mounting poles, one for securing the M.2 SHIELD FROZR heatsink and the other one for shorter M.2 SSD. To avoid damage to the M.2 SSD. If your M.2 SSD length is the same as the M.2 slot, remove the screw and mounting pole below the M.2 SSD, leaving only the screw and mounting pole for securing the M.2 SHIELD FROZR heatsink.
4. There are two thermal pads on each M.2 slot base plate. The thermal pad-2 is fixed on the M.2 board and should not be removed. For double-side M.2 SSD, completely remove the thermal pad-1 and protection films. For single-side M.2 SSD, remove the two thermal protection films from pad-1, then re-stick it to the thermal pad-2.

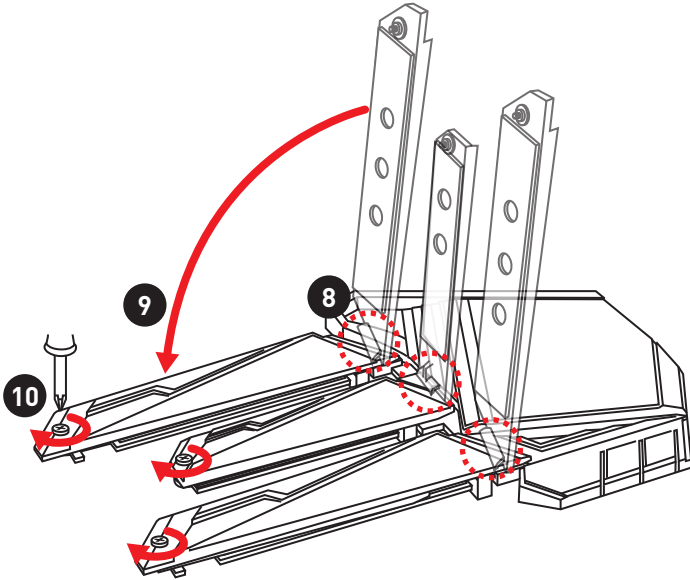


Pictures shown are for illustration purpose only and may differ from the actual plates and thermal pads.

5. Move the position of the mounting poles according to your M.2 SSDs length if need.
6. Insert your M.2 SSDs into the M.2 slots at a 30-degree angle.
7. If the M.2 SSD is shorter than the M.2 SHIELD FROZR heatsink, place the screw in the notch on the trailing edge of the M.2 module and tighten it into the mounting pole.

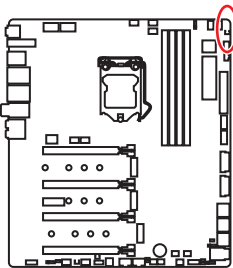


8. Insert the M.2 SHIELD FROZR heatsink shaft into the groove.
9. Push the M.2 SHIELD FROZR heatsink down.
10. Secure the M.2 SHIELD FROZR heatsink onto the mounting pole.



V-Check Points

These voltage checkpoints are used to measure the current system voltages. A multimeter (not included) will be required to check voltages. To measure voltage, place test leads on the GND (screw mounting hole) and a V-Check Point. Please refer to the manual of your multimeter for more information.



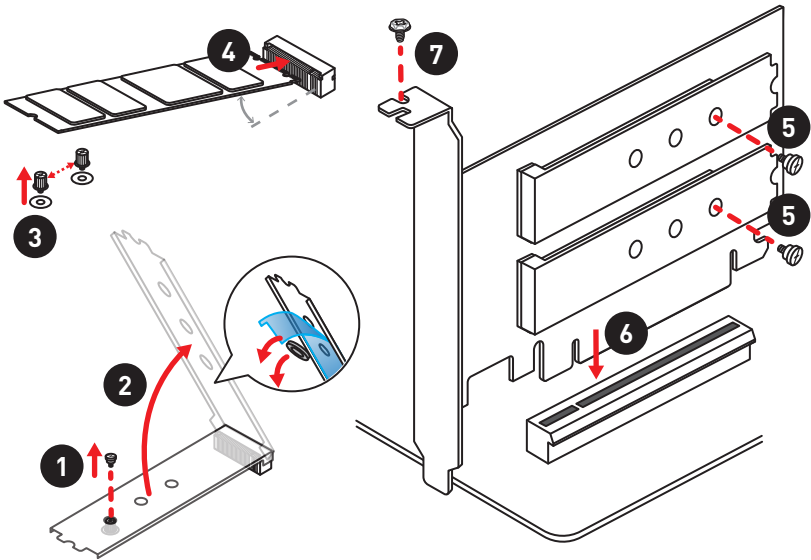
- GND
- CPU
- VCCIO
- VSA
- DRAM
- PCH

Installing the M.2 Xpander-Z

The M.2 Xpander-Z card provide two M.2 Key-M slots.

To install the M.2 Xpander-Z card:

1. Remove the screws from the mounting poles.
2. Lift the M.2 Shields and remove the protective films and the round rubbers from the thermal pads.
3. Move the mounting poles position according to your M.2 SSDs length.
4. Insert your M.2 SSDs into the M.2 slots at a 30-degree angle.
5. Push the M.2 SSDs and the M.2 Shields down and secure them onto the mounting poles.
6. Insert the M.2 Xpander-Z into one PCIe slot (PCI_E2 or PCI_E4).
7. Use the screw to secure the M.2 Xpander-Z.

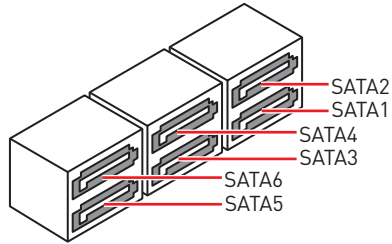
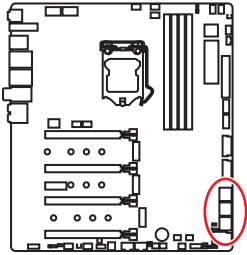


Important

When you installed the Xpander-Z card in PCI_E2 then PCI_E4 will be unavailable, If Xpander-Z card is installed in PCI_E4 then PCI_E2 will be unavailable.

SATA1~6: SATA 6Gb/s Connectors

These connectors are SATA 6Gb/s interface ports. Each connector can connect to one SATA device.



Important

- Please do not fold the SATA cable at a 90-degree angle. Data loss may result during transmission otherwise.
- SATA cables have identical plugs on either sides of the cable. However, it is recommended that the flat connector be connected to the motherboard for space saving purposes.

M.2, SATA and U.2 combination table

Slot	Combination		
M2_1	PCIe	SATA	
SATA1	✓	✓	
SATA2	✓	—	

U2_1	Empty			Installed
M2_2	PCIe	SATA	Empty	—
SATA5	—	—	✓	—
SATA6	—	✓	✓	—

PCI_E5	Empty			Installed
M2_3	PCIe	SATA	Empty	—
SATA3	✓	—	✓	✓

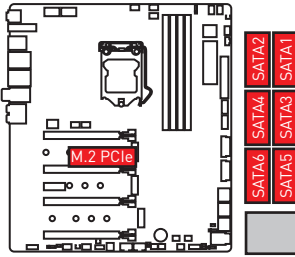
(**SATA**: M.2 SATA SSD, **PCIe**: M.2 PCIe SSD, ✓: available, —: unavailable)

Important

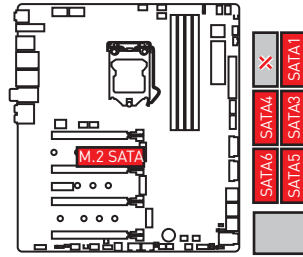
- The M2_2, SATA5 and SATA6 will be unavailable when installing U.2 device into U.2 port.
- The M2_3 will be unavailable when installing PCIe device in to PCI_E5 slot.

M.2 slots with examples of various combination possibilities

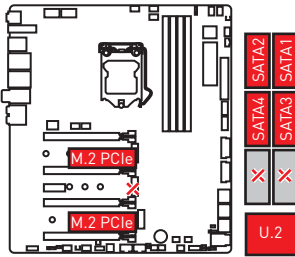
1xM.2 PCIe SSD + 6xSATA HDDs



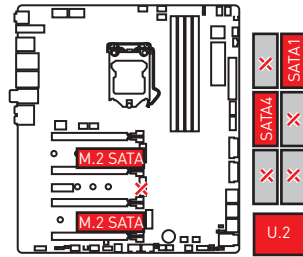
1xM.2 SATA SSD + 5xSATA HDDs



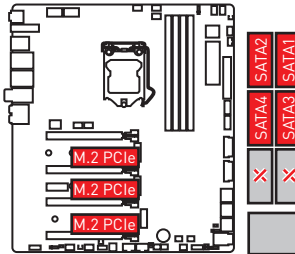
2xM.2 PCIe SSDs + 1x U.2 SSD+ 4xSATA HDDs



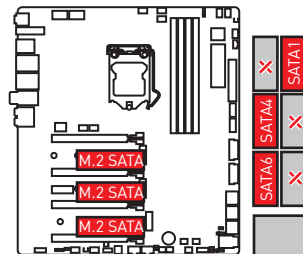
2xM.2 SATA SSDs + 1x U.2 SSD+ 2xSATA HDDs



3xM.2 PCIe SSDs + 4xSATA HDDs

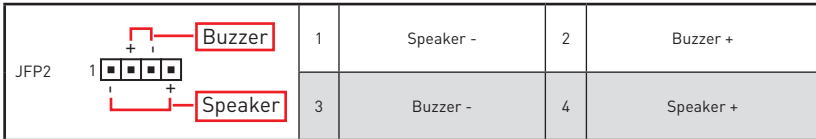
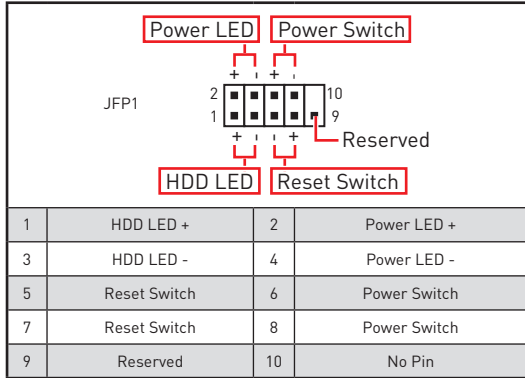
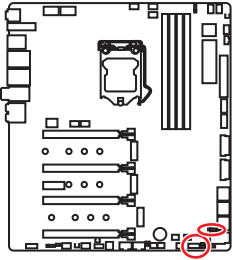


3xM.2 SATA SSDs + 3xSATA HDDs



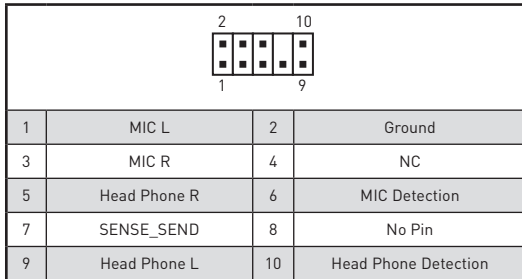
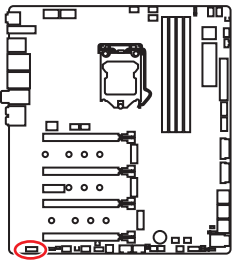
JFP1, JFP2: Front Panel Connectors

These connectors connect to the switches and LEDs on the front panel.



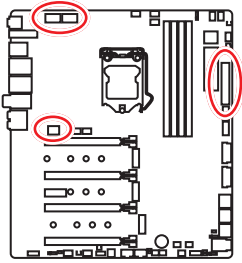
JAUD1: Front Audio Connector

This connector allows you to connect audio jacks on the front panel.



CPU_PWR1~2, ATX_PWR1, PCIE_PWR1: Power Connectors

These connectors allow you to connect an ATX power supply.



CPU_PWR1/ CPU_PWR2			
1	Ground	5	+12V
2	Ground	6	+12V
3	Ground	7	+12V
4	Ground	8	+12V

ATX_PWR1			
1	+3.3V	13	+3.3V
2	+3.3V	14	-12V
3	Ground	15	Ground
4	+5V	16	PS-ON#
5	Ground	17	Ground
6	+5V	18	Ground
7	Ground	19	Ground
8	PWR OK	20	Res
9	5VSB	21	+5V
10	+12V	22	+5V
11	+12V	23	+5V
12	+3.3V	24	Ground

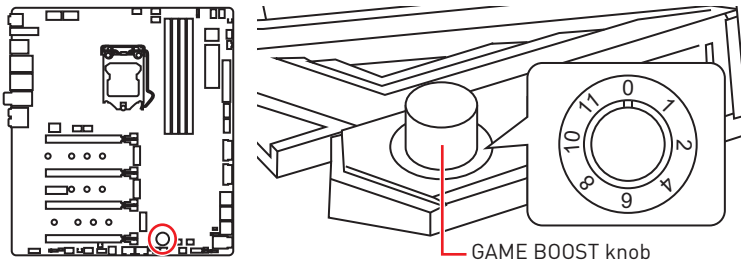
PCIE_PWR1			
1	+12V	4	Ground
2	+12V	5	Ground
3	+12V	6	Ground

Important

Make sure that all the power cables are securely connected to a proper ATX power supply to ensure stable operation of the motherboard.

OC1: GAME BOOST Knob

This knob allows you to manually select a stage from number 0 (default) to number 11 (extreme) for overclocking the processor. The processor's voltage and frequency will be automatically adjusted after you power on your computer.



Using GAME BOOST Knob

To setup the GAME BOOST knob, take the following steps:

1. Set the GAME BOOST knob to hardware mode in BIOS Setup.
2. Power off the computer.
3. Rotate the GAME BOOST knob to select the overclocking stage as you desire.

Stage	CPU Frequency			
	i3-8350K	i5-8600K	i7-8700K	i7-8086K
0	GAME BOOST Disabled	GAME BOOST Disabled	GAME BOOST Disabled	GAME BOOST Disabled
1	4.1G	4.2~4.4 GHz	4.4~4.8 GHz	4.4~5.1 GHz
2	4.2G	4.3~4.5 GHz	4.5~4.9 GHz	4.5~5.2 GHz
4	4.3G	4.4~4.6 GHz	4.6~5.0 GHz	4.6~5.3 GHz
6	4.4G	4.5~4.7 GHz	4.7~5.1 GHz	4.7~5.4 GHz
8	4.5G	4.6~4.8 GHz	4.8~5.2 GHz	4.8~5.5 GHz
10	4.6G	4.7~4.9 GHz	4.9~5.3 GHz	4.9~5.6 GHz
11	4.7G	4.8~5.0 GHz	5.0~5.4 GHz	5.0~5.7 GHz

4. Power on and then GAME BOOST will automatically overclock processor depending on the stage you selected.

To disable GAME BOOST:

1. Set the GAME BOOST knob to HW mode in BIOS Setup.
2. Power off the computer.
3. Rotate the GAME BOOST knob to 0 and then power on. The configuration parameters will be returned to default values.



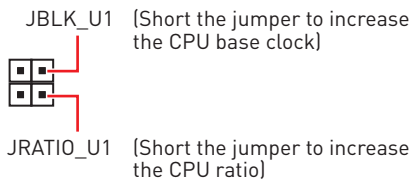
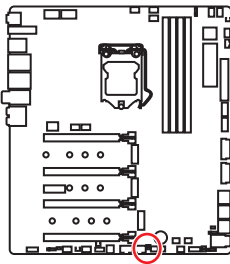
- When enabling GAME BOOST mode, it is recommended to use liquid CPU cooler with

dual fan radiator for better cooling and performance.

- You can also control the GAME BOOST function in **BIOS Setup** or with **MSI DRAGON CENTER** software.
- In order to optimize performance and improve system stability, when you activate the GAME BOOST function, please leave the settings in the **BIOS > OC** menu unchanged.
- The success of overclocking depends on the components of your computer.
- We do not guarantee the GAME BOOST overclocking range or the damages/ risks caused by overclocking behavior.
- MSI components are recommended for better compatibility when using GAME BOOST function.

JBLK_U1, JRATIO_U1: Base clock Plus, Ratio Plus connectors

You can use these connectors to connect the external buttons. Press the button connecting to JBLK_U1 to increase the CPU base clock or press the button connecting to JRATIO_U1 to increase the CPU ratio.

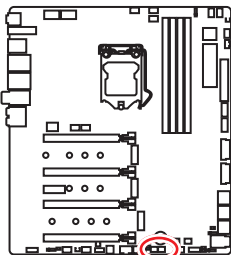


OC_FS1: OC Force Enter BIOS Button

When you press this button, the system will be forced into BIOS without showing the OC_FAIL message.

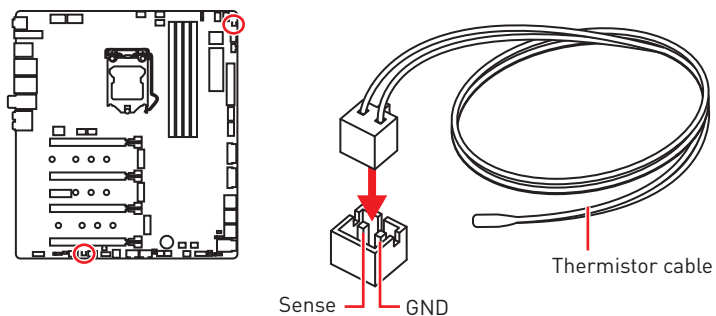
OC_RT2: OC Retry Button

When you press and hold this button, the system will keep retrying OC items until it boot up successfully.



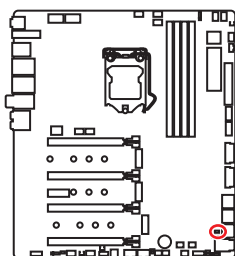
T_SEN1~2: Thermal Sensor Connectors

These connectors allow you to connect the thermistor cable and use it to monitor the temperature of the detection point.



JSL0W1: Slow Mode Booting Jumper

This jumper is used for LN2 cooling solution, that provides the extreme overclocking conditions, to boot at a stable processor frequency and to prevent the system from crashing.



Normal
(default)



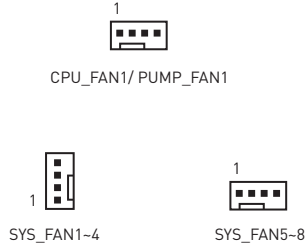
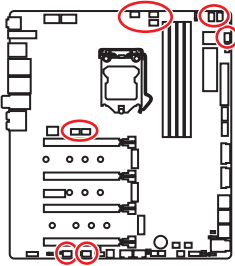
Enabled
(Please enable this jumper
during BIOS POST.)

Important

- Users will try extreme low temperature overclocking at their own risks. The overclocking results will vary according to the CPU version.
- Please don't set to **Enabled** when power-off or the system will be un-bootable.

CPU_FAN1, PUMP_FAN1, SYS_FAN1~8: Fan Connectors

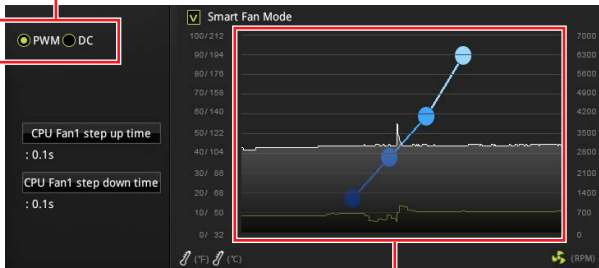
Fan connectors can be classified as PWM (Pulse Width Modulation) Mode or DC Mode. PWM Mode fan connectors provide constant 12V output and adjust fan speed with speed control signal. DC Mode fan connectors control fan speed by changing voltage. This motherboard can automatically detect PWM and DC mode. However, you can follow the instruction below to adjust the fan connector to PWM or DC Mode manually.



Switching fan mode and adjusting fan speed

You can switch between PWM mode and DC mode and adjust fan speed in **BIOS > HARDWARE MONITOR**.

Select **PWM** mode or **DC** mode



There are gradient points of the fan speed that allow you to adjust fan speed in relation to CPU temperature.

Important

Make sure fans are working properly after switching the PWM/ DC mode.

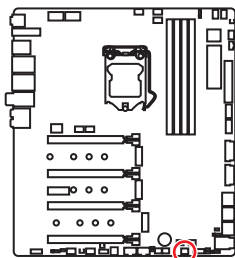
Pin definition of fan connectors


PWM Mode pin definition			
1	Ground	2	+12V
3	Sense	4	Speed Control Signal

DC Mode pin definition			
1	Ground	2	Voltage Control
3	Sense	4	NC

W_FLOW1: Water Flow Meter Connector

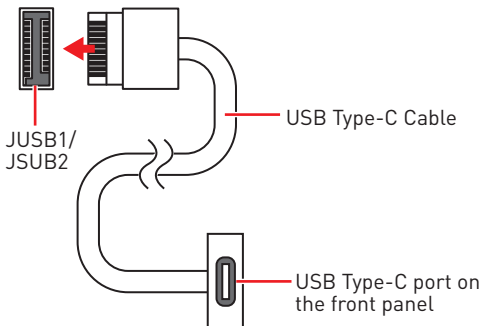
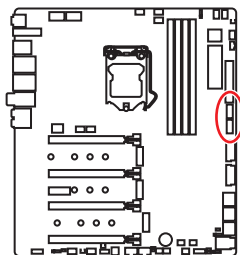
This connector allows you to connect a water flow meter to monitor the flow rate of your liquid cooling system.



1 			
1	Ground	3	WFLOW IN
2	WFLOW PWR		

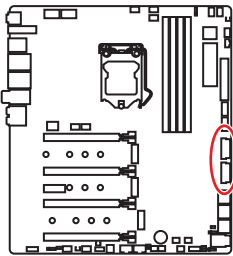
JUSB1~2: USB 3.1 Gen2 Type-C Connectors

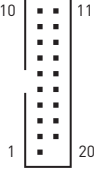
These connectors allow you to connect USB 3.1 Gen2 Type-C connectors on the front panel. The connector possesses a foolproof design. When you connect the cable, be sure to connect it with the corresponding orientation.



JUSB3~4: USB 3.1 Gen1 Connectors

These connectors allow you to connect USB 3.1 Gen1 ports on the front panel.



			
1	Power	11	USB2.0+
2	USB3_RX_DN	12	USB2.0-
3	USB3_RX_DP	13	Ground
4	Ground	14	USB3_TX_C_DP
5	USB3_TX_C_DN	15	USB3_TX_C_DN
6	USB3_TX_C_DP	16	Ground
7	Ground	17	USB3_RX_DP
8	USB2.0-	18	USB3_RX_DN
9	USB2.0+	19	Power
10	NC	20	No Pin

Important

Note that the Power and Ground pins must be connected correctly to avoid possible damage.

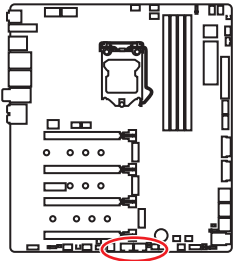
Charger Port

The **JUSB4** connector is a charger port which can increase USB power output for fast charging your smartphone or USB-powered devices. The Charger Port is hardware controlled by motherboard chip, it can still charge your device in suspend, hibernate state or even shutdown states. However, when you boot the computer into Windows®, you will need to install the MSI DRAGON CENTER software to turn ON/OFF the Charging mode.

Important

When the Charging mode is enabled, the Charger Port data syncing will be disabled.

JUSB5~6: USB 2.0 Connectors



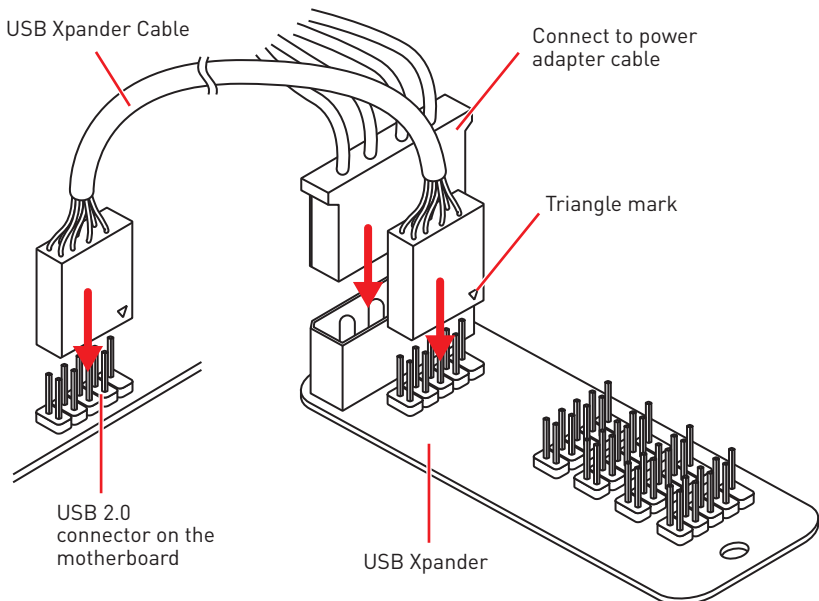
1	VCC	2	VCC
3	USB0-	4	USB1-
5	USB0+	6	USB1+
7	Ground	8	Ground
9	No Pin	10	NC

Important

- Note that the VCC and Ground pins must be connected correctly to avoid possible damage.
- In order to recharge your iPad, iPhone and iPod through USB ports, please install MSI DRAGON CENTER utility.

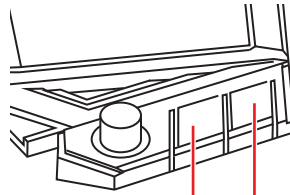
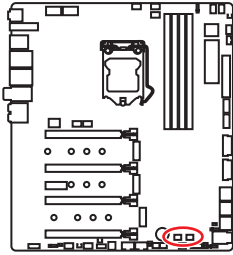
Connecting USB Xpander

The USB Xpander is used to expand a single USB 2.0 connector to 4 connectors. Use the USB Xpander Cable to connect the expansion board and the motherboard as shown below.



POWER1, RESET1: Power Button, Reset Button

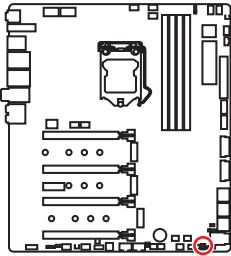
The Power / Reset button allows you to power on / reset the computer.



Reset button Power button

JBAT1: Clear CMOS (Reset BIOS) Jumper

There is CMOS memory onboard that is external powered from a battery located on the motherboard to save system configuration data. If you want to clear the system configuration, set the jumper to clear the CMOS memory.



Keep Data
(default)



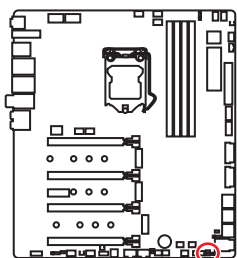
Clear CMOS/
Reset BIOS

Resetting BIOS to default values

1. Power off the computer and unplug the power cord
2. Use a jumper cap to short JBAT1 for about 5-10 seconds.
3. Remove the jumper cap from JBAT1.
4. Plug the power cord and power on the computer.

JCI1: Chassis Intrusion Connector

This connector allows you to connect the chassis intrusion switch cable.



Normal
(default)



Trigger the chassis
intrusion event

Using chassis intrusion detector

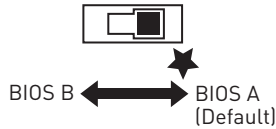
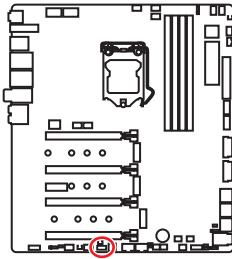
1. Connect the **JCI1** connector to the chassis intrusion switch/ sensor on the chassis.
2. Close the chassis cover.
3. Go to **BIOS > SETTINGS > Security > Chassis Intrusion Configuration**.
4. Set **Chassis Intrusion** to **Enabled**.
5. Press **F10** to save and exit and then press the **Enter** key to select **Yes**.
6. Once the chassis cover is opened again, a warning message will be displayed on screen when the computer is turned on.

Resetting the chassis intrusion warning

1. Go to **BIOS > SETTINGS > Security > Chassis Intrusion Configuration**.
2. Set **Chassis Intrusion** to **Reset**.
3. Press **F10** to save and exit and then press the **Enter** key to select **Yes**.

BIOS_SW1: Multi-BIOS Switch

This motherboard has two built-in BIOS ROMs. If one is crashed, you can shift to the other for booting by sliding the switch.



Recovering BIOS

When BIOS updating fails or causes the computer non-bootable, you can recover the failed BIOS by the steps below. Before recovering, please download the latest BIOS file that matches your motherboard model from MSI website. And then save the BIOS file to the root of the USB flash drive.

1. Power off the computer.
2. Switch to the normal BIOS ROM with **Multi-BIOS switch**.
3. Insert the USB flash drive into the computer.
4. Power on the computer and press Del key to enter BIOS setup during POST.
5. Select the **M-FLASH** tab and click on **Yes** to reboot the system and enter the flash mode.
6. Select a BIOS file to perform the BIOS recovering process.
7. Switch to the failed BIOS ROM with **Multi-BIOS switch**, and click on **Yes** to start recovering BIOS.
8. After the recovering process is completed, the system will reboot automatically.

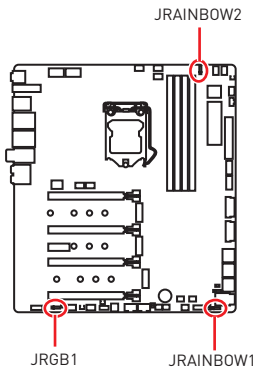


Important

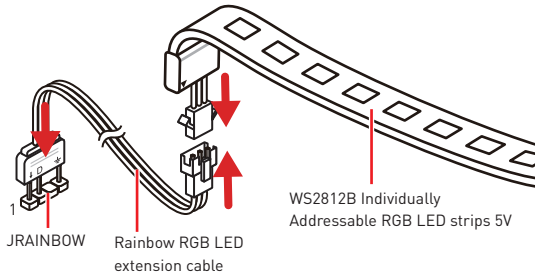
- Do not use the Multi-BIOS switch when system is booting up.
- You can also use the **LIVE UPDATE** or **BIOS FLASHBACK+** utility to flash BIOS. Please refer to BIOS section for details.

JRGB1, JRAINBOW1~2: RGB LED connectors

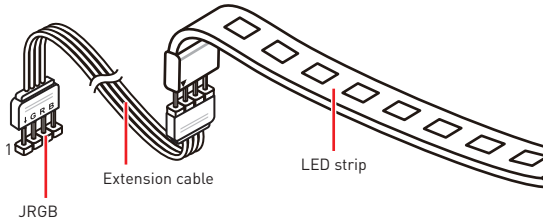
The JRGB connector allows you to connect the 5050 RGB LED strips 12V. The JRAINBOW connector allows you to connect the WS2812B Individually Addressable RGB LED strips 5V.



1				JRAINBOW2			
JRAINBOW1				1			
1	+5V	2	Data				
3	No Pin	4	Ground				



1				JRGB1			
1				+12V			
1	+12V	2	G				
3	R	4	B				



CAUTION

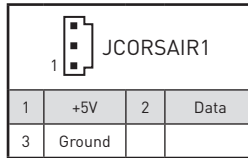
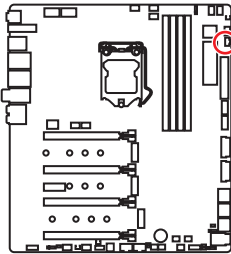
Do not connect the wrong type of LED strips. The JRGB connector and the JRAINBOW connector provide different voltages, and connecting the 5V LED strip to the JRGB connector will result in damage to the LED strip.

Important

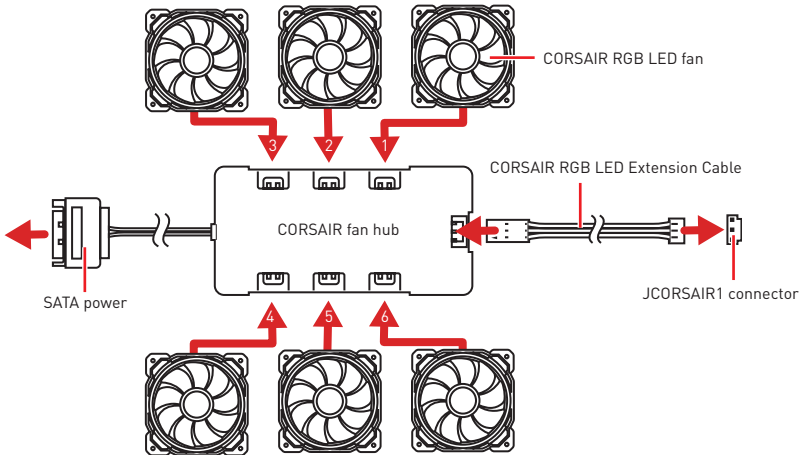
- The JRGB connector supports up to 2 meters continuous 5050 RGB LED strips (12V/G/R/B) with the maximum power rating of 3A (12V).
- The JRAINBOW connector supports up to 75 LEDs WS2812B Individually Addressable RGB LED strips (5V/Data/Ground) with the maximum power rating of 3A (5V). In the case of 20% brightness, the connector supports up to 200 LEDs.
- Always turn off the power supply and unplug the power cord from the power outlet before installing or removing the RGB LED strip.
- Please use MSI's software to control the extended LED strip.

JCORSAIR1: CORSAIR Connector

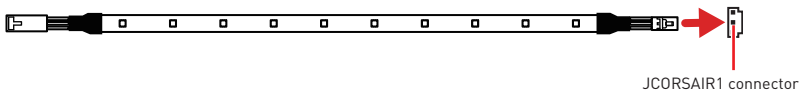
The JCORSAIR1 connector allows you to connect the CORSAIR Individually Addressable RGB LED strips 5V or CORSAIR RGB LED fans with the CORSAIR fan hub. Once all items are connected properly, you can control the CORSAIR RGB LED strips and fans with MSI's software.



CORSAIR RGB LED Fan Connection



CORSAIR Lighting Node PRO Connection

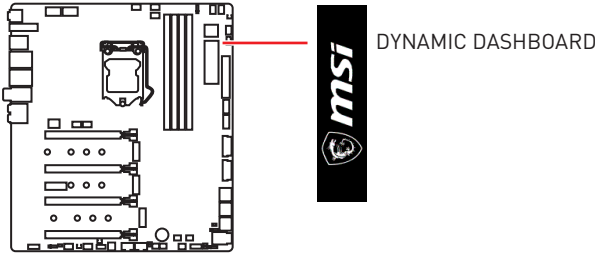


Important

- Fans must start at 1 and continue in series. 1 > 2 > 3 > 4 > 5 > 6. Any fan not connected in series will break communication and the RGB LED lighting function will not work.
- Quantity of RGB LED Fans or RGB LED Lighting PRO strips supported may differ between models. Please refer to the motherboard specification.
- CORSAIR RGB LED Fan and CORSAIR Lighting Node PRO can't be used at the same time.

DYNAMIC DASHBOARD

The DYNAMIC DASHBOARD can be used to display system information, CPU temperature, CPU speed, BIOS flash status and error message. You can use MSI's software to configure and customize the DYNAMIC DASHBOARD and even upload a .gif animation file.



DYNAMIC DASHBOARD Status Table

System Status	DYNAMIC DASHBOARD	System Status	DYNAMIC DASHBOARD
Power On		Flashback BIOS (Finish)	Finished :)
		Flashback BIOS (Error)	Update Error
CPU is not detected or fail		Fan Speed/ Temperature/ Voltage	
DRAM is not detected or fail		Game Boost	
GPU is not detected or fail		CPU/ VGA/ Memory information	
Enter the OS			
S3 [Suspend to RAM]			
S4/S5 [Suspend to Disk/ Shutdown]		User profile	256*64px .gif
Flashback BIOS (Update)			

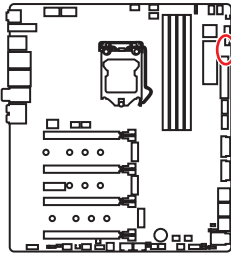
Important

For information on configuration and customization DYNAMIC DASHBOARD, please refer to the MSI's website.

Onboard LEDs

EZ Debug LED

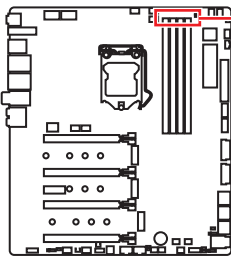
These LEDs indicate the debug status of the motherboard.



- CPU** - indicates CPU is not detected or fail.
- DRAM** - indicates DRAM is not detected or fail.
- VGA** - indicates GPU is not detected or fail.
- BOOT** - indicates the booting device is not detected or fail.

DIMM LEDs

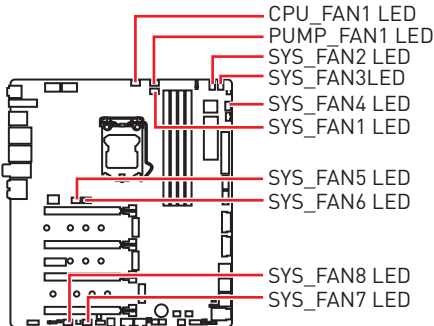
These LED indicate the memory modules are installed.



DIMM LEDs

Fan LEDs

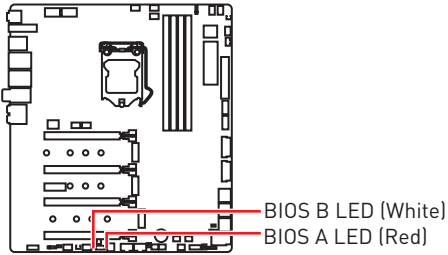
These LEDs indicate the fan control mode.



LED color	Fan control mode
Red	PWM mode
White	DC mode

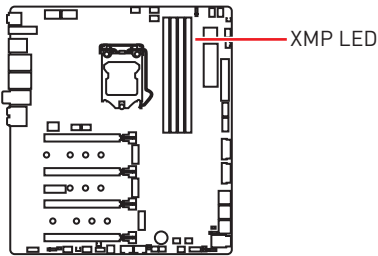
Multi-BIOS LEDs

Multi-BIOS LEDs indicate which BIOS ROM is in operation.



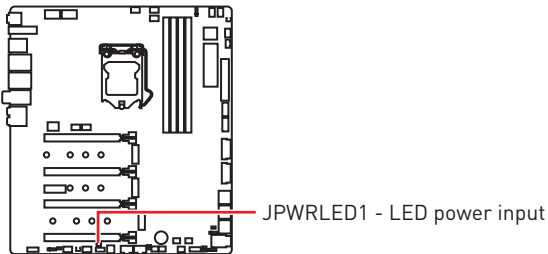
XMP LED

This LED indicates the XMP (Extreme Memory Profile) mode is enabled.



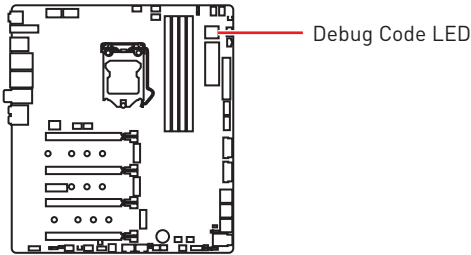
JPWRLED1: LED power input

This connector is used by retailers to demonstrate onboard LED light effects.



Debug Code LED

The Debug Code LED displays progress and error codes during and after POST. Refer to the Debug Code LED table for details.



Hexadecimal Character Table

Hexadecimal	0	1	2	3	4	5	6	7	8	9	A	B	C	D	E	F
Debug Code LED display	0	1	2	3	4	5	6	7	8	9	A	b	C	d	E	F

Boot Phases

Security (SEC) – initial low-level initialization

Pre-EFI Initialization (PEI) – memory initialization

Driver Execution Environment (DXE) – main hardware initialization

Boot Device Selection (BDS) – system setup, pre-OS user interface & selecting a bootable device (CD/DVD, HDD, USB, Network, Shell, ...)

Debug Code LED Table

SEC Progress Codes

01	Power on. Reset type detection (soft/hard)
02	AP initialization before microcode loading
03	System Agent initialization before microcode loading
04	PCH initialization before microcode loading
06	Microcode loading
07	AP initialization after microcode loading
08	System Agent initialization after microcode loading
09	PCH initialization after microcode loading
0B	Cache initialization

SEC Error Codes

0C - 0D	Reserved for future AMI SEC error codes
0E	Microcode not found
0F	Microcode not loaded

PEI Progress Codes

10	PEI Core is started
11	Pre-memory CPU initialization is started
12 - 14	Pre-memory CPU initialization (CPU module specific)
15	Pre-memory System Agent initialization is started
16 - 18	Pre-Memory System Agent initialization (System Agent module specific)
19	Pre-memory PCH initialization is started
1A - 1C	Pre-memory PCH initialization (PCH module specific)
2B	Memory initialization. Serial Presence Detect (SPD) data reading
2C	Memory initialization. Memory presence detection
2D	Memory initialization. Programming memory timing information
2E	Memory initialization. Configuring memory
2F	Memory initialization (other)
31	Memory Installed
32	CPU post-memory initialization is started
33	CPU post-memory initialization. Cache initialization
34	CPU post-memory initialization. Application Processor(s) (AP) initialization
35	CPU post-memory initialization. Boot Strap Processor (BSP) selection
36	CPU post-memory initialization. System Management Mode (SMM) initialization
37	Post-Memory System Agent initialization is started
38 - 3A	Post-Memory System Agent initialization (System Agent module specific)
3B	Post-Memory PCH initialization is started
3C - 3E	Post-Memory PCH initialization (PCH module specific)
4F	DXE IPL is started

PEI Error Codes

50	Memory initialization error. Invalid memory type or incompatible memory speed
51	Memory initialization error. SPD reading has failed
52	Memory initialization error. Invalid memory size or memory modules do not match
53	Memory initialization error. No usable memory detected
54	Unspecified memory initialization error
55	Memory not installed

56	Invalid CPU type or Speed
57	CPU mismatch
58	CPU self test failed or possible CPU cache error
59	CPU micro-code is not found or micro-code update is failed
5A	Internal CPU error
5B	Reset PPI is not available
5C - 5F	Reserved for future AMI error codes

DXE Progress Codes

60	DXE Core is started
61	NVRAM initialization
62	Installation of the PCH Runtime Services
63	CPU DXE initialization is started
64 - 67	CPU DXE initialization (CPU module specific)
68	PCI host bridge initialization
69	System Agent DXE initialization is started
6A	System Agent DXE SMM initialization is started
6B - 6F	System Agent DXE initialization (System Agent module specific)
70	PCH DXE initialization is started
71	PCH DXE SMM initialization is started
72	PCH devices initialization
73 - 77	PCH DXE Initialization (PCH module specific)
78	ACPI module initialization
79	CSM initialization
7A - 7F	Reserved for future AMI DXE codes
90	Boot Device Selection (BDS) phase is started
91	Driver connecting is started
92	PCI Bus initialization is started
93	PCI Bus Hot Plug Controller Initialization
94	PCI Bus Enumeration 32
95	PCI Bus Request Resources
96	PCI Bus Assign Resources
97	Console Output devices connect
98	Console input devices connect
99	Super IO Initialization
9A	USB initialization is started
9B	USB Reset
9C	USB Detect
9D	USB Enable

9E -9F	Reserved for future AMI codes
A0	IDE initialization is started
A1	IDE Reset
A2	IDE Detect
A3	IDE Enable
A4	SCSI initialization is started
A5	SCSI Reset
A6	SCSI Detect
A7	SCSI Enable
A8	Setup Verifying Password
A9	Start of Setup
AB	Setup Input Wait
AD	Ready To Boot event
AE	Legacy Boot event
AF	Exit Boot Services event
B0	Runtime Set Virtual Address MAP Begin
B1	Runtime Set Virtual Address MAP End
B2	Legacy Option ROM Initialization
B3	System Reset
B4	USB hot plug
B5	PCI bus hot plug
B6	Clean-up of NVRAM
B7	Configuration Reset (reset of NVRAM settings)
B8 - BF	Reserved for future AMI codes

DXE Error Codes

D0	CPU initialization error
D1	System Agent initialization error
D2	PCH initialization error
D3	Some of the Architectural Protocols are not available
D4	PCI resource allocation error. Out of Resources
D5	No Space for Legacy Option ROM
D6	No Console Output Devices are found
D7	No Console Input Devices are found
D8	Invalid password
D9	Error loading Boot Option (LoadImage returned error)
DA	Boot Option is failed (StartImage returned error)
DB	Flash update is failed

DC	Reset protocol is not available
----	---------------------------------

S3 Resume Progress Codes

E0	S3 Resume is started (S3 Resume PPI is called by the DXE IPL)
E1	S3 Boot Script execution
E2	Video repost
E3	OS S3 wake vector call
E4 - E7	Reserved for future AMI progress codes

S3 Resume Error Codes

E8	S3 Resume Failed
E9	S3 Resume PPI not Found
EA	S3 Resume Boot Script Error
EB	S3 OS Wake Error
EC - EF	Reserved for future AMI error codes

Recovery Progress Codes

F0	Recovery condition triggered by firmware (Auto recovery)
F1	Recovery condition triggered by user (Forced recovery)
F2	Recovery process started
F3	Recovery firmware image is found
F4	Recovery firmware image is loaded
F5 - F7	Reserved for future AMI progress codes

Recovery Error Codes

F8	Recovery PPI is not available
F9	Recovery capsule is not found
FA	Invalid recovery capsule
FB - FF	Reserved for future AMI error codes

ACPI States Codes

The following codes appear after booting and the operating system into ACPI modes.

01	System is entering S1 sleep state
02	System is entering S2 sleep state
03	System is entering S3 sleep state
04	System is entering S4 sleep state
05	System is entering S5 sleep state
10	System is waking up from the S1 sleep state
20	System is waking up from the S2 sleep state
30	System is waking up from the S3 sleep state
40	System is waking up from the S4 sleep state
AC	System has transitioned into ACPI mode. Interrupt controller is in PIC mode.
AA	System has transitioned into ACPI mode. Interrupt controller is in APIC mode.

CPU Temperature

00 - 99	Displays current CPU temperature after the system has fully booted into the OS.
---------	---

Installing OS, Drivers & Utilities

Please download and update the latest utilities and drivers at www.msi.com

Installing Windows® 10

1. Power on the computer.
2. Insert the Windows® 10 installation disc/USB into your computer.
3. Press the **Restart** button on the computer case.
4. Press **F11** key during the computer POST (Power-On Self Test) to get into Boot Menu.
5. Select the Windows® 10 installation disc/USB from the Boot Menu.
6. Press any key when screen shows **Press any key to boot from CD or DVD...** message.
7. Follow the instructions on the screen to install Windows® 10.

Installing Drivers

1. Start up your computer in Windows® 10.
2. Insert MSI® Driver Disc into your optical drive.
3. Click the **Select to choose what happens with this disc** pop-up notification, then select **Run DVDSetup.exe** to open the installer. If you turn off the AutoPlay feature from the Windows Control Panel, you can still manually execute the **DVDSetup.exe** from the root path of the MSI Driver Disc.
4. The installer will find and list all necessary drivers in the **Drivers/Software** tab.
5. Click the **Install** button in the lower-right corner of the window.
6. The drivers installation will then be in progress, after it has finished it will prompt you to restart.
7. Click **OK** button to finish.
8. Restart your computer.

Installing Utilities

Before you install utilities, you must complete drivers installation.

1. Open the installer as described above.
2. Click the **Utilities** tab.
3. Select the utilities you want to install.
4. Click the **Install** button in the lower-right corner of the window.
5. The utilities installation will then be in progress, after it has finished it will prompt you to restart.
6. Click **OK** button to finish.
7. Restart your computer.

BIOS Setup

The default settings offer the optimal performance for system stability in normal conditions. You should **always keep the default settings** to avoid possible system damage or failure booting unless you are familiar with BIOS.



- *BIOS items are continuously update for better system performance. Therefore, the description may be slightly different from the latest BIOS and should be for reference only. You could also refer to the **HELP** information panel for BIOS item description.*
- *The pictures in this chapter are for reference only and may vary from the product you purchased.*

Entering BIOS Setup

Please refer the following methods to enter BIOS setup.

- Press **Delete** key, when the **Press DEL key to enter Setup Menu, F11 to enter Boot Menu** message appears on the screen during the boot process.
- In **MSI Dragon Center** application, click on **G02BIOS** button and choose **OK**. The system will reboot and enter BIOS setup directly.

Function key

- F1:** General Help
- F2:** Add/ Remove a favorite item
- F3:** Enter Favorites menu
- F4:** Enter CPU Specifications menu
- F5:** Enter Memory-Z menu
- F6:** Load optimized defaults
- F7:** Switch between Advanced mode and EZ mode
- F8:** Load Overclocking Profile
- F9:** Save Overclocking Profile
- F10:** Save Change and Reset*
- F12:** Take a screenshot and save it to USB flash drive (FAT/ FAT32 format only).
- Ctrl+F:** Enter Search page

* When you press F10, a confirmation window appears and it provides the modification information. Select between Yes or No to confirm your choice.

Resetting BIOS

You might need to restore the default BIOS setting to solve certain problems. There are several ways to reset BIOS:

- Go to BIOS and press **F6** to load optimized defaults.
- Short the **Clear CMOS** jumper on the motherboard.



*Be sure the computer is off before clearing CMOS data. Please refer to the **Clear CMOS** jumper section for resetting BIOS.*

Updating BIOS

Updating BIOS with M-FLASH

Before updating:

Please download the latest BIOS file that matches your motherboard model from MSI website. And then save the BIOS file into the USB flash drive.

Updating BIOS:

1. Insert the USB flash drive that contains the update file into the USB port.
2. Please refer the following methods to enter flash mode.
 - Reboot and press **Ctrl + F5** key during POST and click on **Yes** to reboot the system.
 - Reboot and press **Del** key during POST to enter BIOS. Click the **M-FLASH** button and click on **Yes** to reboot the system.
3. Select a BIOS file to perform the BIOS update process.
4. When prompted, switch to the target BIOS ROM with **Multi-BIOS switch**, and click on **Yes** to start recovering BIOS.
5. After the flashing process is 100% completed, the system will reboot automatically.

Updating the BIOS with MSI DRAGON CENTER

Before updating:

Make sure the LAN driver is already installed and the Internet connection is set properly.

Updating BIOS:

1. Install and launch MSI DRAGON CENTER.
2. Select **BIOS Update**.
3. Click on **Scan** button.
4. Click on **Download** icon to download and install the latest BIOS file.
5. Click **Next** and choose **In Windows mode**. And then click **Next** and **Start** to start updating BIOS.
6. After the flashing process is 100% completed, the system will restart automatically.

Updating BIOS with BIOS FLASHBACK+

Before updating:

Please download the latest BIOS file that matches your motherboard model from MSI® website and rename the BIOS file to **MSI.ROM**. And then, save the **MSI.ROM** file to the root of USB flash drive.

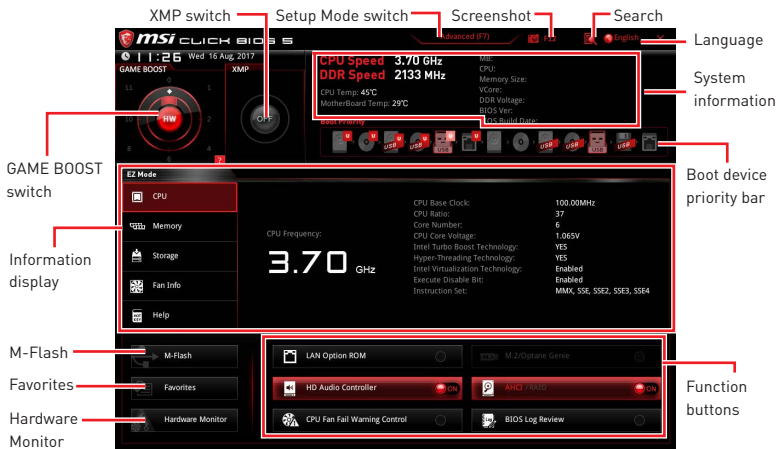



*Only the FAT32 format USB flash drive supports updating BIOS by **BIOS FLASHBACK+**.*

1. Connect power supply to **CPU_PWR1** and **ATX_PWR1**. (No other components are necessary but power supply.)
2. Plug the USB flash drive that contains the MSI.ROM file into the **BIOS FLASHBACK+** port on rear I/O panel.
3. Press the **BIOS FLASHBACK+** button to flash BIOS, and the LED on the FLASHBACK+ button starts flashing.
4. After the flashing BIOS process is 100% completed, the LED would be off simultaneously.

EZ Mode

At EZ mode, it provides the basic system information and allows you to configure the basic setting. To configure the advanced BIOS settings, please enter the Advanced Mode by pressing the **Setup Mode switch** or **F7** function key.



• **GAME BOOST switch** - click on the center button to switch **GAME BOOST** control between **software (SW)** and **hardware (HW)**. The inner circle represents the current stage of hardware **GAME BOOST** and the outer circle stands for software. You can read the CPU frequency of each **GAME BOOST** stage by clicking on the  icon at right-bottom corner.

Important

*Please don't make any changes in OC menu and don't load defaults to keep the optimal performance and system stability after activating the **GAME BOOST** function.*

• **XMP switch** - click on the inner circle to enable/ disable the X.M.P. (Extreme Memory Profile). Switch the outer circle to select the X.M.P. profile. This switch will only be available if the X.M.P. supported memory module is installed.

• **Setup Mode switch** - press this tab or the **F7** key to switch between Advanced mode and EZ mode.

• **Screenshot** - click on this tab or the **F12** key to take a screenshot and save it to USB flash drive (FAT/ FAT32 format only).

• **Search** - click on this tab or the **Ctrl+F** keys and the search page will show. It allows you to search by BIOS item name, enter the item name to find the item listing. Move the mouse over a blank space and right click the mouse to exit search page.

Important

In search page, only the F6, F10 and F12 function keys are available.

• **Language** - allows you to select the language of BIOS setup.

• **System information** - shows the CPU/ DDR speed, CPU/ MB temperature, MB/ CPU type, memory size, CPU/ DDR voltage, BIOS version and build date.

• **Boot device priority bar** - you can move the device icons to change the boot priority. The boot priority from high to low is left to right.

- **Information display** - click on the **CPU, Memory, Storage, Fan Info** and **Help** buttons on left side to display related information.

- **Function buttons** - enable or disable the **LAN Option ROM, M.2/Optane Genie, HD audio controller, AHCI, RAID, CPU Fan Fail Warning Control** and **BIOS Log Review** by clicking on their respective button.

- **M-Flash** - click on this button to display the **M-Flash** menu that provides the way to update BIOS with a USB flash drive.

- **Hardware Monitor** - click on this button to display the **Hardware Monitor** menu that allows you to manually control the fan speed by percentage.

- **Favorites** - press the **Favorites** tab or the **F3** key to enter **Favorites** menu. It allows you to create personal BIOS menu where you can save and access favorite/ frequently-used BIOS setting items.

- **Default HomePage** - allows you to select a BIOS menu (e.g. SETTINGS, OC...,etc) as the BIOS home page.

- **Favorite1~5** - allows you to add the frequently-used/ favorite BIOS setting items in one page.

- **To add a BIOS item to a favorite page (Favorite 1~5)**

1. Move the mouse over a BIOS item not only on BIOS menu but also on search page.

2. Right-click or press **F2** key.

3. Choose a favorite page and click on **OK**.

- **To delete a BIOS item from favorite page**

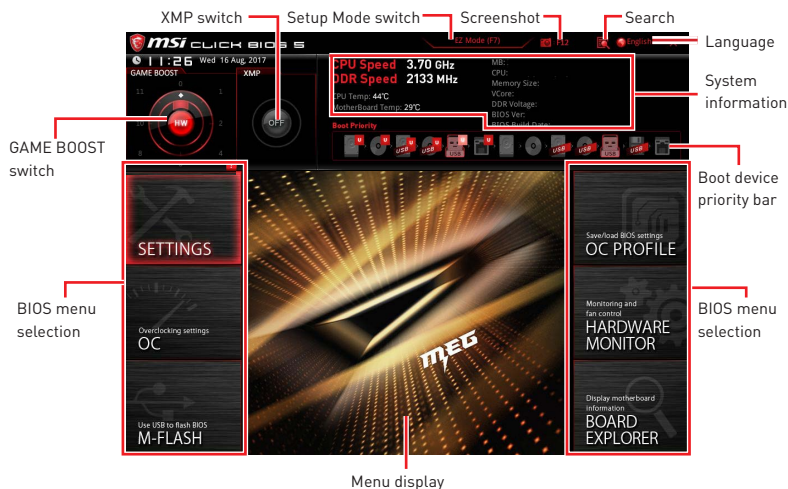
1. Move the mouse over a BIOS item on favorite page (Favorite 1~5)

2. Right-click or press **F2** key.

3. Choose **Delete** and click on **OK**.

Advanced Mode

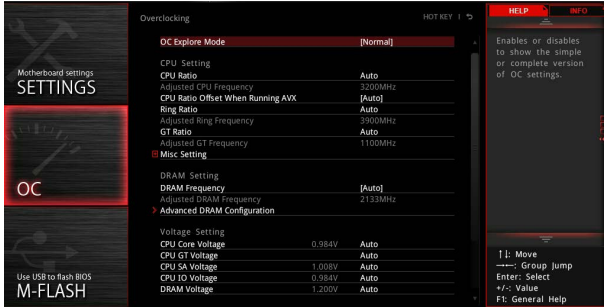
Press **Setup Mode switch** or **F7** function key can switch between EZ Mode and Advanced Mode in BIOS setup.



- **GAME BOOST switch/ XMP switch/ Setup Mode switch/ Screenshot/ Language/ System information/ Boot device priority bar** - please refer to the descriptions of EZ Mode Overview section.
- **BIOS menu selection** - the following options are available:
 - **SETTINGS** - allows you to specify the parameters for chipset and boot devices.
 - **OC** - allows you to adjust the frequency and voltage. Increasing the frequency may get better performance.
 - **M-FLASH** - provides the way to update BIOS with a USB flash drive.
 - **OC PROFILE** - allows you to manage overclocking profiles.
 - **HARDWARE MONITOR** - allows you to set the speeds of fans and monitor voltages of system.
 - **BOARD EXPLORER** - provides the information of installed devices on this motherboard.
- **Menu display** - provides BIOS setting items and information to be configured.

OC Menu

This menu is for advanced users who want to overclock the motherboard.



Important

- *Overclocking your PC manually is only recommended for advanced users.*
- *Overclocking is not guaranteed, and if done improperly, it could void your warranty or severely damage your hardware.*
- *If you are unfamiliar with overclocking, we advise you to use **GAME BOOST** function for easy overclocking.*

► OC Explore Mode [Expert]

Enables or disables to show the normal or expert version of OC settings.

[Normal] Provides the regular OC settings in BIOS setup.

[Expert] Provides the advanced OC settings for OC expert to configure in BIOS setup.

Note: We use * as the symbol for the OC settings of Expert mode.

► CPU Ratio Apply Mode [All Core]*

Sets applied mode for CPU ratio. This item only appears when a CPU that supports **Turbo Boost** is installed.

[All Core] Enables the **CPU Ratio**. All CPU cores will run the same CPU ratio that be set in **CPU Ratio**.

[Per Core] Enables the **Core X X of X xxxx MHz**. Sets each CPU core ratio separately.

[Turbo Ratio] Enables the **X-Core Ration Limit**. This option only appears when a CPU that supports this function is installed.

► X-Core Ratio Limit [Auto]*

Allows you to set the CPU ratios for different number of active cores. These items only appear when **CPU Ratio Apply Mode** set to **Turbo Ratio**.

► Adjusted CPU Frequency

Shows the adjusted CPU frequency. Read-only.

► Core X X of X xxxx MHz [Auto]*

Allows you to set the CPU ratios for different number of active cores. These items only appear when **CPU Ratio Apply Mode** set to **Per Core**.

► **CPU Ratio Offset When Running AVX [Auto]**

Sets a offset value to lower the CPU core ratio. It could be helpful for heat dissipation when running AVX instruction set. If set to Auto, BIOS will configure this setting automatically. This item appears when the installed CPU supports this function.

► **Ring Ratio [Auto]**

Sets the ring ratio. The valid value range depends on the installed CPU.

► **Adjusted Ring Frequency**

Shows the adjusted Ring frequency. Read-only.

► **GT Ratio [Auto]**

Sets the integrated graphics ratio. The valid value range depends on the installed CPU.

► **Adjusted GT Frequency**

Shows the adjusted integrated graphics frequency. Read-only.

► **Misc Setting***

Press Enter, + or - key to open or close the following 3 items related to CPU features.

► **EIST [Enabled]***

Enables or disables the Enhanced Intel® SpeedStep Technology.

[Enabled] Enables the EIST to adjust CPU voltage and core frequency dynamically. It can decrease average power consumption and average heat production.

[Disabled] Disables EIST.

► **Intel Turbo Boost [Enabled]***

Enables or disables the Intel® Turbo Boost. This item appears when the installed CPU supports this function.

[Enabled] Enables this function to boost CPU performance automatically above rated specifications when system request the highest performance state.

[Disabled] Disables this function.

► **Extreme Memory Profile (X.M.P.) [Disabled]**

X.M.P. (Extreme Memory Profile) is the overclocking technology by memory module. Please enable XMP or select a profile of memory module for overclocking the memory. This item will be available when the memory modules that support X.M.P. is installed.

► **DRAM Reference Clock [Auto]***

Sets the DRAM reference clock. The valid value range depends on the installed CPU. This item appears when a CPU that supports this adjustment is installed.

► **DRAM Frequency [Auto]**

Sets the DRAM frequency. Please note the overclocking behavior is not guaranteed.

► **Adjusted DRAM Frequency**

Shows the adjusted DRAM frequency. Read-only.

► **Memory Try It ! [Disabled]**

It improve memory compatibility or performance by choosing optimized memory preset.

► **DRAM Timing Mode [Link]**

Selects the memory timing mode.

[Link] Allows user to configure the DRAM timing for all memory channel.

[UnLink] Allows user to configure the DRAM timing for respective memory channel.

► **Advanced DRAM Configuration**

Press **Enter** to enter the sub-menu. User can set the memory timing for each/ all memory channel. The system may become un-stable or un-bootable after changing memory timing. If it occurs, please clear the CMOS data and restore the default settings. (Refer to the Clear CMOS jumper/ button section to clear the CMOS data, and enter the BIOS to load the default settings.)

► **Memory Fast Boot [Auto]***

Enables or disables the initiation and training for memory every booting.

[Auto] The setting will be configured automatically by BIOS.

[Enabled] System will completely keep the archives of first initiation and training for memory. So the memory will not be initiated and trained when booting to accelerate the system booting time.

[Disabled] The memory will be initiated and trained every booting.

► **CPU Voltages control [Auto]**

These options allows you to set the voltages related to CPU. If set to **Auto**, BIOS will set these voltages automatically or you can set it manually.

► **DRAM Voltages control [Auto]**

These options allows you to set the voltages related to memory. If set to **Auto**, BIOS will set these voltages automatically or you can set it manually.

► **CPU Memory Changed Detect [Enabled]***

Enables or disables the system to issue a warning message during boot when the CPU or memory has been replaced.

[Enabled] The system will issue a warning message during boot and then you have to load the default settings for new devices.

[Disabled] Disables this function and keeps the current BIOS settings.

► **CPU Specifications**

Press **Enter** to enter the sub-menu. This sub-menu displays the information of installed CPU. You can also access this information menu at any time by pressing [F4]. Read only.

► **CPU Technology Support**

Press **Enter** to enter the sub-menu. The sub-menu shows the key features of installed CPU. Read only.

► MEMORY-Z

Press **Enter** to enter the sub-menu. This sub-menu displays all the settings and timings of installed memory. You can also access this information menu at any time by pressing [F5].

► DIMMA1/A2/B1/B2 Memory SPD

Press **Enter** to enter the sub-menu. The sub-menu displays the information of installed memory. Read only.

► CPU Features

Press **Enter** to enter the sub-menu.

► Hyper-Threading [Enabled]

Intel Hyper-Threading technology treats the multi cores inside the processor as multi logical processors that can execute instructions simultaneously. In this way, the system performance is highly improved. This item appears when the installed CPU supports this technology.

[Enable] Enables Intel Hyper-Threading technology.

[Disabled] Disables this item if the system does not support HT function.

► Active Processor Cores Control [All]

Allows you to select the number of active CPU cores.

► Limit CPUID Maximum [Disabled]

Enables or disables the extended CPUID value.

[Enabled] BIOS limits the maximum CPUID input value to circumvent boot problems with older operating system that do not support the processor with extended CPUID value.

[Disabled] Use the actual maximum CPUID input value.

► Intel Virtualization Tech [Enabled]

Enables or disables Intel Virtualization technology.

[Enabled] Enables Intel Virtualization technology and allows a platform to run multiple operating systems in independent partitions. The system can function as multiple systems virtually.

[Disabled] Disables this function.

► Intel VT-D Tech [Disabled]

Enables or disables Intel VT-D (Intel Virtualization for Directed I/O) technology.

► Hardware Prefetcher [Enabled]

Enables or disables the hardware prefetcher (MLC Streamer prefetcher).

[Enabled] Allows the hardware prefetcher to automatically pre-fetch data and instructions into L2 cache from memory for tuning the CPU performance.

[Disabled] Disables the hardware prefetcher.

► **Adjacent Cache Line Prefetch [Enabled]**

Enables or disables the CPU hardware prefetcher (MLC Spatial prefetcher).

[Enabled] Enables adjacent cache line prefetching for reducing the cache latency time and tuning the performance to the specific application.

[Disabled] Enables the requested cache line only.

► **CPU AES Instructions [Enabled]**

Enables or disables the CPU AES (Advanced Encryption Standard-New Instructions) support. This item appears when a CPU supports this function.

► **Intel Adaptive Thermal Monitor [Enabled]**

Enables or disables the Intel adaptive thermal monitor function to protect the CPU from overheating.

[Enabled] Throttles down the CPU core clock speed when the CPU is over the adaptive temperature.

[Disabled] Disables this function.

► **Intel C-State [Auto]**

Enables or disables the Intel C-state. C-state is a processor power management technology defined by ACPI.

[Auto] This setting will be configured automatically by BIOS.

[Enabled] Detects the idle state of system and reduce CPU power consumption accordingly.

[Disabled] Disable this function.

► **C1E Support [Disabled]**

Enables or disables the C1E function for power-saving in halt state. This item appears when **Intel C-State** is enabled.

[Enabled] Enables C1E function to reduce the CPU frequency and voltage for power-saving in halt state.

[Disabled] Disables this function.

► **Package C State limit [Auto]**

This item allows you to select a CPU C-state level for power-saving when system is idle. The options of C-state depend on the installed CPU. This item appears when **Intel C-State** is enabled.

► **CFG Lock [Enabled]**

Lock or un-lock the MSR 0xE2[15], CFG lock bit.

[Enabled] Locks the CFG lock bit.

[Disabled] Un-locks the CFG lock bit.

► **Long Duration Power Limit (W) [Auto]**

Sets the long duration TDP power limit for CPU in Turbo Boost mode.

► **Long Duration Maintained (s) [Auto]**

Sets the maintaining time for Long duration power Limit(W).

► **Short Duration Power Limit (W) [Auto]**

Sets the short duration TDP power limit for CPU in Turbo Boost mode.

▶ **CPU Current Limit (A) [Auto]**

Sets maximum current limit of CPU package in Turbo Boost mode. When the current is over the specified value, the CPU will automatically reduce the core frequency for reducing the current.

▶ **FCLK Frequency [Auto]**

Sets FCLK frequency. Lower FCLK frequency may help you to set higher base clock frequency.

▶ **DMI Link Speed [Auto]**

Sets DMI speed.

▶ **SW Guard Extensions (SGX) [Software Control]**

Enables or disables Intel SGX.

Inhalt

Sicherheitshinweis	3
Spezifikationen	4
JCORSAIR1 Anschluss-Spezifikationen.....	10
Packungsinhalt	11
Rückseite E/A	12
LAN Port LED Zustandstabelle.....	12
Konfiguration der Audioanschlüsse.....	12
Realtek Audio Console.....	13
Antennen installieren.....	15
Übersicht der Komponenten	16
CPU Sockel.....	17
DIMM-Steckplätze.....	18
PCI_E1~5: PCIe Erweiterungssteckplätze.....	19
PEGSW1: PCIe CeaseFire Schalter.....	20
U2_1: U.2 Anschluss.....	22
M2_1~3: M.2 Steckplätze (Key M).....	23
Spannungsmesspunkte.....	25
Installation der M.2 Xpander-Z Karte.....	26
SATA1~6: SATA 6 Gb/s Anschlüsse.....	27
JFP1, JFP2: Frontpanel-Anschlüsse.....	29
JAUD1: Audioanschluss des Frontpanels.....	29
CPU_PWR1~2, ATX_PWR1, PCIE_PWR1: Stromanschlüsse.....	30
OC1: GAME BOOST Drehschalter.....	31
JBLK_U1, JRATIO_U1: Basistakt Plus/ Ratio Plus Anschlüsse.....	32
OC_FS1: OC Force Enter BIOS Taste.....	32
OC_RT2: OC Retry Taste.....	32
T_SEN1~2: Anschlüsse für einen Temperaturfühler.....	33
JSLOW1: Slow Mode Booting Steckbrücke.....	33
CPU_FAN1, PUMP_FAN1, SYS_FAN1~8: Stromanschlüsse für Lüfter.....	34
W_FLOW1: Anschluss des Wasserdurchflusssensors.....	35
JUSB1~2: USB 3.1 Gen2 Typ-C Anschluss.....	35
JUSB3~4: USB 3.1 Gen1 Anschlüsse.....	36
JUSB5~6: USB 2.0 Anschlüsse.....	37
POWER1, RESET1: Power-Taste, Reset-Taste.....	38
JBAT1: Clear CMOS Steckbrücke (Reset BIOS).....	38
JCI1: Gehäusekontaktanschluss.....	39
BIOS_SW1: Multi-BIOS Schalter.....	40
JRGB1, JRAINBOW1~2: RGB LED Anschlüsse.....	41

JCORSAIR1: CORSAIR Anschluss.....	42
OLED Status-Anzeige	43
OLED Status-Anzeige Statustabelle.....	43
Onboard-LEDs	44
EZ Debug LED.....	44
DIMM LEDs	44
Lüfter LEDs.....	44
Multi-BIOS LEDs.....	45
XMP LED	45
JPWRLED1: LED LED Stromzufuhr.....	45
Debug-Code-LED	46
Hexadezimalzeichen.....	46
Boot-Phasen.....	46
Debug-Code-LED-Tabelle	46
ACPI Status-Codes	51
CPU-Temperatur	51
Installation von OS, Treibern und Utilities	52
Installation von Windows® 10	52
Installation von Treibern.....	52
Installation von Utilities.....	52
BIOS Setup	53
Öffnen des BIOS Setups.....	53
Reset des BIOS	54
Aktualisierung des BIOS.....	54
EZ Modus	56
Erweiterter Modus	58
OC Menü.....	59

Sicherheitshinweis

- Die im Paket enthaltene Komponenten sind der Beschädigung durch elektrostatischen Entladung (ESD). Beachten Sie bitte die folgenden Hinweise, um die erfolgreichen Computermontage sicherzustellen.
- Stellen Sie sicher, dass alle Komponenten fest angeschlossen sind. Lockere Steckverbindungen können Probleme verursachen, zum Beispiel: Der Computer erkennt eine Komponente nicht oder startet nicht.
- Halten Sie das Motherboard nur an den Rändern fest, und verhindern Sie die Berührung der sensiblen Komponenten.
- Um eine Beschädigung der Komponenten durch elektrostatische Entladung (ESD) zu vermeiden, sollten Sie eines elektrostatischen Armbands während der Handhabung des Motherboards tragen. Wenn kein elektrostatischen Handgelenkband vorhanden ist, sollten Sie Ihre statische Elektrizität ableiten, indem Sie ein anderes Metallobjekt berühren, bevor Sie das Motherboard anfassen.
- Bewahren Sie das Motherboard in einer elektrostatische Abschirmung oder einem Antistatiktuch auf, wenn das Motherboard nicht installiert ist.
- Überprüfen Sie vor dem Einschalten des Computers, dass sich keine losen Schrauben und andere Bauteile auf dem Motherboard oder im Computergehäuse befinden.
- Bitte starten Sie den Computer nicht, bevor die Installation abgeschlossen ist. Dies könnte permanente Schäden an den Komponenten sowie zu das Verletzung des Benutzers verursachen.
- Sollten Sie Hilfe bei der Installation benötigen, wenden Sie sich bitte an einen zertifizierten Computer-Techniker.
- Schalten Sie die Stromversorgung aus und ziehen Sie das das Stromkabel ab, bevor Sie jegliche Computer-Komponente ein- und ausbauen.
- Bewahren Sie die Bedienungsanleitung als künftige Referenz auf.
- Halten Sie das Motherboard von Feuchtigkeit fern.
- Bitte stellen Sie sicher, dass Ihre Netzspannung den Hinweisen auf dem Netzteil vor Anschluss des Netzteils an die Steckdose entspricht.
- Verlegen Sie das Netzkabel so, dass niemand versehentlich darauf treten kann. Stellen Sie nichts auf dem Netzkabel ab.
- Alle Achtungs- und Warnhinweise auf dem Motherboard müssen befolgt werden.
- Falls einer der folgenden Umstände eintritt, lassen Sie bitte das Motherboard von Kundendienstpersonal prüfen:
 - Flüssigkeit ist in dem Computer eingedrungen.
 - Das Motherboard wurde Feuchtigkeit ausgesetzt.
 - Das Motherboard funktioniert nicht richtig oder Sie können es nicht wie in der Bedienungsanleitung beschrieben bedienen.
 - Das Motherboard ist heruntergefallen und beschädigt.
 - Das Motherboard weist offensichtlich Zeichen eines Schadens auf.

Nutzen und lagern Sie das Gerät nicht an Stellen, an denen Temperaturen von mehr als 60°C herrschen - das Motherboard kann in diesem Fall Schaden nehmen.

Spezifikationen

CPU	<p>Unterstützt Intel® Core™ 9000 Serie Prozessor-Familie/ Intel® Core™ der 8. Generation Prozessoren / Pentium® Gold / Celeron® Prozessoren für Sockel LGA1151</p> <p>* Weitere Kompatibilitätsinformationen finden Sie unter www.intel.com.</p>
Chipsatz	Intel® Z390 Chipsatz
Speicher	<ul style="list-style-type: none"> • 4x DDR4 Speicherplätze, aufrüstbar bis 64 GB* • Unterstützt DDR4 4600(OC)/ 4533(OC)/ 4500(OC)/ 4400(OC)/ 4300(OC)/ 4266(OC)/ 4200(OC)/ 4133(OC)/ 4000(OC)/ 3866(OC)/ 3733(OC)/ 3600(OC)/ 3466(OC)/ 3400(OC)/ 3333(OC)/ 3300(OC)/ 3200(OC)/ 3000(OC) /2800(OC)/ 2666/ 2400/ 2133 MHz* • Dual-Kanal-Speicherarchitektur • Unterstützt non-ECC, ungepufferte Speicher • Unterstützt Intel® Extreme Memory Profile (XMP) <p>* Weitere Informationen zu kompatiblen Speicher finden Sie unter: http://www.msi.com.</p>
Erweiterungsanschlüsse	<ul style="list-style-type: none"> • 4x PCIe 3.0 x16-Steckplätze* • 1x PCIe 3.0 x1-Steckplatz <p>* Auf Seite 19 finden Sie für Details.</p>
Multi-GPU	<ul style="list-style-type: none"> • Unterstützt die 2-Wege NVIDIA® SLI™ Technologie • Unterstützt die 4-Wege AMD® CrossFire™ Technologie
Aufbewahrung	<p>Intel® Z390 Chipsatz</p> <ul style="list-style-type: none"> • 6x SATA 6Gb/s Anschlüsse* • 3x M.2 Steckplätze (Key M)* <ul style="list-style-type: none"> ▪ M2_1 & M2_3 unterstützen bis zu PCIe 3.0 x4 und SATA 6Gb/s, 2242/ 2260/ 2280/ 22110 Speichergeräte ▪ M2_2 unterstützt bis zu PCIe 3.0 x4 und SATA 6Gb/s, 2242/ 2260/ 2280 Speichergeräte ▪ Intel® Optane™ Technik • 1x U.2 Anschluss* <ul style="list-style-type: none"> ▪ Unterstützt PCIe 3.0 x4 NVMe Speichergeräte <p>* Der M.2_2-Steckplatz, der U.2 Anschluss und die SATA Anschlüsse teilen die Bandbreite. Auf Seite 27 finden Sie für Details.</p> <p>** Bevor Sie Intel® Optane™ Speichermodule verwenden, stellen Sie bitte über Downloads von der MSI Website sicher, dass die Treiber und das BIOS auf dem neuesten Stand sind.</p>

Fortsetzung auf der nächsten Seite

Fortsetzung der vorherigen Seite

RAID	<p>Intel® Z390 Chipsatz</p> <ul style="list-style-type: none">• Unterstützt RAID 0, RAID1, RAID 5 und RAID 10 für SATA Speichergeräte• Unterstützt RAID 0, RAID 1 und RAID 5 für M.2 PCIe Speichergeräte
LAN	<ul style="list-style-type: none">• 2x Killer® E2500 Gigabit LAN Controller
Wireless LAN & Bluetooth®	<p>Killer® 1550 Chipsatz</p> <ul style="list-style-type: none">• Das Wireless-Modul ist im M2_4 (Key-E) Steckplatz vorinstalliert.• Unterstützt Wi-Fi 2x2 802.11 AC• Unterstützt Bluetooth® 4.1, 3.0+HS
USB	<ul style="list-style-type: none">• Intel® Z390 Chipsatz<ul style="list-style-type: none">▪ 6x USB 3.1 Gen2 (SuperSpeed USB 10Gbps) Anschlüsse (1 Typ-C und 3 Typ-A Anschlüsse an der rückseitigen Anschlussleiste, 2 Typ-C interne Anschlüsse)▪ 4x USB 2.0 (High-speed USB) Anschlüsse stehen durch die internen USB Anschluss zur Verfügung• ASMedia® ASM1042 Chipsatz<ul style="list-style-type: none">▪ 2x USB 3.1 Gen1 (SuperSpeed USB) Anschlüsse an der rückseitigen Anschlussleiste• ASMedia® ASM1074 Chipsatz<ul style="list-style-type: none">▪ 4x USB 3.1 Gen1 (SuperSpeed USB) Anschlüsse stehen durch die internen USB Anschluss zur Verfügung
Audio	<ul style="list-style-type: none">• 2x Realtek® ALC1220 Codecs<ul style="list-style-type: none">▪ 7.1-Kanal-HD-Audio▪ Unterstützt S/PDIF-Ausgang• ESS® E9018 Codec<ul style="list-style-type: none">▪ Unterstützt 6,3 mm vergoldeter Stereo-Kopfhörerausgang

Fortsetzung auf der nächsten Seite

Fortsetzung der vorherigen Seite

Hintere Ein- und Ausgänge	<ul style="list-style-type: none">• 1x BIOS FlashBack Taste• 1x Clear CMOS Taste• 2x Wi-Fi Antennenanschlüsse• 1x PS/2 Tastatur/ Maus-Combo-Anschluss• 2x USB 3.1 Gen1 Typ-A Anschlüsse• 2x LAN (RJ45) Anschlüsse• 3x USB 3.1 Gen2 Typ-A Anschlüsse• 1x USB 3.1 Gen2 Typ-C Anschluss• 1x 6,3 mm vergoldeter Stereo-Kopfhöreranschluss• 5x OFC Audiobuchsen• 1x Optischer S/PDIF-Ausgang
Interne Anschlüsse	<ul style="list-style-type: none">• 1x 24-poliger ATX Stromanschluss• 2x 8-polige ATX 12V Stromanschlüsse• 1x 6-poliger ATX 12 V Stromanschluss• 6x SATA 6Gb/s Anschlüsse• 3x M.2 Steckplätze (M-Key)• 1x U.2 Anschluss• 2x USB 3.1 Gen2 Typ-C Anschlüsse• 2x USB 3.1 Gen1 Anschlüsse (unterstützt zusätzliche 4 USB 3.1 Gen1-Ports)• 2x USB 2.0 Anschlüsse (unterstützt zusätzliche 4 USB 2.0-Ports)• 1x 4-poliger CPU-Lüfter-Anschluss• 1x 4-poliger Anschluss für die Wasserpumpe• 8x 4-polige System-Lüfter-Anschlüsse• 1x 3-poliger Anschluss des Wasserdurchflusssensors• 1x Audioanschluss des Frontpanels• 2x System-Panel-Anschlüsse• 1x Gehäusekontaktschalter• 2x 2-polige Anschluss für einen Temperaturfühler• 1x 4-poliger RGB LED Anschluss• 2x 3-polige RAINBOW LED Anschlüsse• 1x 3-polige CORSAIR LED Anschluss


Fortsetzung auf der nächsten Seite

Fortsetzung der vorherigen Seite

Interne Tasten	<ul style="list-style-type: none">• 1x GAME BOOST Drehschalter• 1x OC Retry Taste• 1x OC Force Enter BIOS Taste• 1x Power Taste• 1x Reset Taste
Interne Stiftleisten	<ul style="list-style-type: none">• 1x JBLK_U1 Stiftleisten• 1x JRATIO_U1 Stiftleisten
Schalter	<ul style="list-style-type: none">• 1x Multi-BIOS Schalter• 1x PCIe CeaseFire Schalter
Steckbrücke	<ul style="list-style-type: none">• 1x Slow Mode Steckbrücke
Debug LED	<ul style="list-style-type: none">• 1x 2-Digit Debug Code LED• 4x EZ Debug LED
Anzeigetafel	OLED Status-Anzeige <ul style="list-style-type: none">• Zeigt Systeminformationen an
E/A Anschluss	NUVOTON NCT6797 Controller Chip
Hardware Monitor	<ul style="list-style-type: none">• CPU/System Temperaturerfassung• CPU/System Geschwindigkeitserfassung• CPU/System Lüfterdrehzahlregelung
Formfaktor	<ul style="list-style-type: none">• E-ATX Formfaktor• 12 Zoll x 10,7 Zoll (30,5 cm x 22,5 cm)
BIOS Funktionen	<ul style="list-style-type: none">• Dual BIOS• 2x 128 Mb Flash• UEFI AMI BIOS• ACPI 6.1, SMBIOS 2.8• Mehrsprachenunterstützung

Fortsetzung auf der nächsten Seite

Fortsetzung der vorherigen Seite

Software	<ul style="list-style-type: none">• Treiber• DRAGON CENTER• MYSTIC LIGHT• Killer Control Center• Nahimic Audio• CPU-Z MSI GAMING• MSI App Player (BlueStacks)• Intel® Extreme Tuning Utility• Google Chrome™, Google Toolbar, Google Drive• Norton™ Internet Security Solution
Dragon Center Features	<ul style="list-style-type: none">• GAME OPTIMIZATION• OC Leistung• Hardware Monitor• Eyereast• LAN Manager• Live Update <div data-bbox="657 603 785 730"></div> <p data-bbox="653 753 932 807">Weitere Informationen finden Sie unter http://download.msi.com/manual/mb/DRAGONCENTER2.pdf</p>
Besondere Funktionen	<ul style="list-style-type: none">• Audio<ul style="list-style-type: none">▪ Xtreme Audio DAC▪ Nahimic 3• Netzwerk<ul style="list-style-type: none">▪ Killer TripleShot▪ GAMING LAN mit Killer LAN Manager▪ Killer WiFi• Speicherung<ul style="list-style-type: none">▪ Turbo U.2▪ Triple Turbo M.2

Fortsetzung auf der nächsten Seite

Fortsetzung der vorherigen Seite

**Besondere
Funktionen**

- Lüfter
 - Pump-Lüfter
 - GAMING Lüftersteuerung
- LED
 - Mystic Light 3
 - Mystic Light Extension (RGB)
 - Mystic Light Extension (RAINBOW)
 - Mystic Light Extension (CORSAIR)
 - Mystic Light Sync
 - EZ DEBUG LED
- Schutz
 - DDR4 Steel Armor
 - M.2 Shield 3
 - PCIe Steel Armor
 - U.2 Steel Armor
- Leistung
 - Exklusiver ESS SABRE HiFi Digital/Analog-Wandler (DAC) für verlustfreie, hohe Audioqualität
 - Multi GPU-SLI Technologie
 - Multi GPU-CrossFire Technologie
 - DDR4 Boost
 - GAME Boost
 - Streaming Boost
 - OC Engine
 - Lightning-USB
 - Front-Lightning-USB
 - USB Anschluss mit Typ A+C
- Stabilität
 - 7000+ Quality Test

Fortsetzung auf der nächsten Seite

Fortsetzung der vorherigen Seite

Besondere Funktionen	<ul style="list-style-type: none">• VR<ul style="list-style-type: none">▪ VR Ready▪ Gamer-Erfahrungen▪ GAMING HOTKEY▪ GAMING Maussteuerung• BIOS<ul style="list-style-type: none">▪ Click BIOS 5▪ BIOS FLASHBACK+▪ Dual BIOS• Zertifizierung<ul style="list-style-type: none">▪ Quadro SLI Ready▪ Quadro Ready▪ GAMING Certified
-----------------------------	---

JCORSAIR1 Anschluss-Spezifikationen

Unterstützung von CORSAIR RGB-Produkten	Maximale Verbindung
Lighting Node PRO LED Streifen	20* * Bei der Helligkeit der 20 Prozent
HD120 RGB Lüfter	6
SP120 RGB Lüfter	6
LL120 RGB Lüfter	6

Packungsinhalt

Überprüfen Sie den Packungsinhalt des Mainboards. Die Packung sollte enthalten:

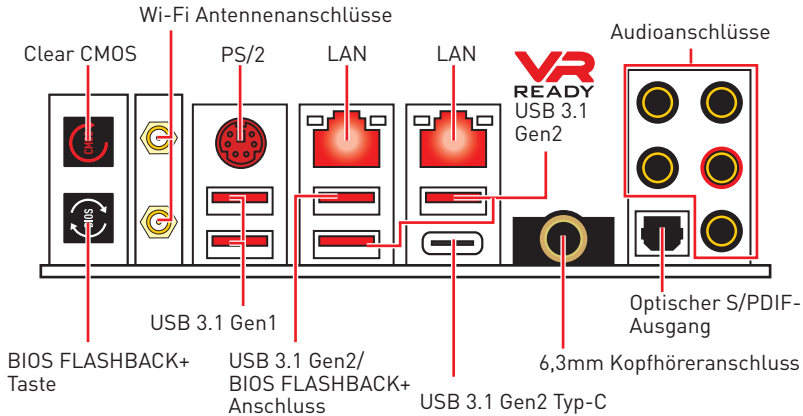
Motherboard	MEG Z390 GODLIKE	
Kabel	SATA 6Gb/s Kabel	6
	1 zu 2 RGB LED Y-Verlängerungskabel 80 cm	1
	CORSAIR RGB LED Verlängerungskabel 50 cm	1
	RAINBOW RGB LED Verlängerungskabel 80 cm	2
	CORSAIR zu RAINBOW RGB Verlängerungskabel 10 cm	1
	Thermistorkabel	2
Zubehör	Antennenset	1
	M.2 Xpander-Z	1
	Streaming Boost	1
	SLI HB BRIDGE L	1
	6,3 mm Audio-Adapter	1
	Gehäuse-Aufkleber	1
	SATA-Kabeletiketten	1
	VIP-Karte	1
Programm DVD	Treiber-DVD	1
Dokumentation	Benutzerhandbuch	1
	Kurzanleitung	1
	Schnellinstallationsanleitung	1



Wichtig

Falls einer der oben aufgeführten Artikel beschädigt ist oder fehlt, wenden Sie sich bitte an Ihren Händler.

Rückseite E/A



- **Clear CMOS Taste** - Schalten Sie den Computer aus. Halten Sie die Taste "Clear CMOS" für 5-10 Sekunden gedrückt, um das BIOS auf die Standardwerte zurückzusetzen.
- **BIOS FLASHBACK+ Taste/Anschluss** - Auf der Seite 55 finden Sie eine Anleitung für eine BIOS-Aktualisierung per BIOS FLASHBACK+.
- **6,3 mm Kopfhöreranschluss** - Der Anschluss dient zum Verbinden eines Kopfhörers.

LAN Port LED Zustandstabelle

Verbindung/ Aktivität LED			Geschwindigkeit LED	
Zustand	Bezeichnung		Zustand	Bezeichnung
Aus	Keine Verbindung		Aus	10 Mbps-Verbindung
Gelb	Verbindung		Grün	100 Mbps-Verbindung
Blinkt	Datenaktivität		Orange	1 Gbps-Verbindung

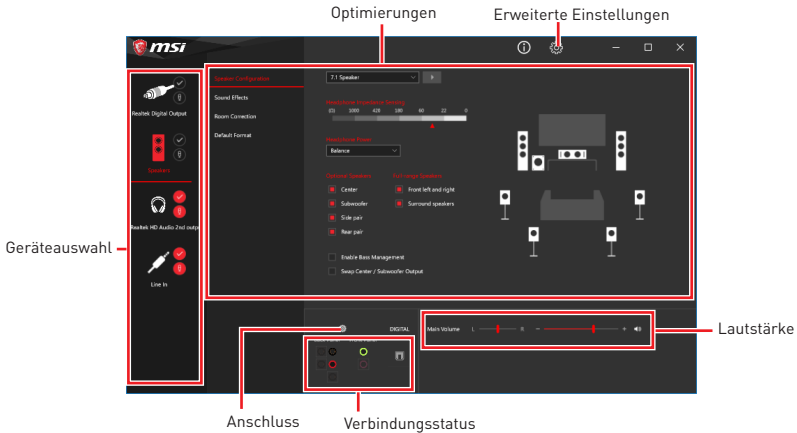
Konfiguration der Audioanschlüsse

Audioanschlüsse	Kanal			
	2	4	6	8
Mitte-/ Subwoofer-Ausgang			●	●
Hinterer Lautsprecher		●	●	●
Line-In/ Seitliche Lautsprecher				●
Line-Out/ Vorderer Lautsprecher	●	●	●	●
Mic-In				

(●: Verbindet, **Blank**: Leer)

Realtek Audio Console

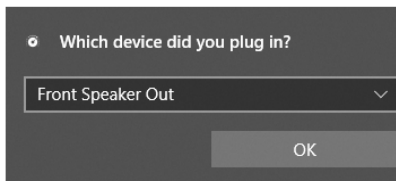
Nach der Installation des Realtek Audio Console-Treibers, können Sie die Audioeinstellungen verändern, um ein optimales Klangerlebnis zu erzeugen.



- **Geräteauswahl** - Ermöglicht die Auswahl der Audio-Ausgangs Quelle. Das aktuell aktivierte Gerät ist mit einem Haken gekennzeichnet.
- **Optimierungen** - Die Vielfalt an Optionen bietet eine komplette Anleitung von erwarteten Sound-Effekt für beide Ausgangs- und Eingangsrichtung.
- **Lautstärke** - Steuert die Lautstärke und die Balance-Einstellung der Lautsprecher, die im Front-Panel oder auf der Rückseite des PCs eingesteckt sind.
- **Erweiterte Einstellungen** - Ermöglicht die zeitgleiche Verwendung von zwei Audiostreams.
- **Verbindungsstatus** - Bildet die angeschlossenen Render- und Capture-Geräte ab.
- **Anschlüsse** - Konfiguriert die Anschlusseinstellungen.

Auto Popup-Dialog

Nach dem Anschluss eines Audio-Klinkensteckers erscheint ein Dialogfenster und fragt nach einer Bestätigung für das angeschlossene Gerät.

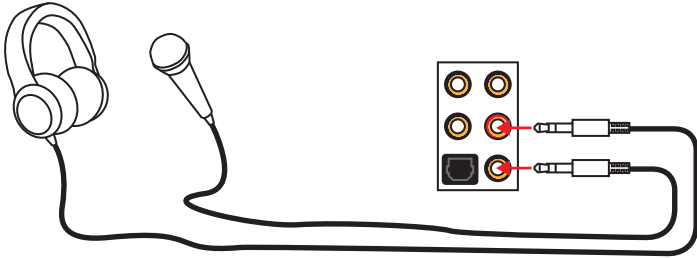


Jede Buchse entspricht diesem Wert der Grundeinstellung, wie es auf den nächsten Seiten gezeigt wird.

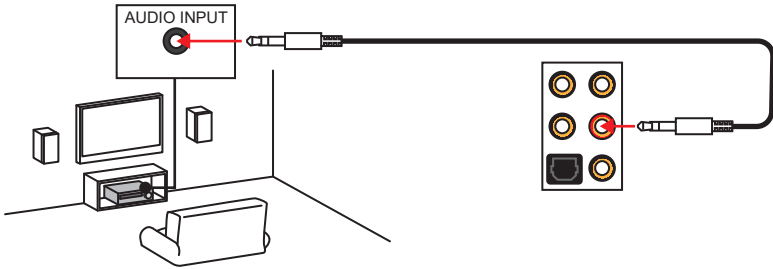


Die obige Bilder stellen lediglich Referenzen dar und können von dem von Ihnen erworbenen Produkt abweichen.

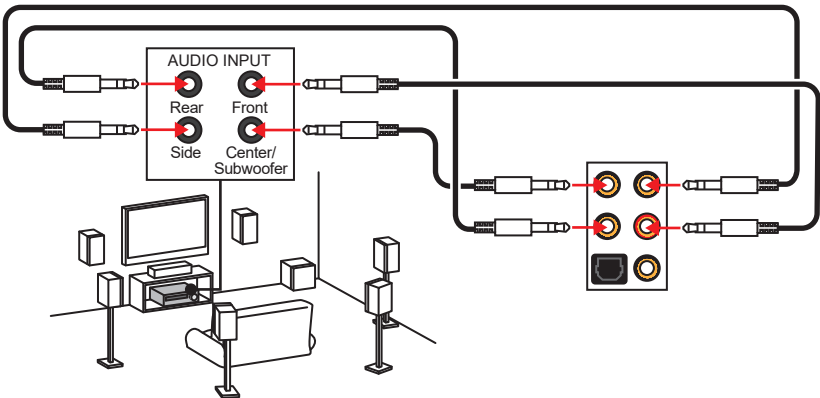
Audiobuchsen für den Anschluss von einem Kopfhörer und Mikrofon



Audiobuchsen für Stereo-Lautsprecher

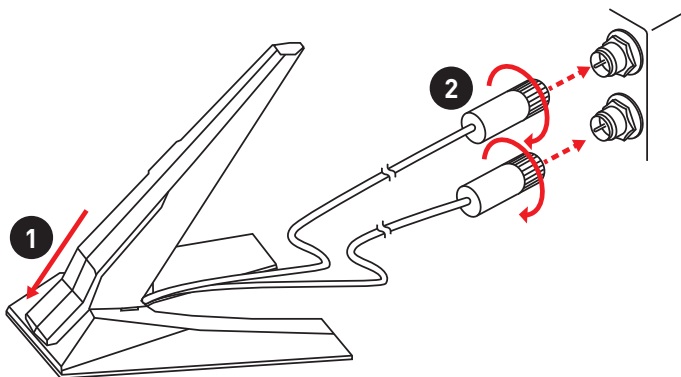


Audiobuchsen für 7.1 Kanal Anlage

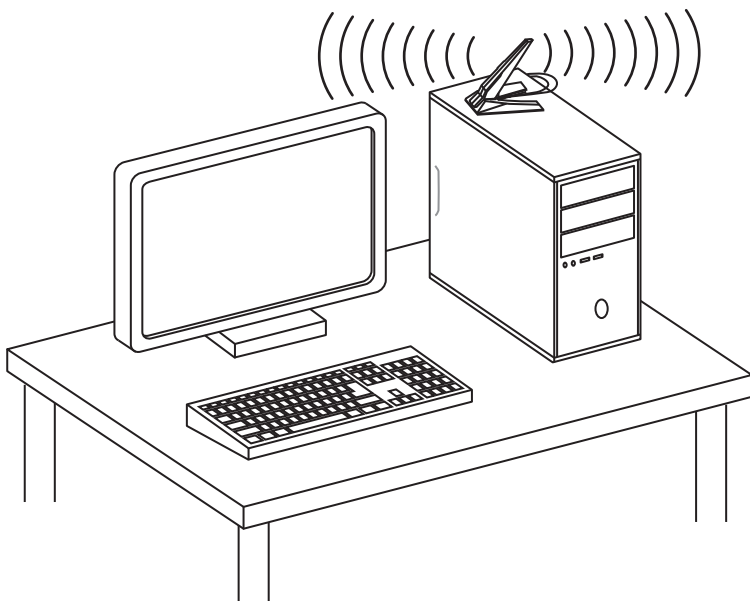


Antennen installieren

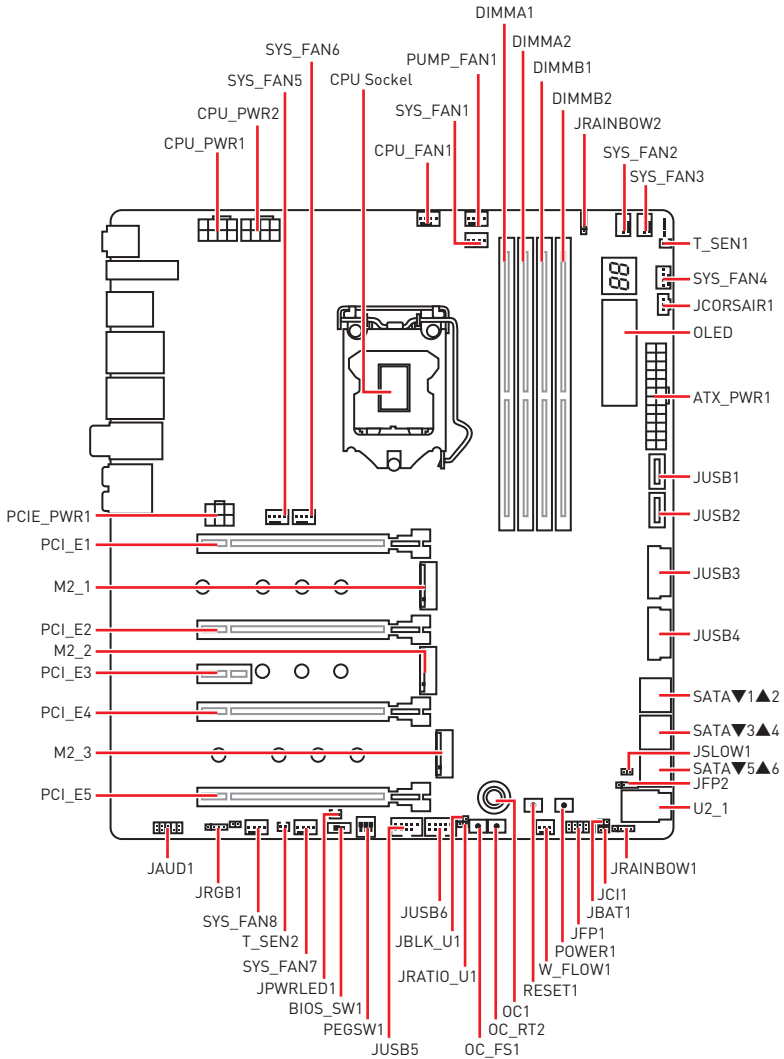
1. Verbinden Sie Antenne mit dem Antennenfuß.
2. Schrauben Sie, wie gezeigt, die Antennen fest an die Wi-Fi Antennenanschlüsse.



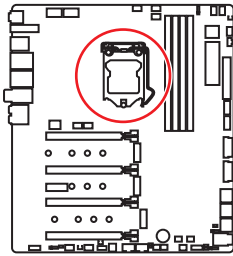
3. Positionieren Sie die Antennen so hoch wie möglich.



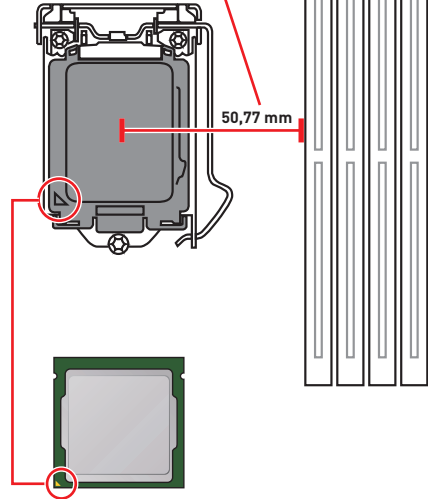
Übersicht der Komponenten



CPU Socket



Abstand zwischen der Mitte der CPU und dem nächsten DIMM-Steckplatz.



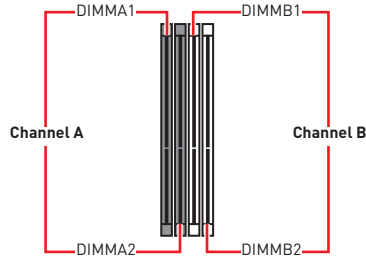
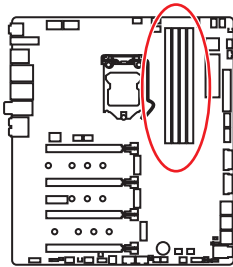
Erklärung zur LGA 1151 CPU

Die Oberseite der LGA 1151 CPU hat zwei **Justierungen** und ein **goldenes Dreieck** um die korrekte Ausrichtung der CPU auf dem Motherboard zu gewährleisten. Das goldene Dreieck des Prozessors definiert die Position des ersten Pins.

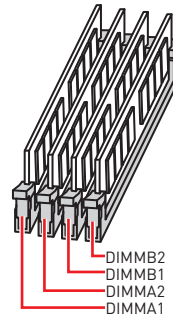
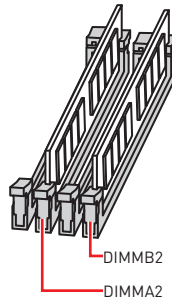
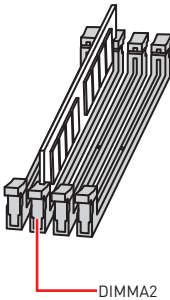
Wichtig

- Ziehen Sie das Netzkabel ab, bevor Sie die CPU ein- und ausbauen.
- Bitte bewahren Sie die CPU Schutzkappe nach der Installation des Prozessors auf. MSI wird RMA (Return Merchandise Authorization) Anfragen nur dann behandeln, wenn die Schutzklappe auf dem CPU-Sockel des Motherboards sitzt.
- Wenn Sie eine CPU einbauen, denken sie bitte daran, einen CPU-Kühler zu installieren. Ein CPU-Kühlkörper ist notwendig, um eine Überhitzung zu vermeiden und die Systemstabilität zu gewährleisten.
- Stellen Sie sicher, dass Ihr Kühlkörper eine feste Verbindung mit der CPU hergestellt hat, bevor Sie Ihr System starten.
- Überhitzung beschädigt die CPU und das System nachhaltig. Stellen Sie stets eine korrekte Funktionsweise des CPU Kühlers sicher, um die CPU vor Überhitzung zu schützen. Stellen Sie sicher, dass eine gleichmäßige Schicht thermischer Paste oder thermischen Tapes zwischen der CPU und dem Kühlkörper vorhanden ist, um die Wärmeableitung zu erhöhen.
- Schützen Sie den CPU-Sockel immer mit der Plastikabdeckung, wenn keine CPU installiert ist.
- Verwenden Sie bitte die Installationsanweisung des Kühlkörpers/Kühlers, falls Sie eine separate CPU oder einen Kühlkörper/ Kühler erworben haben.
- Dieses Motherboard wurde so entworfen, dass es Übertakten unterstützt. Stellen Sie jedoch bitte sicher, dass die betroffenen Komponenten mit den abweichenden Einstellungen während des Übertaktens zurecht kommen. Von jedem Versuch des Betriebes außerhalb der Produktspezifikationen kann nur abgeraten werden. MSI übernimmt keinerlei Garantie für die Schäden und Risiken, die aus einem unzulässigem Betrieb oder einem Betrieb außerhalb der Produktspezifikation resultieren.

DIMM-Steckplätze



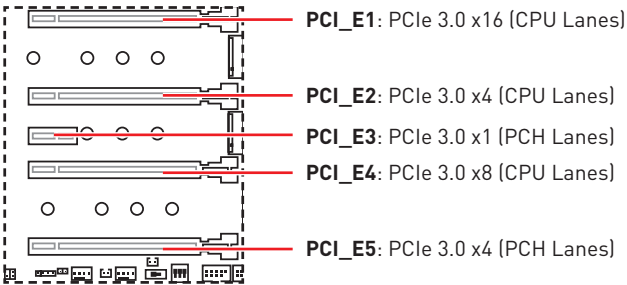
Speichermodul-Installationsempfehlung



Wichtig

- Um einen sicheren Systemstart zu gewährleisten, bestücken Sie immer **DIMMA2** zuerst.
- Aufgrund der Chipsatzressourcennutzung wird die verfügbare Kapazität des Speichers kleiner sein als die Größe der installierten Speicherkapazität.
- Basierend auf der Intel CPU Spezifikation wird eine Speicherspannung unter 1,35 Volt vorgeschlagen, um die CPU zu schützen.
- Bitte beachten Sie, dass die maximale Kapazität eines 32-Bit-Windows-Betriebssystem bei 4GB oder weniger liegt. Wenn Sie mehr als 4 GB Speicher auf dem Motherboard einbauen möchten, empfehlen wir deshalb, ein 64-Bit-Windows-Betriebssystem zu installieren.
- Einige Speicherriegel können beim Übertakten auf einer niedrigeren Frequenz arbeiten, als der festgelegte Wert - abhängig von dem SPD (Serial Presence Detect). Stellen Sie im BIOS-Setup mit **Memory Try It!** die Speicherfrequenz ein, wenn Sie mit der festgelegten oder einer höheren Speicherfrequenz arbeiten möchten.
- Es wird empfohlen, ein effizienteres Speicherkühlsystem bei einer Vollbestückung des DIMMs oder beim Übertakten zu verwenden.
- Die Stabilität und Kompatibilität beim Übertakten der installierten Speichermodule sind abhängig von der installierten CPU und den installierten Geräten.

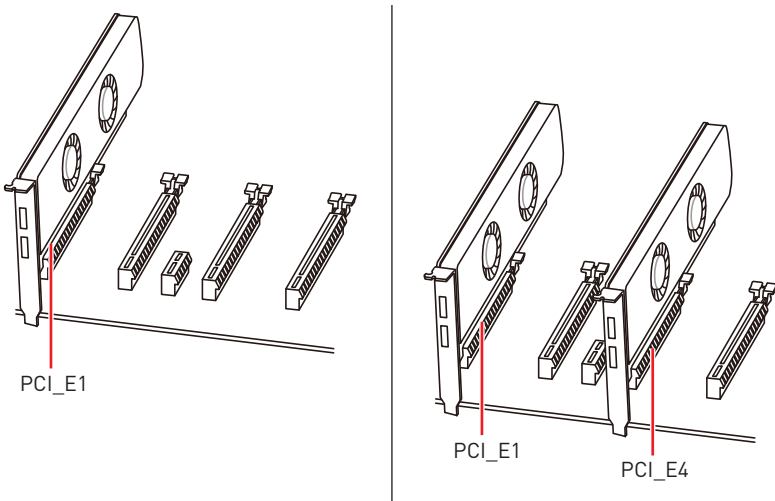
PCI_E1~5: PCIe Erweiterungssteckplätze

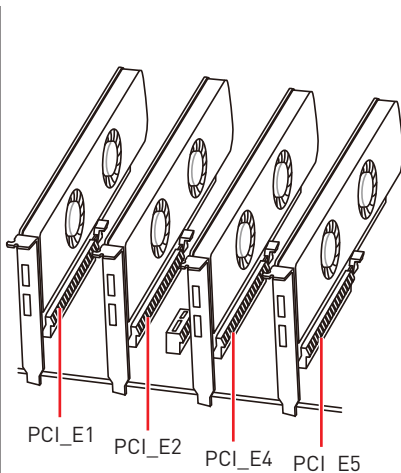
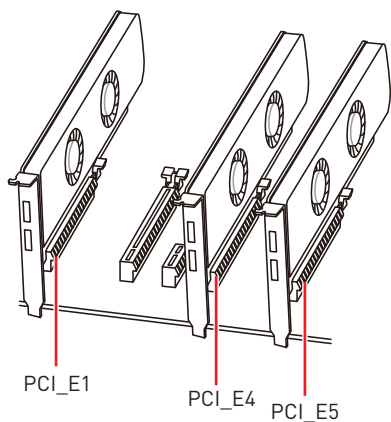


Mehrere Grafikkarten Einbauempfehlung

Grafikkarte	Einzel	2-Wege	3-Wege*	4-Wege*
PCI_E1	@ 3.0 x16	@ 3.0 x8	@ 3.0 x8	@ 3.0 x8
PCI_E2	Leer	Leer	Leer	@ 3.0 x4
PCI_E3	3.0 x1	3.0 x1	3.0 x1	3.0 x1
PCI_E4	Leer	@ 3.0 x8	@ 3.0 x8	@3.0 x4
PCI_E5	3.0 x4	3.0 x4	@ 3.0 x4	@3.0 x4

(@: Steckplatz für Grafikkarte, *: Nur CrossFire)



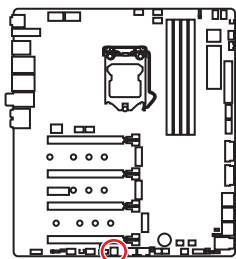


Wichtig

- Wenn Sie eine große und schwere Grafikkarte einbauen, benötigen Sie einen **Grafikkarten-Stabilisator (Graphics Card Bolster)** der das Gewicht trägt und eine Verformung des Steckplatzes vermeidet.
- Für die Installation einer einzelnen PCIe x16 Erweiterungskarte mit optimaler Leistung, empfehlen wir den **PCI_E1** Steckplatz zu verwenden.
- Achten Sie darauf, dass Sie den Strom abschalten und das Netzkabel aus der Steckdose herausziehen, bevor Sie eine Erweiterungskarte installieren oder entfernen. Lesen Sie bitte auch die Dokumentation der Erweiterungskarte, um notwendige zusätzliche Hardware oder Software-Änderungen zu überprüfen.
- Der **M2_3**-Steckplatz wird nicht zur Verfügung, wenn Sie ein PCIe Gerät im **PCI_E5**-Steckplatz installieren..

PEGSW1: PCIe CeaseFire Schalter

Mit dem PCIe CeaseFire Schalter können Sie die PCIe-Steckplätze (von den CPU Lanes) bequem und direkt aktivieren/ deaktivieren.



Steckplätze	EIN			EIN			EIN			EIN		
	1	2	3	1	2	3	1	2	3	1	2	3
PCI_E1	✓			✓			✓			—		
PCI_E2	✓			—			—			—		
PCI_E4	✓			✓			—			—		

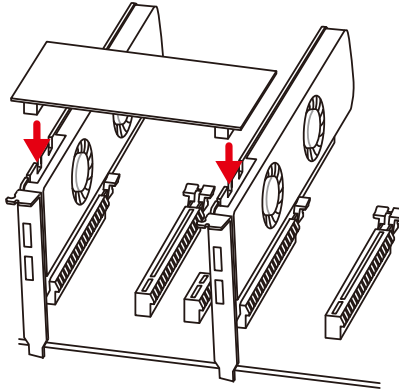
(✓: aktiviert, —: deaktiviert)

Einbau von SLI-Grafikkarten

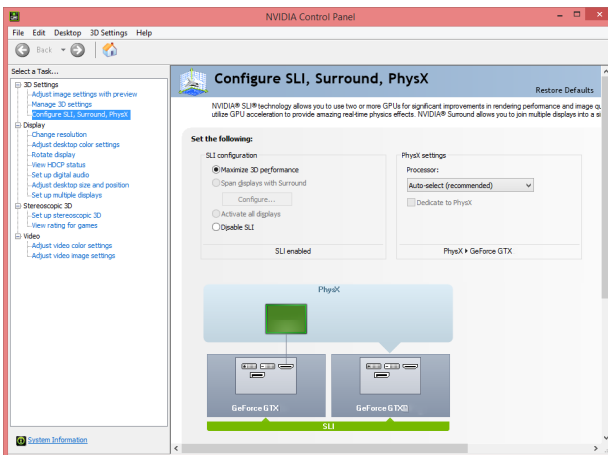
Stellen Sie eine ausreichende Stromversorgung für SLI-Konfigurationen sicher. Die notwendigen Informationen können Sie aus dem Handbuch Ihrer Grafikkarte entnehmen.

Installation der SLI-Grafikkarten:

1. Schalten Sie Ihren Computer aus und ziehen Sie die Kabel ab. Installieren Sie Ihre Grafikkarten im **PCI_E1** und **PCI_E4** Slot.
2. Verbinden Sie beide Karten mit einer **SLI-Brücke**.

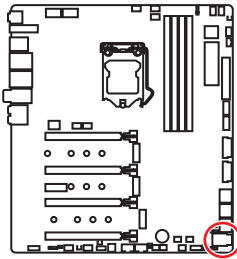


3. Verbinden Sie alle PCIe-Stromanschlüsse der Grafikkarten.
4. Schließen Sie das Netzkabel wieder an und schalten Sie den Computer ein. Installieren Sie die Treiber und die Software, die im Lieferumfang Ihrer Grafikkarten enthalten sind.
5. Klicken Sie in Ihrem Windows-Desktop auf die rechte Maustaste, und wählen Sie **NVIDIA Control Panel** aus dem Menü aus. Klicken Sie auf **Configure SLI, Surround, PhysX** im linken Task-Fensterbereich und wählen Sie **Maximize 3D performance** im SLI-Konfigurationsmenü aus, und klicken Sie dann auf **Anwenden (Apply)**.



U2_1: U.2 Anschluss

Dieser Anschluss ist ein U.2 Schnittstellenmodul. Pro Anschluss kann ein PCIe 3.0 x4 NVMe Speichergerät angeschlossen werden.

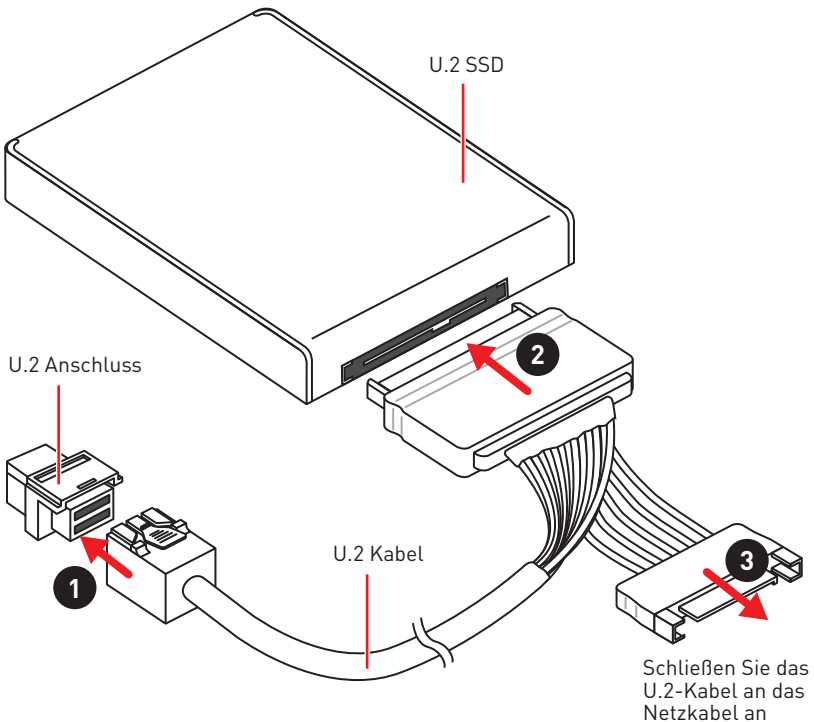


Video-Demonstration

Eine anschauliche Darstellung zur Installation einer U.2 SSD finden Sie im Video: <http://youtu.be/KgFvKDxymwv>

Installation einer U.2 SSD

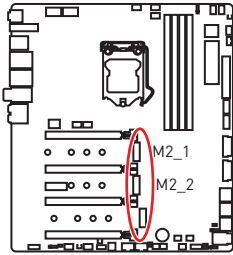
1. Schließen Sie das U.2-Kabel an die U.2-Steckverbindung des Motherboards an.
2. Schließen Sie das U.2-Kabel an der U.2 SSD an.
3. Schließen Sie das U.2-Kabel an das Netzkabel an.



Wichtig

Der M2_2-, SATA5- und SATA6-Anschluss werden nicht zur Verfügung, wenn Sie ein U.2 Gerät im U.2-Anschluss installieren.

M2_1~3: M.2 Steckplätze (Key M)

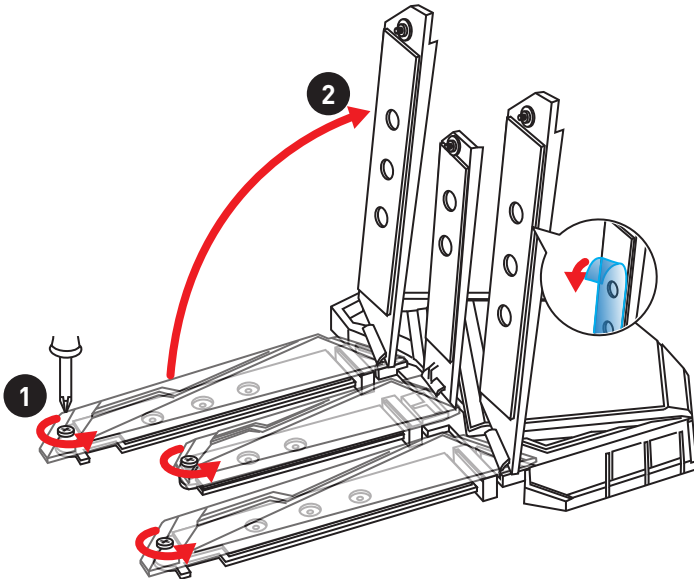


! Wichtig

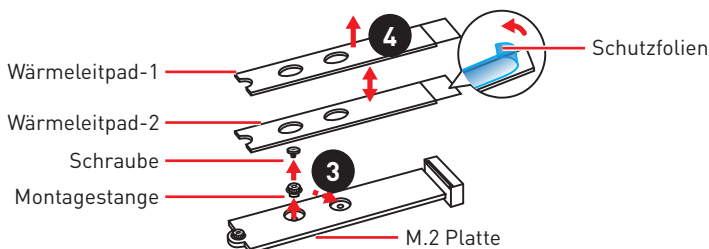
- Intel® RST unterstützt nur PCIe M.2 SSD mit UEFI ROM.
- Intel® Optane™ Technik unterstützt alle M.2 Steckplätze.

Installation eines M.2 Moduls

1. Lösen Sie die Schraube des M.2-SHIELD FROZR.
2. Heben Sie den M.2-SHIELD FROZR an und entfernen Sie die Schutzfolie von den Wärmeleitpads.

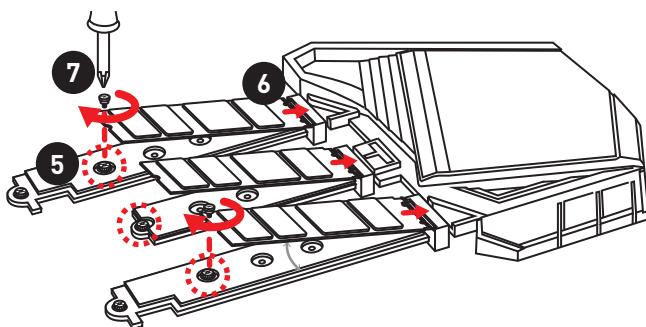


3. Jeder M.2-Steckplatz ist mit zwei Schrauben und Montagestangen ausgestattet, einer zur Befestigung des M.2 SHIELD FROZR-Kühlkörpers und der andere für die kürzere M.2-SSD. Zur Vermeidung von Schäden der M.2 SSD: Wenn die M.2-SSD dieselbe Länge wie der M.2-Steckplatz aufweist, entfernen Sie die Schraube und die Montagestange unter der M.2-SSD und belassen Sie nur die Schraube und Montagestange für die Sicherung des M.2 SHIELD FROZR Kühlkörpers.
4. Auf der M.2-Platte befinden sich zwei Wärmeleitpads. Das Wärmeleitpad 2 ist auf der M.2-Platine befestigt und sollte nicht entfernt werden. Bei beidseitigen M.2 SSDs entfernen Sie das Wärmeleitpad 1 und den Schutzfilm vollständig. Bei einseitiger M.2 SSD entfernen Sie zwei Schutzfolien des Wärmeleitpad-1. Kleben Sie dann das Wärmeleitpad 1 auf das Wärmeleitpad 2.

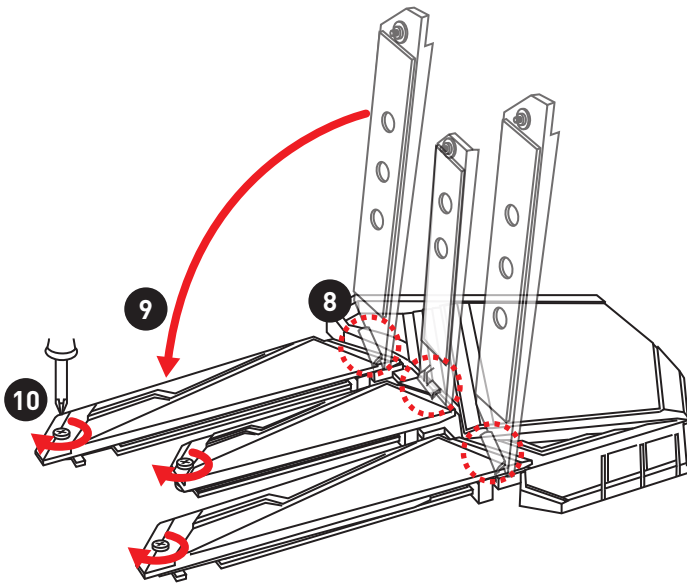


Alle hier dargestellten Bilder dienen nur der Veranschaulichung und können sich von den tatsächlichen Platten und Wärmeleitpads unterscheiden.

5. Wählen Sie die Montageposition entsprechend Ihrer M.2 SSD Länge.
6. Stecken Sie eine M.2-SSD im 30-Grad-Winkel in den M.2-Steckplatz.
7. Wenn die Länge der M.2 SSD kleiner als die Länge des M.2 SHIELD FROZR Kühlkörpers ist, setzen Sie die Schraube in die Aussparung an der Hinterkante des M2-Modul und schrauben Sie sie in den Schraubsockel.

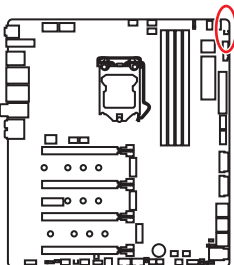


8. Setzen Sie den M.2-SHIELD FROZR Kühlkörper in die Nut ein.
9. Schieben Sie den M.2-SHIELD FROZR-Kühlkörper nach unten.
10. Schrauben Sie den M.2-SHIELD FROZR-Kühlkörper auf der Montagestelle fest.



Spannungsmesspunkte

Die Spannungsmesspunkte werden verwendet, um die aktuelle Systemspannung zu messen. Ein Multimeter (nicht enthalten) wird für die Spannungsmessung benötigt. Um die Spannung zu messen, halten Sie die Messleitungen auf GND (Montageloch für Schraube) und einen V-Messpunkt. Weitere Informationen finden Sie in der Bedienungsanleitung Ihres Multimeters.



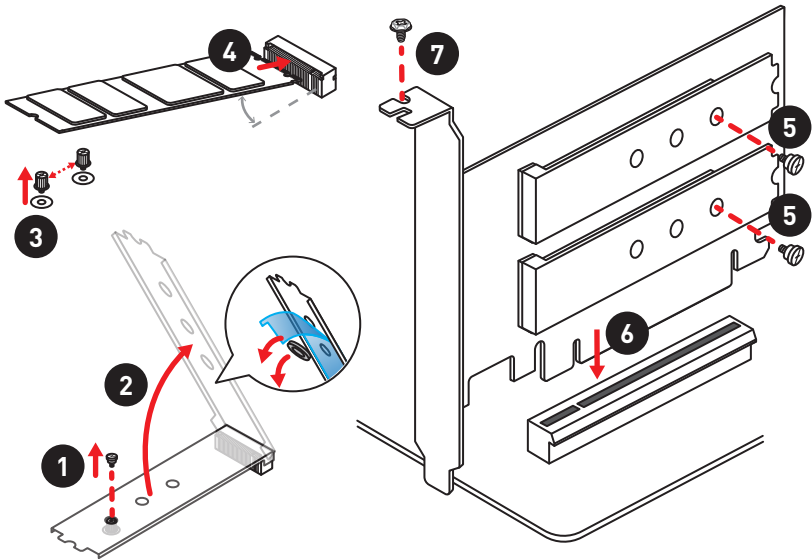
- GND
- CPU
- VCCIO
- VSA
- DRAM
- PCH

Installation der M.2 Xpander-Z Karte

Die M.2 Xpander-Z Karte bietet zwei M.2 Key-M Steckplätze.

Zum Einbau der M.2 Xpander-Z Karte:

1. Entfernen Sie die Schrauben der beiden M.2-Abdeckungen.
2. Heben Sie jeweils die M.2-Abdeckung an und entfernen Sie die Schutzfolie und den runden Gummi von den thermischen Klebepads.
3. Wählen Sie die Montageposition entsprechend Ihrer M.2 SSD Länge.
4. Stecken Sie die M.2 SSDs in einem 30 Grad-Winkel in die M.2- Steckplätze.
5. Drücken Sie die M.2 SSDs und die M.2-Abdeckungen nach unten und befestigen Sie sie mit den Schrauben an der Montageposition.
6. Stecken Sie die M.2 Xpander-Z Karte in den PCIe-Steckplatz. (PCI_E2 oder PCI_E4).
7. Befestigen Sie die M.2 Xpander-Z Karte mit Schraube am Gehäuse.

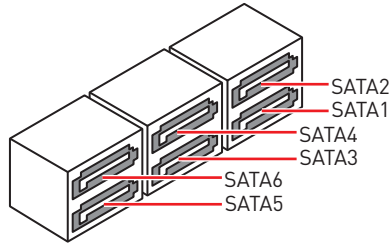
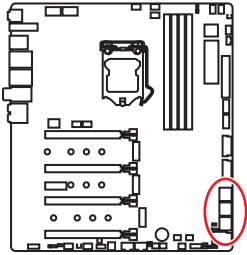


Wichtig

Wenn Sie die Xpander-Z-Karte im PCI_E2-Steckplatz installiert haben, ist PCI_E4 nicht verfügbar. Falls im PCI_E4-Steckplatz die Xpander-Z Karte installiert ist, ist PCI_E2 nicht verfügbar.

SATA1~6: SATA 6 Gb/s Anschlüsse

Dieser Anschluss basiert auf der Hochgeschwindigkeitsschnittstelle SATA 6 Gb/s. Pro Anschluss kann ein SATA Gerät angeschlossen werden.



! Wichtig

- Knicken Sie das SATA-Kabel nicht in einem 90° Winkel. Datenverlust könnte die Folge sein.
- SATA-Kabel haben identische Stecker an beiden Enden. Es wird empfohlen den flachen Stecker auf dem Motherboard einstecken.

Tabelle der M.2-, SATA- und U.2-Gerätekombination

Steckplatz	Kombination	
M2_1	PCIe	SATA
SATA1	✓	✓
SATA2	✓	—

U2_1	Leer			Installiert
M2_2	PCIe	SATA	Leer	—
SATA5	—	—	✓	—
SATA6	—	✓	✓	—

PCI_E5	Leer			Installiert
M2_3	PCIe	SATA	Leer	—
SATA3	✓	—	✓	✓

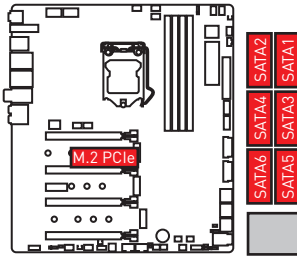
(**SATA**: M.2 SATA SSD, **PCIe**: M.2 PCIe SSD, ✓: Verfügbar, —: Nicht verfügbar)

! Wichtig

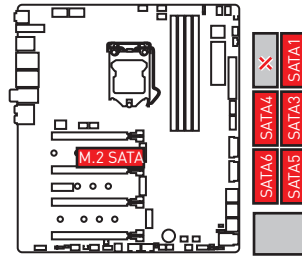
- Die M2_2, SATA5 und SATA6-Steckplätze werden nicht zur Verfügung, wenn Sie ein U.2 Gerät im U.2-Anschluss installieren.
- Der M2_3-Steckplatz wird nicht zur Verfügung, wenn Sie ein PCIe Gerät im PCI_E5-Steckplatz installieren.

M.2 Steckplätze mit Beispielen zu den verschiedenen Kombinationsmöglichkeiten

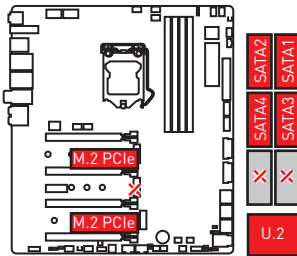
1xM.2 PCIe SSD + 6xSATA HDDs



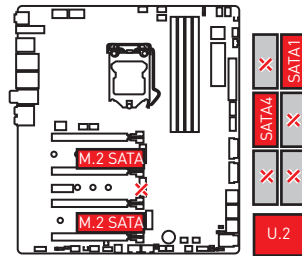
1xM.2 SATA SSD + 5xSATA HDDs



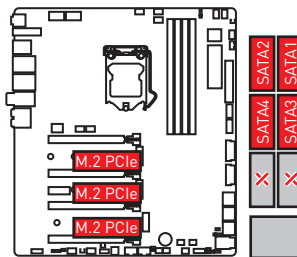
2xM.2 PCIe SSDs + 1x U.2 SSD+
4xSATA HDDs



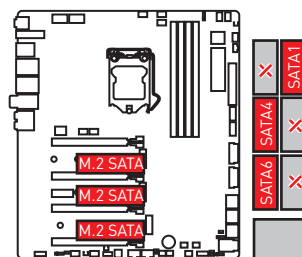
2xM.2 SATA SSDs + 1x U.2 SSD+
2xSATA HDDs



3xM.2 PCIe SSDs + 4xSATA HDDs

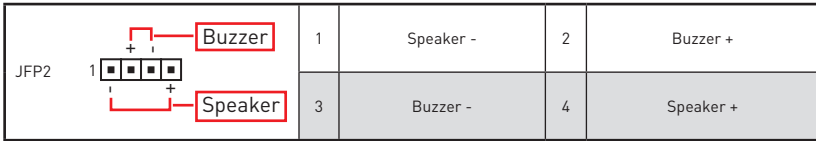
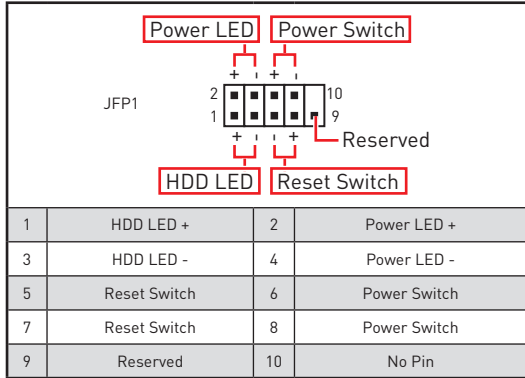
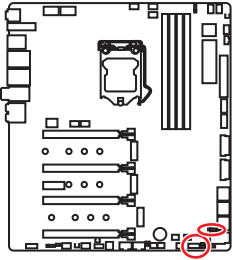


3xM.2 SATA SSDs + 3xSATA HDDs



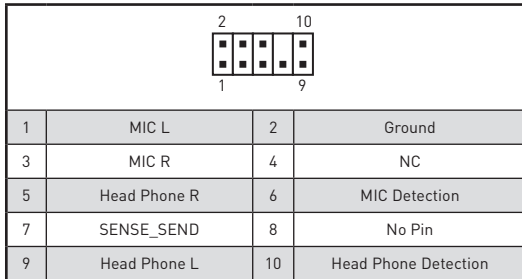
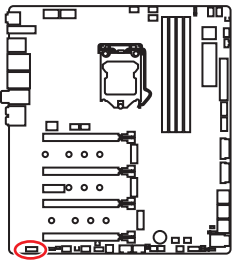
JFP1, JFP2: Frontpanel-Anschlüsse

Diese Anschlüsse verbinden die Schalter und LEDs des Frontpanels.



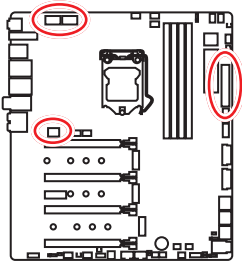
JAUD1: Audioanschluss des Frontpanels

Dieser Anschluss ermöglicht den Anschluss von Audiobuchsen eines Frontpanels.



CPU_PWR1~2, ATX_PWR1, PCIE_PWR1: Stromanschlüsse

Mit diesen Anschlüssen verbinden Sie die ATX Stromstecker.



CPU_PWR1/ CPU_PWR2			
1	Ground	5	+12V
2	Ground	6	+12V
3	Ground	7	+12V
4	Ground	8	+12V

ATX_PWR1			
1	+3.3V	13	+3.3V
2	+3.3V	14	-12V
3	Ground	15	Ground
4	+5V	16	PS-ON#
5	Ground	17	Ground
6	+5V	18	Ground
7	Ground	19	Ground
8	PWR OK	20	Res
9	5VSB	21	+5V
10	+12V	22	+5V
11	+12V	23	+5V
12	+3.3V	24	Ground

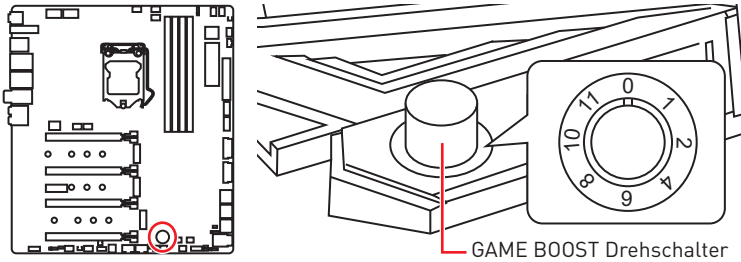
PCIE_PWR1			
1	+12V	4	Ground
2	+12V	5	Ground
3	+12V	6	Ground

Wichtig

Stellen Sie sicher, dass alle Anschlüsse mit den richtigen Anschlüssen des Netzteils verbunden sind, um einen stabilen Betrieb der Hauptplatine sicherzustellen.

OC1: GAME BOOST Drehschalter

Mit diesem Drehschalter können Sie eine Stufe von Number 0 (Standard) zu Number 11 (Extremwert) auswählen, um die Prozessoren zu übertakten. Die Spannung und Frequenz des CPUs wird dementsprechend automatisch angepasst, nachdem Sie Ihren Computer einschalten.



GAME BOOST Drehschalter verwenden

Zum Einrichten des GAME BOOST Drehschalters befolgen Sie folgende Schritte:

1. Stellen Sie den GAME BOOST Drehschalter auf Hardware-Modus im BIOS-Setup.
2. Schalten Sie den Computer aus.
3. Drehen Sie den GAME BOOST Drehschalter, um die benötigte Übertaktungsstufe auszuwählen.

Stufe	CPU Frequenz			
	i3-8350K	i5-8600K	i7-8700K	i7-8086K
0	GAME BOOST Deaktiviert	GAME BOOST Deaktiviert	GAME BOOST Deaktiviert	GAME BOOST Deaktiviert
1	4,1G	4,2~4,4 GHz	4,4~4,8 GHz	4,4~5,1 GHz
2	4,2G	4,3~4,5 GHz	4,5~4,9 GHz	4,5~5,2 GHz
4	4,3G	4,4~4,6 GHz	4,6~5,0 GHz	4,6~5,3 GHz
6	4,4G	4,5~4,7 GHz	4,7~5,1 GHz	4,7~5,4 GHz
8	4,5G	4,6~4,8 GHz	4,8~5,2 GHz	4,8~5,5 GHz
10	4,6G	4,7~4,9 GHz	4,9~5,3 GHz	4,9~5,6 GHz
11	4,7G	4,8~5,0 GHz	5,0~5,4 GHz	5,0~5,7 GHz

4. Schalten Sie den Computer ein und GAME BOOST übertaktet die CPU abhängig von der eingestellten Stufe.

GAME BOOST deaktivieren:

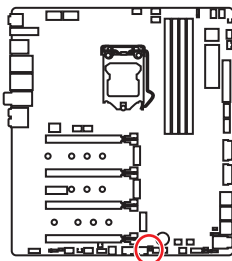
1. Stellen Sie den GAME BOOST Drehschalter auf HW-Modus im BIOS-Setup.
2. Schalten Sie den Computer aus.
3. Drehen Sie den GAME BOOST Drehschalter auf 0 und schalten Sie den PC ein. Die Konfigurationsparameter werden auf die Normalwerte zurückgesetzt.



- Bei der Aktivierung des GAME-BOOST-Modus wird empfohlen, eine CPU Wasserkühlung mit Dual-Fan-Radiator einzusetzen um eine bessere Kühlung und höhere Leistung zu gewährleisten.
- Sie können auch die GAME-Boost-Funktion im **BIOS Setup** oder mit der **MSI COMMAND CENTER**-Software steuern.
- Nach Aktivierung der GAME BOOST Funktion lassen Sie die Einstellungen im **BIOS > OC Menü** unverändert, um die Performance zu optimieren und die Stabilität des System zu verbessern.
- Der Erfolg der Übertaktung hängt von den Komponenten des Computers ab.
- MSI gibt keine Garantie auf den GAME BOOST Übertaktungsbereich und auf eventuelle Schäden, die durch eine Übertaktung entstehen können.
- MSI-Komponenten werden für eine bessere GAME BOOST Kompatibilität empfohlen.

JBLK_U1, JRATIO_U1: Basistakt Plus/ Ratio Plus Anschlüsse

Mit diesen Anschlüssen können Sie die externen Tasten anschließen. Drücken Sie die Taste, die mit JBLK_U1 verbunden ist, um die CPU-Basistaktfrequenz zu erhöhen, oder drücken Sie die Taste, die mit JRATIO_U1 verbunden ist, um das CPU-Verhältnis zu erhöhen.



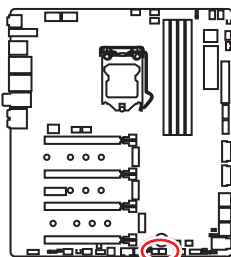
- JBLK_U1 (Schließen Sie die Steckbrücke kurz, um die CPU-Basistaktfrequenz zu erhöhen)
- JRATIO_U1 (Schließen Sie die Steckbrücke kurz, um das CPU-Verhältnis zu erhöhen)

OC_FS1: OC Force Enter BIOS Taste

Wenn Sie diese Taste drücken, wird das System in den BIOS gezwungen, ohne die OC_Fail- Meldung anzuzeigen.

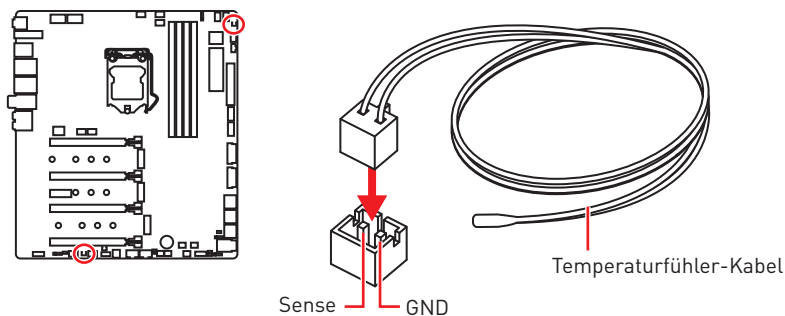
OC_RT2: OC Retry Taste

Wenn Sie die Taste drücken und halten, wird das System die OC-Elemente immer wieder ansprechen, bis es erfolgreich gebootet ist.



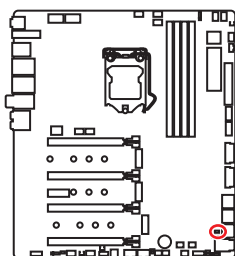
T_SEN1~2: Anschlüsse für einen Temperaturfühler

An diesen Anschlüsse können Sie ein Temperaturfühler-Kabel zur Überwachung der Temperatur eines gewählten Erfassungsbereichs anschließen.



JSLow1: Slow Mode Booting Steckbrücke

Die Steckbrücke wird für die LN2-Kühlungen verwendet. Der Slow Mode startet den Prozessor in einer stabilen Frequenz und verhindert dadurch einen Systemcrash.

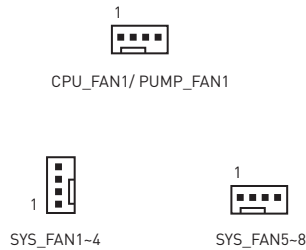
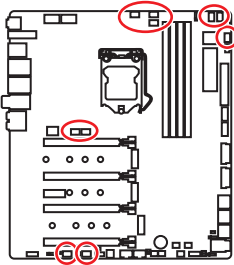


Wichtig

- Anwender übertakten bei extremer Kühlung auf eigenes Risiko. Die Übertaktungsergebnisse werden abhängig von der CPU-Variante variieren.
- Schalten Sie bitte nicht auf **Enabled** um, wenn das System ausgeschaltet ist, sonst lässt es sich nicht starten.

CPU_FAN1, PUMP_FAN1, SYS_FAN1~8: Stromanschlüsse für Lüfter

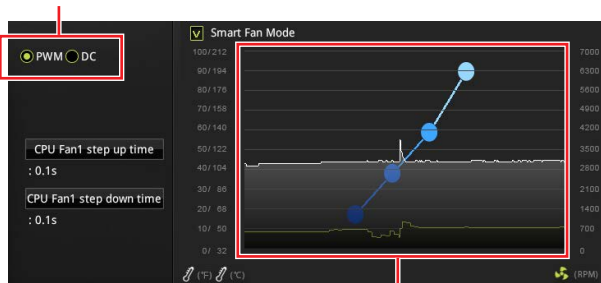
Diese Anschlüsse können im PWM (Pulse Width Modulation) Modus oder Spannungsmodus betrieben werden. Im PWM-Modus bieten die Lüfteranschlüsse konstante 12V Ausgang und regeln die Lüftergeschwindigkeit per Drehzahlsteuersignal. Im DC-Modus bestimmen die Lüfteranschlüsse die Lüftergeschwindigkeit durch Ändern der Spannung. Dieses Motherboard kann den PWM- und DC-Modus automatisch erfassen. Folgen Sie den folgenden Anweisungen, um den PWM- oder DC-Modus auszuwählen.



Umschalten des Lüfter-Modus und Anpassung der Lüfterdrehzahl

Sie können unter **BIOS > HARDWARE MONITOR** zwischen dem PWM- und DC-Modus umschalten und die Lüfterdrehzahl ändern.

Wählen Sie den **PWM-** oder **DC-**Modus aus



Die Gradientenpunkte des Lüfterverlaufs erlauben die Anpassung der Lüfterdrehzahl in Abhängigkeit von der CPU-Temperatur.



Wichtig

Überprüfen Sie die ordnungsgemäße Funktion der Lüfter nach dem Umschalten des PWM-/ DC-Modus.

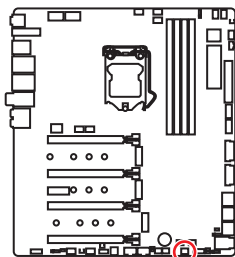
Pin-Belegung der Lüfteranschlüsse

Pin-Belegung des PWM-Modus			
1	Ground	2	+12V
3	Sense	4	Speed Control Signal

Pin-Belegung des DC-Modus			
1	Ground	2	Voltage Control
3	Sense	4	NC

W_FLOW1: Anschluss des Wasserdurchflusssensors

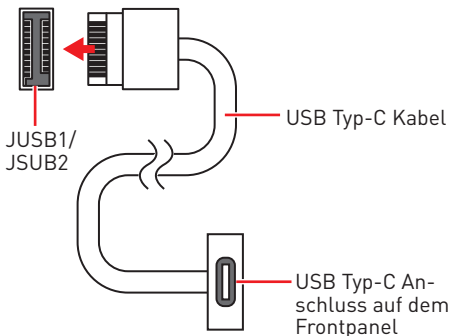
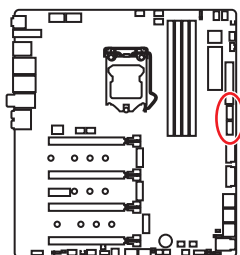
Mit diesem Anschluss können Sie einen Wasserdurchflusssensor anschließen, um den Kühlwasserdurchfluss Ihres Flüssigkeitskühlsystems zu überwachen.



1			
1	Ground	3	WFLOW IN
2	WFLOW PWR		

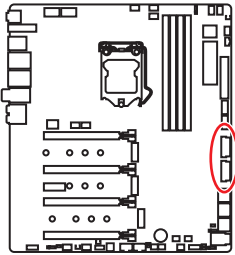
JUSB1~2: USB 3.1 Gen2 Typ-C Anschluss

Mit diesem Anschluss können Sie den USB 3.1 Gen2 Typ-C Anschluss auf dem Frontpanel verbinden. Der Anschluss verfügt über ein besonders sicheres Design. Wenn Sie das Kabel anschließen, müssen Sie es in der entsprechenden Ausrichtung verbinden.



JUSB3~4: USB 3.1 Gen1 Anschlüsse

Mit diesen Anschlüssen können Sie die USB 3.1 Gen1 Anschlüsse auf dem Frontpanel verbinden.



1	Power	11	USB2.0+
2	USB3_RX_DN	12	USB2.0-
3	USB3_RX_DP	13	Ground
4	Ground	14	USB3_TX_C_DP
5	USB3_TX_C_DN	15	USB3_TX_C_DN
6	USB3_TX_C_DP	16	Ground
7	Ground	17	USB3_RX_DP
8	USB2.0-	18	USB3_RX_DN
9	USB2.0+	19	Power
10	NC	20	No Pin

Wichtig

Bitte beachten Sie, dass Sie die mit „Stromführende Leitung“ und „Erdleitung“ bezeichneten Pins korrekt verbinden müssen, ansonsten kann es zu Schäden kommen.

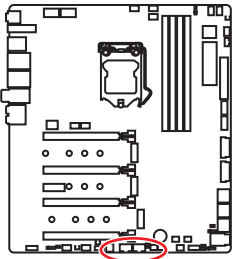
Ladegerätanschluss

Der **JUSB4** Anschluss ist ein Ladegerätanschluss, mit dem Sie die Ladegeschwindigkeit Ihres Smartphones oder anderen USB-betriebenen Geräten erhöhen. Der Ladegerätanschluss ist eine vom Mainboard-Chip gesteuerte Hardware, die auch im Ruhezustand, Standby- oder im ausgeschalteten Modus Geräte aufladen kann. Wenn Sie den Computer in Windows® starten, müssen Sie die MSI® DRAGON CENTER Anwendung installieren, um den Lademodus EIN/AUSZUSCHALTEN.

Wichtig

Wenn der Lademodus aktiviert ist, können Sie keine Daten über die Ladebuchse synchronisieren.

JUSB5~6: USB 2.0 Anschlüsse



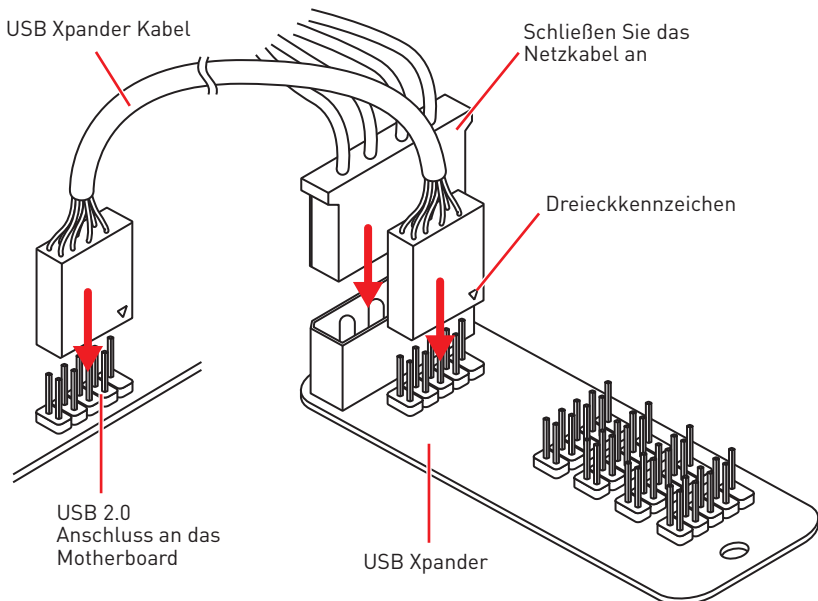
1	VCC	2	VCC
3	USB0-	4	USB1-
5	USB0+	6	USB1+
7	Ground	8	Ground
9	No Pin	10	NC

Wichtig

- Bitte beachten Sie, dass Sie die mit VCC (Stromführende Leitung) und Ground (Erdung) bezeichneten Pins korrekt verbinden müssen, ansonsten kann es zu Schäden kommen.
- Um ein iPad, iPhone und einen iPod über USB-Anschlüsse aufzuladen, installieren Sie bitte die MSI®DRAGON CENTER Software.

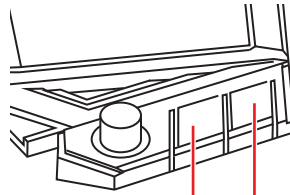
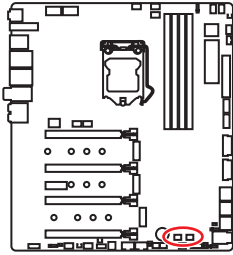
USB Xpander-Verbindung

USB Xpander kann einen einzelnen USB 2.0-Anschluss zu 4 Anschlüssen ausweiten. Verwenden Sie das USB-Xpander-Kabel, um die Erweiterungskarte und das Motherboard wie unten gezeigt anzuschließen.



POWER1, RESET1: Power-Taste, Reset-Taste

Mit dieser Power-Taste können Sie den Computer einschalten. Mit der Reset-Taste können Sie den Computer zurücksetzen.

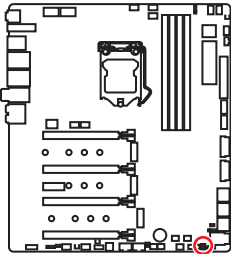


Reset Taste

Power Taste

JBAT1: Clear CMOS Steckbrücke (Reset BIOS)

Der Onboard CMOS Speicher (RAM) wird durch eine externe Spannungsversorgung durch eine Batterie auf dem Motherboard versorgt, um die Daten der Systemkonfiguration zu speichern. Wenn Sie die Systemkonfiguration löschen wollen, müssen Sie die Steckbrücke für kurze Zeit umsetzen.



Daten
beibehalten
(Standardwert)



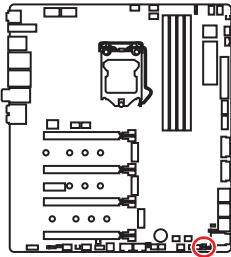
CMOS-Daten
löschen/ Reset
des BIOS

Rücksetzen des BIOS auf Standardwerte

1. Schalten Sie den Computer ab und ziehen Sie das Netzkabel ab.
2. Verwenden Sie eine Steckbrücke, um **JBAT1** für 5-10 Sekunden kurzzuschließen.
3. Entfernen Sie die Steckbrücke von **JBAT1**.
4. Stecken Sie das Kabel Ihres Computers in die Steckdose hinein und schalten Sie den Computer ein.

JCI1: Gehäusekontaktanschluss

Dieser Anschluss wird mit einem Kontaktschalter verbunden.



Normal
(Standardwert)



Löse den
Gehäuseeingriff aus

Gehäusekontakt-Detektor verwenden

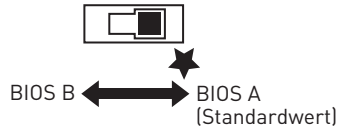
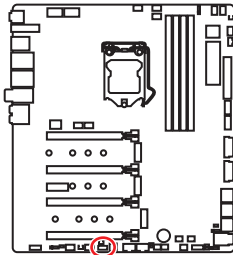
1. Schließen Sie den **JCI1**-Anschluss am Gehäusekontakt-Schalter/ Sensor am Gehäuse an.
2. Schließen Sie die Gehäuseabdeckung.
3. Gehen Sie zu **BIOS > SETTINGS > Security > Chassis Intrusion Configuration**.
4. Stellen Sie **Chassis Intrusion** auf **Enabled**.
5. Drücken Sie **F10** zum Speichern und Beenden und drücken Sie dann die **Enter**-Taste, um **Ja** auszuwählen.
6. Bei eingeschaltetem Computer wird eine Warnmeldung auf dem Bildschirm angezeigt, wenn die Gehäuseabdeckung wieder geöffnet wird.

Gehäusekontakt-Warnung zurücksetzen

1. Gehen Sie zu **BIOS > SETTINGS > Security > Chassis Intrusion Configuration**.
2. Stellen Sie **Chassis Intrusion** auf **Reset**.
3. Drücken Sie **F10** zum Speichern und Beenden und drücken Sie dann die **Enter**-Taste, um **Ja** auszuwählen.

BIOS_SW1: Multi-BIOS Schalter

Das Motherboard hat zwei eigebaute BIOS ROMs (bezeichnet als A und B, Standard ist BIOS ROM A). Falls ein BIOS abgestürzt ist, können Sie durch Verschieben des Schalters zum zweiten BIOS umschalten, um zu starten.



BIOS wiederherstellen

Wenn ein BIOS-Update fehlgeschlagen ist und das System nicht gestartet werden kann, können Sie die folgenden Schritte ausführen, um das BIOS wiederherzustellen. Vor Wiederherstellung laden Sie bitte die neueste BIOS-Version, die dem Motherboard-Modell entspricht, von der offiziellen MSI Website herunter. Und speichern Sie die BIOS-Datei im Root-Verzeichnis des USB-Flash-Speichers.

1. Schalten Sie den Computer aus.
2. Wechseln Sie in den normalen BIOS ROM mit dem **Multi-BIOS-Schalter**.
3. Schließen das USB-Flashlaufwerk an den Computer an.
4. Schalten Sie den Computer ein und drücken Sie während des POST-Vorgangs die Taste **Del (Entf)**, um das BIOS zu öffnen.
5. Gehen Sie zu **BIOS > M-FLASH** und klicken Sie auf **Yes (Ja)**, um das System neu zu starten. Rufen Sie den Flash-Modus auf.
6. Wählen Sie die BIOS-Datei zur Durchführung des BIOS-Aktualisierungsprozesses aus.
7. Setzen Sie den Schalter auf das ausgefallene BIOS mit dem **Multi-BIOS-Schalter** um und klicken Sie auf **Yes (Ja)**, um das BIOS wiederherzustellen.
8. Nachdem der BIOS-Wiederherstellungsprozess vollständig ist, startet das System automatisch neu.

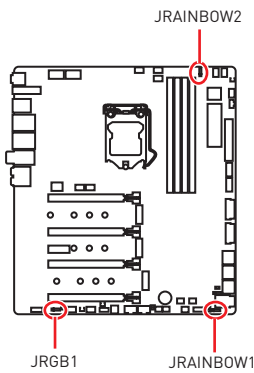


Wichtig

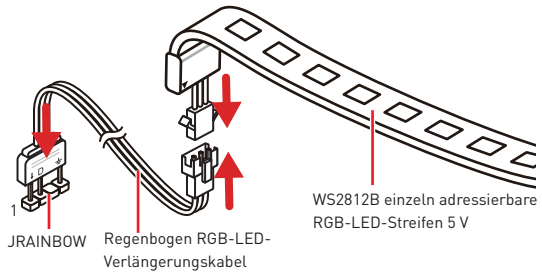
- Bitte schalten Sie den Multi-BIOS-Schalter nicht um, während das System im Betrieb ist.
- Sie können auch das **LIVE UPDATE** oder **BIOS FLASHBACK+** Utility verwenden, um das BIOS zu flashen. Für weitere Erläuterungen verweisen wir Sie auf den BIOS-Bereich dieses Handbuchs.

JRGB1, JRAINBOW1~2: RGB LED Anschlüsse

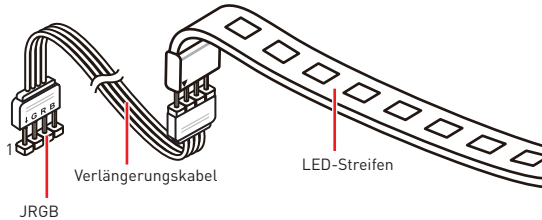
Mit dem JRGB Anschluss können Sie den 5050 RGB-LED-Streifen (12 V) anschließen. JRAINBOW ermöglicht den Anschluss von WS2812B einzeln adressierbaren RGB-LED-Streifen (5 V).



1				JRAINBOW1			
1	+5V	2	Data				
3	No Pin	4	Ground				



1				JRGB1			
1	+12V	2	G				
3	R	4	B				



! ACHTUNG

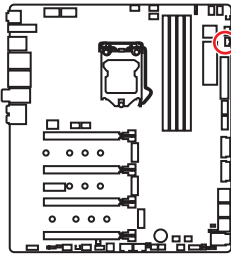
Schließen Sie nur passende LED-Streifen an. Der JRGB und der JRAINBOW-Anschluss verfügen über unterschiedliche Spannungen. Der Anschluss eines 5 V LED-Streifens an den JRGB-Anschluss führt zu einer Beschädigung des LED-Streifens.

! Wichtig

- Der JRGB1/JRGB2 Anschluss unterstützt bis zu 2 Metern 5050 RGB LED-Streifen (12V/G/R/B) in Lauflängen mit der maximalen Leistung von 3 A (12 V).
- Der JRAINBOW Anschluss unterstützt bis zu 72 LEDs WS2812B einzeln adressierbare RGB-LED-Streifen (5 V/ Daten/ Erdung) mit der maximalen Leistung von 3 A (5 V). Bei einer Helligkeit von 20 Prozent unterstützt dieser Anschluss bis zu 200 LEDs.
- Schalten Sie die Stromversorgung aus und ziehen Sie das Netzkabel ab, bevor Sie die RGB-LED-Streifen ein- und ausbauen.
- Bitte verwenden Sie die MSI-Software zur Steuerung des LED-Leuchtbereichs.

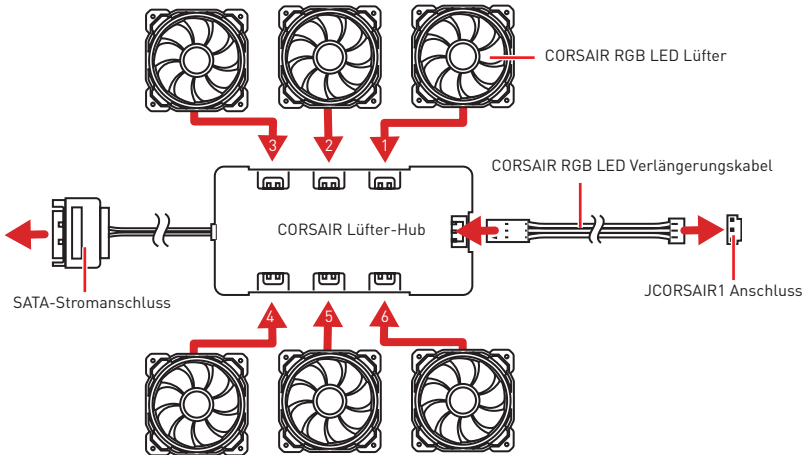
JCORSAIR1: CORSAIR Anschluss

Mit dem JCORSAIR1 Anschluss können Sie CORSAIR einzeln adressierbare RGB-LED-Strips (5 V) oder CORSAIR RGB LED Lüfter mit dem CORSAIR-Lüfter-Hub verbinden. Nach ordnungsgemäßem Anschluss können Sie die MSI-Software zur Steuerung der CORSAIR RGB LED-Streifen und Lüfter verwenden.

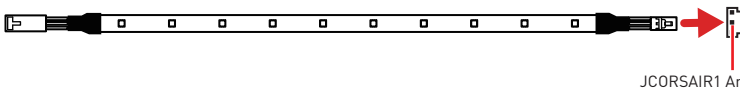


JCORSAIR1			
1	+5V	2	Data
3	Ground		

CORSAIR RGB LED Lüfteranschluss



CORSAIR Lighting Node PRO Streifen

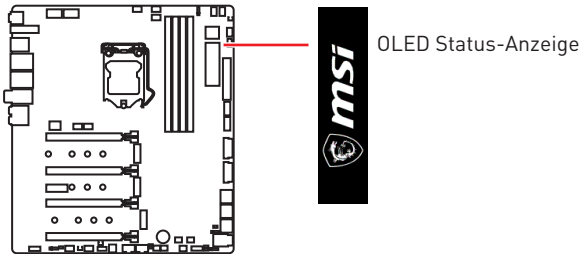


Wichtig

- Bitte verbinden Sie die Lüfter mit dem CORSAIR Lüfter-Hub in der Reihenfolge 1 > 2 > 3 > 4 > 5 > 6. Falls Sie den Lüfter in einer falschen Reihenfolge verbinden, wird die Kommunikation gestört und die RGB-LEDs funktionieren nicht.
- Die Anzahl der RGB-LED-Lüfter oder der RGB LED Lighting Node PRO Streifen kann je nach Modell unterschiedlich sein. Um mehr Informationen zu erfahren, lesen Sie bitte die Spezifikation des Motherboards.
- CORSAIR RGB LED Lüfter und CORSAIR Lighting Node PRO Streifen können nicht gleichzeitig genutzt werden.

OLED Status-Anzeige

OLED Status-Anzeige kann die Systeminformationen, die CPU-Temperatur, die CPU-Geschwindigkeit, den BIOS-Flash-Status und Fehlermeldungen anzeigen. Sie können die MSI-Software zum Konfigurieren und das OLED Status-Anzeige anpassen und und sogar eine GIF-Animationsdatei hochladen.



OLED Status-Anzeige Statustabelle

Systemstatus	OLED Status-Anzeige	Systemstatus	OLED Status-Anzeige
Eingeschaltet		Flashback BIOS (Aktualisierung)	
CPU wird nicht erkannt oder ist fehlerhaft		Flashback BIOS (Fertig)	
DRAM wird nicht erkannt oder ist fehlerhaft		Flashback BIOS (Fehler)	
GPU wird nicht erkannt oder ist fehlerhaft		Lüftergeschwindigkeit/ Temperatur/ Spannung	
Geben Sie das OS an		Game Boost	
S3 (Standby-modus)		CPU/ VGA/ Speicherinformationen	
S4/S5 (Ruhezustand/ Herunterfahren)		Benutzerprofil	

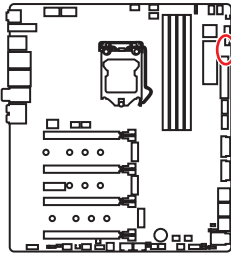


Weitere Informationen zur Konfiguration und Anpassung von OLED Status-Anzeige finden Sie auf der MSI-Website.

Onboard-LEDs

EZ Debug LED

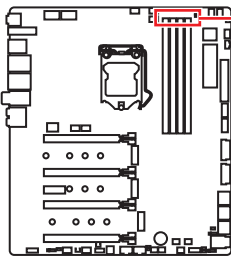
Diese LEDs zeigen den Debug-Status des Motherboards an.



- CPU** - CPU wird nicht erkannt oder ist fehlerhaft.
- DRAM** - DRAM wird nicht erkannt oder ist fehlerhaft.
- VGA** - GPU wird nicht erkannt oder ist fehlerhaft.
- BOOT** - Boot-Gerät wird nicht erkannt oder ist fehlerhaft.

DIMM LEDs

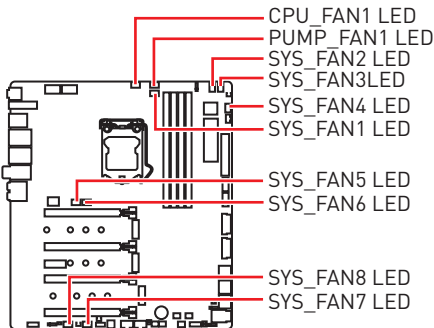
Diese LEDs zeigen an, dass die Speichermodule installiert sind.



DIMM LEDs

Lüfter LEDs

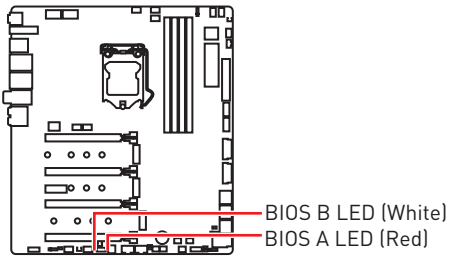
Die LEDs zeigen den Lüftersteuerungsmodus an.



LED-Farbe	Lüftersteuerungsmodus
Rot	PWM Modus
Weiß	DC Modus

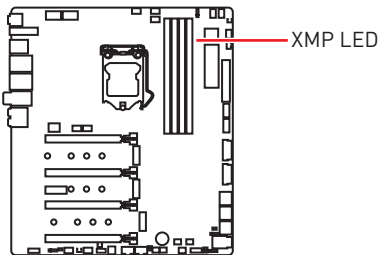
Multi-BIOS LEDs

Die Multi-BIOS LEDs zeigen an, welches BIOS-ROM in Betrieb ist.



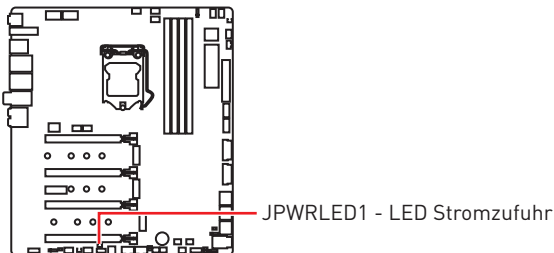
XMP LED

Diese LED zeigt an, der XMP (Extreme Memory Profile) Modus aktiviert ist.



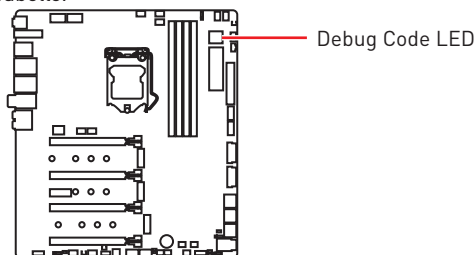
JPWRLED1: LED LED Stromzufuhr

Dieser Anschluss ermöglicht es dem Fachhändler die integrierten LED-Lichteffekte zu zeigen.



Debug-Code-LED

Die Debug-Code-LED-Anzeige zeigt den Fortschritt und das Fehlercode während und nach dem POST-Vorgang an. Einzelheiten entnehmen Sie bitte der Debug-Code LED-Tabelle.



Hexadezimalzeichen

Hexadezimal	0	1	2	3	4	5	6	7	8	9	A	B	C	D	E	F
Debug-Code LED-Anzeige	0	1	2	3	4	5	6	7	8	9	A	b	C	d	E	F

Boot-Phasen

Sicherheit (SEC) – Low-Level-Initialisierung beim Start

Pre-EFI-Initialisierung (PEI) – Speicher-Initialisierung

Ausführungsumgebung des Treibers (DXE) – Primäre Hardware-Initialisierung

Auswahl des Boot-Gerätes (BDS) – Systemeinstellungen, Pre-OS Benutzer-Interface & Auswahl eines Boot-Gerätes (CD/DVD, HDD, USB, Netzwerk, Gehäuse, ...)

Debug-Code-LED-Tabelle

SEC-Fortschritt-Codes

01	Computerstart. Reset Typ-Erkennung (Soft/Hard-Reset)
02	AP-Initialisierung vor dem Mikrocode-Ladevorgang
03	System-Agent-Initialisierung vor dem Mikrocode- Ladevorgang
04	PCH-Initialisierung vor dem Mikrocode- Ladevorgang
06	Mikrocode-Ladevorgang
07	Nach der Mikrocode-Ladung initialisiert die AP
08	AP-Initialisierung nach dem Mikrocode- Ladevorgang
09	PCH-Initialisierung nach dem Mikrocode- Ladevorgang
0B	Cache-Initialisierung

SEC-Fehler-Codes

0C - 0D	Reserviert für zukünftige AMI SEC Fehler-Codes
0E	Der Microcode wurde nicht gefunden
0F	Der Microcode wurde nicht geladen

PEI-Fortschritt-Codes

10	PEI-Kern wird gestartet
11	Pre-Memory CPU-Initialisierung wird gestartet
12 - 14	Pre-Memory CPU-Initialisierung (CPU-spezifisch)
15	Pre-Memory System-Agent-Initialisierung wird gestartet
16 - 18	Pre-Memory System-Agent-Initialisierung (System-Agent spezifisch)
19	Pre-Memory PCH- Initialisierung wird gestartet
1A - 1C	Pre-Memory PCH- Initialisierung (PCH-Modul spezifisch)
2B	Speicher-Initialisierung. Serial Presence Detect (SPD) liest die Daten aus
2C	Speicher-Initialisierung. Speicher -Erfassung
2D	Speicher-Initialisierung. Programmierung des Speicher-Timings
2E	Speicher-Initialisierung. Konfiguration des Speichers
2F	Speicher-Initialisierung (sonstige)
31	Speicher ist installiert
32	CPU Post-Memory-Initialisierung wird gestartet
33	CPU Post-Memory-Initialisierung. Cache-Initialisierung
34	CPU Post-Memory-Initialisierung. Application Processor (AP) Initialisierung
35	CPU Post-Memory-Initialisierung. Boot Strap Prozessorauswahl (BSP)
36	CPU Post-Memory-Initialisierung. System Management Mode (SMM) Initialisierung
37	Post-Memory System-Agent-Initialisierung wird gestartet
38 - 3A	Post-Speicher-System-Agent Initialisierung (System Agent spezifisch)
3B	Post-Memory PCH-Initialisierung wird gestartet
3C - 3E	Post-Memory PCH-Initialisierung (PCH-Modul spezifisch)
4F	DXE IPL wird gestartet

PEI-Fehler-Codes

50	Die Speicher-Initialisierung ist fehlgeschlagen. Ungültiger Speichertyp oder nicht kompatible Speichergeschwindigkeit
51	Die Speicher-Initialisierung ist fehlgeschlagen. Die SPD-Lesung ist fehlgeschlagen
52	Die Speicher-Initialisierung ist fehlgeschlagen. Ungültige Speichergröße oder nicht abgestimmte Speichermodule
53	Die Speicher-Initialisierung ist fehlgeschlagen. Kein nutzbarer Speicher erkannt
54	Unspezifizierte Speicher-Initialisierungsfehler

55	Speicher ist nicht installiert
56	Ungültiger CPU-Typ oder Geschwindigkeit
57	Inkompatibilität der CPU
58	Der CPU-Selbsttest ist fehlgeschlagen oder es liegt ein CPU-Cache-Fehler vor
59	CPU Micro-Code wurde nicht gefunden oder das Update des Micro-Codes ist fehlgeschlagen
5A	Fehler in interner CPU
5B	Reset-PPI ist nicht verfügbar
5C - 5F	Reserviert für zukünftige AMI-Fehlercodes

DXE-Fortschritt-Codes

60	DXE Core wird gestartet
61	NVRAM-Initialisierung
62	Installation des PCH Runtime Services
63	CPU DXE-Initialisierung wird gestartet
64 - 67	CPU DXE-Initialisierung (CPU modulspezifisch)
68	PCI Host Bridge Initialisierung
69	System Agent DXE Initialisierung wird gestartet
6A	System Agent DXE SMM Initialisierung wird gestartet
6B - 6F	System Agent DXE Initialisierung (modulspezifischer System Agent)
70	PCH DXE Initialisierung wird gestartet
71	PCH DXE SMM Initialisierung wird gestartet
72	PCH-Geräte Initialisierung
73 - 77	PCH DXE Initialisierung (PCH modulspezifisch)
78	ACPI Modul Initialisierung
79	CSM Initialisierung
7A - 7F	Reserviert für zukünftige AMI-DXE-Codes
90	Boot Device Selection (BDS) Phase wird gestartet
91	Treiber-Verbindung wird gestartet
92	PCI Bus Initialisierung wird gestartet
93	PCI Bus Hot Plug Controller Initialisierung
94	PCI Bus Enumeration 32
95	PCI Bus Request Resources
96	PCI Bus Assign Resources
97	Verbindung der Konsolen-Ausgangsgeräte
98	Verbindung der Konsolen-Eingangsgeräte
99	Super-IO-Initialisierung
9A	USB-Initialisierung wird gestartet
9B	USB-Rücksetzung

9C	USB-Erkennung
9D	USB-Aktivierung
9E -9F	Reserviert für zukünftige AMI-Codes
A0	IDE Initialisierung wird gestartet
A1	IDE-Rücksetzung
A2	IDE-Erkennung
A3	IDE-Aktivierung
A4	SCSI Initialisierung wird gestartet
A5	SCSI-Rücksetzung
A6	SCSI-Erkennung
A7	SCSI-Aktivierung
A8	Bereite Kennwortüberprüfung vor
A9	Beginn der Einstellung
AB	Warten auf Eingabe
AD	Bereit für Boot-Event
AE	Legacy Boot Event
AF	Beendet das Boot-Services-Event
B0	Laufzeit stellt virtuelle MAP Start-Adresse ein
B1	Laufzeit stellt virtuelle MAP End-Adresse ein
B2	Legacy Option ROM Initialisierung
B3	System-Rücksetzung
B4	USB Hot-Plug
B5	PCI-Bus Hot-Plug
B6	NVRAM aufräumen
B7	Setzt die Konfiguration zurück (setzt die NVRAM-Einstellungen zurück)
B8 - BF	Reserviert für zukünftige AMI-Codes

DXE-Fehler-Codes

D0	CPU-Initialisierungs-Fehler
D1	System-Agent-Initialisierungs-Fehler
D2	PCH-Initialisierungs-Fehler
D3	Einige der Architektur-Protokolle sind nicht verfügbar
D4	PCI-Ressourcenzuordnungsfehler. Keine ausreichenden Ressourcen verfügbar.
D5	Kein Platz für Legacy-Option-ROM
D6	Kein Konsolen-Ausgangsgerät gefunden
D7	Kein Konsolen-Eingangsgeräte gefunden
D8	Ungültiges Passwort
D9	Fehler beim Laden der Boot-Option (Load-Image gibt Fehler zurück)
DA	Boot Option ist fehlgeschlagen (Start-Image gibt Fehler zurück)

DB	Flash-Update ist fehlgeschlagen
DC	Das Reset-Protokoll steht nicht zur Verfügung

S3 Wiederaufnahme Fortschritt-Codess

E0	S3-Wiederaufnahmen wird gestartet (S3-Wiederaufnahmen-PPI wird von DXE IPL aufgerufen)
E1	Führt das S3-Boot-Skript aus
E2	Veröffentlicht Video neu
E3	OS S3 Ruhezustand
E4 - E7	Reserviert für zukünftige AMI-Fortschrittscodes

S3 Wiederaufnahme Fehler-Codes

E8	Das S3-Wiederaufnahmen ist fehlgeschlagen
E9	Das S3-Wiederaufnahmen PPI wurde nicht gefunden
EA	Boot-Skript-Fehler bei der S3-Wiederaufnahmen
EB	S3 OS Ruhezustand-Fehler
EC - EF	Reserviert für zukünftige AMI-Fehlercodes

Wiederherstellung Fortschritt-Codes

F0	Wiederherstellung ausgelöst durch die Firmware (Auto recovery)
F1	Wiederherstellung ausgelöst durch den Benutzer (Forced recovery)
F2	Der Wiederherstellungsprozess wurde gestartet
F3	Das Image der Wiederherstellung-Firmware wurde gefunden
F4	Das Image der Wiederherstellung-Firmware wurde geladen
F5 - F7	Reserviert für zukünftige AMI-Fortschrittscodes

Wiederherstellung Fehler-Codes

F8	Wiederherstellung-PPI ist nicht verfügbar
F9	Wiederherstellung-Kapsel ist nicht gefunden
FA	Ungültige Wiederherstellung-Kapsel
FB - FF	Reserviert für zukünftige AMI-Fehlercodes

ACPI Status-Codes

Nach dem Start erscheinen die folgende Codes und versetzen das Betriebssystem in den ACPI-Modus.

01	Das System geht in den Ruhezustand S1
02	Das System geht in den Ruhezustand S2
03	Das System geht in den Ruhezustand S3
04	Das System geht in den Ruhezustand S4
05	Das System geht in den Ruhezustand S5
10	Das System beendet den Ruhezustand S1
20	Das System beendet den Ruhezustand S2
30	Das System beendet den Ruhezustand S3
40	Das System beendet den Ruhezustand S4
AC	Das System hat auf den ACPI-Modus umgestellt. Interrupt-Controller ist im PIC-Modus.
AA	Das System hat auf den ACPI-Modus umgestellt. Interrupt-Controller ist im APIC-Modus.

CPU-Temperatur

00 - 99	Zeigt die aktuelle CPU Temperatur sobald das System vollständig in das OS geladen wurde.
---------	--

Installation von OS, Treibern und Utilities

Laden Sie die neuesten Treiber und Dienstprogramme von www.msi.com herunter und aktualisieren Sie sie.

Installation von Windows® 10

1. Schalten Sie den Computer ein.
2. Legen Sie die Windows® 10 Disk oder das USB-Flashlaufwerk in das optische Laufwerk.
3. Drücken Sie die Taste **Restart** auf dem Computergehäuse.
4. Drücken Sie die **F11**-Taste während des POST-Vorgangs (Power-On Self Test), um das Bootmenu zu öffnen.
5. Wählen Sie das optische Laufwerk aus dem Bootmenu.
6. Wenn eine entsprechende Meldung **Press any key to boot from CD or DVD...** angezeigt wird, drücken Sie eine beliebige Taste.
7. Folgen Sie den Anweisungen auf dem Bildschirm, um das Dienstprogramm „Windows® 10“ zu installieren.

Installation von Treibern

1. Starten Sie Ihren Computer mit Windows® 10.
2. Legen Sie die MSI® Treiber Disk in das optische Laufwerk.
3. Klicken Sie auf die Pop-up-Meldung **Wählen Sie eine Aktion für Wechseldatenträger aus**, und wählen Sie **DVDSetup.exe starten** aus, um den Installer zu öffnen. Wenn Sie die AutoPlay-Funktionen in der Windows-Systemsteuerung ausschalten, können Sie das Programm **DVDSetup.exe** im Hauptverzeichnis der MSI Treiber CD auch manuell ausführen.
4. Der Installer wird findet eine Liste aller benötigten Treiber auf der **Treiber/Software**-Registerkarte.
5. Klicken Sie auf **Install** in der rechten unteren Ecke des Fensters.
6. Die Treiber-Installation läuft. Wenn die Installation abgeschlossen ist, werden Sie dazu aufgefordert, den Computer neu zu starten.
7. Klicken Sie zum Beenden auf **OK**.
8. Starten Sie Ihren Computer neu.

Installation von Utilities

Bevor Sie Anwendungen installieren, müssen Sie die Treiber-Installation vollständig beendet haben.

1. Öffnen Sie den Installer wie beschrieben.
2. Klicken Sie auf **Utilities**.
3. Wählen Sie die Dienstprogramme, die installiert werden soll.
4. Klicken Sie die Taste **Install** in der rechten unteren Ecke des Fensters.
5. Die Utilities-Installation ist im Gange. Wenn die Installation abgeschlossen ist, werden Sie dazu aufgefordert, den Computer neu zu starten.
6. Klicken Sie zum Beenden auf **OK**.
7. Starten Sie Ihren Computer neu.

BIOS Setup

Die Standardeinstellungen bieten die optimale Leistung für die Systemstabilität unter Normalbedingungen. Sie sollten **immer die Standardeinstellungen behalten**, um mögliche Schäden des Systems oder Boot-Fehler zu vermeiden, außer Sie besitzen ausreichende BIOS Kenntnisse.



Wichtig

- *BIOS Funktionen werden für eine bessere Systemleistung kontinuierlich aktualisiert. Deswegen können die Beschreibungen leicht von der letzten Fassung des BIOS abweichen und sollten demnach nur als Anhaltspunkte dienen. Für eine Beschreibung der BIOS Funktionen rufen Sie die **HELP** Informationstafel aus.*
- *Die Bilder in diesem Kapitel stellen lediglich Referenzen dar und können von dem von Ihnen erworbenen Produkt abweichen.*

Öffnen des BIOS Setups

Befolgen Sie bitte die nachfolgende Schritte, um das BIOS Setup aufzurufen.

- Während des BOOT-Vorgangs drücken Sie die Taste **ENTF**, wenn die Meldung **Press DEL key to enter Setup Menu, F11 to enter Boot Menu** erscheint.
- Verwenden Sie die **MSI DRAGON CENTER** Anwendung. Klicken Sie die **G02BIOS**-Taste und drücken Sie **OK**. Das System startet neu und geht direkt ins BIOS.

Funktionstasten

- F1:** Allgemeine Hilfe
 - F2:** Hinzufügen/Entfernen eines Favoritenpunkts
 - F3:** Öffnen des Favoriten Menüs
 - F4:** Öffnen des Menüs CPU-Spezifikationen
 - F5:** Öffnen des Memory-Z Menüs
 - F6:** Laden der ursprünglichen Setup-Standardwerte
 - F7:** Wechselt zwischen dem Erweiterten-Modus und EZ-Modus
 - F8:** OC-Profil wird vom USB-Stick geladen
 - F9:** OC-Profil wird auf einem USB-Stick gespeichert
 - F10:** Speichern oder Zurücksetzen der Änderungen*
 - F12:** Macht einen Screenshot und speichert auf einen FAT/FAT32-USB-Laufwerk.
- Strg+F:** Öffnet die Suchseite

* Beim Drücken der F10 Taste wird das Fenster zum Speichern der Einstellungen angezeigt. Wählen Sie **Yes**, um die Wahl zu bestätigen, oder **No**, um die derzeitige Einstellung beizubehalten.

Reset des BIOS

Sie können die Werkseinstellung wieder herstellen, um bestimmte Probleme zu lösen. Es gibt verschiedene Möglichkeiten, um das BIOS zurückzusetzen:

- Öffnen Sie das BIOS und drücken Sie **F6**, um optimierten Einstellungen zu laden.
- Schließen Sie die **Clear CMOS Steckbrücke** an das Motherboard an.



Wichtig

Bitte lesen Sie für Informationen zum BIOS-Reset im Bereich „**Clear CMOS Steckbrücke**“ nach.

Aktualisierung des BIOS

Aktualisierung des BIOS mit dem M-FLASH-Programm

Vorbereitung:

Laden Sie bitte die neueste BIOS Version, die dem Motherboard-Modell entspricht, von der offiziellen MSI Website herunter und speichern Sie die BIOS-Datei auf USB-Flash-Laufwerk.

BIOS-Aktualisierungsschritte:

1. Schließen das USB-Flashlaufwerk mit der BIOS-Datei an den Computer.
2. Bitte folgen Sie den nachfolgenden Schritten, um in den Blitz-Modus zu schalten.
 - Beim Neustart drücken Sie während des POST-Vorgangs die Taste **Ctrl + F5** und klicken Sie auf **Yes (Ja)**, um das System neu zu starten.
 - Beim Neustart drücken Sie während des POST-Vorgangs die Taste **Del (Entf)** während des POST-Vorgangs die Taste. Klicken Sie die Taste **M-FLASH** und klicken Sie auf **Yes (Ja)**, um das System neu zu starten.
3. Wählen Sie die BIOS-Datei zur Durchführung des BIOS-Aktualisierungsprozesses aus.
4. Wenn Sie dazu aufgefordert werden, wechseln Sie zur Ziel-BIOS-ROM mit dem Multi-BIOS-Schalter und klicken Sie auf Ja, um die Wiederherstellung des BIOS zu starten.
5. Nachdem das Flashen des BIOS vollständig ist, startet das System automatisch neu.

Aktualisierung des BIOS mit MSI DRAGON CENTER

Vorbereitung:

Stellen Sie sicher, dass zuvor die LAN-Treiber installiert wurden und eine Internetverbindung eingerichtet ist.

BIOS-Aktualisierungsschritte:

1. Installieren und starten Sie „MSI DRAGON CENTER“.
2. Wählen Sie **BIOS Update** aus.
3. Klicken Sie auf die **Scan** Taste.
4. Klicken Sie auf dieses **Download**-Icon, um die neueste BIOS-Datei zu laden und zu installieren.

5. Klicken Sie auf **Next (Weiter)** und wählen Sie **In Windows Mode** aus. Und klicken dann auf **Next (Weiter)** und **Start (Starten)**, um das BIOS-Update zu starten.
6. Nachdem das Flashen des BIOS vollständig ist, startet das System automatisch neu.

Aktualisierung des BIOS mit BIOS FLASHBACK+

Vorbereitung:

Laden Sie bitte die neueste BIOS Version, die das Modell des Motherboards entspricht, von der offiziellen MSI Website und benennen die BIOS-Datei im **MSI.ROM** um. Und speichern Sie die **MSI.ROM**-Datei im Root-Verzeichnis des USB-Flash-Speichers.



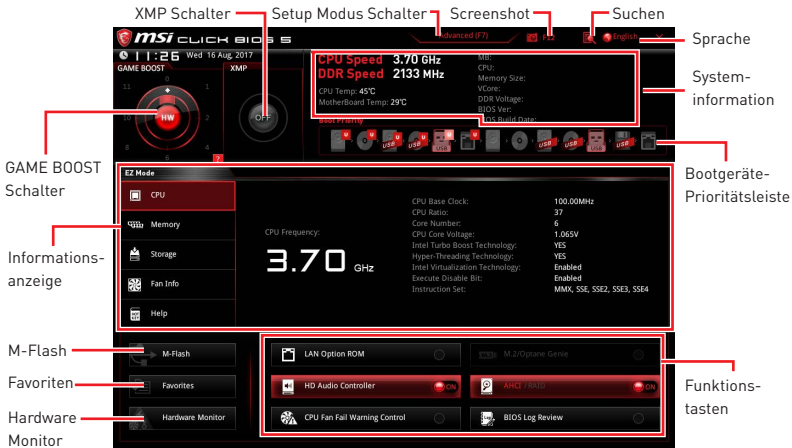
Wichtig

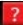
*Nur USB-Flashlaufwerke im FAT32-Format unterstützen einen BIOS-Update per **BIOS FLASHBACK+**.*

1. Verbinden Sie die Stromversorgung an dem **CPU_PWR1-** und **ATX_PWR1-**Stecker. (Die Stromversorgung ist erforderlich.)
2. Stecken Sie das USB-Flashlaufwerk, das die MSI.ROM-Datei enthält, in dem Anschluss des **BIOS FLASHBACK+** auf der Rückseite E/A des Panels ein.
3. Drücken Sie die Taste "**BIOS FLASHBACK+**", um das BIOS zu flashen, nun beginnt die BIOS FLASHBACK+ LED zu blinken.
4. Nachdem das Flashen des BIOS vollständig ist, erlischt die Taste LED.

EZ Modus

Im EZ-Modus können Sie die Grundinformationen des Systems einsehen und grundlegende Einstellungen konfigurieren. Um sich die erweiterten BIOS-Einstellungen anzeigen zu lassen, aktivieren Sie bitte den Erweiterten Modus durch Drücken des **Setup Modus Schalter** oder der Funktionstaste **F7**.



• **GAME BOOST Schalter** - Klicken Sie auf die mittlere Taste, um die **GAME BOOST** Steuerung zwischen **Software (SW)** und **Hardware (HW)** zu wechseln. Der innere Kreis zeigt den Zustand des Hardware **GAME BOOST** und der äußere Kreis den des Software **GAME BOOST** an. Sie können die Funktion des **GAME BOOST** nachlesen, wenn Sie auf das Fragezeichen  in der rechten unteren Ecke lesen.

Wichtig

Bitte ändern Sie keine Werte im OC Menü und laden Sie keine Standardwerte während **GAME BOOST** aktiviert ist, um die optimale Leistung und Stabilität des Systems zu gewährleisten.

• **XMP Schalter** - Klicken Sie auf den inneren Kreis, um X.M.P. (Extreme Memory Profile) zu aktivieren/deaktivieren. Drehen Sie den äußeren Kreis, um ein X.M.P. Profil zu wählen. Dieser Schalter steht nur zur Verfügung, wenn die installierten Speichermodule die X.M.P. Technik unterstützen.

• **Setup Modus Schalter** - Mit dieser Registerkarte oder der **F7**-Taste können Sie zwischen dem Erweiterten-Modus und EZ-Modus wechseln.

• **Screenshot** - Wählen Sie diese Registerkarte oder betätigen Sie die **F12**-Taste, um einen Screenshot zu machen und auf einen FAT/FAT32-USB-Laufwerk zu speichern.

• **Suchen** - Klicken Sie auf diese Registerkarte oder die **Strg+F** Taste um die Suchseite anzuzeigen. Mit der Funktion können Sie nach dem BIOS-Elementnamen suchen. Geben Sie bitte den Namen zum Auffinden einer Punkteliste ein. Bewegen Sie den Mauszeiger über einen freien Bereich und klicken Sie mit der rechten Maustaste, um die Suchseite zu schließen.

Wichtig

Auf der Suchseite stehen nur die **F6**-, **F10**- und **F12**-Funktionstasten zur Verfügung.

• **Sprache** - Hier können Sie die Sprache der BIOS-Einstellungen auswählen.

• **Systeminformationen** - Diese zeigt CPU/ DDR-Frequenz, CPU/ MB-Temperatur, MB/ CPU-Typ, Speicherkapazität, CPU/ DDR-Spannung, BIOS-Version und Erstellungs-Datum.

• **Boot-Geräte Prioritätsleiste** - Sie können die Gerätesymbole verschieben, um die Startreihenfolge zu ändern. Die Bootreihenfolge sind mit "hoch" (links) bis "niedrig" (rechts) bezeichnet.

• **Informationsanzeige** - Klicken Sie auf die Schaltfläche **CPU, Memory, Storage, Fan Info** und **Help** auf der linken Seite, um die jeweiligen Informationen anzuzeigen.

• **Funktionstasten** - Aktivieren oder deaktivieren Sie **LAN Option ROM, M.2/ Optane Genie, HD Audio Controller, AHCI, RAID, CPU Fan Fail Warning Control** und **BIOS Log Review** durch Anklicken der zugehörigen Schaltfläche.

• **M-Flash** - Ein Klick auf diese Schaltfläche zeigt das **M-Flash**-Menü an, mit dem Sie das BIOS mit einem USB-Flash-Laufwerk aktualisieren können.

• **Hardware Monitor** - Ein Klick auf diese Schaltfläche öffnet das Menü des **Hardware Monitor** mit dem Sie die Lüfterdrehzahl in Prozent manuell steuern.

• **Favoriten** - Drücken Sie die Registerkarte **Favoriten** oder die **F3**-Taste, um das **Favoriten**-Menü aufzurufen. Hier können Sie Ihre persönliches BIOS-Menü erstellen, in dem Sie die häufig verwendeten oder favorisierten BIOS-Einstellungsoptionen auswählen können.

▪ **Default HomePage** - Über diese Option können Sie ein BIOS-Menü (zum Beispiel: Einstellungen, Übertaktung, usw.) als BIOS Homepage auswählen.

▪ **Favorite 1~5** - Hier können Sie die häufig erwendeten oder favorisierten BIOS-Einstellungsoptionen auf einer Seite hinzufügen.

▪ **Um ein BIOS-Punkte zu einer Favoritenseite hinzufügen (Lieblingseinstellung 1~5)**

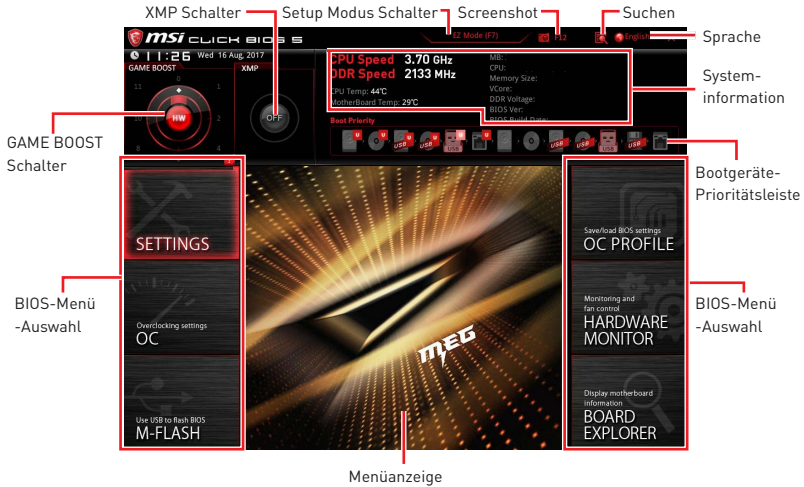
1. Sie können die Maus nicht nur über einen Eintrag im BIOS-Menü sondern auch auf der Suchseite bewegen.
2. Klicken Sie mit der rechten Maustaste oder drücken Sie die Taste **F2**.
3. Wählen Sie die gewünschte Seite aus und klicken Sie auf **OK**.

▪ **Um ein BIOS-Punkte von Favoritenseite zu löschen**

1. Bewegen Sie die Maus über einen BIOS-Eintrag auf einer Favoritenseite (Favoriten 1~5)
2. Klicken Sie mit der rechten Maustaste oder drücken Sie die Taste **F2**.
3. Wählen Sie **Delete** aus und klicken Sie auf **OK**.

Erweiterter Modus

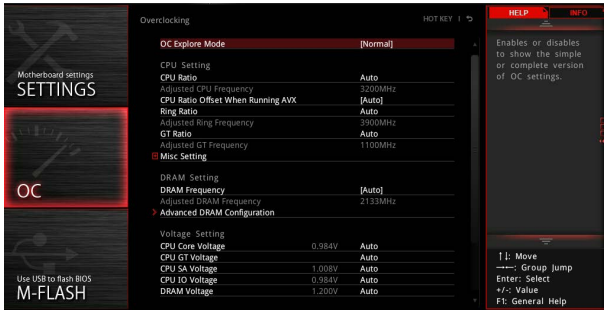
Drücken Sie den **Setup Modus Schalter** oder die Funktionstaste **F7**, um zwischen dem EZ-Modus und Erweiterten-Modus im BIOS-Setup zu wechseln.



- **GAME BOOST Schalter/ XMP Schalter/ Setup Modus Schalter/ Screenshot/ Sprache/ Suchen/ Systeminformation/ Boot-Geräte Prioritätsleiste** - Finden Sie die Informationen in den Beschreibungen der EZ Modus-Abschnitt.
- **BIOS-Menü-Auswahl** - Die folgenden Optionen stehen zur Verfügung.
 - **SETTINGS** - Mit diesem Menü können Sie die Parameter für Chipsatz, Boot-Geräte angeben.
 - **OC** - Hier können Sie die Frequenz und Spannung anpassen. Die Erhöhung der Frequenz kann eine bessere Leistung erreichen.
 - **M-FLASH** - M-Flash erlaubt es, das BIOS mit einem USB-Flash-Laufwerk zu aktualisieren.
 - **OC PROFILE** - In diesem Menü werden die verschiedenen Overclocking-Profile gespeichert.
 - **HARDWARE MONITOR** - Hier können Sie die Geschwindigkeiten der Lüfter anpassen und die Spannungen des Systems überwachen.
 - **BOARD EXPLORER** - Zeigt Ihnen Informationen über Geräte an, die an das Mainboard angeschlossen sind.
- **Menüanzeige** - Dieser Bereich ermöglicht die Konfiguration von BIOS Einstellungen.

OC Menü

In diesem Menü können Benutzer das BIOS anpassen und das Mainboard übertakten. Bitte führen Sie nur Änderungen durch, wenn Sie sich über das Ergebnis im Klaren sind. Sie sollten Erfahrung beim Übertakten haben, da Sie sonst das Motherboard oder Komponenten des Systems beschädigen können.



Wichtig

- Die Übertaktung ist nur für fortgeschrittene Benutzer zu empfehlen.
- Eine erfolgreiche Übertaktung ist nicht gewährleistet. Die Anwendung von Übertaktungsmaßnahmen kann zu Verlust der Garantie oder zur Beschädigung der Hardware führen.
- Falls Sie sich mit der Übertaktung nicht auskennen, empfehlen wir für einfaches Übertakten die **GAME BOOST** Funktion.

► OC Explore Mode [Expert]

Aktivieren oder deaktivieren Sie die Funktion, um die normale oder Expertenversion des OC-Einstellungen anzuzeigen.

[Normal] Bietet normale Übertaktungseinstellungen im BIOS-Setup.

[Expert] Bietet die erweiterten Übertaktungseinstellungen für den erfahrenen Benutzer, welche die Einstellungen im BIOS-Setup konfigurieren wollen.

Hinweis: Wir verwenden * als Symbol für die Übertaktungseinstellungen des Erweiterten Modus.

► CPU Ratio Apply Mode [All Core]*

Legt den Modus für den angepassten CPU-Multiplikator fest. Diese Option erscheint nur, wenn eine CPU installiert ist, die die Funktion **Turbo Boost** unterstützt.

[All Core /Alle Kerne] Aktiviert die Option **CPU Ratio**. Alle CPU-Kerne können mit der gleichen CPU Taktrate betrieben werden, die in **CPU Ratio** festgesetzt wurde.

[Per Core /Pro Kern] Aktiviert die **Core X X of X xxxx MHz**. Legt die CPU Taktrate für jeden Kern separat fest.

[Turbo Ratio] Aktiviert die **X-Core Ratio Limit**. Diese Option wird angezeigt, wenn die installierte CPU diese Funktion unterstützt.

► X-Core Ratio Limit [Auto]*

Hier können Sie die CPU Taktraten der verschiedenen aktiven Kerne anpassen. Diese Option kann nur geändert werden, wenn **CPU Ratio Apply Mode** auf **Turbo Ratio** eingestellt.

► Adjusted CPU Frequency

Zeigt die eingestellte Frequenz der CPU an. Es handelt sich um eine Anzeige – Änderungen sind nicht möglich.

► Core X X of X xxxx MHz [Auto]*

Hier können Sie die CPU Taktraten der verschiedenen aktiven Kerne anpassen. Diese Optionen kann nur geändert werden, wenn **CPU Ratio Apply Mode** auf **Per Core** eingestellt.

► CPU Ratio Offset When Running AVX [Auto]

Legt einen Offset-Wert fest, um die Taktrate des CPU-Kerns zu reduzieren. Es könnte für die Wärmeableitung beim Betrieb des AVX-Instruction-Set hilfreich sein. Wenn die Einstellung auf [Auto] gesetzt ist, wird das BIOS diese Einstellungen automatisch konfigurieren. Diese Option wird angezeigt, wenn die CPU diese Funktion unterstützt.

► Ring Ratio [Auto]

Setzen Sie den Ring Ratio. Der erlaubte Wertebereich ist abhängig von der installierten CPU.

► Adjusted Ring Frequency

Zeigt die angepasste Ring Frequenz. Nur Anzeige – keine Änderung möglich.

► GT Ratio [Auto]

Setzen Sie den Multiplikator der integrierten Grafik. Der erlaubte Wertebereich ist abhängig von der installierten CPU.

► Adjusted GT Frequency

Zeigt die angepasste Frequenz der integrierten Grafik. Nur Anzeige – keine Änderung möglich.

► Misc Setting*

Drücken Sie die Enter, + oder - Taste, um die folgenden 2 Punkte des CPU-Funktionen zu öffnen oder zu schließen.

► EIST [Enabled]*

Aktivieren oder deaktivieren Sie die Enhanced Intel® SpeedStep Technologie.

[Enabled] Aktiviert EIST, um die CPU-Spannung und Taktfrequenz dynamisch anzupassen. Diese Funktion kann den durchschnittlichen Stromverbrauch und die durchschnittliche Hitzeentwicklung verringern.

[Disabled] Deaktiviert EIST.

► Intel Turbo Boost [Enabled]*

Aktivieren oder deaktivieren Sie Intel® Turbo Boost. Diese Option wird angezeigt, wenn die installierte CPU diese Einstellungen unterstützt.

[Enabled] Aktivieren Sie diese Funktion, um die CPU-Leistung automatisch zu erhöhen, wenn das System mehr Leistung benötigt.

[Disabled] Deaktivieren Sie diese Funktion.

► Extreme Memory Profile (X.M.P.) [Disabled]

Extreme Memory Profile (XMP) basieren auf Zertifizierungen für Speichermodule aus dem PC-Bereich. Aktivieren Sie die Funktion XMP oder wählen Sie ein Profil des Speichermoduls zum Übertakten aus. Diese Option steht zur Verfügung, wenn die installierten Speichermodule die XMP Technik unterstützen.

► DRAM Reference Clock [Auto]*

Setzen Sie den DRAM-Referenztakt. Der erlaubte Wertebereich ist abhängig von der installierten CPU. Diese Option wird angezeigt, wenn die installierte CPU diese Einstellungen unterstützt.

► DRAM Frequency [Auto]

Setzen Sie die DRAM Frequenz. Bitte beachten Sie, dass ein zuverlässiges Übertaktungsverhalten nicht garantiert werden kann.

► Adjusted DRAM Frequency

Zeigt die Speicherfrequenz an. Nur Anzeige – keine Änderung möglich.

► Memory Try It ! [Disabled]

Die Option „Memory Try It!“ dient der Verbesserung der Speicherkompatibilität oder auch der Speicherleistung durch die Auswahl der optimierten Speicher-Voreinstellungen.

► DRAM Timing Mode [Link]

Wählt den Speicher-Timing-Modus aus.

[Link] Ermöglicht die manuelle Konfigurieren des DRAM-Timing für alle Speicherkanäle.

[UnLink] Ermöglicht die manuelle Konfigurieren des DRAM-Timing für die einzelnen Speicherkanäle.

► Advanced DRAM Configuration

Drücken Sie die **Eingabetaste <Enter>**, um das Untermenü aufzurufen. Der Anwender kann die Speicher-Timing für jeden Kanal des Speichers einstellen. Das System könnte nach dem Ändern der Speicher-Timings instabil werden oder nicht mehr booten. Wenn Instabilität auftritt, löschen Sie bitte die CMOS-Daten und stellen Sie die Standardeinstellungen wieder her. (Lesen Sie bitte den Abschnitt „Steckbrücke zur CMOS-Löschung/ Clear CMOS Taste“, um die CMOS-Daten zu löschen, und die Standardeinstellungen auf das BIOS zu laden.)

► Memory Fast Boot [Auto]*

Aktivieren oder deaktivieren Sie die die Initiierung und Prüfung des Speichers für jeden Boot.

[Auto] Diese Einstellungen werden vom BIOS automatisch konfiguriert.

[Enabled] Der Vorgang der Initiierung und Prüfung des Hauptspeichers wird aus dem Archiv der ersten Initiierung imitiert um den Systemstart zu beschleunigen.

[Disabled] Der Speicher wird bei jedem Boot-Vorgang vollständig neu initiiert und geprüft.

► CPU Voltages control [Auto]

Erlaubt das Einstellen der CPU-Spannungen. Wenn die Einstellung auf **Auto** gesetzt ist, wird das BIOS die Spannungen automatisch einstellen oder Sie können es manuell einstellen.

► DRAM Voltages control [Auto]

Erlaubt das Einstellen der DRAM-Spannungen. Wenn die Einstellung auf **Auto** gesetzt ist, wird das BIOS die Spannungen automatisch einstellen oder Sie können es manuell einstellen.

► CPU Memory Changed Detect [Enabled]*

Aktiviert/Deaktiviert die Systemwarnmeldung beim Booten, wenn die CPU oder der Hauptspeicher ersetzt wurde.

[Enabled] Das System zeigt eine Warnmeldung beim Systemstart und lädt die Default-Einstellungen für neue Geräte.

[Disabled] Deaktivierung der Funktion und Beibehaltung der aktuellen BIOS-Einstellungen.

► CPU Specifications

Drücken Sie die **Eingabetaste <Enter>**, um das Untermenü aufzurufen. Das Untermenü zeigt die Informationen der installierten CPU an. Zu diesen Informationen gelangen Sie, indem Sie die Taste [F4] drücken. Nur Anzeige.

► CPU Technology Support

Drücken Sie die **Eingabetaste <Enter>**, um das Untermenü aufzurufen. Das Untermenü zeigt die wichtigsten Eigenschaften der installierten CPU an.

► MEMORY-Z

Drücken Sie die **Eingabetaste <Enter>**, um das Untermenü aufzurufen. Dieses Untermenü zeigt alle Einstellungen und Timings des installierten Speichers. Zu diesen Informationen gelangen Sie auch, indem Sie die Taste [F5] drücken.

► DIMM A1/A2/B1/B2 Memory SPD

Drücken Sie die **Eingabetaste <Enter>**, um das Untermenü aufzurufen. Das Untermenü zeigt die Informationen des verwendeten Speichers an. Nur Anzeige.

► CPU Features

Drücken Sie die **Eingabetaste <Enter>**, um das Untermenü aufzurufen.

► Hyper-Threading [Enabled]

Die Intel Hyper-Threading Technologie behandelt die Prozessorkerne innerhalb des Prozessors als multi-logische Prozessoren, die Anweisungen simultan durchführen können. Dadurch tritt eine wesentliche Verbesserung der Systemleistung ein. Diese Option wird angezeigt, wenn die installierte CPU diese Einstellungen unterstützt.

[Enable] Aktiviert die Intel Hyper-Threading Technologie.

[Disabled] Deaktiviert die Option, wenn das System die HT-Funktion nicht unterstützt.

► Active Processor Cores Control [All]

Hier können Sie die Zahl der aktiven Prozessorkerne auswählen.

► Limit CPUID Maximum [Disabled]

Aktiviert oder deaktiviert den erweiterten CPUID-Wert.

[Enabled] Das BIOS begrenzt den maximalen CPUID Eingabewert, um Bootprobleme mit älteren Betriebssystem zu umgehen, die den Prozessor mit erweitertem CPUID-Wert nicht unterstützen.

[Disabled] Verwenden Sie den maximalen CPUID Eingabewert.

► Intel Virtualization Tech [Enabled]

Aktiviert oder deaktiviert die Intel Virtualization Technologie.

[Enabled] Aktiviert die Intel Virtualization-Technologie, die es mehreren Betriebssystemen ermöglicht, in voneinander unabhängigen Partitionen zu arbeiten. Das System kann als mehrere Systeme virtuell einsetzen.

[Disabled] Deaktiviert diese Funktion.

► Intel VT-D Tech [Disabled]

Aktiviert oder deaktiviert die Intel VT-D (Intel Virtualization for Directed I/O) Technologie.

► Hardware Prefetcher [Enabled]

Aktivieren oder deaktivieren Sie das Hardware Prefetcher (MLC Streamer prefetcher).

[Enabled] Der CPU Hardware Prefetcher kann frühzeitig Daten und Anweisungen aus dem Speicher in den L2-Cache laden um die Cache-Latency Zeiten zu reduzieren.

[Disabled] Deaktiviert den Hardware Prefetcher.

► Adjacent Cache Line Prefetch [Enabled]

Aktiviert oder deaktiviert den CPU Hardware Prefetcher (MLC Spatial prefetcher).

[Enabled] Ermöglicht Adjacent Cache Line Prefetch zur Verringerung der Cache Latenzzeit und zur Leistungssteigerung von Applikationen.

[Disabled] Aktiviert nur die angeforderten Cache-Zeilen.

► CPU AES Instructions [Enabled]

Aktiviert oder deaktiviert die CPU AES (Advanced Encryption Standard-New Instructions) Unterstützung. Diese Option wird angezeigt, wenn die CPU diese Funktion unterstützt.

► Intel Adaptive Thermal Monitor [Enabled]

Aktiviert oder deaktiviert die Intel Adaptive Thermal-Monitor-Funktion, um die CPU vor Überhitzung zu schützen.

[Enabled] Drosselt den CPU Kerntakt, wenn die CPU-Temperatur über die adaptive Temperatur steigt.

[Disabled] Deaktiviert diese Funktion.

► Intel C-State [Auto]

Aktiviert oder deaktiviert das Intel C-State. C-State ist eine durch ACPI definierte Prozessor-Power-Management-Technologie.

[Auto] Diese Einstellungen werden vom BIOS automatisch konfiguriert.

[Enabled] Ermöglicht die Erkennung, wann sich das System im Leerlauf befindet und senkt den CPU-Stromverbrauch entsprechend.

[Disabled] Deaktiviert diese Funktion.

► C1E Support [Disabled]

Aktiviert oder deaktiviert die C1E-Funktion für Stromersparnis im Leerlauf. Diese Option wird angezeigt, wenn **Intel C-State** aktiviert ist.

[Enabled] Ermöglicht die C1E Funktion, um die CPU-Frequenz und Spannung zur Stromersparnis im Leerlauf zu reduzieren.

[Disabled] Deaktiviert diese Funktion.

► **Package C State limit [Auto]**

Hier können Sie einen CPU C-State-Modus für Stromsparen auswählen, wenn das System im Leerlauf ist. Die Optionen des C-States ist abhängig von der installierten CPU. Diese Option wird angezeigt, wenn **Intel C-State** aktiviert ist.

► **CFG Lock [Enabled]**

Sperren oder Entsperren des MSR 0xE2[15]s, des CFG Lock-Bits.

[Enabled] Sperrt das CFG Lock-Bit.

[Disabled] Entsperrt das CFG Lock-Bit.

► **Long Duration Power Limit (W) [Auto]**

Hier stellen Sie die TDP Leistungsgrenze für die CPU in Turbo Boost Modus ein.

► **Long Duration Maintained (s) [Auto]**

Hier stellen Sie den Zeitraum (ms) für die TDP Leistungsgrenze (W) ein.

► **Short Duration Power Limit (W) [Auto]**

Hier stellen Sie die TDP Leistungsgrenze für CPU in Turbo Boost Modus ein.

► **CPU Current Limit (A) [Auto]**

Hier legen Sie die maximale Stromgrenze der CPU im Turbo Boost Modus fest. Wenn der Strom über den angegebenen Grenzwert steigt, verringert die CPU automatisch Core-Frequenz.

► **FCLK Frequency [Auto]**

Legt FCLK Frequenz fest. Stellen Sie eine niedrigere FCLK-Frequenz ein, um die Einstellung der höheren Grundtakt-Frequenz zu machen.

► **DMI Link Speed [Auto]**

Legt die DMI-Geschwindigkeit fest.

► **SW Guard Extensions (SGX) [Software Control]**

Aktivieren oder deaktivieren der Intel SGX Funktion.

Table des matières

Informations de sécurité	3
Spécifications	4
Spécifications du connecteur JCORSAIR1	10
Contenu	11
Panneau arrière Entrée/ Sortie	12
Tableau explicatif de l'état de la LED du port LAN	12
Configuration des ports audio.....	12
Realtek Audio Console	13
Installation des antennes	15
Vue d'ensemble des composants	16
Socket processeur	17
Slots DIMM	18
PCI_E1~5: Slots d'extension PCIe	19
PEGSW1: Interrupteur PCIe CeaseFire	20
U2_1: Port U.2.....	22
M2_1~3: Slots M.2 (Touche M).....	23
V-Check Points	25
Installer la carte M.2 Xpander-Z	26
SATA1~6 : Connecteurs SATA 6 Gb/s	27
JFP1, JFP2 : Connecteurs de panneau avant	29
JAUD1 : Connecteur audio avant.....	29
CPU_PWR1~2, ATX_PWR1, PCIE_PWR1: Connecteurs d'alimentation	30
OC1: Molette GAME BOOST	31
JBLK_U1, JRATIO_U1: Connecteur Fréquence de base et Ratio.....	32
OC_FS1: Bouton OC Force Enter BIOS (forcer l'entrée de l'OC dans le BIOS).....	32
OC_RT2: Bouton OC Retry (retener l'OC).....	32
T_SEN1~2: Connecteur de capteur thermique.....	33
JSLOW1: Cavalier de démarrage du mode ralenti.....	33
CPU_FAN1, PUMP_FAN1, SYS_FAN1~8: Connecteurs pour ventilateurs.....	34
W_FLOW1: Connecteurs de débitmètre d'eau	35
JUSB1~2: Connecteurs USB 3.1 Gen2 Type-C	35
JUSB3~4: Connecteurs USB 3.1 Gen1	36
JUSB5~6: Connecteurs USB 2.0.....	37
POWER1, RESET1: Boutons d'alimentation et de réinitialisation	38
JBAT1: Cavalier Clear CMOS (Réinitialisation BIOS)	38
JC11: Connecteur intrusion châssis	39
BIOS_SW1: Interrupteur Multi-BIOS.....	40
JRGB1, JRAINBOW1~2: Connecteurs LED RGB	41

JCORSAIR1 : Connecteur CORSAIR	42
Tableau de bord dynamique.....	43
Table d'état de Tableau de bord dynamique	43
Indicateurs LED embarqués.....	44
EZ Debug LED.....	44
Indicateurs LED des barrettes DIMM.....	44
Indicateurs LED des ventilateurs	44
Indicateurs LED de Multi-BIOS	45
Indicateur LED du mode XMP.....	45
JPWRLED1: Indicateur LED de l'entrée d'alimentation	45
Debug Code LED.....	46
Tableau des caractères hexadécimaux.....	46
Phase de démarrage	46
Tableau de Debug Code LED	46
Codes d'état ACPI.....	51
Température du processeur	51
Installer OS, Pilotes & Utilitaires	52
Installer Windows® 10	52
Installer les pilotes	52
Installer les utilitaires	52
Configuration du BIOS	53
Entrer dans l'interface Setup du BIOS	53
Réinitialiser le BIOS.....	54
Mettre le BIOS à jour	54
EZ Mode (mode simplifié).....	56
Advanced Mode (mode avancé)	58
OC Menu (menu overclocking).....	59

Informations de sécurité

- Les composants dans l'emballage peuvent être endommagés par des décharges électrostatiques (ESD). Pour vous assurer de correctement monter votre ordinateur, veuillez vous référer aux instructions ci-dessous.
- Assurez-vous de bien connecter tous les composants. En cas de mauvaise connexion, il se peut que l'ordinateur ne reconnaisse pas le composant et que le démarrage échoue.
- Veuillez tenir la carte mère par les bords pour éviter de toucher les composants sensibles.
- Il est recommandé de porter un bracelet antistatique lors de la manipulation de la carte mère pour prévenir tout dommage. Si vous n'avez pas de bracelet antistatique, touchez un objet métallique relié à la terre avant de manipuler la carte mère afin de vous décharger de votre charge statique. Touchez régulièrement l'objet métallique pendant toute la manipulation.
- Tant que la carte mère n'est pas installée, conservez-la dans un récipient protégé contre les ondes électrostatiques ou sur une couche antistatique.
- Avant de démarrer l'ordinateur, vérifiez si toutes les vis et les composants métalliques sont bien fixés sur la carte mère ou ailleurs dans le boîtier de l'ordinateur.
- Ne démarrez pas l'ordinateur avant d'avoir terminé l'installation. Ceci peut endommager les composants ou vous blesser.
- Si vous avez besoin d'aide pendant l'installation, veuillez consulter un technicien informatique certifié.
- Avant d'installer les composants d'ordinateur, veuillez toujours mettre hors tension et débrancher le cordon d'alimentation.
- Gardez ce manuel pour références futures.
- Protégez ce manuel contre l'humidité.
- Avant de brancher le bloc d'alimentation sur la sortie électrique, veuillez vous assurer que la tension de la sortie électrique est bien égale à celle du bloc d'alimentation.
- Placez le cordon d'alimentation de façon à éviter que l'on marche dessus. Ne posez rien sur le cordon d'alimentation.
- Veuillez prêter attention à toutes les alertes et remarques indiquées sur la carte mère.
- Dans un cas comme ci-dessous, faites appel au service autorisé pour vérifier votre carte mère :
 - Un liquide a pénétré dans l'ordinateur.
 - La carte mère a été exposée à de l'humidité.
 - La carte mère ne fonctionne pas comme indiqué dans les instructions.
 - La carte mère est tombée par terre et a été endommagée.
 - La carte mère est cassée.
- Ne pas mettre la carte mère dans un environnement dont la température est supérieure à 60°C (140°F) sous peine de l'endommager.

Spécifications

CPU	<p>Support des processeurs de la famille de série 9000 Intel® Core™/ 8ème Gen Intel® Core™ / Pentium® Gold / Celeron® pour socket LGA1151</p> <p>* Veuillez vous au site www.intel.com pour plus d'informations de compatibilité.</p>
Chipset	Chipset Intel® Z390
Mémoire	<ul style="list-style-type: none"> • 4 x slots pour mémoire DDR4, support jusqu'à 64 Go* • Support DDR4 4600(OC)/ 4533(OC)/ 4500(OC)/ 4400(OC)/ 4300(OC)/ 4266(OC)/ 4200(OC)/ 4133(OC)/ 4000(OC)/ 3866(OC)/ 3733(OC)/ 3600(OC)/ 3466(OC)/ 3400(OC)/ 3333(OC)/ 3300(OC)/ 3200(OC)/ 3000(OC)/ 2800(OC)/ 2666/ 2400/ 2133 MHz* • Support mode Double-Canal • Support non-ECC, mémoire un-buffered • Support Intel® Extreme Memory Profile (XMP) <p>* Veuillez vous référer au site www.msi.com pour plus d'informations sur la mémoire compatible.</p>
Slots d'extension	<ul style="list-style-type: none"> • 4 x slots PCIe 3.0 x16* • 1 x slot PCIe 3.0 x1 <p>* Référez-vous à la page 19 pour les détails.</p>
Multi-GPU	<ul style="list-style-type: none"> • Support de la technologie NVIDIA® SLI™ 2-Way • Support de la technologie AMD® CrossFire™ 4-Way
Stockage	<p>Chipset Intel® Z390</p> <ul style="list-style-type: none"> • 6 x ports SATA 6Gb/s* • 3 x slots M.2 (Touche M)* <ul style="list-style-type: none"> ▪ M2_1 & M2_3 support jusqu'à PCIe 3.0 x 4 et des périphériques de stockage SATA 6Gb/s, 2242/ 2260/ 2280/ 22110 ▪ M2_2 support jusqu'à PCIe 3.0 x 4 et des périphériques de stockage SATA 6Gb/s, 2242/ 2260/ 2280 ▪ Intel® Optane™ Memory Ready • 1 x port U.2* <ul style="list-style-type: none"> ▪ Support le stockage PCIe 3.0 x 4 NVMe <p>* Le slot M.2_2, le port U.2 et les ports SATA partagent la même bande passante. Référez-vous à la page 27 pour les détails.</p> <p>** Avant d'utiliser les modules de mémoire Intel® Optane™, veuillez vous assurer d'avoir mis à jour les pilotes et le BIOS avec la dernière version disponible sur le site officiel MSI.</p>

Suite du tableau sur la page suivante

Suite du tableau sur la page précédente

RAID	<p>Chipset Intel® Z390</p> <ul style="list-style-type: none">• Support RAID 0, RAID1, RAID 5 et RAID 10 pour les périphériques de stockage SATA• Support RAID 0, RAID 1 et RAID5 pour les périphériques de stockage M.2 PCIe
LAN	<ul style="list-style-type: none">• 2 x contrôleur Killer® E2500 Gigabit LAN
Wireless LAN & Bluetooth®	<p>Chipset Killer® 1550</p> <ul style="list-style-type: none">• Le module sans fil est pré-installé dans le slot M2_4 (Touche-E).• Support Wi-Fi 2 x2 802.11 AC• Support Bluetooth® 4.1, 3.0+HS
USB	<ul style="list-style-type: none">• Chipset Intel® Z390<ul style="list-style-type: none">▪ 6 x ports USB 3.1 Gen2 (SuperSpeed USB 10Gbps) (1 Type-C et 3 ports Type-A sur le panneau arrière, 2 Type-C connecteurs internes)▪ 4 x ports USB 2.0 (High-speed USB) par l'intermédiaire des connecteurs USB internes• Chipset ASMedia® ASM1042<ul style="list-style-type: none">▪ 2 x ports USB 3.1 Gen1 (SuperSpeed USB) sur le panneau arrière• Chipset ASMedia® ASM1074<ul style="list-style-type: none">▪ 4 x ports USB 3.1 Gen1 (SuperSpeed USB) disponibles par l'intermédiaire des connecteurs USB internes
Audio	<ul style="list-style-type: none">• 2 x Realtek® ALC1220 Codecs<ul style="list-style-type: none">▪ Audio haute définition 7.1▪ Support sortie S/PDIF• ESS® E9018 Codec<ul style="list-style-type: none">▪ Support d'une sortie casque stéréo 6,3 mm plaquée or

Suite du tableau sur la page suivante

Suite du tableau sur la page précédente

Connecteurs sur le panneau arrière	<ul style="list-style-type: none">• 1 x bouton BIOS FLASHBACK+• 1 x bouton Clear CMOS• 2 x connecteurs d'antenne Wi-Fi• 1 x port combo clavier/ souris PS/2• 2 x ports USB 3.1 Gen1 Type-A• 2 x ports LAN (RJ45)• 3 x ports USB 3.1 Gen2 Type-A• 1 x port USB 3.1 Gen2 Type-C• 1 x jack audio pour sortie casque stéréo 6.3mm plaquée or• 5 x jacks audio OFC• 1 x connecteur Sortie S/PDIF optique
Connecteurs internes	<ul style="list-style-type: none">• 1 x connecteur d'alimentation principal ATX 24 broches• 2 x connecteurs d'alimentation ATX 12V 8 broches• 1 x connecteur d'alimentation ATX PCIe 6 broches• 6 x connecteurs SATA 6 Gb/s• 3 x slots M.2 (M-Touche)• 1 x port U.2• 2 x ports USB 3.1 Gen2 Type-C• 2 x connecteurs USB 3.1 Gen1 (support de 4 autres ports USB 3.1 Gen1)• 2 x connecteurs USB 2.0 (support de 4 autres ports USB 2.0)• 1 x connecteur de ventilateurs CPU 4 broches• 1 x connecteur de ventilateurs 4 broches pour la pompe à eau• 8 x connecteurs de ventilateurs système 4 broches• 1 x connecteur à 3 broches pour système de watercooling• 1 x connecteur audio avant• 2 x connecteurs de panneau système• 1 x connecteur intrusion châssis• 2 x connecteurs à 2 broches pour capteur thermique• 1 x connecteur LED RGB 4 broches• 2 x connecteurs de LED RAINBOW 3 broches• 1 x connecteur de LED CORSAIR 3 broches


Suite du tableau sur la page suivante

Suite du tableau sur la page précédente

Boutons internes	<ul style="list-style-type: none">• 1 x molette GAME BOOST• 1 x bouton retenter l'OC• 1 x bouton l'entrée de l'OC dans le BIOS• 1 x bouton d'alimentation• 1 x bouton de réinitialisation
Connecteur à broches interne	<ul style="list-style-type: none">• 1 x connecteur à broches JBLK_U1• 1 x connecteur à broches JRATIO_U1
Interrupteurs	<ul style="list-style-type: none">• 1 x Interrupteur Multi-BIOS• 1 x Interrupteur PCIe CeaseFire
Cavalier	<ul style="list-style-type: none">• 1 x cavalier de démarrage en mode ralenti
Debug LED	<ul style="list-style-type: none">• 1 x 2-Digit Debug Code LED• 4 x EZ Debug LED
Panneau d'affichage	DYNAMIC DASHBOARD <ul style="list-style-type: none">• Affiches les informations système
Contrôleur E/S	Contrôleur NUVOTON NCT6797
Moniteur système	<ul style="list-style-type: none">• Détection de la température du CPU et du système• Détection de la vitesse du ventilateur du CPU et du système• Contrôle de la vitesse du ventilateur du CPU et du système
Dimensions	<ul style="list-style-type: none">• Format E-ATX• 30,5 cm x 27,2cm (12" x 10,7")
Fonctions BIOS	<ul style="list-style-type: none">• Dual BIOS• 2 x flash BIOS 128 Mb• UEFI AMI BIOS• ACPI 6.1, SMBIOS 2.8• Multilingue

Suite du tableau sur la page suivante

Suite du tableau sur la page précédente

Logiciel	<ul style="list-style-type: none">• Pilotes• DRAGON CENTER• MYSTIC LIGHT• Killer Control Center• Nahimic Audio• CPU-Z MSI GAMING• MSI App Player (BlueStacks)• Intel® Extreme Tuning Utility• Google Chrome™, Google Toolbar, Google Drive• Norton™ Internet Security Solution
Fonctions Dragon Center	<ul style="list-style-type: none">• GAME OPTIMIZATION• OC Performance• Hardware Monitor• Eyereast• LAN Manager• Live Update  <p>Référez-vous au site http://download.msi.com/manual/mb/DRAGONCENTER2.pdf pour plus de détails.</p>
Fonctions spéciales	<ul style="list-style-type: none">• Audio<ul style="list-style-type: none">▪ Xtreme Audio DAC▪ Nahimic 3• Network<ul style="list-style-type: none">▪ Killer TripleShot▪ GAMING LAN with Killer LAN Manager▪ Killer WiFi• Stockage<ul style="list-style-type: none">▪ Turbo U.2▪ Triple Turbo M.2

Suite du tableau sur la page suivante

Suite du tableau sur la page précédente

Fonctions spéciales

- Ventilateur
 - Ventilateurs pour la pompe
 - Contrôle des ventilateurs GAMING
- LED
 - Mystic Light 3
 - Mystic Light Extension (RGB)
 - Mystic Light Extension (RAINBOW)
 - Mystic Light Extension (CORSAIR)
 - Mystic Light Sync
 - EZ DEBUG LED
- Protection
 - Steel Armor DDR4
 - M.2 Shield 3
 - Steel Armor PCIe
 - Steel Armor U.2
- Performance
 - Convertisseur numérique-analogique ESS SABRE HiFi exclusif pour une qualité audio sans perte
 - Technologie Multi GPU-SLI
 - Technologie Multi GPU-CrossFire
 - DDR4 Boost
 - GAME Boost
 - Streaming Boost
 - OC Engine
 - Lightning USB
 - Front Lightning USB
 - port USB de type A+C
- Stability
 - 7000+ Quality Test

Suite du tableau sur la page suivante

Suite du tableau sur la page précédente

Fonctions spéciales	<ul style="list-style-type: none">• VR<ul style="list-style-type: none">▪ VR Ready▪ Expérience des joueurs▪ GAMING HOTKEY▪ Contrôle de la souris GAMING• BIOS<ul style="list-style-type: none">▪ Click BIOS 5▪ BIOS FLASHBACK+▪ Dual BIOS• Certification<ul style="list-style-type: none">▪ Quadro SLI Ready▪ Quadro Ready▪ GAMING Certified
----------------------------	---

Spécifications du connecteur JCORSAIR1

Produits CORSAIR à LED RGB supportés	Connexion maximale
Ruban LED RGB Lighting Node PRO	20* * dans le cas d'une luminosité de 20%
Ventilateur RGB HD120	6
Ventilateur RGB SP120	6
Ventilateur RGB LL120	6

Contenu

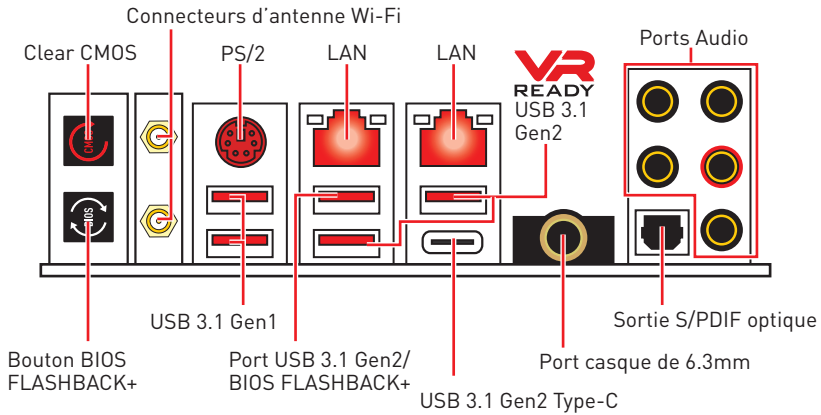
Vérifiez tous les articles dans le carton d'emballage de votre carte mère. L'emballage doit contenir :

Carte mère	MEG Z390 GODLIKE	
Câble	Câble SATA 6Gb/s	6
	Câble d'extension Y 1 à 2 LED RGB 80cm	1
	Câble d'extension LED RGB CORSAIR 50cm	1
	Câble d'extension LED RGB RAINBOW 80cm	2
	Câble d'extension RGB CORSAIR à RAINBOW 10cm	1
	Câble de thermistance	2
Accessoires	Set d'antenne	1
	M.2 Xpander-Z	1
	Streaming Boost	1
	SLI HB BRIDGE L	1
	Adapteur Audio 6.3mm	1
	Insigne pour châssis	1
	Labels de Câble SATA	1
	Carte VIP	1
DVD d'application	DVD de pilotes	1
Documentation	Manual d'utilisation	1
	Guide rapide	1
	Guide d'installation rapide	1

Important

Veillez contacter votre revendeur si un des éléments ci-dessus est endommagé ou manquant.

Panneau arrière Entrée/ Sortie



- **Bouton Clear CMOS** - Eteignez votre ordinateur. Appuyez sur le bouton CMOS pendant environ 5-10 secondes pour remettre le BIOS aux valeurs par défaut.
- **Port/ bouton BIOS FLASHBACK+** - Veuillez vous référer à la page 42 pour en savoir plus sur la mise à jour du BIOS avec BIOS FLASHBACK+.
- **Port casque de 6.3mm** - Ce port est utilisé pour connecter le casque.

Tableau explicatif de l'état de la LED du port LAN

LED indiquant la connexion et l'activité			LED indiquant la vitesse	
Etat	Description		Etat	Description
Eteint	Pas de connexion		Eteint	Débit de 10 Mbps
Jaune	Connexion correcte		Vert	Débit de 100 Mbps
Clignote	Activité en cours		Orange	Débit de 1 Gbps

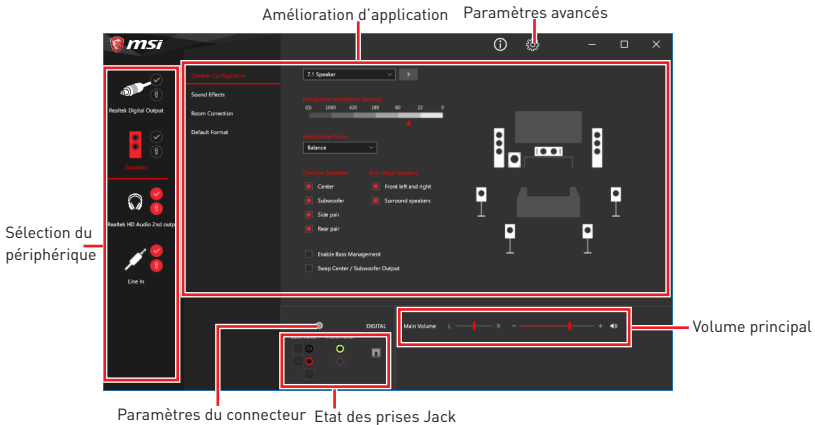
Configuration des ports audio

Ports Audio	Canal			
	2	4	6	8
Sortie centre/ Caisson de basse			●	●
Sortie audio haut-parleur arrière		●	●	●
Entrée Ligne/ Sortie audio haut-parleur côté				●
Sortie Ligne/ Sortie casque avant	●	●	●	●
Entrée Microphone				

(● : connecté, Espace : vide)

Realtek Audio Console

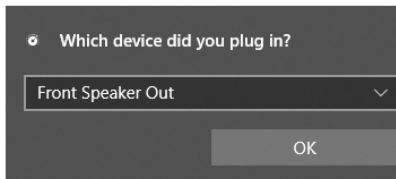
Après l'installation de Realtek Audio Console, vous pouvez l'utiliser pour modifier les paramètres du son afin d'obtenir une meilleure expérience sonore.



- **Sélection du périphérique** - vous permet de sélectionner une source de sortie audio pour en modifier les paramètres. Le symbole de coche indique le périphérique sélectionné par défaut.
- **Amélioration d'application** - les diverses options vous fournissent un guide complet des effets acoustiques proposés pour les périphériques de sortie et d'entrée.
- **Volume principal** - contrôle le volume ou équilibre le son gauche/droite des haut-parleurs branchés sur le panneau avant ou derrière en ajustant la barre de volume.
- **Paramètres avancés** - fournit le mécanisme pour gérer deux flux audio indépendants.
- **Etat des prises Jack** - présente tous les périphériques de diffusion et de capture connectés à votre ordinateur.
- **Paramètres du connecteur** - configure les paramètres de connexion.

Dialogue pop up automatique

Lorsqu'un périphérique est branché sur une prise audio, une fenêtre de dialogue apparaît vous demande de choisir le périphérique connecté que vous souhaitez utiliser.



Chaque jack est réglé avec ses paramètres par défaut comme indiqué sur la page suivante.

Important

Les photos ci-dessus ne sont données qu'à titre de référence et peuvent varier selon le produit que vous achetez.

Illustration de l'utilisation des ports audio dédiés au casque et au microphone

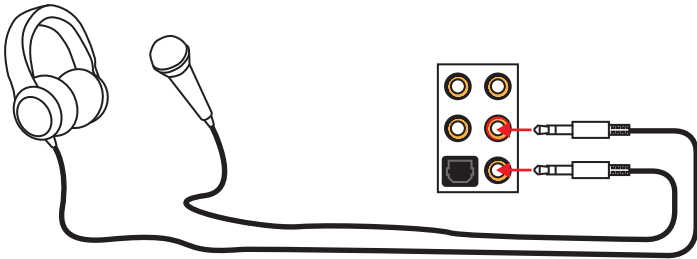


Illustration de l'utilisation du port audio dédié aux haut-parleurs

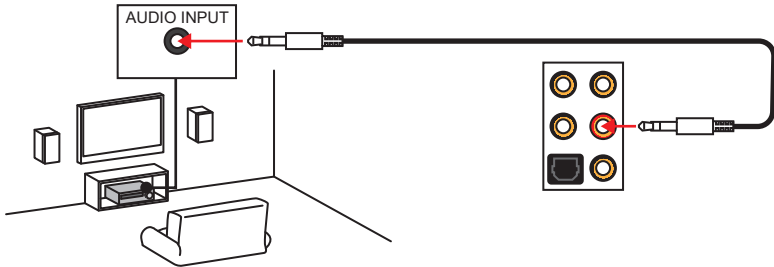
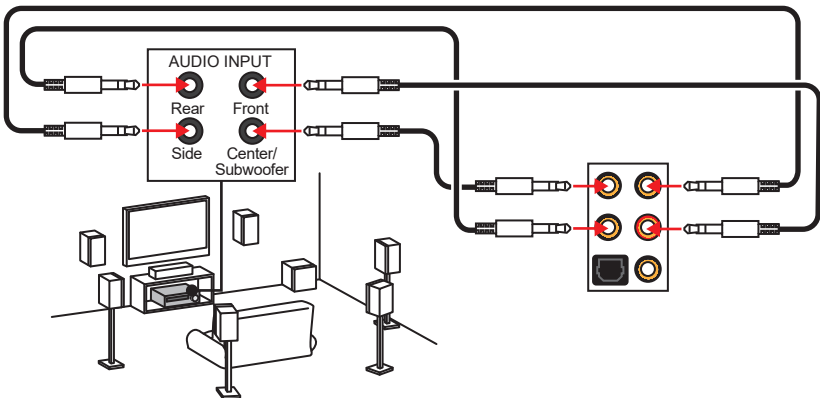
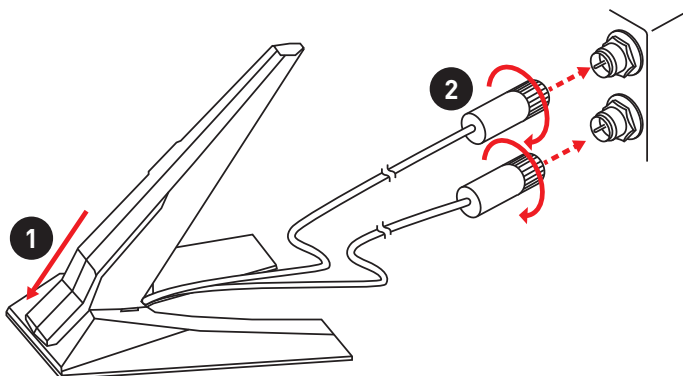


Illustration de l'utilisation des ports audio dédiés aux haut-parleurs 7.1

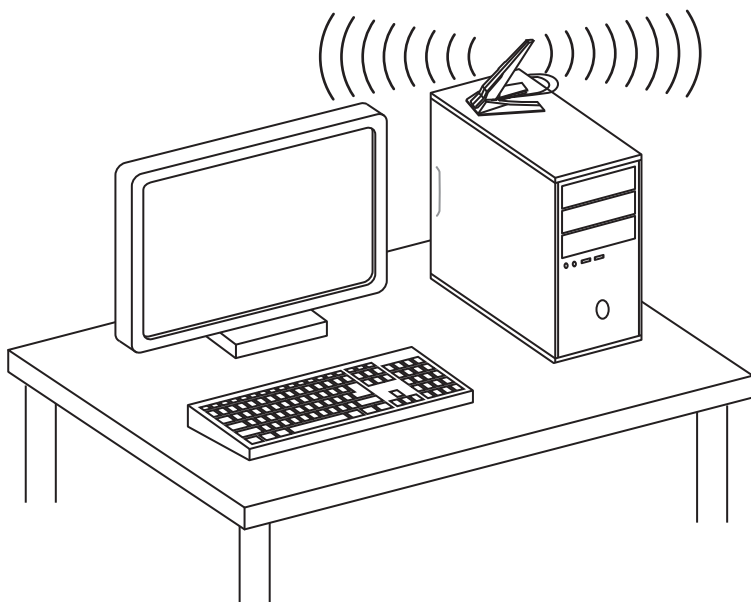


Installation des antennes

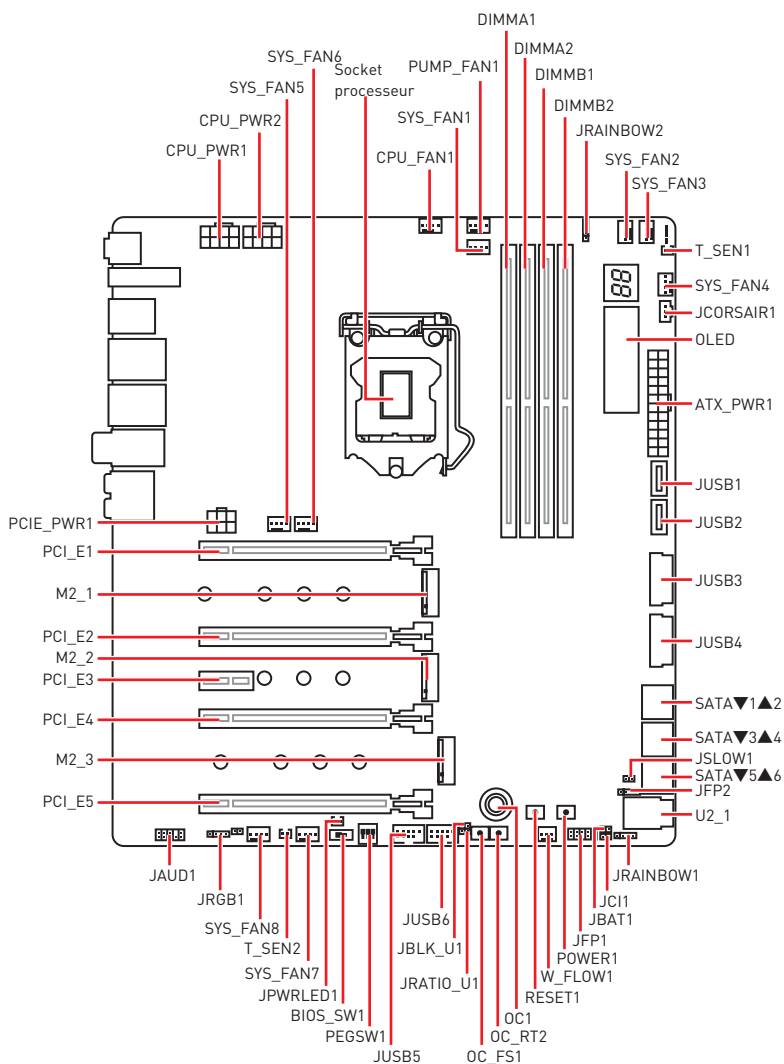
1. Combiner l'antenne avec la base.
2. Vissez fermement les antennes aux connecteurs d'antenne Wi-Fi comme indiqué ci-dessous.



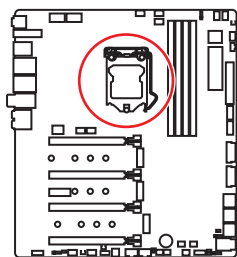
3. Placez les antennes le plus haut possible.



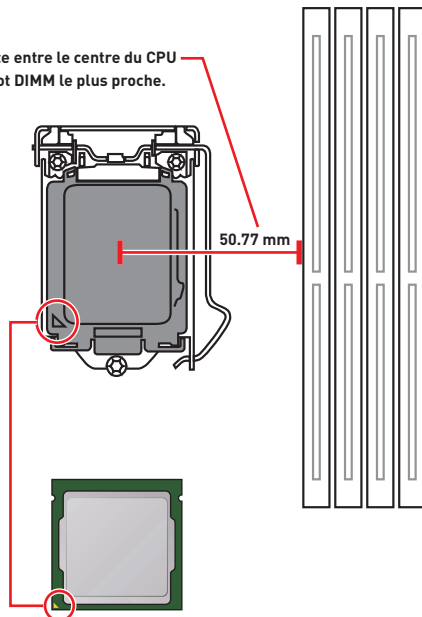
Vue d'ensemble des composants



Socket processeur



Distance entre le centre du CPU
et le slot DIMM le plus proche.



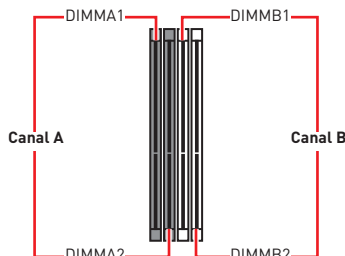
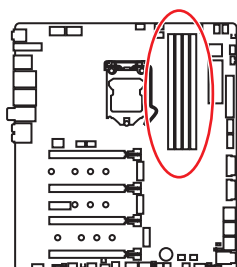
Présentation du socket LGA 1151

Sur le socket LGA 1151, vous remarquerez deux **encoches** et un **triangle jaune** servant d'indicateur pour placer le processeur dans la bonne position sur la carte mère. Le triangle jaune correspond à la broche 1 du processeur.

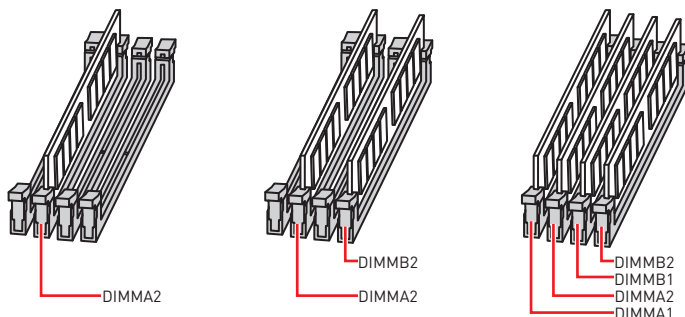
Important

- Avant d'installer ou de retirer le processeur du socket, veillez à toujours débrancher le câble d'alimentation de la prise électrique.
- Veuillez garder le capot de protection du processeur après l'installation du processeur. Selon les exigences de RMA (Return Merchandise Authorization), MSI n'acceptera pas les cartes mère dont le capot de protection aura été retiré.
- Lors de l'installation d'un processeur, n'oubliez pas d'installer un ventilateur pour processeur. Un ventilateur de processeur est nécessaire pour protéger le processeur contre la surchauffe et maintenir la stabilité du système.
- Assurez-vous de l'étanchéité entre le ventilateur et le processeur avant de démarrer votre système.
- La surchauffe peut facilement endommager le processeur et la carte mère. Assurez-vous toujours que le système de refroidissement fonctionne correctement pour protéger le processeur de la surchauffe. Assurez-vous d'appliquer une couche de pâte thermique (ou adhésif thermique) entre le processeur et le système de refroidissement afin d'améliorer la dissipation de la chaleur.
- Quand le processeur n'est pas installé, protégez toujours les broches de l'emplacement du processeur avec le couvercle dédié.
- Si vous avez acheté un processeur indépendamment du ventilateur, veuillez vous référer à la documentation dans le paquet du ventilateur pour plus d'informations concernant l'installation.
- Cette carte mère supporte l'overclocking. Néanmoins, veuillez vous assurer que vos composants soient capables de tolérer l'overclocking. Prenez note que l'utilisation au-delà des spécifications du constructeur n'est pas recommandée. MSI® ne garantit pas les dommages et risques causés par les utilisations non prévues dans les spécifications du produit.

Slots DIMM



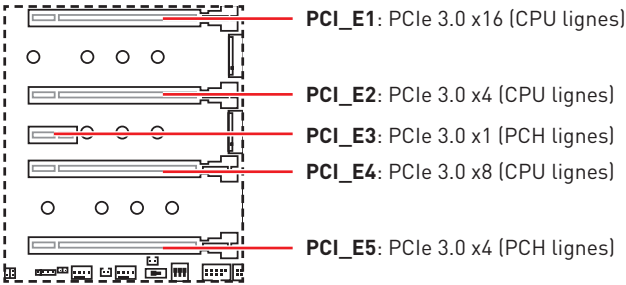
Installation recommandée de module mémoire



Important

- Veillez à toujours insérer un module de mémoire dans l'emplacement **DIMMA2** en premier.
- Du fait des ressources utilisées par le chipset, la capacité de mémoire disponible est un peu moins élevée que celle installée.
- Basé sur les spécifications du processeur Intel, une tension d'une barrette mémoire en dessous de 1.35V est conseillée pour protéger le processeur.
- Veuillez noter que la capacité maximum de la mémoire est de 4 Go ou moins pour le système d'exploitation Windows 32-bit du fait de la limitation de mémoire. Par conséquent, il est recommandé d'installer le système d'exploitation Windows 64-bit si vous voulez installer une mémoire de plus de 4 Go sur la carte mère.
- Certaines mémoires peuvent fonctionner à une fréquence réduite par rapport à la valeur indiquée lors de l'overclocking car la fréquence d'opération de mémoire dépend du Serial Presence Detect (SPD). Rendez-vous sur le BIOS et choisissez la fonction **Memory Try It!** pour régler la fréquence de mémoire si vous voulez faire fonctionner la mémoire à la fréquence indiquée ou à une fréquence plus élevée.
- Il est recommandé d'utiliser un système de refroidissement qui sera capable de refroidir toutes les barrettes mémoire et d'offrir de bonnes performances lors d'un overclocking.
- La stabilité et la compatibilité du module de mémoire lors de l'overclocking dépendent du processeur et des périphériques installés.

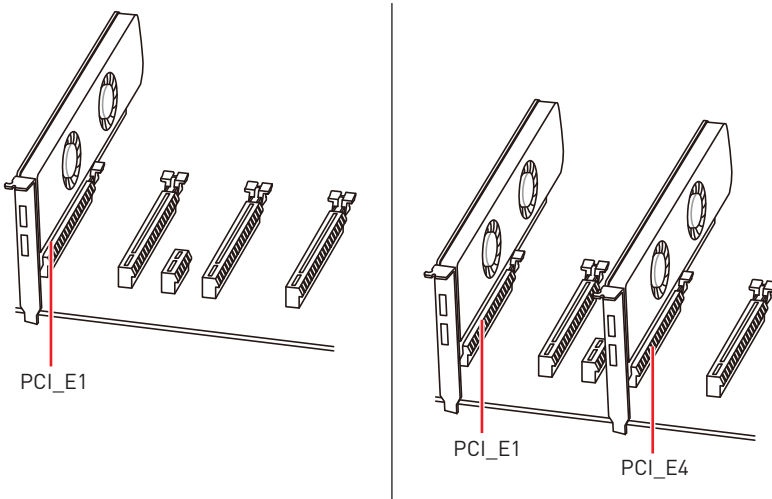
PCI_E1~5: Slots d'extension PCIe

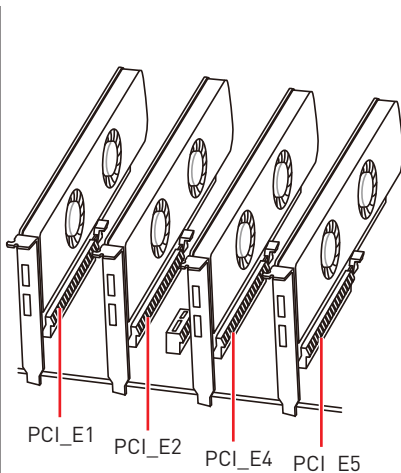
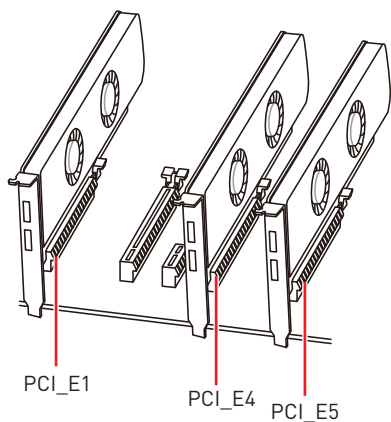


Installation recommandée pour une configuration multi-GPU

Carte Graphique	Unique	2-Way	3-Way*	4-Way*
PCI_E1	Ⓜ 3.0 x16	Ⓜ 3.0 x8	Ⓜ 3.0 x8	Ⓜ 3.0 x8
PCI_E2	Vide	Vide	Vide	Ⓜ 3.0 x4
PCI_E3	3.0 x1	3.0 x1	3.0 x1	3.0 x1
PCI_E4	Vide	Ⓜ 3.0 x8	Ⓜ 3.0 x8	Ⓜ 3.0 x4
PCI_E5	3.0 x4	3.0 x4	Ⓜ 3.0 x4	Ⓜ 3.0 x4

(Ⓜ: slot de carte graphique, *: CrossFire uniquement)



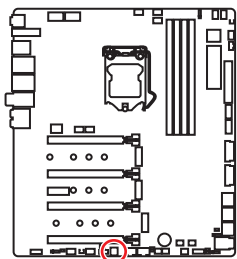


Important

- Si vous installez une carte graphique lourde, il vous faut utiliser un outil comme la **barre de support MSI Gaming Series** pour supporter son poids et pour éviter la déformation du slot.
- Si vous choisissez d'installer une seule carte d'extension PCIe x16, nous vous recommandons d'utiliser le slot **PCI_E1** pour profiter de performances optimales.
- Veillez à toujours mettre l'ordinateur hors tension et à débrancher le cordon d'alimentation avant d'installer les cartes d'extension. Référez-vous à la documentation des cartes pour vérifier si un composant ou un logiciel doit être modifié.
- Le **M2_3** est indisponible lorsqu'un périphérique PCIe est installé dans le slot **PCI_E5**.

PEGSW1: Interrupteur PCIe CeaseFire

Le Interrupteur PCIe CeaseFire vous permet d'activer et de désactiver les slots PCIe (par CPU lignes) facilement et directement.



Slots	ON	ON	ON	ON
	1	2	3	1
PCI_E1	✓	✓	✓	—
PCI_E2	✓	—	—	—
PCI_E4	✓	✓	—	—

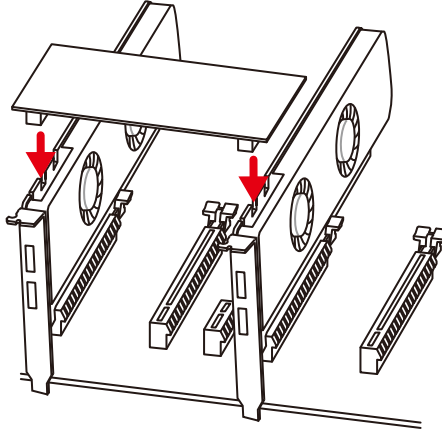
(✓ : activée, — : désactivé)

Installation des cartes graphiques SLI

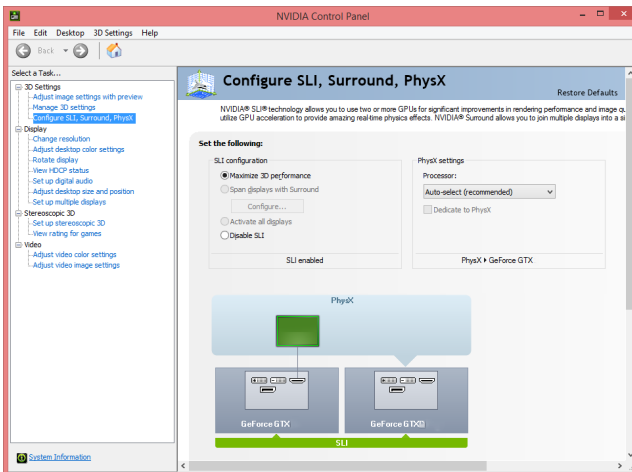
Pour savoir quel type d'alimentation est recommandé pour une configuration SLI, veuillez vous référer au mode d'emploi de votre carte graphique, afin de parfaitement répondre à la demande du système.

Pour installer les cartes graphiques en SLI :

1. Eteignez votre ordinateur et déconnectez le cordon d'alimentation. Installez deux cartes graphiques dans les slots **PCI_E1** et **PCI_E4**.
2. Connectez les deux cartes graphiques avec un **pont SLI**.

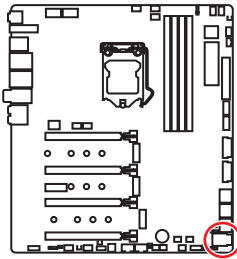


3. Reliez tous les connecteurs d'alimentation PCIe des cartes graphiques.
4. Reconnectez le cordon d'alimentation, allumez votre ordinateur et installez les pilotes et logiciels fournis avec la carte graphique.
5. Faites un clic droit sur le bureau de Windows et choisissez **NVIDIA Control Panel** dans le menu. Sur l'onglet de gauche, cliquez sur **Configure SLI, Surround, PhysX** dans l'onglet à gauche. Sélectionnez **Maximize 3D performance** dans le menu de configuration SLI et puis cliquez sur **Appliquer**.



U2_1: Port U.2

Ce port utilise une interface U.2. Chaque port peut être relié à un périphérique de stockage PCIe 3.0 x4 NVMe.

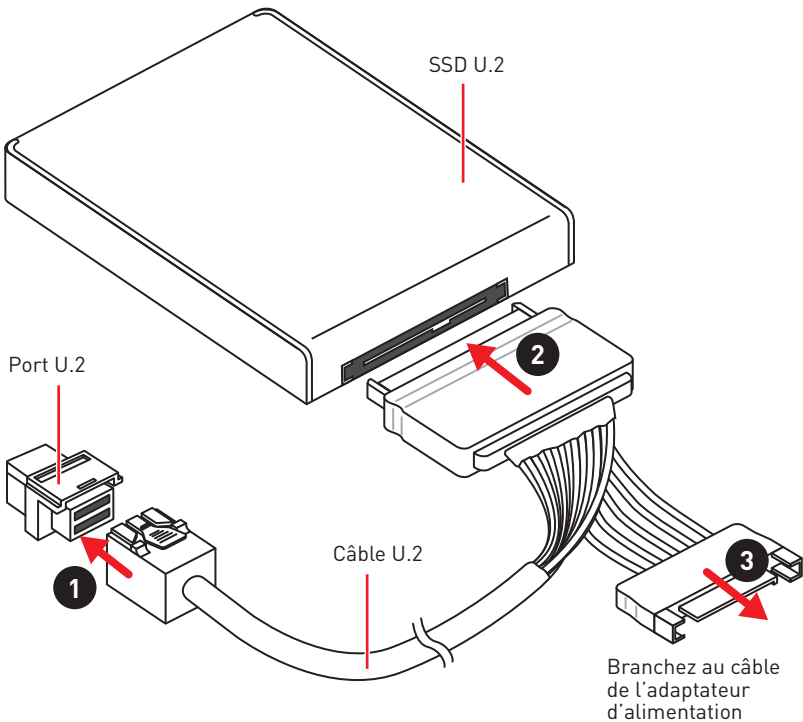


Video Demonstration

Référez-vous à la vidéo d'installation du SSD U.2. <http://youtu.be/KgFvKDXymvw>

Installation du SSD U.2

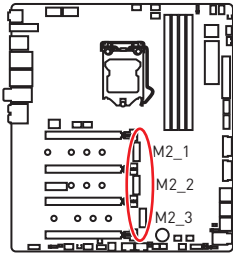
1. Branchez le câble U.2 au port U.2 sur la carte mère.
2. Branchez le câble U.2 au SSD U.2.
3. Branchez le câble U.2 au câble de l'adaptateur d'alimentation.



Important

Le M2_2, SATA5 et SATA6 est indisponibles lorsqu'un périphérique U.2 est installé dans le port U.2.

M2_1~3: Slots M.2 (Touche M)

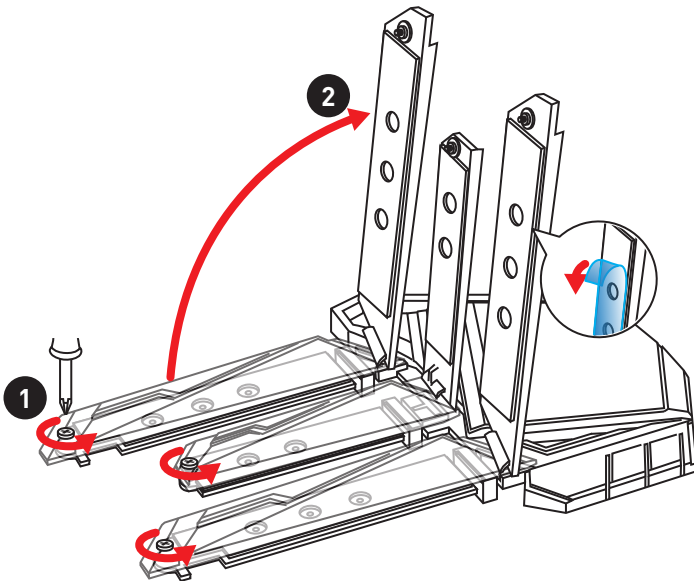


Important

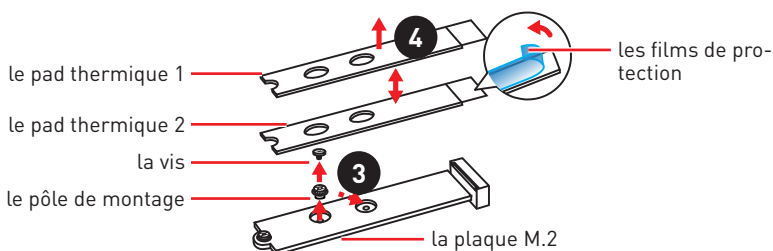
- La technologie Intel® RST supporte seulement un SSD M.2 PCIe avec une mémoire ROM UEFI.
- Intel® Optane™ Memory Ready.

Installation du module M.2

1. Desserrez la vis de M.2 SHIELD FROZR.
2. Soulever le M.2 shield Frozr et retirer le film de protection du pad thermique.

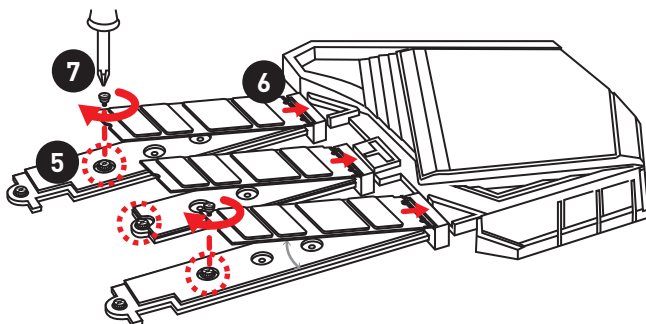


- Chaque slot M.2 dispose d'une vis et d'un support de fixation (entretoise). La première sert à fixer la plaque M.2 SHIELD FROZR et le second à supporter le SSD M.2 quand sa longueur est plus courte que la plaque M.2 SHIELD FROZR. Si le SSD M.2 est de la même longueur que la plaque M.2 SHIELD FROZR, veuillez ne pas utiliser sa vis et son support de fixation mais utiliser ceux dédiés à la plaque M.2 Shield Frozr. Cela évitera d'endommager le SSD M.2.
- Vous trouverez deux pads thermiques sur chaque plaque de base du slot M.2. Le pad thermique 2 est fixé et ne doit pas être retiré. Si vous voulez installer un SSD M.2 double face, retirez totalement le pad thermique 1 et les films de protection. Seul le pad thermique 2 sera nécessaire du fait de l'épaisseur du SSD. Si vous voulez installer un SSD M.2 à simple face, plus fin, retirez les deux films de protection du pad thermique 1, puis remplacez ce dernier sur le pad thermique 2.

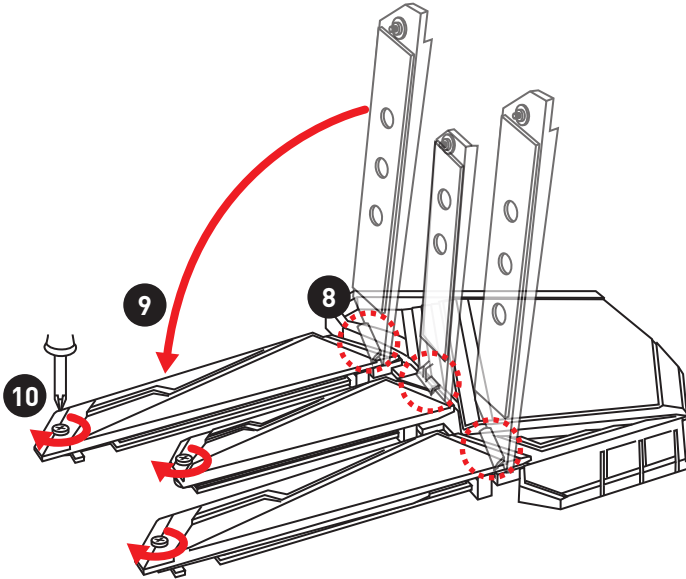


Les images sont uniquement données à des fins d'illustration et l'apparence des plaques et des pads thermiques peut être différente.

- Si nécessaire, déplacez le support de fixation de manière à l'adapter à la longueur du SSD M.2.
- Insérez votre SSD M.2 dans le slot M.2 à un angle de 30 degrés.
- Si la longueur du SSD M.2 est plus courte que la plaque M.2 SHIELD FROZR, placez un support de fixation au niveau de l'encoche du SSD et insérez-y une vis pour fixer le SSD M.2.



8. Insérez la plaque M.2 SHIELD FROZR dans la rainure prévue à cette effet.
9. Rabaissez la plaque M.2 SHIELD FROZR vers le bas.
10. Fixez la plaque M.2 SHIELD FROZR sur la plaque de base.

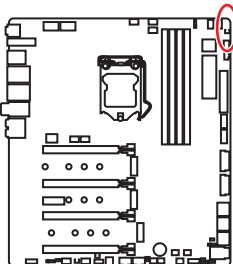








V-Check Points

Ces points de mesure de tension servent à mesurer les tensions du système.

Un multimètre est nécessaire pour vérifier les tensions (multimètre non fourni).

Pour vérifier la tension, placez les fils d'essai sur le GND (trou de montage de la vis) et V-Check Point. Veuillez vous reporter au manuel de votre multimètre pour plus d'informations.



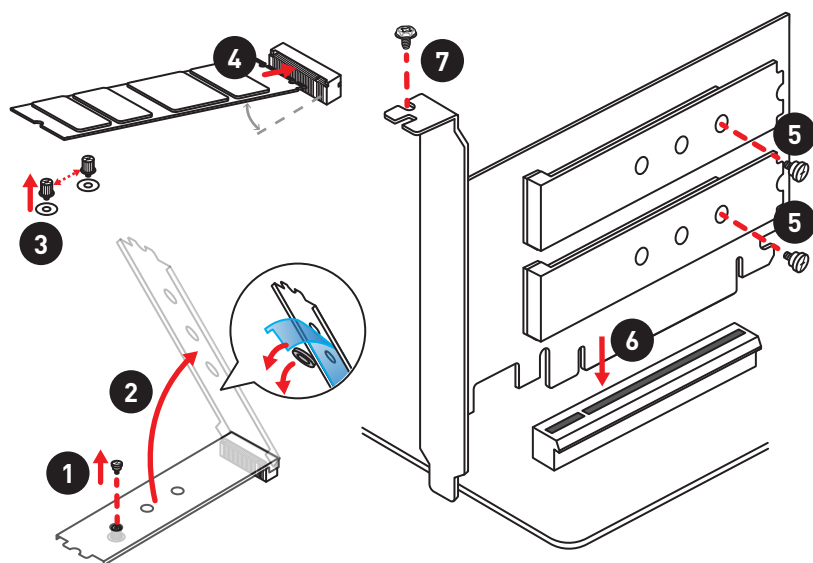
-  GND
-  CPU
-  VCCIO
-  VSA
-  DRAM
-  PCH

Installer la carte M.2 Xpander-Z

La carte M.2 Xpander-Z offre deux slots M.2 Touche-M.

Pour installer la carte M.2 Xpander-Z :

1. Enlevez la vis du support situé sous la plaque.
2. Relevez la plaque et retirez le film de protection et les anneaux de caoutchouc du pad thermique.
3. Déplacez le support dans le trou de fixation correspondant à la longueur de votre SSD M.2.
4. Insérez votre SSD M.2 dans le slot M.2 à un angle de 30 degrés.
5. Remettez la plaque sur le SSD M.2 et revissez la vis retirée au début sur le support pour fixer la plaque.
6. Insérez la carte M.2 Xpander-Z dans le slot PCIe.
7. Fixez la vis pour sécuriser la carte M.2 Xpander-Z.

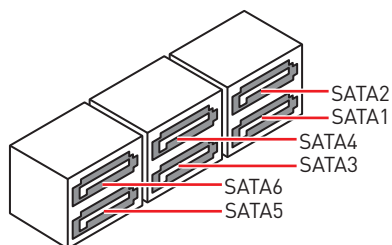
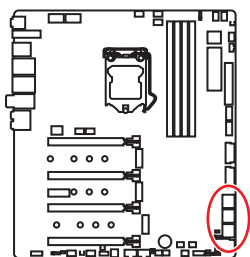


Important

Lorsque vous avez installé la carte Xpander-Z dans PCI_E2, alors PCI_E4 est indisponible, si la carte Xpander-Z est installée dans PCI_E4, alors PCI_E2 est indisponible.

SATA1~6 : Connecteurs SATA 6 Gb/s

Ces connecteurs utilisent une interface SATA 6 Gb/s. Chaque connecteur peut être relié à un appareil SATA.



Important

- Veuillez ne pas plier les câbles SATA à 90° car cela pourrait entraîner une perte de données pendant la transmission.
- Les câbles SATA disposent de prises identiques sur chaque côté. Néanmoins, il est recommandé de connecter la prise plate sur la carte mère pour un gain d'espace.

Tableau de combinaison M.2, SATA et U.2

Slot	Combinaison		
M2_1	PCIe		SATA
SATA1	✓		✓
SATA2	✓		—

U2_1		Vide		Installé
M2_2	PCIe	SATA	Vide	—
SATA5	—	—	✓	—
SATA6	—	✓	✓	—

PCI_E5		Vide		Installé
M2_3	PCIe	SATA	Vide	—
SATA3	✓	—	✓	✓

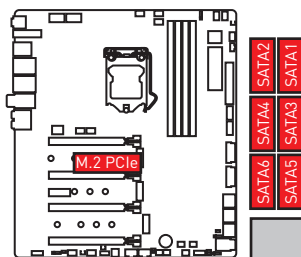
(SATA: M.2 SATA SSD, PCIe: M.2 PCIe SSD, ✓: disponible, —: indisponible)

Important

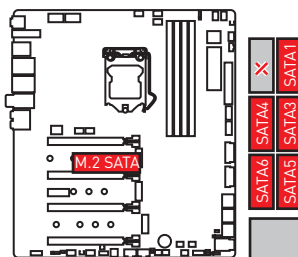
- Le M2_2, SATA5 et SATA6 est indisponible lorsqu'un périphérique U.2 est installé dans le port U.2.
- Le M2_3 est indisponible lorsqu'un périphérique PCIe est installé dans le slot PCI_E5.

Combinaison des slots M.2

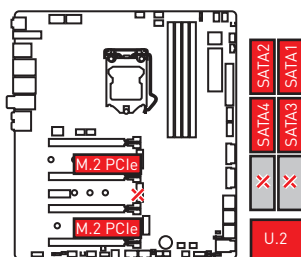
1 x SSD M.2 PCIe + 6 x disques durs SATA



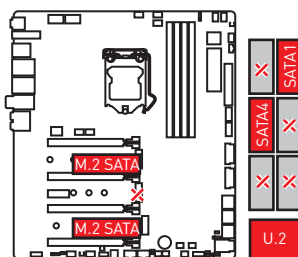
1x SSD M.2 SATA + 5 x disques durs SATA



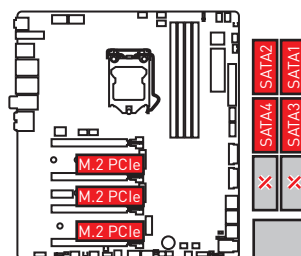
2 x SSDs M.2 PCIe + 1 x SSD U.2+ 4x disques durs SATA



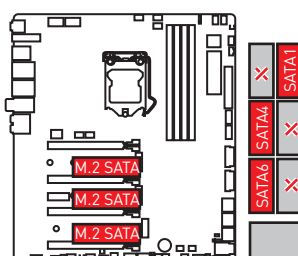
2 x SSDs M.2 SATA + 1 x SSD U.2 + 2 x disques durs SATA



3 x SSDs M.2 PCIe + 4 x disques durs SATA

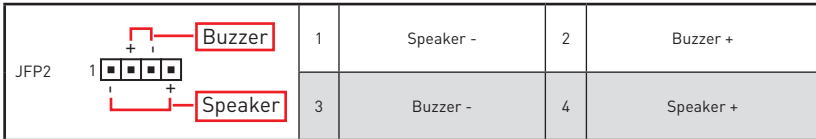
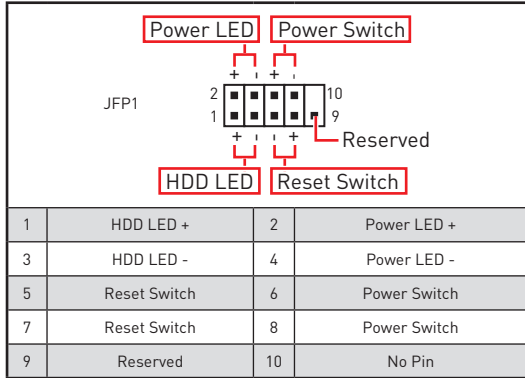
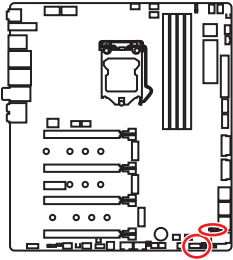


3 x SSDs M.2 SATA + 3 x disques durs SATA



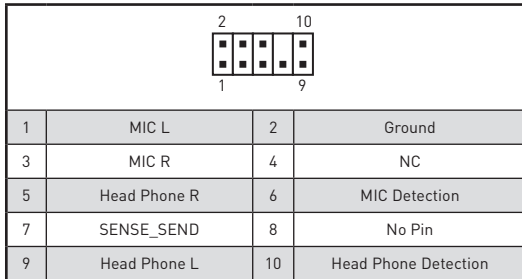
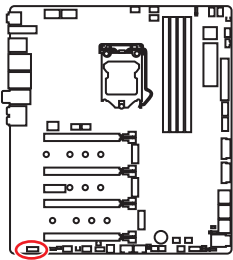
JFP1, JFP2 : Connecteurs de panneau avant

Ces connecteurs se lient aux interrupteurs et indicateurs LED du panneau avant.



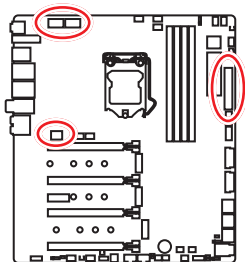
JAUD1 : Connecteur audio avant


Ce connecteur se lie aux jacks audio du panneau avant.



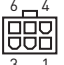
CPU_PWR1~2, ATX_PWR1, PCIE_PWR1 : Connecteurs d'alimentation

Ces connecteurs vous permettent de relier une alimentation ATX.



 CPU_PWR1/ CPU_PWR2			
1	Ground	5	+12V
2	Ground	6	+12V
3	Ground	7	+12V
4	Ground	8	+12V

 ATX_PWR1			
1	+3.3V	13	+3.3V
2	+3.3V	14	-12V
3	Ground	15	Ground
4	+5V	16	PS-ON#
5	Ground	17	Ground
6	+5V	18	Ground
7	Ground	19	Ground
8	PWR OK	20	Res
9	5VSB	21	+5V
10	+12V	22	+5V
11	+12V	23	+5V
12	+3.3V	24	Ground

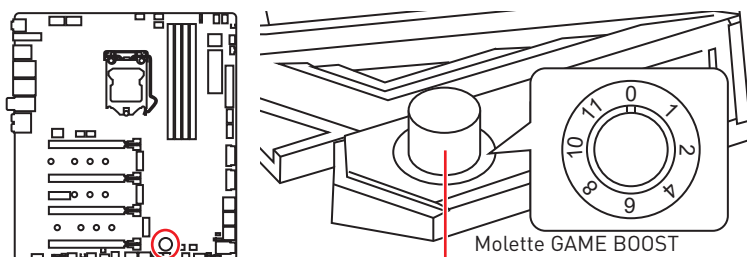
 PCIE_PWR1			
1	+12V	4	Ground
2	+12V	5	Ground
3	+12V	6	Ground

Important

Veillez vous assurer que tous les câbles d'alimentation sont branchés aux connecteurs adéquats afin garantir une opération stable de la carte mère.

OC1: Molette GAME BOOST

Cette molette de réglage vous permet de choisir manuellement le niveau d'overclocking du processeur allant de 0 (par défaut) à 11 (extrême). La tension et la fréquence du processeur seront automatiquement ajustées après le démarrage de l'ordinateur.



Utiliser la molette de réglage GAME BOOST

Pour utiliser la molette de réglage GAME BOOST, suivez les étapes ci-dessous :

1. Mettez la molette GAME BOOST en mode Hardware (contrôle au niveau matériel) par l'intermédiaire des paramètres du BIOS.
2. Eteignez l'ordinateur.
3. Tournez la molette GAME BOOST et choisissez le niveau d'overclocking que vous désirez.

Stage	CPU Frequency			
	i3-8350K	i5-8600K	i7-8700K	i7-8086K
0	GAME BOOST Disabled	GAME BOOST Disabled	GAME BOOST Disabled	GAME BOOST Disabled
1	4.1G	4.2-4.4 GHz	4.4-4.8 GHz	4.4-5.1 GHz
2	4.2G	4.3-4.5 GHz	4.5-4.9 GHz	4.5-5.2 GHz
4	4.3G	4.4-4.6 GHz	4.6-5.0 GHz	4.6-5.3 GHz
6	4.4G	4.5-4.7 GHz	4.7-5.1 GHz	4.7-5.4 GHz
8	4.5G	4.6-4.8 GHz	4.8-5.2 GHz	4.8-5.5 GHz
10	4.6G	4.7-4.9 GHz	4.9-5.3 GHz	4.9-5.6 GHz
11	4.7G	4.8-5.0 GHz	5.0-5.4 GHz	5.0-5.7 GHz

4. Allumez l'ordinateur. GAME BOOST overclockera automatiquement le processeur selon le niveau que vous avez choisi.

Pour désactiver GAME BOOST:

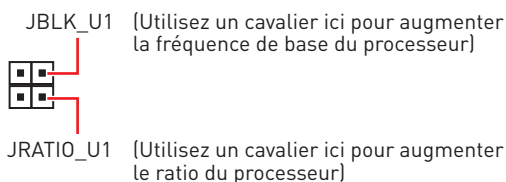
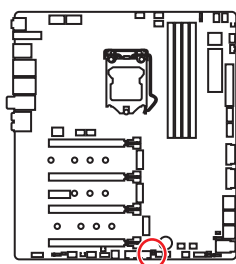
1. Mettez la molette GAME BOOST en mode Hardware par l'intermédiaire des paramètres du BIOS.
2. Eteignez l'ordinateur.
3. Tournez la molette GAME BOOST au niveau 0 puis allumez l'ordinateur. Les paramètres de configuration seront alors remis aux valeurs normales.

Important

- Lors de l'activation du mode **GAME BOOST**, il est recommandé d'utiliser un système de refroidissement liquide pour CPU équipé de deux ventilateurs pour un meilleur refroidissement et de meilleures performances.
- Vous pouvez aussi contrôler la fonction **GAME BOOST** par l'intermédiaire du **Setup du BIOS** ou du logiciel **MSI DRAGON CENTER**.
- Pour optimiser les performances et améliorer la stabilité du système, veuillez ne pas modifier les réglages du menu **OC** du **BIOS** quand vous activez la fonction **GAME BOOST**.
- La réussite de l'overclocking dépend des composants de votre ordinateur.
- Nous ne garantissons pas le niveau d'overclocking offert par **GAME BOOST** ni les dommages et risques causés par l'overclocking.
- Les composants **MSI** sont recommandés pour une meilleure compatibilité avec la fonction **GAME BOOST**.

JBLK_U1, JRATIO_U1: Connecteur Fréquence de base et Ratio

Vous pouvez utiliser ces connecteurs pour y brancher des boutons externes. Le bouton qui sera relié au connecteur **JBLK_U1** servira à augmenter la fréquence de base du processeur et celui relié au connecteur **JRATIO_U1** servira à augmenter le ratio du processeur.

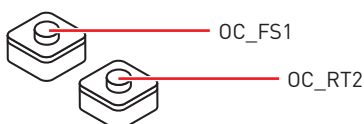
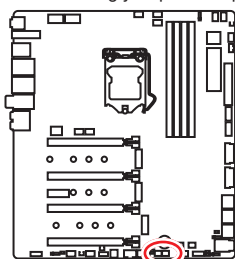


OC_FS1: Bouton OC Force Enter BIOS (forcer l'entrée de l'OC dans le BIOS)

Lorsque vous appuyez ce bouton, le système sera forcé dans le BIOS sans afficher le message **OC_FAIL**.

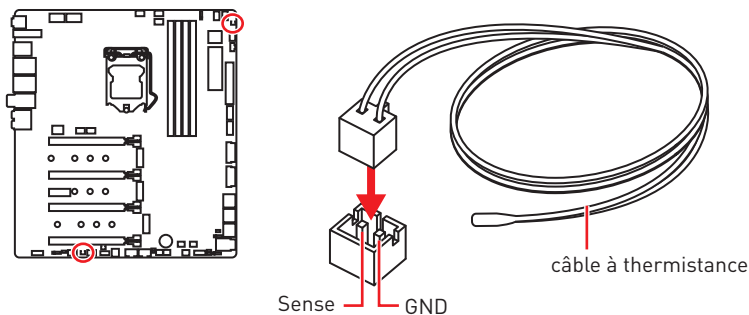
OC_RT2: Bouton OC Retry (retener l'OC)

Lorsque vous appuyez et maintenez ce bouton, le système continuera à relancer l'overclocking jusqu'à ce qu'il réussisse à démarrer.



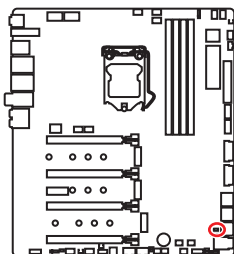
T_SEN1~2: Connecteur de capteur thermique

Ce connecteur vous permet d'utiliser un câble à thermistance pour surveiller la température du point de détection.



JSLOW1: Cavalier de démarrage du mode ralenti

Ce cavalier est utilisé pour la solution de refroidissement LN2, prenant en charge les conditions extrêmes d'overclocking, et assurent le démarrage du processeur à une fréquence stable, ce qui évite le crash du système.



Normal
(défaut)



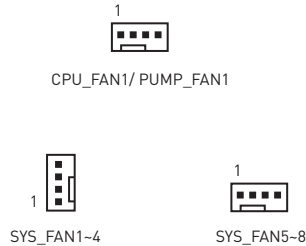
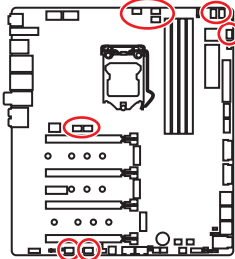
Activé
[Activez cette fonction
pendant POST du BIOS.]

Important

- Les utilisateurs peuvent essayer l'overclocking à la température extrêmement peu élevée à leurs propres risques. Les résultats d'overclocking peuvent varier selon la version du CPU.
- Ne mettez pas cet interrupteur en **Activé** quand vous l'éteignez ou le système ne peut se démarrer.

CPU_FAN1, PUMP_FAN1, SYS_FAN1~8: Connecteurs pour ventilateurs

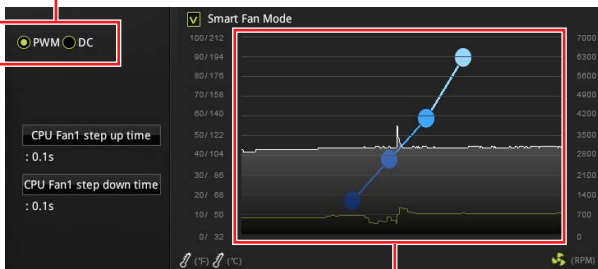
Les connecteurs pour ventilateurs peuvent être utilisés en mode PWM (Pulse Width Modulation) et en mode DC. En mode PWM, les connecteurs fournissent une sortie de 12V constante et ajustent la vitesse des ventilateurs avec un signal de contrôle de vitesse. En mode DC, les connecteurs contrôlent la vitesse des ventilateurs en modifiant la tension. Cette carte mère peut détecter automatiquement le mode PWM et DC. Cependant, vous pouvez suivre les instructions ci-dessous pour régler le connecteur de ventilateur en mode PWM ou mode DC.



Basculer entre les modes des ventilateurs et ajuster la vitesse

Vous pouvez alterner entre le mode PWM et le mode DC et ajuster la vitesse des ventilateurs dans le **BIOS > HARDWARE MONITOR**.

Choisissez le mode **PWM** ou le mode **DC**



Il y a des points de gradient de la vitesse du ventilateur qui vous permet d'ajuster la vitesse de ventilateur par rapport à la température du processeur.

Important

Veillez vous assurer que les ventilateurs fonctionnent correctement après avoir basculé entre les modes PWM et DC.

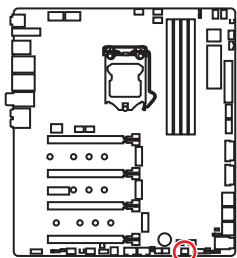
Définition des broches des connecteurs de ventilateur

Définition des broches en mode PWM			
1	Ground	2	+12V
3	Sense	4	Speed Control Signal

Définition des broches en mode DC			
1	Ground	2	Voltage Control
3	Sense	4	NC

W_FLOW1: Connecteurs de débitmètre d'eau

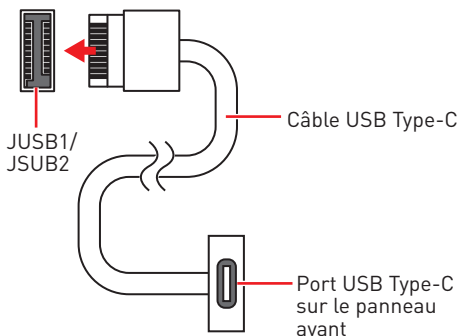
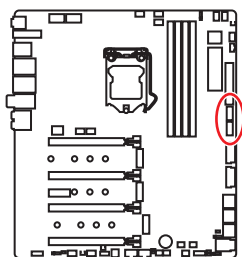
Ce connecteur vous permet de connecter un débitmètre pour surveiller le débit de votre système de refroidissement par eau (watercooling).



1			
1	Ground	3	WFLOW IN
2	WFLOW PWR		

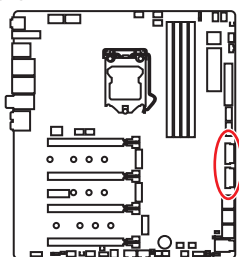
JUSB1~2: Connecteurs USB 3.1 Gen2 Type-C

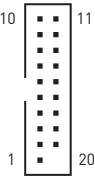
Ce connecteur vous permet de relier un port USB 3.1 Gen2 Type-C sur le panneau avant. Pour plus de sécurité, ce connecteur a été conçu pour offrir une excellente robustesse. Quand vous connectez le câble, assurez-vous de le brancher dans le bon sens.



JUSB3~4: Connecteurs USB 3.1 Gen1

Ces connecteurs vous permettent de relier un port USB 3.1 Gen1 sur le panneau avant.



			
1	Power	11	USB2.0+
2	USB3_RX_DN	12	USB2.0-
3	USB3_RX_DP	13	Ground
4	Ground	14	USB3_TX_C_DP
5	USB3_TX_C_DN	15	USB3_TX_C_DN
6	USB3_TX_C_DP	16	Ground
7	Ground	17	USB3_RX_DP
8	USB2.0-	18	USB3_RX_DN
9	USB2.0+	19	Power
10	NC	20	No Pin



Important

Notez que les câbles d'alimentation et de terre doivent être branchés correctement afin d'éviter d'endommager la carte.

Port DRAGON CENTER

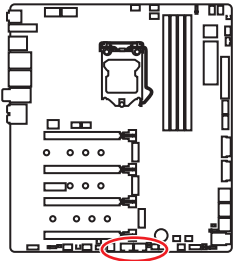
Le connecteur **JUSB4** est un port de recharge capable d'augmenter le débit USB en sortie afin de recharger rapidement votre téléphone portable ou d'autres périphériques USB compatibles. Le port Charger est contrôlé au niveau matériel par la puce de la carte mère et peut supporter le rechargement lorsque l'ordinateur est en mode veille, hibernation ou éteint. Néanmoins, quand vous démarrez l'ordinateur sous Windows®, il vous faut installer l'application MSI DRAGON CENTER pour activer ou désactiver le mode Charging (rechargement).

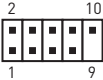


Important

Lorsque le mode Charging est activé, la synchronisation des données du port DRAGON CENTER sera désactivée.

JUSB5~6: Connecteurs USB 2.0



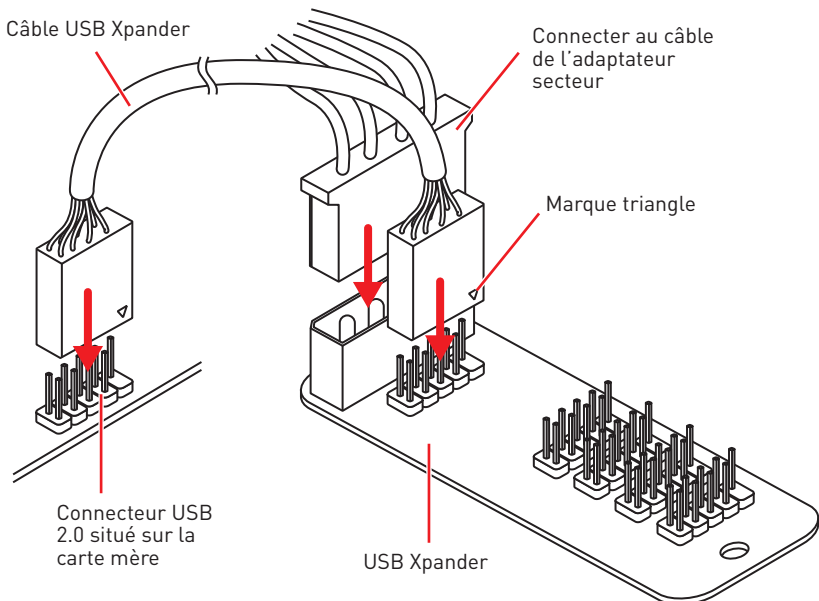
			
1	VCC	2	VCC
3	USB0-	4	USB1-
5	USB0+	6	USB1+
7	Ground	8	Ground
9	No Pin	10	NC

Important

- Notez que les broches VCC et Terre doivent être branchées correctement afin d'éviter tout dommage sur la carte mère.
- Pour recharger votre iPad, iPhone et iPod par l'intermédiaire d'un port USB, veuillez installer l'utilitaire MSIDRAGON CENTER.

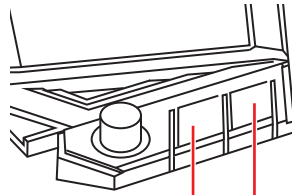
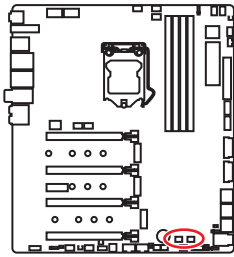
Connecter le câble USB Xpander

Le câble USB Xpander sert à étendre un connecteur USB 2.0 à 4 connecteurs. Utilisez le câble USB Xpander pour connecter la carte d'extension et la carte mère comme illustré ci-dessous.



POWER1, RESET1: Boutons d'alimentation et de réinitialisation

Les boutons d'alimentation et de réinitialisation vous permettent d'allumer ou de redémarrer l'ordinateur.

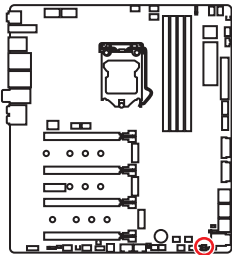


Bouton de réinitialisation

Bouton d'alimentation

JBAT1: Cavalier Clear CMOS (Réinitialisation BIOS)

Une mémoire CMOS est intégrée et est alimentée en externe par une batterie située sur la carte mère afin de conserver les données de configuration système. Si vous souhaitez nettoyer la configuration système, placez le cavalier sur Effacer CMOS de manière à nettoyer la mémoire CMOS.



Keep Data
(default)



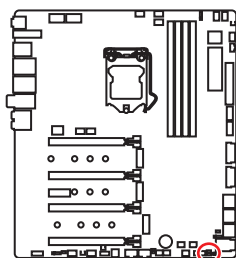
Clear CMOS/
Reset BIOS

Réinitialiser le BIOS aux valeurs par défaut

1. Eteignez l'ordinateur et débranchez le câble d'alimentation de la prise électrique.
2. Utilisez un couvercle de cavalier pour fermer JBAT1 pour environ 5-10 secondes.
3. Enlevez le couvercle de cavalier du JBAT1.
4. Branchez de nouveau le câble d'alimentation à votre ordinateur et allumez-le.

JCI1: Connecteur intrusion châssis

Ce connecteur est relié à un câble d'interrupteur intrusion châssis.



Normal
(défaut)



Commencer l'activité
intrusion châssis

Utilisation du détecteur d'intrusion châssis

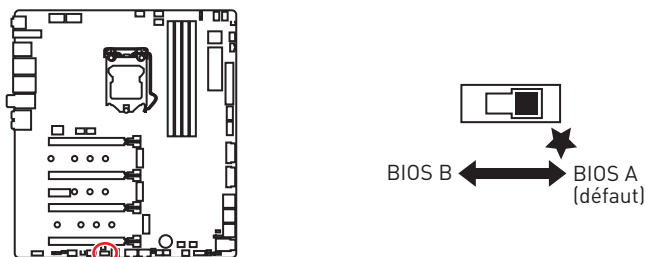
1. Reliez le connecteur **JCI1** à l'interrupteur ou au capteur d'intrusion châssis situé sur le boîtier du PC.
2. Fermez le couvercle du boîtier.
3. Allez dans le **BIOS > SETTINGS (Réglages) > Security (Sécurité) > Chassis Intrusion Configuration (Configuration intrusion châssis)**.
4. Réglez **Chassis Intrusion (intrusion châssis)** sur **Enabled (Activé)**.
5. Appuyez sur **F10** pour sauvegarder et quitter. Ensuite appuyez sur la touche **Enter (Entrée)** pour choisir **Yes (Oui)**.
6. Désormais, si le boîtier du PC est ouvert quand l'ordinateur est allumé, vous recevrez un message d'alerte à l'écran.

Réinitialisation de l'alerte intrusion châssis

1. Allez dans le **BIOS > SETTINGS (Réglages) > Security (Sécurité) > Chassis Intrusion Configuration (Configuration intrusion châssis)**.
2. Mettez **Chassis Intrusion (Intrusion châssis)** en **Reset (Remettre)**.
3. Appuyez sur **F10** pour sauvegarder et quitter. Ensuite appuyez sur la touche **Enter (Entrée)** pour choisir **Yes (Oui)**.

BIOS_SW1: Interrupteur Multi-BIOS

Cette carte mère est équipée de deux BIOS ROMs indépendents. Si un des deux est endommagé, vous pouvez passer à l'autre pour le démarrage par le glissement de l'interrupteur.



Restauration du BIOS

Si la mise à jour du BIOS a échoué et que le système ne peut plus démarrer, vous pouvez restaurer le BIOS en suivant les étapes suivantes. Avant la restauration, veuillez télécharger la dernière version de BIOS compatible à votre carte mère sur le site MSI. Ensuite, enregistrez le fichier BIOS sur la racine de la clé USB.

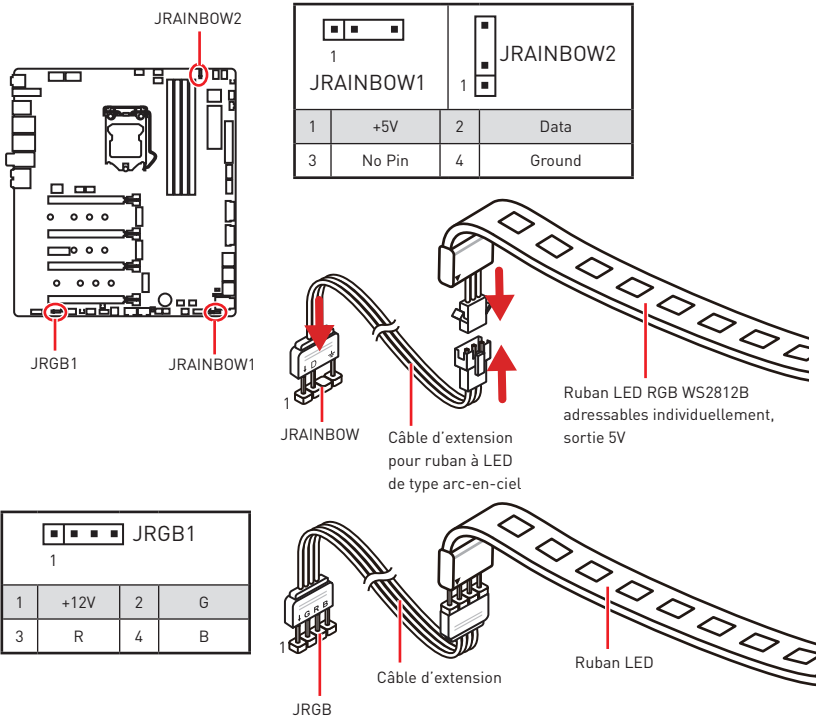
1. Eteignez l'ordinateur.
2. Basculez vers le BIOS ROM normal avec l'**interrupteur Multi-BIOS**.
3. Connectez le lecteur flash USB à l'ordinateur.
4. Allumez l'ordinateur et appuyez sur la touche Suppr pour entrer dans l'interface Setup du BIOS pendant le processus de POST.
5. Choisissez l'onglet **M-FLASH** et cliquez sur **Yes (Oui)** pour redémarrer le système et entrer dans le mode Flash.
6. Choisissez un profil BIOS pour commencer la restauration du BIOS.
7. Basculez vers le BIOS ROM qui a échoué avec l'**interrupteur Multi-BIOS** et cliquez sur **Yes (Oui)** pour commencer la restauration du BIOS.
8. Une fois la restauration terminée, le système redémarrera automatiquement.

Important

- Ne pas utiliser l'interrupteur Multi-BIOS lorsque le système est en cours de démarrage.
- Vous pouvez également utiliser l'utilitaire **LIVE UPDATE** ou **BIOS FLASHBACK+** pour flasher le BIOS. Référez-vous à la section du BIOS pour plus de détails.

JRGB1, JRAINBOW1~2: Connecteurs LED RGB

Le connecteur JRGB vous permet de connecter un ruban LED RGB de type 5050 12V. Le connecteur JRAINBOW vous permet de connecter un ruban à LED RGB WS2812B adressables individuellement 5V.



! CAUTION

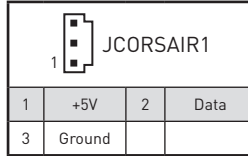
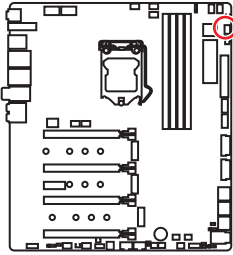
Faites attention à bien connecter le bon type de ruban LED. Le connecteur JRGB et le connecteur JRAINBOW fournissent des tensions différentes. La connexion d'un ruban LED 5V au connecteur JRGB1 peut endommager le ruban.

! Important

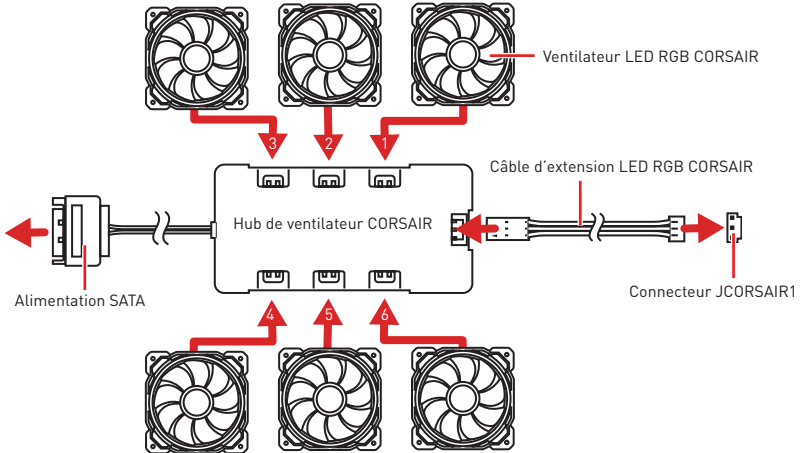
- Le connecteur JRGB supporte jusqu'à des rubans 2 mètres en continu de type 5050(12V/G/R/B) avec une puissance nominale maximale de 3A (12V).
- Le connecteur JRAINBOW supporte jusqu'à des rubans 75 LEDs WS2812B adressables individuellement (5V/Data/Ground) avec une puissance nominale maximale de 3A (5V). Dans le cas d'une luminosité de 20%, le connecteur support jusqu'à 200 LED.
- Avant d'installer ou de retirer le ruban LED, veillez à toujours éteindre l'alimentation et à débrancher le câble d'alimentation de la prise électrique.
- Veuillez utiliser un logiciel MSI dédié pour contrôler le ruban d'extension LED.

JCORSAIR1 : Connecteur CORSAIR

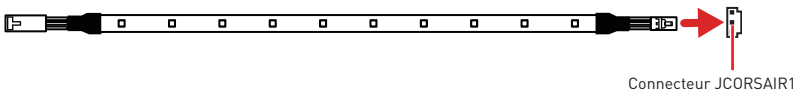
Le connecteur JCORSAIR vous permet de connecter un ruban à LED RGB Lighting PRO adressables individuellement 5V ou un ventilateur RGB de marque Corsair via un hub de ventilateur CORSAIR. Une fois que tous les éléments sont correctement connectés, vous pourrez contrôler les rubans et les ventilateurs LED RGB de marque CORSAIR avec un logiciel MSI dédié.



Connexion du ventilateur LED RGB de marque CORSAIR



Connexion du CORSAIR Lighting Node PRO



! Important

- Veuillez connecter les ventilateurs en série 1 > 2 > 3 > 4 > 5 > 6. Tout ventilateur qui n'est pas connecté en série interrompra la communication et la fonction de rétroéclairage LED RGB ne fonctionnera pas.
- Le nombre de ventilateurs LED RGB ou de rubans LED RGB Lighting PRO supportés peut varier selon le modèle. Veuillez vous référer aux spécifications de la carte mère.
- Le ventilateur LED RGB de marque Corsair et le ruban CORSAIR Lighting Node PRO ne peuvent pas être utilisés en même temps.

Tableau de bord dynamique

Le Dynamic Dashboard est un Tableau de bord dynamique qui peut être utilisé pour afficher des informations système comme la température et la vitesse du processeur, l'état du flash du BIOS ou encore des messages d'erreur. Vous pouvez utiliser le logiciel de MSI dédié pour configurer et personnaliser le Dynamic Dashboard et même uploader un fichier .gif.

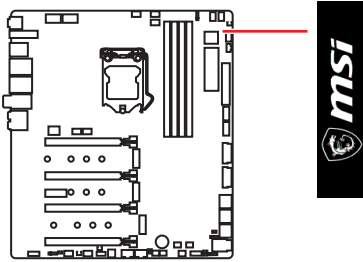


Tableau de bord dynamique

Tableau d'état de Tableau de bord dynamique

État du système	Tableau de bord dynamique	État du système	Tableau de bord dynamique
Allumer		Flashback BIOS (mis à jour)	
le CPU n'est pas détecté ou que son initialisation a échoué		Flashback BIOS (Terminer)	
la mémoire DRAM n'est pas détectée ou que son initialisation a échoué		Flashback BIOS (Erreur)	
le GPU n'est pas détecté ou que son initialisation a échoué		Vitesse de ventilateur/ Température/ Tension	
Entrez l'OS		Game Boost	
S3 (Suspendre à RAM)		CPU/ VGA/ Information sur la mémoire	
S4/S5 (Suspendre à Disk/Shutdown)		Profil de l'utilisateur	

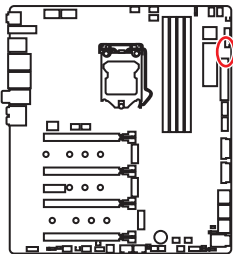
Important

Pour plus d'informations sur la configuration et la personnalisation de Dynamic Dashboard, veuillez vous référer au site internet de MSI.

Indicateurs LED embarqués

EZ Debug LED

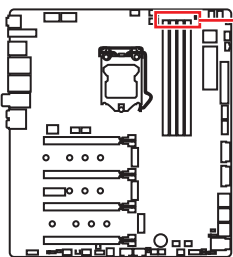
Ces LEDs indiquent l'état de débogage de la carte mère.



- CPU** - indique que le CPU n'est pas détecté ou que son initialisation a échoué.
- DRAM** - indique que la mémoire DRAM n'est pas détectée ou que son initialisation a échoué.
- VGA** - indique que le GPU n'est pas détecté ou que son initialisation a échoué.
- BOOT** - indique que le périphérique de démarrage n'est pas détecté ou que son initialisation a échoué.

Indicateurs LED des barrettes DIMM

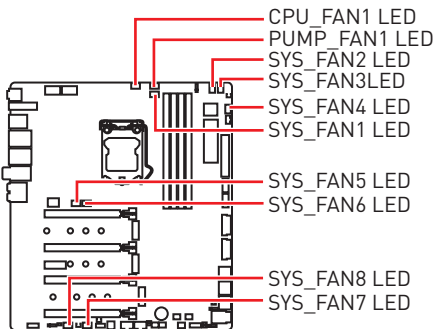
Ces LEDs indiquent que les barrettes de mémoire sont installées.



Indicateurs LED des barrettes DIMM

Indicateurs LED des ventilateurs

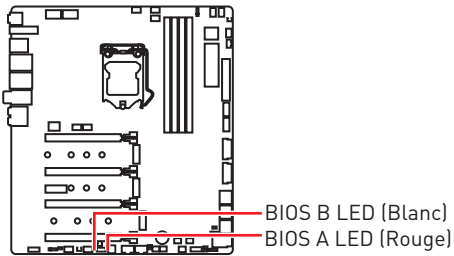
Ces LEDs indiquent le mode de contrôle de ventilateurs.



Couleur de la LED	Mode de contrôle de ventilateurs
Rouge	mode PWM
Blanc	mode DC

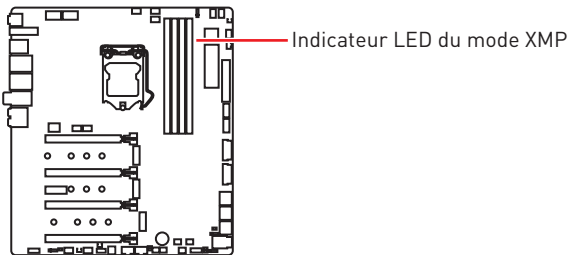
Indicateurs LED de Multi-BIOS

Les indicateurs LED de Multi-BIOS indiquent que le BIOS est en cours d'utilisation.



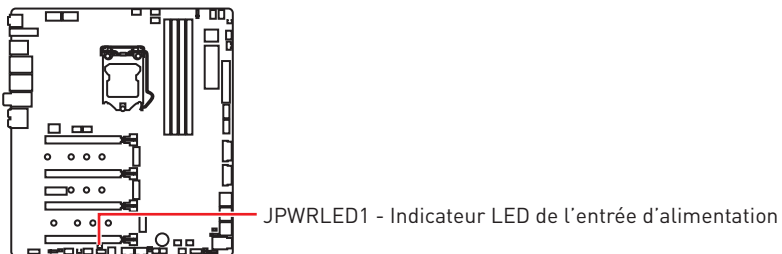
Indicateur LED du mode XMP

Cette LED indique que le mode XMP (Extreme Memory Profile) est activé.



JPWRLED1: Indicateur LED de l'entrée d'alimentation

Ce connecteur est utilisé par les revendeurs pour faire une démonstration des effets de lumière des indicateurs LED.



Debug Code LED

La Debug Code LED affiche les codes de progression et d'erreur pendant et après le processus de POST. Référez-vous au tableau de Debug Code LED pour plus de détails.

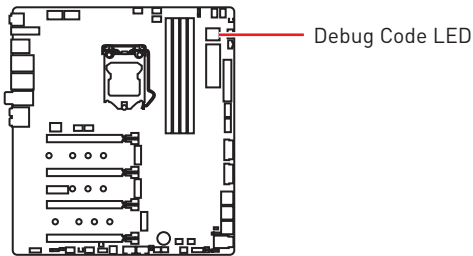


Tableau des caractères hexadécimaux

Hexadécimaux	0	1	2	3	4	5	6	7	8	9	A	B	C	D	E	F
Affichage de Debug Code LED	0	1	2	3	4	5	6	7	8	9	A	B	C	D	E	F

Phase de démarrage

Sécurité (SEC)- initialisation de très bas niveau

Initialisation Pre-EFI (PEI) – initialisation de la mémoire

Environnement d'exécution des pilotes (DXE) – initialisation du matériel principal

Sélection du périphérique de démarrage (BDS) – la configuration du système, l'interface d'utilisateur de pré-OS et la sélection d'un périphérique amorçable (CD/DVD, disque dur, USB, réseau, interface système, etc.)

Tableau de Debug Code LED

Codes de progression SEC

01	Sous tension. Détection du type de réinitialisation (soft/hard).
02	Initialisation AP avant chargement du microcode.
03	Initialisation de l'agent système avant chargement du microcode.
04	Initialisation PCH avant chargement du microcode.
06	Chargement du microcode
07	Initialisation AP après chargement du microcode.
08	Initialisation de l'agent système après chargement du microcode.
09	Initialisation PCH après chargement du microcode.
0B	Initialisation du cache

Codes d'erreur SEC

0C - 0D	Réservé aux futurs codes d'erreur AMI SEC.
0E	Microcode introuvable
0F	Microcode non chargé

Codes de progression PEI

10	Le cœur PEI est lancé.
11	L'initialisation de la pré-mémoire du processeur est lancée.
12 - 14	Initialisation de la pré-mémoire du processeur (module processeur spécifique)
15	L'initialisation de la pré-mémoire de l'agent système est lancée.
16 - 18	Initialisation de la pré-mémoire de l'agent système (module agent système spécifique)
19	L'initialisation de la pré-mémoire du PCH est lancée.
1A - 1C	Initialisation de la pré-mémoire du PCH (module PCH spécifique)
2B	Initialisation de la mémoire. Lecture des données SPD
2C	Initialisation de la mémoire. Détection de présence de la mémoire
2D	Initialisation de la mémoire. Information sur la programmation de synchronisation de la mémoire
2E	Initialisation de la mémoire. Configuration de la mémoire
2F	Initialisation de la mémoire (autre)
31	Mémoire installée.
32	L'initialisation de la post-mémoire du processeur est lancée.
33	Initialisation de la post-mémoire du processeur. Initialisation du cache.
34	Initialisation de la post-mémoire du processeur. Initialisation du ou des processeurs d'application (AP)
35	Initialisation de la post-mémoire du processeur. Sélection du processeur d'amorçage (BSP)
36	Initialisation de la post-mémoire du processeur. Initialisation du mode de gestion du système (SMM)
37	L'initialisation de la post-mémoire de l'agent système est lancée.
38 - 3A	Initialisation de la post-mémoire de l'agent système (module agent système spécifique)
3B	L'initialisation de la post-mémoire du PCH est lancée.
3C - 3E	Initialisation de la post-mémoire du PCH (module PCH spécifique)
4F	DXE IPL est lancé.

Codes d'erreur PEI

50	Erreur d'initialisation de la mémoire. Type de mémoire invalide ou vitesse de mémoire incompatible.
51	Erreur d'initialisation de la mémoire. La lecture du SPD a échoué.

52	Erreur d'initialisation de la mémoire. Taille de mémoire invalide ou modules de mémoire incompatibles
53	Erreur d'initialisation de la mémoire. Aucune mémoire utilisable n'est détectée.
54	Erreur d'initialisation de la mémoire non spécifiée
55	Mémoire non installée
56	Type de processeur ou vitesse invalide
57	Le processeur ne correspond pas.
58	Echec de l'auto-test du processeur ou possibilité d'erreur du cache du processeur
59	Le microcode du processeur est introuvable ou la mise à jour du microcode a échoué.
5A	Erreur du processeur interne
5B	La réinitialisation PPI n'est pas disponible.
5C - 5F	Réservé aux futurs codes d'erreur AMI

Codes de progression DXE

60	Le coeur DXE est lancé.
61	Initialisation de la NVRAM
62	Installation des services d'exécution du PCH
63	L'initialisation du processeur DXE est lancée.
64 - 67	Initialisation du processeur DXE (module processeur spécifique)
68	Initialisation du pont hôte PCI
69	L'initialisation de l'agent système DXE est lancée.
6A	L'initialisation de l'agent système DXE SMM est lancée.
6B - 6F	Initialisation de l'agent système DXE (module agent système spécifique)
70	L'initialisation du PCH DXE est lancée.
71	L'initialisation du PCH DXE SMM est lancée.
72	Initialisation des périphériques du PCH
73 - 77	Initialisation du PCH DXE (module PCH spécifique)
78	Initialisation du module ACPI
79	Initialisation CSM
7A - 7F	Réservé aux futurs codes AMI DXE
90	La phase de sélection du périphérique de démarrage (BDS) est lancée.
91	La connexion du pilote est lancée.
92	L'initialisation du bus PCI est lancée.
93	Initialisation du contrôleur de branchement à chaud du bus PCI
94	Enumération du bus PCI 32
95	Demande des ressources du bus PCI
96	Distribution des ressources du bus PCI

97	Connexion du périphérique de sortie de console
98	Connexion du périphérique d'entrée de console
99	Initialisation Super IO
9A	L'initialisation USB est lancée.
9B	Réinitialisation USB
9C	Détection USB
9D	USB activée
9E -9F	Réservé aux futurs codes AMI
A0	L'initialisation IDE est lancée.
A1	Réinitialisation IDE
A2	Détection IDE
A3	IDE activé
A4	L'initialisation SCSI est lancée.
A5	Réinitialisation SCSI
A6	Détection SCSI
A7	SCSI activé
A8	Configuration de vérification du mot de passe
A9	Démarrage de la configuration
AB	Configuration de l'attente d'entrée
AD	Événement Prêt à démarrer
AE	Événement de démarrage du mode Legacy Boot (Démarrage hérité)
AF	Quitter l'événement des services de démarrage
B0	Début de temps de définition d'adresse virtuelle MAP
B1	Fin de temps de définition d'adresse virtuelle MAP
B2	Initialisation des options Legacy de la mémoire ROM
B3	Réinitialisation du système
B4	Branchement à chaud de la USB
B5	Branchement à chaud du bus PCI
B6	Nettoyage de la NVRAM
B7	Réinitialisation de la configuration (réinitialisation des paramètres NVRAM)
B8 - BF	Réservé aux futurs codes AMI

Codes d'erreur DXE

D0	Erreur d'initialisation du processeur
D1	Erreur d'initialisation de l'agent système
D2	Erreur d'initialisation du PCH
D3	Certains protocoles architecturaux ne sont pas disponibles.

D4	Erreur d'allocation des ressources PCI. Manque de ressources.
D5	Aucun espace pour les options Legacy de la mémoire ROM.
D6	Aucun périphérique de sortie de console n'est trouvé.
D7	Aucun périphérique d'entrée de console n'est trouvé.
D8	Mot de passe invalide
D9	Erreur lors du chargement de l'option de démarrage (erreur LoadImage)
DA	Echec de l'option de démarrage (erreur StartImage)
DB	Echec de la mise à jour du flash
DC	Le protocole de réinitialisation n'est pas disponible.

Codes de progression de reprise S3

E0	La reprise S3 est lancée (le PPI de reprise S3 est appelé par le DXE IPL).
E1	Exécution du Boot Script S3
E2	Reposter la vidéo
E3	Appel du vecteur d'éveil S3 du système d'exploitation
E4 - E7	Réservé aux futurs codes de progression AMI

Codes d'erreur de reprise S3

E8	Echec de reprise S3
E9	Reprise S3 PPI introuvable
EA	Erreur de script de reprise démarrage S3
EB	Erreur de réveil du système d'exploitation S3
EC - EF	Réservé aux futurs codes d'erreur AMI

Codes de progression de la récupération

F0	Condition de récupération déclenchée par le firmware (récupération automatique)
F1	Condition de récupération déclenchée par l'utilisateur (récupération forcée)
F2	Le processus de récupération est lancé.
F3	L'image de la récupération du firmware est trouvée.
F4	L'image de la récupération du firmware est chargée.
F5 - F7	Réservé aux futurs codes de progression AMI

Codes d'erreur de récupération

F8	La récupération PPI n'est pas disponible.
F9	La capsule de récupération est introuvable.
FA	Capsule de récupération invalide
FB - FF	Réservé aux futurs codes d'erreur AMI

Codes d'état ACPI

Les codes suivants apparaissent après le démarrage et après l'entrée du système d'exploitation en mode ACPI.

01	Le système entre en état de veille S1.
02	Le système entre en état de veille S2.
03	Le système entre en état de veille S3.
04	Le système entre en état de veille S4.
05	Le système entre en état de veille S5.
10	Le système sort de l'état de mode veille S1.
20	Le système sort de l'état de mode veille S2.
30	Le système sort de l'état de mode veille S3.
40	Le système sort de l'état de mode veille S4.
AC	Le système est passé en mode ACPI. Le contrôleur d'interruption est en mode PIC.
AA	Le système est passé en mode ACPI. Le contrôleur d'interruption est en mode APIC.

Température du processeur

00 - 99	Affiche la température du processeur après le démarrage complet du système d'exploitation.
---------	--

Installer OS, Pilotes & Utilitaires

Veillez vous référer au site www.msi.com pour télécharger et mettre à jour les derniers utilitaires et pilotes.

Installer Windows® 10

1. Allumez l'ordinateur.
2. Insérez le disque de Windows® 10 dans le lecteur optique.
3. Appuyez sur le bouton **Restart** du boîtier de l'ordinateur.
4. Appuyez sur la touche **F11** pendant le POST (Power-On Self Test) du système pour entrer dans le menu Boot Menu.
5. Choisissez le lecteur optique du Boot Menu.
6. Appuyez sur n'importe quelle touche lorsqu'apparaît le message **[Press any key to boot from CD or DVD]**.
7. Suivez les instructions à l'écran pour installer Windows® 10.

Installer les pilotes

1. Allumez l'ordinateur sous Windows® 10.
2. Insérez le disque MSI® Driver Disc dans le lecteur optique.
3. Cliquez sur la fenêtre popup **Choisir quoi faire avec ce disque (Select to choose what happens with this disc)**, puis choisissez **Lancer DVDSetup.exe (Run DVDSetup.exe)** pour ouvrir l'outil d'installation. Si vous désactivez la fonction AutoPlay dans le panneau de configuration Windows, vous pouvez quand même exécuter manuellement **DVDSetup.exe** à partir du chemin d'accès depuis la racine du disque de pilotes MSI.
4. L'outil d'installation trouvera et listera tous les pilotes dont vous avez besoin dans **l'onglet Pilotes/Logiciels (Drivers/Software)**.
5. Cliquez sur le bouton **Installer (Install)** dans le coin inférieur droit de la fenêtre.
6. L'installation des pilotes commence. Une fois terminée, il vous sera demandé de redémarrer.
7. Cliquez sur le bouton **OK** pour terminer.
8. Redémarrez votre ordinateur.

Installer les utilitaires

Avant d'installer les utilitaires, il faut compléter l'installation des pilotes.

1. Ouvrez l'outil d'installation comme décrit ci-dessus.
2. Cliquez sur l'onglet **Utilities**.
3. Choisissez les utilitaires que vous voulez installer.
4. Cliquez sur le bouton **Installer (Install)** dans le coin inférieur droit de la fenêtre.
5. L'installation des utilitaires commence. Une fois terminée, il vous sera demandé de redémarrer.
6. Cliquez sur le bouton **OK** pour terminer.
7. Redémarrez votre ordinateur.

Configuration du BIOS

Les réglages par défaut fournissent une performance optimale pour la stabilité du système en conditions normales. Veuillez à **toujours garder les réglages par défaut** pour éviter d'endommager le système ou tout problème au démarrage, sauf si vous êtes familier avec le BIOS.



Important

- Le BIOS est constamment mis à jour afin d'offrir de meilleures performances système. Par conséquent, la description peut différer selon la version de BIOS utilisée et n'est donc donnée qu'à titre de référence. Vous pouvez aussi vous référer à l'onglet **Help (Aide)** pour obtenir la description des fonctions du BIOS.
- Les photos ne sont données qu'à titre de référence et peuvent varier selon le produit que vous achetez.

Entrer dans l'interface Setup du BIOS

Pour entrer dans l'interface Setup du BIOS, vous pouvez suivre ces deux méthodes :

- Pendant le démarrage, lorsqu'apparaît le message "**Press DEL key to enter Setup Menu, F11 to enter Boot Menu**" sur l'écran, veuillez appuyer sur la touche **Suppr.**
- Quand l'ordinateur est déjà en marche, vous pouvez utiliser l'application **MSI DRAGON CENTER**. Cliquez sur le bouton **G02BIOS** puis sur **OK**. Le système redémarre et entre dans l'interface Setup du BIOS.

Touches de fonction

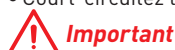
- F1:** Aide générale
- F2:** Ajouter ou supprimer un élément favori
- F3:** Entrer dans le menu Favoris
- F4:** Entrer dans le menu de réglages du processeur
- F5:** Entrer dans le menu Memory-Z
- F6:** Charger les réglages par défaut
- F7:** Alternner entre le mode avancé et le mode simplifié
- F8:** Charger le profil d'overclocking
- F9:** Sauvegarder le profil d'overclocking
- F10:** Sauvegarder les modifications et réglages*
- F12:** Prendre une capture d'écran et la conserver dans le lecteur flash USB (au format FAT/ FAT32 uniquement).
- Ctrl+F:** Entrer dans la page de recherche

* Lorsque vous appuyez sur F10, une fenêtre de confirmation apparaît et fournit l'information de modification. Choisissez entre Oui et Non pour confirmer.

Réinitialiser le BIOS

Il se peut que vous ayez besoin de récupérer les réglages BIOS par défaut pour résoudre des problèmes. Pour réinitialiser les réglages du BIOS, veuillez suivre l'une des méthodes suivantes :

- Allez dans le Setup du BIOS et appuyez sur **F6** pour charger les réglages par défaut.
- Court-circuitez le cavalier **Clear CMOS** sur la carte mère.



*Assurez-vous que l'ordinateur est éteint avant d'effacer les données CMOS. Veuillez vous référer à la section cavalier **Clear CMOS** pour en savoir plus sur la réinitialisation du BIOS.*

Mettre le BIOS à jour

Mettre le BIOS à jour avec M-FLASH

Avant la mise à jour :

Veuillez télécharger la dernière version de BIOS compatible à votre carte mère sur le site MSI. Ensuite, veuillez sauvegarder le nouveau BIOS sur le lecteur flash USB.

Mettre le BIOS à jour :

1. Connectez le lecteur Flash USB contenant le profil à le port USB.
2. Veuillez vous référer aux méthodes suivantes pour passer en mode flash.
 - Redémarrez et appuyez sur la touche **Ctrl + F5** pendant le processus de POST et cliquez sur **Yes (Oui)** pour redémarrer le système.
 - Redémarrez et appuyez sur la touche **Del** pendant le processus de POST pour entrer dans l'interface du BIOS. Cliquez le bouton **M-FLASH** et cliquez sur **Yes (Oui)** pour redémarrer le système.
3. Choisissez un profil BIOS pour commencer la mise à jour du BIOS.
4. Lorsque vous y êtes invité, accédez au BIOS ROM voulu avec le **commutateur Multi-BIOS**, puis cliquez sur Yes (Oui) pour lancer la restauration du BIOS.
5. Une fois la mise à jour terminée, le système redémarrera automatiquement.

Mettre le BIOS à jour avec MSI DRAGON CENTER

Avant la mise à jour :

Assurez-vous que le lecteur LAN est bien installé et que l'ordinateur est correctement connecté à internet.

Mettre le BIOS à jour :

1. Installez et lancez MSI DRAGON CENTER.
2. Choisissez **BIOS Update (Mettre le BIOS à jour)**.
3. Cliquez sur le bouton **Scan**.
4. Cliquez sur l'icône **Download** pour télécharger et installer la dernière version du BIOS.
5. Cliquez sur **Next (Suivant)** et choisissez le mode **In Windows**. Ensuite, cliquez sur **Next (Suivant)** et **Start (Commencer)** pour lancer la mise à jour du BIOS.
6. Une fois la mise à jour terminée, le système redémarrera automatiquement.

Mettre le BIOS à jour avec BIOS FLASHBACK+

Avant la mise à jour :

Veillez télécharger la dernière version du BIOS compatible à votre carte mère sur le site MSI et renommer le BIOS en **MSI.ROM**. Ensuite, veuillez sauvegarder le profil **MSI.ROM** sur le répertoire racine du lecteur flash USB.



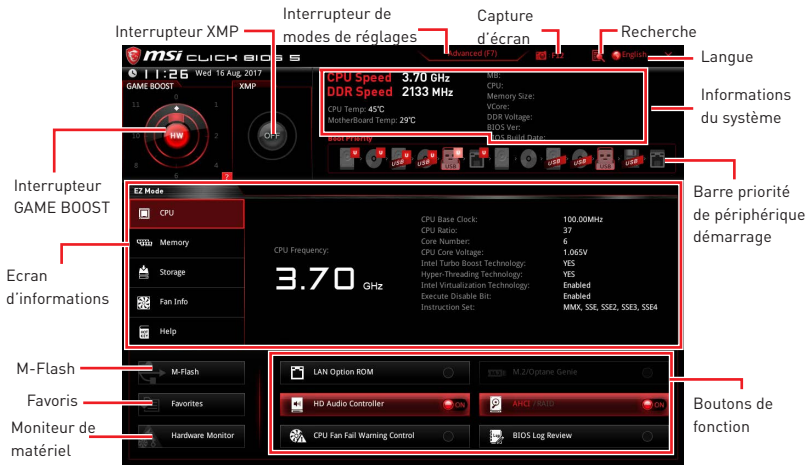
Important

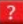
*Seul un lecteur flash USB au format FAT32 supporte la mise à jour du BIOS avec **BIOS FLASHBACK+**.*

1. Connectez l'alimentation aux connecteurs **CPU_PWR1** et **ATX_PWR1**. (ici, seul le module d'alimentation est nécessaire)
2. Branchez le lecteur flash USB contenant le fichier MSI.ROM au port **BIOS FLASHBACK+** situé sur le panneau arrière Entrée/ Sortie.
3. Appuyez sur le bouton BIOS FLASHBACK+ pour activer le BIOS. L'indicateur du bouton **BIOS FLASHBACK+** commence à clignoter.
4. Une fois la mise à jour terminée, l'indicateur du bouton s'éteint simultanément.

EZ Mode (mode simplifié)

Le mode EZ vous fournit les informations basiques du système et vous permet de configurer les réglages de base. Si vous souhaitez configurer les réglages du BIOS, veuillez utiliser le mode Advanced en appuyant sur le **switch Setup Mode (Interrupteur de modes de réglages)** ou la touche de fonction **F7**.



• **GAME BOOST switch** - cliquez sur le cercle central pour commuter **GAME BOOST** entre **contrôle logiciel (SW)** et **contrôle matériel (HW)**. Le cercle intérieur représente le contrôle matériel et le cercle extérieur symbolise le contrôle logiciel. Vous pouvez connaître la fréquence du processeur pour chaque niveau en mode GAME Boost en cliquant sur l'icône  situé dans le coin en bas à droite de la fenêtre.

Important

Après l'activation de la fonction **GAME BOOST**, il est conseillé de ne faire aucune modification dans menu OC et de ne pas charger les réglages par défauts pour conserver des performances optimales et une bonne stabilité du système.

• **Interrupteur XMP** - cliquez sur le cercle intérieur pour activer ou désactiver le profil XMP (Extreme Memory Profile). Cliquez sur le cercle extérieur pour choisir le profil XMP. Cet interrupteur est seulement disponible si le profil XMP supporte le module de mémoire installé.

• **Interrupteur de modes de réglages** - appuyez sur ce menu ou la touche **F7** pour commuter entre le mode avancé et le mode simplifié.

• **Capture d'écran** - appuyez sur ce menu ou sur la touche **F12** pour prendre une capture d'écran et la conserver dans le lecteur flash USB (lecteur flash USB au format FAT ou FAT32 uniquement).

• **Recherche** - cliquez sur cet onglet ou sur les touches **Ctrl+F** pour faire apparaître la page de recherche. Cette page vous permet de faire des recherche en utilisant les noms des éléments du BIOS. Entrez le nom de l'élément et vous le trouverez ensuite dans la liste qui s'affichera alors. Déplacez la souris sur un espace vierge et faites un clic droit pour quitter la page de recherche.

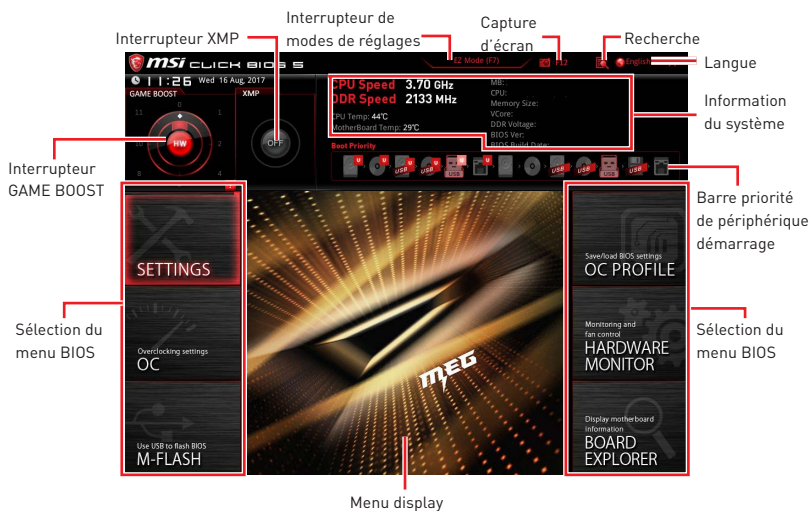
Important

Dans la page de recherche, seules les touches de fonction **F6, F10 et F12** sont disponibles.

- **Langue** - vous permet de choisir la langue du BIOS.
- **Informations du système** - montre la vitesse et la tension du processeur et de la mémoire, la température du processeur et de la carte mère, le type de carte mère et de processeur, la capacité mémoire, la version du BIOS et la date d'installation.
- **Barre priorité de périphérique démarrage** - vous pouvez déplacer les icônes dédiés aux périphériques pour modifier la priorité au démarrage. Le sens de la priorité va de gauche à droite.
- **Ecran d'informations** - cliquez sur les boutons **CPU (Processeur)**, **Memory (Mémoire)**, **Storage (Stockage)**, **Fan Info (Info ventilateurs)** et **Help (Aide)** à gauche de la fenêtre pour obtenir les informations respectives.
- **Boutons de fonction** - en cliquant sur leur bouton respectif, vous pourrez activer les fonctions **LAN Option ROM**, **M.2/Optane Genie**, **Hardcore Mode**, **AHCI**, **RAID**, **CPU Fan Fail Warning Control** et **BIOS Log Review**.
- **M-Flash** - cliquez sur ce bouton pour faire apparaître le menu **M-Flash** qui fournit la méthode de mise à jour BIOS à l'aide d'un disque flash USB.
- **Moniteur de matériel** - cliquez sur ce bouton pour faire apparaître le menu **Moniteur de matériel** qui vous permet de contrôler manuellement la vitesse des ventilateurs.
- **Favoris** - appuyez sur l'onglet **Favoris** ou appuyez sur la touche **F3** pour entrer dans le menu **Favoris**. Il vous permet de créer un menu BIOS personnalisé où vous pourrez sauvegarder et accéder à vos réglages favoris ou fréquemment utilisés.
 - **Default Homepage (page d'accueil par défaut)** - vous permet de choisir l'un des menus du BIOS (par exemple, Réglages, OC, etc.) comme page d'accueil.
 - **Favorite 1 ~ 5 (Favoris 1 ~ 5)** - vous permettent d'afficher les menus de réglages BIOS fréquemment utilisés ou les favoris sur une seule page.
 - **Ajouter les menus BIOS sur une seule page des favoris (Favoris 1~5)**
 1. Déplacez la souris sur un élément du BIOS, pas seulement dans le menu du BIOS mais également sur la page de recherche.
 2. Faites un clic droit ou appuyez sur la touche **F2**.
 3. Choisissez une page de favoris et cliquez sur **OK**.
 - **Supprimer un paramètre du BIOS de la page des favoris**
 1. Déplacez la souris sur un élément du BIOS sur la page des favoris (Favoris 1~5).
 2. Faites un clic droit ou appuyez sur la touche **F2**.
 3. Choisissez **Delete (Effacer)** et cliquez sur **OK**.

Advanced Mode (mode avancé)

Appuyez sur le **Setup Mode switch (interrupteur de modes de réglages)** ou sur la touche de fonction **F7** pour commuter entre le mode simplifié et le mode avancé.



• **Interrupteur GAME BOOST/ Interrupteur XMP/ Interrupteur de modes de réglages/ Capture d'écran/ Favoris/ Langue/ Information du système/ Barre priorité de périphérique démarrage** - veuillez vous référer à la partie EZ mode pour plus de précision.

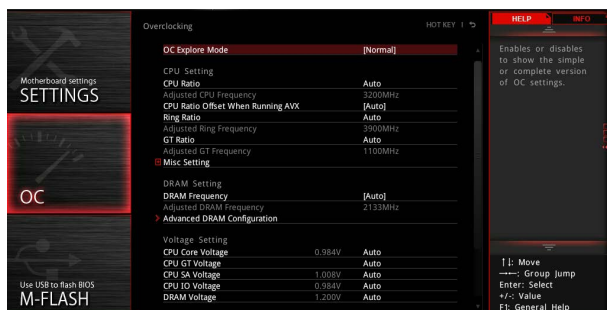
• **Sélection du menu BIOS** - les options suivantes sont disponibles :

- **SETTINGS (Réglages)** - permet de personnaliser les paramètres du chipset et du démarrage des périphériques.
- **OC** - permet d'ajuster la fréquence et la tension. L'augmentation de la fréquence peut améliorer les performances.
- **M-FLASH** - permet de mettre le BIOS à jour avec un lecteur flash USB.
- **OC PROFILE** - permet de gérer les profils d'overclocking.
- **HARDWARE MONITOR (Moniteur de matériel)** - permet de régler la vitesse des ventilateurs et de surveiller la tension du système.
- **BOARD EXPLORER** - fournit des informations sur les périphériques installés sur la carte mère.

• **Ecran de menu** - affiche les menus de réglages BIOS et les informations à configurer.

OC Menu (menu overclocking)

Ce menu est destiné aux utilisateurs avancés souhaitant overclocker leur carte mère.



Important

- L'overclocking manuel du PC n'est recommandé que pour les utilisateurs avancés.
- L'overclocking n'est pas garanti et une mauvaise manipulation peut rendre nulle votre garantie et sévèrement endommager votre matériel.
- Si vous n'êtes pas familier avec l'overclocking, nous vous recommandons d'utiliser **GAME BOOST** pour un overclocking simplifié et plus stable.

► OC Explore Mode [Expert]

Active ou désactive le mode Normal ou Expert des réglages OC.

[Normal] Fournit les réglages OC standards dans les réglages BIOS.

[Expert] Fournit les réglages OC avancés pour les utilisateurs avancés et à configurer dans les réglages BIOS.

Remarque : Nous utilisons le symbole * pour indiquer les réglages OC du mode Expert.

► CPU Ratio Apply Mode [All Core]*

Règle le mode d'application en cours pour le ratio (ou multiplicateur du processeur). Ce menu n'apparaît que si le processeur installé est compatible avec **Turbo Boost**.

[All Core] Active le paramètre **CPU Ratio**. Tous les cœurs du processeur fonctionnent avec le même ratio, paramétré dans **CPU Ratio**.

[Per Core] Active le **Core X X of X xxxx MHz**. Règle le ratio de chaque cœur CPU séparément.

[Turbo Ratio] Active le **X-Core Ratio Limit**. Cette option n'apparaît que si le processeur installé prend cette fonction en charge.

► X-Core Ratio Limit [Auto]*

Permet de définir le ratio du processeur pour différent nombre de cœurs actifs. Ce menu n'apparaît que lorsque **CPU Ratio Apply Mode** est mis en **Turbo Ratio**.

► Adjusted CPU Frequency

Montre la fréquence ajustée du processeur. Fonctionne en lecture seule.

► **Core X X of X xxxx MHz [Auto]***

Permet de définir le ratio du processeur pour différent nombre de coeurs actifs. Ce menu n'apparaît que lorsque **CPU Ratio Apply Mode** est mis en **Per Core**.

► **CPU Ratio Offset When Running AVX [Auto]**

Définit une valeur de décalage pour réduire le ratio du coeur CPU. Cela est utile pour la dissipation de chaleur lors de l'exécution du jeu d'instruction AVX. Mis en Auto, le BIOS configure ce réglages automatiquement. Ce menu apparaît lorsque le processeur installé prend cette fonction en charge.

► **Ring Ratio [Auto]**

Définit le ratio Ring (soit du cache du processeur). La gamme de valeurs valides dépend du processeur installé.

► **Adjusted Ring Frequency**

Montre la fréquence Ring modifiée. Fonctionne en lecture seule.

► **GT Ratio [Auto]**

Règle le ratio de la puce graphique intégrée. La gamme de valeur valides dépend du processeur installé.

► **Adjusted GT Frequency**

Montre la fréquence de la puce graphique intégrée modifiée. Fonctionne en lecture seule.

► **Misc Setting***

Appuyez sur les touches Entrée et + ou - pour ouvrir ou fermer les 3 paramètres suivants, relatifs aux fonctionnalités du processeur.

► **EIST [Enabled]***

Active ou désactive la technologie Enhanced Intel® SpeedStep Technology.

[Enabled] Active la technologie EIST pour ajuster la tension du processeur et de la fréquence du coeur de manière dynamique. Cela diminue la consommation d'énergie et la production de chaleur moyennes.

[Disabled] Désactive EIST.

► **Intel Turbo Boost [Enabled]***

Active ou désactive Intel® Turbo Boost. Ce menu apparaît lorsque le processeur installé prend cette fonction en charge.

[Enabled] Active la fonction d'augmentation automatique des performances du processeur afin de dépasser la limite définie lorsque le système exige un niveau de performances plus élevé.

[Disabled] Désactive cette fonction.

► **Extreme Memory Profile (X.M.P.) [Disabled]**

La technologie d'overclocking X.M.P. (Extreme Memory Profile) permet un overclocking par l'intermédiaire du module de mémoire. Activez la technologie XMP ou sélectionnez un profil de module de mémoire pour overclocker la mémoire. Ce menu est seulement disponible si vous disposez de modules de mémoire prenant en charge la technologie XMP.

► DRAM Reference Clock [Auto]*

Définit la valeur d'horloge de référence de la mémoire. La gamme de valeur valide dépend du processeur installé. Ce menu est seulement disponible si le processeur installé supporte cette fonction.

► DRAM Frequency [Auto]

Définit la fréquence de la mémoire. Veuillez noter que les résultats de l'overclocking ne sont pas garantis.

► Adjusted DRAM Frequency

Affiche la fréquence ajustée de la mémoire. Fonctionne en lecture seule.

► Memory Try It ! [Disabled]

Memory Try It! permet d'améliorer la compatibilité ou les performances en optimisant les pré réglages de la mémoire.

► DRAM Timing Mode [Link]

Choisit le mode de latences mémoire.

[Link] Ceci vous permet de configurer les latences DRAM pour tous les canaux de mémoire.

[UnLink] Ceci vous permet de configurer les latences DRAM pour chaque canal de mémoire.

► Advanced DRAM Configuration

Appuyez sur la touche **Entrée** pour entrer dans le sous-menu. L'utilisateur peut régler la synchronisation de mémoire de chaque barrette de mémoire. Le système peut être instable ou peut ne plus redémarrer après le changement de la synchronisation de la mémoire. Dans ce cas-là, veuillez effacer les données CMOS et remettre les réglages par défaut (référez-vous à la section cavalier/ bouton Clear CMOS pour effacer les données CMOS et entrez ensuite dans le BIOS pour charger les réglages par défaut).

► Memory Fast Boot [Auto]*

Active ou désactive l'initialisation et le test de la mémoire à chaque démarrage.

[Auto] Ce réglage est automatiquement configuré par le BIOS.

[Enabled] La mémoire imitera complètement l'archive de la première initiation et la première formation. La mémoire n'est ensuite plus initialisée ni testée au moment du démarrage, de façon à accélérer le démarrage du système.

[Disabled] La mémoire est initialisée et testée à chaque démarrage.

► CPU Voltages control [Auto]

Permet de définir les tensions relatives au processeur. En mode **Auto**, le BIOS configure ces tensions automatiquement. Vous pouvez également les paramétrer manuellement.

► DRAM Voltages control [Auto]

Permet de définir les tensions relatives à la mémoire. En mode **Auto**, le BIOS configure ces tensions automatiquement. Vous pouvez également les paramétrer manuellement.

► CPU Memory Changed Detect [Enabled]*

Active ou désactive les messages d'alerte système au démarrage suite au remplacement du processeur ou de la mémoire.

[Enabled] Le système montre un message d'alerte pendant le démarrage et vous devez charger les réglages par défaut pour les nouveaux périphériques.

[Disabled] Désactive cette fonction et garde les réglages BIOS actuels.

► CPU Specifications

Appuyez sur la touche **Entrée** pour accéder au sous-menu. Ce sous-menu affiche les caractéristiques du processeur installé. Vous pouvez également accéder à ce sous-menu à tout moment en appuyant sur la touche [F4]. Fonctionne en lecture seule.

► CPU Technology Support

Appuyez sur la touche **Entrée** pour accéder au sous-menu. Ce sous-menu affiche les principales fonctions et technologies prises en charge par le processeur installé. Fonctionne en lecture seule..

► MEMORY-Z

Appuyez sur la touche **Entrée** pour accéder au sous-menu. Ce sous-menu affiche tous les réglages et timings de la mémoire installée. Vous pouvez également accéder à ce sous-menu à tout moment en appuyant sur la touche [F5].

► DIMM1/A2/B1/B2 Memory SPD

Appuyez sur la touche **Entrée** pour accéder au sous-menu. Ce sous-menu affiche les caractéristiques de la mémoire installée. Fonctionne en lecture seule.

► CPU Features

Appuyez sur la touche **Entrée** pour accéder au sous-menu.

► Hyper-Threading [Enabled]

La technologie d'hyper-threading traite chaque cœur processeur comme un processeur logique indépendant doté de ses propres données et permet de les faire fonctionner de manière simultanée. Ainsi, les performances système sont grandement améliorées. Cette fonction ne sera utilisable que si le processeur installé y est compatible.

[Enable] Active la technologie Intel Hyper-Threading.

[Disabled] Désactive la fonction si le système n'y est pas compatible.

► Active Processor Cores Control [All]

Vous permet de choisir le nombre des coeurs actifs.

► Limit CPUID Maximum [Disabled]

Active ou désactive la valeur CPUID maximum.

[Enabled] Le BIOS limite la valeur maximale d'entrée de CPUID pour contourner le problème de démarrage avec un système d'exploitation ne prenant pas en charge le processeur doté d'une valeur CPUID plus élevée.

[Disabled] Utilise la valeur maximale d'entrée de CPUID actuelle.

► Intel Virtualization Tech [Enabled]

Active ou désactive la technologie Intel Virtualization.

[Enabled] Active la technologie Intel Virtualization et autoriser une plate-forme visant à faire fonctionner plusieurs systèmes d'exploitation dans des partitions indépendantes. Le système peut fonctionner virtuellement comme des systèmes multiples.

[Disabled] Désactive cette fonction.

► Intel VT-D Tech [Disabled]

Active ou désactive la technologie Intel VT-D (Intel Virtualization for Direct I/O).

► Hardware Prefetcher [Enabled]

Active ou désactive le prefetcher matériel (MLC Streamer prefetcher).

[Enabled] Permet au prefetcher matériel d'acquérir automatiquement les données et les instructions dans le cache L2 de la mémoire pour ajuster les performances du processeur.

[Disabled] Désactive le prefetcher matériel.

► Adjacent Cache Line Prefetch [Enabled]

Active ou désactive le prefetcher matériel du processeur (MLC Spatial prefetcher).

[Enabled] Active le prefetcher de la ligne de cache adjacente pour réduire le temps de latence et ajuster les performances dans l'application spécifique.

[Disabled] Active seulement la ligne de cache exigée.

► CPU AES Instructions [Enabled]

Active ou désactive le support CPU AES (Advanced Encryption Standard-New Instructions). Ce menu apparaît si le processeur prend cette fonction en charge.

► Intel Adaptive Thermal Monitor [Enabled]

Active ou désactive la fonction de régulation adaptative de la température du moniteur Intel pour protéger le processeur contre la surchauffe.

[Enabled] Ralentit l'horloge du cœur processeur lorsque sa température dépasse la température du régulateur adaptatif.

[Disabled] Désactive cette fonction.

► Intel C-State [Auto]

Activez ou désactivez Intel C-state. Intel C-state est une technologie de gestion d'alimentation du processeur définie par l'interface ACPI.

[Auto] Ce réglage est configuré automatiquement par le BIOS.

[Enabled] Détecte quand le système est inactif et réduit en conséquence la consommation d'énergie du processeur.

[Disabled] Désactive cette fonction.

► C1E Support [Disabled]

Active ou désactive la fonction C1E pensée pour économiser l'énergie. En effet, le système d'exploitation envoie une requête au processeur pour le forcer à s'arrêter. Ce menu apparaît lorsque **Intel C-State** est activé.

[Enabled] Active la fonction C1E pour réduire la fréquence et la tension du processeur et visant à économiser l'énergie quand le système est éteint.

[Disabled] Désactive cette fonction.

► Package C State limit [Auto]

Ce menu permet de choisir un mode C-state du processeur pour économiser l'énergie lorsque le système est en veille. Ce menu apparaît lorsque la fonction **Intel C-State** est activée.

► **CFG Lock [Enabled]**

Verrouille ou déverrouille la fonction MSR 0xE2[15], CFG lock bit.

[Enabled] Verrouille le CFG lock bit.

[Disabled] Déverrouille le CFG lock bit.

► **Long Duration Power Limit (W) [Auto]**

Définit le niveau d'alimentation maximum que le TDP (enveloppe thermique) du processeur peut supporter sur une longue période et en mode Turbo Boost.

► **Long Duration Maintained (s) [Auto]**

Définit la durée d'utilisation de la fonction Long Duration Power Limit (W).

► **Short Duration Power Limit (W) [Auto]**

Définit le niveau d'alimentation maximum que le TDP (enveloppe thermique) du processeur peut supporter sur une courte période et en mode Turbo Boost.

► **CPU Current Limit (A) [Auto]**

Définit le niveau d'alimentation maximum du package du processeur en mode Turbo Boost. Lorsque cette valeur est supérieure à une valeur définie, le processeur réduit automatiquement la fréquence du cœur pour réduire la consommation d'énergie.

► **FCLK Frequency [Auto]**

Définit la fréquence du signal d'horloge pour mettre sous en tension tôt. Une fréquence FCLK réduite peut vous aider à conserver une fréquence de base élevée.

► **DMI Link Speed [Auto]**

Définit la vitesse de l'interface DMI (Direct Media Interface), qui relie la partie Northbridge de la carte à la partie Southbridge.

► **SW Guard Extensions (SGX) [Software Control]**

Active ou désactive Intel SGX.

Содержание

Безопасное использование продукции.....	3
Технические характеристики	4
Технические характеристики разъема JCORSAIR1	10
Комплект поставки.....	11
Задняя панель портов ввода/ вывода	12
Таблица состояний индикатора порта LAN	12
Конфигурация портов Аудио.....	12
Realtek Audio Console	13
Установка антенн	15
Компоненты материнской платы.....	16
Процессорный сокет	17
Слоты DIMM	18
PCI_E1~5: Слоты расширения PCIe.....	19
PEGSW1: Переключатель PCIe CeaseFire	20
U2_1: Разъем U.2	22
M2_1~3: Разъемы M.2 (Ключ M).....	23
Разъемы для замера напряжения V-Check Points	25
Установка M.2 Xpander-Z	26
SATA1~6: Разъемы SATA 6Гб/с	27
JFP1, JFP2: Разъемы передней панели	29
JAUD1: Разъем аудио передней панели.....	29
CPU_PWR1~2, ATX_PWR1, PCIE_PWR1: Разъемы питания.....	30
OC1: Кнопка GAME BOOST	31
JBLK_U1, JRATIO_U1: Разъем увеличения базовой частоты, Разъем увеличения множителя	32
OC_FS1: OC Кнопка принудительного входа в BIOS	32
OC_RT2: Разъем OC Retry	32
T_SEN1~2: Разъемы датчика температуры.....	33
JSLow1: Джампер режима медленной загрузки.....	33
CPU_FAN1, PUMP_FAN1, SYS_FAN1~8: Разъемы вентиляторов.....	34
W_FLOW1: Разъем датчика скорости потока охлаждающей жидкости ..	35
JUSB1~2: Разъемы USB 3.1 Gen2 Type-C	35
JUSB3~4: Разъемы USB 3.1 Gen1	36
JUSB5~6: Разъемы USB 2.0.....	37
POWER1, RESET1: Кнопка питания, Кнопка перезагрузки	38
JBAT1: Джампер очистки данных CMOS (Сброс BIOS)	38
JCI1: Разъем датчика открытия корпуса	39
BIOS_SW1: Переключатель Multi-BIOS	40

JRGB1, JRAINBOW1~2: Разъемы RGB LED	41
JCORSAIR1: Разъем CORSAIR	42
Инфодисплей.....	43
Таблица состояний Инфодисплей.....	43
Встроенные индикаторы.....	44
Индикаторы отладки EZ.....	44
Индикаторы DIMM	44
Индикаторы вентикатора	44
Индикаторы Multi-BIOS.....	45
Индикатор XMP	45
JPWRLED1: Индикатор подключения питания.....	45
Индикатор отладочных кодов	46
Таблица шестнадцатиричных символов.....	46
Фазы загрузки.....	46
Таблица отладочных кодов.....	46
Коды состояний ACPI.....	51
Температура процессора.....	51
Установка ОС, драйверов и утилит	52
Установка Windows® 10.....	52
Установка драйверов	52
Установка утилит	52
Настройка BIOS	53
Вход в настройки BIOS	53
Сброс BIOS	54
Обновление BIOS.....	54
Режим EZ	56
Режим разгона	58
Меню ОС	59

Безопасное использование продукции

- Компоненты, входящие в комплект поставки могут быть повреждены статическим электричеством. Для успешной сборки компьютера, пожалуйста, следуйте указаниям ниже.
- Убедитесь, что все компоненты компьютера подключены должным образом. Ослабленные соединения компонентов могут привести как к сбоям в работе, так и полной неработоспособности компьютера.
- Чтобы избежать повреждений компонентов платы всегда держите ее за края.
- При сборке компьютера рекомендуется пользоваться электростатическим браслетом. В случае, если это невозможно, перед работой с платой снимите электростатический заряд со своего тела, прикоснувшись к металлическому предмету.
- В случае, если материнская плата не установлена в корпус, храните ее в антистатической упаковке или на антистатическом коврик.
- Перед включением компьютера убедитесь, что все винты крепления и другие металлические компоненты на материнской плате и внутри корпуса надежно зафиксированы.
- Не включайте компьютер, если сборка не завершена. Это может привести к повреждению компонентов, а также травмированию пользователя.
- Если вам нужна помощь на любом этапе сборки компьютера, пожалуйста, обратитесь к сертифицированному компьютерному специалисту.
- Всегда выключайте питание и отсоединяйте шнур питания от электрической розетки перед установкой или удалением любого компонента компьютера.
- Сохраните это руководство для справки.
- Не допускайте воздействия на материнскую плату высокой влажности.
- Перед тем как подключить блок питания компьютера к электрической розетке убедитесь, что напряжение электросети соответствует напряжению, указанному на блоке питания.
- Располагайте шнур питания так, чтобы на него не могли наступить люди. Не ставьте на шнур питания никаких предметов.
- Необходимо учитывать все предостережения и предупреждения, указанные на материнской плате.
- При возникновении любой из перечисленных ниже ситуаций обратитесь в сервисный центр для проверки материнской платы:
 - Попадание жидкости внутрь компьютера.
 - Материнская плата подверглась воздействию влаги.
 - Материнская плата не работает должным образом или невозможно наладить ее работу в соответствии с руководством пользователя.
 - Материнская плата получила повреждения при падении.
 - Материнская плата имеет явные признаки повреждения.
- Не храните материнскую плату в местах с температурой выше 60 °C (140 °F), так как это может привести к ее повреждению.

Технические характеристики

Процессор	<p>Поддержка процессоров Intel® Core™ 9000-й серии / Intel® Core™ 8-го поколения / Pentium® Gold / Celeron® для сокета LGA 1151</p> <p>* Пожалуйста, обратитесь www.intel.com для получения дополнительной информации о совместимости.</p>
Чипсет	Intel® Z390
Память	<ul style="list-style-type: none"> • 4x слота памяти DDR4 с поддержкой до 64ГБ* • Поддержка DDR4 4600(OC)/ 4533(OC)/ 4500(OC)/ 4400(OC)/ 4300(OC)/ 4266(OC)/ 4200(OC)/ 4133(OC)/ 4000(OC)/ 3866(OC)/ 3733(OC)/ 3600(OC)/ 3466(OC)/ 3400(OC)/ 3333(OC)/ 3300(OC)/ 3200(OC)/ 3000(OC) /2800(OC)/ 2666/ 2400/ 2133 МГц* • Двухканальная архитектура • Поддержка non-ECC, небуферизованной памяти • Поддержка Intel® Extreme Memory Profile (XMP) <p>* Пожалуйста, обратитесь www.msi.com для получения дополнительной информации о совместимых памяти.</p>
Слоты расширения	<ul style="list-style-type: none"> • 4x слота PCIe 3.0 x16* • 1x слот PCIe 3.0 x1 <p>* Для подробностей см. на стр. 19.</p>
Поддержка Multi-GPU	<ul style="list-style-type: none"> • Поддержка технологии 2-Way NVIDIA® SLI™ • Поддержка технологии 4-Way AMD® CrossFire™
Подключение накопителей	<p>Чипсет Intel® Z390</p> <ul style="list-style-type: none"> • 6x портов SATA 6Гб/с* • 3x разъема M.2 (Ключ M)* <ul style="list-style-type: none"> ▪ Разъемы M2_1 и M2_3 поддерживают PCIe 3.0 x4 и SATA 6Гб/с, накопителей 2242/ 2260/ 2280/ 22110 ▪ Разъем M2_2 поддерживает PCIe 3.0 x4 и SATA 6Гб/с, накопителей 2242/ 2260/ 2280 ▪ Поддержка памяти Intel® Optane™ • 1x порт U.2 * <ul style="list-style-type: none"> ▪ Поддержка накопителей PCIe 3.0 x4 NVMe <p>* Разъем M.2_2, порты U.2 и SATA используют одну полосу пропускания. Для подробностей см. на стр. 27.</p> <p>** Перед использованием модулей памяти Intel® Optane™ убедитесь, что драйверы и BIOS были обновлены до последней версии с веб-сайта MSI.</p>

Продолжение на следующей странице

Продолжение с предыдущей страницы

RAID	<p>Чипсет Intel® Z390</p> <ul style="list-style-type: none">• Поддержка RAID 0, RAID1, RAID 5 и RAID 10 для накопителей SATA• Поддержка RAID 0, RAID 1 и RAID5 для накопителей M.2 PCIe
LAN	<ul style="list-style-type: none">• 2x Гигабитных сетевых контроллера Killer® E2500
Wi-Fi и Bluetooth®	<p>Модуль беспроводной связи на базе чипсета Killer® 1550</p> <ul style="list-style-type: none">• Беспроводной модуль предварительно устанавливается в разъем M2_4 (Key-E).• Поддержка Wi-Fi 2x2 802.11 AC• Поддержка Bluetooth® 4.1, 3.0+HS
USB	<ul style="list-style-type: none">• Контроллер Intel® Z390<ul style="list-style-type: none">▪ 6x портов USB 3.1 Gen2 (SuperSpeed USB 10Гб/с) (1 порт Type-C и 3 порта Type-A на задней панели, 2 внутренних разъема Type-C)▪ 4x порта USB 2.0 (High-speed USB) доступны через внутренние разъемы USB• Контроллер ASMedia® ASM1042<ul style="list-style-type: none">▪ 2x порта USB 3.1 Gen1 (SuperSpeed USB) на задней панели• Контроллер ASMedia® ASM1074<ul style="list-style-type: none">▪ 4x порта USB 3.1 Gen1 (SuperSpeed USB) доступны через внутренние разъемы USB
Аудио	<ul style="list-style-type: none">• 2x Realtek® ALC1220 Codecs<ul style="list-style-type: none">▪ 7.1-канальный High Definition Audio▪ Поддержка S/PDIF output• ESS® E9018 Codec<ul style="list-style-type: none">▪ Поддержка входа позолоченного 6.3-мм разъема для подключения наушников

Продолжение на следующей странице

Продолжение с предыдущей страницы

Разъемы задней панели	<ul style="list-style-type: none">• 1x кнопка BIOS FlashBack• 1x кнопка очистки данных CMOS• 2x разъема антенны Wi-Fi• 1x комбинированный порт PS/2 клавиатуры / мыши• 2x порта USB 3.1 Gen1 Type-A• 2x порта LAN (RJ45)• 3x порта USB 3.1 Gen2 Type-A• 1x порт USB 3.1 Gen2 Type-C• 1x позолоченный 6.3-мм разъем для подключения наушников• 5x аудиоразъемов OFC• 1x оптический разъем S/PDIF OUT
Разъемы на плате	<ul style="list-style-type: none">• 1x 24-контактный разъем питания ATX• 2x 8-контактных разъема питания ATX 12B• 1x 6-контактных разъем питания ATX PCIe• 6x разъемов SATA 6Гб/с• 3x разъема M.2 (Ключ M)• 1x порт U.2• 2x разъема USB 3.1 Gen2 Type-C• 2x разъема USB 3.1 Gen1 (поддержка 4-х дополнительных портов USB 3.1 Gen1)• 2x USB 2.0 connectors (поддержка 4-х дополнительных портов USB 2.0)• 1x 4-контактный разъем вентилятора процессора• 1x 4-контактный разъем Water Pump• 8x 4-контактных разъемов вентилятора системы• 1x 3-контактный разъем датчика скорости потока охлаждающей жидкости• 1x аудиоразъем передней панели• 2x разъема системной панели• 1x разъем датчика открытия корпуса• 2x 2-контактных разъема датчика температуры• 1x 4-контактный разъем RGB LED• 2x 3-контактных разъема RAINBOW LED• 1x 3-контактный разъем CORSAIR LED


Продолжение на следующей странице

Продолжение с предыдущей страницы

Кнопки на плате	<ul style="list-style-type: none">• 1x кнопка GAME BOOST• 1x кнопка OC retry• 1x кнопка OC принудительного входа в BIOS• 1x кнопка питания• 1x кнопка сброса
Разъемы, установленные на плате	<ul style="list-style-type: none">• 1x разъем JBLK_U1, установленный на плате• 1x разъем JRATIO_U1, установленный на плате
Переключатели	<ul style="list-style-type: none">• 1x переключатель Multi-BIOS• 1x переключатель PCIe CeaseFire
Джемпер	<ul style="list-style-type: none">• 1x джемпер медленной загрузки
Индикаторы отладки	<ul style="list-style-type: none">• 1x 2-значный индикатор отладочных кодов• 4x индикатора отладки EZ
Панель отображения	Инфодисплей <ul style="list-style-type: none">• Отображает информации о системе
Контроллер ввода-вывода	NUVOTON NCT6797
Аппаратный мониторинг	<ul style="list-style-type: none">• Определение температуры процессора/системы• Определение скорости вентиляторов процессора/системы• Управление скоростью вентиляторов процессора/системы
Форм-фактор	<ul style="list-style-type: none">• E-ATX Форм-фактор• 12 x 10.7 дюйма (30.5 x 27.2 см)
Параметры BIOS	<ul style="list-style-type: none">• Dual BIOS• 2x 128 Мб флэш• UEFI AMI BIOS• ACPI 6.1, SMBIOS 2.8• Мультиязычный интерфейс

Продолжение на следующей странице

Продолжение с предыдущей страницы

Программное обеспечение	<ul style="list-style-type: none">• Драйверы• DRAGON CENTER• MYSTIC LIGHT• Killer Control Center• Nahimic Audio• CPU-Z MSI GAMING• MSI App Player (BlueStacks)• Intel® Extreme Tuning Utility• Google Chrome™, Google Toolbar, Google Drive• Norton™ Internet Security Solution
Функции Dragon Center	<ul style="list-style-type: none">• GAME OPTIMIZATION• OC Performance• Hardware Monitor• Eyereast• LAN Manager• Live Update  <p>Для подробностей обратитесь http://download.msi.com/manual/mb/DRAGONCENTER2.pdf.</p>
Эксклюзивные функции	<ul style="list-style-type: none">• Аудио<ul style="list-style-type: none">▪ Xtreme Audio DAC▪ Nahimic 3• Сеть<ul style="list-style-type: none">▪ Killer TripleShot▪ GAMING LAN с контроллером Killer LAN Manager▪ Killer WiFi• Накопитель<ul style="list-style-type: none">▪ Turbo U.2▪ Triple Turbo M.2

Продолжение на следующей странице

Продолжение с предыдущей страницы

Эксклюзивные функции

- Вентилятор
 - Pump Fan
 - GAMING Fan Control
- Индикатор
 - Mystic Light 3
 - Mystic Light Extension (RGB)
 - Mystic Light Extension (RAINBOW)
 - Mystic Light Extension (CORSAIR)
 - Mystic Light Sync
 - EZ DEBUG LED
- Защита
 - DDR4 Steel Armor
 - M.2 Shield 3
 - PCIe Steel Armor
 - U.2 Steel Armor
- Производительность
 - Эксклюзивная технология EAC SABER HiFi DAC для высококачественной передачи звука без потери качества
 - Multi GPU-SLI Technology
 - Multi GPU-CrossFire Technology
 - DDR4 Boost
 - GAME Boost
 - Streaming Boost
 - OC Engine
 - Lightning USB
 - Lightning USB на передней панели
 - USB с интерфейсом Type A+C
- Стабильность
 - 7000+ Quality Test

Продолжение на следующей странице

Продолжение с предыдущей страницы

Эксклюзивные функции	• VR
	▪ VR Ready
	▪ Gamer Experience
	▪ GAMING HOTKEY
	▪ GAMING MOUSE Control
	• BIOS
	▪ Click BIOS 5
	▪ BIOS FLASHBACK+
	▪ Dual BIOS
	• Сертификация
	▪ Quadro SLI Ready
	▪ Quadro Ready
	▪ GAMING Certified

Технические характеристики разъема JCORSAIR1

Поддерживаемые продукты CORSAIR RGB	Максимальное количество подключенных устройств
RGB светодиодные полосы Lighting Node PRO	20* * При уровне яркости 20%
Вентиляторы HD 120 с RGB светодиодной подсветкой	6
Вентиляторы SP 120 с RGB светодиодной подсветкой	6
Вентиляторы LL 120 с RGB светодиодной подсветкой	6

Комплект поставки

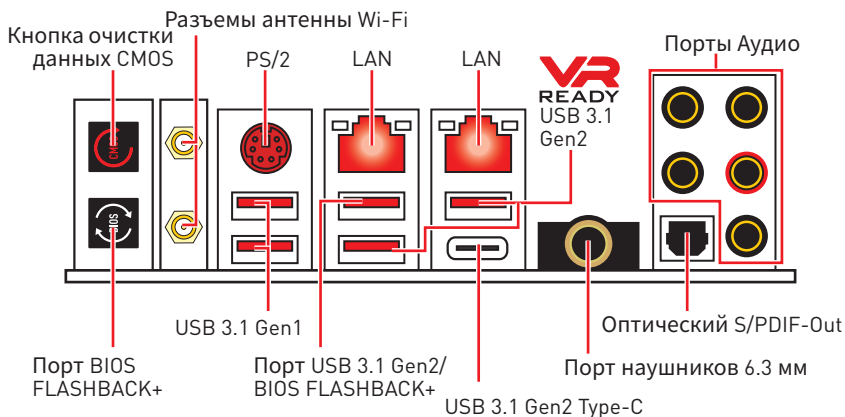
Проверьте комплект поставки материнской платы. В него должны входить следующие элементы:

Материнская плата	MEG Z390 GODLIKE	
Кабели	Кабель SATA 6ГБ/с	6
	Y-образный удлинительный кабель для подключения RGB LED длиной 80 см	1
	Удлинительный кабель для подключения CORSAIR RGB LED длиной 50 см	1
	Удлинительный кабель для подключения RAINBOW RGB LED длиной 80 см	2
	Удлинительный кабель для подключения CORSAIR и RAINBOW RGB LED длиной 10 см	1
	Кабель термистора	2
Аксессуары	Комплект антенны	1
	M.2 Xpander-Z	1
	Streaming Boost	1
	SLI HB BRIDGE L	1
	Аудио адаптеры 6.3 мм	1
	Наклейка с логотипом	1
	Этикетки для маркировки кабелей SATA	1
	VIP-карта	1
Диск с утилитами	Диск с драйверами	1
Документы	Руководство пользователя	1
	Краткое руководство	1
	Руководство по быстрой установке	1

Внимание!

Если какой-либо элемент из комплекта поставки поврежден или отсутствует, пожалуйста, свяжитесь с продавцом.

Задняя панель портов ввода/ вывода



- **Кнопка очистки данных CMOS** - Выключите компьютер. Нажмите и удерживайте кнопку очистки данных CMOS на 5-10 секунд для сброса настройки BIOS по умолчанию.
- **Порт/ Кнопка BIOS FLASHBACK+** - Обратитесь к странице 55 для получения информации о обновлении BIOS при помощи BIOS FLASHBACK+.
- **Порт наушников 6.3 мм** - Предназначен для подключения наушников.

Таблица состояний индикатора порта LAN

Подключение/ Работа индикатора		Скорость передачи данных								
Состояние	Описание									
Выкл.	Не подключен	<table border="1"> <thead> <tr> <th>Состояние</th> <th>Описание</th> </tr> </thead> <tbody> <tr> <td>Выкл.</td> <td>10 Мбит/с подключение</td> </tr> <tr> <td>Зеленый</td> <td>100 Мбит/с подключение</td> </tr> <tr> <td>Оранжевый</td> <td>1 Гбит/с подключение</td> </tr> </tbody> </table>	Состояние	Описание	Выкл.	10 Мбит/с подключение	Зеленый	100 Мбит/с подключение	Оранжевый	1 Гбит/с подключение
Состояние	Описание									
Выкл.	10 Мбит/с подключение									
Зеленый	100 Мбит/с подключение									
Оранжевый	1 Гбит/с подключение									
Желтый	Подключен									
Мигает	Передача данных									

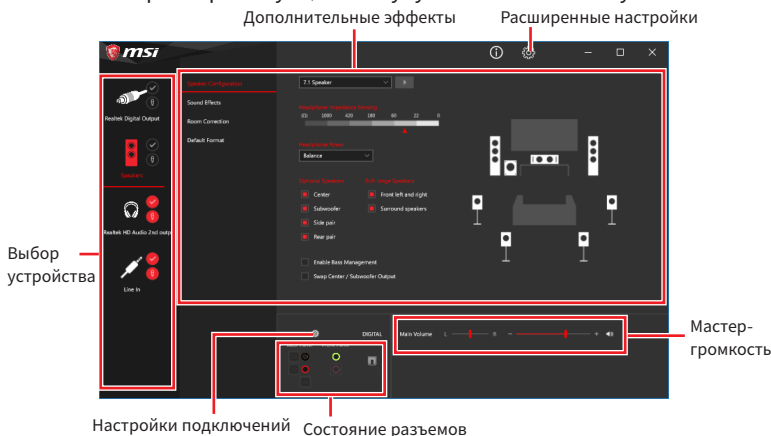
Конфигурация портов Аудио

Порты Аудио	Канал			
	2	4	6	8
Выход центральной колонки/ сабвуфера			●	●
Тыловые колонки		●	●	●
Линейный вход/ Выход боковых колонок				●
Линейный выход/ Выход фронтальных колонок	●	●	●	●
Микрофонный вход				

(●: подключен, Пусто: не подключен)

Realtek Audio Console

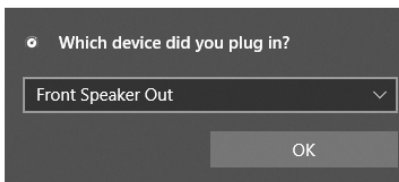
После установки Realtek Audio Console вы можете использовать его для изменения параметров звука, чтобы улучшить качество звука.



- **Выбор устройства** - позволяет выбрать источник аудио выхода и изменить соответствующие параметры. Отмеченное устройство будет использоваться по умолчанию.
- **Дополнительные эффекты** - это список опций по настройке звуковых эффектов для входного и выходного сигнала аудио устройства.
- **Мастер-громкость** - регулирует громкость или баланс правой и левой колонок, подключенных к передней или задней панели.
- **Расширенные настройки** - обеспечивают работу с двумя независимыми потоками аудио.
- **Состояние разъемов** - отображает все устройства воспроизведения и записи, подключенные к компьютеру.
- **Настройки подключений** - настраивают параметры подключения.

Автоматическое всплывающее диалоговое окно

При подключении устройства к разъему аудио появится диалоговое окно с просьбой подтвердить подключенное устройство.

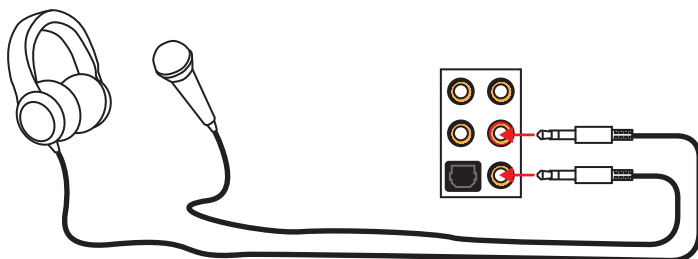


Каждый разъем соответствует его настройкам по умолчанию, как показано на следующей странице

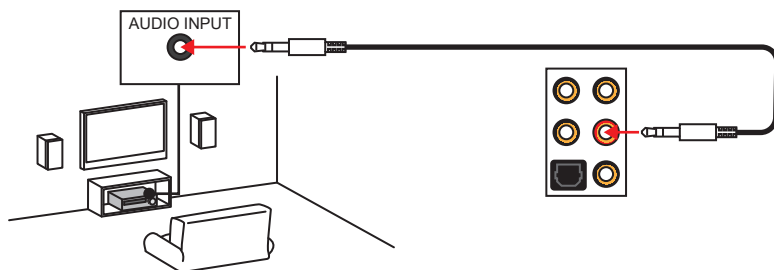


Изображения приведены исключительно в справочных целях и могут отличаться от фактических.

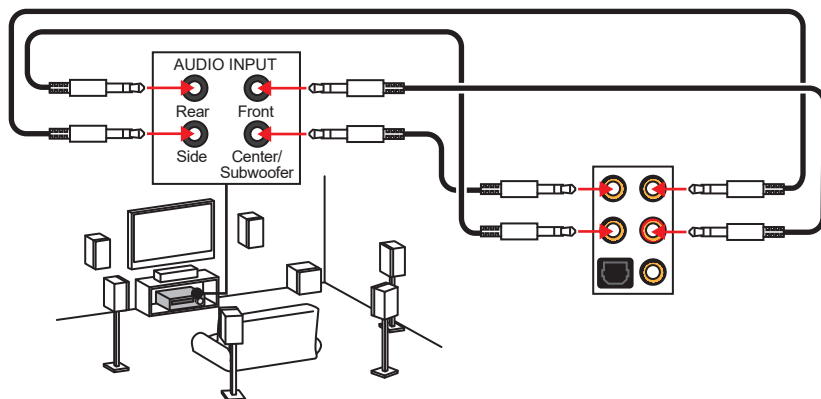
Подключение наушников и микрофона



Подключение внешнего стерео усилителя (колонок)

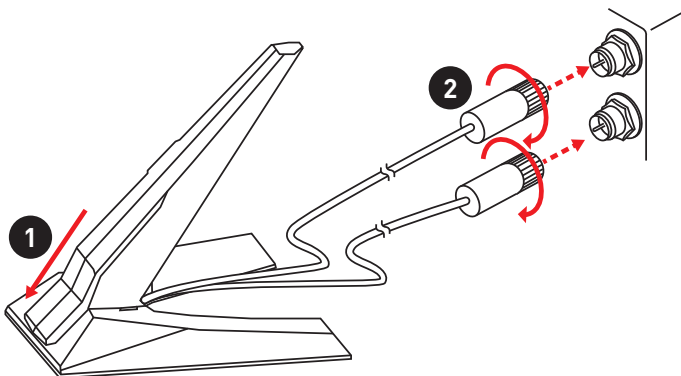


Подключение звуковой системы 7.1

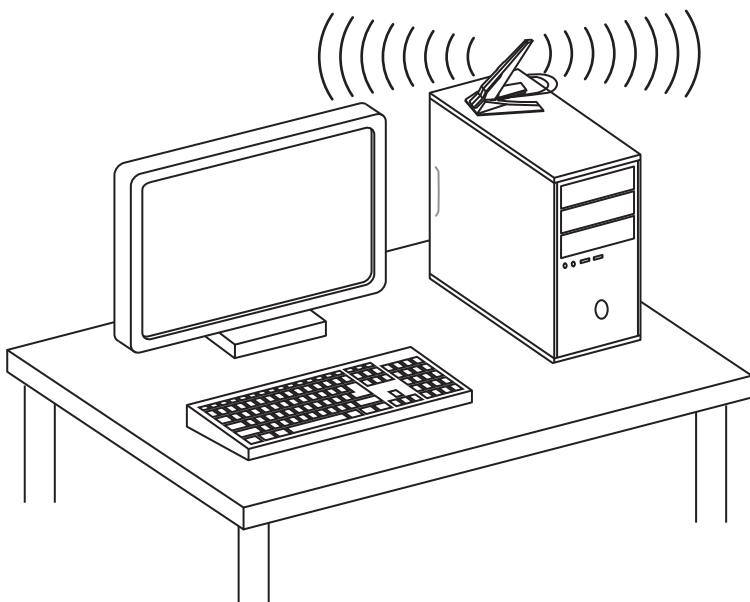


Установка антенн

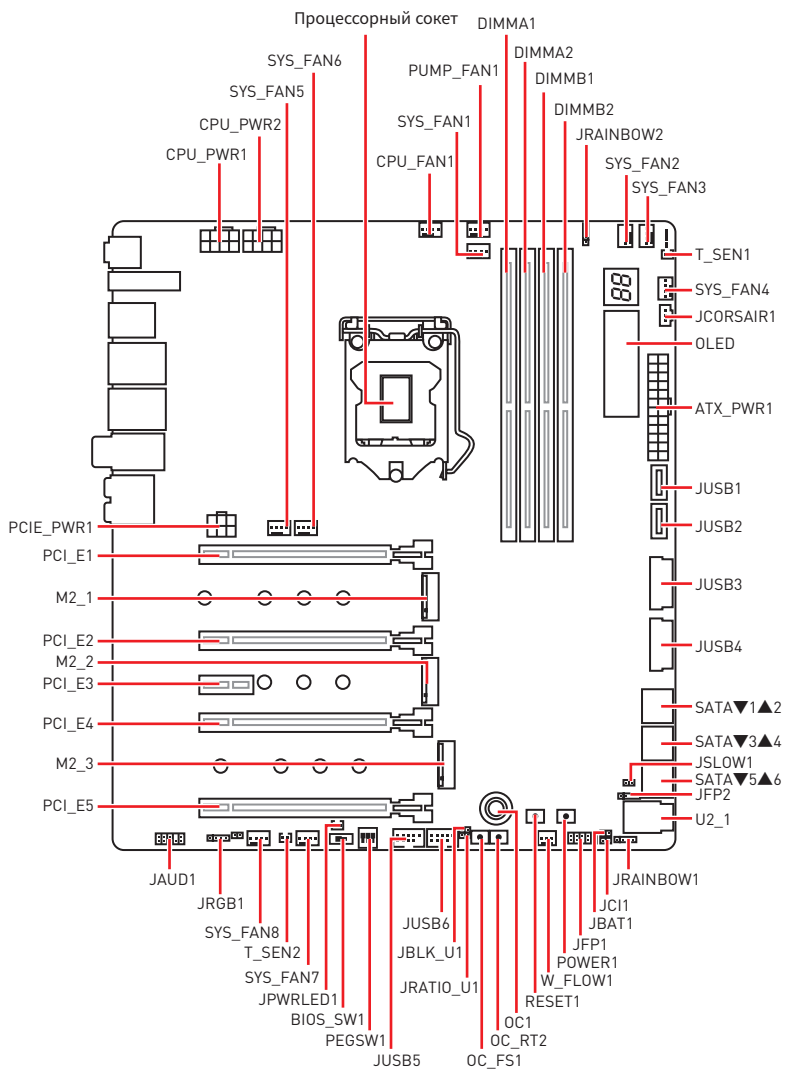
1. Подключите антенны к основанию.
2. Прикрутите две антенны к разъемам антенны WiFi, как показано на рисунке ниже.



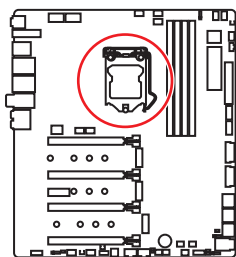
3. Поместите антенны как можно выше.



Компоненты материнской платы



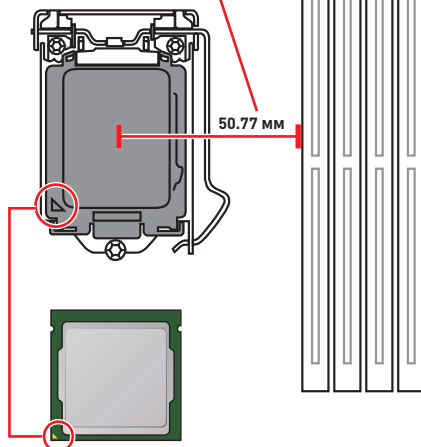
Процессорный socket



Процессор LGA 1151

На поверхности процессора LGA 1151 имеются две **выемки** и **золотой треугольник** для правильной установки процессора относительно процессорного сокета материнской платы. Золотой треугольник указывает на контакт 1.

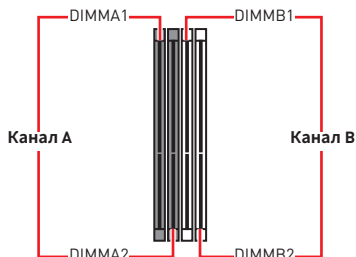
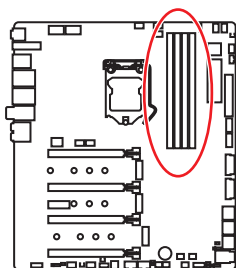
Расстояние от центра процессора до ближайшего слота DIMM.



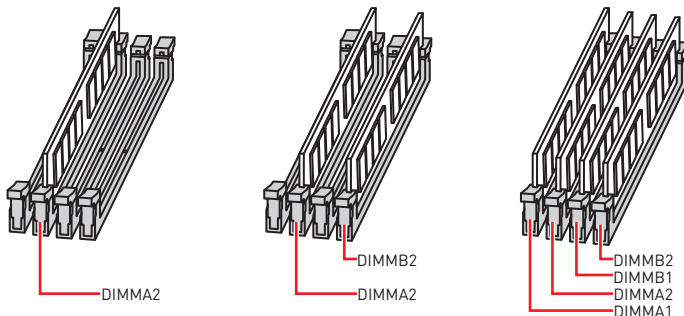
Внимание!

- Перед установкой или заменой процессора, необходимо отключить кабель питания.
- Пожалуйста, сохраните защитную крышку процессорного сокета после установки процессора. Любые возможные гарантийные случаи, связанные с работой материнской платы, MSI® будет рассматривать только, при наличии защитной крышки на процессорном сокете.
- При установке процессора обязательно установите процессорный кулер. Кулер, представляющий собой систему охлаждения процессора, предотвращает перегрев и обеспечивает стабильную работу системы.
- Перед включением системы проверьте герметичность соединения между процессором и радиатором.
- Перегрев может привести к серьезному повреждению процессора и материнской платы. Всегда проверяйте работоспособность вентилятора для защиты процессора от перегрева. При установке кулера нанесите ровный слой термопасты (или термоленту) на крышку установленного процессора для улучшения теплопередачи.
- Если процессор не установлен, всегда защищайте контакты процессорного сокета пластиковой крышкой.
- Если вы приобрели отдельно процессор и процессорный кулер, подробное описание установки см. в документации в данному кулеру.
- Данная системная плата разработана с учетом возможности ее «разгона». Перед выполнением разгона системы убедитесь в том, что все компоненты системы смогут его выдержать. Производитель не рекомендует использовать параметры, выходящие за пределы технических характеристик устройств. Гарантия MSI® не распространяется на повреждения и другие возможные последствия ненадлежащей эксплуатации оборудования.

Слоты DIMM



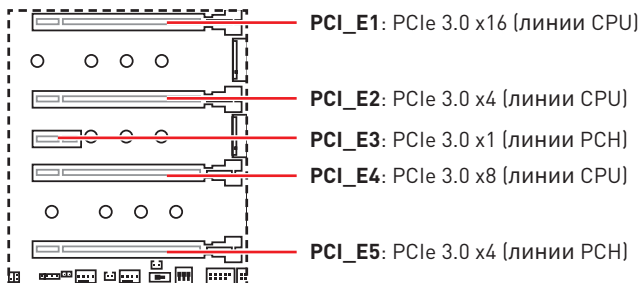
Рекомендации по установке модулей памяти



Внимание!

- Всегда устанавливайте модуль памяти сначала в слот **DIMMA2**.
- В связи со спецификой использования ресурсов чипсета, доступный объем памяти будет немного меньше, чем объем установленный.
- На основе характеристик процессора, рекомендуется устанавливать напряжение на памяти DIMM менее 1.35 В. Это позволит защитить процессор.
- Пожалуйста, обратите внимание на то, что максимальная емкость адресуемой памяти для 32-бит ОС Windows, составляет не более 4 ГБ. Если вы хотите использовать более 4ГБ оперативной памяти на материнской плате, рекомендуется устанавливать 64-бит ОС Windows.
- Некоторые модули памяти при разгоне могут работать на частотах ниже заявленной производителем, поскольку выставляемая для памяти частота зависит от информации, записанной в SPD (Serial Presence Detect). Зайдите в BIOS и выберите опцию **Memory Try It!**, чтобы установить заявленную или более высокую частоту.
- При установке памяти во все слоты, а также при ее разгоне, рекомендуется использовать более эффективную систему охлаждения памяти.
- Совместимость и стабильность работы установленного модуля памяти при разгоне зависит от установленного процессора и других устройств.

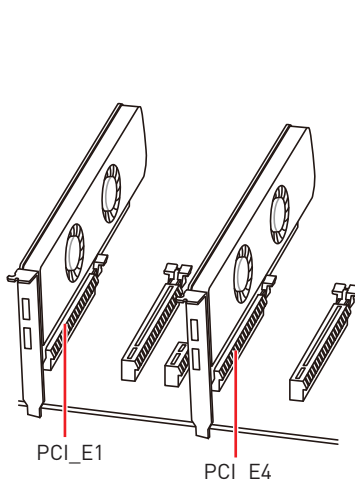
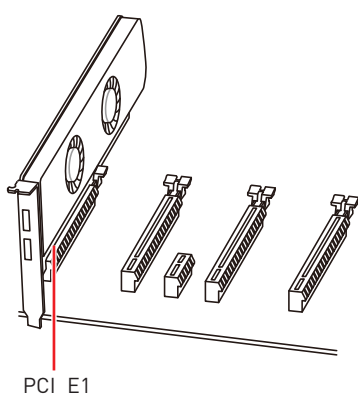
PCI_E1~5: Слоты расширения PCIe

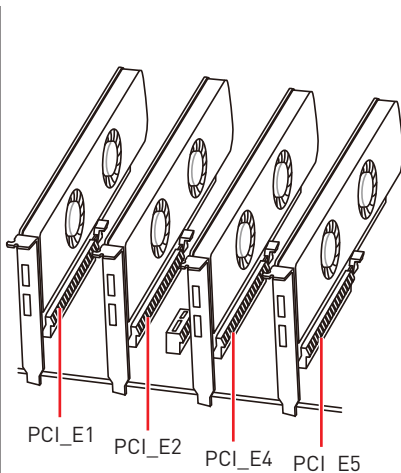
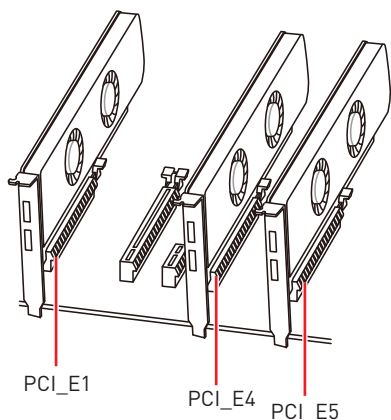


Рекомендации по установке нескольких видеокарт

Видеокарт	Одинарный	2-Way	3-Way*	4-Way*
PCI_E1	⊠ 3.0 x16	⊠ 3.0 x8	⊠ 3.0 x8	⊠ 3.0 x8
PCI_E2	Пусто	Пусто	Пусто	⊠ 3.0 x4
PCI_E3	3.0 x1	3.0 x1	3.0 x1	3.0 x1
PCI_E4	Пусто	⊠ 3.0 x8	⊠ 3.0 x8	⊠ 3.0 x4
PCI_E5	3.0 x4	3.0 x4	⊠ 3.0 x4	⊠ 3.0 x4

(⊠: слот видеокарты, *: только для CrossFire)



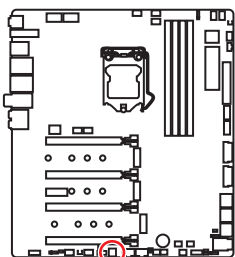


Внимание!

- При установке массивной видеокарты, необходимо использовать такой инструмент, как **MSI Gaming Series Graphics Card Bolster** для поддержки веса графической карты и во избежание деформации слота.
- Для установки одной карты расширения PCIe x16 с оптимальной производительностью рекомендуется использовать слот **PCI_E1**.
- Перед установкой или извлечением плат расширения убедитесь, что кабель питания отключен от электрической сети. Прочтите документацию на карту расширения и выполните необходимые дополнительные аппаратные или программные изменения для данной карты.
- Разъем **M2_3** будет недоступен при установке устройства PCIe в слот **PCI_E5**.

PEGSW1: Переключатель PCIe CeaseFire

Переключатель PCIe CeaseFire позволяет легко и прямо включать/выключать слоты PCIe (с помощью линий CPU).



Slots	ON			ON			ON			ON		
	1	2	3	1	2	3	1	2	3	1	2	3
PCI_E1	✓	✓	✓	✓	—	—	✓	—	—	—	—	—
PCI_E2	✓	—	—	—	—	—	—	—	—	—	—	—
PCI_E4	✓	✓	—	—	—	—	—	—	—	—	—	—

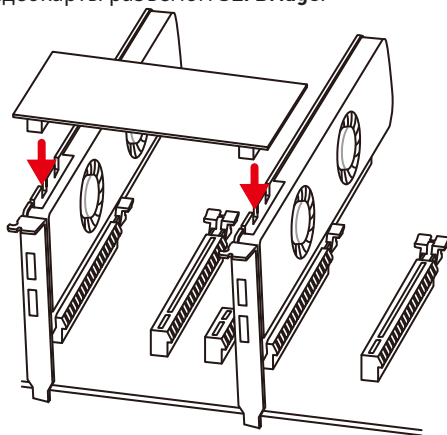
(✓: Включено, —: Выключено)

Установка видеокарт в режиме SLI

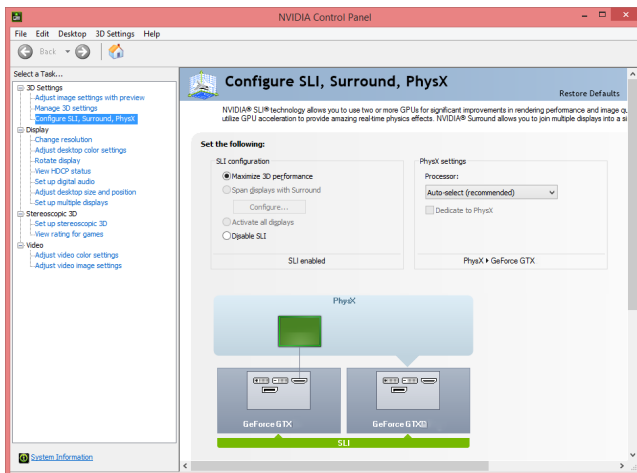
Для выполнения рекомендаций по питанию видеокарт в SLI конфигурациях, пожалуйста, обратитесь к руководству пользователя вашей видеокарты, чтобы убедиться, что она соответствует всем требованиям системы.

Для установки видеокарт в SLI:

1. Выключите компьютер и отсоедините шнур питания. Установите две видеокарты в слот **PCI_E1** и **PCI_E4**.
2. Соедините видеокарты разъемом **SLI Bridge**.

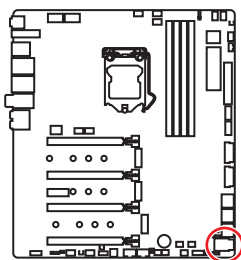


3. Подключите все разъемы питания PCIe видеокарт.
4. Подключите кабель питания, включите компьютер, установите драйверы и программное обеспечение из комплекта поставки видеокарты.
5. Щелкните правой кнопкой мыши на Рабочем столе Windows и выберите **NVIDIA Control Panel** из раскрывшегося меню. Нажмите на **Configure SLI, Surround, PhysX** в левой панели задач и выберите **Maximize 3D performance** в меню конфигурации SLI, а затем нажмите кнопку **Apply**.



U2_1: Разъем U.2

Данный разъем представляет собой U.2 интерфейсный порт. К каждому разъему можно подключить устройства хранения данных NVMe PCIe 3.0 x4.

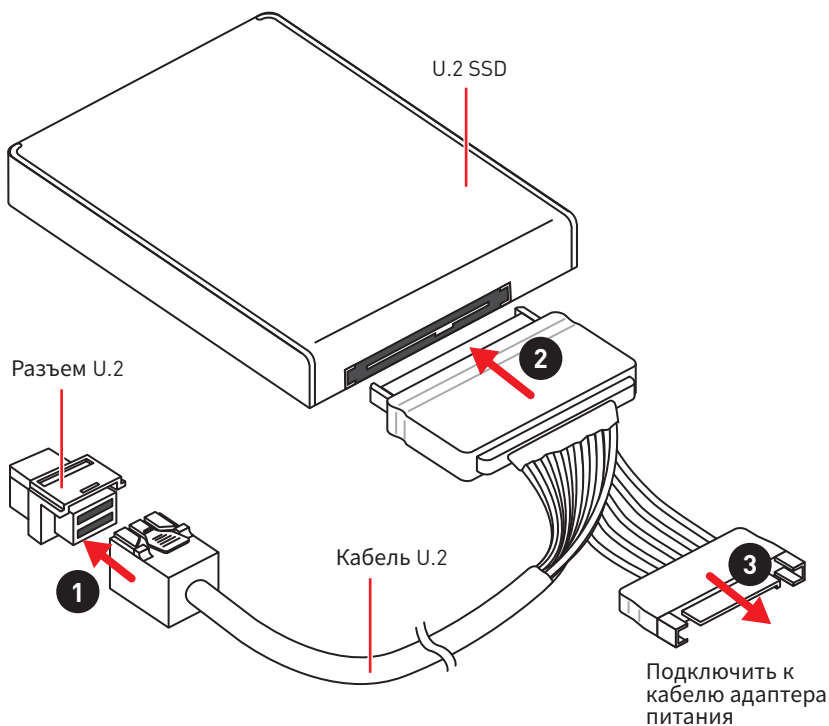


Видео Инструкция

Смотрите видео, чтобы узнать как установить U.2 SSD. <http://youtu.be/KgFvKDхymvw>

Установка U.2 SSD

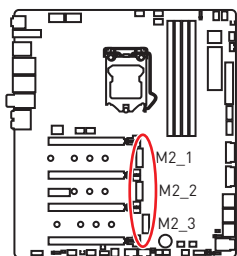
1. Подключите кабель U.2 к разъему U.2 на системной плате.
2. Подключите кабель U.2 к U.2 SSD.
3. Подключите кабель U.2 к кабелю адаптера питания.



Внимание!

Разъемы M2_2, SATA5 и SATA6 будут недоступны при установке устройства U.2 в порт U.2.

M2_1~3: Разъемы M.2 (Ключ M)

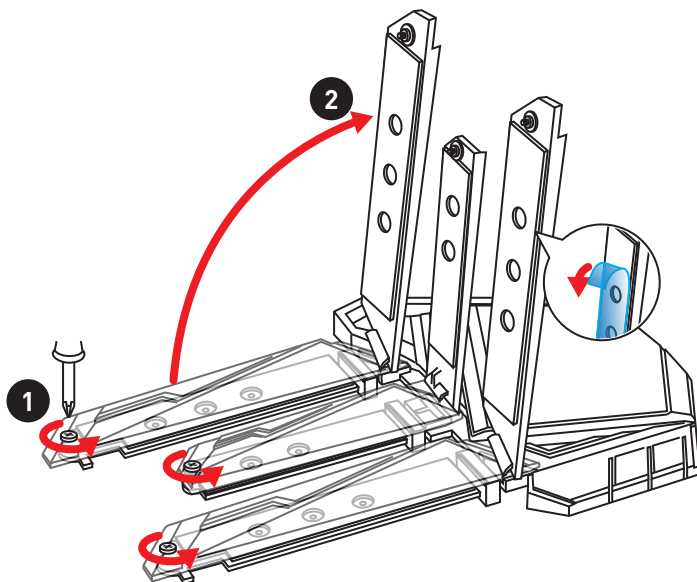


Внимание!

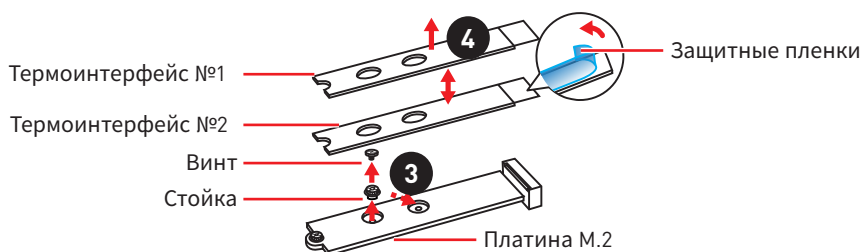
- Intel® RST только поддерживает PCIe M.2 SSD с UEFI ROM.
- Память Intel® Optane™ совместима с любым разъемом M.2.

Установка модуля M.2

1. Удалите винт для M.2 SHIELD FROZR.
2. Поднимите крышу M.2 SHIELD FROZR и снимите защитную пленку с термоинтерфейса.

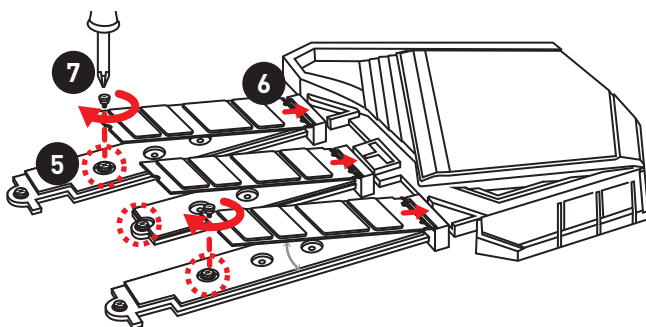


- Каждый разъем M.2 предполагает использование двух стоек с винтами, один из которых предназначен для крепления радиатора M.2 SHIELD FROZR, второй – для крепления модуля M.2 SSD укороченного форм-фактора. Во избежание повреждения модуля M.2 SSD, если модуль M.2 SSD и разъем M.2 имеют одинаковую длину, выкрутите второй винт со стойкой, оставьте только винт и стойку для крепления радиатора M.2 SHIELD FROZR.
- На каждой пластине M.2 имеется два термоинтерфейса. Не удаляйте термоинтерфейс №2, закрепленный на пластине M.2. Для установки двухстороннего модуля M.2 SSD, полностью удалите термоинтерфейс №1 и защитные пленки. Для установки одностороннего модуля M.2 SSD, удалите обе защитные пленки с термоинтерфейса №1, потом снова наклейте его на термоинтерфейс №2.

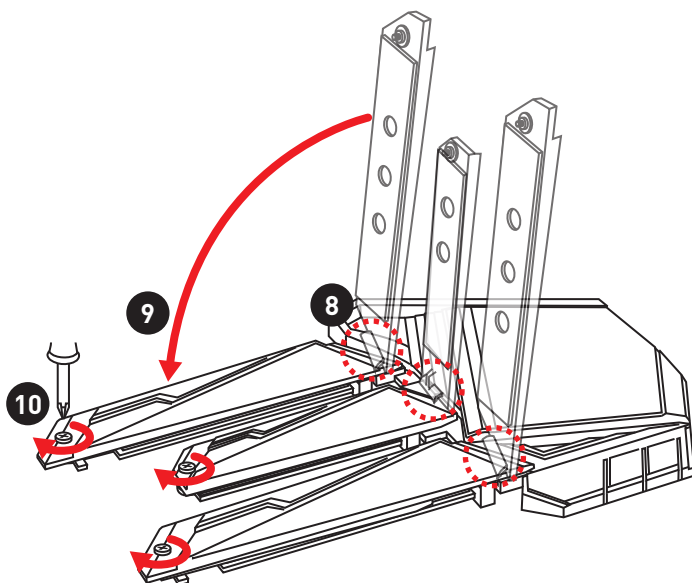


Изображения платы и термоинтерфейсов приведены исключительно в справочных целях и могут отличаться от фактических.

- При необходимости переместите стойки в соответствии с длиной M.2 SSD.
- Вставьте M.2 SSD в разъем M.2 под углом 30 градусов.
- Если модуль M.2 SSD короче, чем радиатор M.2 SHIELD FROZR, совместите винт с выемкой на задней кромке модуля M.2 и закрутите его в стойку.

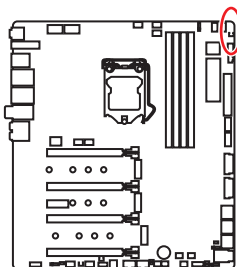


8. Вставьте ось радиатора M.2 SHIELD FROZR в паз.
9. Нажмите на радиатор M.2 SHIELD FROZR вниз.
10. Закрепите радиатор M.2 SHIELD FROZR в стойке.



Разъемы для замера напряжения V-Check Points

Данные разъемы предназначены для измерения текущих значений напряжения на компонентах ПК. Для замера напряжения потребуется мультиметр (приобретается отдельно). Для измерения напряжения подключите один из щупов мультиметра к «ЗЕМЛЕ» (крепежное отверстие для винтов), второй щуп мультиметра подключите к соответствующему контакту разъема для замера напряжения. Дополнительную информацию см. в руководстве по использованию мультиметра.



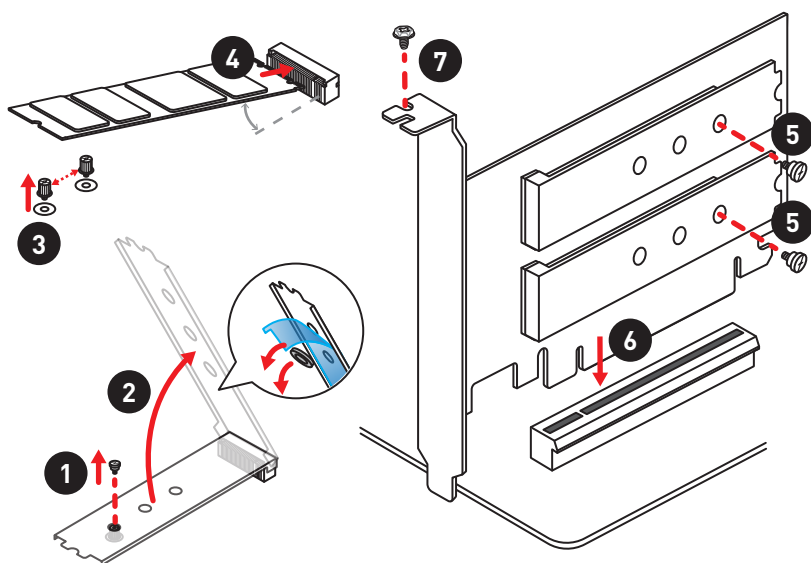
- GND
- CPU
- VCCIO
- VSA
- DRAM
- PCH

Установка M.2 Xpander-Z

На карте M.2 Xpander-Z имеется два слота M.2 Key-M.

Для установки карты M.2 Xpander-Z:

1. Выкрутите винты из стойки.
2. Поднимите M.2 Shield и снимите защитную пленку и круглые прокладки с термоинтерфейса.
3. Переместите стойки в соответствии с длиной M.2 SSD.
4. Вставьте M.2 SSD в разъем M.2 под углом 30 градусов.
5. Нажмите на M.2 SSD и M.2 Shield вниз и закрепите их на стойку.
6. Вставьте M.2 Xpander-Z в слот PCIe (слот PCI_E2 или PCI_E4).
7. Закрепите M.2 Xpander-Z винтом.

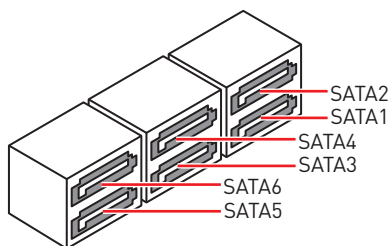
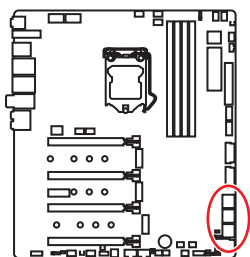


Внимание!

При установке карты Xpander-Z card в слот PCI_E2 слот PCI_E4 будет недоступен, при установке карты Xpander-Z в слот PCI_E4 слот PCI_E2 будет недоступен.

SATA1~6: Разъемы SATA 6Гб/с

Эти разъемы представляют собой интерфейсные порты SATA 6Гб/с. К каждому порту можно подключить одно устройство SATA.



⚠ Внимание!

- Избегайте перегибов кабеля SATA под прямым углом. В противном случае, возможна потеря данных при передаче.
- Кабели SATA оснащены одинаковыми коннекторами с обеих сторон. Однако, для экономии занимаемого пространства к материнской плате рекомендуется подключать плоский разъем.

Рекомендации по установке устройств M.2, SATA и U.2

Слот	Доступные разъемы	
M2_1	PCIe	SATA
SATA1	✓	✓
SATA2	✓	—

U2_1	Пусто			Установлено
M2_2	PCIe	SATA	Пусто	—
SATA5	—	—	✓	—
SATA6	—	✓	✓	—

PCI_E5	Пусто			Установлено
M2_3	PCIe	SATA	Пусто	—
SATA3	✓	—	✓	✓

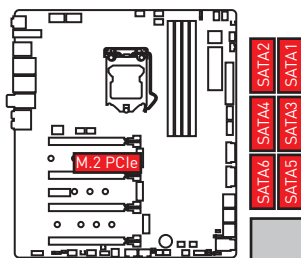
(SATA: M.2 SATA SSD, PCIe: M.2 PCIe SSD, ✓: доступно, —: недоступно)

⚠ Внимание!

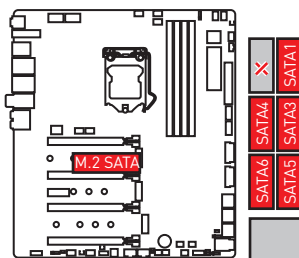
- Разъемы M2_2, SATA5 и SATA6 будет недоступны при установке устройства U.2 в слот U.2.
- Разъем M2_3 будет недоступны при установке устройства PCIe в слот PCI_E5.

Разъемы M.2 и различные возможные примеры использования

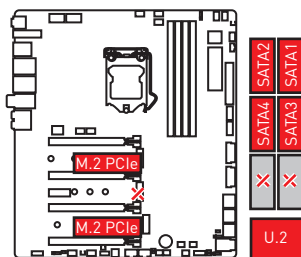
1xM.2 PCIe SSD + 6xSATA HDDs



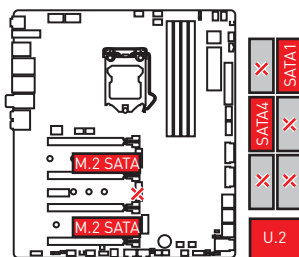
1xM.2 SATA SSD + 5xSATA HDDs



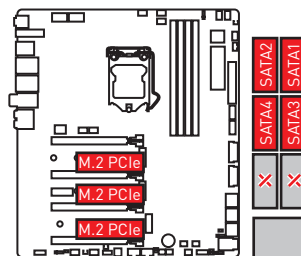
2xM.2 PCIe SSDs + 1x U.2 SSD+ 4xSATA HDDs



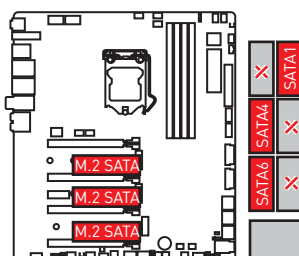
2xM.2 SATA SSDs + 1x U.2 SSD+ 2xSATA HDDs



3xM.2 PCIe SSDs + 4xSATA HDDs

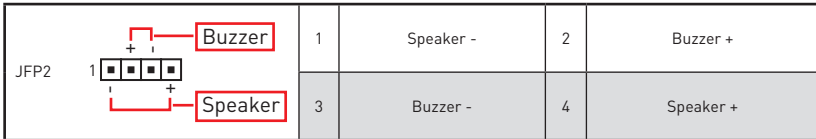
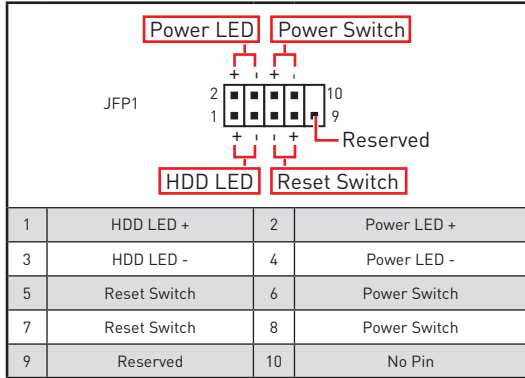
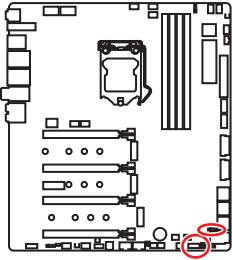


3xM.2 SATA SSDs + 3xSATA HDDs



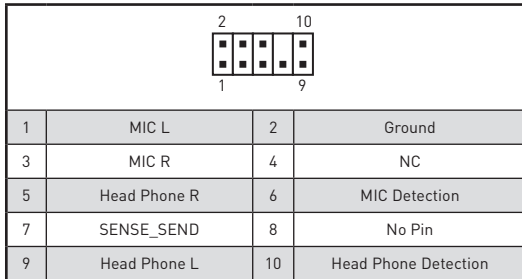
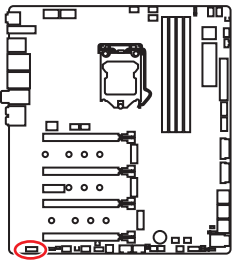
JFP1, JFP2: Разъемы передней панели

Эти разъемы служат для подключения кнопок и светодиодных индикаторов, расположенных на передней панели.



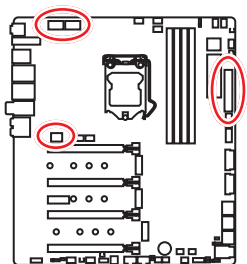
JAUD1: Разъем аудио передней панели

Данный разъем предназначен для подключения аудиоразъемов передней панели.



CPU_PWR1~2, ATX_PWR1, PCIE_PWR1: Разъемы питания

Данные разъемы предназначены для подключения блока питания АТХ.



CPU_PWR1/ CPU_PWR2			
1	Ground	5	+12V
2	Ground	6	+12V
3	Ground	7	+12V
4	Ground	8	+12V

ATX_PWR1			
1	+3.3V	13	+3.3V
2	+3.3V	14	-12V
3	Ground	15	Ground
4	+5V	16	PS-ON#
5	Ground	17	Ground
6	+5V	18	Ground
7	Ground	19	Ground
8	PWR OK	20	Res
9	5VSB	21	+5V
10	+12V	22	+5V
11	+12V	23	+5V
12	+3.3V	24	Ground

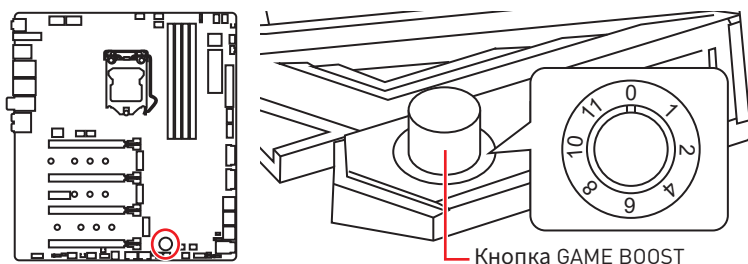
PCIE_PWR1			
1	+12V	4	Ground
2	+12V	5	Ground
3	+12V	6	Ground

Внимание!

Для обеспечения стабильной работы системной платы проверьте надежность подключения всех кабелей питания к блоку питания АТХ.

OC1: Кнопка GAME BOOST

Эта кнопка позволяет вручную выбрать уровень разгона процессора, начиная с уровня 0 (по умолчанию) до уровня 11 (экстремальный). Напряжение и частота процессора будут регулироваться автоматически после включения компьютера.



Использование кнопки GAME BOOST

Для настройки кнопки GAME BOOST, выполните следующие шаги:

1. Установите кнопку GAME BOOST в состояние аппаратного режима в настройках BIOS.
2. Выключите компьютер.
3. Поверните кнопку GAME BOOST для выбора желаемого уровня разгона.

Уровень	Частота процессора			
	i3-8350K	i5-8600K	i7-8700K	i7-8086K
0	GAME BOOST отключен	GAME BOOST отключен	GAME BOOST отключен	GAME BOOST отключен
1	4.1 ГГц	4.2~4.4 ГГц	4.4~4.8 ГГц	4.4~5.1 ГГц
2	4.2 ГГц	4.3~4.5 ГГц	4.5~4.9 ГГц	4.5~5.2 ГГц
4	4.3 ГГц	4.4~4.6 ГГц	4.6~5.0 ГГц	4.6~5.3 ГГц
6	4.4 ГГц	4.5~4.7 ГГц	4.7~5.1 ГГц	4.7~5.4 ГГц
8	4.5 ГГц	4.6~4.8 ГГц	4.8~5.2 ГГц	4.8~5.5 ГГц
10	4.6 ГГц	4.7~4.9 ГГц	4.9~5.3 ГГц	4.9~5.6 ГГц
11	4.7 ГГц	4.8~5.0 ГГц	5.0~5.4 ГГц	5.0~5.7 ГГц

4. Включите компьютер и GAME BOOST будет автоматически разгонять процессор в зависимости от выбранного уровня.

Для отключения GAME BOOST:

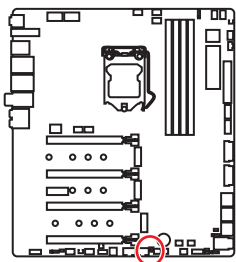
1. Установите кнопку GAME BOOST в режим HW в настройках BIOS.
2. Выключите компьютер.
3. Поверните кнопку GAME BOOST в положение 0 и потом включите компьютер. Параметры конфигурации будут возвращены к своим значениям по умолчанию.

Внимание!

- При включении режим *GAME BOOST* рекомендуется использовать жидкостное охлаждение процессора с двухвентиляторным радиатором для лучшего охлаждения и производительности.
- Вы также можете управлять функцией *GAME BOOST* через **настройки BIOS** или при помощи утилиты **MSI DRAGON CENTER**.
- Для того, чтобы оптимизировать производительность и улучшить стабильность системы, при активации функции *GAME BOOST*, пожалуйста, оставьте настройки в меню **BIOS > OC** без изменения.
- Успешность разгона зависит от компонентов компьютера.
- Мы не гарантируем результаты оверклокинга при использовании функции *GAME BOOST*, а также не несем ответственности за повреждения и риски, вызванные разгоном.
- Для лучшей совместимости при использовании функции *GAME BOOST* рекомендуется использовать компоненты **MSI**.

JBLK_U1, JRATIO_U1: Разъем увеличения базовой частоты, Разъем увеличения множителя

Данные разъемы предназначены для подключения внешних кнопок. Кнопка, подключенная к контакту **JBLK_U1** позволяет увеличить базовую частоту процессора. Кнопка, подключенная к контакту **JRATIO_U1** позволяет увеличить множитель процессора.



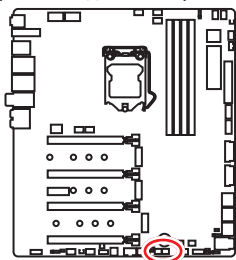
- JBLK_U1** (Замкнуть контакт джампера для увеличения базовой частоты)
- JRATIO_U1** (Замкнуть контакт джампера для увеличения множителя процессора)

OC_FS1: OC Кнопка принудительного входа в BIOS

Данный разъем позволяет подключить кнопку. При нажатии этой кнопки система принудительно войдет в настройки BIOS без отображения сообщения **OC_FAIL**.

OC_RT2: Разъем OC Retry

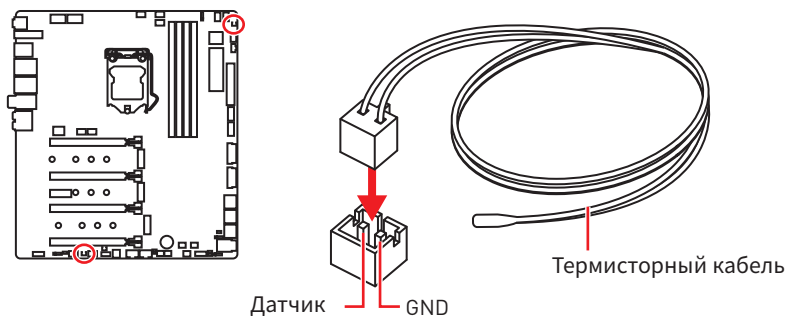
При нажатии и удержании этой кнопки, система будет изменять параметры разгона до тех пор, пока успешно не загрузится.



- OC_FS1**
- OC_RT2**

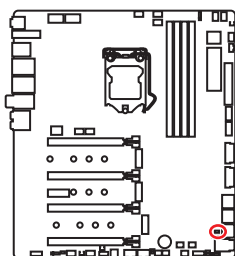
T_SEN1~2: Разъемы датчика температуры

Данные разъемы предназначены для подключения кабеля термистора, который используется для контроля температуры в заданной точке.



JSL0W1: Джампер режима медленной загрузки

Данный переключатель используется в случае применения систем охлаждения LN2, что в свою очередь позволяет создать экстремальные условия для оверклокинга. Это позволяет загружаться при стабильной частоте процессора и предотвращает сбой в работе.



Нормальное

(По умолчанию)



Включено

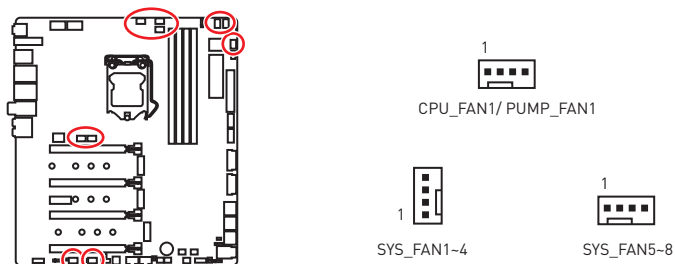
(Включите данную функцию во время прохождения процедуры POST.)

Внимание!

- Всегда помните, что разгон при экстремально низких температурах вы осуществляете на свой страх и риск. Результаты разгона могут различаться в зависимости от модели процессора.
- Не устанавливайте эту перемычку в положение **Включено** при выключенном питании. В противном случае систему будет невозможно загрузить.

CPU_FAN1, PUMP_FAN1, SYS_FAN1~8: Разъемы вентиляторов

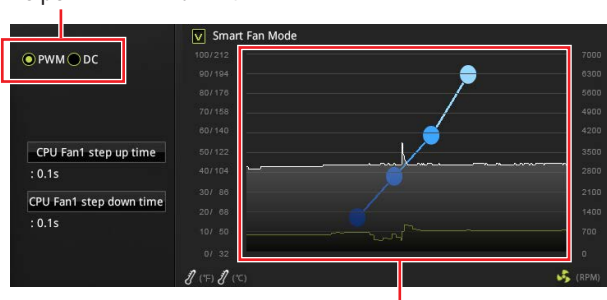
Разъемы вентиляторов можно разделить на два типа: с PWM (PulseWidth Modulation) управлением и управлением постоянным током. Разъемы вентиляторов с PWM управлением имеют контакт с постоянным напряжением 12В, а также контакт с сигналом управления скоростью вращения. Управление скоростью вращения вентиляторов с управлением постоянным током, осуществляется через соответствующие разъемы путем изменения величины напряжения. Данная материнская плата может автоматически определить режим управления: PWM или DC. Для настройки режима работы вентилятора вручную (PWM или DC), следуйте указаниям ниже.



Переключение режимов работы и скорости вращения вентилятора

В меню BIOS > **HARDWARE MONITOR** вы можете выбрать режим работы вентилятора: PWM или DC, а также настроить его скорость вращения.

Выберите режим **PWM** или **DC**



Вы можете регулировать скорость вращения вентилятора в зависимости от температуры процессора путем изменения положения градиентных точек.



Внимание!

Убедитесь, что вентиляторы работают правильно после выбора режима PWM/ DC.

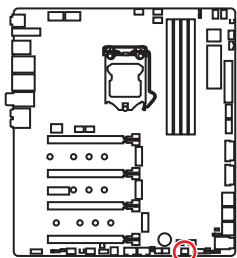
Назначение контактов разъема для подключения вентилятора


Назначение контактов разъема для режима PWM			
1	Ground	2	+12V
3	Sense	4	Speed Control Signal

Назначение контактов разъема для режима DC			
1	Ground	2	Voltage Control
3	Sense	4	NC

W_FLOW1: Разъем датчика скорости потока охлаждающей жидкости

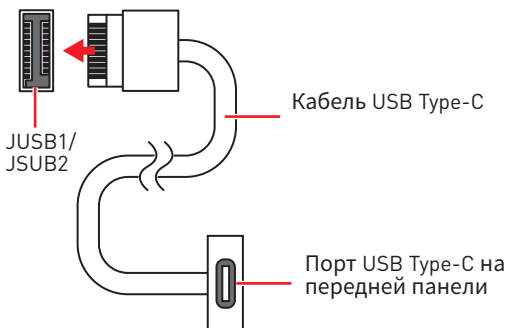
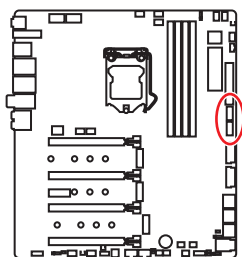
Данный разъем предназначен для подключения датчика скорости потока жидкости.



1 			
1	Ground	3	WFLOW IN
2	WFLOW PWR		

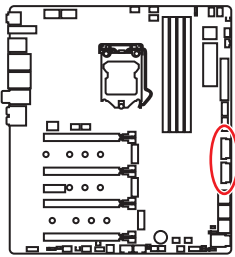
JUSB1~2: Разъемы USB 3.1 Gen2 Type-C

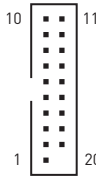
Данные разъемы предназначены для подключения разъемов USB 3.1 Gen2 Type-C на передней панели. Данный коннектор имеет защиту от неправильного подключения. При подключении кабеля убедитесь, что коннектор сориентирован правильно относительно разъема.



JUSB3~4: Разъемы USB 3.1 Gen1

Данные разъемы предназначены для подключения портов USB 3.1 Gen1 на передней панели.



			
1	Power	11	USB2.0+
2	USB3_RX_DN	12	USB2.0-
3	USB3_RX_DP	13	Ground
4	Ground	14	USB3_TX_C_DP
5	USB3_TX_C_DN	15	USB3_TX_C_DN
6	USB3_TX_C_DP	16	Ground
7	Ground	17	USB3_RX_DP
8	USB2.0-	18	USB3_RX_DN
9	USB2.0+	19	Power
10	NC	20	No Pin

Внимание!

Помните, что во избежание повреждений, необходимо правильно подключать контакты питания и земли.

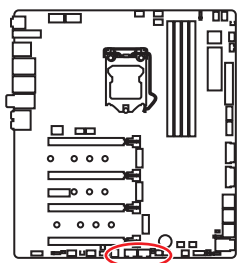
Порт для зарядки устройств

Разъем **JUSB4** является портом для зарядки устройств и обеспечивает высокий зарядный ток при подключении USB устройства, например смартфона. Порт для зарядки имеет независимое от материнской платы аппаратное управление, и позволяет производить зарядку в ждущем, спящем режиме и даже при выключенном компьютере. Для нормального функционирования порта в Windows® необходимо установить приложение MSI DRAGON CENTER, чтобы включить/ выключить режим зарядки.

Внимание!

При включении режима зарядки, передача данных через порт прекращается.

JUSB5~6: Разъемы USB 2.0



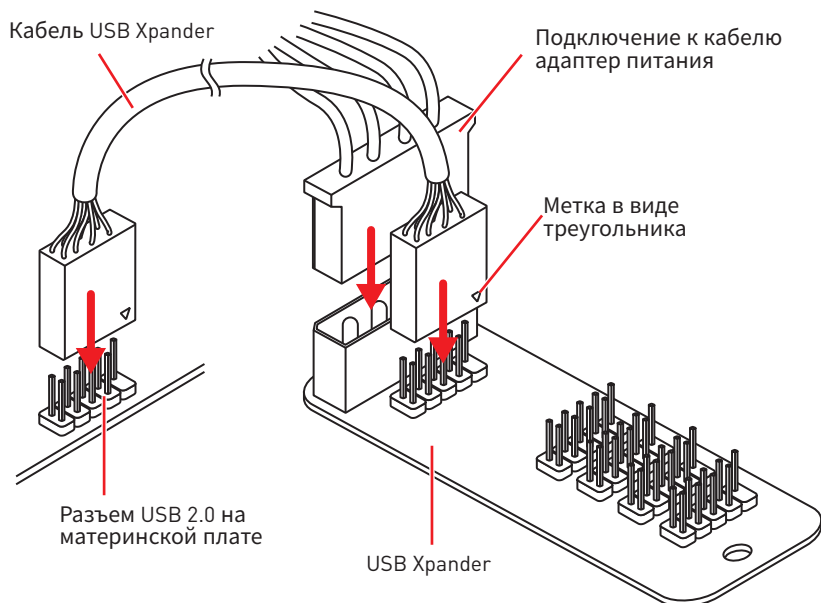
	2		10
	□	□	□
	1		9
1	VCC	2	VCC
3	USB0-	4	USB1-
5	USB0+	6	USB1+
7	Ground	8	Ground
9	No Pin	10	NC

Внимание!

- Помните, что во избежание повреждений, необходимо правильно подключать контакты VCC и земли.
- Для того, чтобы зарядить ваш iPad, iPhone и iPod через порты USB, пожалуйста, установите утилиту MSI DRAGON CENTER.

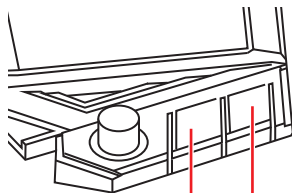
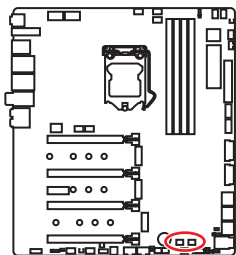
Подключение USB Xpander

USB Xpander предназначен для расширения один разъем USB 2.0 до 4-х разъемов. Используйте кабель USB Xpander для подключения платы расширения к материнской плате, как показано на рисунке ниже.



POWER1, RESET1: Кнопка питания, Кнопка перезагрузки

Кнопка питания/ перезагрузки позволяет вам включить/ перезагрузить компьютер.

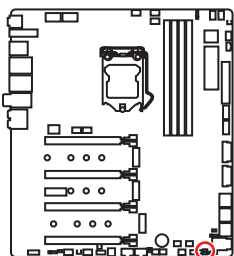


Кнопка питания

Кнопка перезагрузки

JBAT1: Джемпер очистки данных CMOS (Сброс BIOS)

На плате установлена CMOS память с питанием от батарейки для хранения данных о конфигурации системы. Для сброса конфигурации системы (очистки данных CMOS памяти), воспользуйтесь этим джемпером.



Сохранение данных
(По умолчанию)



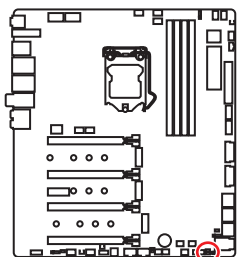
Очистка данных/
Сброс BIOS

Сброс настроек BIOS до значений по умолчанию

1. Выключите компьютер и отключите шнур питания.
2. Используйте джемпер, чтобы замкнуть соответствующие контакты **JBAT1** в течение 5-10 секунд.
3. Снимите джемпер с контактов **JBAT1**.
4. Подключите шнур питания и включите компьютер.

JC11: Разъем датчика открытия корпуса

К этому разъему подключается кабель от датчика открытия корпуса.



Нормально
(По умолчанию)



Разрешить запись
по событию
открытия корпуса

Использование датчика открытия корпуса

1. Подключите датчик открытия корпуса к разъему **JC11**.
2. Закройте крышку корпуса.
3. Войдите в **BIOS > SETTINGS > Security > Chassis Intrusion Configuration**.
4. Установите **Chassis Intrusion** в **Enabled**.
5. Нажмите клавишу **F10**, чтобы сохранить настройки и выйти, а затем нажмите клавишу **Enter**, чтобы выбрать **Yes**.
6. При открытии корпуса на экране будет появляться предупреждающее сообщение каждый раз при включении компьютера.

Сброс сообщения об открытии корпуса

1. Войдите в **BIOS > SETTINGS > Security > Chassis Intrusion Configuration**.
2. Выберите **Chassis Intrusion, Reset**.
3. Нажмите клавишу **F10**, чтобы сохранить настройки и выйти, а затем нажмите клавишу **Enter**, чтобы выбрать **Yes**.

BIOS_SW1: Переключатель Multi-BIOS

Данная системная плата имеет два встроенных модуля BIOS ROM. В случае если один из них поврежден, у пользователя есть возможность перейти на запасной модуль с помощью переключателя.



Восстановление BIOS

В случае “неудачного” обновления BIOS, когда система перестала загружаться, вы можете восстановить BIOS, следуя указаниям ниже. Перед восстановлением, скачайте с сайта MSI последнюю версию файла BIOS, который соответствует вашей модели материнской платы. Сохраните файл BIOS в корневую папку USB флэшки.

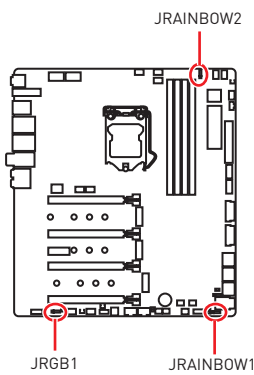
1. Полностью обесточьте систему.
2. Переключитесь на рабочий модуль BIOS ROM с помощью переключателя **Multi-BIOS**.
3. Вставьте флэш-диск USB в компьютер.
4. Включите компьютер и нажмите клавишу Del для входа в настройки BIOS во время процедуры POST.
5. Выберите вкладку **M-FLASH** и нажмите на кнопку **Yes** для перезагрузки системы и входа в режим обновления.
6. Выберите файл BIOS для выполнения процесса восстановления BIOS.
7. Переключитесь на поврежденный модуль BIOS ROM с помощью переключателя **Multi-BIOS**, и нажмите кнопку **Yes**, чтобы начать восстановление BIOS.
8. После завершения процесса восстановления BIOS, система перезагрузится автоматически.

Внимание!

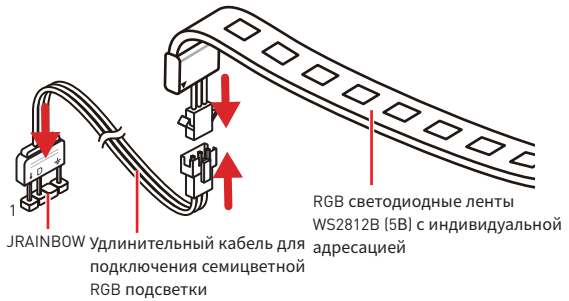
- Переключатель *Multi-BIOS* разрешается использовать только после выключения питания компьютера.
- Вы также можете использовать утилиту **LIVE UPDATE** или **BIOS FLASHBACK+** для обновления BIOS. Для получения дополнительной информации, обратитесь к разделу BIOS.

JRGB1, JRAINBOW1~2: Разъемы RGB LED

Разъем JRGB предназначен для подключения 5050 RGB светодиодных лент 12В. Разъем JRAINBOW предназначен для подключения RGB светодиодных лент WS2812B (5B) с индивидуальной адресацией.



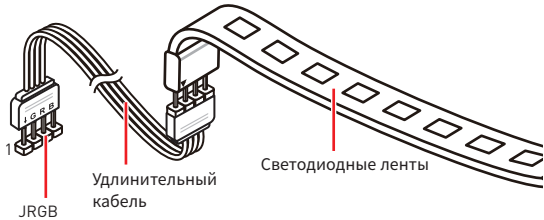
1		1	
JRAINBOW1		JRAINBOW2	
1	+5V	2	Data
3	No Pin	4	Ground



JRAINBOW Удлинительный кабель для подключения семицветной RGB подсветки

RGB светодиодные ленты WS2812B (5B) с индивидуальной адресацией

1		1	
JRGB1		JRGB	
1	+12V	2	G
3	R	4	B



JRGB Удлинительный кабель

Светодиодные ленты

ВНИМАНИЕ!

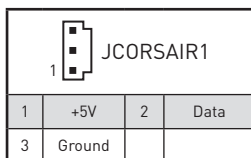
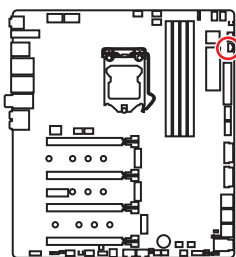
Не подключайте несовместимые с материнской платой светодиодные ленты. Разъем JRGB и разъем JRAINBOW имеют разное напряжение, и подключение светодиодных лент 5В к разъему JRGB приведет к их повреждению.

Внимание!

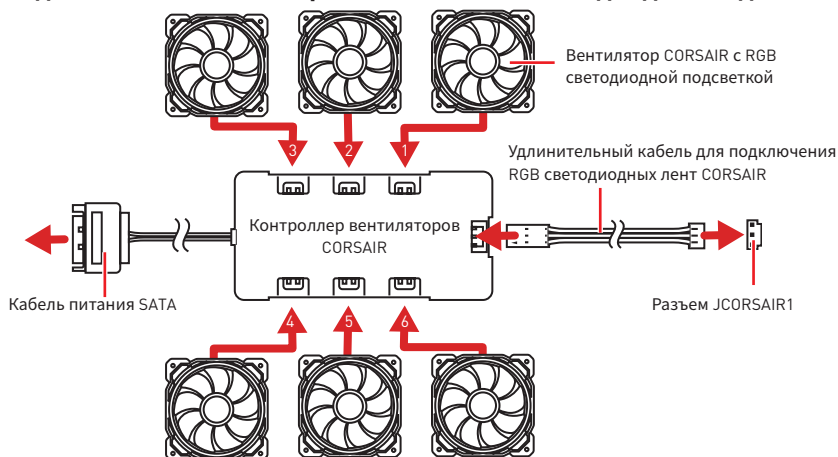
- Разъем поддерживает подключение 5050 RGB непрерывных светодиодных лент (12В/Г/Р/В) с максимальной мощностью 3А (12В) длиной до 2 метров.
- Разъем JRAINBOW поддерживает подключение RGB светодиодных лент WS2812B с индивидуальной адресацией (5В/Data/Ground) с максимальной мощностью 3А (5В), максимальное количество подсветки составляет 75 (при уровне яркости 20% - 200).
- Перед установкой или заменой светодиодных лент RGB, необходимо полностью обесточить систему и отключить кабель питания.
- Используйте утилиту MSI® для управления удлинительными светодиодными лентами.

JCORSAIR1: Разъем CORSAIR

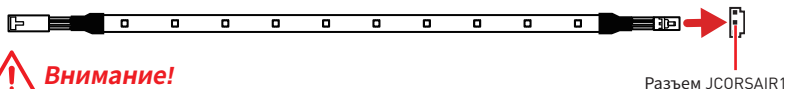
Разъем JCORSAIR1 используется для подключения RGB светодиодных лент CORSAIR (5B) с индивидуальной адресацией или вентиляторов CORSAIR с RGB светодиодной подсветкой через контроллер вентиляторов CORSAIR. Когда все элементы правильно подключены, используйте утилиту MSI для управления RGB светодиодными лентами и вентиляторами CORSAIR с подсветкой.



Подключение вентиляторов CORSAIR с RGB светодиодной подсветкой



Подключение RGB светодиодных лент CORSAIR Lighting Node PRO

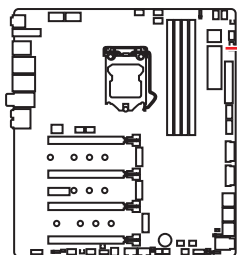


⚠ Внимание!

- Вентиляторы необходимо подключать последовательно, начиная с разъема № 1. Последовательность подключения вентиляторов к разъемам: 1 > 2 > 3 > 4 > 5 > 6. Пренебрежение правилами подключения вентиляторов к разъемам может привести к неработоспособности их подсветки.
- Количество поддерживаемых вентиляторов с RGB светодиодной подсветкой или светодиодных лент RGB Lighting PRO может различаться в зависимости от модели. Для получения подробной информации обратитесь к техническим характеристикам материнской платы.
- Вентиляторы CORSAIR с RGB светодиодной подсветкой нельзя использовать одновременно со светодиодными лентами CORSAIR Lighting Node PRO.

Инфодисплей

Панель Инфодисплей отображает информации о системе, температуру процессора, его частоту, состояние обновления BIOS и сообщения об ошибках. Используйте утилиту MSI для настройки параметров Инфодисплей, с помощью которой вы также можете загрузить файл анимации в формате GIF.



Инфодисплей

Таблица состояний Инфодисплей

Состояние системы	Инфодисплей	Состояние системы	Инфодисплей
Включение		Обновление BIOS (обновление)	
		Обновление BIOS (совершенство)	
Процессор не обнаружен или поврежден		Обновление BIOS (ошибка)	
Память DRAM не обнаружена или повреждена		Скорость вентилятора/ температура/ напряжение	
Видеокарта не обнаружена или повреждена		Game Boost	
Вход в ОС		Информации о процессоре / видеокарте / памяти	
S3 (Сохранить в RAM)			
S4/S5 (Сохранить на диск/ Завершение работы)			
		Профиль пользователя	

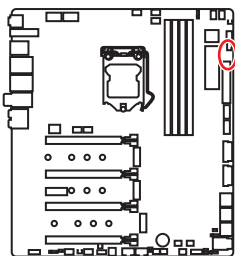
Внимание!

Для получения подробной информации о настройке Инфодисплей, обратитесь на веб-сайт MSI.

Встроенные индикаторы

Индикаторы отладки EZ

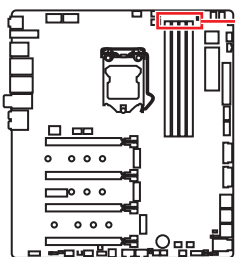
Данные светодиоды показывают состояния материнской платы.



- CPU** - процессор не обнаружен или поврежден.
- DRAM** - память DRAM не обнаружена или повреждена.
- VGA** - видеокарта не обнаружена или повреждена.
- BOOT** - устройство загрузки не обнаружено или повреждено.

Индикаторы DIMM

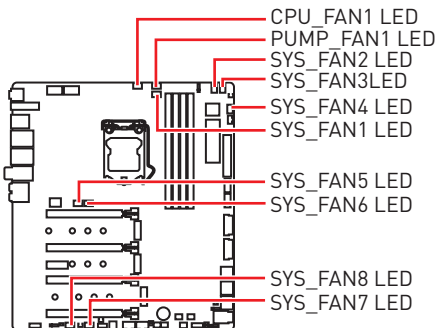
Данные светодиоды показывают установленные модули памяти.



Индикаторы DIMM

Индикаторы вентилятора

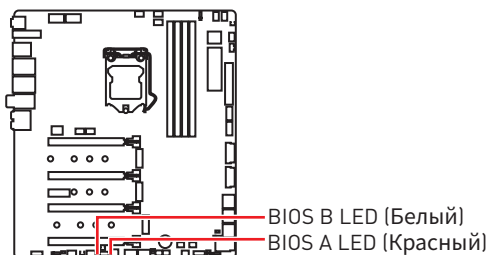
Эти индикаторы показывают режим управления вентилятором.



Цвет LED	Режим управления
Красный	Режим PWM
Зеленый	Режим DC

Индикаторы Multi-BIOS

Индикаторы Multi-BIOS LEDs показывают работающий BIOS.



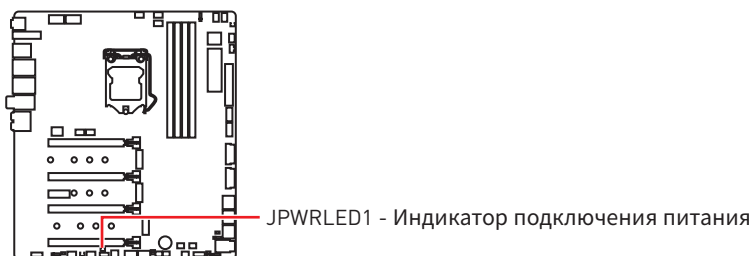
Индикатор XMP

Данный LED показывает включение режима XMP (Extreme Memory Profile).



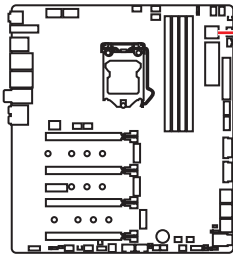
JPWRLED1: Индикатор подключения питания

Данные компоненты используются в розничных магазинах для демонстрации светодиодных эффектов на плате.



Индикатор отладочных кодов

Индикатор отладочных кодов отображает фазы процесса самотестирования POST, а также коды ошибок. Для получения дополнительной информации см. таблицу отладочных кодов.



Индикатор отладочных кодов

Таблица шестнадцатиричных символов

Шестнадцатиричный символ	0	1	2	3	4	5	6	7	8	9	A	B	C	D	E	F
Индикатор отладочных кодов	0	1	2	3	4	5	6	7	8	9	A	B	C	D	E	F

Фазы загрузки

Security (SEC) – начальная инициализация низкого уровня

Pre-EFI Initialization (PEI) – инициализация памяти

Driver Execution Environment (DXE) – инициализация оборудования

Boot Device Selection (BDS) – настройки системы, пользовательский интерфейс до загрузки ОС & выбор загрузочного устройства (CD/DVD, HDD, USB, Network, Shell, ...)

Таблица отладочных кодов

Прогресс-коды SEC

01	Питание включено. Определение типа сброса (soft/hard)
02	Инициализация AP перед загрузкой микрокода
03	Инициализация System Agent перед загрузкой микрокода
04	Инициализация PCH перед загрузкой микрокода
06	Загрузка микрокода
07	Инициализация AP после загрузки микрокода
08	Инициализация System Agent после загрузки микрокода
09	Инициализация PCH после загрузки микрокода
0B	Инициализация Кэша

Коды ошибок SEC

0C - 0D	Зарезервировано для будущего использования кодами ошибок AMI SEC
0E	Микрокод не найден
0F	Микрокод не загружен

Прогресс-коды PEI

10	Запущено ядро PEI
11	Запущена инициализация Pre-memory CPU
12 - 14	Инициализация Pre-memory CPU (только модуль CPU)
15	Запущена предварительная инициализации System Agent
16 - 18	Предварительная инициализация System Agent (только модуль System Agent)
19	Запущена предварительная инициализации памяти PCH
1A - 1C	Предварительная инициализация памяти PCH (только модуль PCH)
2B	Инициализация памяти. Чтение данных Serial Presence Detect (SPD)
2C	Инициализация памяти. Определение наличия памяти
2D	Инициализация памяти. Информация о программировании таймингов памяти
2E	Инициализация памяти. Конфигурирование памяти
2F	Инициализация памяти (другое)
31	Память установлена
32	Запущена инициализация CPU post-memory
33	Инициализация CPU post-memory. Инициализация Кэша
34	Инициализация CPU post-memory. Инициализация Application Processor(s) (AP)
35	Инициализация CPU post-memory Загрузка. Выбор Strap Processor (BSP)
36	Инициализация CPU post-memory Система. Инициализация Management Mode (SMM)
37	Запущена предварительная инициализация Post-Memory System Agent
38 - 3A	Инициализация Post-Memory System Agent (только модуль System Agent)
3B	Запущена инициализация Post-Memory PCH
3C - 3E	Инициализация Post-Memory PCH (только модуля PCH)
4F	Запущен DXE IPL

Коды ошибок PEI

50	Ошибка инициализации памяти. Несовместимый тип памяти или несовместимая частота
----	---

51	Ошибка инициализации памяти. Ошибка чтения SPD
52	Ошибка инициализации памяти. Неверный объем памяти или разные модули памяти
53	Ошибка инициализации памяти. Не обнаружено работоспособной памяти
54	Непредвиденная ошибка инициализации памяти
55	Память не установлена
56	Недопустимый тип процессора или недопустимая частота
57	Недопустимый процессор
58	Самотестирование процессора не выполнено или возможная ошибка кэша
59	Микрокод процессора не найден либо обновление микрокода не выполнено
5A	Внутренняя ошибка процессора
5B	Сброс PPI не доступен
5C - 5F	Зарезервировано для будущего использования кодами AMI

Прогресс-коды DXE

60	Запущен DXE Core
61	Инициализация NVRAM
62	Настройка PCH Runtime Services
63	Запущена инициализация CPU DXE
64 - 67	Инициализация CPU DXE (только модуль CPU)
68	Инициализация PCI host bridge
69	Запущена инициализация System Agent DXE
6A	Запущена инициализация System Agent DXE SMM
6B - 6F	Инициализация System Agent DXE(только модуль System Agent)
70	Запущена инициализация PCH DXE
71	Запущена инициализация PCH DXE SMM
72	Инициализация устройств PCH
73 - 77	Инициализация PCH DXE (только модуль PCH)
78	Инициализация модуля ACPI
79	Инициализация CSM
7A - 7F	Зарезервировано для будущего использования кодами AMI DXE
90	Запуск фазы выбора загрузочного устройства Boot Device Selection (BDS)
91	Запущено подключение драйвера
92	Запущена инициализация PCI Bus
93	Инициализация контроллера PCI Bus Hot Plug Controller
94	PCI Bus Enumeration 32
95	PCI Bus Request Resources

96	PCI Bus Assign Resources
97	Подключение устройств Console Output
98	Подключение устройств Console Input
99	Инициализация Super IO
9A	Запущена инициализация USB
9B	USB Reset
9C	USB Detect
9D	USB Enable
9E -9F	Зарезервировано для будущих кодов AMI
A0	Запущена инициализация IDE
A1	IDE Reset
A2	IDE Detect
A3	IDE Enable
A4	Запущена инициализация SCSI
A5	SCSI Reset
A6	SCSI Detect
A7	SCSI Enable
A8	Проверка пароля Setup
A9	Запуск Setup
AB	Ожидание ввода Setup
AD	Событие Ready To Boot
AE	Событие Legacy Boot
AF	Событие Exit Boot Services
B0	Начало Runtime Set Virtual Address MAP
B1	Конец Runtime Set Virtual Address MAP
B2	Инициализация Legacy Option ROM
B3	System Reset
B4	PCI bus hot plug
B5	PCI bus hot plug
B6	Очистка NVRAM
B7	Сброс конфигурации (сброс настроек NVRAM)
B8 - BF	Зарезервировано для будущего использования кодами AMI

Коды ошибок DXE

D0	Ошибка инициализации процессора
D1	Ошибка инициализации System Agent
D2	Ошибка инициализации PCH
D3	Некоторые протоколы архитектуры недоступны

D4	Ошибка выделения ресурсов для PCI. Вне Ресурсов
D5	Нет свободного места для Legacy Option ROM
D6	Не найдены консольные устройства вывода
D7	Не найдены консольные устройства ввода
D8	Неверный пароль
D9	Ошибка загрузки Boot Option (ошибка загрузки образа)
DA	Ошибка Boot Option (ошибка запуска образа)
DB	Ошибка обновления
DC	Протокол сброса недоступен

Прогресс-коды S3 Resume

E0	Запущен S3 Resume (S3 Resume PPI вызывается DXE IPL)
E1	Выполнение S3 Boot Script
E2	Перезапуск видео
E3	OS S3 wake vector call
E4 - E7	Зарезервировано для будущих прогресс-кодов AMI

Коды ошибок S3 Resume

E8	Ошибка S3 Resume
E9	S3 Resume PPI не найден
EA	Ошибка загрузочного скрипта S3 Resume
EB	Ошибка выхода ОС из состояния S3
EC - EF	Зарезервировано для будущего использования кодами AMI

Прогресс-коды восстановления

F0	Состояние восстановления инициировано прошивкой (Автоматическое восстановление)
F1	Состояние восстановления инициировано пользователем (Принудительное восстановление)
F2	Запущен процесс восстановления
F3	Найден образ прошивки восстановления
F4	Загружен образ прошивки восстановления
F5 - F7	Зарезервировано для будущего использования прогресс-кодами AMI

Коды ошибок восстановления

F8	Восстановление PPI не доступно
F9	Капсула восстановления не найдена
FA	Неверная капсула восстановления
FB - FF	Reserved for future AMI error codes

Коды состояний ACPI

Следующие коды появляются после загрузки и перехода операционной системы в режимы ACPI.

01	Система входит в режим сна S1
02	Система входит в режим сна S2
03	Система входит в режим сна S3
04	Система входит в режим сна S4
05	Система входит в режим сна S5
10	Система выходит из состояния сна S1
20	Система выходит из состояния сна S2
30	Система выходит из состояния сна S3
40	Система выходит из состояния сна S4
AC	Система перешла в режим ACPI. Контроллер прерываний в режиме PIC.
AA	Система перешла в режим ACPI. Контроллер прерываний в режиме APIC.

Температура процессора

00 - 99	Отображают текущую температуру процессора после загрузки ОС.
---------	--

Установка ОС, драйверов и утилит

Скачайте и обновите последние утилиты и драйверы с сайта: www.msi.com.

Установка Windows® 10

1. Включите компьютер.
2. Вставьте диск Windows® 10 в привод для оптических дисков или вставьте в разъем USB компьютера USB флэш-диск, содержащий установочный файл Windows® 10.
3. Нажмите кнопку **Restart** на корпусе компьютера.
4. Нажмите клавишу **F11** во время POST (Power-On Self Test) компьютера, чтобы войти в меню загрузки.
5. Выберите оптический привод / USB флэш-диск в меню загрузки.
6. Нажмите любую клавишу, когда на экране показывается сообщение **Press any key to boot from CD or DVD...**
7. Следуйте инструкциям на экране, чтобы установить Windows® 10.

Установка драйверов

1. Загрузите компьютер в Windows® 10.
2. Вставьте диск с драйверами MSI® Driver Disc в привод для оптических дисков.
3. Нажмите всплывающее окно **Select to choose what happens with this disc** и выберите **Run DVDSetup.exe**, чтобы открыть окно установщика. Если функция автозапуска в Панели управления Windows выключена, вы также можете вручную запустить файл **DVDSetup.exe** из корневой папки диска с драйверами MSI Driver Disc.
4. Окно установщика найдет и перечислит все необходимые драйверы во вкладке **Drivers/Software**.
5. Нажмите кнопку **Install** в правом нижнем углу окна установщика.
6. Начнется установка драйверов. После ее завершения будет предложено перезапустить систему.
7. Нажмите кнопку **OK** для завершения.
8. Перезапустите компьютер.

Установка утилит

Перед установкой утилиты необходимо выполнить установку драйверов.

1. Откройте окно установщика, как описано выше.
2. Нажмите вкладку **Utilities**.
3. Выберите необходимые для установки утилиты.
4. Нажмите кнопку **Install** в правом нижнем углу окна установщика.
5. Начнется установка программного обеспечения. После ее завершения будет предложено перезапустить систему.
6. Нажмите кнопку **OK** для завершения.
7. Перезапустите компьютер.

Настройка BIOS

Настройки по умолчанию обеспечивают оптимальную производительность и стабильность системы при нормальных условиях. Если вы недостаточно хорошо знакомы с BIOS, **всегда устанавливайте настройки по умолчанию**. Это позволит избежать возможных повреждений системы, а также проблем с загрузкой.

Внимание!

- С целью улучшения производительности, меню BIOS постоянно обновляется. В связи с этим данное описание может немного отличаться от последней версии BIOS и может использоваться в качестве справки. Для описания какого либо пункта меню настроек BIOS, вы можете обратиться к информационной панели **HELP**.
- Изображения в этой главе приведены исключительно в справочных целях и могут отличаться от фактических.

Вход в настройки BIOS

Ниже представлены способы входа в настройки BIOS.

- Нажмите клавишу **Delete**, когда появляется сообщение на экране **Press DEL key to enter Setup Menu, F11 to enter Boot Menu** во время загрузки.
- При помощи приложения **MSI Dragon Center**. Нажмите на кнопку **GO2BIOS** и выберите **OK**. Система перезагрузится и автоматически войдет в настройки BIOS.

Функциональные клавиши

- F1:** Общая справка
 - F2:** Добавить / Удалить избранный предмет
 - F3:** Вход в меню Избранное
 - F4:** Вход в меню технических параметров процессора
 - F5:** Вход в меню Memory-Z
 - F6:** Загрузить оптимизированные настройки по умолчанию
 - F7:** Переключить между расширенном режимом и режимом EZ
 - F8:** Загрузить профиль разгона
 - F9:** Сохранить профиль разгона
 - F10:** Сохранение изменений и перезагрузка*
 - F12:** Сделать скриншот и сохранить его на USB флэш-диск (только FAT / FAT32 формат).
- Ctrl+F:** Вход в страницу поиска

* При нажатии клавиши F10 появится информационное окно. Выберите Yes или No, чтобы подтвердить выбор.

Сброс BIOS

В некоторых ситуациях необходимо выполнить восстановление настроек BIOS до значений по умолчанию. Существует несколько способов сброса настроек:

- Войдите в BIOS и нажмите клавишу **F6** для загрузки оптимизированных значений по умолчанию.
- Замкните джампер **Clear CMOS** на материнской плате.



Внимание!

Убедитесь, что компьютер выключен перед очисткой данных CMOS. Для получения дополнительной информации о сбросе настроек BIOS, обратитесь к разделу “Джампер очистки данных CMOS”.

Обновление BIOS

Обновление BIOS при помощи M-FLASH

Подготовительные операции:

Пожалуйста, скачайте последнюю версию файла BIOS с сайта MSI, который соответствует вашей модели материнской платы. Сохраните файл BIOS на флэш-диске USB.

Обновление BIOS:

1. Вставьте флэш-диск USB, содержащий файл обновления в компьютер.
2. Для входа в режим обновления следуйте указаниям ниже.
 - Перезагрузите системы и нажмите клавиши **<Ctrl+F5>** во время процедуры POST, потом нажмите на кнопку **Yes** для перезагрузки системы.
 - Перезагрузите системы и нажмите клавишу **Del** во время процедуры POST для входа в настройки BIOS. Выберите вкладку **M-FLASH** и нажмите на кнопку **Yes** для перезагрузки системы.
3. Выберите файл BIOS для выполнения процесса обновления BIOS.
4. При появлении окна с предложением переключитесь на установленный модуль BIOS ROM с помощью переключателя **Multi-BIOS**, и нажмите кнопку **Yes**, чтобы начать восстановление **BIOS**.
5. После завершения процесса обновления, система перезагрузится автоматически.

Обновление BIOS при помощи MSI DRAGON CENTER

Перед обновлением:

Убедитесь, что драйвер локальной сети установлен и есть подключение к сети Интернет.

Обновление BIOS:

1. Установите и запустите MSI DRAGON CENTER.
2. Выберите **BIOS Update**.
3. Нажмите на кнопку **Scan**.
4. Нажмите на значок **Download**, чтобы загрузить и установить последнюю версию файла BIOS.
5. Нажмите кнопку **Next** и выберите **In Windows mode**. И затем нажмите кнопку **Next** и **Start** для запуска обновления BIOS.
6. По завершению процесса обновления, система перезагрузится автоматически.

Обновление BIOS при помощи BIOS FLASHBACK+

Подготовительные операции:

Пожалуйста, скачайте последнюю версию файла BIOS с сайта MSI, который соответствует вашей модели материнской платы и переименуйте файл BIOS в **MSI.ROM**. Затем сохраните файл **MSI.ROM** в корневую папку флэш-диска USB.



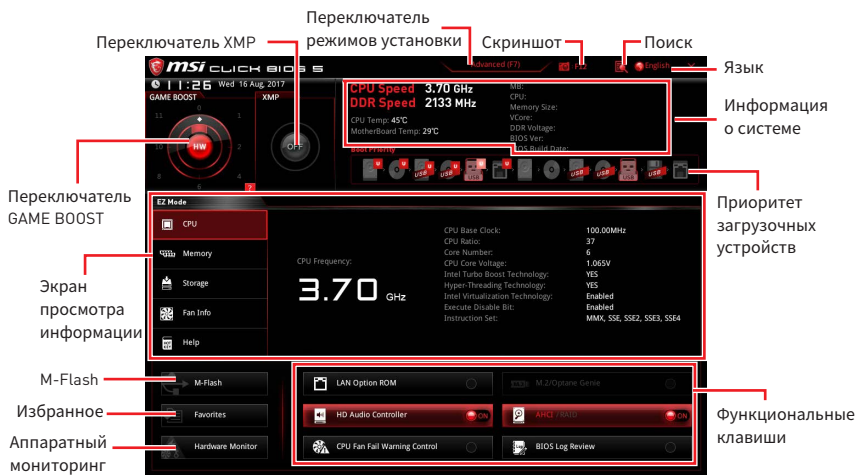
Внимание!

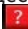
*Перед использованием функции **BIOS FLASHBACK+** убедитесь, что USB флэш-диск имеет файловую систему FAT32.*

1. Подключите блок питания к **CPU_PWR1** и **ATX_PWR1**. (Никакие другие компоненты кроме блока питания не используются.)
2. Подключите USB флэш-диск, содержащий файл MSI.ROM в порт **BIOS FLASHBACK+** на задней панели портов ввода/ вывода.
3. Нажмите кнопку **BIOS FLASHBACK+** для обновления BIOS. Светодиод BIOS FLASHBACK+ начинает мигать.
4. По завершению процесса обновления BIOS светодиод FLASHBACK+ гаснет.

Режим EZ

Режим EZ предоставляет основную информацию о системе и позволяет выполнить основные операции по настройке. Для настройки расширенных функций BIOS, пожалуйста, войдите в Расширенный режим, путем нажатия **Переключатель режимов установки** или при помощи функциональной клавиши **F7**.



• **Переключатель GAME BOOST** - нажмите на центральную кнопку для выбора режима управления **GAME BOOST** между **программным (SW)** и **аппаратным (HW)**. Внутренняя кнопка соответствует аппаратному режиму работы функции. Внешняя кнопка соответствует программному режиму. Информацию о частоте процессора каждого уровня в режиме **GAME BOOST**, можно получить нажав знак  в правом нижнем углу.

Внимание!

*Для сохранения оптимальной производительности и стабильности системы после активации функции **GAME BOOST**, пожалуйста, не делайте никаких изменений в меню ОС и не загружайте настройки по умолчанию.*

- **Переключатель XMP** - нажмите на внутренний значок, чтобы включить/выключить X.M.P. (Extreme Memory Profile). Для выбора профиля X.M.P. переключите внешний значок. Этот переключатель доступен только в случае, если установлен модуль памяти с поддержкой X.M.P.
- **Переключатель режимов установки** - нажмите эту вкладку или клавишу **F7**, чтобы переключиться между режимами EZ и разгона.
- **Скриншот** - нажмите на эту вкладку или клавишу **F12**, чтобы сделать скриншот и сохранить его на флэш-диск USB (только FAT/ FAT32).
- **Поиск** - кликните по данной вкладке или нажмите клавиши **Ctrl + F** для перехода на страницу поиска. Это позволяет выполнить поиск по имени параметра BIOS. Наведите указатель мыши на пустое место и щелкните правой кнопкой мыши, для выхода со страницы поиска.

Внимание!

*На странице поиска доступны только функциональные клавиши **F6**, **F10** и **F12**.*

- **Язык** - позволяет выбрать язык интерфейса для настройки BIOS.
- **Информация о системе** - показывает частоту процессора/ памяти, температуру процессора/ материнской платы, информацию о материнской плате/процессоре, размер памяти, напряжение на процессоре/ памяти, версию BIOS и дату создания.
- **Приоритет загрузочных устройств** - вы можете переместить иконку устройства для изменения приоритета загрузки. Приоритет загрузки устанавливается слева направо, от высокого к низкому.
- **Экран просмотра информации** - нажмите на кнопку **CPU, Memory, Storage, Fan Info** и **Help** в левой части экрана для отображения соответствующей информации.
- **Функциональные клавиши** - включают или выключают **LAN Option ROM, M.2/ Optane Genie, HD audio controller, AHCI, RAID, CPU Fan Fail Warning Control** и **BIOS Log Review**, при нажатии на соответствующую кнопку.
- **M-Flash** - нажмите на эту кнопку для отображения меню **M-Flash**. Пункт позволяет выбрать способ обновления BIOS при помощи USB флеш накопителя.
- **Аппаратный мониторинг** - нажмите на эту кнопку для отображения меню **аппаратного мониторинга**. Пункт позволяет вручную регулировать скорость вращения вентиляторов в процентах.
- **Избранное** - нажмите на данную кнопку или клавишу **F3** для входа в меню **Избранное**. Позволяет создать личное меню BIOS, где вы можете сохранить и получить доступ к вашим любимым и часто используемым настройкам BIOS.
 - **Главная страница по умолчанию** - позволяет выбрать меню BIOS (например, параметры, ОС..., и т.д.) в качестве главной страницы BIOS.
 - **Избранное1-5** - позволяет добавлять наиболее часто используемые / любимые пункты настройки BIOS на одну страницу.
 - **Добавление пункта BIOS в страницу Избранное (избранное 1-5)**
 1. Выберите пункт BIOS в настройках ОС или меню ОС.
 2. Щелкните правой кнопкой мыши или нажмите клавишу **F2**.
 3. Выберите любимую страницу и нажмите на кнопку **OK**.
 - **Удаление пункта BIOS из страницы Избранное**
 1. Выберите пункт BIOS на странице Избранное (избранное 1-5).
 2. Щелкните правой кнопкой мыши или нажмите клавишу **F2**.
 3. Выберите **Delete** и нажмите на кнопку **OK**.

Режим разгона

Нажмите **переключатель режимов установки** или функциональную клавишу **F7** для переключения между режимами EZ и разгона в настройках BIOS.



• **Переключатель GAME BOOST/ Переключатель XMP/ Переключатель режимов установки/ Скриншот/ Язык/ Информация о системе/ Приоритет загрузочных устройств** - пожалуйста, обратитесь к разделу Режим EZ.

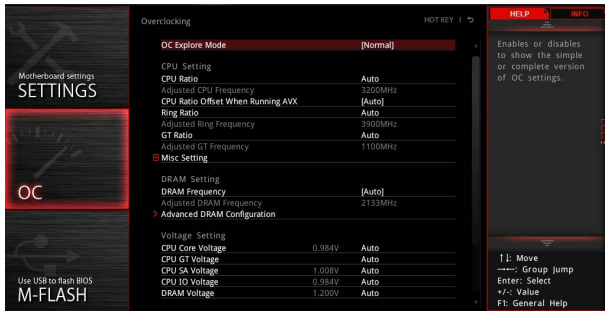
• **Выбор меню BIOS** - доступны следующие опции:

- **SETTINGS** - в данном меню представлены настройки чипсета и загрузочных устройств.
- **OC** - позволяет регулировать частоту и напряжение. Увеличение частоты приводит к увеличению производительности.
- **M-FLASH** - позволяет выбрать метод обновления BIOS с USB флэш-диска.
- **OC PROFILE** - позволяет управлять профилями разгона.
- **HARDWARE MONITOR** - позволяет установить скорость работы вентиляторов и мониторинг напряжений системы.
- **BOARD EXPLORER** - предоставляет информации об установленных устройствах на материнской плате.

• **Экран меню** - отображаются настройки BIOS и дополнительная информация.

Меню OC

Данное меню предназначено для опытных пользователей и предоставляет возможности для «разгона» системы.



Внимание!

- Разгонять ПК вручную рекомендуется только опытным пользователям.
- Производитель не гарантирует успешность разгона. Неправильное выполнение разгона может привести к аннулированию гарантии и серьезному повреждению оборудования.
- Неопытным пользователям рекомендуется использовать функцию **GAME BOOST**.

► OC Explore Mode [Expert]

Включение или выключение отображения нормального или экспертного режима настроек разгона.

[Normal] Стандартные параметры разгона в BIOS.

[Expert] Расширенные параметры разгона в BIOS для опытных пользователей.

Примечание: Символом * отмечаются параметры разгона в режиме Expert.

► CPU Ratio Apply Mode [All Core]*

Устанавливает режим применения для множителя CPU. Данный пункт появляется только, если процессор поддерживает **Turbo Boost**.

[All Core] Включает поле **CPU Ratio**. Все процессорные ядра работают с одинаковым множителем CPU, установленным в **CPU Ratio**.

[Per Core] Включает **Core X X of X xxxx MHz**. Установка множителя ядра процессора раздельно.

[Turbo Ratio] Включает **X-Core Ratio Limit**. Этот пункт появляется, если установленный процессор поддерживает данную функцию.

► X-Core Ratio Limit [Auto]*

Позволяет устанавливать множители процессора для различных активных ядер. Данный пункт появляется только при установлении **CPU Ratio Apply Mode** в режим **Turbo Ratio**.

► Adjusted CPU Frequency

Показывает текущую частоту процессора. Это значение нельзя изменять.

► **Core X X of X xxxx MHz [Auto]***

Позволяет устанавливать множители процессора для различных активных ядер. Данный пункт появляется только при установлении **CPU Ratio Apply Mode** в режим **Per Core**.

► **CPU Ratio Offset When Running AVX [Auto]**

Установка значения смещения для снижения коэффициента ядра процессора. Это может быть полезно для рассеивания тепла при выполнении набора инструкций AVX. Если установлен на Auto, BIOS автоматически настроит этот параметр.

► **Ring Ratio [Auto]**

Установка множителя кольцевой шины. Диапазон допустимых значений зависит от установленного процессора.

► **Adjusted Ring Frequency**

Показывает измененную частоту шины Ring. Это значение нельзя изменять.

► **GT Ratio [Auto]**

Установка множителя для интегрированной графики. Диапазон допустимых значений зависит от установленного процессора.

► **Adjusted GT Frequency**

Показывает измененную частоту интегрированной графики. Это значение нельзя изменять.

► **Misc Setting***

Нажмите клавишу Enter, + или -, чтобы включить или выключить следующие 2 пункта, связанные с характеристиками процессора.

► **EIST [Enabled]***

Включение или выключение технологии Enhanced Intel® SpeedStep.

[Enabled] Включение EIST для регулировки напряжения и частоты ядра процессора. Этот пункт может снизить среднее энергопотребление и тепловыделение.

[Disabled] Выключение EIST.

► **Intel Turbo Boost [Enabled]***

Включение или выключение Intel® Turbo Boost. Этот пункт появляется, когда установленный процессор поддерживает данную функцию.

[Enabled] Включение этой функции приводит к автоматическому увеличению производительности процессора, когда система требует наивысшей производительности.

[Disabled] Функция выключена.

► **Extreme Memory Profile (X.M.P.) [Disabled]**

X.M.P. (Extreme Memory Profile) является технологией разгона для модулей памяти. Включите XMP или выберите профиль модуля памяти XMP для разгона. Этот пункт доступен при установке модулей памяти с поддержкой X.M.P.

► DRAM Reference Clock [Auto]*

Установка референсной частоты DRAM. Диапазон допустимых значений зависит от установленного процессора. Этот пункт доступен, если установлен соответствующий процессор.

► DRAM Frequency [Auto]

Установка частоты памяти DRAM. Обратите внимание, что возможность успешного разгона не гарантируется.

► Adjusted DRAM Frequency

Показывает текущую частоту DRAM. Это значение нельзя изменять.

► Memory Try It ! [Disabled]

Позволяет улучшить совместимость памяти и производительность, путем выбора наиболее оптимального пресета.

► DRAM Timing Mode [Link]

Режимы таймингов памяти.

[Link] Позволяет пользователю настроить тайминги DRAM вручную для всех каналов памяти.

[UnLink] Позволяет пользователю настроить тайминги DRAM вручную для соответствующего канала памяти.

► Advanced DRAM Configuration

Нажмите **Enter** для входа в подменю. Пользователь может настроить тайминги для каждого канала памяти. Система может работать нестабильно или не загружаться после изменения таймингов памяти. Если система работает нестабильно, пожалуйста, очистите данные CMOS и восстановите настройки по умолчанию. (см. переключатель очистки данных CMOS/раздел кнопки для очистки данных CMOS и вход в BIOS, чтобы загрузить настройки по умолчанию.)

► Memory Fast Boot [Auto]*

Включает или выключает инициализацию и тренировку памяти при каждой загрузке.

[Auto] Этот параметр будет настроен автоматически с помощью BIOS.

[Enabled] Система будет сохранять настройки, определенные при первой инициализации и тренировке памяти. Оперативная память более не будет подвергаться процессу инициализации и тренировке измененными настройками для ускорения загрузки.

[Disabled] Память будет проходить процесс инициализации и тренировки при каждой загрузке.

► CPU Voltages control [Auto]

Эти параметры позволяют вам задать напряжения, связанные с процессором. При установке в **Auto**, BIOS установит напряжения автоматически. Вы также можете настроить напряжения вручную.

► DRAM Voltages control [Auto]

Эти параметры позволяют вам задать напряжения, связанные с памятью. При установке в **Auto**, BIOS установит напряжения автоматически. Вы также можете настроить напряжения вручную.

► CPU Memory Changed Detect [Enabled]*

Включение или выключение предупреждающих сообщений при загрузке системы, когда процессор или память были заменены.

[Enabled] Система выдает предупреждение во время загрузки. Требуется загрузить настройки по умолчанию для новых устройств.

[Disabled] Выключение этой функции и сохранение текущих настроек BIOS.

► CPU Specifications

Нажмите **Enter** для входа в подменю. В этом подменю представлена информация об установленном процессоре. Для просмотра этой информации в любое время нажмите на кнопку **F4**. Это значение нельзя изменять.

► CPU Technology Support

Нажмите **Enter** для входа в подменю. В данном подменю отображаются основные функции, поддерживаемые установленным процессором. Это значение нельзя изменять.

► MEMORY-Z

Нажмите **Enter** для входа в подменю. В подменю выделены все параметры и тайминги установленной памяти. Для просмотра этой информации в любое время нажмите на кнопку **F5**.

► DIMM1/A2/B1/B2 Memory SPD

Нажмите **Enter** для входа в подменю. Это подменю показывает информацию об установленной памяти. Это значение нельзя изменять.

► CPU Features

Нажмите **Enter** для входа в подменю.

► Hyper-Threading [Enabled]

Технология Intel Hyper-Threading позволяет нескольким наборам регистров в процессоре исполнять инструкции одновременно. Это существенно увеличивает производительность системы. Этот пункт появляется, когда установленный процессор поддерживает изменение данного параметра.

[Enable] Включить технологию Intel Hyper-Threading.

[Disabled] Выключить эту функцию, если система не поддерживает функцию HT.

► Active Processor Cores Control [All]

Позволяет вам выбрать количество активных ядер процессора.

► Limit CPUID Maximum [Disabled]

Включение или выключение расширенных значений CPUID.

[Enabled] BIOS будет ограничивать максимальное входное значение CPUID для обхода проблемы загрузки в устаревших операционных системах, не поддерживающих процессор с расширенными значениями CPUID.

[Disabled] Используйте фактическое максимальное входное значение CPUID.

► Intel Virtualization Tech [Enabled]

Включение или выключение технологии Intel Virtualization.

[Enabled] Включает технологию Intel Virtualization и позволяет платформе запускать несколько операционных систем в независимых разделах. Система может функционировать виртуально сразу с несколькими операционными системами.

[Disabled] Выключение этой функции.

► Intel VT-D Tech [Disabled]

Включение или выключение технологии Intel VT-D (Intel Virtualization for Direct I/O).

► Hardware Prefetcher [Enabled]

Включение или выключение аппаратной предвыборки (MLC Streamer prefetcher).

[Enabled] Позволяет автоматически реализовывать предвыборку данных и инструкций из памяти в кэш L2 для настройки производительности процессора.

[Disabled] Выключение аппаратной предвыборки.

► Adjacent Cache Line Prefetch [Enabled]

Включение или выключение предвыборки процессора (MLC Spatial prefetcher).

[Enabled] Включение соседней предвыборки линии кэша для сокращения времени задержки кэша и настройки производительности для определенного приложения.

[Disabled] Включает только запрашиваемую линию кэша.

► CPU AES Instructions [Enabled]

Включение или выключение поддержки CPU AES (Advanced Encryption Standard-New Instructions). Этот пункт появляется, если процессор поддерживает данную функцию.

► Intel Adaptive Thermal Monitor [Enabled]

Включение или выключение адаптивного температурного мониторинга для защиты процессора от перегрева.

[Enabled] Уменьшает частоту ядра процессора, когда процессор превышает адаптивную температуру.

[Disabled] Выключение функции.

► Intel C-State [Auto]

Включение или выключение Intel C-state. C-state - это технология управления питанием процессора, определяемая ACPI.

[Auto] Параметр будет настроен автоматически с помощью BIOS.

[Enabled] Определяет состояние простоя системы и значительно сокращает энергопотребление процессором.

[Disabled] Выключение функции.

► **C1E Support [Disabled]**

Включение или выключение функции C1E для энергосбережения в состоянии простоя. Данный пункт появляется при включении **Intel C-State**.

[Enabled] Включение функции C1E для снижения частоты и напряжения процессора в целях энергосбережения в состоянии простоя.

[Disabled] Функция выключена.

► **Package C State limit [Auto]**

Данный параметр позволяет выбрать режим C-state для энергосбережения при простое системы. Варианты C-state зависят от установленного процессора. Этот элемент появляется при включении **Intel C-State**.

► **CFG Lock [Enabled]**

Блокировка или разблокировка MSR 0xE2[15], бит блокировки CFG.

[Enabled] Блокирует бит блокировки CFG.

[Disabled] Разблокирует бит блокировки CFG.

► **Long Duration Power Limit (W) [Auto]**

Настроить предельную мощность TDP процессора для длительной работы в режиме Turbo Boost.

► **Long Duration Maintained (s) [Auto]**

Настроить максимальное время работы процессора с ограничением мощности при Long Duration Power Limit.

► **Short Duration Power Limit (W) [Auto]**

Настроить предельную мощность TDP процессора при кратковременных нагрузках в режиме Turbo Boost.

► **CPU Current Limit (A) [Auto]**

Устанавливает максимальное ограничение по току для процессора в режиме Turbo Boost. В случае превышения установленного значения, процессор автоматически снижает частоту ядер.

► **FCLK Frequency [Auto]**

Устанавливает частоту FCLK. Нижняя частота FCLK может помочь вам установить более высокую частоту базовой тактовой.

► **DMI Link Speed [Auto]**

Устанавливает скорость DMI.

► **SW Guard Extensions (SGX) [Software Control]**

Включение или выключение SGX.

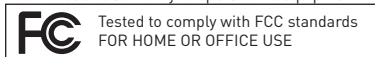
Regulatory Notices

FCC Compliance Statement

Note: This equipment has been tested and found to comply with the limits for a Class B digital device, pursuant to part 15 of the FCC Rules. These limits are designed to provide reasonable protection against harmful interference in a residential installation. This equipment generates, uses and can radiate radio frequency energy and, if not installed and used in accordance with the instructions, may cause harmful interference to radio communications. However, there is no guarantee that interference will not occur in a particular installation. If this equipment does cause harmful interference to radio or television reception, which can be determined by turning the equipment off and on, the user is encouraged to try to correct the interference by one or more of the following measures:

- Reorient or relocate the receiving antenna.
- Increase the separation between the equipment and receiver.
- Connect the equipment into an outlet on a circuit different from that to which the receiver is connected.
- Consult the dealer or an experienced radio/TV technician for help.

Caution: Changes or modifications not expressly approved by the party responsible for compliance could void the user's authority to operate the equipment.



This device complies with part 15 of the FCC Rules. Operation is subject to the following two conditions: (1) This device may not cause harmful interference, and (2) this device must accept any interference received, including interference that may cause undesired operation.

CE Conformity

CE Products bearing the CE marking comply with one or more of the following EU Directives as may be applicable:
RED 2014/53/EU; Low Voltage Directive 2014/35/EU; EMC Directive 2014/30/EU; RoHS Directive 2011/65/EU. Compliance with these directives is assessed using applicable European Harmonized Standards. The point of contact for regulatory matters is MSI, MSI-NL Eindhoven 5706 5692 ER Son.

B급 기기 (가정용 방송통신기자재)

K 이 기기는 가정용(B급) 전자파적합기기로서 주로 가정에서 사용하는 것을 목적으로 하며, 모든 지역에서 사용할 수 있습니다.

クラスB情報技術装置

VCCI この装置は、クラスB情報技術装置です。この装置は、家庭環境で使用することを目的としていますが、この装置がラジオやテレビジョン受信機に近接して使用されると、受信障害を引き起こすことがあります。取扱説明書に従って正しい取り扱いをして下さい。

VCCI-B

C-Tick Compliance



Battery Information

European Union:



Batteries, battery packs, and accumulators should not be disposed of as unsorted household waste. Please use the public collection system to return, recycle, or treat them in compliance with the local regulations.

Taiwan:



廢電池請回收
For better environmental protection, waste batteries should be collected separately for recycling or special disposal.

California, USA:



The button cell battery may contain perchlorate material and requires special handling when recycled or disposed of in California.

For further information please visit:

<http://www.dtsc.ca.gov/hazardouswaste/perchlorate/>

CAUTION: There is a risk of explosion, if battery is incorrectly replaced.

Replace only with the same or equivalent type recommended by the manufacturer.

Chemical Substances Information

In compliance with chemical substances regulations, such as the EU REACH Regulation (Regulation EC No. 1907/2006 of the European Parliament and the Council), MSI provides the information of chemical substances in products at:
http://www.msi.com/html/popup/csr/evmtprrt_pcm.html

Environmental Policy

- The product has been designed to enable proper reuse of parts and recycling and should not be thrown away at its end of life.
- Users should contact the local authorized point of collection for recycling and disposing of their end-of-life products.
- Visit the MSI website and locate a nearby distributor for further recycling information.
- Users may also reach us at gpcontdev@msi.com for information regarding proper Disposal, Take-back, Recycling, and Disassembly of MSI products.



WEEE (Waste Electrical and Electronic Equipment) Statement

ENGLISH

To protect the global environment and as an environmentalist, MSI must remind you that...

Under the European Union ("EU") Directive on Waste Electrical and Electronic Equipment, Directive 2002/96/EC, which takes effect on August 13, 2005, products of "electrical and electronic equipment" cannot



be discarded as municipal wastes anymore, and manufacturers of covered electronic equipment will be obligated to take back such products at the end of their useful life. MSI will comply with the product take back requirements at the end of life of MSI-branded products that are sold into the EU. You can return these products to local collection points.

DEUTSCH

Hinweis von MSI zur Erhaltung und Schutz unserer Umwelt
Gemäß der Richtlinie 2002/96/EG über Elektro- und Elektronik-Altgeräte dürfen Elektro- und Elektronik-Altgeräte nicht mehr als kommunale Abfälle entsorgt werden. MSI hat europaweit verschiedene Sammel- und Recyclingunternehmen beauftragt, die in die Europäische Union in Verkehr gebrachten Produkte, am Ende seines Lebenszyklus zurückzunehmen. Bitte entsorgen Sie dieses Produkt zum gegebenen Zeitpunkt ausschließlich an einer lokalen Altgerätesammelstelle in Ihrer Nähe.

FRANÇAIS

En tant qu'écologiste et afin de protéger l'environnement, MSI tient à rappeler ceci...
Au sujet de la directive européenne (EU) relative aux déchets des équipements électriques et électroniques, directive 2002/96/EC, prenant effet le 13 août 2005, que les produits électriques et électroniques ne peuvent être déposés dans les décharges ou tout simplement mis à la poubelle. Les fabricants de ces équipements seront obligés de récupérer certains produits en fin de vie. MSI prendra en compte cette exigence relative au retour des produits en fin de vie au sein de la communauté européenne. Par conséquent vous pouvez retourner localement ces matériels dans les points de collecte.

РУССКИЙ

Компания MSI предпринимает активные действия по защите окружающей среды, поэтому напоминаем вам, что....
В соответствии с директивой Европейского Союза (ЕС) по предотвращению загрязнения окружающей среды использованным электрическим и электронным оборудованием (директива WEEE 2002/96/EC), вступающей в силу 13 августа 2005 года, изделия, относящиеся к электрическому и электронному оборудованию, не могут рассматриваться как бытовой мусор, поэтому производители вышеперечисленного электронного оборудования обязаны принимать его для переработки по окончании срока службы. MSI обязуется соблюдать требования по приему продукции, проданной под маркой MSI на территории ЕС, в переработку по окончании срока службы. Вы можете вернуть эти изделия в специализированные пункты приема.

ESPAÑOL

MSI como empresa comprometida con la protección del medio ambiente, recomienda:
Bajo la directiva 2002/96/EC de la Unión Europea en materia de desechos y/o equipos electrónicos, con fecha de rigor desde el 13 de agosto de 2005, los productos clasificados como "eléctricos y equipos electrónicos" no pueden ser depositados en los contenedores habituales de su municipio, los fabricantes de equipos electrónicos, están obligados a hacerse cargo de dichos productos al término de su período de vida. MSI estará comprometido con los términos de recogida de sus productos vendidos en

la Unión Europea al final de su periodo de vida. Usted debe depositar estos productos en el punto limpio establecido por el ayuntamiento de su localidad o entregar a una empresa autorizada para la recogida de estos residuos.

NEDERLANDS

Om het milieu te beschermen, wil MSI u eraan herinneren dat....
De richtlijn van de Europese Unie (EU) met betrekking tot Vervuiling van Elektrische en Electronische producten (2002/96/EC), die op 13 Augustus 2005 in zal gaan kunnen niet meer beschouwd worden als vervuiling. Fabrikanten van dit soort producten worden verplicht om producten retour te nemen aan het eind van hun levenscyclus. MSI zal overeenkomstig de richtlijn handelen voor de producten die de merknaam MSI dragen en verkocht zijn in de EU. Deze goederen kunnen geretourneerd worden op lokale inzamelingspunten.

SRPSKI

Da bi zaštitili prirodnu sredinu, i kao preduzeće koje vodi računa o okolini i prirodnoj sredini, MSI mora da vas podesti da...
Po Direktivi Evropske unije ("UE") o odbačenoj elektronskoj i električnoj opremi, Direktiva 2002/96/EC, koja stupa na snagu od 13. Avgusta 2005, proizvođači koji spadaju pod "elektronsku i električnu opremu" ne mogu više biti odbačeni kao običan otpad i proizvođači ove opreme biće prinuđeni da uzmu natrag ove proizvode na kraju njihovog uobičajenog veka trajanja. MSI će poštovati zahtev o preuzimanju ovakvih proizvoda kojima je istekao vek trajanja, koji imaju MSI oznaku i koji su prodati u EU. Ove proizvode možete vratiti na lokalnim mestima za prikupljanje.

POLSKI

Aby chronić nasze środowisko naturalne oraz jako firma dbająca o ekologię, MSI przypomina, że...
Zgodnie z Dyrektywą Unii Europejskiej ("UE") dotyczącą odpadów produktów elektrycznych i elektronicznych (Dyrektywa 2002/96/EC), która wchodzi w życie 13 sierpnia 2005, tzw. "produkty oraz wyposażenie elektryczne i elektroniczne" nie mogą być traktowane jako śmieci komunalne, tak więc producenci tych produktów będą zobowiązani do odbierania ich w momencie gdy produkt jest wycofywany z użycia. MSI wypełni wymagania UE, przyjmując produkty (sprzedawane na terenie Unii Europejskiej) wycofywane z użycia. Produkty MSI będzie można zwracać w wyznaczonych punktach zbiorczych.

TÜRKÇE

Çevreci özelliğiyle bilinen MSI dünyada çevreyi korumak için titrlatır:
Avrupa Birliği (AB) Kararnamesi Elektrik ve Elektronik Malzeme Atığı, 2002/96/EC Kararnamesi altında 13 Ağustos 2005 tarihinden itibaren geçerli olmak üzere, elektrikli ve elektronik malzemeler diğer atıklar gibi çöpe atılmayacak ve bu elektronik cihazların üreticileri, cihazların kullanım süreleri bittikten sonra ürünleri geri toplamakla yükümlü olacaktır. Avrupa Birliği'ne satılan MSI markalı ürünlerin kullanım süreleri bittiğinde MSI ürünlerin geri alınması isteği ile işbirliği içerisinde olacaktır. Ürünlerinizi yerel toplama noktalarına bırakabilirsiniz.

ČESKY

Záleží nám na ochraně životního prostředí - společnost MSI upozorňuje...
Podle směrnice Evropské unie ("UE") o likvidaci elektrických a elektronických výrobků 2002/96/

EC platné od 13. srpna 2005 je zakázáno likvidovat "elektrické a elektronické výrobky" v běžném komunálním odpadu a výrobci elektronických výrobků, na které se tato směrnice vztahuje, budou povinni odebrat takové výrobky zpět po skončení jejich životnosti. Společnost MSI splní požadavky na odebrání výrobků značky MSI, prodávaných v zemích EU, po skončení jejich životnosti. Tyto výrobky můžete odevzdat v místních sběrnách.

MAGYAR

Annak érdekében, hogy környezetünket megvédjük, illetve környezetvédeként fellépve az MSI emlékezteti Önt, hogy ...

Az Európai Unió („EU”) 2005. augusztus 13-án hatályba lépő, az elektromos és elektronikus berendezések hulladékaikról szóló 2002/96/EK irányelve szerint az elektromos és elektronikus berendezések többé nem kezelhetők lakossági hulladékként, és az ilyen elektronikus berendezések gyártói kötelesek válnak az ilyen termékek visszavételére azok hasznos élettartama végén. Az MSI betartja a termék visszavételével kapcsolatos követelményeket az MSI márkánév alatt az EU-n belül értékesített termékek esetében, azok élettartamának végén. Az ilyen termékeket a legközelebbi gyűjtőhelyre viheti.

ITALIANO

Per proteggere l'ambiente, MSI, da sempre amica della natura, ti ricorda che...

In base alla Direttiva dell'Unione Europea (EU) sullo Smtaltimento dei Materiali Elettrici ed Elettronici, Direttiva 2002/96/EC in vigore dal 13 Agosto 2005, prodotti appartenenti alla categoria dei Materiali Elettrici ed Elettronici non possono più essere eliminati come rifiuti municipali: i produttori di detti materiali saranno obbligati a ritirare ogni prodotto alla fine del suo ciclo di vita. MSI si adegnerà a tale Direttiva ritirando tutti i prodotti marchiati MSI che sono stati venduti all'interno dell'Unione Europea alla fine del loro ciclo di vita. È possibile portare i prodotti nel più vicino punto di raccolta

日本JIS C 0950材質宣言

日本工業規格JIS C 0950により、2006年7月1日以降に販売される特定分野の電気および電子機器について、製造者による含有物質の表示が義務付けられます。

http://www.msi.com/html/popup/csr/cemm_jp.html
http://tw.msi.com/html/popup/csr_tw/cemm_jp.html

India RoHS

This product complies with the "India E-waste (Management and Handling) Rule 2011" and prohibits use of lead, mercury, hexavalent chromium, polybrominated biphenyls or polybrominated diphenyl ethers in concentrations exceeding 0.1 weight % and 0.01 weight % for cadmium, except for the exemptions set in Schedule 2 of the Rule.

Türkiye EEE yönetmeliği

Türkiye Cumhuriyeti: EEE Yönetmeliğine Uygundur

Україна обмеження на наявність небезпечних речовин

Обладнання відповідає вимогам Технічного регламенту щодо обмеження Використання деяких небезпечних речовин в електричному та електронному обладнанні, затвердженого постановою Кабінету Міністрів України від 3 грудня 2008 № 1057.

Việt Nam RoHS

Kể từ ngày 01/12/2012, tất cả các sản phẩm do công ty MSI sản xuất tuân thủ Thông tư số 30/2011/TT-BCT quy định tạm thời về giới hạn hàm lượng cho phép của một số hóa chất độc hại có trong các sản phẩm điện, điện tử"

Wireless Radio Use

This device is restricted to indoor use when operating in the 2.4GHz, 5GHz frequency band.

Cet appareil doit être utilisé à l'intérieur.

당해 무선설비는 운용중 전파혼신 가능성이 있음.

この製品は、周波数帯域 2.4GHz, 5GHz で動作しているときは、屋内においてのみ使用可能です。

NCC無線設備警告聲明


工作頻率 2.4GHz, 5GHz 該頻段限於室內使用。經型式認證合格之低功率射頻電機，非經許可，公司、商號或使用者均不得擅自變更頻率、加大功率或變更原設計之特性及功能。

低功率射頻電機之使用不得影響飛航安全及干擾合法通信；經發現有干擾現象時，應立即停用，並改善至無干擾時方得繼續使用。前項合法通信，指依電信法規定作業之無線電通信。低功率射頻電機須忍受合法通信或工業、科學及醫療用電波輻射性電機設備之干擾。

Products with radio functionality (EMF)

This product incorporates a radio transmitting and receiving device. For computers in normal use, a separation distance of 20 cm ensures that radio frequency exposure levels comply with EU requirements. Products designed to be operated at closer proximities, such as tablet computers, comply with applicable EU requirements in typical operating positions. Products can be operated without maintaining a separation distance unless otherwise indicated in instructions specific to the product.


Restrictions for products with radio functionality

 CAUTION: IEEE 802.11x wireless LAN with 5.15–5.35 GHz frequency band is restricted for indoor use only in all European Union member states, EFTA (Iceland, Norway, Liechtenstein), and most other European countries (e.g., Switzerland, Turkey, Republic of Serbia). Using this WLAN application outdoors might lead to interference issues with existing radio services.

Radio frequency bands and maximum power levels

Features	:802.11 a/b/g/n/ac, BT
Frequency Range	:2.4GHz, 5GHz
Modulation	:FHSS, DSSS, OFDM
Power Output	:10, 20, 23
Channel Band Width	:1, 5, 20, 40, 80MHz

产品中有害物质的名称及含量

部件名称	有害物质					
	铅 (Pb)	汞 (Hg)	镉 (Cd)	六价铬 (Cr(VI))	多溴联苯 (PBB)	多溴二苯醚 (PBDE)
印刷电路板组件*	×	○	○	○	○	○
电池** 	×	○	○	○	○	○
外部信号连接头	×	○	○	○	○	○
线材	×	○	○	○	○	○

本表格依据 SJ/T 11364 的规定编制。

○：表示该有害物质在该部件所有均质材料中的含量均在 GB/T 26572 规定的限量要求以下。

×：表示该有害物质至少在该部件的某一均质材料中的含量超出 GB/T 26572 规定的限量要求，但所有部件都符合欧盟 RoHS 要求。

* 印刷电路板组件：包括印刷电路板及其构成的零部件。

** 电池本体上如有环保使用期限标识，以本体标识为主。

■ 上述有毒有害物质或元素清单会依型号之部件差异而有所增减。

■ 产品部件本体上如有环保使用期限标识，以本体标识为主。

限用物質含有情況標示聲明書

單元	限用物質及其化學符號					
	鉛 (Pb)	汞 (Hg)	鎘 (Cd)	六價鉻 (Cr ^{VI})	多溴聯苯 (PBB)	多溴二苯醚 (PBDE)
電路板	○	○	○	○	○	○
電子元件	—	○	○	○	○	○
金屬機構件	—	○	○	○	○	○
塑膠機構件	○	○	○	○	○	○

備考 1. “超出 0.1 wt %” 及 “超出 0.01 wt %” 係指限用物質之百分比含量超出百分比含量基準值。

備考 2. “○” 係指該項限用物質之百分比含量未超出百分比含量基準值。

備考 3. “—” 係指該項限用物質為排除項目。

Copyright

msi Micro-Star Int'l Co., Ltd.
Copyright © 2018 All rights reserved.

The MSI logo used is a registered trademark of Micro-Star Int'l Co., Ltd. All other marks and names mentioned may be trademarks of their respective owners. No warranty as to accuracy or completeness is expressed or implied. MSI reserves the right to make changes to this document without prior notice.

Technical Support

If a problem arises with your system and no solution can be obtained from the user guide, please contact your place of purchase or local distributor. Alternatively, please try the following help resources for further guidance.

- Visit the MSI website for technical guide, BIOS updates, driver updates, and other information: <http://www.msi.com>
- Register your product at: <http://register.msi.com>

Revision History

Version 1.0, 2018/08, First release