

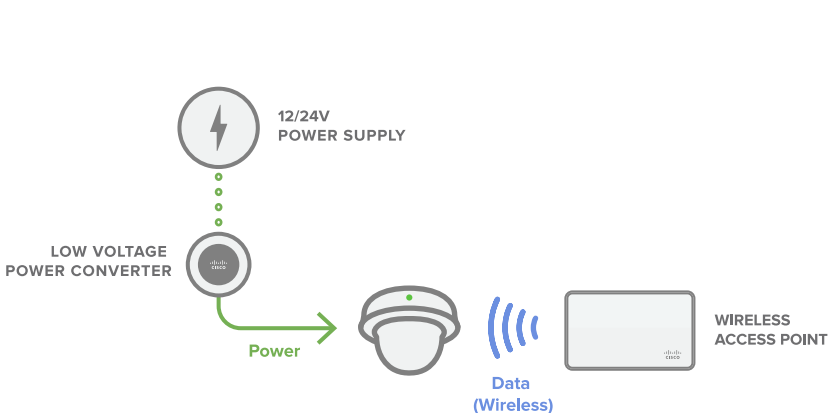
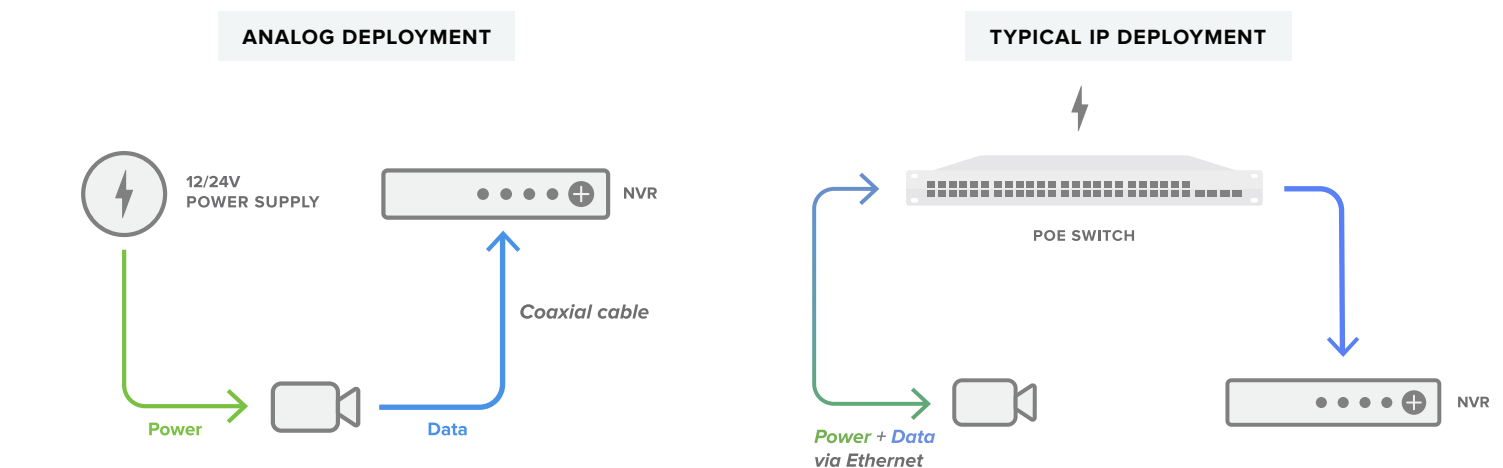
Wireless Functionality on MV Cameras

Drawing on Cisco Meraki's wireless heritage, MV cameras utilize wireless technology to make the transition to IP-based Meraki security cameras easier, less expensive, and more flexible.

UPGRADING FROM ANALOG TO IP

Traditionally, upgrading from analog camera deployments to IP-based cameras requires recabling an entire site location. Re-cabling is required for two reasons: (1) IP cameras are powered via PoE, while analog deployments typically rely on low voltage (12/24V) power supplies, and (2) IP cameras transmit data over Ethernet while

analog deployments rely on coaxial cables. So, in order to upgrade to a digital system, organizations generally have to rip out their coax and power cabling, replacing it with Ethernet and PoE switching infrastructure. This process is not only costly, but also results in significant downtime for a business.



WIRELESS CAPABILITY ON MV

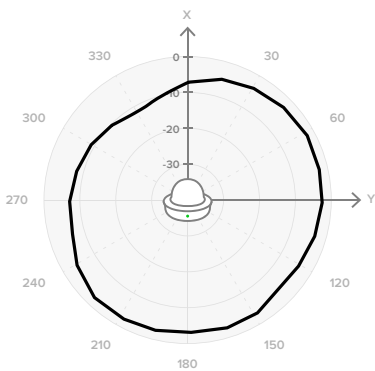
Though the primary recommended mode of power and data transmission for MV is hardwired Ethernet when possible, MV cameras (MV12 [2018] and later) are able to act as wireless clients, providing a second option for the wireless transmission of video data. Coupled with the Meraki MV low voltage power converter, MV provides a more affordable alternative to deployments requiring re-cabling that might otherwise be cost-prohibitive. Simply configure wireless settings in the Meraki dashboard, connect the cameras to the LAN for configuration download, and then mount cameras, connected to power, within range of an access point. The wireless functionality on MV works with any brand of wireless access point.

LOW VOLTAGE POWER CONVERTER

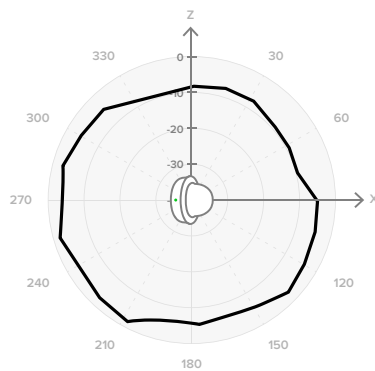
This unique accessory converts existing low voltage (12VDC/24VAC) power supplies into PoE, allowing users to upgrade from analog to IP in just one installation step. Two wire cables can be disconnected from an analog camera and connected to the two terminals within the accessory in either order. The coaxial cable from the analog camera can simply be left in the wall and will no longer be used. Instead, video data will transmit wirelessly from the camera to the viewing computer (local connection) or through the Meraki cloud (for video proxy to a remote viewing device).



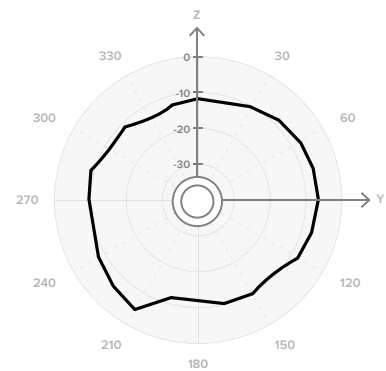
MV12 Radiation Pattern for 2.4 GHz Antennas



2.4 GHz-XY

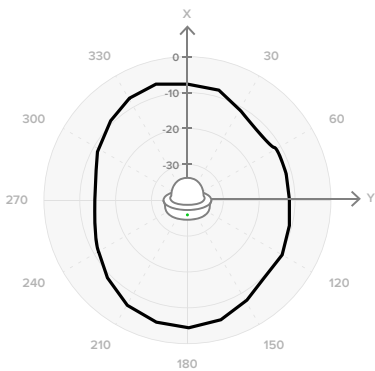


2.4 GHz-ZX

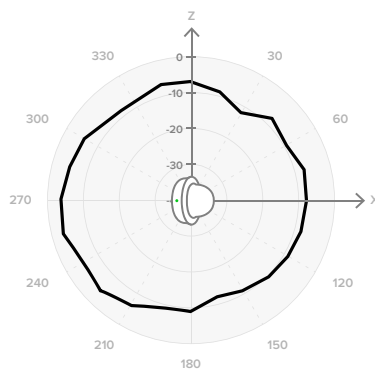


2.4 GHz-ZY

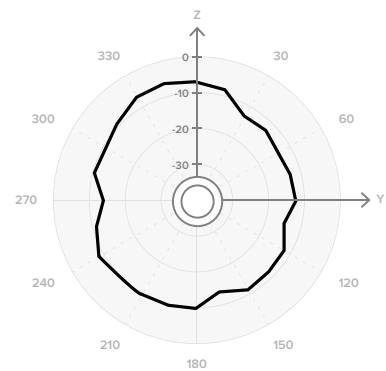
MV12 Radiation Pattern for 5 GHz Antennas



5 GHz-XY



5 GHz-ZX



5 GHz-ZY

Low Voltage Power Converter Specifications

Physical Characteristics

82(D) x 35.5mm

190g

Female RJ45 Ethernet connector

Two wire screw down terminal

Single color white power LED

Security screw

Environment

Starting temperature: 0°C - 45°C (32°F - 113°F)

Working temperature: 0°C - 45°C (32°F - 113°F)

Warranty

One year warranty

Power

Input Rating: 24 VAC / 2.2A, 12VDC / 2.75A

Output Rating: 54V / 0.43A

In the box

Quick start & installation guide

Low Voltage Power Converter hardware

Wall mounting kit

Ordering Information

MA-PWR-MV-LV

Compliance

Safety Approvals

CSA / CB / UL / TUV (electrical safety)

CAN / CSA-C22.2 No. 60950-1-07)

ANSI / UL Std. No. 60950-1

IEC / EN 60950-1

CB

RCM

UL 2043

Radio Approvals

EN 55035, EN 55024, EN 300 386 (Europe)

FCC (USA)

ICES-330 (Canada)

CISPR 32 (Australia / New Zealand)

VCCI (Japan)