



HELOR SERIES

REAL GEAR FOR REAL GAMERS



COUGAR's Helor Liquid Cooling Series is the perfect solution for gamers who require powerful CPU cooling with astounding visuals.

CONTENTS

РУССКИЙ

- Встроенный насос и резервуар: повышенная прочность.
- Полная видимость: индикатор визуального потока и прозрачное окно для проверки уровня охлаждающей жидкости.
- Динамические эффекты RGB: адресное RGB-освещение как в водном блоке, так и в вентиляторах.
- Vortex Omega 120: расширенный диапазон скорости для оптимального соотношения шума/производительности.
- Поддерживает оба разъема: COUGAR Core Box v2 с пультом дистанционного управления и 5-вольтовое RGB подключение к материнской плате.
- Микроканальная конструкция: простота обслуживания (включает дополнительную охлаждающую жидкость).
- Трубочные и удлиненные трубки для повышения долговечности и надежности.

FRANÇAIS

- Pompe et réservoir intégrés : Durabilité accrue
- Visibilité complète : Indicateur visuel de débit et fenêtre transparente pour contrôler le niveau de liquide de refroidissement.
- Effets RVB dynamiques : Éclairage RVB adressable dans le waterblock et les ventilateurs
- Vortex Omega 120 : Plage de vitesse éendue pour un rapport bruit/performance optimal.
- Prend en charge le COUGAR Core Box v2 inclus avec télécommande et les embases de carte mère RVB 5 V.
- Conception remplaçable : Maintenance facile (Dont liquide de refroidissement supplémentaire).
- Tubes étendus et a manchons pour une durabilité et une fiabilité accrues.

POLISH

- Zintegrowana pompa i zbiornik: większa trwałość
- Pełna widoczność: wizualny wskaźnik przepływu i przezroczyste okno do sprawdzania poziomu płynu chłodzącego
- Dynamiczne efekty podświetlenia RGB: adresowalne podświetlenie RGB bloku wodnego i wentylatorów
- Vortex Omega 120: rozszerzony zakres prędkości dla optymalnego stosunku poziomu hałasu do wydajności
- Obsługa dołączonego COUGAR Core Box v2 z pilotem zdalnego sterowania i złączy header 5V RGB na płycie głównej
- Możliwość wielokrotnego napełniania: łatwa konserwacja (dodatkowy płyn chłodzący w zestawie)
- Rurki w oplocie i przedłużające dla większej trwałości i niezawodności

HUNGARIAN

- Integrált szivattyú és tartály: fokozott tartósság
- Teljes láthatóság: vizuális áramlásjelző és átlátszó ablak a hűtőfolyadék szint ellenőrzéséhez
- Dinamikus RGB-efektusok: címezhető RGB-világítás a vízblokkhoz és a ventilátorokhoz
- Vortex Omega 120: kibővített sebesség tartomány az optimális zaj/teljesítmény arányhoz
- A tartozékként kapott COUGAR Core Box v2 ot a távvezérlővel, illetve az 5 V-os RGB alaplapi csatlakozósorokat egyaránt támogatja
- Újíthatóság kialakítás: egyszerű karbantartás (plusz hűtőfolyadékot tartalmaz)
- Tokban elhelyezett és kibővített csővezeték a fokozott tartósság és megbízhatóság érdekében

CONTENTS

ENGLISH

- Integrated Pump and Reservoir: Increased Durability
- Full Visibility: Visual Flow Indicator and Transparent Window to Check the Coolant Level
- Dynamic RGB Effects: Addressable RGB Lighting in Both Water Block and Fans
- Vortex Omega 120: Extended Speed Range for Optimal Noise/Performance Relation
- Supports Both Included COUGAR Core Box v2 with Remote Control and 5V RGB Motherboard Headers
- Refillable Design: Easy Maintenance (Includes Additional Coolant).
- Sleeved and Extended Tubing for Improved Durability and Reliability

DEUTSCH

- Pumpe und Behälter integriert: Erhöhte Beständigkeit
- Uneingeschränkte Sichtbarkeit: Visuelle Fließanzeige und transparentes Fenster zur Prüfung des Kühlmittelstands.
- Dynamische RGB-Effekte: Adressierbare RGB-Beleuchtung in Wasserblock und Lüftern
- Vortex Omega 120: Vergrößerter Geschwindigkeitsbereich für optimale Geräusch-Leistung-Verhältnis.
- Unterstützt sowohl mitgelieferte COUGAR Core Box v2 mit Fernbedienung als auch 5-V-RGB-Motherboard-Stiftleisten.
- Auffüllbares Design: Einfache Wartung (inklusive zusätzlichen Kühlmittels).
- Ummantelte und erweiterte Verschlauchung für verbesserte Beständigkeit und Zuverlässigkeit.

ITALIA

- Pompa e serbatoio integrati: maggiore durata
- Visibilità totale: indicatore del flusso visivo e finestra trasparente per il controllo del livello del refrigerante.
- Effetti RGB dinamici: illuminazione RGB indirizzabile sia nell'idroblock che nelle ventole
- Vortex Omega 120: intervallo di velocità esteso per rapporto ottimale rumore/prestazioni.
- Supporta COUGAR Core Box v2 incluso con telecomando e i connettori per scheda madre RGB 5V.
- Design ricaricabile: facile manutenzione (include refrigerante aggiuntivo).
- Tubi con maniccotti ed estesi per una maggiore durata e affidabilità.

日本語

- 一体型ポンプと水櫃：耐久性を向上
- 完全な可視性：フローインジケータと透明サイドウインドウによって、いつでもクーラント液の水位を確認できます
- ダイナミックRGBエフェクト：アドレス可能なRGB LED付き水冷ヘッドとファン
- Vortex Omega 120：ノイズとパフォーマンスのバランスを最適化した拡張速度範囲
- COUGAR Core Box v2、ワイヤレスリモコンとマザーボード用の5V RGBコネクタを搭載
- 再充填可能な設計：簡単なメンテナンス（補充クーラント液を含む）
- マッシュアップと長くしたデザインによって、耐久性と信頼性をアップしたチューブ

ESPAÑOL

- Bomba e Reservatório Integrados para Mayor Durabilidad
- Visibilidad Completa: Indicador Visual de Flujo y Ventana Transparente para Consultar el Nivel de Refrigerante
- Efectos RGB Dinámicos: LEDs RGB Direccionalables tanto en el Bloque de Agua como en la Ventilación
- Vortex Omega 120: Rango de Velocidad Extendido para Optimizar Relación Rendimiento/Ruido
- Soporta tanto COUGAR Core Box v2 (incluida) con Control Remoto como Conexión 5V RGB a Placas Base Compatibles
- Diseño Recargable: Fácil Mantenimiento (Incluye Refrigerante Adicional)
- Tubos con Mangas Extraplargos para Mayor Fiabilidad y Durabilidad.

PORTUGUÊS

- Bomba e Reservatório Integrados: Durabilidade Aumentada
- Visibilidade Total: Indicador de Fluxo Visual e Janela Transparente para Verificar o Nível do Líquido Refrigerante.
- Efeitos RGB Dinâmicos: Iluminação RGB Endereçável em Blocos de Água e Ventoinhas
- Vortex Omega 120: Faixa de Velocidade Estendida para Relação Ideal de Ruído/Desempenho.
- Suporta Tanto a COUGAR Core Box v2 inclusa com Controle Remoto como os cabçotes da Placa-mãe 5V RGB.
- Design Recarregável: Manutenção Fácil (inclui refrigerante adicional).
- Tubulação com Manga e Estendida para Mais Durabilidade e Confiabilidade.

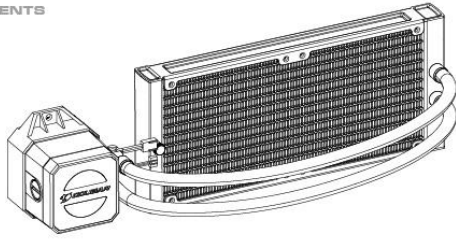
한국어

- 통합형 펌프 및 저장소 : 내구성 증가
- 완전한 가시성 : 흐름 표시기 및 냉각수 수준을 확인하는 투명한 윈도우
- 다이내믹한 RGB 효과 : Water Block 및 Fan 모두에서 활용 가능한 RGB 조명
- Vortex Omega 120 : 최적의 소음 / 성능을 위한 확장 속도 범위
- 원격 제어 및 5V RGB 마더 보드 헤더가 있는 COUGAR Core Box v2 모두 지원 가능
- 리필 가능한 디자인 : 쉬운 유지 보수 (추가 냉각제 포함)
- 향상된 내구성 및 신뢰성을 위한 슬리브 및 연장 튜브

中文

- 整合式水冷泵与水櫃：提升耐用度
- 全景透视：流量指示器与透明视窗让您随时确认水冷液的水位
- 动态RGB效果：水冷头与散热风扇具有可编程RGB效果
- Vortex Omega 120：加大的转速范围，可达到噪音与效能之间的最佳平衡
- 支援COUGAR Core Box v2与无线遥控器和主板的5V RGB接头
- 可补充式设计：轻松维护（包含额外的水冷液）
- 水冷管线的编织网与加长设计可提升耐用度与可靠性

CONTENTS



A Helor 240 / 360 x 1



B Helor 240 : Vortex Omega x 2
Helor 360 : Vortex Omega x 3



C Core Box v2 x 1



D Wireless Controller x 1



E Mounting Kit x 1



F Power Connector x 1



G 5V Addressable Header Adapter x 1



H 1 to 3 Fan Splitter x 1



I Maintenance Kit
(includes 100ml of Coolant and 1g of Thermal Paste)

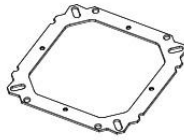
CONTENTS OF MOUNTING KIT



E Mounting Kit



E1 Backplate x 1



E2 Retention Bracket x 1



E6 Mounting Screw x 2



E7 Spacer x 4



E8 Helor 240 : Fan Screw x 8
Helor 360 : Fan Screw x 12



E3 Standoff x 4



E4 Long Standoff Screw x 4



E5 Short Standoff Screw x 4



E9 Helor 240 : Case Screw x 8
Helor 360 : Case Screw x 12



E10 Thermal Paste x 1

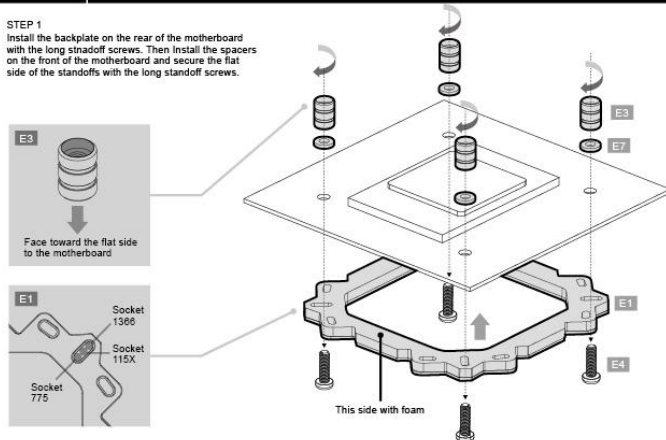


E11 Scraper x 1

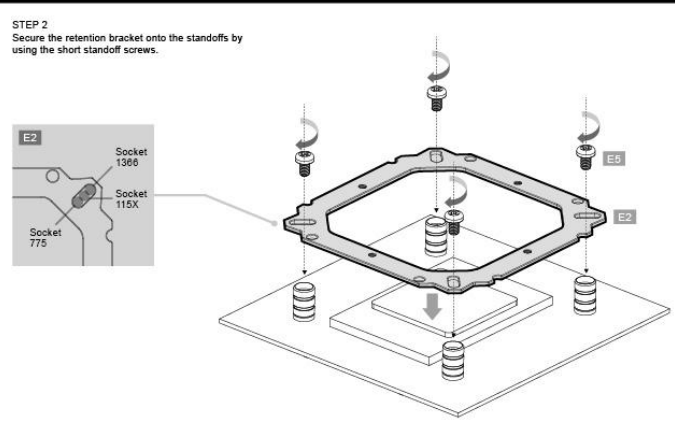
PREPARATION

Intel Socket 115X / 1366 / 775

STEP 1
Install the backplate on the rear of the motherboard with the long standoff screws. Then install the spacers on the front of the motherboard and secure the flat side of the standoffs with the long standoff screws.



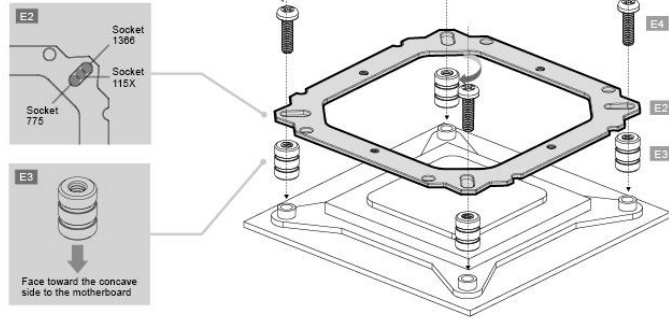
STEP 2
Secure the retention bracket onto the standoffs by using the short standoff screws.



PREPARATION

Intel Intel Socket 2066 / 2011 / 2011-3

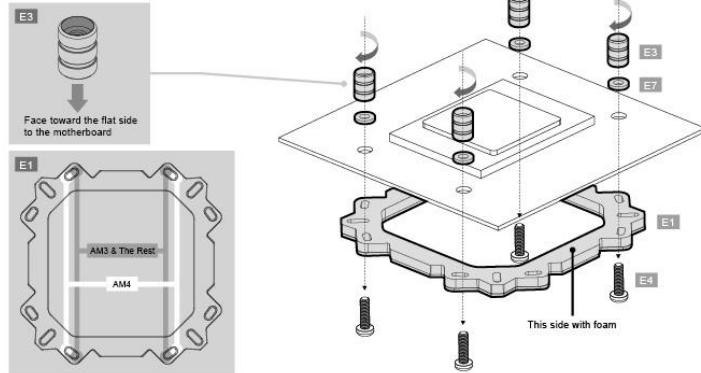
Install the concave side of the standoffs on the front of the motherboard and secure them with the retention bracket by using the long standoff screws.



PREPARATION

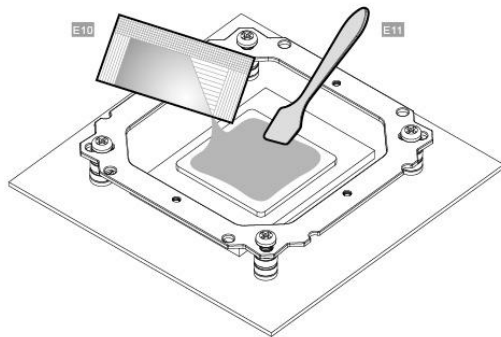
AMD

STEP 1
Install the backplate on the rear of the motherboard with the long standoff screws. Then install the spacers on the front of the motherboard and secure the flat side of the standoffs with the long standoff screws.



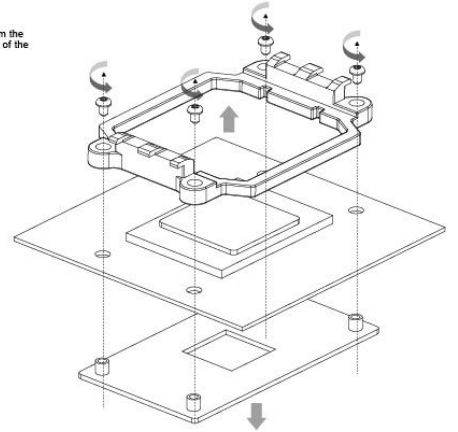
INSTALLATION

STEP 1
Apply the thermal paste evenly on the CPU's surface by using the scraper.

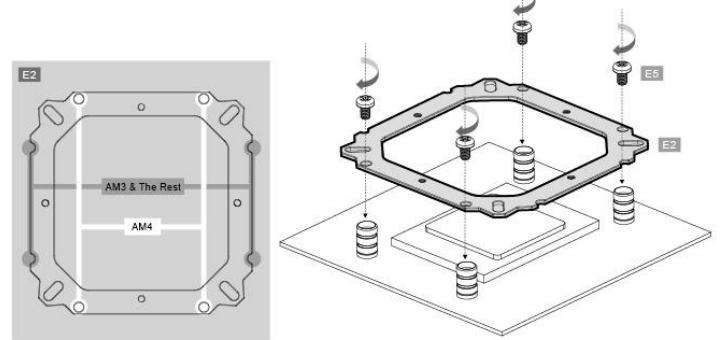


AMD

STEP 1
Remove the stock AMD mounting bracket from the front of and the stock backplate from the rear of the motherboard.



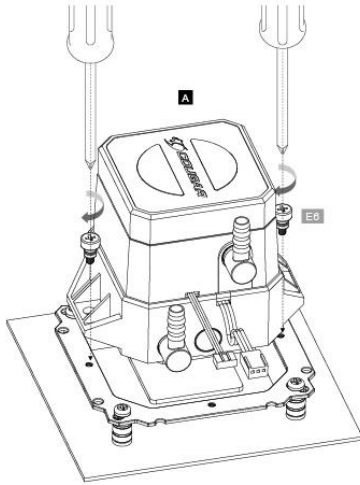
STEP 3
Secure the retention bracket onto the standoffs by using the short standoff screws.



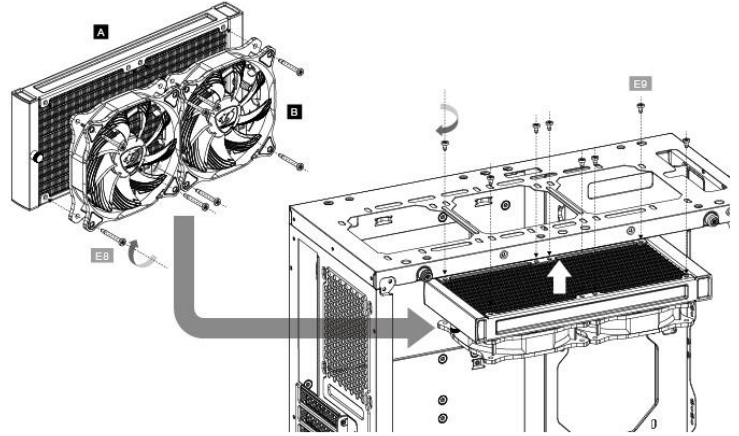
STEP 2
Remove the protective film from the bottom of the water block.



STEP 3
Install the water block onto the retention bracket by using the mounting screws.

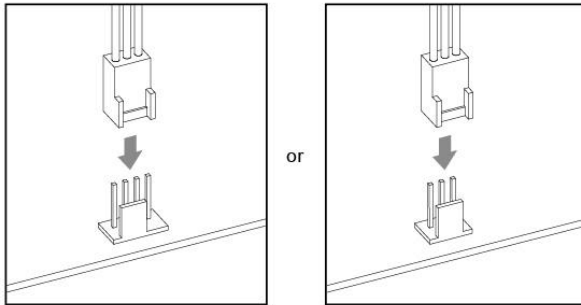


STEP 4
Install the Vortex Omega 120 fans and the radiator on the case by using the fan and case screws.



STEP 5
Connect the 3 pin pump cable of the water block to the AIO_PUMP header, the CPU_OPT or other suitable three or four pin headers from the motherboard. Please set this connected fan header at full speed or 100% duty in fan speed control of the BIOS.

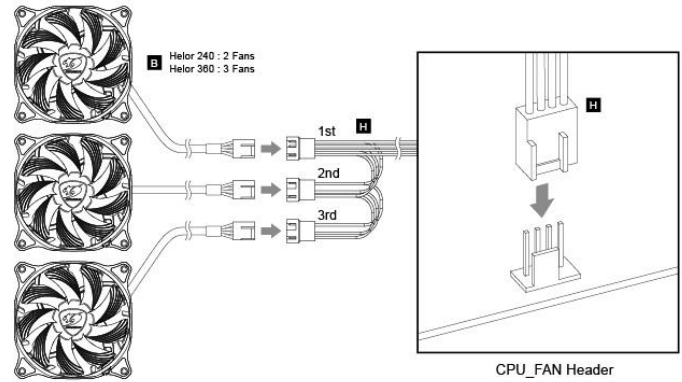
3 Pin Pump Cable



AIO_PUMP / CPU_OPT / 4 Pin Header

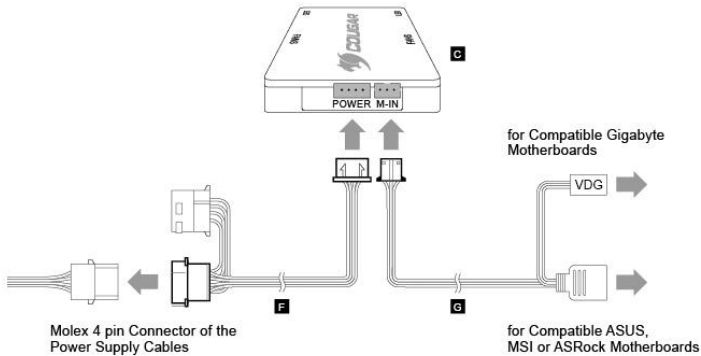
3 Pin Header

STEP 6
Connect all the 4 pin fan connectors to the 1 to 3 fan splitter and then connect the fan splitter to the CPU_FAN header on the motherboard. Please make sure the first connector of the fan splitter is connected.



CPU_FAN Header

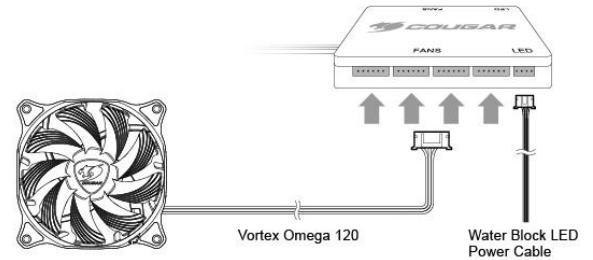
STEP 7
Connect the power connector to the Core Box v2 and the Molex 4 pin connector of the power supply, and use the 5V addressable header adapter to connect the Core Box v2 to a 3-pin 5V addressable RGB header of a compatible motherboard.



Molex 4 pin Connector of the Power Supply Cables

for Compatible ASUS, MSI or ASRock Motherboards

STEP 8
Connect the LED power cables of the Vortex Omega 120 fans and the water block to the FANS and LED connectors of the Core Box v2. When this step is finished, the installation will be completed.



Vortex Omega 120

Water Block LED Power Cable

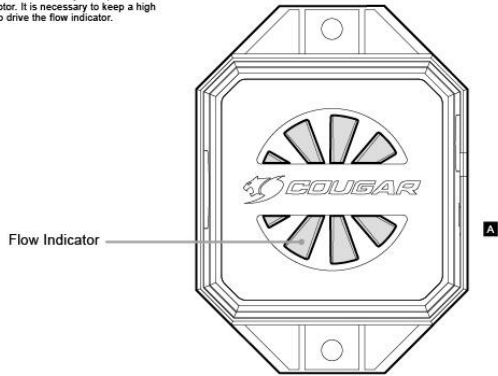
A Core Box V2 supports up to 8 RGB fans and 4 LED strips or 2 LED strips and 1 water block in separate LED connectors. LED strip is optional.

REFILL

STEP 1

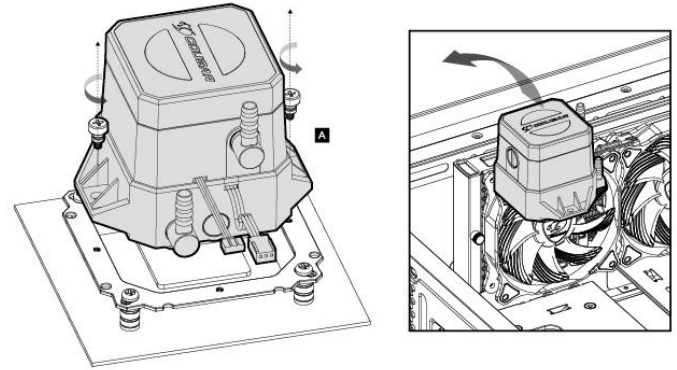
If the flow indicator on the water block is not running while the pump is activated, please refill the coolant.*

* The flow indicator is driven by the liquid flow caused by the pump rotor. It is necessary to keep a high coolant level to drive the flow indicator.



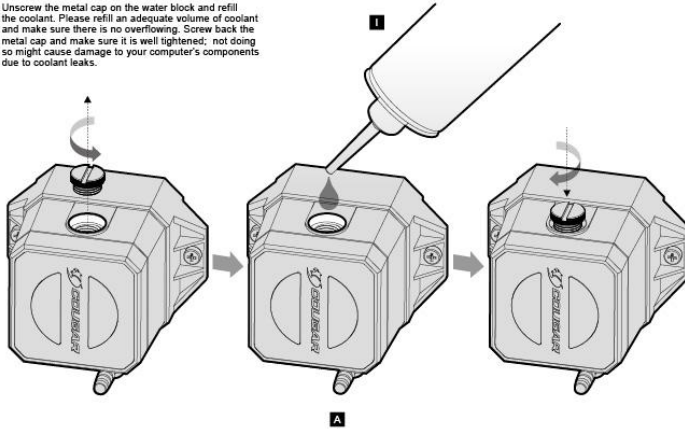
STEP 2

Uninstall the water block from the retention bracket and move it outside the case. Refill the coolant outside the case to avoid accidental damage to your computer's components due to coolant leaks.



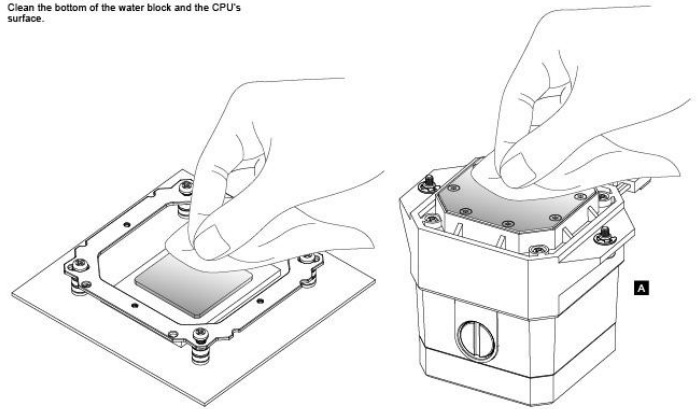
STEP 3

Unscrew the metal cap on the water block and refill the coolant. Please refill an adequate volume of coolant and make sure there is no overflowing. Screw back the metal cap and make sure it is well tightened, not doing so might cause damage to your computer's components due to coolant leaks.



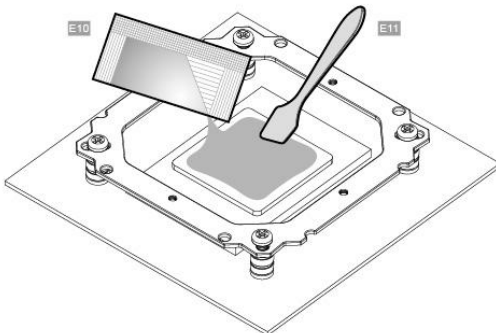
STEP 4

Clean the bottom of the water block and the CPU's surface.



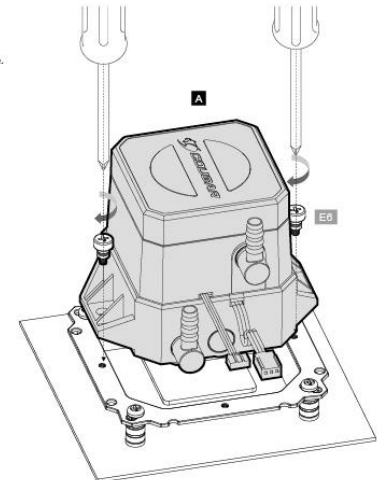
STEP 5

Apply the thermal paste evenly on the CPU's surface by using the scraper.

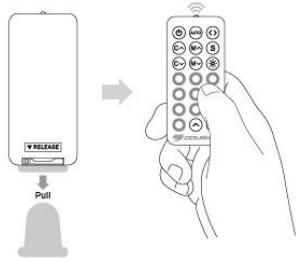


STEP 6

Install the water block onto the retention bracket by using the mounting screws. The refill procedure is now complete.

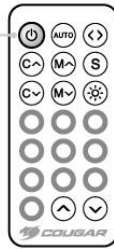


WIRELESS CONTROLLER

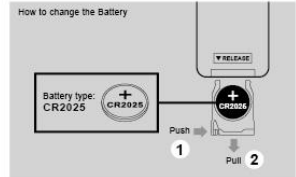


HOW TO SWITCH BETWEEN RGB CONTROL MODES
*BY PRESSING THE POWER BUTTON

Default: Remote Controller
Press Once: Motherboard Driver RGB Control
Press Again: Turn Off RGB Lighting

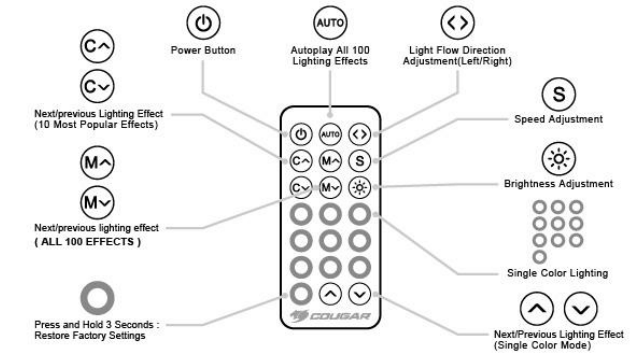


How to change the Battery



*This applies only to RGB devices connected to the COUGAR Core Box v2. Motherboard control is only available when the Core Box v2 is properly connected to a compatible motherboard's 5V Addressable RGB header.

WIRELESS CONTROLLER MODE



Press and hold for 5 seconds until the device's backlight changes to red. Bind your Core Box v2 to this Controller (If a nearby controller is interfering with your Core Box v2, you can make use of the binding functionality to prevent that Core Box v2 from receiving commands from any controller other than the one it's bound to)

Press and hold for 5 seconds until the device's backlight changes to white: Unbind Your Core Box v2 (If you lose your controller after binding, use the new Controller to unbind the Core Box v2 before using it)

PACKAGE CONTENTS

| | | |
|---------------------------------------------|--------------------------------------------------------|---------------------------------------------------------|
| Helor 240 x 1 / Helor 360 x 1 | Core Box v2 & Power Connector x 1 | 1 to 3 Fan Splitter x 1 |
| Vortex Omega 120 x 2 / Vortex Omega 120 x 3 | Wireless Controller x1 | Maintenance Kit (100 ml Coolant & 1g Thermal Paste) x 1 |
| Mounting Kit x 1 | 5V Addressable Header Adapter (Core Box v2 to M/B) x 1 | User Manual x 1 |

SPECIFICATIONS

| | | | |
|--------------------------|-------------------------------------------------------------------------------------------------------------------------------------------------------------------------------------------------------------------------------------------------------------------------------------------------------------------------------------------|---------------------|-------------------------------------------------------|
| Product Name | Helor 240 / Helor 360 | Radiator | |
| CPU Socket | Intel Socket 2066, 2011, 2011-3, 1366, 1156, 1155, 1151, 1150, 775 AMD Socket AM4, AM3+, AM3, AM2+, AM2, FM2+, FM2, FM1 (*) * Not compatible with SocketTR4 | Type | Helor 240 : 240mm / Helor 360 : 360mm |
| Recommended Applications | TDP of CPU is up to 160W Overclocking (**) ** The TDP values of CPU models can be found on Intel and AMD's websites. Overclocking requires models with higher cooling performance which means larger radiator sizes. We recommend users who overclock your CPUs to choose the 240mm or 360mm models to achieve lower CPU temperatures. | Dimension (WxDxH) | Helor 240 : 277x120x27 mm / Helor 360 : 394x120x27 mm |
| Water Block & Pump | | Material | Aluminum |
| Dimensions (WxDxH) | 81.8 x 94.8 x 78.3 mm | Tubing | |
| Cold Plate Material | Copper with Nickel Plating | Material | Durable Rubber with Sleeves |
| Pump Speed | 2700 ± 10% R.P.M. | Length | 360 & 400 mm |
| Rated Voltage | 12 VDC | Fans | |
| Rated Current | 0.28 A | Fan Model | Vortex Omega 120 |
| Power Consumption | 3.36 W | Fan Quantity | Helor 240 : 2 / Helor 360 : 3 |
| Cable Length | Pump power: 300 mm / LED power: 600 mm | Dimensions (WxDxH) | 120 x 120 x 25 mm |
| Connector & Control | 3 Pin Fixed Speed | Bearing Type | Hydro-Dynamic Bearing |
| Lights | 12 Addressable RGB LEDs (5V) | Fan Speed | 600-1600 ± 200 R.P.M |
| | | Air Flow | 78.4 CFM (Max.) |
| | | Air Pressure | 2.4 mm-H2O (Max.) |
| | | Acoustic Noise | 37.1 dB(A) (Max.) |
| | | Rated Voltage | 12 VDC |
| | | Rated Current | 0.16 A |
| | | Power Consumption | 1.92 W |
| | | Cable Length | Fan power: 600 mm / LED power: 600 mm |
| | | Connector & Control | 4 Pin PWM |
| | | Lights | 10 Addressable RGB LEDs (5V) |

The above specifications may vary by country or region

LEGAL NOTICES

This manual was created by Compucase Enterprise and may not be completely or partially copied, passed on, distributed or stored without written consent by Compucase Enterprise. COUGAR® is a registered brand of Compucase Enterprise. Other product and company names mentioned in this documentation may be brands or trademarks of their respective owners. Compucase Enterprise reserves the right to make changes concerning the contents of the manual and the technical data of the product without previous announcement.



All other registered trademarks belong to their respective companies.

ДАТА ИЗГОТОВЛЕНИЯ ПРОДУКЦИИ

год и месяц изготовления продукции указаны в серийном номере продукта. (существует 2 способа определения даты изготовления, оба способа описаны ниже)

А После S/N: первые две цифры означают год, вторые две – месяц изготовления.

Например, S/N: H1702000001 означает, что товар был произведен в феврале 2017 года.

В После S/N: если указаны буквы, то две буквы представляют цифры на таблице ниже, и означают год, последующие две цифры – месяц изготовления.

Например, S/N: DAG02REVI000001 означает, что товар был произведен в феврале 2017 года.

| | | | | | | | | | |
|---|---|---|---|---|---|---|---|---|---|
| A | B | C | D | E | F | G | H | I | J |
| 1 | 2 | 3 | 4 | 5 | 6 | 7 | 8 | 9 | 0 |

* Например, AG = 17 = 2017 год

MANUFACTURER CONTACT

COUGAR USA Technical Service
Tel: (833) 256-3778
Mail: rna@compucaseusa.com
http://cougargaming.com/support/contact/upload/

Compucase Enterprise Co., Ltd.
No. 225, Lane 54, An-Ho Road Sec. 2 Tainan, Taiwan, R.O.C
Tel: +886-6-356-0606
Service E-Mail: service@cougargaming.com

For more information, please visit <http://cougargaming.com>

طابعات التركيب والاسم:
- يجب عدم العبث بالدواسة والعتبات الفوقية لأنها ستسبب تلفاً خطيراً.
- لا تستخدم لوحة المفاتيح على الأرض، وتذكر دائماً إخراجها من المكتب.
- التزم بالوضع الصحيح والمرتبة عند استخدام لوحة المفاتيح.
- يجب التأكد من توصيل كافة التوسيلات بالشكل الصحيح.
- تجنب الجفاف بعيداً عن مصادر المياه والأطعمة.
- فصل التيار الكهربائي فوراً في حالة الانتهاء من استخدام المنتج.
- تأكد من فصل الطاقة قبل ما يمسك أي قطعة من هذا الجهاز.

Compucase Enterprise Co., Ltd.
All rights reserved. Made in China

GLOBAL WARRANTY POLICY

WARRANTY PERIODS OF COUGAR GAMING DEVICES

Product: COUGAR Helor series CPU liquid cooler

Warranty: 2 Years

This warranty gives you specific legal rights. You may also have other rights granted under local law.

WARRANTY AGREEMENT

If the product has defects in material or manufacture, COUGAR will provide product repair and replacement service within the warranty period.
*Our warranty service is based on the date of the invoice or warranty card (must be affixed with the store stamp). If you lose the aforementioned evidence, we will apply the original shipping date of the product as the beginning date of warranty period. The shipping date will be identified by the product serial number(S/N).

CONDITIONS WHERE FREE MAINTENANCE IS NOT PROVIDED

- *Any fault or damage caused by natural disasters (including storm, fire, flood, thunder, earthquake, etc).
- *Any fault or damage caused by accidental factors and man-made reasons (including hit, scrape, crash, moving, compression, stain, corrosion, use of incurred on unstable voltage, computer virus, not, mouse, malicious damage, etc).
- *Use in an improper operating environment (including high temperature, high humidity, water inflow, etc).
- *Unable to provide the product warranty card, purchase receipt or invoice to prove the product is still within the warranty period and the shipping date of the product is out of warranty.
- *The warranty card or product serial number has been altered or its number is hard to identify.
- *The warranty period has expired.
- *Any fault or damage caused by non-compliance with regulations stated on the user manual or improper, rough and careless treatment.
- *Any fault or damage caused by use of parts not certified by COUGAR original manufacturer.
- *The problem is caused by improper repair or adjustment by the buyer or any manufacturer without authorization from COUGAR.
- *The product is not acquired from an authorized distributor of the company or is acquired from illicit sources.
- *Paper carton, instruction and other accessories are not warranted.

DISCLAIMERS

- *COUGAR does not authorize or endorse the user of COUGAR products as a part of, together with, or connected to, life support devices, medical equipment in general, military equipment, traffic or transportation-related equipment or disaster prevention systems.
- *COUGAR is not liable for any damage, expense, loss, cost, injury or any other result derived from the use of COUGAR products not specifically for PC gaming in the compatible operative systems indicated by COUGAR.
- *COUGAR is not liable for any damage, expense, loss, cost, injury or any other result due to use of COUGAR products not in strict accordance with the instructions provided by COUGAR in the instruction manual.
- *Software, instruction manuals, consumables (for example mouse pads, mouse feet, etc), boxes or other external packaging are not covered by the warranty.
- *For inquiries about the warranty, please contact us at service@cougargaming.com



COUGAR's Helor Liquid Cooling Series is the perfect solution for gamers who require powerful CPU cooling with astounding visuals.

