

# Z8304/08XE-CL

4/8 Channel Penta-brid 5MP Lite Digital Video Recorder



## Features

- H.264/H.264+ Decoding
- Support AHD/TVI/CVI/CVBS/IP Video Input
- Support HDMI Up To 1080P Output
- Support 4/8CH 5MP Lite Resolution Preview and Playback
- Cloud Service, P2P
- Mobile phone remote monitoring (iOS, Android)
- Multi-browser access (IE, Chrome, Firefox, Safari)



## System Overview

ZKTeco Z8000XE-CL series DVR could deliver up to 5MP Lite resolution excellent image over advanced H.264+ compression.

It's the ideal consideration for the balance of quality, performance and budget.

The friendly GUI provides intuitive shortcut operations, remote control and management, flexible storage, smart search and playback.

It's widely used for the government, banking sectors, manufacturers, educational or commercial projects.

Powered by the strong interoperability and Onvif Profile S, it's compatible with a variety of 3rd party crossing platform VMS.

## Functions

### 4-in-1 Auto Detection

It could detect the camera signal automatically without settings, true plug and play for AHD/TVI/CVI/CVBS.

### Long Distance Transmission

Powered by leading HD Videoloss technology, it supports up to 500m/800m transmission over RG59/RG6 coaxial cables separately.

### AntarView Pro Cloud Service

Flexibly and remotely monitor at anytime or anywhere with AntarView Pro APP.

## Technical Parameters

Model	Z8304XE-CL	Z8308XE-CL
-------	------------	------------

### System

Processor	Multi-core Embedded Processor
Operation System	Embedded Linux

### I/O port and Storage

Network Interface	1 RJ-45 port(10/100Mbps)
USB	2*USB 2.0
HDMI	1*1080P HDMI
VGA	1*VGA
Alarm Input	N/A
Alarm Output	N/A
RS-485	N/A
HDD	1 SATA, up to 8TB capacity for each HDD
e-SATA	N/A

### Playback and Backup

Playback Channel	4	8
Search Mode	Time/Date,MD and Exact Search	
Playback Function	Play, Pause, Stop, Rewind, Fast Play, Slow Play, Next Camera, Previous Camera, Full Screen, Shuffle, Backup Selection, Digital Zoom	
Backup Mode	USB device/Network	

### Network

Network Protocol	HTTPS, HTTP, TCP/IP, IPv4, UPnP, Onvif 2.6, RTSP, RTP, UDP, SMTP, SNMP, Multicast, IGMP, NTP, DHCP, DNS, DDNS, FTP, P2P
Max. Online User	5
Mobile App	Antarview Pro (IOS & Android)
Interoperability	Onvif Profile S, SDK

### Audio and Video

Audio Compression	G.711a	
Audio Bit Rate	64Kbps	
Video Input	4ch BNC interface (1.0Vp-p, 75 Ω)	8ch BNC interface (1.0Vp-p, 75 Ω)
AHD Input	5M,4M,3M,1080P, 720P	
TVI Input	1080P, 720P	
CVI Input	1080P, 720P	
IP Camera Input	Up to 8ch 2MP	Up to 16ch 2MP
Hybrid Mode	2ch(AHD/TVI/CVI/CVBS)+2ch(IP)	4ch(AHD/TVI/CVI/CVBS)+4ch(IP)
Two-way Talk	1 Channel Input, 1 Channel Output, RCA	

### Recording

Video Compression	H.264/H.264+	
Record Resolution	4ch 5MP Lite/1080P@12fps;	8ch 5MP Lite/1080P@12fps;
Frame Rate	1fps-15fps	
Incoming Bandwidth	32Mbps	64Mbps
Bitrate	11Kbps-4339Kbps	
Record Mode	Timing and alarm record, Timing Record, Alarm Record	

### Power

Power supply	DC 12V2A
Consumption	≤10W without HDD

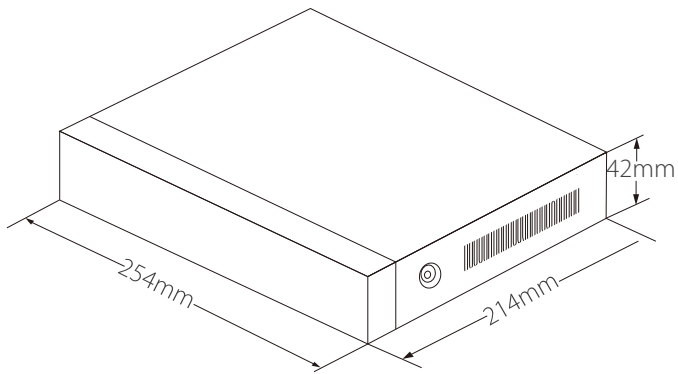
### General

Working Temperature	0℃~+55℃
Working Humidity	10~90%
Dimensions	254mmx214mmx42mm
Net Weight	1KG

## Ordering Information

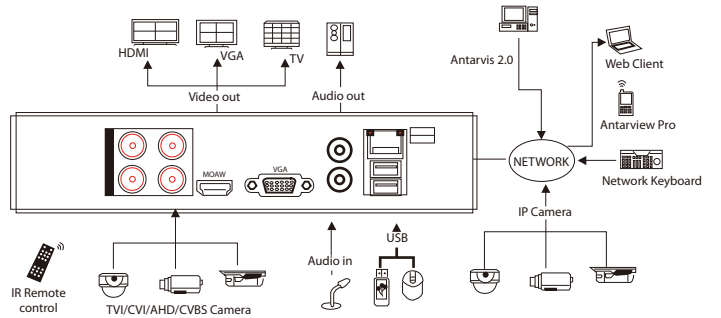
Type	Part Number	Description
5MP Lite DVR	Z8304XE-CL	4 channel 1 SATA DVR
	Z8308XE-CL	8 channel 1 SATA DVR

## Dimensions (mm)

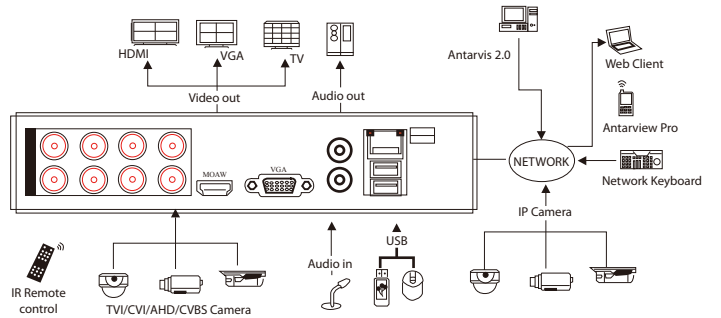


## Rear Panel

### Z8304XE-CL



### Z8308XE-CL



More details