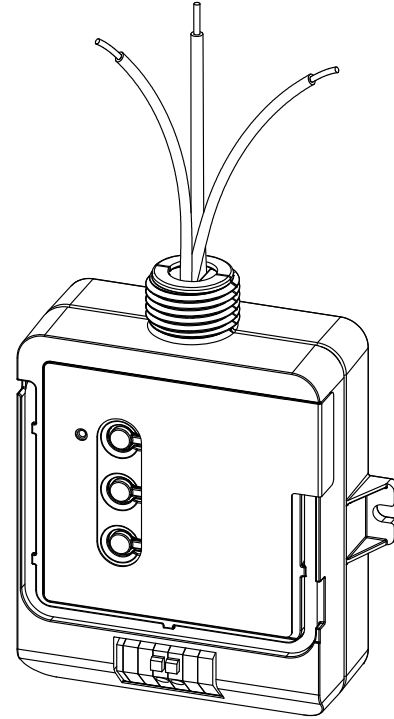


RF Dimming Module with 0–10 V_{DC} Control

Compatible with RadioRA® 2 and HomeWorks® QS systems

The RF Dimming Module with 0–10 V_{DC} control is a radio frequency (RF) control that operates 0–10 V_{DC} controlled fluorescent ballasts or LED drivers based on input from RadioRA® 2 and HomeWorks® QS systems.

- 0-10 V_{DC} control link automatically sources or sinks up to 60 mA to third-party fixtures.
- Switches line voltage up to 5 A.
- Configurable high- and low-end trim.
- Various operating voltages available—refer to model number chart below for details on voltage requirements.
- Utilizes Lutron® Clear Connect® RF Technology—refer to model number chart below for frequency band data and Lutron® system compatibility.
- RadioRA® 2 Inclusive or HomeWorks® QS software required for system functionality.
- Mounts to an electrical junction box through a 1/2 in (21 mm trade-size) knockout opening.
- Complies with requirements for use in a compartment handling environmental air (plenum) per NEC® 2011 300.22(C)(3) (LMJ- model only).



LMJ-5T-DV-B model shown

Models

Model Number	Region	Operating Voltage	Frequency Band	Compatible Systems
LMJ-5T-DV-B	U.S.A., Canada, Mexico	120/277 V _~	431.0–437.0 MHz	RadioRA® 2, HomeWorks® QS
LMK-5T-DV-B	Europe, U.A.E.	220–240 V _~	868.125–869.850 MHz	

NOTE: Contact Lutron for frequency band compatibility for your geographic region if it is not indicated above.

RF Dimming Module with 0–10 V_{DC} Control

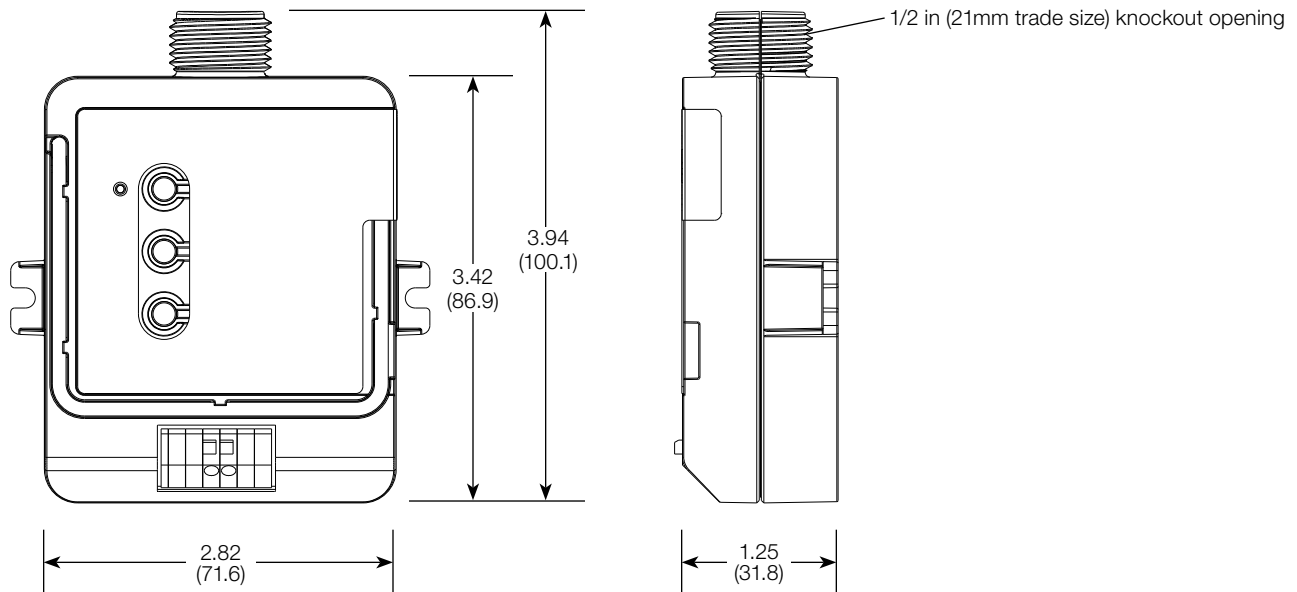
Specification

Model Number	LMJ-5T-DV-B, LMK-5T-DV-B
Power	120/277 V _{AC} 50/60 Hz 5 A (LMJ- model) 220–240 V _{AC} 50/60 Hz 5 A (LMK- model)
Typical Power Consumption	< 1.0 W Typical power test conditions: all loads off
Regulatory Approvals	UL [®] , UL 2043 Plenum Rated, FCC Approved. Complies with the limits for a Class B device, pursuant to Part 15 of the FCC rules: CSA, IC, NOM (LMJ- model) CE, TRA, CITC (LMK- model)
Environment	Ambient operating temperature: 32 °F to 104 °F (0 °C to 40 °C) Ambient operating humidity: 0% to 90% humidity, non-condensing. Indoor use only.
Communications	Operates using Clear Connect [®] RF Technology for reliable wireless communication; refer to model number chart on page 1 for frequency band details. RF range is 30 ft (9 m) from repeaters. Contact Lutron for applications using foil-backed or metallic ceiling tiles.
Load	0-10 V _{DC} Control Link Maximum Load: 60 mA, source or sink automatically configures. Control link compatible with ANSI E1.3 2001 (R2006), IEC 60929 Annex E. Switched Maximum load: 5 A lighting. No minimum load requirements. Load types include, but are not limited to: MLV, ELV, Incandescent, Magnetic fluorescent, Electronic fluorescent and LEDs.
Surge Protection	Tested to withstand surge voltages without damage or loss of operation, in accordance with IEEE C62.41-1991 Recommended Practice on Surge Voltages in Low-Voltage AC Power Circuits.
Mounting	Mounts to an electrical junction box through a 1/2 in (21 mm) trade-size knockout opening.
Warranty	www.lutron.com/TechnicalDocumentLibrary/Warranty.pdf www.lutron.com/TechnicalDocumentLibrary/Intl_Warranty.pdf

RF Dimming Module with 0–10 V_{DC} Control

Dimensions

Dimensions are shown as: in (mm)

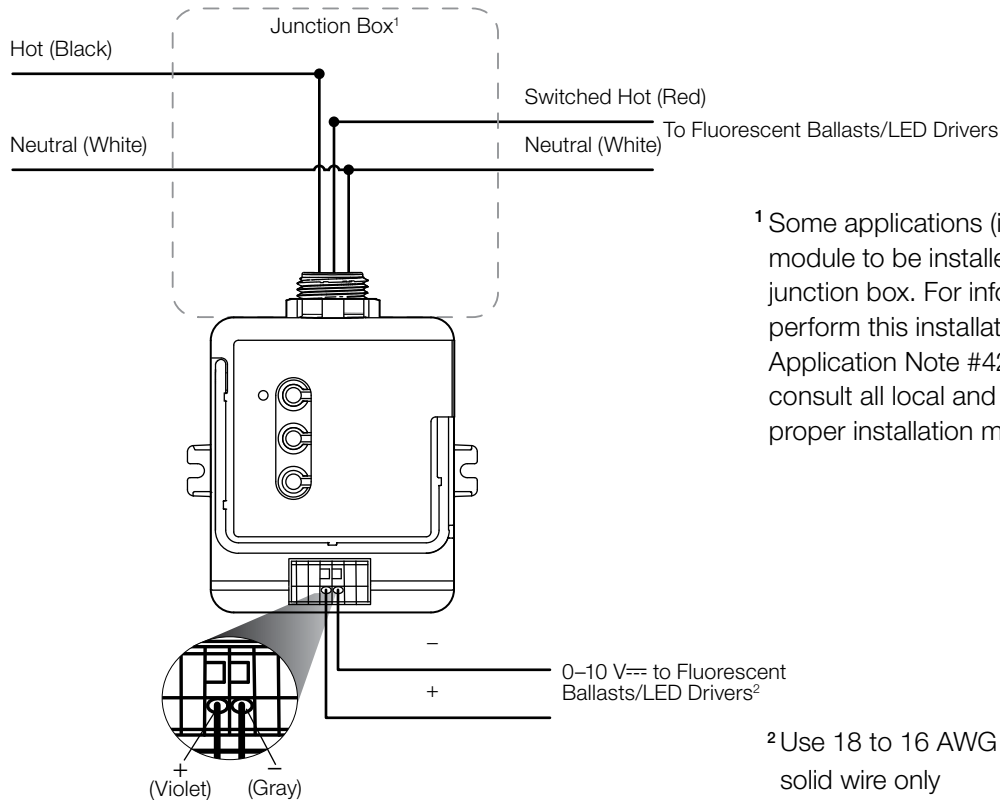


Dimensions for all models. Model LMJ-5T-DV-B shown.

RF Dimming Module with 0–10 V_{DC} Control

Wiring Schematics

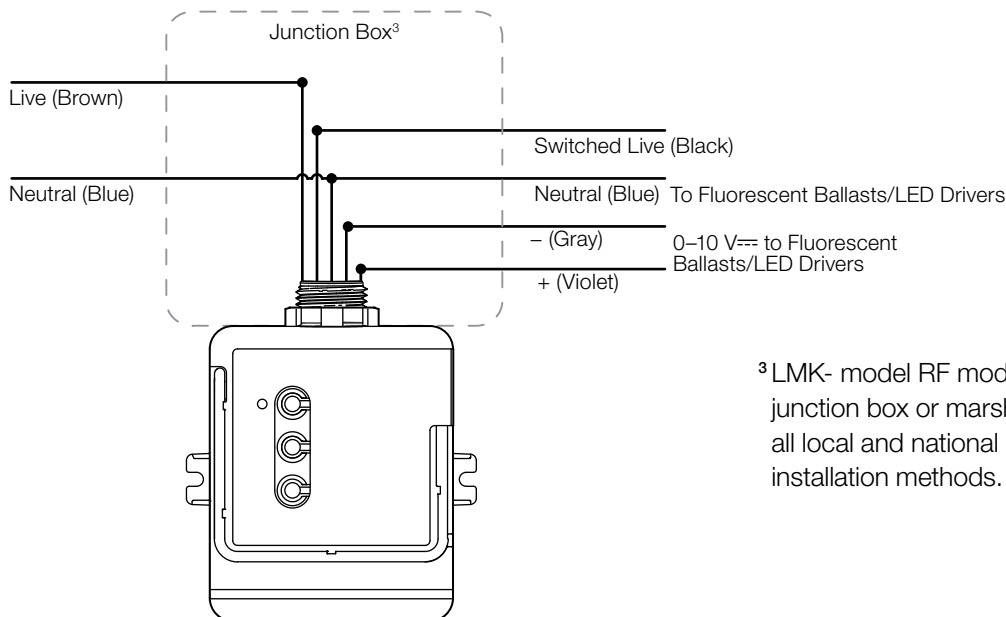
LMJ- model:



¹ Some applications (in the USA) require the RF module to be installed inside an additional junction box. For information about how to perform this installation, visit www.lutron.com, Application Note #423 (P/N 048423). Please consult all local and national electric codes for proper installation methods.

² Use 18 to 16 AWG (0.75 to 1.5 mm²) solid wire only

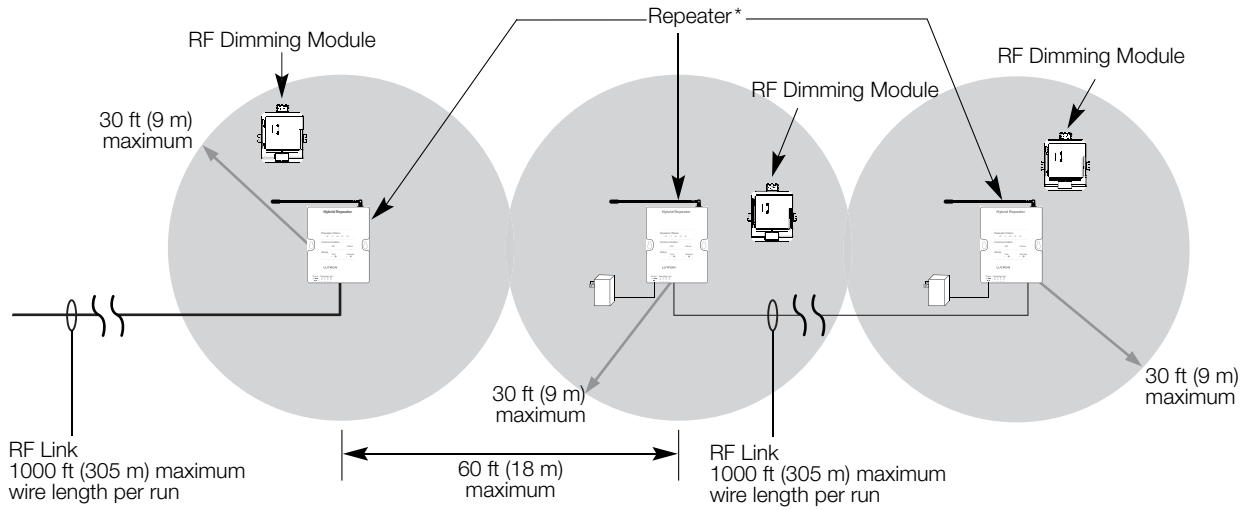
LMK- model:



³ LMK- model RF module can be installed in a junction box or marshalling box. Please consult all local and national electric codes for proper installation methods.

RF Dimming Module with 0–10 V_{DC} Control Communications

Wired and RF Configuration (RadioRA[®] 2 and HomeWorks[®] QS)



* In HomeWorks[®] QS systems, use Hybrid Repeaters for range extension. In RadioRA[®] 2, the repeater shown may be either a main repeater (1 required) or auxiliary repeater (up to 4 permitted).