



msi

MOTHERBOARD

Quick Installation Guide

English • Deutsch • Français • Русский • Polski • Português • BR Portuguese • Español • Türkçe • Dansk • Nederlands • Norsk • Česky • Ελληνικά • Svenska • Suomi • Magyar • Italiano • Қазақ тілі • 繁體中文 • 簡體中文 • 日本語 • 한국어 • Tiếng Việt • ไทย • Bahasa Indonesia • Українська • Română • Slovensky • Bosanski • Български • Latviski • Srpski • Slovenščina • Lietuvių • Hrvatski • Eesti • العربية • فارسی • বাংলা • हिन्दी

This quick guide is only for common personal computer assembly. For detailed installation and information please refer to the users' manual. The content is subject to change without notice. All brand names are registered trademarks of their respective owners. Please visit www.msi.com for more information.



If you purchase the motherboard with a HDMI connector, you can connect it to HDMI compatibility Audio-Visual equipments.

G52-XXX27K

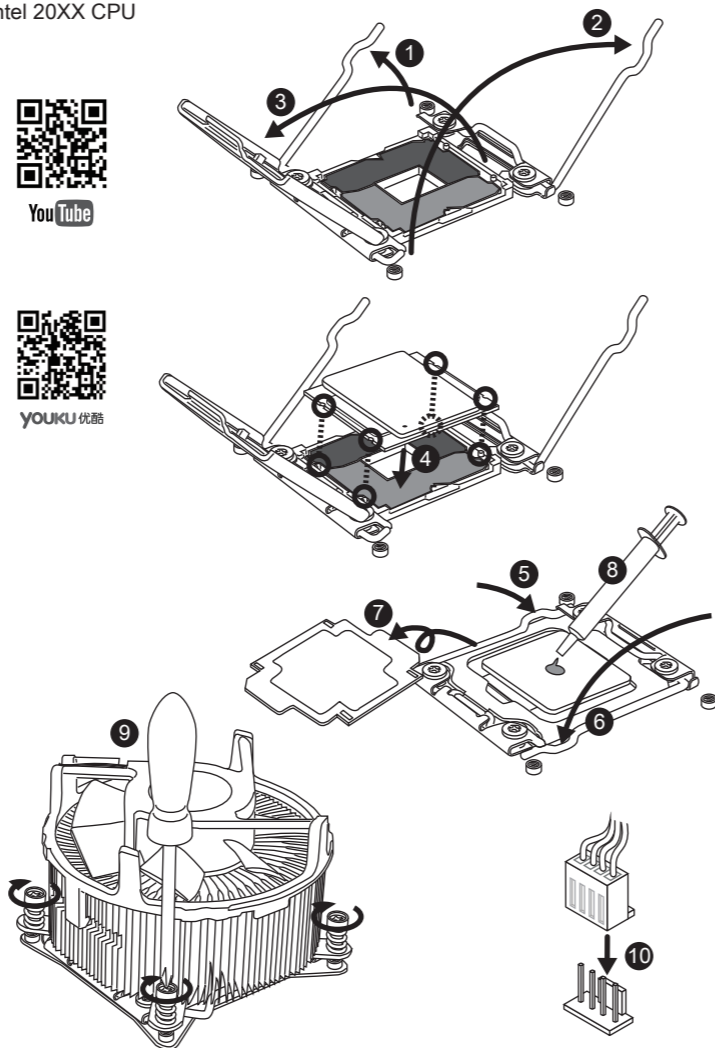
Intel 20XX CPU



YouTube



YOUKU 优酷



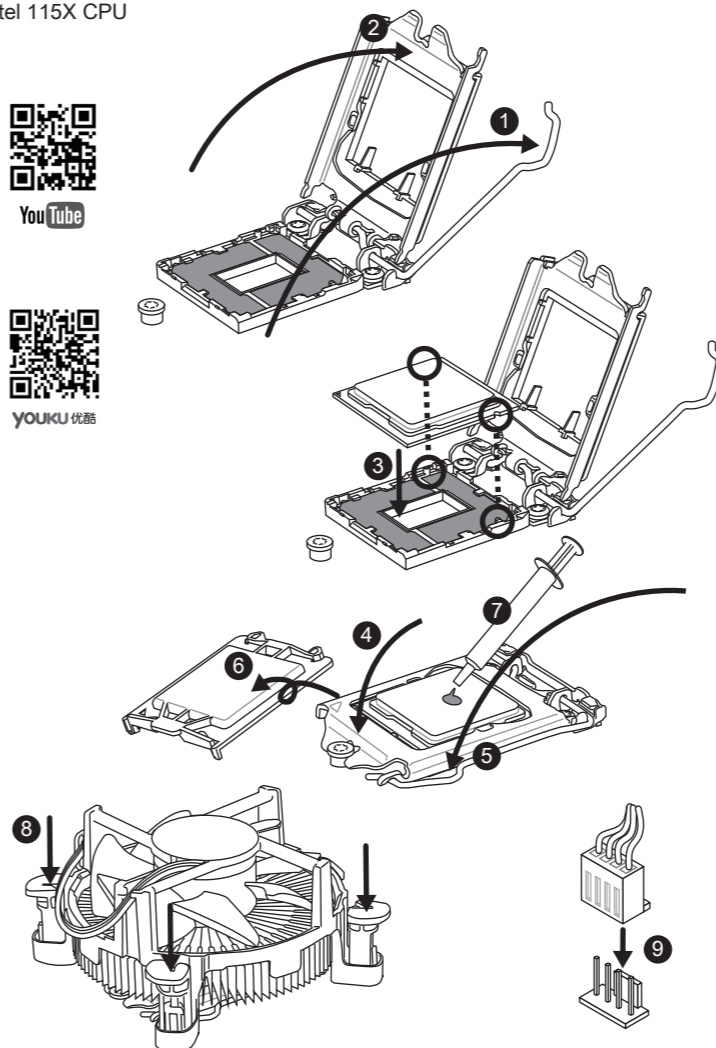
Intel 115X CPU



YouTube



YOUKU 优酷



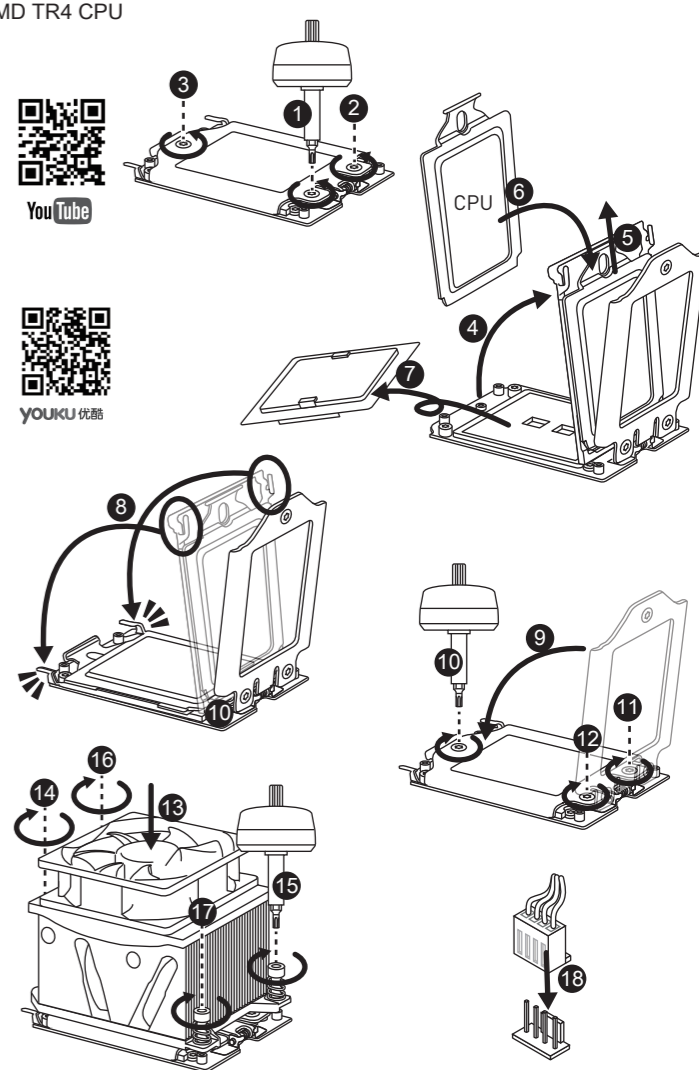
AMD TR4 CPU



YouTube



YOUKU 优酷



MSI Warranty Procedures and Conditions (This is only valid for Australia)

The terms and conditions of MSI's warranty described herein adhere to the guidelines set forth by the Australian Competition & Consumer Commission ("ACCC"), in addition to the applicable provisions under the Australian Consumer Law ("ACL"). Our goods come with guarantees that cannot be excluded under the Australian Consumer Law. You are entitled to a replacement or refund for a major failure and for compensation for any other reasonably foreseeable loss or damage. You are also entitled to have the goods repaired or replaced if the goods fail to be of acceptable quality and the failure does not amount to a major failure.

(1) Determination of the warranty period: The warranty period starts from the date you purchase the Product with valid invoice. If the last day of the warranty period is a national holiday, the following day shall be the last day of the warranty period.

(2) Customer-Induced-Defect (CID): If the problems or symptoms are complied with improper usage defined as Customer-Induced-Defect (CID), shall not be accepted in warranty claim of the product set. MSI reserves the right to determine whether the products are operated within the scope of proper usage.

(3) Limited warranty for software: The software not pre-installed is not covered within the Product's warranty. The Company assumes no responsibility for any software subsequently installed by the customer itself and any possible consequential breakdown or damage.

(4) Screen the problems by self-checking:

• **Please first review the User's Manual and contents of the Software CD included with the Product:** The User's Manual and Software CD provided by MSI containing a lot of information about product use. The manual we compose from user's perspective can answer many of your questions. If your manual has been lost; you may download the manual you need from the MSI website.

• **Visit MSI website for support:** MSI retains a group of customer service engineers with profession and knowledge. You may post a message about the problem you encounter on MSI's categorized discussion forum, and our engineers will try their best to answer your question concerning product use immediately. Or you may search on the website for FAQ, to see whether there is any solution for similar problems.

(5) Seek support from the original store of purchase: If you cannot seek any solution for the problem out of the above methods, you may seek support from the original store of purchase, because the original store of purchase should best know your system configuration and specifications, and can provide you with any necessary resource and service.

(6) Bring the Product to the original store of purchase: If your product has been determined by the MSI engineer or store as problematic or defective in hardware, and may incur the need for replacement of parts, you may incur the Product for repair or replacement to the original store of purchase to send the Product for repair or replacement on your behalf. However, the customer must properly pack the Product when sending it for repair, to avoid further damage in the course of shipping.

(7) Warranty receipt: The valid invoice of your purchase shall be provided for the warranty service.

(8) Contacts: In the event that additional assistance is required, please contact MSI Australia Pty at the following:

Unit 16, 22 Princes Rd East Auburn NSW 2144, Australia

Tel: 02 9748 0070

Email: ausrma@msi.com

For more details, please visit our website www.au.msi.com

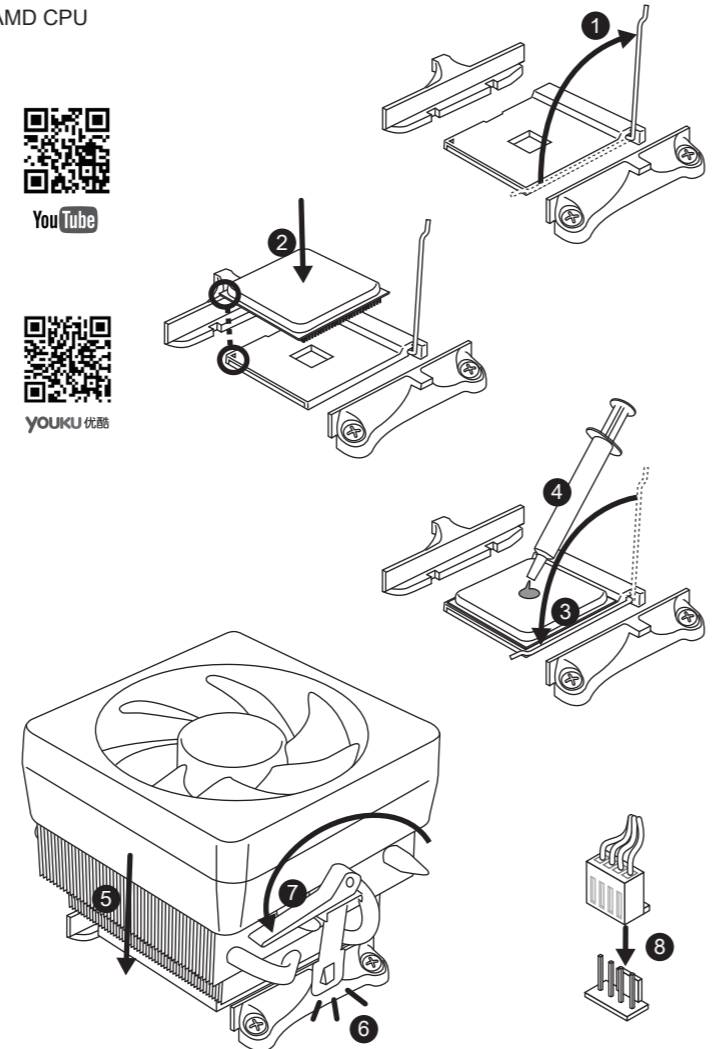
AMD CPU



YouTube



YOUKU 优酷



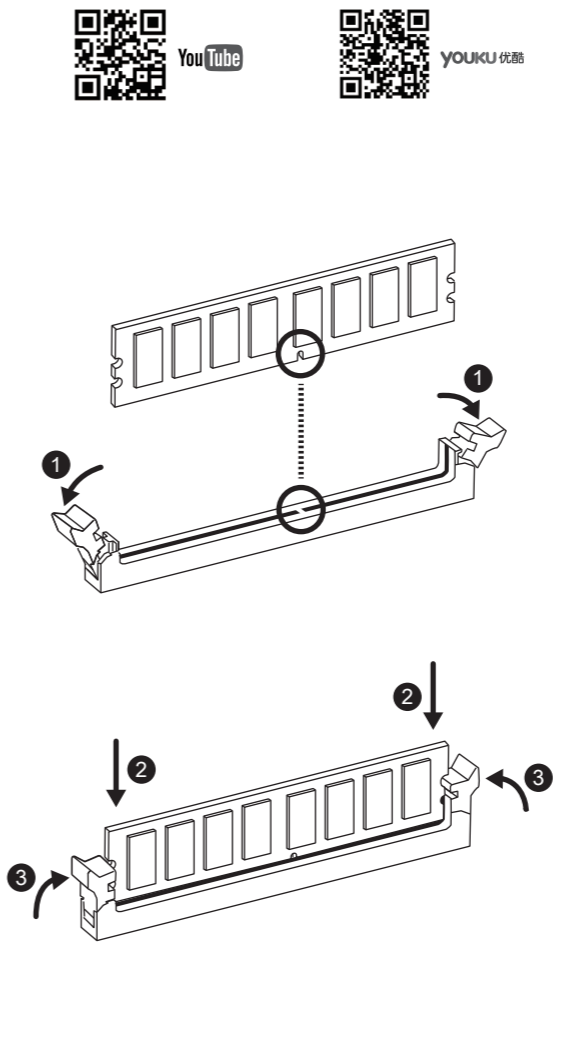
Memory
Speicher
Mémoire
Память
Pamięć
Memória
Memória
Memoria
Bellek
Hukommelse
Geheugen
Minne
Paměť
Μνήμη
Minne
Muisti
Memória
Memoria
Жад
記憶體
内存
メモリ
메모리
Bộ nhớ
หน่วยความจำ
Memori
Память
Memorie
Pamäť
Memorija
Памят
Atmīņa
Memorija
Pomnilnik
Atmintis
Memorija
Mālu
الذاكرة
حافظه
মমরি
मेमरी



YouTube



YOUKU 优酷



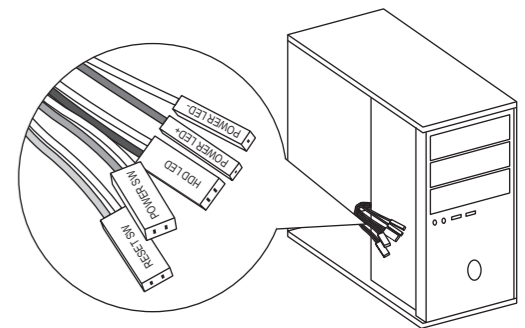
Front panel
Vorderseite
Panneau avant
Передняя панель
Przedni panel
Painel frontal
Painel frontal
Panel frontal
Ön panel
Frontpanel
Voorkant
Frontpanel
Čelní panel
Прόσopη
Frontpanel
Etupaneeli
Előlap panel
Pannello anteriore
Алдыңғы панель
前面板
前面板
フロントパネル
전면 패널
Pa-nel trước
แผงหน้า
Panel depan
Передня панель
Panou frontal
Predný panel
Prednja tabla
Челен панель
Priekšējais panelis
Prednji panel
Sprednja plošča
Priekinis skydas
Prednja ploča
Esipaneel
اللوحة الامامية
پنل جلو
সম্মুখ প্যানেল
फ्रंट पैनल



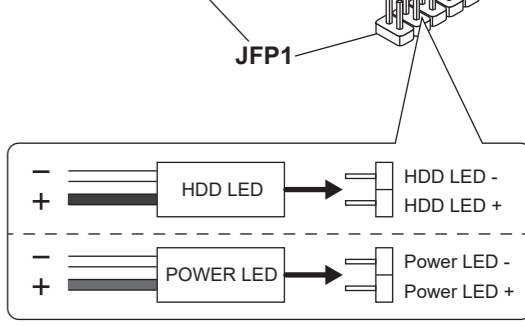
YouTube



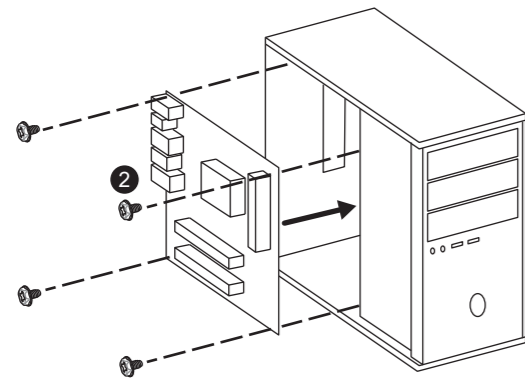
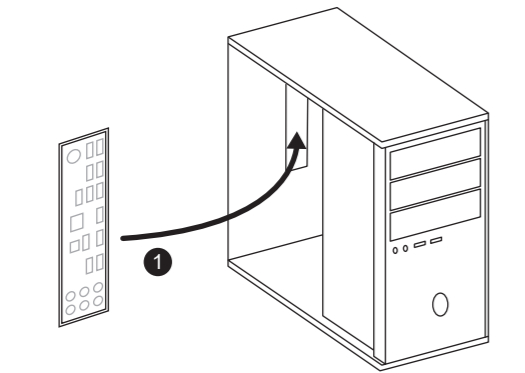
YOUKU 优酷



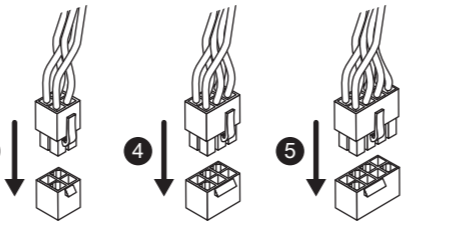
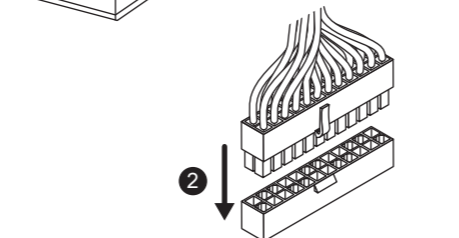
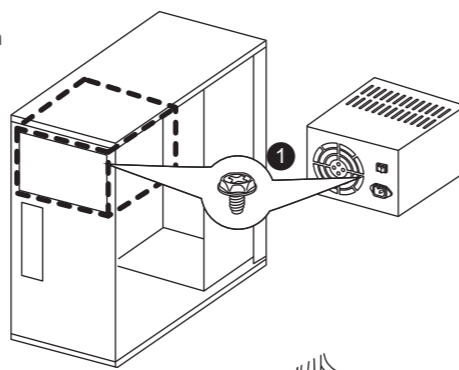
HDD LED +	1	Power LED +	9
HDD LED -	2	Power LED -	10
Reset Switch		Power Switch	
Reserved		Power Switch	
		No Pin	



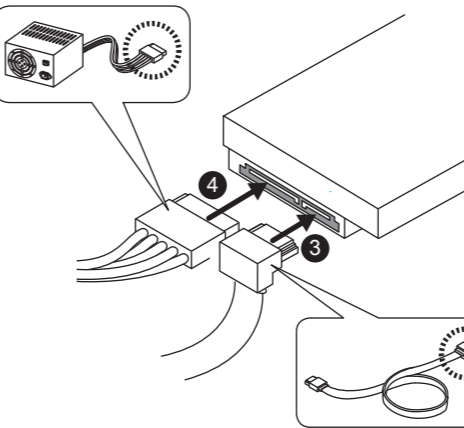
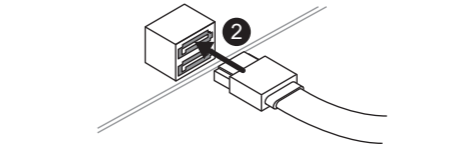
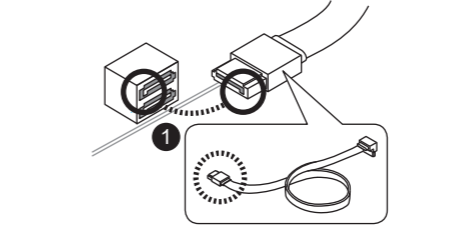
Motherboard
Motherboard
Carte mère
Материнская плата
Płyta główna
Motherboard
Placa-mãe
Placa base
Ana Kart
Systemkort
Moederbord
Hovedkort
Základní deska
Μητρική πλακέτα
Moderkort
Emolevy
Alaplap
Scheda madre
Heriziri taqta
主機板
主板
マザーボード
마더보드
Bo mạch chủ
မာတုရ်နီ
Motherboard
Материнська плата
Placă de bază
Základná doska
Matična ploča
Главна платка
Mãesplate
Matična ploča
Matična plošča
Pagrindinė plokštė
Matična ploča
Emaplaat
اللوحة الأم
مادربورد
মাদারবোর্ড
मदरबोर्ड



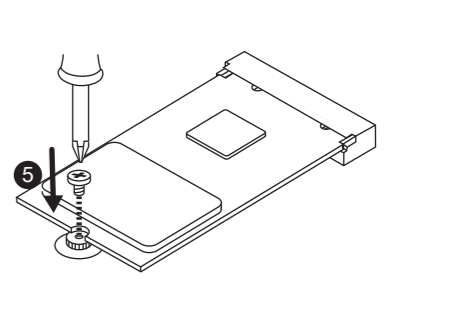
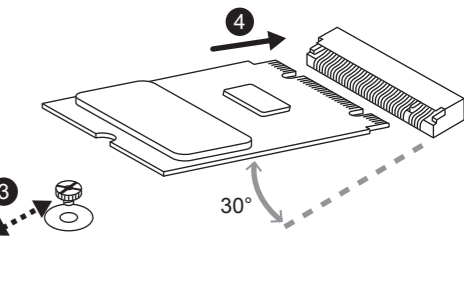
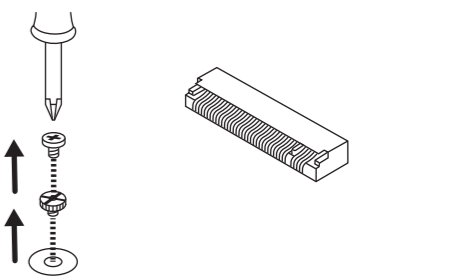
Power connectors
Stromanschlüsse
Connecteur d'alimentation
Сетевые разъемы
Złącza zasilania
Conectores de energia
Conectores de alimentação
Conectores de alimentación
Güç bağlayıcıları
Strömstik
Stroomaansluitingen
Stramkontakt
Nárajecí konektory
Υποδοχές ισχύος
Kontaktidon
Virtualiittimet
Tápcsatlakozók
Connettori di alimentazione
Қуат жалғағыштары
電源接頭
電源接口
電源コネクタ
전원 커넥터
Cáp đầu nối điện
สายคอนเน็คเตอร์
Konektor daya
Роз'єми живлення
Conectori alimentare
Nárajacie konektory
Konektori napajanja
Изводи за захранване
Strāvas savienotāji
Konektori za napajanje
Priključki za napajanje
Galios jungtys
Priključci napajanja
Toite ühendused
موصلات الطاقة
كانكتورهای پاور
পাওয়ার কানেক্টর
पावर कनेक्टर



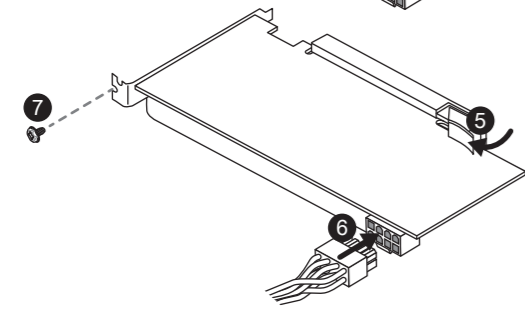
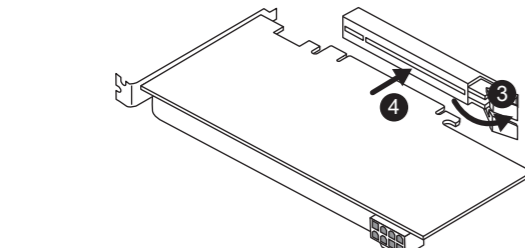
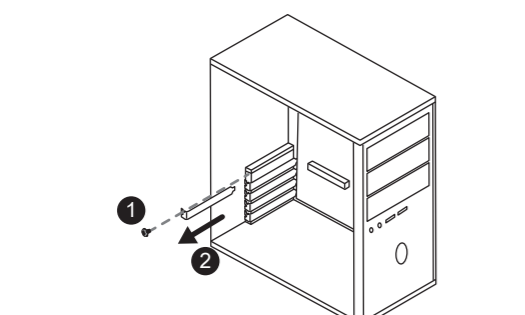
SATA drive
SATA Laufwerk
Lecteur SATA
Дискковод SATA
Dysk SATA
Drive SATA
Unidade SATA
Unidad SATA
SATA sürücü
SATA-drev
SATA-station
SATA-stasjon
Disk SATA
Μονάδα δίσκου SATA
SATA-enhet
SATA-asema
SATA meghajtó
Unità SATA
SATA диск
SATA裝置
SATA驱动器
SATAドライブ
SATA 장치
Ổ SÀTÀ
ไดรฟ์ SATA
Drive SATA
Диск SATA
Unitate SATA
Jednotka SATA
SATA pogonska jedinica
SATA устройство
SATA dzinisk
SATA disk
Pogon SATA
SATA diskas
SATA pogon
SATA draiv
SATA محرك
SATA درایو
SATA ড্রাইভ
SATA ड्राइव



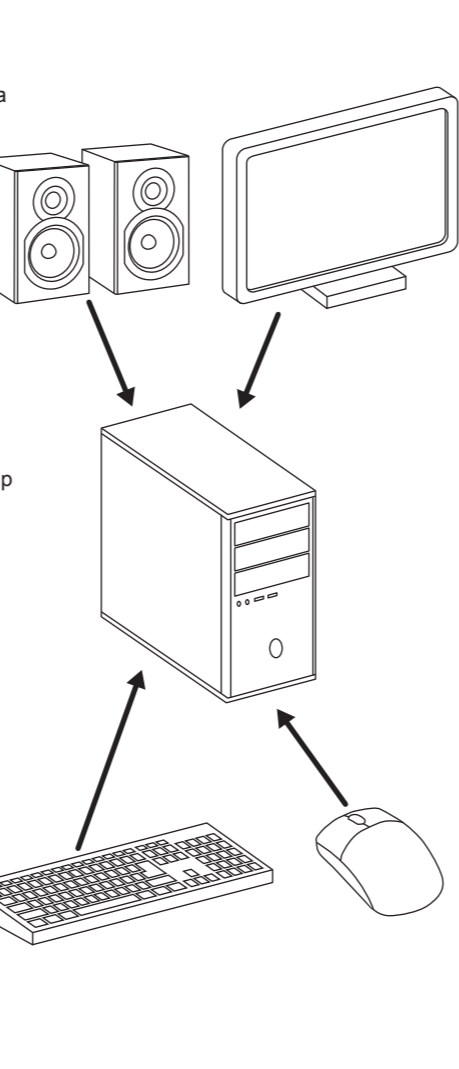
M.2 Module
M.2 Modul
Module M.2
Modul M.2
Modül M.2
Módulo M.2
Módulo M.2
M.2 Modülü
M.2-modul
M.2-module
M.2-modul
Modul M.2
Modul M.2
M.2-moduuli
M.2 modul
Modulo M.2
M.2 модулі
M.2 модуль
M.2 模組
M.2 模塊
M.2モジュール
M.2 모듈
Mô-đun M.2
ໂມດູນ M.2
Modul M.2
Modul M.2
Modul M.2
M.2 modul
Modул M.2
M.2 Modulis
M.2 modul
Modul M.2
M.2 modulis
M.2 modul
M.2 modul
M.2 وحدة
M.2 مازول
M.2 মডিউল
M.2 मॉड्यूल



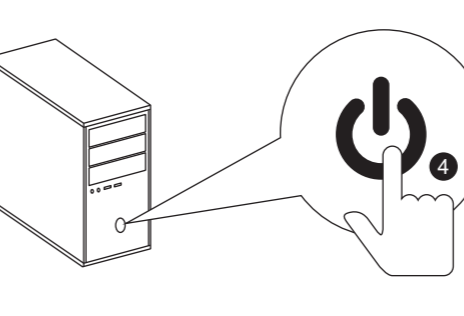
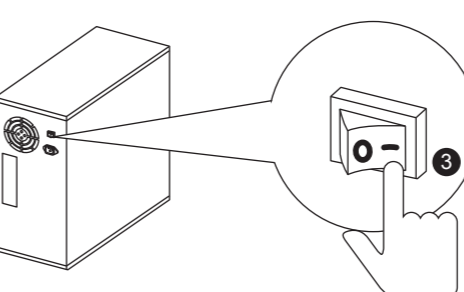
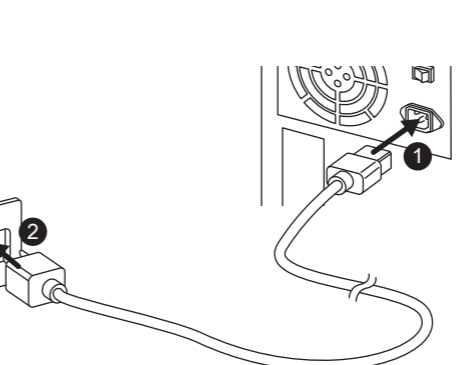
Graphics card
Grafikkarte
Carte graphique
Видеокарта
Karta graficzna
Placa gráfica
Placa de vídeo
Tarjeta gráfica
Grafik karti
Grafikkort
Videokaart
Grafikkort
Grafická karta
Κάρτα γραφικών
Grafikkort
Näytönohjain
Grafikus kártya
Scheda grafica
Графикалық карта
顯示卡
显卡
グラフィックカード
그래픽 카드
Thẻ đồ họa
การตรวจภาพ
Kartu grafis
Графічна карта
Card video
Grafická karta
Grafická kartica
Видео карта
Grafikas karte
Grafická kartica
Grafična kartica
Grafinė plokštė
Grafická kartica
Graafikakaart
بطاقة الرسومات
کارت گرافیک
গ্রাফিক্স কার্ড
ग्राफिक्स कार्ड



Peripheral devices
Periphäre Geräte
Périphériques
Периферийные устройства
Urządzenia zewneřtrzne
Dispositivos periféricos
Dispositivos periféricos
Dispositivos periféricos
Çevresel aygıtlar
Perifere enheder
Randapparatuur
Periferenheter
Periferní zařizení
Περιφερειακές συσκευές
Kringutrustning
Oheislaitteet
Dispositivi periferici
Перифериялық құрылғылар
周邊設備
外围设备
周辺機器
주변 장치
Thiết bị ngoại vi
อุปกรณ์รอบข้าง
Perangkat periferal
Периферийні пристрої
Dispozitive periferice
Periférne zariadenia
Periferni uređaji
Периферни устройства
Perifērijas ierīces
Periferni uređaji
Zunanje naprave
Išoriniai įtaisai
Vanski uređaji
Välisseedmed
الأجهزة الطرفية
دستگاههای جانبی
পেরিফেরাল ডিভাইসসমূহ
कम्प्यूटर् से जुड़े उपकरण



Power on
Einschalten
Allumé
Включение питания
Wi. zasilanie
Ligado
Ligar
Encendido
Güç aç
Tænde
Inschakelen
Strøm på
Zapnuti
Ενεργοποίηση
Ström på
Virta päälle
Bekapcsolás
Accensione
Қуат қосулы
開機
電源オン
전원 켜기
Bật nguồn
ເປີດ
Daya nyala
Увiмкнення живлення
Pornire alimentare
Zapnutie
Nárajanje uključeno
Inključvane
leslëgt
Uključivanje
Vklöp
Maitinimas įjungtas
Uključivanje
Toide sisse
تشغيل الطاقة
چراغ پاور
পাওয়ার অন
पावर ऑन



Software
Software
Logiciel
Програмное обеспечение
Oprogramowanie
Software
Software
Software
Software
Yazılım
Software
Software
Programvare
Software
Λογισμικό
Program
Ohjelmisto
Szoftver
Software
Бағдарламалық жасақтама
軟體
ソフトウェア
소프트웨어
Програмне забезпечення
Software
Softvér
Softver
Coftуер
Programmatūra
Softver
Programska oprema
Programinė įranga
Softver
Tarkvara
البرنامج
نرم افزار
সফটওয়্যার
सॉफ्टवेयर

