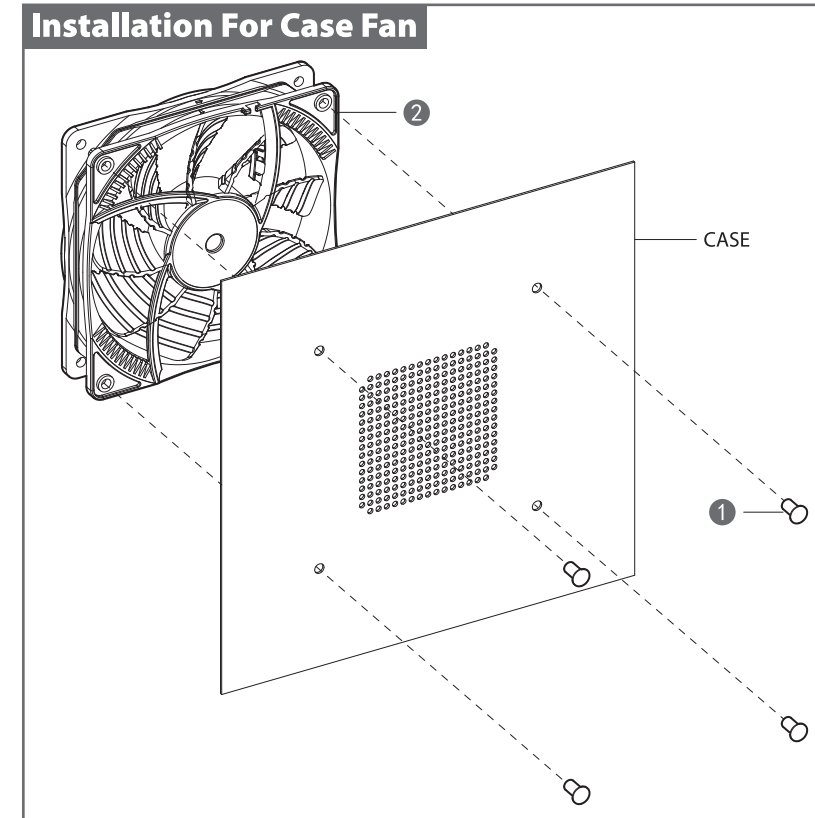
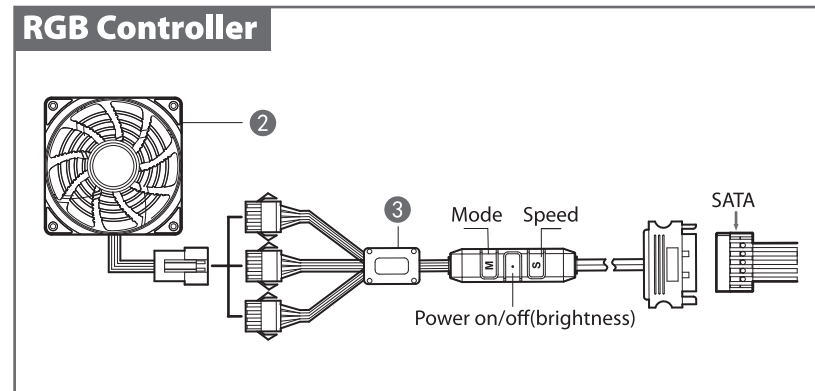
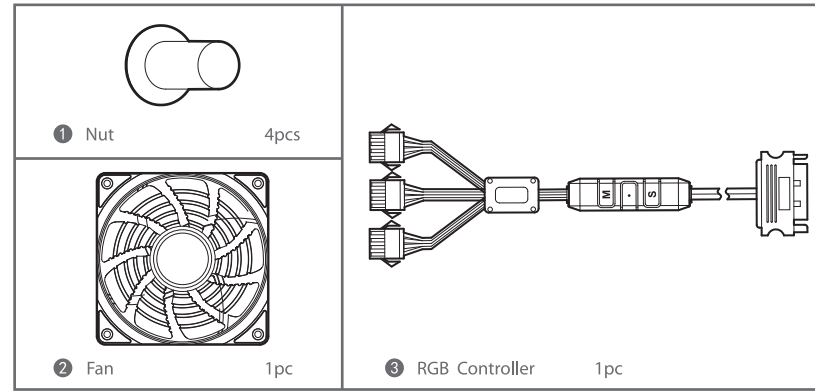




RF Series

USER MANUAL

This user guide is applied to RF120 and RF140



www.deepcool.com

Patent Pending
Brands and designs are trademarks from Beijing Deepcool Industries Co., Ltd.
Devices not included.
All rights reserved.

Beijing Deepcool Industries Co., Ltd.

MADE IN CHINA