



# AQUA 120

## FEATURES

### ENGLISH

- Dynamic RGB Effects: Addressable RGB Lighting in Water Block
- Vortex WB 120: Extended Speed Range for Optimal Noise/Performance Relation
- Supports Both Included with Remote Control and 5V RGB Motherboard Headers
- Sleeved and Extended Tubing for Improved Durability and Reliability

### DEUTSCH

- Dynamische RGB-Effekte: Adressierbare RGB-Beleuchtung in Wasserblock
- Vortex WB 120: Vergrößerter Geschwindigkeitsbereich für optimales Geräusch-Leistung-Verhältnis
- Unterstützt sowohl mitgelieferte mit Fernbedienung als auch 5-V-RGB-Motherboard-Stiftleisten
- Ummantelte und erweiterte Verschlauchung für verbesserte Beständigkeit und Zuverlässigkeit

### ESPAÑOL

- Efectos RGB Dinámicos: LEDs RGB Direccionables tanto en el Bloque de Agua
- Vortex WB 120: Rango de Velocidad Extendido para Optimizar Relación Rendimiento/Ruido
- Soporta tanto con Control Remoto como Conexión 5V RGB a Placas Base Compatibles
- Tubos con Mangas Extralargos para Mayor Fiabilidad y Durabilidad

### PORTUGUÊS

- Efeitos RGB Dinâmicos: Iluminação RGB Endereçável em Blocos de Água
- Vortex WB 120: Faixa de Velocidade Estendida para Relação Ideal de Ruído/Desempenho
- Suporta Tanto a inclusa com Controle Remoto como os cabeçotes da Placa-mãe 5V RGB
- Tubulação com Manga e Estendida para Mais Durabilidade e Confiabilidade

### РУССКИЙ

- Динамические эффекты RGB: адресное RGB-освещение как в водяном блоке
- Vortex WB 120: расширенный диапазон скорости для оптимального соотношения шума/производительности
- Поддерживает оба разъема: с пультом дистанционного управления и 5-вольтовое RGB подключение к материнской плате
- Трубочные и удлиненные трубки для повышения долговечности и надежности

### 한국어

- 다이내믹한 RGB 효과 : 모두에서 활용 가능한 RGB 조명
- Vortex WB 120 : 최적의 소음 / 성능을 위한 확장 속도 범위
- 원격 제어 및 5V RGB 마더 보드 헤더가 있는 모두 지원 가능
- 향상된 내구성 및 신뢰성을 위한 슬리브 및 연장 튜브

### FRANÇAIS

- Effets RVB dynamiques : Éclairage RVB adressable dans le waterblock
- Vortex WB 120 : Plage de vitesse étendue pour un rapport bruit/performance optimal
- Prend en charge le inclus avec télécommande et les embases de carte mère RVB 5 V
- Tubes étendus et à manchons pour une durabilité et une fiabilité accrues

### POLISH

- Dynamiczne efekty podświetlenia RGB: adresowalne podświetlenie RGB bloku wodnego
- Vortex WB 120: rozszerzony zakres prędkości dla optymalnego stosunku poziomu hałasu do wydajności
- Obsługa dołączonego z pilotem zdalnego sterowania i złączy header 5V RGB na płycie głównej
- Rurki w oplocie i przedłużające dla większej trwałości i niezawodności

### HUNGARIAN

- Dinamikus RGB-effektsok: címezhető RGB-világítás a vízblokkhoz
- Vortex WB 120: kibővített sebességtartomány az optimális zaj/teljesítmény arányhoz
- A tartozékként kapott távvezérlővel, illetve az 5 V-os RGB alaplapi csatlakozósorokat egyaránt támogatja
- Tokban elhelyezett és kibővített csöveteték a fokozott tartósság és megbízhatóság érdekében

### ITALIA

- Effetti RGB dinamici: illuminazione RGB indirizzabile sia nell'idroblocco
- Vortex WB 120: intervallo di velocità esteso per rapporto ottimale rumore/prestazioni
- Supporta incluso con telecomando e i connettori per scheda madre RGB 5V
- Tubi con manicotti ed estesi per una maggiore durata e affidabilità

### 日本語

- ダイナミックRGBエフェクト : アドレス可能なRGB LED付き水冷ヘッド
- Vortex WB 120 : ノイズとパフォーマンスのバランスを最適化した拡張速度範囲
- ワイヤレスリモコンとマザーボード用の5V RGBコネクタを搭載
- メッシュと長くしたデザインによって、耐久性と信頼性をアップしたチューブ

### 中文

- 动态RGB效果: 水冷头具有可编程RGB效果
- Vortex WB 120: 加大的转速范围, 可达到噪音与效能之间的最佳平衡
- 支援无线遥控器和主机板的5V RGB接头
- 水冷管线的编织网与加长设计可提升耐用度与可靠性

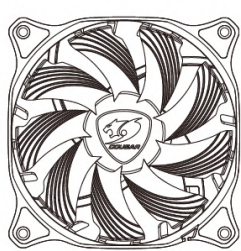
## SPECIFICATIONS

Product Name	AQUA 120
CPU Socket	Intel Socket LGA 775 / 1155 / 1156 / 1366 2011 / 2066 (Core i3 / i5 / i7 CPU) AMD AM4/FM2 / FM1 / AM3+ / AM3 / AM2+ AM2 CPU
Water Block & Pump	
Dimensions (WxDxH)	60 x 60 x 50 mm
Cold Plate Material	Copper
Pump Speed	3200 ± 10% R.P.M
Rated Voltage	12 VDC
Rated Current	0.39 A
Power Consumption	4.68 W
Connector	SATA & 5V RGB
Radiator	
Type	120mm
Dimension (WxDxH)	154 x 120 x 27mm
Material	Aluminum

Tubing	
Material	Durable Rubber with Sleeves
Length	400 mm
Fans	
Fan Model	Vortex WB 120
Fan Quantity	1
Dimensions (WxDxH)	120 x 120 x 25 mm
Bearing Type	Hydro-Dynamic Bearing
Fan Speed	600-1800 ± 200 R.P.M
Air Flow	70.64 CFM (Max.)
Air Pressure	2.1 mm-H2O (Max.)
Acoustic Noise	<35 dBA (Max.)
Rated Voltage	12 VDC
Rated Current	0.32 A
Power Consumption	3.84 W
Cable Length	Fan power: 600 mm
Connector & Control	4 Pin PWM

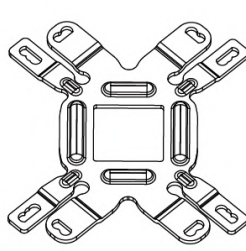
The above specifications may vary by country or region

## INSTALL CONTENTS



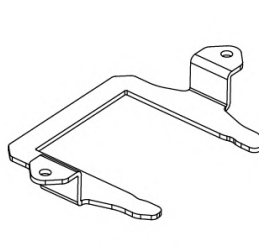
Vortex WB 120 x 1

A



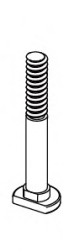
Backplate x 1

B



AMD Bracket x 1

C



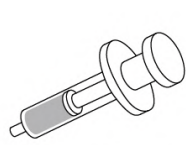
Backplate Screw x 4

D



Fan Screw x 4

E



Thermal Paste x 1

F



Nut x 4

G



Spacer x 4

H



Standoff x 4

I



AMD Bracket Screw x 2

K



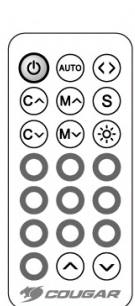
Screw x 4

L



Radiator Screw x 4

M

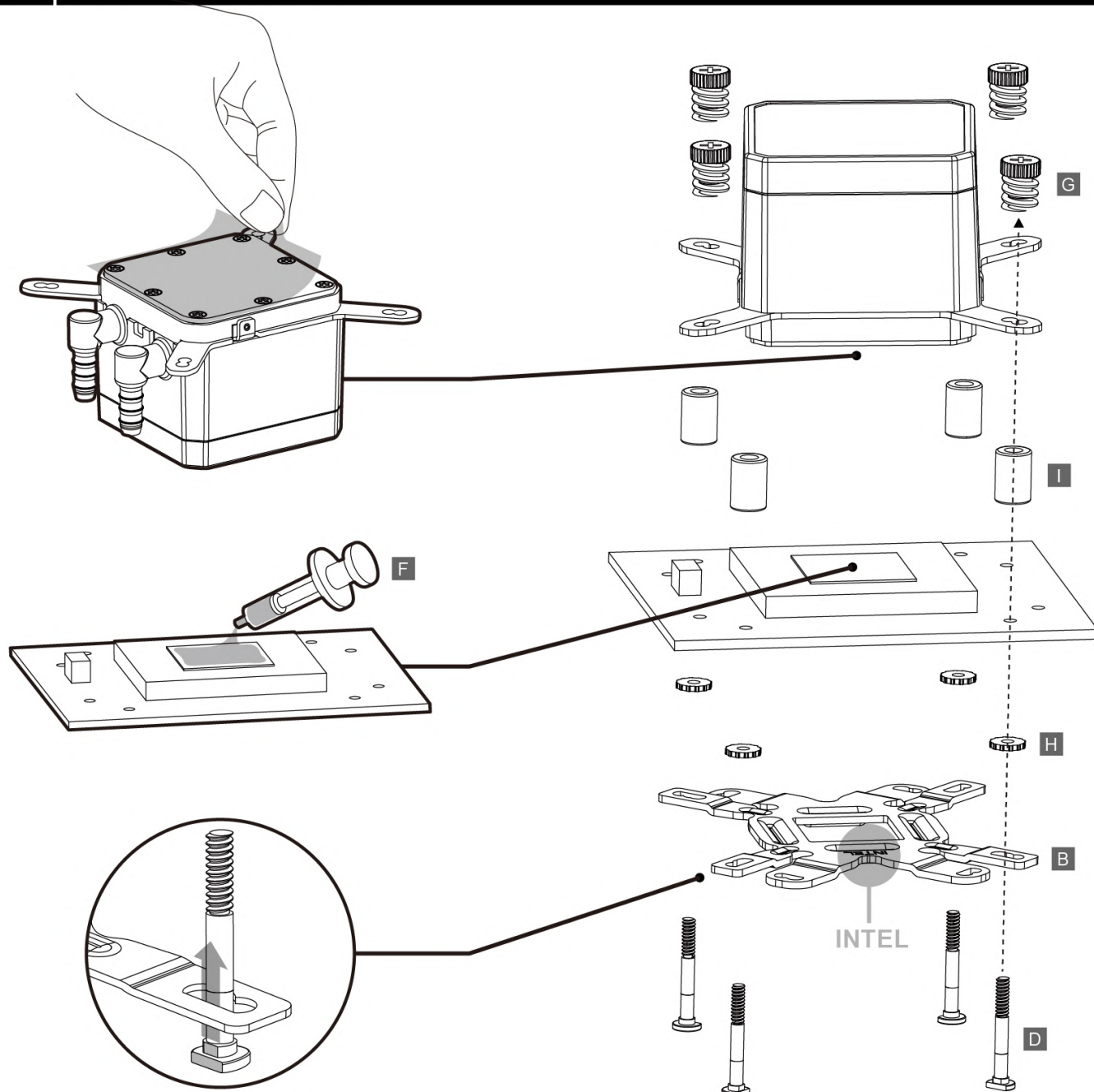


Wireless Controller x1

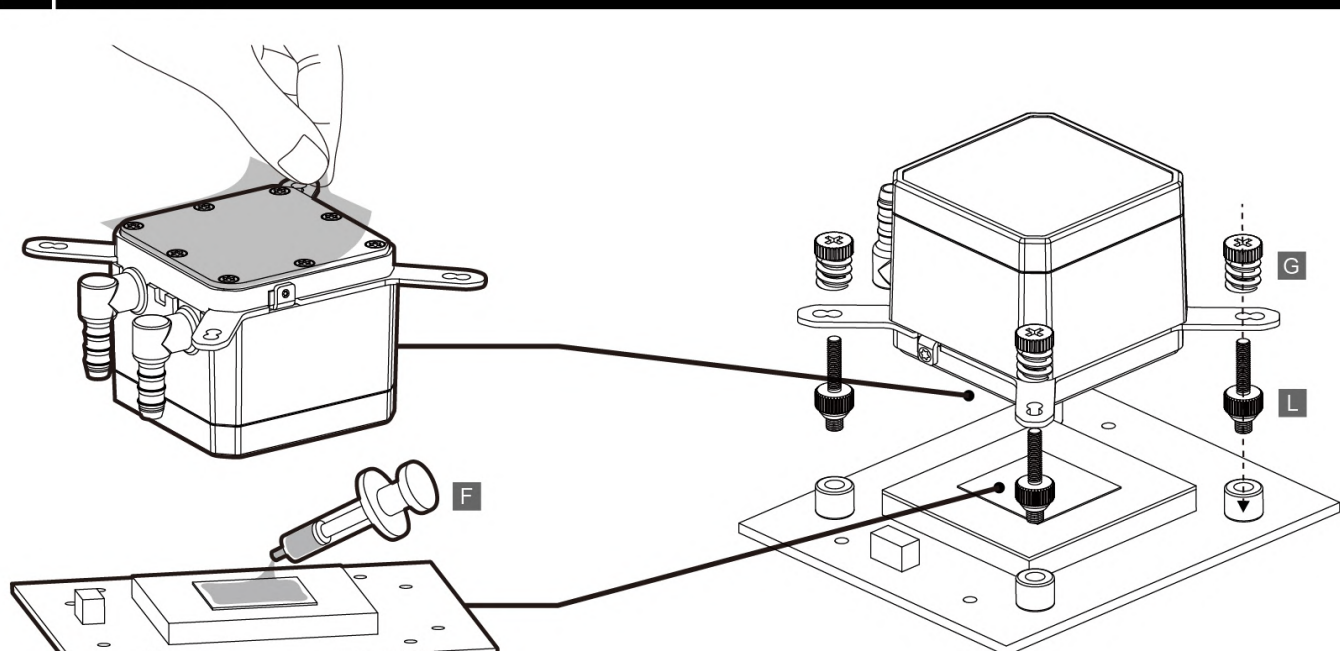
N

## PREPARATION

Intel LGA115X / 1366 / 775

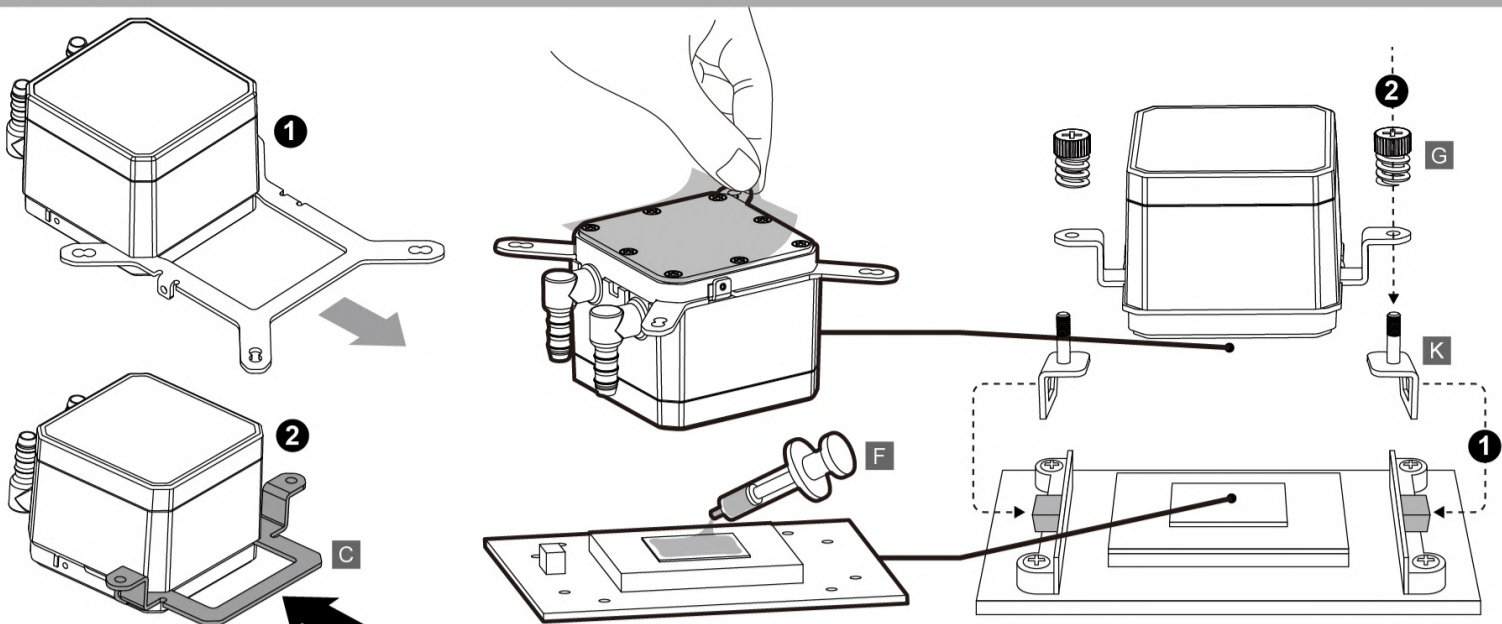


Intel LGA20XX

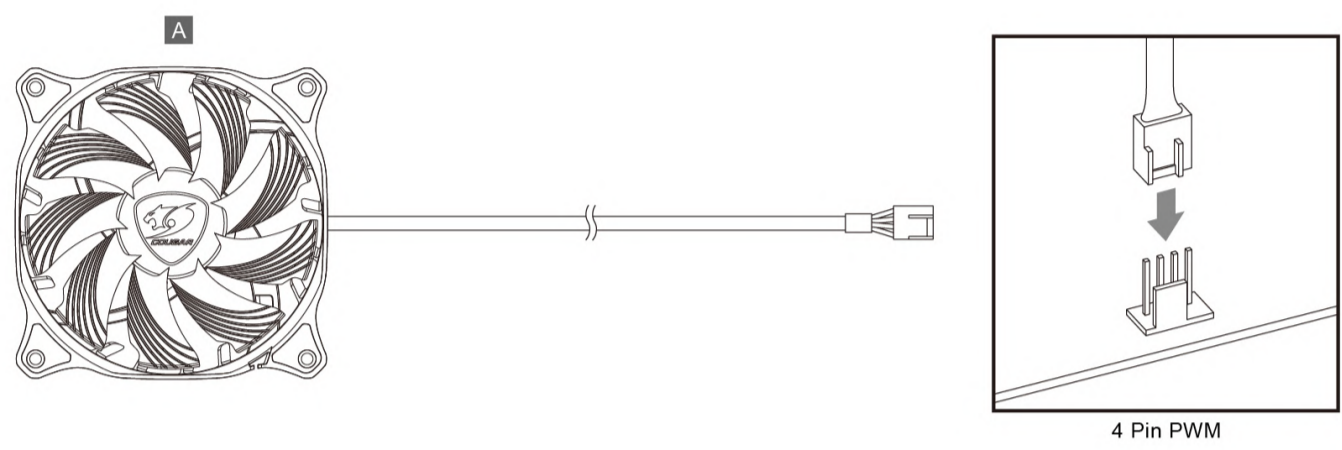
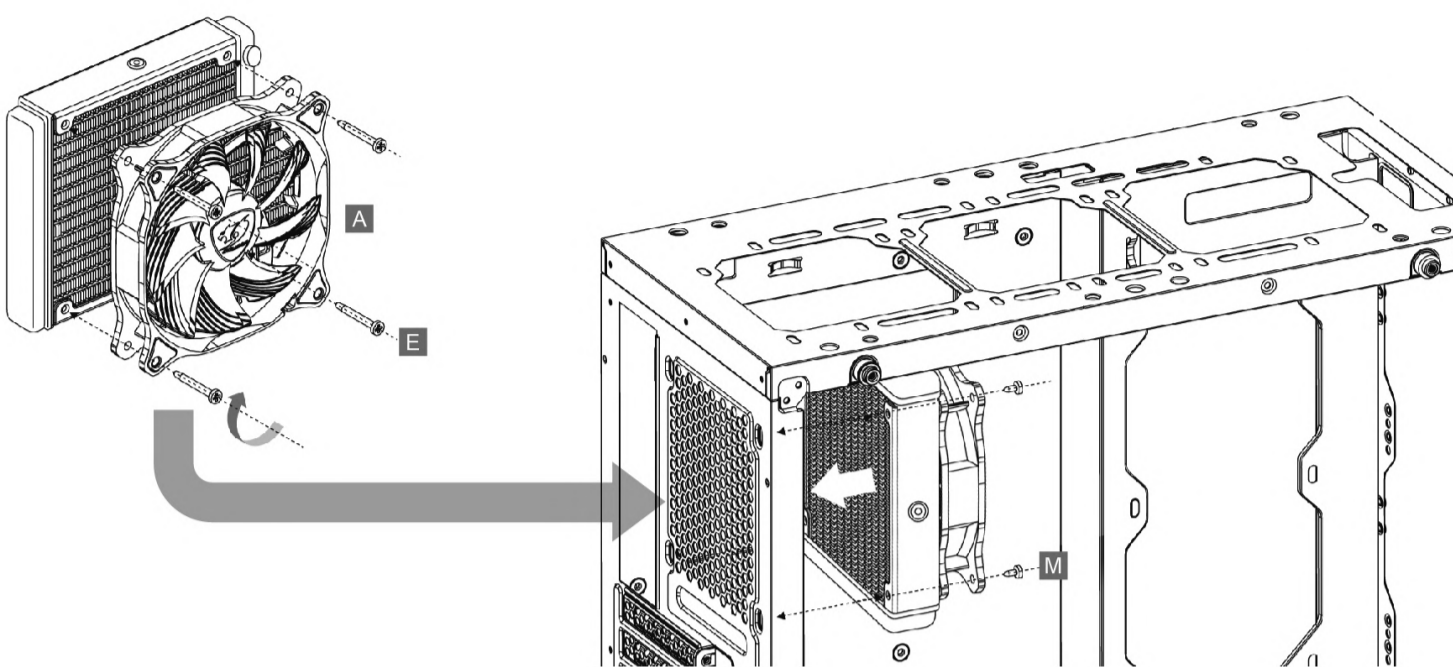


## PREPARATION

### AMD



## INSTALLATION



5V Addressable RGB Header:  
for Compatible ASUS, MSI,  
Gigabyte or ASRock Motherboards

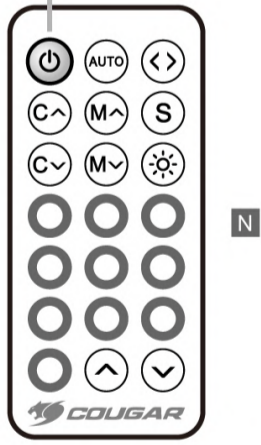
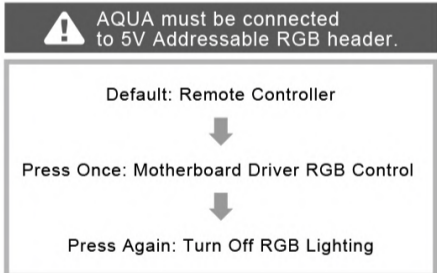
Expand  
other devices

SATA Connector  
of the Power Supply  
Cables

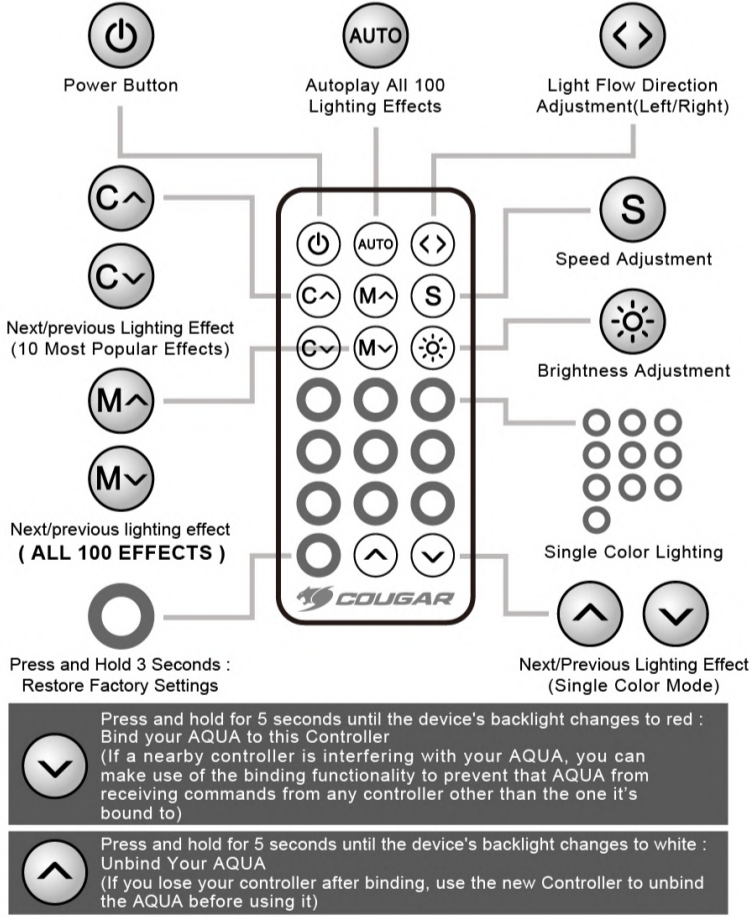
COUGAR Core Box V2/C  
(Optional)

AQUA and COUGAR Core Box V2/C are installed  
at the same time:  
You will be able to control AQUA and COUGAR  
Core Box V2/C with one remote controller,  
but must ensure that both devices are in the same  
mode: Remote Controller / Motherboard Driver  
RGB Control / Turn off RGB Lighting.

### MODE SWITCHING



### REMOTE CONTROLLER



### PACKAGE CONTAINS

AQUA 120 x 1	Vortex WB 120 x 1	Wireless Controller x1
	Mounting Kit x 1	User Manual x 1

### GLOBAL WARRANTY POLICY

#### WARRANTY PERIODS OF COUGAR GAMING DEVICES

Product : COUGAR AQUA series CPU liquid cooler  
Warranty : 2 Years

Our warranty gives you specific legal rights. You may also have other rights granted under local law. These rights may vary.

#### WARRANTY AGREEMENT

- If the product has defects in material or manufacture, COUGAR will provide product repair and replacement service within the warranty period.
- Our warranty service is based on the date of the invoice or warranty card (must be affixed with the store stamp).
- If you lose the aforementioned evidence, we will apply the original shipping date of the product as the beginning date of warranty period. The shipping date will be identified by the product serial number(S/N).

#### CONDITIONS WHERE FREE MAINTENANCE IS NOT PROVIDED

- Any fault or damage caused by natural disasters (including storm, fire, flood, thunder, earthquake, etc).
- Any fault or damage caused by accidental factors and man-made reasons (including hit, scrape, crash, moving, compression, stain, corrosion, use of incurred on unsuitable voltage, computer virus, riot, misuse, malicious damage, etc).
- Use in an improper operating environment (including high temperature, high humidity, water inflow, etc).
- Inability to provide the product warranty card, purchase receipt or invoice to prove the product is still within the warranty period and the shipping date of the product is out of warranty.
- The warranty card or product serial number has been altered or its number is hard to identify.
- The warranty period has expired.
- Any fault or damage caused by non-compliance with regulations stated on the user manual or improper, rough and careless treatment.
- Any fault or damage caused by use of parts not certified by COUGAR original manufacturer.
- The problem is caused by improper repair or adjustment by the buyer or any manufacturer without authorization from COUGAR.
- The product is not acquired from an authorized distributor of the company or is acquired from illicit sources.
- Paper carton, instruction and other accessories are not warranted.

#### DISCLAIMERS

- COUGAR product is not authorized for use as critical components in life support device or for incorrect application software or malfunction of the product.
  - COUGAR is not liable for the death or damage of person or loss of property when product is using as, including but not limited to, medical equipment, military equipment, traffic equipment and disaster prevention system.
  - COUGAR is not liable for any damages, expenses, lost data, lost revenues, lost savings, lost profits, or any incidental or consequential damages due to using defects product of COUGAR.
- If you have any question about the warranty, please free to contact us.  
Customer support: <https://cougargaming.com/support/contact/upload/>

### LEGAL NOTICES

This manual was created by Compucase Enterprise and may not be completely or partially copied, passed on, distributed or stored without written consent by Compucase Enterprise.  
COUGAR® is a registered brand of Compucase Enterprise. Other product and company names mentioned in this documentation may be brands or trademarks of their respective owners.  
Compucase Enterprise reserves the right to make changes concerning the contents of the manual and the technical data of the product without previous announcement.

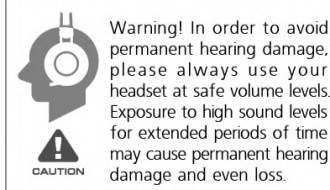
CE FC All other registered trademarks belong to their respective companies.

### MANUFACTURER CONTACT

Compucase Enterprise Co.,Ltd.  
No. 225, Lane 54, An Ho Road Sec. 2 Tainan,  
Taiwan, R.O.C  
Tel:+886-6-356-0606

COUGAR 256-3778  
Mail: rma@compucaseusa.com

Service email : <https://cougargaming.com/support/contact/upload/>  
More information you will find at [cougargaming.com](http://cougargaming.com)  
Compucase Enterprise Co.,Ltd.  
All rights reserved.  
Made in China



تعليمات التركيب والامان:  
-اللتزم بالوضعية الصحية والمريحة عند استعمال السماعة.  
-يجب التأكيد من توصيل كافة التوصيلات بالشكل الصحيح.  
-أحفظ الجهاز بعيدا عن مصادر المياه والرطوبة.  
-الفصل التيار الكهربائي فورا في حالة الاشتباه بوجود التماس.  
-تأكد بأن مصدر الطاقة لديك مناسب لما يحتاجه هذا الجهاز.

### ДАТА ИЗГОТОВЛЕНИЯ ПРОДУКЦИИ

год и месяц изготовления продукции указаны в серийном номере продукта. (существует 2 способа определения даты изготовления, оба способа описаны ниже)

**A** После S/N: первые две цифры означают год, вторые две – месяц изготовления. Например, S/N: H1702000001 означает, что товар был произведен в феврале 2017 года.

**B** После S/N: если указаны буквы, то две буквы представляют цифры из таблицы ниже, и означают год, последующие две цифры – месяц изготовления. Например, S/N: DAG02REV1000001 означает, что товар был произведен в феврале 2017 года.

A	B	C	D	E	F	G	H	I	J
1	2	3	4	5	6	7	8	9	0

• Например, AG = 17 = 2017 год