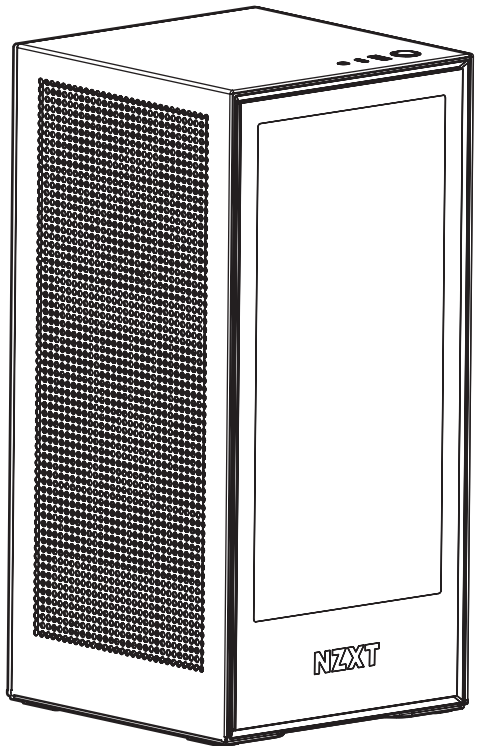


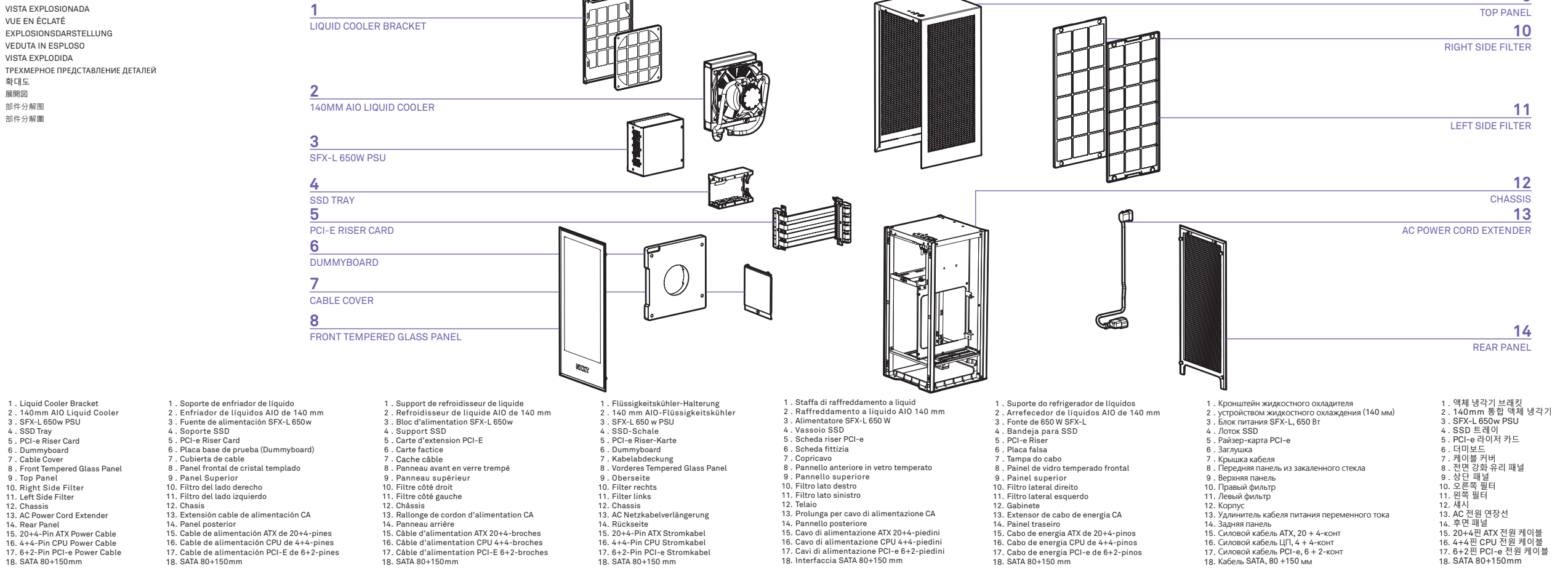
NZXT

H1

MINI ITX CASE WITH PSU, AIO, AND RISER CARD



EXPLODED VIEW

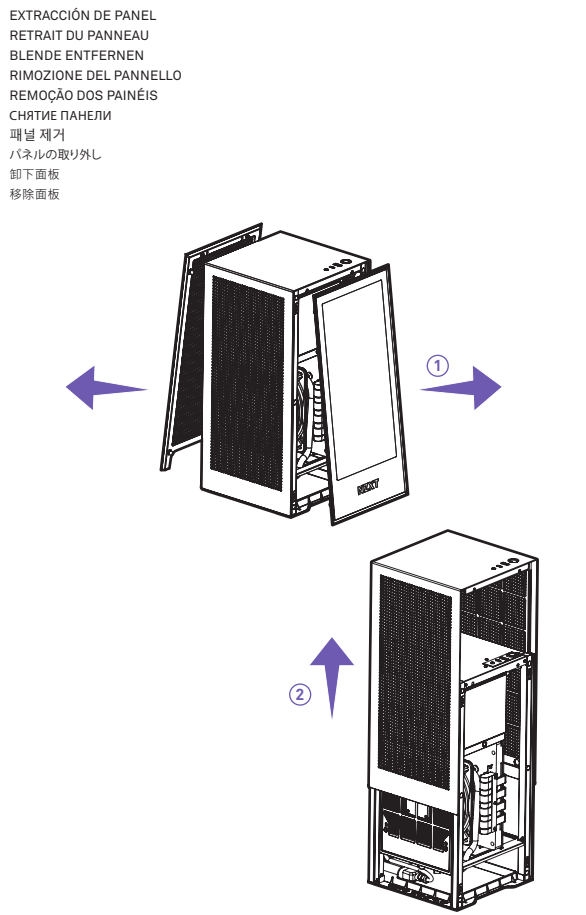


- 1. Liquid Cooler Bracket
2. 140mm AIO Liquid Cooler
3. SFX-L 650W PSU
4. SSD Tray
5. PCI-E Riser Card
6. Dummyboard
7. Cable Cover
8. Front Tempered Glass Panel
9. Top Panel
10. Right Side Filter
11. Left Side Filter
12. Chassis
13. AC Power Cord Extender
14. Rear Panel
15. SATA 80+150mm

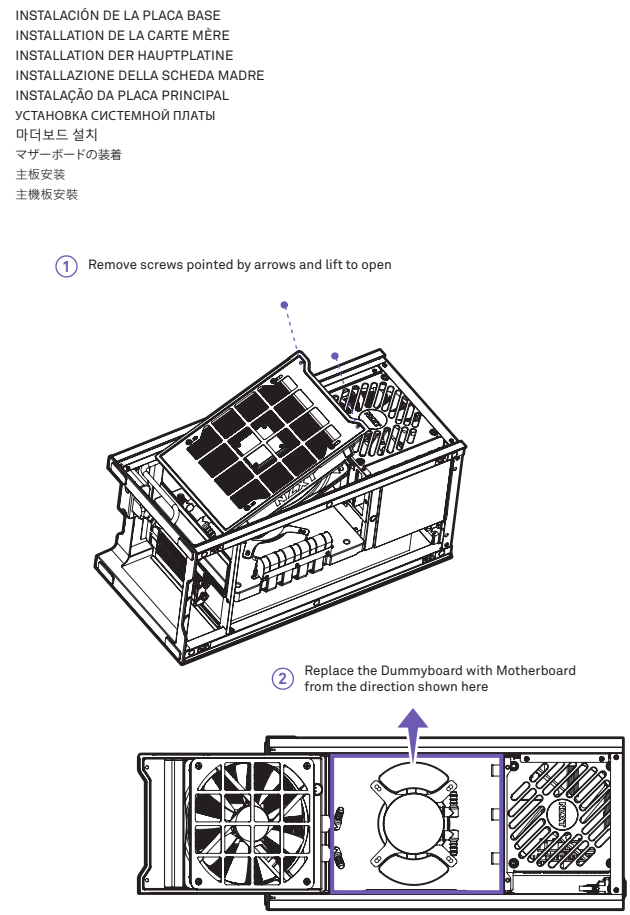
ACCESSORY BOX

Accessory box contents including Backplate, Standoff Screw, Spacer, Thumbnut with Spring, Plastic Washer, Hook Screw for AMD, Screw 6-32 x 5mm, Cable Tie, Breakout Cable, 3.5mm Headset Audio Jack Splitter, AC Power Cord 1.5m.

PANEL REMOVAL

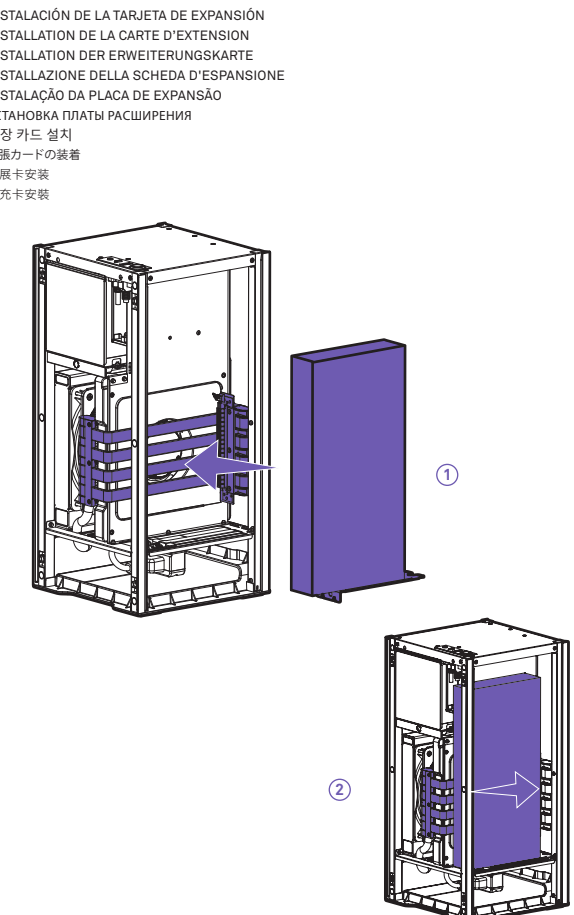


MOTHERBOARD INSTALLATION

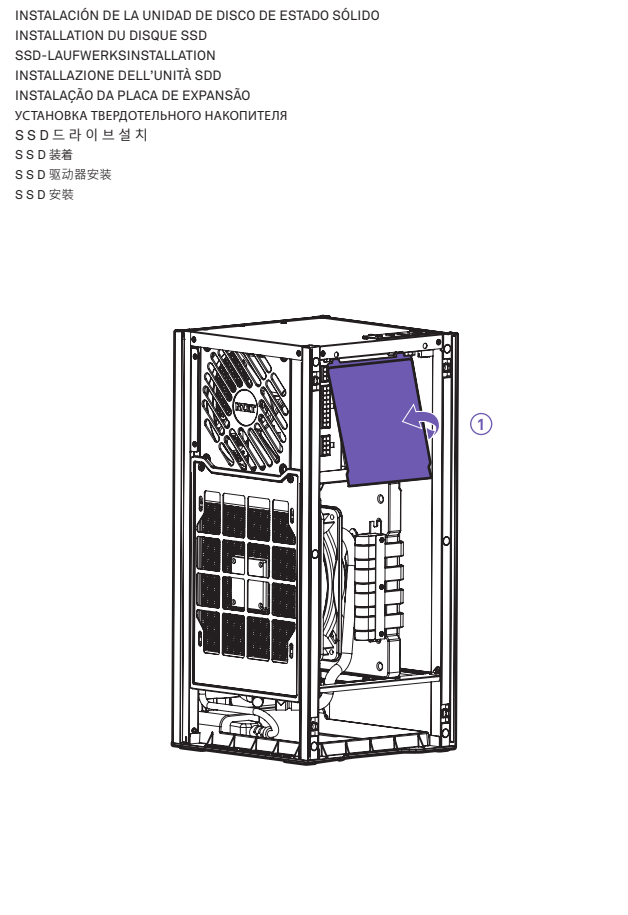


Motherboard installation instructions in multiple languages, including English, Spanish, French, German, Italian, Japanese, Korean, Chinese, and Russian.

EXPANSION CARD INSTALLATION



SSD DRIVE INSTALLATION



CLEARANCES AND SPECIFICATIONS

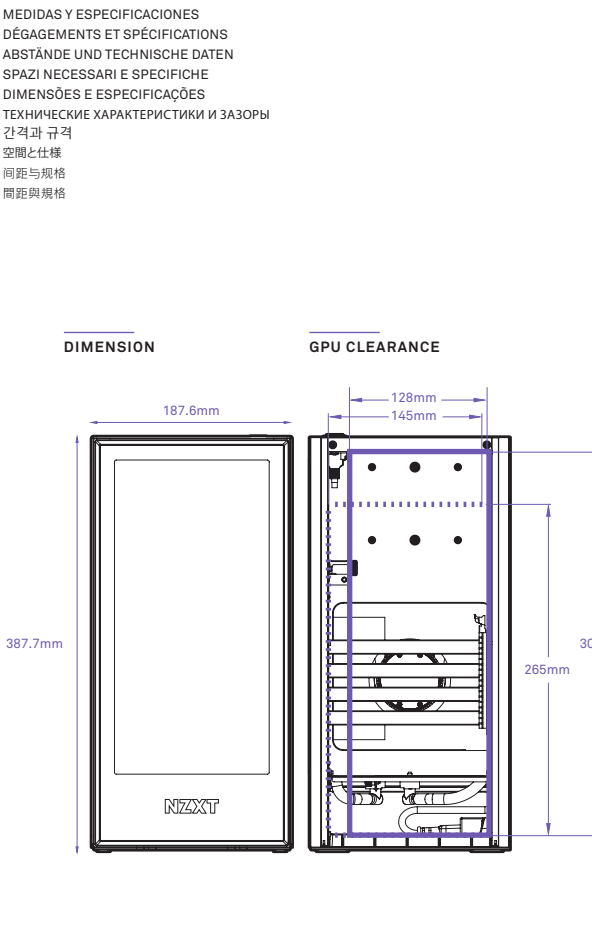
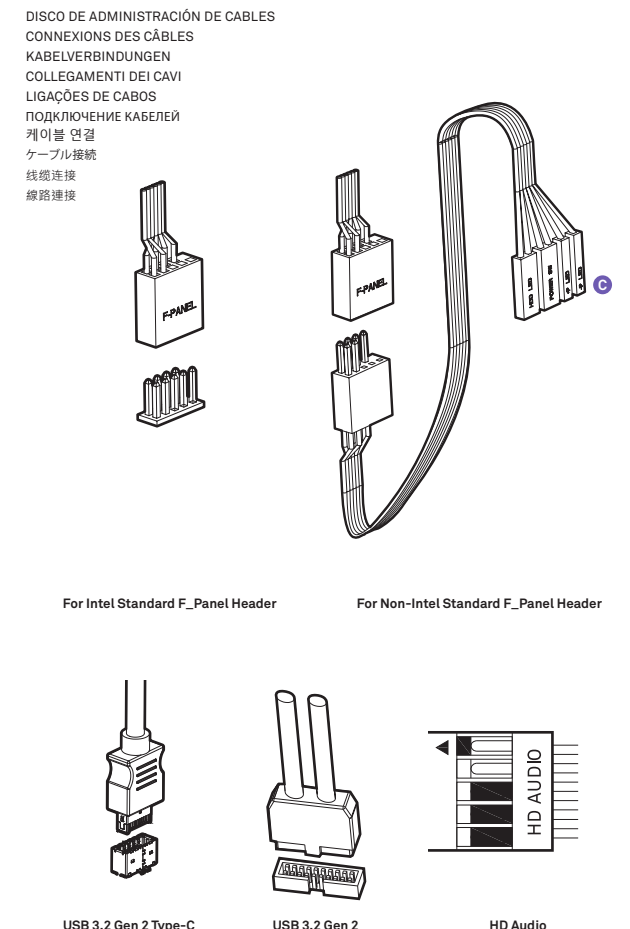


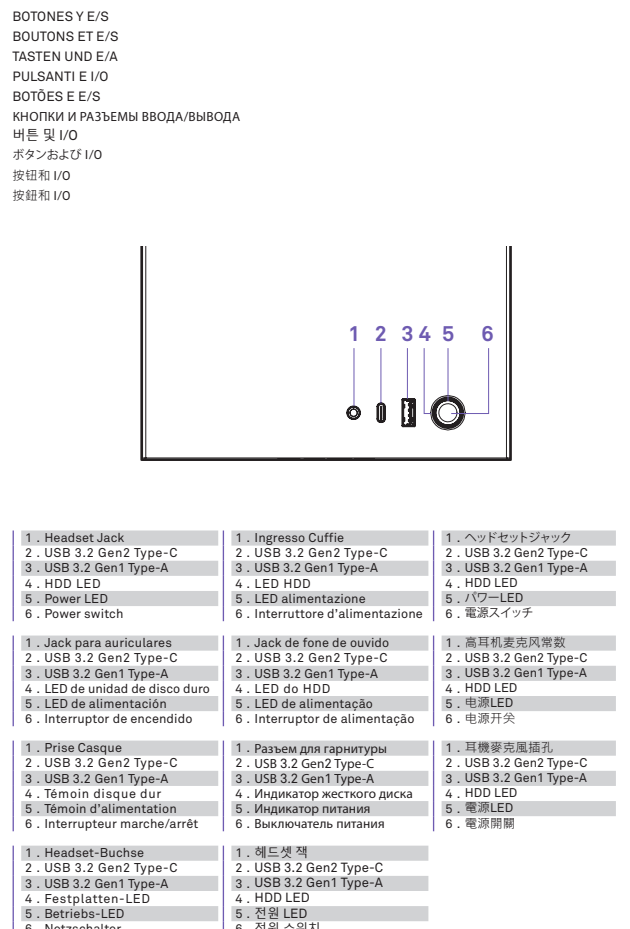
Table with specifications for Motherboard Support, Support for PSU, Support for AIO Liquid Cooler, Support for Riser Card, Support for SSD, Support for GPU, Support for RAM, Support for Storage, Support for Peripherals, Support for Cables, Support for Fans, Support for LEDs, Support for Audio, Support for Video, Support for Networking, Support for Security, Support for Environmental, Support for Compliance, Support for Safety, Support for Warranty.

Table with specifications for Motherboard Support, Support for PSU, Support for AIO Liquid Cooler, Support for Riser Card, Support for SSD, Support for GPU, Support for RAM, Support for Storage, Support for Peripherals, Support for Cables, Support for Fans, Support for LEDs, Support for Audio, Support for Video, Support for Networking, Support for Security, Support for Environmental, Support for Compliance, Support for Safety, Support for Warranty.

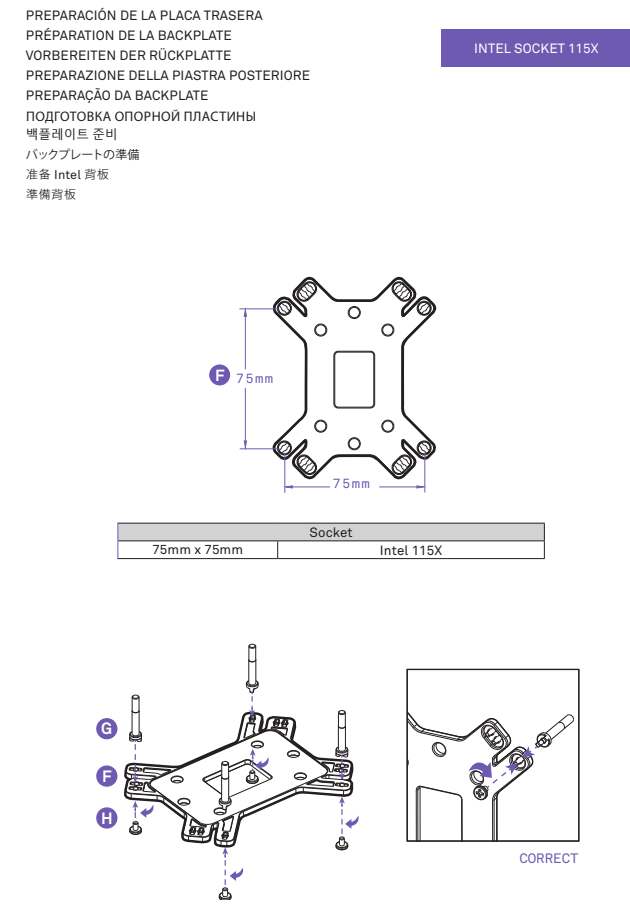
CABLE CONNECTIONS



BUTTONS AND I/O



PREPARING THE BACKPLATE



INSTALLING THE BACKPLATE

