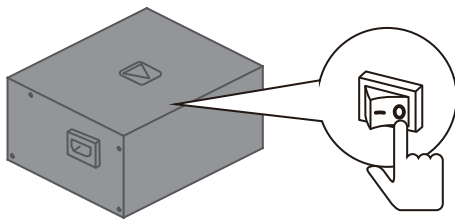


# QUICK INSTALLATION GUIDE



**English**

- ◆ Make sure that your system is turned off and unplugged.

**Français**

- ◆ Assurez-vous que le système est éteint et débranché.

**Русский**

- ◆ Убедитесь, что система выключена и отключена от электросети.

**Deutsch**

- ◆ Stellen Sie sicher, dass Ihr System ausgeschaltet und alle Stromkabel gezogen sind.

**日本語**

- ◆ システムがオフになっており、プラグを抜いていることを確認してください。

**繁體中文**

- ◆ 請確定系統已關閉且已斷電。

**Español**

- ◆ Asegúrese de que el sistema está apagado y desenchufado.

**Italiano**

- ◆ verificare che il sistema sia spento e scollegato.

**Português**

- ◆ Certifique-se que o seu sistema está desligado e sem corrente eléctrica.

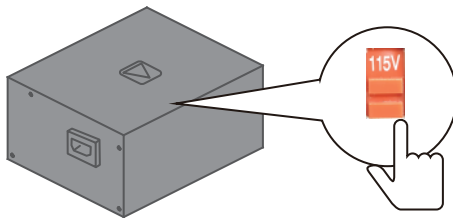
**Türk dili**

- ◆ Sisteminizin kapalı olduğundan ve fişinin takılı olmadığından emin olun.

**简体中文**

- ◆ 请确保系统已关闭，并已拔出插头。

# 02. VOLTAGE SWITCH



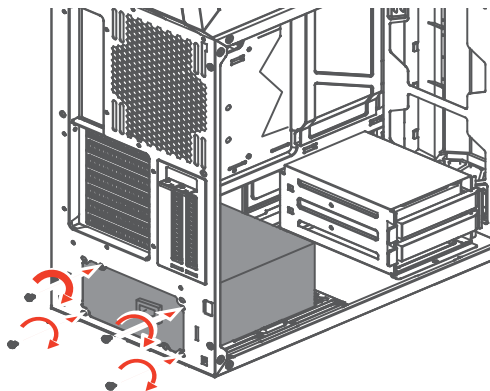
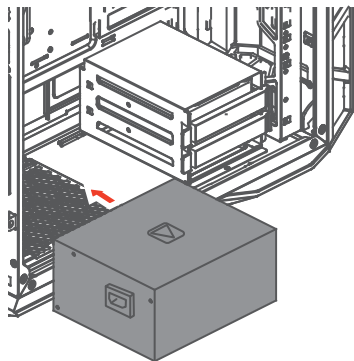
- ▼ If AC voltage of your region is 100~130V, voltage switch must be set to this position
- ▼ For example, if you live in the United States, the voltage switch must be set to this position



- ▼ If AC voltage of your region is 220~240V, voltage switch must be set to this position
- ▼ For example, if you live in France, the voltage switch must be set to this position

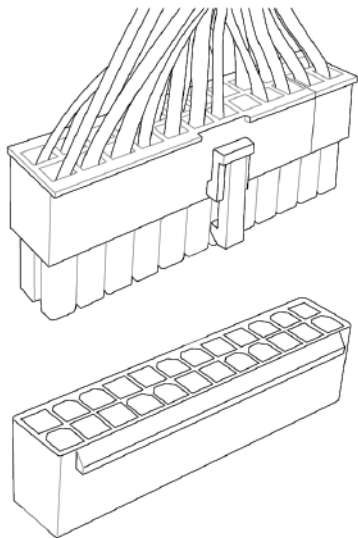


- Make sure voltage switch is correctly set for your region before powered on
- Incorrect voltage switch setting will destroy the PSU

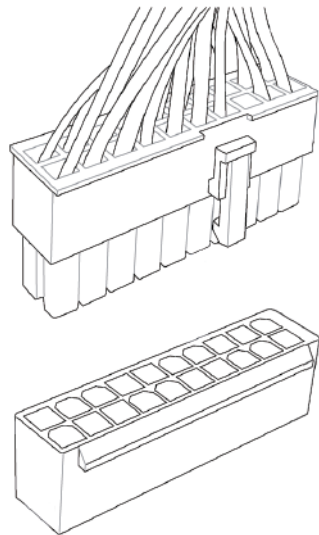


# 04. MOTHERBOARD

**20+4 Pin**

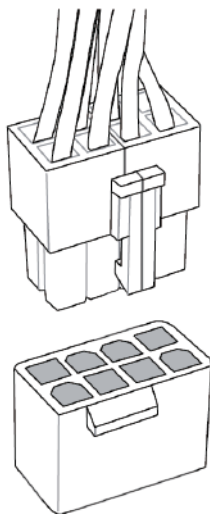


**20 Pin**

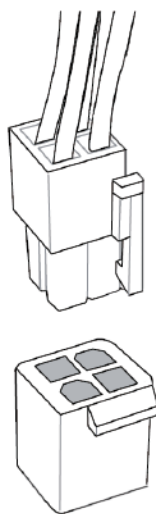


# 05. CPU

## 4+4 Pin

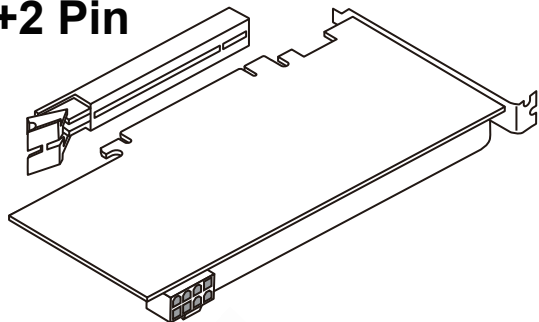


## 4 Pin

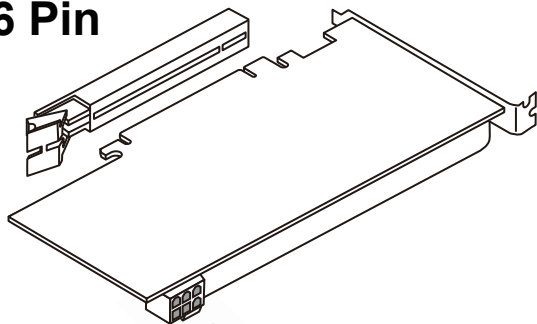


# 06. PCIE

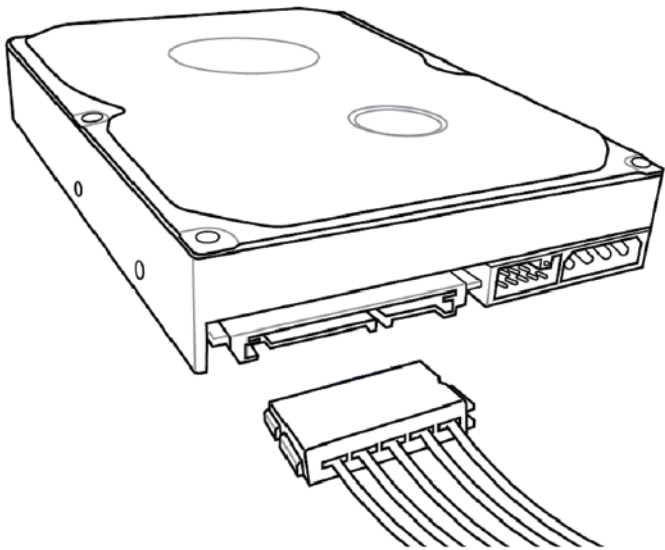
**6+2 Pin**



**6 Pin**

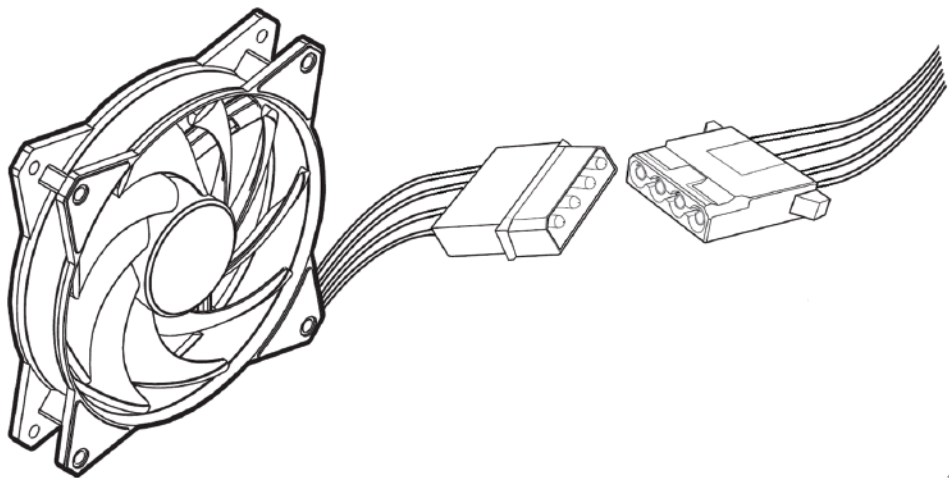


# 07.SATA

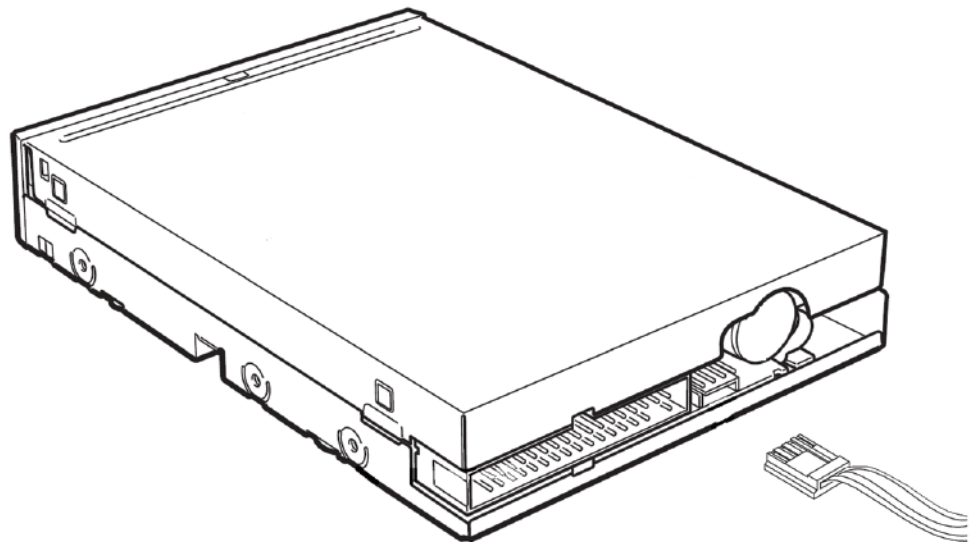




## 08. MOLEX



# 09. FDD

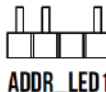
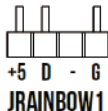
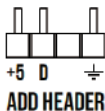


## 10

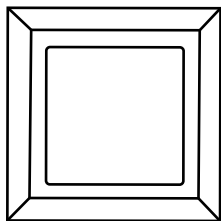
IF YOUR MOTHERBOARD HAS 5V 3-PIN ADDRESSABLE (DIGITAL) LED HEADER, YOU CAN CUSTOMIZE RGB LIGHTING VIA MOTHERBOARD MANUFACTURE SYNC SOFTWARE



The circuit extending from the arrow must be inserted into motherboard's V-Pin.



# 11. RGB LIGHTING



RGB Lighting

3 Sec

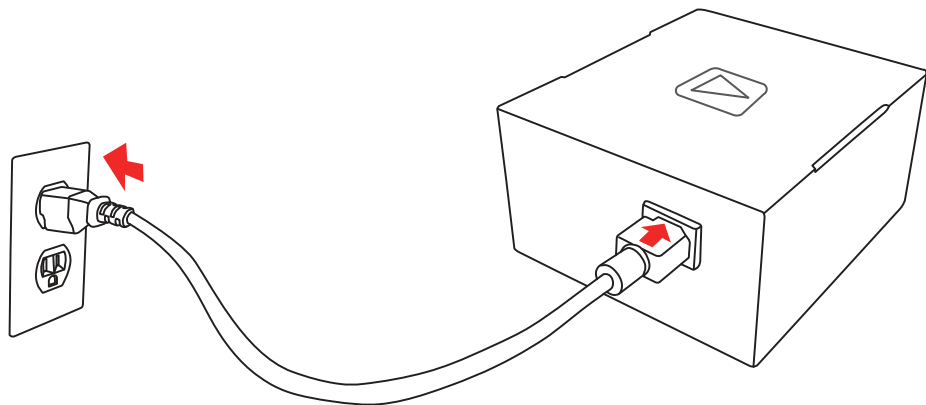


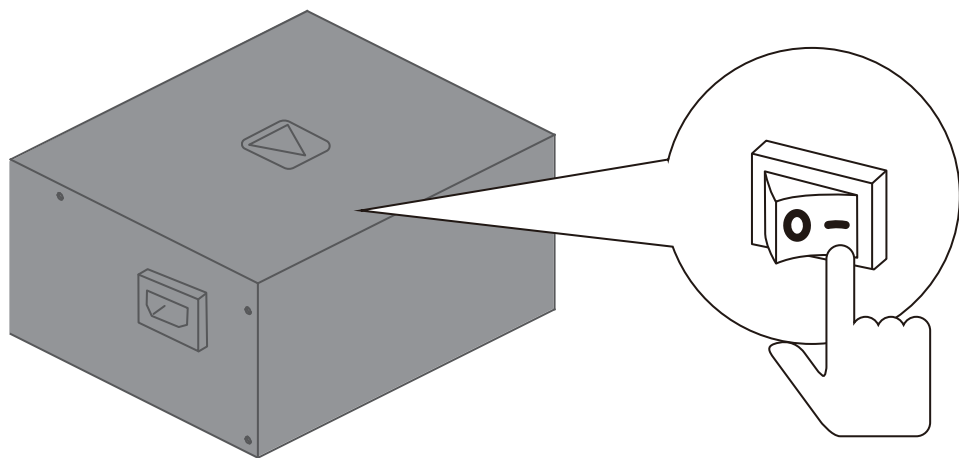
MB  
SYNC



Built-in  
Effects

Easily switch to motherboard manufacture sync software or built-in 30 lighting effects by long pressing button for 3 seconds.







**GAMDIAS**

GAMING ART IN MOTION