

A15974
August 2020
First Edition

ASUS VivoWatch™ SP

HC-A05
User Manual



Android App



iOS App

Table of Contents

English	1
繁體中文.....	37
日本語.....	71
Bahasa Indonesia	105
Bahasa Malayu	139
ไทย	173
Appendix	207

Introduction

Thank you for purchasing the ASUS VivoWatch SP! ASUS VivoWatch SP is the wearable device that packs ASUS HealthAI technology and some fitness functions with all the benefits of being accurate, smart, and compact. Please fill in the following information for future reference:

DATE PURCHASED: _____

SERIAL NUMBER: _____

Staple your receipt here

Register your product at https://account.asus.com/product_reg.aspx

About this manual

This manual provides information about the hardware and software features of your ASUS VivoWatch SP, organized through the following chapters:

Chapter 1: Getting started

This chapter details the hardware components of your ASUS VivoWatch SP and shows you how to use the different parts of your ASUS VivoWatch SP.

Chapter 2: Using your ASUS VivoWatch SP

This chapter provides an overview of using your ASUS VivoWatch SP.

Appendix

This section includes notices for your ASUS VivoWatch SP.



Read all of the information in the instruction manual and any other literature in the box before operating the device. For the full manual version of your ASUS VivoWatch SP, visit our multi-language web site at: https://www.asus.com/VivoWatch/ASUS-VivoWatch-SP-HC-A05/HelpDesk_Manual/.

Conventions used in this manual

To highlight key information in this manual, some text are presented as follows:



This message contains vital information that must be followed to complete a task.



This message contains additional information and tips that can help complete tasks.



This message contains important information that must be followed to keep you safe while performing tasks and prevent damage to your ASUS VivoWatch SP's data and components.

Typography

Bold = This indicates a menu or an item that must be selected.

Italic = This indicates sections that you can refer to in this user guide.

Safety precautions

- The ASUS VivoWatch SP and the charging clip must be recycled or disposed of properly.
- Keep any small components away from children.
- Your ASUS VivoWatch SP should only be used in environments with ambient temperatures between 5°C and 40°C, and stored in environments with ambient temperatures between -20°C and 45°C.
- DO NOT leave your ASUS VivoWatch SP in a hot car. Temperatures in a parked car on sunny days can exceed the recommended ambient temperatures.
- Some people may experience irritations to certain materials used in jewelry, watches, and other wearable items that are in prolonged contact with their skin. This can be due to allergies, environmental factors, extended exposure to irritants like soap, sweat, or other causes.
- You may be more likely to experience irritation from any wearable device if you have allergies or other sensitivities.
- If you have known skin sensitivities, please take special care when wearing your ASUS VivoWatch SP.
- You may be more likely to experience irritation from your ASUS VivoWatch SP if you wear it too tightly.
- Remove your ASUS VivoWatch SP periodically to allow your skin to breathe.

- Keeping your ASUS VivoWatch SP and the strap clean and dry will reduce the possibility of skin irritation.
- If you experience redness, swelling, itchiness, or any other irritation or discomfort on your skin around, or beneath, your ASUS VivoWatch SP, please remove your ASUS VivoWatch SP and consult your physician before resuming wear.
- Continued use, even after symptoms subside, may result in renewed or increased irritation.



- *The ASUS VivoWatch SP is not a medical device and makes no medical claims. It is not intended to diagnose health conditions. The measurement results are only for your reference.*
- *DO NOT adjust medication based on the measurement results from the ASUS VivoWatch SP. Take medication as prescribed by your physician. Only a physician is qualified to diagnose and treat the disease.*

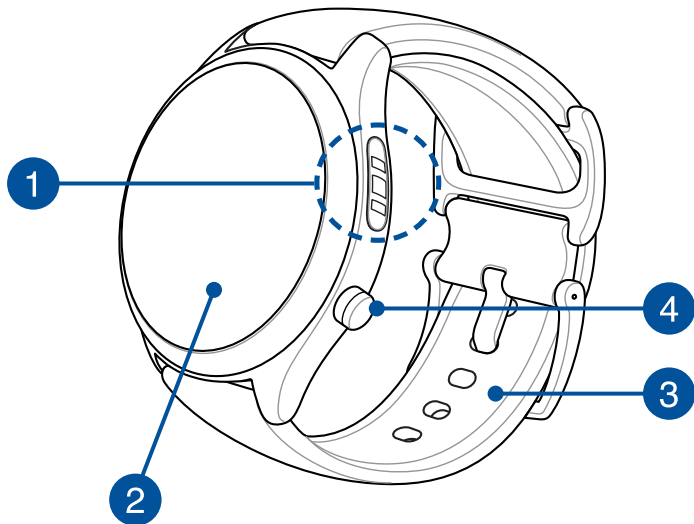
Battery precautions

- Do not dispose of in fire.
- Never attempt to short-circuit the battery.
- Never attempt to disassemble and reassemble the battery.
- Discontinue usage if leakage is found.

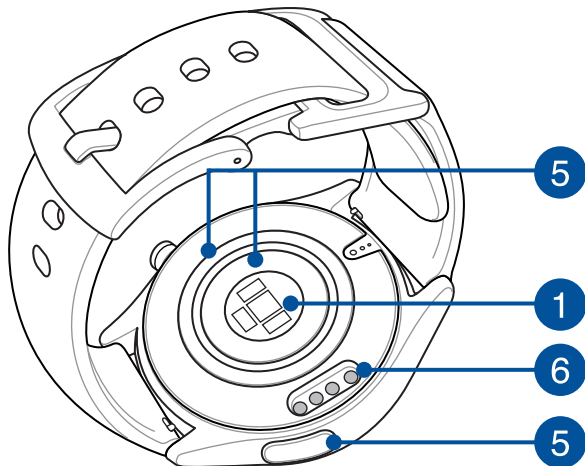
1

Getting started

Getting to know your ASUS VivoWatch SP



- *Your ASUS VivoWatch SP can be used as a standalone device for measurements and time adjustments.*
- *Download and install the companion app for a complete overview of your health data. For more details, refer to the *Installing the companion app* section in this manual.*



- *ASUS VivoWatch SP features 5 ATM water resistance that withstands pressures equivalent to a depth of 50 meters. Suitable for splashes, rain, showering and swimming.*
- *DO NOT use your ASUS VivoWatch SP in liquids with chemicals or salt water (such as sea water, swimming pools, or hot springs) as it may damage the charging connectors. If your ASUS VivoWatch SP has been in contact with the mentioned liquids, ensure to thoroughly rinse the connectors with fresh water and dry it with a clean cloth to prevent corrosion.*

1 PPG (Photoplethysmogram) sensor

This sensor works in conjunction with the electrode to allow you to measure your health data. This sensor also allows you to measure your heart rates.



For more details, refer to the Using your ASUS VivoWatch SP section in this manual.

2 Touch screen display panel

Use the touch screen display panel to operate your ASUS VivoWatch SP using gestures.



For more details, refer to the Using your ASUS VivoWatch SP section in this manual.

3 Strap

The strap allows you to wear your ASUS VivoWatch SP on your wrist.

4

Home button

Press this button on your ASUS VivoWatch SP to return to the home screen. You can also press this button to unlock your ASUS VivoWatch SP or enable other functions.

Press and hold this button for one (1) second to power on your ASUS VivoWatch SP, or press and hold this button for three (3) seconds to power off your ASUS VivoWatch SP. Press and hold this button for ten (10) seconds if you need to force restart your ASUS VivoWatch SP.



To prevent data lost, ensure to upload your data before powering off your ASUS VivoWatch SP.

5

Electrode

This electrode works in conjunction with the PPG sensor to allow you to measure your heart rate and health data.



For more details, refer to the Using your ASUS VivoWatch SP section in this manual.

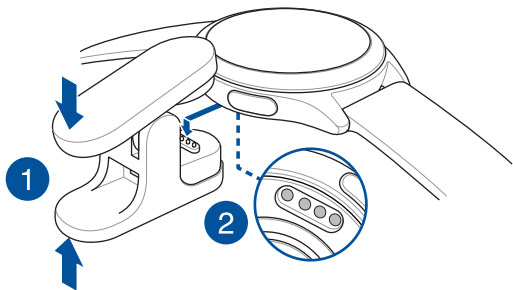
6

Charging connectors (Input: 5Vdc, 0.5A)

Align and connect these charging connectors to the charging connectors on your charging clip to charge the battery of your ASUS VivoWatch SP.

Charging your ASUS VivoWatch SP

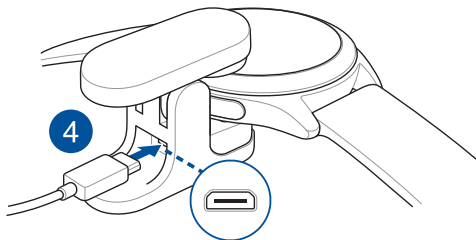
1. Open the charging clip.
2. Align and place the charging connectors on the back of your ASUS VivoWatch SP onto the charging connectors on the charging clip.



Before connecting the charging clip to your ASUS VivoWatch SP, ensure that the charging connectors and the bottom of the ASUS VivoWatch SP are clean and dry to prevent corrosion and malfunction:

1. *Gently wipe the charging connectors with a clean flannel.*
2. *Wipe dry your ASUS VivoWatch SP.*

3. Ensure the charging clip holds onto your ASUS VivoWatch SP firmly.
4. Connect the USB cable to the charging clip, then connect the USB cable to a power source to start charging.



Your ASUS VivoWatch SP automatically powers on when fully charged.



- *Connecting the USB cable improperly may cause serious damage to the ASUS VivoWatch SP. Any damage caused by misuse is not covered by the warranty.*
- *Do not short circuit the charging connectors on the dock.*
- *Some power banks can not detect low current devices, and will therefore not be able to charge the ASUS VivoWatch SP.*

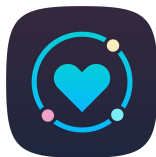
2

Using your ASUS VivoWatch SP

Installing the companion app

Pair your ASUS VivoWatch SP with the companion app to take advantage of all its features, such as activity data, pill reminders, path tracking, message and call notifications, and sleep and health recommendations.

1. On your phone, log in or sign up for a Google account or Apple ID.
2. Launch **Play Store** or **App Store**.
3. Search for **ASUS HealthConnect App**, then install the companion app.

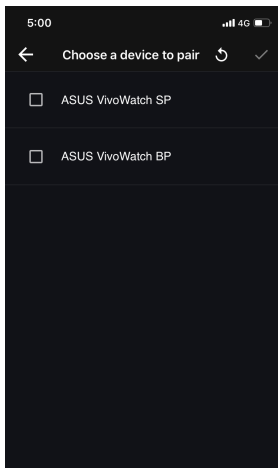
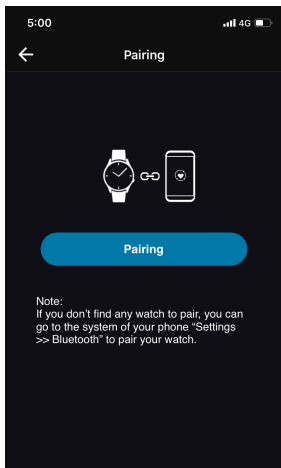


Pairing for the first time



- Turn on the Bluetooth of your phone before pairing.
- Ensure that the ASUS VivoWatch SP is within three meters from your phone.

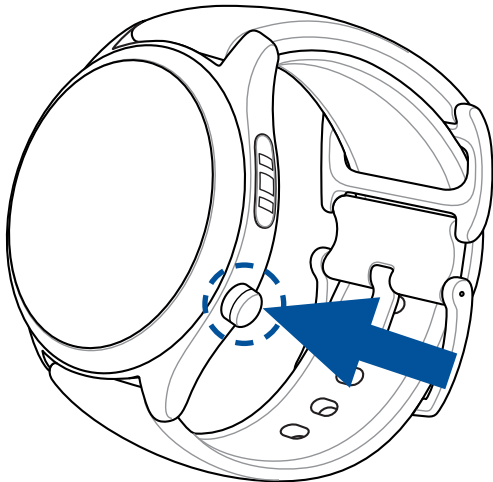
1. Press and hold the **Home button** for one (1) second to power on your ASUS VivoWatch SP.
2. Launch the **ASUS HealthConnect App**.
3. Follow the onscreen instructions on your phone and ASUS VivoWatch SP to complete the pairing process.



Navigating your ASUS VivoWatch SP

Unlocking your ASUS VivoWatch SP

Press the **Home button** to unlock your ASUS VivoWatch SP. You can scroll through the ASUS VivoWatch SP features after it is unlocked.



After a period of inactivity, the ASUS VivoWatch SP returns to the home screen and is locked to prevent unwanted operations.

Scrolling through ASUS VivoWatch SP features

Swipe left or right to scroll through the ASUS VivoWatch SP features.



You can press the **Home button** to return to the *HOME* screen.

Viewing more information for the selected feature

Swipe up or down to view more information for the selected ASUS VivoWatch SP feature or change the watch face.



Not all features contain additional information.

ASUS VivoWatch SP features

Your ASUS VivoWatch SP shows information about your daily activity status, exercise time, and sleep quality to assist you towards a healthier life.







The screens shown in this manual are for reference only.

Home screen

The ASUS VivoWatch SP home screen displays the time, date, and status of your ASUS VivoWatch SP.

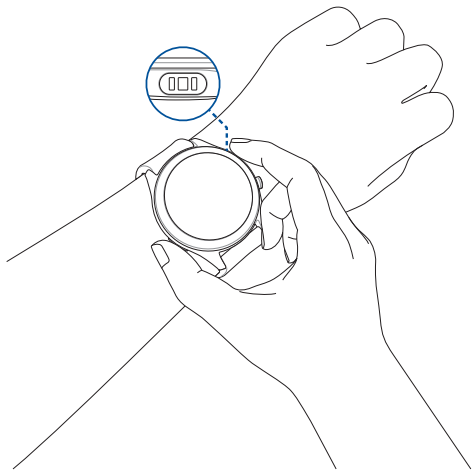


Icon	Description
	Locked
	Battery level
	Connected
	Alarm

PTT index screen

This screen allows you to measure your health data. Your ASUS VivoWatch SP can also estimate your emotional stress by using the PTT (Pulse Transit Time) Index.

Swipe right from the **Home screen** to enter the **PTT index screen**. Place your thumb and index finger onto the electrode and the PPG sensor.



Your ASUS VivoWatch SP uses the PPG sensor in conjunction with the electrode to allow you to pick up your health data, and the way you wear your ASUS VivoWatch SP can affect the accuracy of the measurements.

To get more accurate results:

- Wear the ASUS VivoWatch SP in a normal way with the watch face facing up, the bottom of the ASUS VivoWatch SP touching your skin, and the ASUS VivoWatch SP away from your wrist bone.
- Wear your ASUS VivoWatch SP in a way without being uncomfortable. Do not strap the ASUS VivoWatch SP too tight to your wrist.
- Place your finger **gently** on the electrode and cover the PPG sensor while measuring your health data.
- Remain still while measuring to get the most accurate results.



- *The accuracy of the PPG sensor may vary depending on measurement conditions and surroundings. If the PPG sensor is dirty, clean the sensor and try again.*
- *Do not look directly into the PPG sensor, the sensor light may impair your vision.*
- *Please make sure children do not look directly into the sensor light.*
- *The ASUS VivoWatch SP is not a medical device and makes no medical claims. It is not intended to diagnose health conditions. The measurement results are only for your reference.*

Body Harmony measuring screen

This screen allows you to measure your Body Harmony (including the Stress index and Relax index). The Body Harmony data will help you to keep track of your well-being, and ultimately, enable you to improve the balance of your body and mind.



Pulse O2 level screen

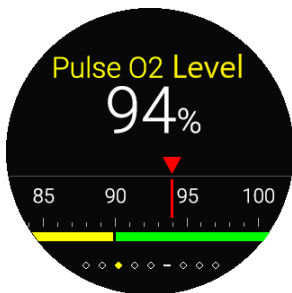
Your ASUS VivoWatch SP features a wrist-based Pulse O2 level function. It will help you determine how your body is acclimating to high altitudes for alpine sports and expeditions.

Entering Pulse O2 level mode

To enter Pulse O2 level mode, swipe left or right to the screen that displays **Pulse O2 Level**. Please wear it on your wrist and place your thumb and index finger onto the electrode and the PPG sensor. Make sure your ASUS VivoWatch SP sits properly on your wrist, the measurement will begin automatically.



On your ASUS VivoWatch SP, your Pulse O2 level reading appears as a percentage and color on the graph.

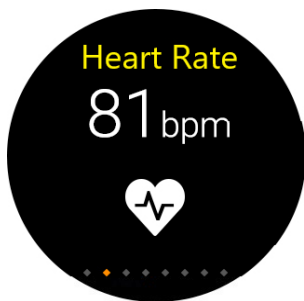


Using the ASUS HealthConnect App for Pulse O2 level reading

On the ASUS HealthConnect app, you will have access to additional details about your Pulse O2 level readings, including trends over multiple days.

Heart rate screen

This screen shows your current heart rate. The PPG sensor on your ASUS VivoWatch SP automatically determines your current heart rate.




To get more accurate results:

1. Wear the ASUS VivoWatch SP in a normal way with the watch face facing up, the bottom of the ASUS VivoWatch SP touching your skin, and the ASUS VivoWatch SP away from your wrist bone.
2. Wear your ASUS VivoWatch SP in a way without being uncomfortable. Do not strap the ASUS VivoWatch SP too tight to your wrist.
3. You can get the most accurate results from the heart rate monitor when you are warmed up.

Exercise screen

This screen allows you to keep track of your exercise sessions. When you start exercise mode, your ASUS VivoWatch SP will record information about the current exercise session and show the information as they are recorded.


Entering exercise mode

To enter exercise mode, swipe left or right to the **Exercise** screen, then select **Outdoor** or **Indoor** and tap  to enter exercise mode.



From the exercise screen, swipe up or down to view information such as the real time heart rate, exercise time, calories, steps, and distance for the current exercise session.

Exiting exercise mode

To exit exercise mode, press the **Home button**, then tap  to exit exercise mode.



Settings

This screen allows you to change settings directly on your ASUS VivoWatch SP. Swipe left from the Home screen three times to enter the **Settings screen**.

Swipe up or down on the **Settings screen** to view the configurable settings listed below.



Setting	Description
Time	Adjust the time.
Profile	Adjust your profile. Enter your personal information correctly for more accurate health data.
Target	Set your daily calorie goal and step goal.
Brightness	Adjust the brightness of your ASUS VivoWatch SP. This effect is more noticeable in darker environments.
Language	Change device language.
About	View more information about your device, such as firmware version, serial number, reset device, etc.

Activities screen

Your ASUS VivoWatch SP will automatically record your daily activities and display them on this screen. Swipe left from the **Home screen** to enter the **Activities screen**.

You can view your daily activities such as steps you have taken, calories you have burned, the altitude you are at, your sleep time, and your comfort sleep time as they are recorded.



Swipe up or down to view other activities.

Notifications

When you receive a call or message on your paired phone, your ASUS VivoWatch SP will vibrate and show you the phone number of the caller or a preview of the message.



Reminders

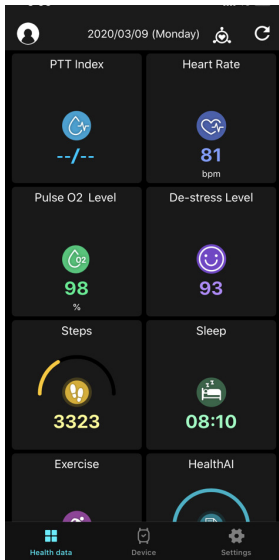
Your ASUS VivoWatch SP will also show you walk and pill reminders to aid you towards a healthier lifestyle.



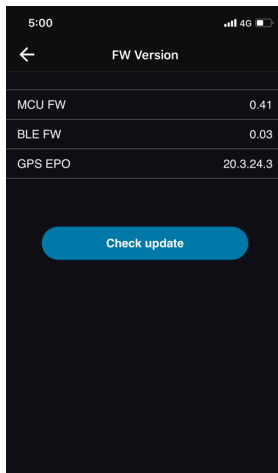
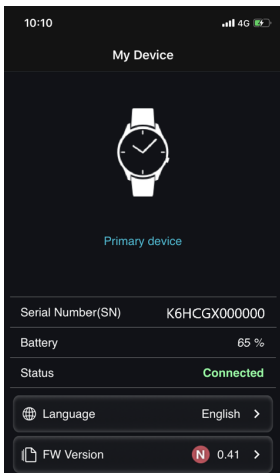
Updating your ASUS VivoWatch SP

Updating through the ASUS HealthConnect App

1. Launch the **ASUS HealthConnect App**.
2. From the Today screen, tap **Device** on the bottom.



3. On **My Device** screen, select **FW Version** and tap **Check update** to check if your current version is up to date.



用途

感謝您購買 ASUS VivoWatch SP！ASUS VivoWatch SP 提供您下列用途：

1. 運動與活動管理：包含活動與運動心跳頻率、情緒壓力資訊（舒壓指數與脈波指數）、身體攝氧指數、計步及運動

管理等資訊。

2. 運動 GPS：運動模式可記錄運動歷程、運動時間、運動心跳頻率與計步數等資訊。

3. 通知功能：將 ASUS VivoWatch SP 透過藍芽配對到手機時，手機收到來電或訊息，ASUS VivoWatch SP 可顯示來電號碼與訊息預覽。

請填入以下資訊供日後參考：

購買日期： _____

產品序號： _____

收據黏貼處

註冊產品請至 https://account.asus.com/product_reg.aspx

關於這本手冊

本手冊提供 ASUS VivoWatch SP 的硬體與軟體功能資訊，依下列章節說明：

第一章：開始使用前

此章節介紹 ASUS VivoWatch SP 的硬體組件細節並說明如何使用。

第二章：使用 ASUS VivoWatch SP

此章節為 ASUS VivoWatch SP 操作說明。

附錄

此章節包含 ASUS VivoWatch SP 相關安規聲明。



操作本裝置前請先詳閱本手冊中的所有訊息以及包裝盒上的其他說明。ASUS VivoWatch SP 的完整手冊請至我們的多國語言網站：https://www.asus.com/VivoWatch/ASUS-VivoWatch-SP-HC-A05/HelpDesk_Manual/。

手冊中的訊息圖示

為了強調手冊中的重要資訊，訊息說明會以下列方式呈現：



本訊息包含必須遵守才能完成工作的重要資訊。



本訊息包含助於完成工作的額外資訊與提示。



本訊息包含在特定工作時必須遵守以維護使用者安全以及避免造成 ASUS VivoWatch SP 資料與組件毀損的重要資訊。

安全注意事項

- ASUS VivoWatch SP 與充電座必須回收並做適當的廢棄物處理。
- 讓孩童遠離細小零組件。
- ASUS VivoWatch SP 應該在環境溫度 5° C 至 40° 間使用並存放於環境溫度 -20° C 至 45° 間。
- 請勿將 ASUS VivoWatch SP 置放於車中。烈日下久停的車內高溫會超過建議使用環境溫度。
- 某些人可能會因為用於珠寶、手錶以及其他會長時間接觸肌膚穿戴式物品中的特定金屬而過敏。這可能歸因於過敏體質、環境因素、長時間接觸刺激物如肥皂、汗水或其他會引起過敏的物質。
- 若您有過敏體質或其他敏感問題，您可能更容易因為配戴任何穿戴式裝置而造成過敏。
- 若已知您為敏感性肌膚，配戴 ASUS VivoWatch SP 時請特別小心。
- 若您配戴 ASUS VivoWatch SP 過緊，可能更容易造成過敏。
- 配戴一段時間後請取下 ASUS VivoWatch SP 讓肌膚呼吸。
- 請保持腕帶清潔與乾燥將會降低皮膚過敏的可能性。
- 若您發現在 ASUS VivoWatch SP 周圍或下方的肌膚出現紅腫、搔癢或其他過敏或不適現象，請立刻取下 ASUS VivoWatch SP 並在再次配戴前向您的醫師諮詢。
- 即便在症狀消退後繼續使用，可能還是會造成新的過敏反應。



- ASUS VivoWatch SP 並非醫療器材且無宣稱療效。用途並非診斷健康狀態，顯示資訊僅供參考。
- 請勿根據 ASUS VivoWatch SP 的顯示資訊調整藥物治療。請依照醫師處方用藥。只有執業醫師才有資格診斷。

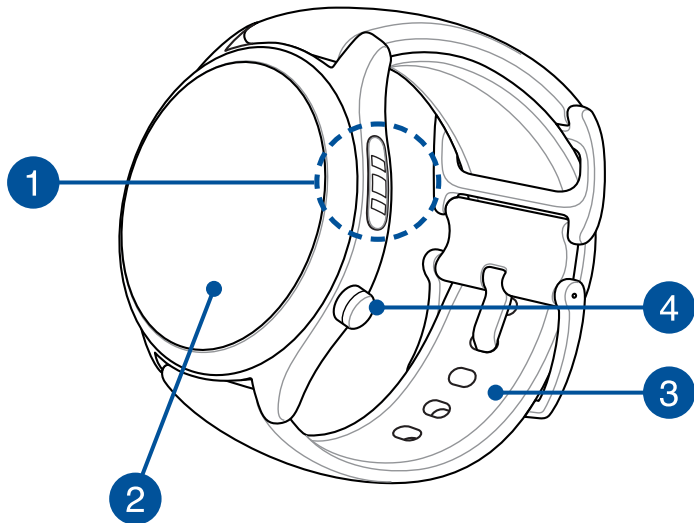
電池注意事項

- 請勿接觸火源。
- 請勿嘗試將電池短路。
- 請勿嘗試拆解與組裝電池。
- 若發現有液體滲漏請勿繼續使用。

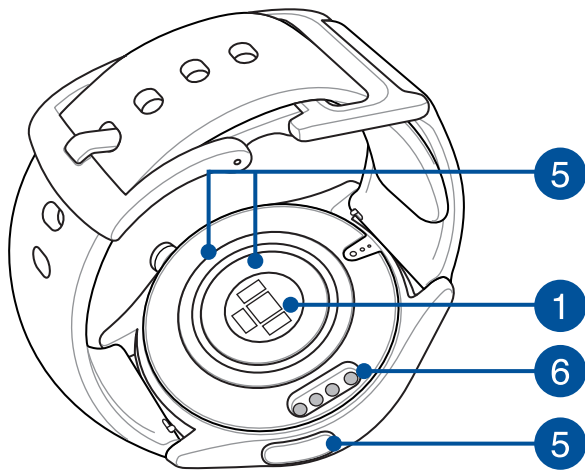
1

開始使用前

認識您的ASUS VivoWatch SP



- ASUS VivoWatch SP 可以做為獨立使用裝置。
- 下載並安裝專屬應用程式以完整檢視您的健康資料。更多細節請參考本手冊中 **安裝專屬應用程式** 章節的說明。



- ASUS VivoWatch SP 具備 5 ATM 防水功能，能承受等同於 50 米深的水壓，潑水、雨中、淋浴以及游泳時皆能使用。
- 請勿在含有化學物質的液體或鹼水（如海洋、游泳池或溫泉）中使用 ASUS VivoWatch SP，因為可能會造成充電連接埠損壞。若 ASUS VivoWatch SP 接觸到前述液體，請務必使用清水清洗連接埠並使用乾淨抹布擦乾以避免鏽蝕。

1 光學心率感測器（PPG sensor）

此感測器結合微電感測器能讓您測量健康資料以及心率。



更多細節，請參考本手冊中 **使用 ASUS VivoWatch SP** 章節的說明。

2 觸控螢幕顯示面板

透過觸控螢幕顯示面板觸控操作 ASUS VivoWatch SP。



更多細節，請參考本手冊中 **使用 ASUS VivoWatch SP** 章節的說明。

3 腕帶

腕帶可讓您將 ASUS VivoWatch SP 舒適地戴在手腕上。

4 主頁按鈕

按一下此按鈕即可返回主畫面。您也可以按此按鈕為 ASUS VivoWatch SP 解鎖或啟動其他功能。

按住此按鈕約 1 秒將 ASUS VivoWatch SP 開機，或按住此按鈕約 3 秒將 ASUS VivoWatch SP 關機；或按住此按鈕約 10 秒以將 ASUS VivoWatch SP 強制關機。



為避免資料遺失，將 ASUS VivoWatch SP 關機前請確認已將您的資料上傳。

5 微電感測器

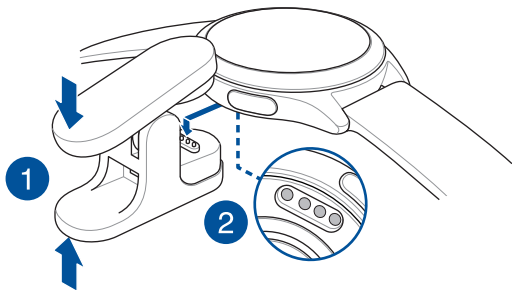
微電感測器結合光學心率感測器可讓您測量您的心率與健康資料。

6 充電連接埠（輸入：5Vdc, 0.5A）

將此連接埠對準並與充電座連接來為 ASUS VivoWatch SP 電池充電。

為 ASUS VivoWatch SP 充電

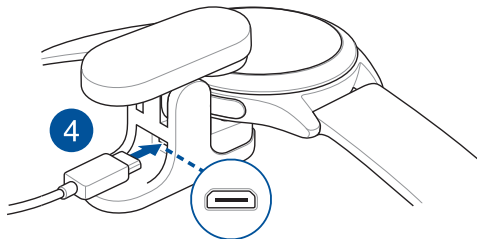
1. 打開充電夾。
2. 將 ASUS VivoWatch SP 背面的充電連接埠對準並置於充電夾的充電連接埠上。



將充電夾與 ASUS VivoWatch SP 連接之前，請確認充電連接埠與 ASUS VivoWatch SP 底部是乾淨且乾燥的，以避免鏽蝕與故障。

1. 請使用乾淨絨布或小刷子輕輕清潔充電連接埠。
2. 再將 ASUS VivoWatch SP 擦乾。

3. 請確認充電夾將 ASUS VivoWatch SP 牢牢夾緊。
4. 將 USB 傳輸線與充電夾連接，然後將 USB 傳輸線連接至電源以開始充電。



充電完成後，ASUS VivoWatch SP 會自動開機。



- 未正確連接 USB 傳輸線可能會造成 ASUS VivoWatch SP 嚴重損壞。任何因不當使用造成的損壞並不在保固範圍之內。
- 請勿將充電座上的充電連接埠短路。
- 某些行動電源無法偵測低電流裝置，因此無法為 ASUS VivoWatch SP 充電。

2

使用 ASUS VivoWatch SP

安裝專屬應用程式

將 ASUS VivoWatch SP 與專屬應用程式配對以使用其所有功能，像是活動資料、用藥提醒、步行紀錄、訊息與來電通知以及睡眠資訊。

1. 在您的手機上登入 Google 帳號或 Apple ID。
2. 開啟 Play 商店 或 App Store。
3. 搜尋 ASUS HealthConnect App，然後安裝專屬應用程式。

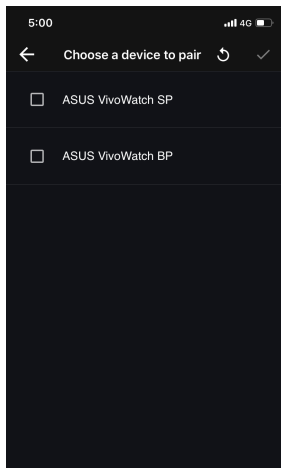
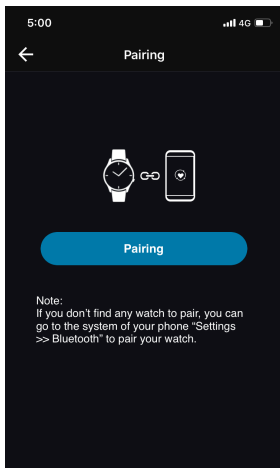


初次配對



- 配對前請開啟手機的藍牙功能。
- 請確認ASUS VivoWatch SP 在距離手機 3 公尺內。

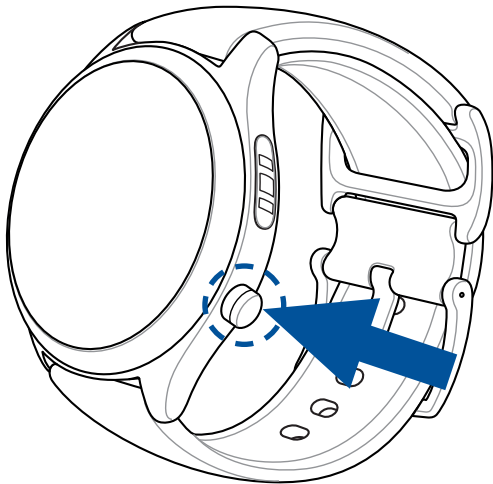
1. 按住主頁按鈕約 1 秒將ASUS VivoWatch SP 開機。
2. 開啟 ASUS HealthConnect App。
3. 依照手機與ASUS VivoWatch SP 上的畫面指示完成配對程序。



瀏覽 ASUS VivoWatch SP

將 ASUS VivoWatch SP 解鎖

按下主頁按鈕將 ASUS VivoWatch SP 解鎖。解鎖後便可以捲動瀏覽 ASUS VivoWatch SP 的功能。



未使用 ASUS VivoWatch SP 一段時間後，ASUS VivoWatch SP 會返回主畫面並鎖定以避免誤觸。

瀏覽 ASUS VivoWatch SP 功能

左右滑動以瀏覽 ASUS VivoWatch SP 的功能。



您可以按下 **主頁按鈕** 返回主畫面。

檢視所選功能的更多資訊

上下滑動以檢視所選 ASUS VivoWatch SP 功能的更多資訊或變更錶面。



並非所有功能皆提供額外資訊。

ASUS VivoWatch SP 功能

ASUS VivoWatch SP 會顯示您每日活動狀態、運動時間以及睡眠資訊，以協助您展開更自在的生活。



本手冊中的螢幕畫面僅供參考。

主畫面

ASUS VivoWatch SP 主畫面顯示時間、日期以及 ASUS VivoWatch SP 的狀態。



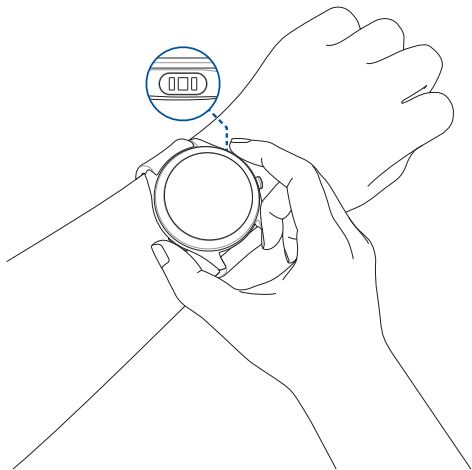
圖示	說明
	鎖定
	電量
	已連線
	鬧鐘

脈波指數畫面

此畫面可讓您測量您的脈波指數。ASUS VivoWatch SP 也能透過脈波指數 (Pulse Transit Time) 評估您的情緒壓力。

從 **主畫面** 向右滑動進入 **脈波指數** 畫面。

然後將手指放在微電感測器與光學心率感測器上。



ASUS VivoWatch SP 使用 PPG 光學心率感測器搭配微電感測器，可讓您管理活動資訊，其中的脈波指數（Pulse Transit Time）是一種情緒壓力指數，主要提供您情緒壓力狀態變化的參考。

請依照以下說明來操作：

- 依照正常方式將錶面向上配戴 ASUS VivoWatch SP，ASUS VivoWatch SP 的底部碰觸皮膚並讓 ASUS VivoWatch SP 遠離腕骨。
- 配戴 ASUS VivoWatch SP 應以舒適為原則。請勿配戴過緊。
- 操作時將手指輕輕的蓋住微電感測器和 PPG 光學感測器。
- 手指和身體請保持不動以獲得活動資訊結果。



- 若 PPG 心率感測器有髒汙，請擦拭乾淨並再試一次。
- 請勿直視 PPG 心率感測器，感測器的光線可能會傷害您的眼睛。
- 勿讓孩童直視 PPG 心率感測器光線。
- 本產品所提供的健康資訊不適用於診斷、治療或減輕疾病、其他症狀等臨床或醫療用途，相關資訊僅供參考，如有相關疾病建議至醫院尋求醫生正確的治療及診斷。

身心平衡指數測量畫面

此畫面可讓您測量您的身心平衡指數（包括壓力與放鬆指數）。身心平衡指數資料有助於追蹤您的身心平衡與情緒狀態。



身體攝氧指數畫面

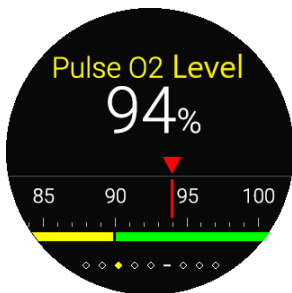
ASUS VivoWatch SP 提供手腕偵測身體攝氧指數的功能，有助於決定身體如何適應高山運動與攀登高峰時的高海拔。

進入身體攝氧指數量測模式

從主頁畫面中左右滑動以進入身體攝氧指數量測畫面。請將 ASUS VivoWatch SP 戴在手腕上適當位置並將拇指與食指同時放在微電感測器與光學心率感測器上，量測將會自動開始。



在您的 ASUS VivoWatch SP 上，您的身體攝氧指數會以百分比以及色條上的顏色顯示。

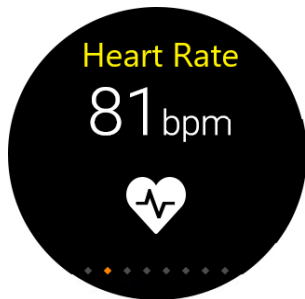


使用 ASUS HealthConnect App 檢視身體攝氧指數

在 ASUS HealthConnect app 中，您可以檢視關於身體攝氧指數的其他細節，包括多日統計趨勢。

活動心率畫面

此畫面會顯示您目前的活動心率。ASUS VivoWatch SP 上的心率感測器會自動偵測您目前的活動心率。




請依照下列步驟取得操作結果：

1. 依照正常方式將錶面向上配戴 ASUS VivoWatch SP，ASUS VivoWatch SP 的底部碰觸皮膚並讓 ASUS VivoWatch SP 遠離腕骨。
2. 配戴 ASUS VivoWatch SP 應以舒適為原則。請勿配戴過緊。
3. 在您體溫升高至正常溫度後，即可透過心率感測器獲得活動心率資訊。


運動畫面

此畫面可讓您記錄運動歷程。當您開始運動模式，ASUS VivoWatch SP 將會記錄目前運動的資訊並顯示所記錄的資訊。

進入運動模式


要進入運動模式，左右滑動至運動畫面，選擇 **室外運動** 或 **室內運動** 然後點選  進入運動模式。



- 在運動模式中，選擇 **Outdoor (室外)** 以開啟 GPS 功能。在您開始運動前請先在戶外空曠處等待 GPS 訊號鎖定。
- GPS 訊號鎖定後，將會出現恆亮的  圖示。

從運動畫面中，上下滑動以檢視目前運動歷程中的即時運動心率、運動時間、卡路里、步數與距離資訊。

離開運動模式

要離開運動模式時，請按下主頁按鈕，然後點選  離開運動模式。



設定

此畫面可讓您在 ASUS VivoWatch SP 上直接變更設定。從 **主畫面** 向左右滑動進入 **設定畫面**。

在 **設定** 畫面上下滑動以檢視可調整的項目，如下表所示。

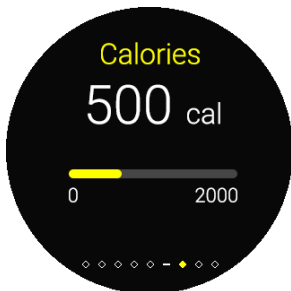


設定	說明
時間	調整時間。
個人資料	輸入正確的個人資料。
目標	設定每日熱量與步數目標。
亮度	調整 ASUS VivoWatch SP 背光亮度。此效果在昏暗環境會更顯著。
語言	變更手錶上的語系
關於	檢視關於手錶的更多資訊，如韌體版本、序號、電子標籤等。

活動畫面

ASUS VivoWatch SP 會自動記錄您的日常活動並將其顯示於螢幕上。在 **主畫面** 向左滑動以進入 **活動畫面**。

您可以檢視您的日常活動如行走步數、消耗卡路里、所在海拔高度、睡眠時間等資訊。



上下滑動以檢視其他活動。

通知

當您的配對手機收到來電或訊息，ASUS VivoWatch SP 將會震動並顯示來電號碼或訊息預覽。



提醒

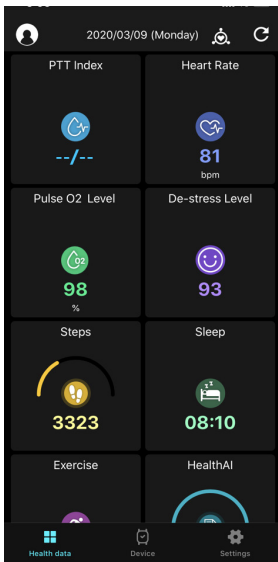
ASUS VivoWatch SP 也會顯示起身活動與服藥提醒以協助您展開更自在的生活。



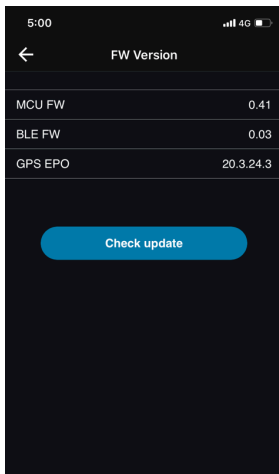
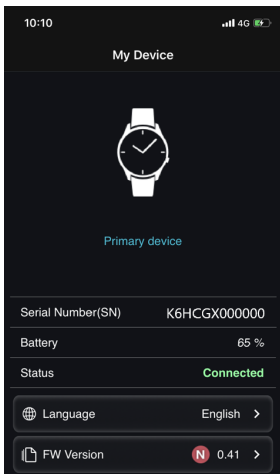
更新ASUS VivoWatch SP

透過華碩 HealthConnect App 更新

1. 開啟 ASUS HealthConnect App。
2. 在 Today 畫面中，點選下方的 裝置。



3. 在裝置畫面中，選擇**韌體版本**並點選**檢查更新**以確認目前為最新版本。



はじめに

この度はASUS製品をお買い上げいただき、誠にありがとうございます。本製品は、コンパクトな設計で健康的な生活をサポートする、ASUS HealthAI テクノロジーを搭載したウェアラブルデバイスです。

お買い上げ日: _____
製造番号: _____

お客様により良いサポート、サービスをご提供するために、
ユーザー登録をお願いいたします。ご登録は無料です。
https://account.asus.com/product_reg.aspx

本マニュアルについて

本マニュアルでは、製品の使用方法、接続方法、各種機能の設定方法について説明をしています。お客様に本製品を末永くご愛用いただくためにも、ご使用前にこのユーザーマニュアルを必ずお読みください。

Chapter 1: 製品概要

本製品の各部位および付属品について

Chapter 2: セットアップ

本製品の使用方法および機能について

付録

本製品の規格や海外の法令の適合について



ご使用前にこのユーザーマニュアルを必ずお読みください。各言語のマニュアルは、サポートサイトよりダウンロードいただけます。

https://www.asus.com/VivoWatch/ASUS-VivoWatch-SP-HC-A05/HelpDesk_Manual/

マニュアルの表記

本書には、製品を安全にお使いいただき、お客様や他の人々への危害や財産への損害を未然に防止していただくために、守っていただきたい事項が記載されています。内容をよくご理解いただいた上で本文をお読みください。



製品を使いやすくするための情報や補足の説明を記載しています。



ハードウェアの損傷やデータの損失の可能性があることを示し、その危険を回避するための方法を説明しています。

表記

太字 = 選択するメニューや項目を表示します。

- 本書に記載している画面は一例です。画面の背景、画面デザイン、表示される項目名、アイコンなどの種類や位置などが実際の画面と異なる場合があります。
- 本書は、本書作成時のソフトウェアおよびハードウェアの情報に基づき作成されています。ソフトウェアのバージョンアップなどにより、記載内容とソフトウェアに搭載されている機能および名称が異なる場合があります。また、本書の内容は、将来予告なく変更することがあります。

安全上のご注意

- 本製品は防水設計です。屋外で悪天候下（大雨、台風など）、極端に湿度の高い場所でのご使用はお避けください。万が一水に濡れた場合は、すみやかに乾いた柔らかい布で水分を拭き取ってください。
- ご自身で修理、分解、改造をしないでください。故障の原因になる上に、感電、火災の危険があります。また、分解した部品による特に小さなお子様の誤飲の危険があります。絶対にしないでください。
- 湿度変化の激しい場所（クーラーや暖房機のそばなど）に置かないでください。本製品の内部に結露が発生し、火災、感電、故障の原因となります。
- 本製品を医療機器や高い安全性が要求される用途では使用しないでください。人が死亡するまたは重傷を負う可能性があり、社会的に大きな混乱が発生する恐れがあります。
- 周辺温度5～40℃以外では使用しないでください。火災の原因となります。また、保管する場合は、周辺温度-20～45℃の範囲内で保管してください。
- 体質によっては、装飾品や時計等に含まれる特定の金属に長時間接触することにより、炎症等の症状が現れる場合があります。これはアレルギー反応や環境、また石鹸や汗等の刺激に起因する場合もあります。
- アレルギー体質または過敏な体質である方は、装着物への接触に起因する炎症を起こす可能性が高くなる傾向があります。
- お肌が敏感な方は、本製品を装着する際は十分ご留意ください。
- 本製品をより密着した状態で使用すると、炎症を起こす可能性もより高くなります。
- 本製品を使用する際は、皮膚の呼吸を妨げないよう、定期的に取り外してください。

- 本製品の本体とバンドは常に清潔さに保つようご留意ください。
- 本製品の使用において、密着した部位や周囲の皮膚に赤みや腫れ、痒み等の炎症が生じた場合は、直ちに本製品の使用を停止し、医師にご相談ください。
- 症状が軽減した後でも、使用を再開した場合、炎症が再発する場合があります。
- 運動は体調に合わせて実施してください。気分が悪くなるなど体調変化を感じたときは、すみやかに医師にご相談ください。
- 破損した充電クリップを使用しないでください。故障、火災の原因となります。
- 充電クリップに埃などの異物が付着した状態で使用しないでください。火災の原因となります。
- 充電クリップ内部に異物や水などの液体が入ったときは、そのまま使用しないでください。感電、火災の原因となります。
- 本製品は、お客様の責任でご使用ください。お客様本人および第三者のいかなる損害に対しても、弊社はその責任を負いかねます。



- 本製品は医療機器ではありません。医療行為、研究、実験、また精度を要する業務・専門的な計測には使用できません。
- 本製品で測定された数値は参考値であり、保証値ではありません。
- 測定する環境条件、方法などにより測定値は変動することがあります。
- 本製品の測定結果をもとに、医師の指示なくお薬の投与量等を変更しないでください。お薬は、必ず医師に指示された用法・用量を守って使用してください。

バッテリーに関する注意事項

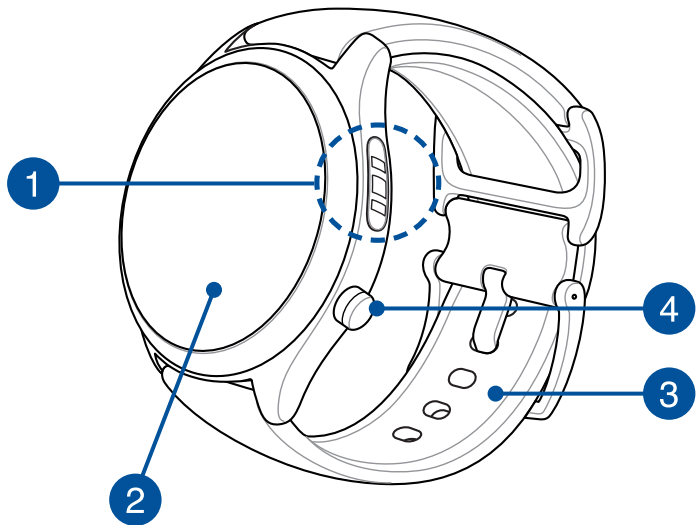
- 本製品に内蔵の充電式電池は、リチウム電池です。不要になったリチウム電池は、お住まいの地域の各自治体の指示に従い適切に処分してください。
- 充電式電池を使用する前に、本書をお読みください。また、お読みいただいた後は大切に保管し、必要なときにお読みください。
- 製品に内蔵されている充電式電池は、お客様ご自身で交換や取り外しをしないでください。(製品廃棄時を除く)
- 直射日光、火のそばなどの高温になる場所や、極端に低い気圧になる場所に置かないでください。爆発、液漏れ、ガス漏れする可能性があります。
- 電子レンジや高圧容器に入れしないでください。急に加熱されたり、密閉状態が壊れたりして、発熱、破裂、発火の原因となります。
- 充電式電池を水に投げたり、湿らせしないでください。
- 充電時、所定の充電時間を超えても充電が完了しない場合は、充電を停止してください。充電式電池が発熱、破裂、発火する原因になる恐れがあります。
- 充電式電池が漏液したり異臭がするときは、直ちに火気より遠ざけてください。漏液した電解液に引火し、破裂、発火する原因となります。
- 充電式電池が漏液して液が目に入ったときは、こすらずに水道水などのきれいな水で十分洗った後、直ちに医師の治療を受けてください。放置すると液により、目に障害を与える原因となります。
- 充電式電池は、絶対に解体しないでください。解体すると金属端子が露出し、ショートの原因となります。

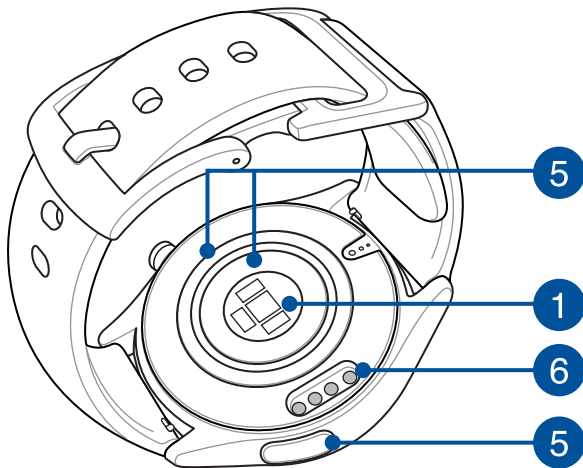
- 充電式電池をショート、加熱、または火の中に入れてください。ショート、加熱、または火の中に入れると、電池が発熱、破裂して、けがや火災の原因となります。
- 一般のごみと一緒に捨てないでください。

1

製品概要

本体各部の名称





- 本製品は、測定機やデジタル時計としてスタンドアロンでもご利用いただけます。
- 測定したデータの集計データや各機能の設定を行うには、専用アプリが必要です。アプリストアからダウンロードしてご利用ください。
- 本製品は、水深50mまでの水圧に耐えることができる5気圧防水に対応しており、装着したまま入浴、シャワー、水泳が可能です。
- 本製品が濡れてしまった場合は、錆や腐食を防止するため必ず本体を真水で丁寧に洗浄し、乾いた布で水分や汚れを綺麗に拭き取ってください。

1 PPG (Photoplethysmogram) センサー

電極と連携して、健康データを測定することができます。このセンサーを使用して心拍数を測定することもできます。

2 タッチディスプレイ

指で画面に直接触れて操作します。

3 バンド

腕の太さ (装着部周囲の長さ) にあわせて、バンドの穴位置を調節します。

4 ホームボタン

画面ロックを解除する、ホーム画面に戻る、エクササイズモードを終了することができます。

電源オフ状態でこのボタンを1秒間押し続けると電源がオンになり、電源オン状態でこのボタンを3秒間押し続けると電源をオフにすることができます。このボタンを10秒間押し続けると、強制的に電源はオフになります。



データの消失を防ぐため、本体の電源を切る前に必ず専用アプリでデータを同期してください。

5 電極

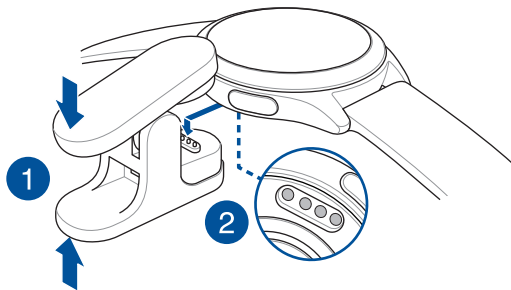
PPGセンサーと連携して心拍数と健康データを測定することができます。

6 充電端子 (入力定格: 5VDC, 0.5A)

本体と付属の充電クリップを接続するための端子です。

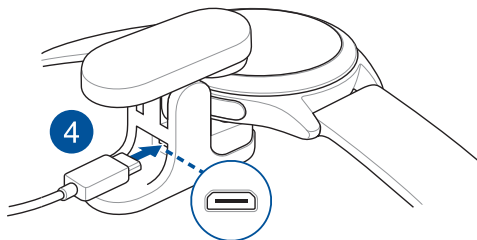
充電する

1. 充電クリップをつまんで開きます。
2. 充電クリップと本体端子の位置があっていることを確認し、本体を充電クリップで挟みます。



- 充電をする前に、本体や充電クリップが濡れていないことを確認してください。水滴が付着している場合には水滴を拭き取り、水分が完全になくなるまで常温で放置して乾燥させたのち、充電を開始してください。濡れた状態で充電すると、感電、発火、発煙等の恐れがあり、大変危険ですので、絶対にしないでください。
- 充電クリップなどの付属品は防塵・防水ではありません。

3. 本体が充電クリップにしっかりと固定されていることを確認します。
4. USBケーブルを充電クリップのUSBポートに接続し、電源アダプターを接続します。



- USBケーブルは正しく接続してください。正しく接続されていないと、機器の故障、火災や感電の原因となることがあります。
- 充電端子をショートさせたり金属部分には触れないでください。
- 低電流デバイスを検出することができないモバイルバッテリーなどでは本製品を充電することはできません。

2

セットアップ

アプリをインストールする

測定データ、アクティビティや運動の集計データ、通知機能、リマインダー機能など、各種設定やデータの同期を行うために専用アプリをインストールします。

1. インターネットに接続されたスマートフォンまたはタブレットを用意します。
2. Google Play ストアまたは App Store を開きます。
3. 「**ASUS Health Connect**」を検索します。



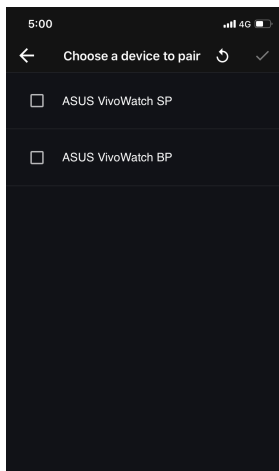
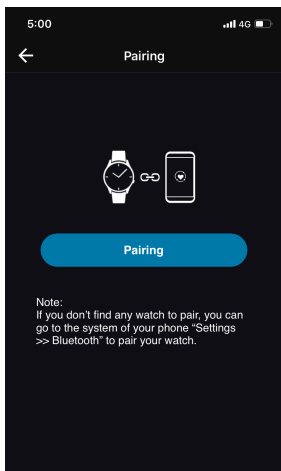
- アプリの利用料は無料ですが、ダウンロードやご利用時にかかるパケット通信料はお客さまのご負担となります。
- ご利用方法によっては通信料が高額になることがありますので、ご利用の際はパケット通信定額サービスをお申込みされていることを強く推奨します。

ペアリングする



- お使いになる機器のBluetooth®機能をオンにしてください。
- ペアリングを行う際は、本機とお使いの機器を3メートル以内に近づけてください。

1. 本機のホームボタンを1秒間押し続けて、電源をオンにします。
2. 「ASUS Health Connect」アプリを起動します。
3. 画面に表示される指示に従い、ペアリングを完了します。

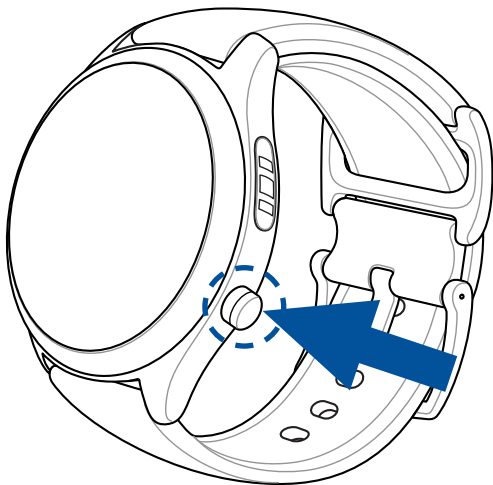


ASUS VivoWatch SPの操作

画面ロックの解除

一定時間操作をしないと自動的にホーム画面に切り替わり画面がロックされます。画面ロック状態では操作を行うことができません。

画面ロックは本体の **ホームボタン** を押すことで解除することができます。



機能を切り替える

タッチディスプレイに触れたまま、左右に指をスライドして機能を切り替えることができます。



ホーム画面に戻す場合は、本機のホームボタンを押してください。

表示する記録や項目を切り替える

タッチディスプレイに触れたまま、上下に指をスライドして表示する記録や項目を切り替えることができます。







搭載機能

本製品は、歩数、運動時間、睡眠などの様々な活動量の計測・記録をすることができ、あなたの健康的な生活をサポートします。

ホーム画面

本体のホーム画面には、時間、日付、バッテリー残量などの情報が表示されます。ホーム画面に表示される内容は選択する盤面によって異なります。

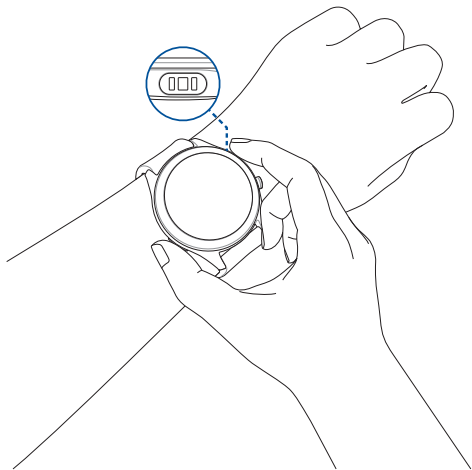


アイコン	説明
	画面ロック中
	バッテリー残量
	接続中
	アラームオン

PTT指数 (PTT Index)

心拍数と健康データを測定することができます。また、本製品ではPTT (Pulse Transit Time: 脈波伝播時間) 指数と血流量の推定値などを使用し、ストレス解消指数をチェックすることができます。

PTT指数を測定するには、本製品を装着しホーム画面で指を右方向にスライドさせ、画面の指示に従い電極とPPGセンサーの上に指を置きます。



測定を開始する前に、本製品を正しく装着していることをご確認ください。正しく取り付けられていない場合、測定精度に影響する場合があります。

正確に測定するために

- 手首の骨茎状突起に掛らない位置で、腕の甲側に装着します。
- 腕に密着するように装着してください。測定などのデータが取得しにくい場合は、バンドを1段階小さいサイズに調整して、再度お試しください。
- バンドはきつく締めすぎないでください。きつく締めすぎると血流が悪くなり脈拍の傾向が計測できない場合があります。



- 測定する環境条件、方法などにより測定値は変動することがあります。PPGセンサー部に汚れなどがある場合は、事前にセンサーの汚れをきれいに拭き取ってください。
- PPGセンサーの点灯中の光を直視しないでください。視力低下や失明の恐れがあります。
- 小さなお様が使用する場合は、必ず保護者の指導監督のもとでご使用してください。
- 本製品は医療機器ではありません。医療行為、研究、実験、また精度を要する業務・専門的な計測には使用できません。
- 本製品で測定された数値は参考値であり、保証値ではありません。
- 測定する環境条件、方法などにより測定値は変動することがあります。
- 電極やPPGセンサー部に汚れなどがある場合は、事前に汚れをきれいに拭き取ってください。

心身バランス (Body Harmony)

心身バランス (バイタリティ指数、リラックス指数) を測定することができます。このデータはあなたの健康状態を把握し、心と体のバランスを改善するのに役立ちます。

心身バランスを測定するには、本製品を装着しホーム画面で指を右方向に2回スライドさせ、画面の指示に従い電極とPPGセンサーの上に指を置きます。



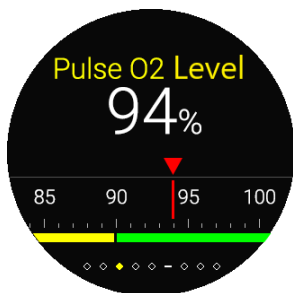
血中酸素飽和度 (Pulse O2 Level)

血中酸素飽和度を測定することができます。このデータはスポーツや登山での体調管理に役立ちます。

血中酸素飽和度を測定するには、本製品を装着しホーム画面で指を右方向に3回スライドさせ、画面の指示に従い電極とPPGセンサーの上に指を置きます。



血中酸素飽和度は、パーセンテージとカラーグラフで表示されます。

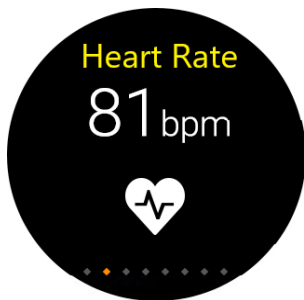


ASUS HealthConnectアプリで測定データを確認する

ASUS HealthConnectアプリでは、測定された血中酸素飽和度の日次データを一覧することができます。

心拍数 (Heart Rate)

PPGセンサーで測定された現在の心拍数が表示されます。




正確に測定するために

- 手首の骨茎状突起に掛らない位置で、腕の甲側に装着します。
- 腕に密着するように装着してください。測定などのデータが取得しにくい場合は、バンドを1段階小さいサイズに調整して、再度お試しください。
- バンドはきつく締めすぎないでください。きつく締めすぎると血流が悪くなり脈拍が計測できない場合があります。
- 外気温や身体の表面温度が低い場合は、温めてから計測を行なってください。

エクササイズ (Exercise)

エクササイズモードでは、心拍数や消費カロリーをリアルタイムで表示したり、運動時間や移動距離、速度などの運動データを測定することができます。


エクササイズモードを実行する

ホーム画面で指を左右いずれかにスライドさせてエクササイズ画面へ移動し、**屋外/屋内**を選択して  をタップします。



エクササイズモードの実行中は、画面を上下にスライドすることで、表示内容を切り替えることができます。

エクササイズモードを終了する

エクササイズモードを終了するには、ホームボタンを押し  をタップします。



設定

本製品の各種設定を変更することができます。



設定	説明
時計	時計機能の日時、時刻表記を設定します。
プロフィール	測定データの基準範囲を策定するために、使用者の性別、身長、誕生年月の情報を設定します。
目標	歩数と消費カロリーの日次目標を設定します。
明るさ	画面の明るさを調節します。暗所で画面が見にくい場合にお試しください。
表示言語	画面の表示言語を変更します。
省電力モード	一定時間操作をしないと画面を非表示にし消費電力を抑える省電力モードの設定をします。
製品情報	ファームウェアバージョン、シリアルナンバーなどのデバイスに関する情報を表示します。また、設定の初期化を行うことができます。

アクティビティ

歩数、消費カロリー、高度計、睡眠時間などの1日のアクティビティ（活動量）データを確認することができます。

アクティビティを表示するには、ホーム画面で指を左方向にスライドします。



画面を上下にスライドすることで、表示内容を切り替えることができます。

通知機能

ペアリングしているスマートフォンに電話着信や通知（プッシュ通知）があると、画面に発信者情報やメッセージのプレビューを表示し、本体が振動して着信を通知します。



日本語

リマインダー

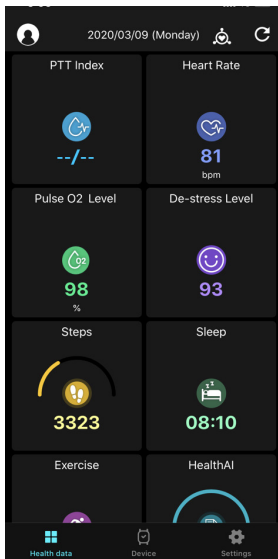
本製品には、お薬を服用する時間をお知らせしたり、一定時間運動や移動が行なわれなかった場合などに画面表示と振動で通知するリマインダー機能が搭載されています。



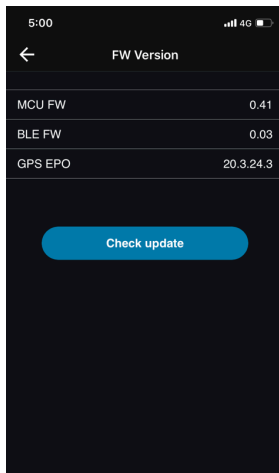
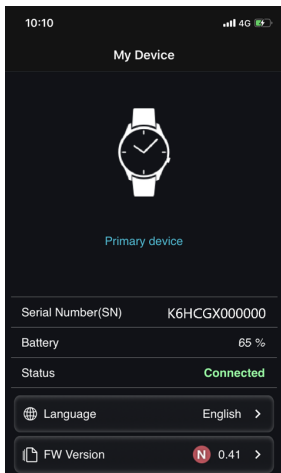
ASUS VivoWatch SPの更新

アプリで更新する

1. 「ASUS HealthConnect」アプリを起動します。
2. 画面下部の**デバイス**をタップします。



3. デバイス画面の **FWバージョン** を選択し、**更新の確認 (Check update)** をタップして、新しいファームウェアが利用可能かどうか確認します。



Pendahuluan

Terima kasih sudah membeli ASUS VivoWatch SP! ASUS VivoWatch SP adalah perangkat dapat dikenakan yang menggunakan teknologi ASUS HealthAI dan sejumlah fungsi kebugaran beserta semua manfaatnya: akurat, pintar, dan ringkas. Silakan isi informasi berikut sebagai rujukan di kemudian hari:

TANGGAL PEMBELIAN: _____

NOMOR SERI: _____

Jeprat kuitansi Anda di sini

Daftarkan produk Anda di https://account.asus.com/product_reg.aspx

Tentang panduan pengguna ini

Panduan ini berisi informasi tentang fitur perangkat keras dan perangkat lunak ASUS VivoWatch SP, yang disusun dalam urutan bab berikut:

Bab 1: Persiapan

Bab ini menjelaskan secara rinci tentang komponen perangkat keras ASUS VivoWatch SP dan menunjukkan cara menggunakan berbagai komponen ASUS VivoWatch SP.

Bab 2: Menggunakan ASUS VivoWatch SP

Bab ini berisi ikhtisar tentang cara menggunakan ASUS VivoWatch SP.

Lampiran

Bagian ini menyertakan pemberitahuan untuk ASUS VivoWatch SP.



Baca semua informasi dalam panduan instruksi maupun literatur lain dalam kotak sebelum mengoperasikan perangkat ini. Untuk melihat panduan lengkap ASUS VivoWatch SP, kunjungi situs web multibahasa di: https://www.asus.com/VivoWatch/ASUS-VivoWatch-SP-HC-A05/HelpDesk_Manual/.

Konvensi yang digunakan dalam panduan pengguna ini

Untuk menegaskan informasi penting dalam panduan pengguna ini, teks tertentu akan ditampilkan sebagai berikut:



Pesan ini mengandung informasi vital yang harus diikuti untuk menyelesaikan tugas.



Pesan ini mengandung informasi tambahan dan tips yang dapat membantu Anda menyelesaikan tugas.



Pesan ini berisi informasi penting yang harus diikuti untuk menjaga Anda agar tetap aman saat menjalankan tugas dan mencegah kerusakan data dan komponen ASUS VivoWatch SP.

Tipografi

Cetak = Menunjukkan menu atau item yang harus dipilih.

Tebal

Cetak = Menunjukkan bagian yang bisa Anda rujuk dalam panduan pengguna ini.
Miring

Tindakan pencegahan keselamatan

- ASUS VivoWatch SP dan dok pengisian daya harus didaur ulang atau dibuang dengan cara yang semestinya.
- Jauhkan semua komponen kecil dari anak-anak.
- ASUS VivoWatch SP hanya boleh digunakan dalam lingkungan dengan suhu selingkung antara 5°C dan 40°C, dan disimpan dalam lingkungan dengan suhu selingkung antara -20°C dan 45°C.
- JANGAN tinggalkan ASUS VivoWatch SP Anda di dalam mobil yang panas. Suhu di dalam mobil yang diparkir di hari yang cerah bisa melebihi suhu selingkung yang direkomendasikan.
- Kulit sebagian pengguna mungkin mengalami imitasi terhadap materi tertentu yang digunakan pada perhiasan, jam tangan, dan benda lainnya yang dikenakan dalam waktu lama. Hal ini dapat disebabkan karena alergi, faktor lingkungan, pemaparan dalam waktu lama terhadap bahan yang menimbulkan iritasi seperti sabun keringat, atau penyebab lainnya.
- Anda mungkin cenderung mengalami iritasi akibat perangkat teknologi pakai jika memiliki alergi atau kepekaan lainnya.
- Jika Anda memiliki kulit sensitif, lakukan tindakan khusus saat mengenakan ASUS VivoWatch SP.
- Anda mungkin cenderung mengalami iritasi akibat ASUS VivoWatch SP jika dikenakan terlalu ketat.
- Lepas ASUS VivoWatch SP secara berkala agar kulit dapat bernapas.
- Menjaga kebersihan dan kekeringan ASUS VivoWatch SP maupun talinya akan mengurangi kemungkinan iritasi kulit.

- Jika Anda mengalami kemerahan, pembengkakan, gatal, atau iritasi maupun ketidaknyamanan lainnya di sekitar atau bawah kulit, lepas ASUS VivoWatch SP, lalu hubungi dokter Anda sebelum kembali mengenyakannya.
- Terus menggunakannya, meskipun setelah gejala reda, dapat mengakibatkan iritasi kembali atau parah.



- *ASUS VivoWatch SP bukan peralatan medis dan tidak memberikan klaim medis. Tidak ditujukan untuk mendiagnosis kondisi kesehatan. Hasil pengukuran hanya sebagai rujukan Anda.*
- *JANGAN sesuaikan pengobatan berdasarkan hasil pengukuran dari ASUS VivoWatch SP. Lakukan pengobatan sesuai dengan resep dokter. Hanya seorang dokter yang berkualifikasi mendiagnosis dan mengobati penyakit.*

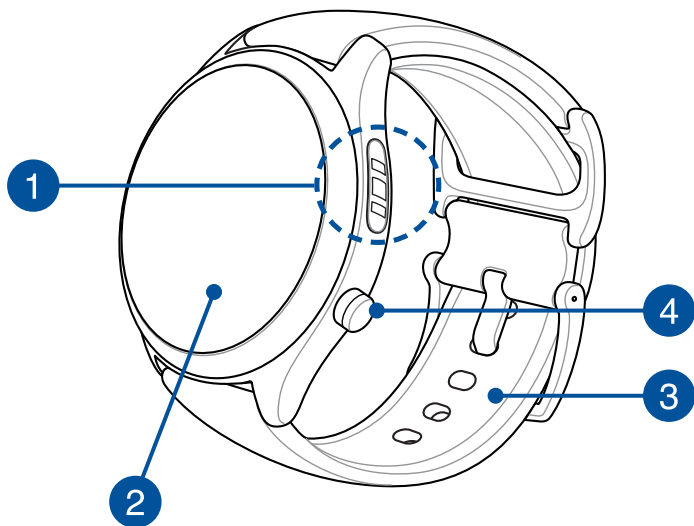
Tindakan pencegahan baterai

- Jangan buang ke dalam api.
- Hindari hubungan arus pendek pada baterai.
- Jangan coba membongkar dan merakit baterai.
- Hentikan penggunaan jika terjadi kebocoran pada baterai.

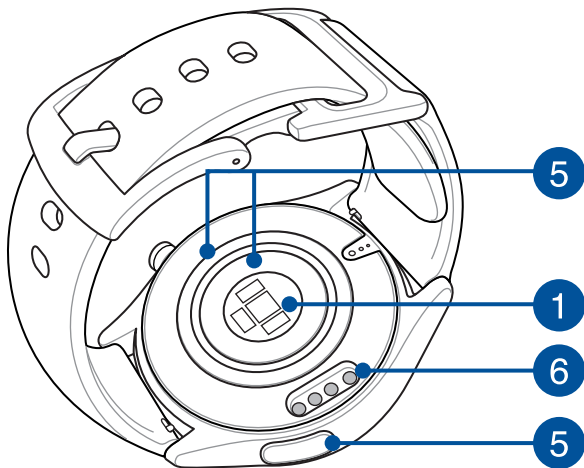
1

Persiapan

Mengenal ASUS VivoWatch SP



- *ASUS VivoWatch SP dapat digunakan sebagai perangkat yang berdiri sendiri untuk pengukuran dan penyesuaian waktu.*
- *Unduh dan instal aplikasi tambahan untuk mendapatkan gambaran lengkap mengenai data kesehatan Anda. Untuk info lebih rinci, lihat bagian Menginstal aplikasi tambahan dalam panduan ini.*



- *ASUS VivoWatch SP dilengkapi fitur tahan air 5 ATM yang mampu menahan tekanan setara kedalaman 50 meter. Cocok untuk menghadapi percikan, hujan, mandi, atau berenang.*
- *JANGAN gunakan ASUS VivoWatch SP dalam cairan yang mengandung bahan kimia atau air asin (misalnya, air laut, air kolam renang, atau sumber air panas) karena dapat merusak soket pengisian daya. Jika ASUS VivoWatch SP Anda bersentuhan dengan cairan-cairan tersebut, pastikan untuk membilas konektor menggunakan air bersih secara saksama dan keringkan dengan kain bersih untuk mencegah korosi.*

1 Sensor PPG (Photoplethysmogram)

Sensor ini bekerja selaras dengan sensor agar Anda bisa mengukur data kesehatan Anda. Sensor ini memungkinkan Anda mengukur detak jantung.



Untuk informasi lebih rinci, lihat bagian Using your ASUS VivoWatch SP (Menaggunakan ASUS VivoWatch SP) dalam panduan ini.

2 Panel tampilan layar sentuh

Gunakan panel tampilan layar sentuh untuk mengoperasikan ASUS VivoWatch SP menggunakan gerakan.



Untuk informasi lebih rinci, lihat bagian Using your ASUS VivoWatch SP (Menaggunakan ASUS VivoWatch SP) dalam panduan ini.

3 Tali

Tali dapat digunakan untuk mengenakan ASUS VivoWatch SP di pergelangan tangan.

4 Tombol Halaman Muka

Tekan tombol ini pada ASUS VivoWatch SP untuk kembali ke layar awal. Anda juga dapat menekan tombol ini untuk membuka kunci ASUS VivoWatch SP atau aktifkan fungsi-fungsi lain.

Tekan lalu tahan tombol ini selama satu (1) detik untuk menghidupkan ASUS VivoWatch SP, atau tekan lalu tahan tombol ini selama (3) detik untuk mematikan ASUS VivoWatch SP Anda. Tekan dan tahan tombol ini selama sepuluh (10) detik jika Anda harus memaksa ASUS VivoWatch SP untuk menyala ulang.



Untuk mencegah kehilangan data, pastikan mengunggah data before sebelum menonaktifkan ASUS VivoWatch SP.

5 Elektroda

Elektroda ini bekerja selaras dengan sensor PPG agar Anda bisa mengukur detak jantung dan data kesehatan Anda.



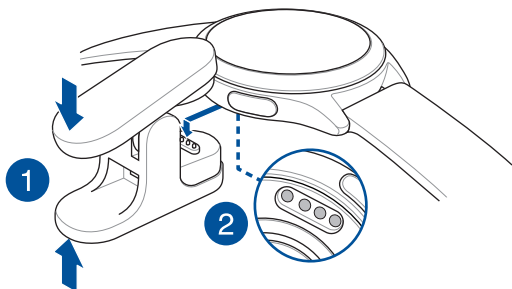
Untuk informasi lebih rinci, lihat bagian Using your ASUS VivoWatch SP (Menaggunakan ASUS VivoWatch SP) dalam panduan ini.

6 Soket pengisian daya (Input: 5Vdc, 0,5A)

Sejajarkan, lalu sambungkan konektor pengisian daya ke konektor pengisian daya pada klip pengisian daya Anda untuk mengisi daya baterai ASUS VivoWatch SP.

Mengisi daya ASUS VivoWatch SP

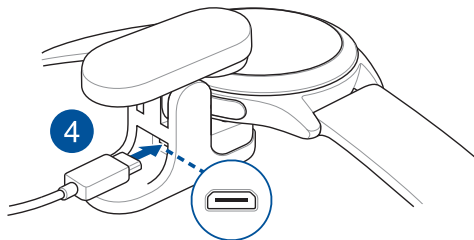
1. Buka klip pengisian daya.
2. Sejajarkan dan tempatkan konektor pengisian daya di belakang ASUS VivoWatch SP Anda ke konektor pengisian daya di klip pengisian daya.



Sebelum menghubungkan klip pengisian daya ke ASUS VivoWatch SP Anda, pastikan konektor pengisian daya dan bagian bawah ASUS VivoWatch SP sudah bersih dan kering untuk mencegah korosi dan gangguan fungsi:

- 1. Seka perlahan konektor pengisian daya dengan kain flanel bersih.*
- 2. Seka kering ASUS VivoWatch SP Anda.*

3. Pastikan klip pengisian daya menahan ASUS VivoWatch SP dengan kuat.
4. Sambungkan kabel USB ke klip pengisian daya, lalu sambungkan kabel USB ke sumber daya untuk mulai mengisi daya.



ASUS VivoWatch SP akan secara otomatis hidup setelah daya terisi penuh.



- Menyambungkan kabel USB secara salah dapat mengakibatkan kerusakan parah pada ASUS VivoWatch SP. Kerusakan apa pun yang disebabkan oleh kesalahan penggunaan tidak tercakup dalam jaminan.*
- Hindari hubungan arus pendek pada soket pengisian daya di dudukan.*
- Beberapa power bank tidak dapat mendeteksi perangkat arus rendah, dan karenanya tidak bisa mengisi daya ASUS VivoWatch SP.*

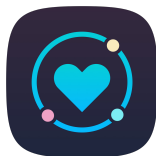
2

Menggunakan ASUS VivoWatch SP

Menginstal aplikasi tambahan

Pasangkan ASUS VivoWatch SP Anda dengan aplikasi tambahan untuk memanfaatkan semua fiturnya, misalnya data aktivitas, pengingat pil, pencatatan jalur, pemberitahuan pesan dan panggilan, dan rekomendasi tidur dan kesehatan.

1. Log in atau daftar ke akun Google atau ID Apple di ponsel.
2. Buka **Play Store** atau **App Store**.
3. Cari **ASUS HealthConnect App**, lalu instal aplikasi tambahan.

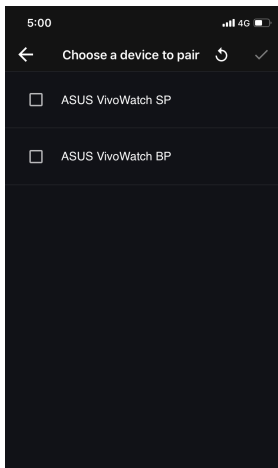
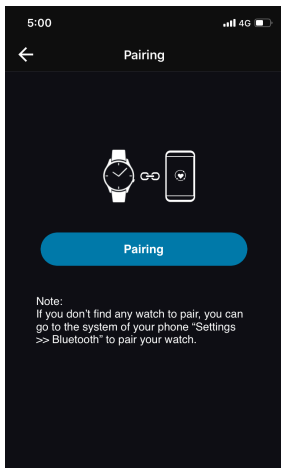


Membuat pasangan untuk pertama kalinya



- Aktifkan Bluetooth ponsel sebelum membuat pasangan.
- Pastikan ASUS VivoWatch SP berada dalam jarak 3 meter dari ponsel.

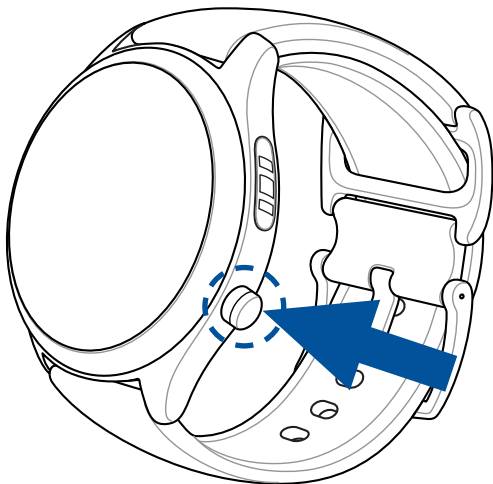
1. Tekan terus **tombol Awal** selama dua (1) detik untuk menghidupkan ASUS VivoWatch BP.
2. Aktifkan **ASUS HealthConnect App**.
3. Ikuti petunjuk di layar pada ponsel Anda dan ASUS VivoWatch SP untuk menyelesaikan proses perpasangan.



Menavigasi ASUS VivoWatch SP

Membuka kunci ASUS VivoWatch SP

Tekan **Home button (Tombol Awal)** untuk membuka kunci ASUS VivoWatch SP. Anda dapat menggulir seluruh fitur ASUS VivoWatch SP setelah kunci terbuka.



Setelah tidak aktif selama beberapa waktu, ASUS VivoWatch SP akan kembali ke layar awal dan terkunci untuk mencegah operasi yang tidak diinginkan.

Menggulir seluruh fitur ASUS VivoWatch SP

Geser ke kiri atau kanan untuk menggulir seluruh fitur ASUS VivoWatch SP.



*Anda dapat menekan **Home button (Tombol Awal)** untuk kembali ke layar AWAL.*

Melihat informasi selengkapnya untuk fitur yang dipilih

Geser ke atas atau ke bawah untuk melihat informasi selengkapnya untuk fitur ASUS VivoWatch SP yang dipilih atau mengubah tampilan jam.



Tidak semua fitur berisi informasi tambahan.

Fitur ASUS VivoWatch SP





ASUS VivoWatch SP menampilkan informasi tentang status aktivitas, waktu olahraga, dan kualitas tidur sehari-hari untuk membantu Anda menjalankan hidup yang lebih sehat.



Layar yang ditampilkan dalam panduan ini hanya sebagai referensi.

Layar awal ASUS VivoWatch SP menampilkan waktu, tanggal, dan status ASUS VivoWatch SP.

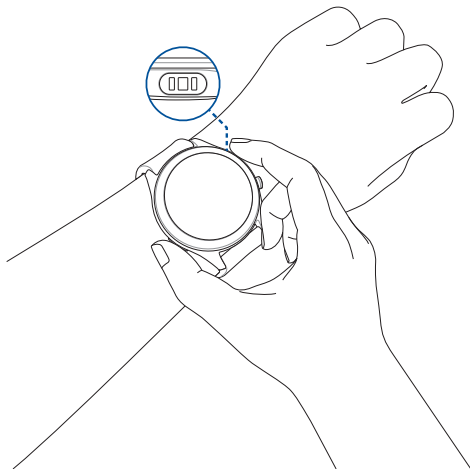


Ikona	Keterangan
	Terkunci
	Level baterai
	Tersambung
	Alarm

Layar indeks PTT

Dengan layar ini Anda dapat mengukur data kesehatan Anda. ASUS VivoWatch SP juga dapat memperkirakan tekanan emosional Anda dengan menggunakan Indeks PTT (Waktu Transit Denyut Nadi).

Geser ke kanan dari **layar Awal** untuk masuk ke **layar indeks PTT**.
Letakkan jempol dan telunjuk Anda di elektrode dan sensor PPG.



ASUS VivoWatch SP Anda menggunakan sensor PPG selaras dengan elektroda sehingga Anda bisa mengambil data kesehatan, dan cara Anda mengenakan ASUS VivoWatch SP dapat mempengaruhi akurasi pengukuran.

Untuk memperoleh hasil lebih akurat:

- Kenakan ASUS VivoWatch SP secara normal dengan jam menghadap ke atas, ASUS VivoWatch SP menyentuh kulit dan jauh dari tulang pergelangan tangan.
- Kenakan ASUS VivoWatch SP dengan nyaman. Jangan kenakan tali ASUS VivoWatch SP terlalu kencang di pergelangan tangan.
- Letakkan jari Anda **secara perlahan** pada elektrode ECG dan tutup sensor PPG ketika mengukur data kesehatan.
- Tetap diam saat melakukan pengukuran untuk mendapatkan hasil paling akurat.



- *Keakuratan sensor PPG dapat berbeda, tergantung pada kondisi dan lingkungan sekitar pengukuran. Jika sensor PPG kotor, bersihkan sensor, lalu coba lagi.*
- *Jangan lihat secara langsung ke sensor PPG, karena lampu sensor dapat merusak penglihatan Anda.*
- *Pastikan anak-anak tidak melihat lampu sensor secara langsung.*
- *ASUS VivoWatch SP bukan peralatan medis dan tidak memberikan klaim medis. Tidak ditujukan untuk mendiagnosis kondisi kesehatan. Hasil pengukuran hanya sebagai rujukan Anda.*

Layar pengukur Keselarasan Tubuh

Dengan layar ini Anda dapat mengukur Keselarasan Tubuh (termasuk indeks Stres dan indeks Rileks). Data Keselarasan Tubuh akan membantu Anda tetap melacak kebugaran Anda, dan akhirnya dapat membantu meningkatkan keseimbangan tubuh dan pikiran Anda.



Layar tingkat O2 Denyut Nadi

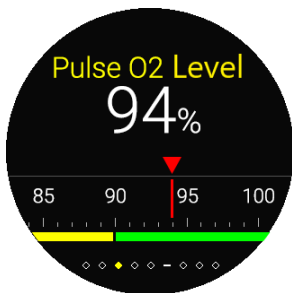
ASUS VivoWatch SP Anda memiliki fitur pergelangan tangan berbasis fungsi level O2. Fitur ini akan membantu Anda mengetahui bagaimana tubuh Anda menyesuaikan diri terhadap dataran tinggi untuk olahraga dan ekspedisi alpine.

Masuk ke mode tingkat O2 Denyut Nadi

Untuk masuk ke mode tingkat O2 Denyut Nadi, sapu ke kiri atau ke kanan layar **Pulse O2 Level (Tingkat O2 Denyut Nadi)**. Kenakan di pergelangan tangan Anda dan letakkan jempol dan telunjuk Anda di elektrode dan sensor PPG. Pastikan ASUS VivoWatch SP Anda dipakai dengan baik di pergelangan tangan, pengukuran akan dimulai otomatis.



Di ASUS VivoWatch SP Anda, indikator tingkat O2 Denyut Nadi Anda ditampilkan dalam persentase dan warna di grafik.

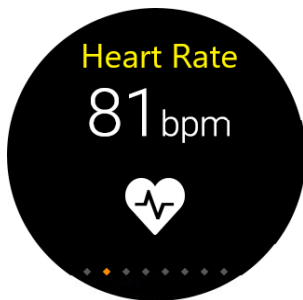


Menggunakan aplikasi ASUS HealthConnect untuk indikator tingkat O2 Denyut Nadi

Di aplikasi ASUS HealthConnect, Anda dapat mengakses detail tambahan tentang indikator tingkat O2 Denyut Nadi Anda, termasuk tren dalam beberapa hari.

Layar detak jantung

Layar menunjukkan detak jantung Anda saat ini. Sensor PPG di ASUS VivoWatch SP menampilkan detak jantung Anda saat ini secara otomatis.




Untuk memperoleh hasil lebih akurat:

1. Kenakan ASUS VivoWatch SP secara normal dengan jam menghadap ke atas, ASUS VivoWatch SP menyentuh kulit dan jauh dari tulang pergelangan tangan.
2. Kenakan ASUS VivoWatch SP dengan nyaman. Jangan kenakan tali ASUS VivoWatch SP terlalu kencang di pergelangan tangan.
3. Anda dapat memperoleh hasil terakurat dari monitor detak jantung setelah melakukan pemanasan.

Layar olahraga

Layar ini memungkinkan Anda melacak sesi olahraga. Ketika menghidupkan mode olahraga, ASUS VivoWatch BIP akan mencatat informasi tentang sesi olahraga saat ini dan menampilkan informasi sebagaimana tercatat.

Memasuki mode olahraga


Untuk masuk ke mode olahraga, sapukan jari ke kiri atau ke kanan menuju layar **Exercise (Olahraga)**, kemudian pilih **Outdoor** atau **Indoor** lalu ketuk  untuk masuk ke mode olahraga.



Dari layar olahraga, geser ke kiri atau kanan untuk melihat informasi seperti detak jantung aktual, waktu olahraga, kalori, langkah, dan jarak dari sesi olahraga aktif.

Menonaktifkan mode olahraga:

Untuk keluar dari mode olahraga, tekan **tombol Awal**, kemudian ketuk

 untuk keluar dari mode olahraga.



Pengaturan

Layar ini memungkinkan Anda mengubah pengaturan secara langsung pada ASUS VivoWatch SP. Geser ke kanan dari layar Awal tiga kali untuk masuk ke **Settings screen (layar Pengaturan)**.

Geser ke atas atau bawah pada **Settings screen (Layar Pengaturan)** untuk melihat pengaturan yang bisa dikonfigurasi sebagaimana tertera di bawah.



Pengaturan	Keterangan
Waktu	Sesuaikan waktu.
Profil	Sesuaikan profil Anda. Masukkan informasi pribadi Anda secara benar untuk data kesehatan yang lebih akurat.
Target	Setel sasaran kalori dan sasaran langkah harian Anda.
Kecerahan	Sesuaikan kecerahan ASUS VivoWatch SP Anda. Efek ini lebih tampak dalam lingkungan yang lebih gelap.
Bahasa	Ubah bahasa perangkat.
Tentang	Lihat informasi selengkapnya mengenai perangkat Anda, seperti versi firmware, nomor seri, mereset perangkat, dll.

Layar aktivitas

ASUS VivoWatch SP akan merekam kegiatan harian Anda secara otomatis dan menampilkannya pada layar ini. Geser ke kiri dari **Home screen (Layar Awal)** untuk masuk ke **Activities screen (Layar Aktivitas)**.

Anda dapat melihat aktivitas harian seperti langkah yang Anda lakukan, kalori yang dibakar, ketinggian lokasi Anda, waktu tidur, dan waktu tidur nyenyak karena semuanya direkam.



Geser ke atas atau bawah untuk melihat aktivitas lain.

Pemberitahuan

Bila menerima panggilan atau pesan di ponsel pasangan, ASUS VivoWatch BIP akan bergetar dan menampilkan nomor telepon pemanggil atau pratinjau pesan.



Pengingat

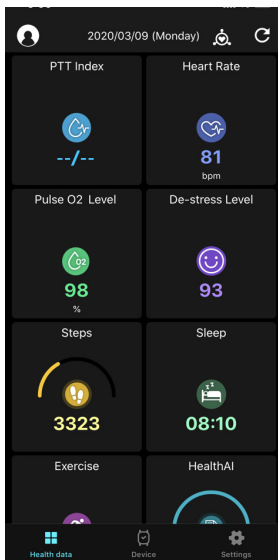
ASUS VivoWatch SP juga akan menampilkan pengingat berjalan dan pil untuk membantu menuju gaya hidup yang lebih sehat.



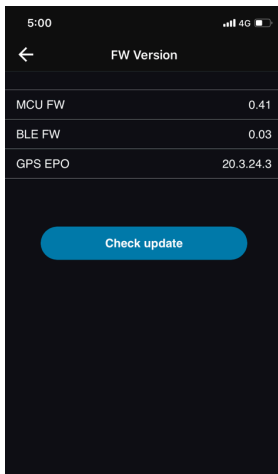
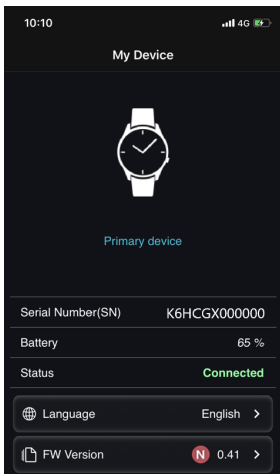
Memperbarui ASUS VivoWatch SP

Memperbarui melalui ASUS HealthConnect App.

1. Aktifkan **ASUS HealthConnect App**.
2. Dari layar Perangkat, ketuk **Device (Perangkat)** di bagian bawah.



3. Di **My Device screen (layar Perangkat Saya)**, pilih **FW Version** dan ketuk **Check update (Periksa pembaruan)** untuk memeriksa apakah versi Anda saat ini sudah yang terbaru.



Pengenalan

Terima kasih kerana membeli ASUS VivoWatch SP! ASUS VivoWatch SP ialah peranti sesuai dipakai yang menampilkan teknologi ASUS HealthAI dan beberapa fungsi kecergasan dengan semua manfaat yang tepat, pintar dan kompak. Sila isikan maklumat berikut untuk rujukan masa hadapan:

TARIKH PEMBELIAN: _____

NOMBOR SIRI: _____

Kokot resit anda di sini

Daftar produk anda di https://account.asus.com/product_reg.aspx

Perihal manual ini

Manual ini menyediakan maklumat mengenai ciri perkakasan dan perisian ASUS VivoWatch SP anda, disusun menerusi bab-bab berikut:

Bab 1: Bermula

Bab ini menghuraikan komponen perkakasan ASUS VivoWatch SP anda dan menunjukkan kepada anda cara menggunakan bahagian berbeza ASUS VivoWatch SP anda.

Bab 2: Menggunakan ASUS VivoWatch SP anda

Bab ini menyediakan gambaran keseluruhan mengenai penggunaan ASUS VivoWatch SP anda.

Lampiran

Bahagian ini termasuk notis untuk ASUS VivoWatch SP anda.



Baca semua maklumat dalam manual arahan dan sebarang maklumat lain dalam kotak sebelum mengendalikan peranti. Untuk mendapatkan versi manual lengkap ASUS VivoWatch SP anda, lawati laman web pelbagai bahasa kami di: https://www.asus.com/VivoWatch/ASUS-VivoWatch-SP-HC-A05/HelpDesk_Manual/.

Kelaziman yang digunakan dalam manual ini

Untuk menyeralahkan maklumat utama dalam manual ini, beberapa teks dipersembahkan seperti berikut:



Mesej ini mengandungi maklumat penting yang mesti diikuti untuk melengkapkan tugas.



Mesej ini mengandungi maklumat tambahan dan petua yang boleh membantu anda melengkapkan tugas.



Mesej ini mengandungi maklumat penting yang mesti diikuti bagi mengekalkan anda selamat semasa melaksanakan tugas dan menghalang kerosakan pada data dan komponen ASUS VivoWatch SP anda.

Tipografi

Gelap = Ini menunjukkan menu atau item yang mesti dipilih.

Italik = Ini menunjukkan bahagian yang anda boleh rujuk dalam panduan pengguna ini.

Langkah-langkah keselamatan

- ASUS VivoWatch SP dan dok pengecasan mesti dikitar semula atau dilupuskan dengan betul.
- Jauhkan sebarang komponen kecil daripada kanak-kanak.
- ASUS VivoWatch SP anda hendaklah hanya digunakan dalam persekitaran dengan suhu sekitar antara 5°C hingga 40°C dan disimpan dalam persekitaran dengan suhu sekitar antara -20°C hingga 45°C.
- JANGAN tinggalkan ASUS VivoWatch SP anda dalam kereta yang panas. Suhu dalam kereta yang diparkir pada hari yang cerah boleh melebihi suhu sekitar yang disyorkan.
- Sesetengah orang mungkin mengalami kerengsaan terhadap bahan tertentu yang digunakan dalam barang kemas, jam dan item lain yang boleh dipakai dan bersentuhan dengan kulit mereka untuk tempoh yang lama. Ini boleh jadi disebabkan oleh alahan, faktor persekitaran, pendedahan berlanjutan terhadap perengsa seperti sabun, peluh atau sebab-sebab lain.
- Anda lebih berkemungkinan untuk mengalami perengsaan daripada sebarang peranti yang boleh dipakai jika anda mempunyai alahan atau sensitiviti lain.
- Jika anda mempunyai sensitiviti kulit yang diketahui, sila ambil langkah lebih berhati-hati semasa memakai ASUS VivoWatch SP anda.
- Anda mungkin lebih berkemungkinan untuk mengalami perengsaan daripada ASUS VivoWatch SP anda jika anda memakainya terlalu ketat.
- Tanggalkan ASUS VivoWatch SP anda secara berkala untuk membolehkan kulit anda bernafas.

- Mengekalkan ASUS VivoWatch SP anda dan talinya dalam keadaan bersih dan kering akan mengurangkan kemungkinan kerengsaan kulit.
- Jika anda mengalami kemerahan, bengkak, kegatalan atau sebarang perengsaan atau ketidakselesaan lain pada sekitar atau di bawah kulit anda, ASUS VivoWatch SP anda, sila tanggalkan ASUS VivoWatch SP anda dan dapatkan nasihat doktor anda sebelum memakainya semula.
- Pemakaian berterusan, walaupun selepas simptom berkurangan, boleh menyebabkan kerengsaan baharu atau bertambah.



- *ASUS VivoWatch SP bukan peranti perubatan dan tidak membuat tuntutan perubatan. Ia bukan bertujuan untuk mendiagnosis keadaan kesihatan. Keputusan pengukuran hanya untuk rujukan anda.*
- *JANGAN ubah ubat berdasarkan keputusan pengukuran daripada ASUS VivoWatch SP. Ambil ubat seperti yang dipreskripsikan oleh doktor anda. Hanya doktor layak untuk mendiagnosis dan merawat penyakit.*

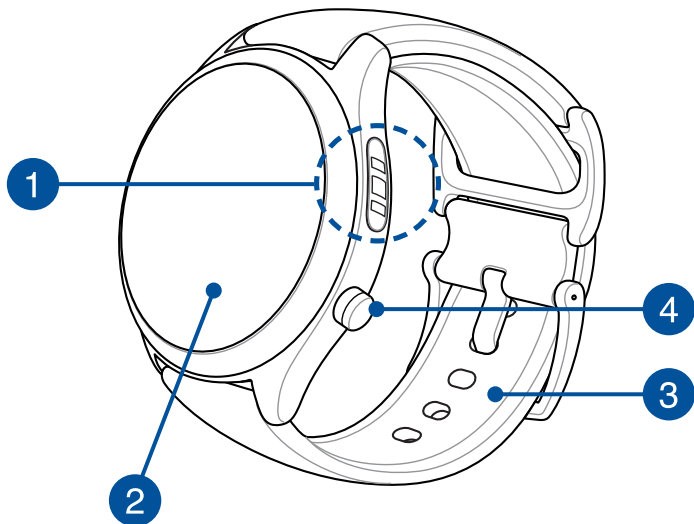
Langkah berjaga-jaga bateri

- Jangan buang dalam api.
- Jangan sesekali cuba untuk melakukan litar pintas pada bateri.
- Jangan sekali-kali menanggalkan dan memasang semula bateri.
- Hentikan penggunaan jika kebocoran ditemui.

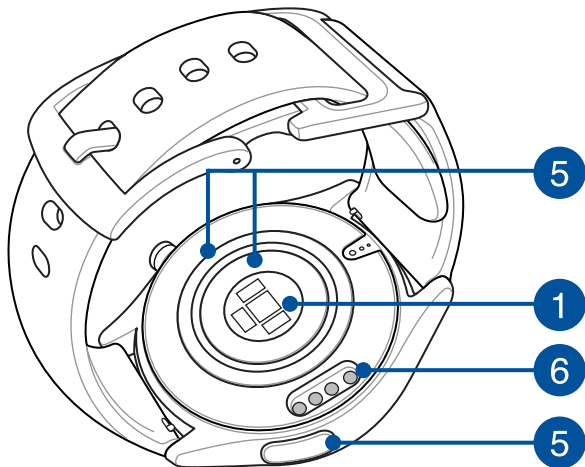
1

Bermula

Mengenali ASUS VivoWatch SP anda



- *ASUS VivoWatch SP anda boleh digunakan sebagai peranti sendiri untuk pelarasan ukuran dan masa.*
- *Muat turun dan pasang aplikasi teman untuk gambaran keseluruhan data kesihatan anda yang lengkap. Untuk butiran lanjut, rujuk bahagian Memasang aplikasi teman dalam manual ini.*



- *ASUS VivoWatch SP menampilkan tahan air 5 ATM yang tahan tekanan bersamaan dengan kedalaman 50 meter. Sesuai untuk percikan air, hujan, hujan sebentar dan berenang.*
- *JANGAN guna ASUS VivoWatch SP anda dalam cecair dengan bahan kimia atau air masin (seperti air laut, kolam renang atau mata air panas) kerana ia boleh merosakkan penyambung pengecasan. Jika ASUS VivoWatch SP anda terkena cecair yang dinyatakan, pastikan penyambung benar-benar dibilas dengan air bersih dan keringkannya dengan kain bersih untuk menghalang kakisan.*

1 Pengesan PPG (Fotopletismogram)

Pengesan ini berfungsi bersama elektrod untuk membolehkan anda mengukur data kesihatan anda. Pengesan ini juga membolehkan anda mengukur kadar denyutan jantung anda.



Untuk butiran lanjut, rujuk bahagian Menggunakan ASUS VivoWatch SP anda dalam manual ini.

2 Panel paparan skrin sentuh

Gunakan panel paparan skrin sentuh untuk mengendalikan ASUS VivoWatch SP anda menggunakan gerak isyarat.



Untuk butiran lanjut, rujuk bahagian Menggunakan ASUS VivoWatch SP anda dalam manual ini.

3 Tali

Tali membolehkan anda memakai ASUS VivoWatch SP anda pada pergelangan tangan anda.

4 Butang laman utama

Tekan butang ini pada ASUS VivoWatch SP anda untuk kembali ke skrin laman utama. Anda juga boleh menekan butang ini untuk membuka kunci ASUS VivoWatch SP anda atau mendayakan fungsi lain.

Tekan dan tahan butang ini selama dua (1) saat untuk menghidupkan ASUS VivoWatch SP anda atau tekan dan tahan butang ini selama tiga (3) saat untuk mematikan ASUS VivoWatch SP anda. Tekan dan tahan butang ini selama sepuluh (10) saat jika anda perlu memaksa memulakan semula ASUS VivoWatch SP.



Untuk menghalang kehilangan data, pastikan anda memuat naik data anda sebelum mematikan kuasa ASUS VivoWatch SP anda.

5 Elektrod

Elektrod ini berfungsi bersama pengesan PPG untuk membolehkan anda mengukur kadar denyutan jantung dan data kesihatan anda.



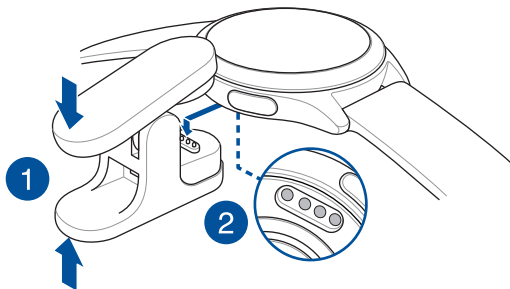
Untuk butiran lanjut, rujuk bahagian Menggunakan ASUS VivoWatch SP anda dalam manual ini.

6 Penyambung pengecasan (Input: 5Vdc, 0.5A)

Selaraskan dan sambungkan penyambung pengecasan ini ke penyambung pengecasan pada klip pengecasan anda untuk mengecap bateri ASUS VivoWatch SP anda.

Mengecas ASUS VivoWatch SP anda

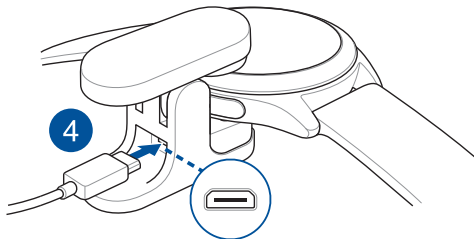
1. Buka klip pengecasan.
2. Selaraskan dan letakkan penyambung pengecasan di bahagian berlawanan ASUS VivoWatch SP anda ke penyambung pengecasan dalam klip pengecasan.



Sebelum menyambungkan klip pengecasan dengan ASUS VivoWatch SP, pastikan penyambung pengecasan dan bahagian bawah ASUS VivoWatch SP adalah bersih dan kering untuk mencegah kakisan dan malfungsi:

- 1. Kesat dengan perlahan penyambung pengecasan dengan flanel yang bersih.*
- 2. Kesat hingga kering ASUS VivoWatch SP anda.*

3. Pastikan klip pengecasan melekap kukuh pada ASUS VivoWatch SP anda.
4. Sambungkan kabel USB ke klip pengecasan, kemudian sambungkan kabel USB ke sumber kuasa untuk memulakan pengecasan.



ASUS VivoWatch SP anda dihidupkan secara automatik apabila dicas sepenuhnya.



- Menyambung kabel USB secara salah boleh menyebabkan kerosakan serius pada ASUS VivoWatch SP. Sebarang kerosakan yang disebabkan oleh penyalahgunaan adalah tidak dilindungi oleh waranti ini.*
- Jangan lakukan litar pintas pada penyambung pengecasan di atas dok.*
- Sesetengah bank kuasa tidak boleh mengesan peranti arus rendah dan seterusnya tidak akan dapat mengecap ASUS VivoWatch SP.*

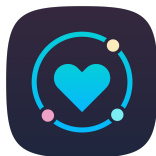
2

Menggunakan ASUS VivoWatch SP anda

Memasang aplikasi teman

Jadikan ASUS VivoWatch SP anda berpasangan dengan aplikasi teman untuk memanfaatkan semua cirinya, seperti data aktiviti, peringatan pil, penjejakan laluan, pemberitahuan mesej dan panggilan serta syor tidur dan kesihatan.

1. Pada telefon anda, log masuk atau daftar akaun Google atau ID Apple.
2. Lancarkan **Play Store** atau **App Store**.
3. Cari **Aplikasi ASUS HealthConnect**, kemudian pasang aplikasi teman.

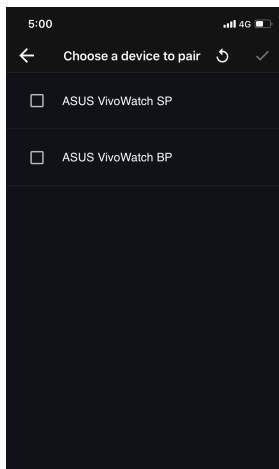
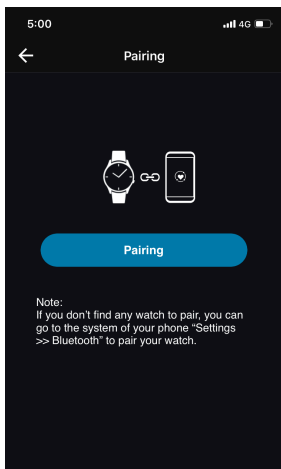


Berpasangan untuk kali pertama



- *Hidupkan Bluetooth telefon anda sebelum berpasangan.*
- *Pastikan bahawa ASUS VivoWatch SP berada dalam jarak tiga meter dari telefon anda.*

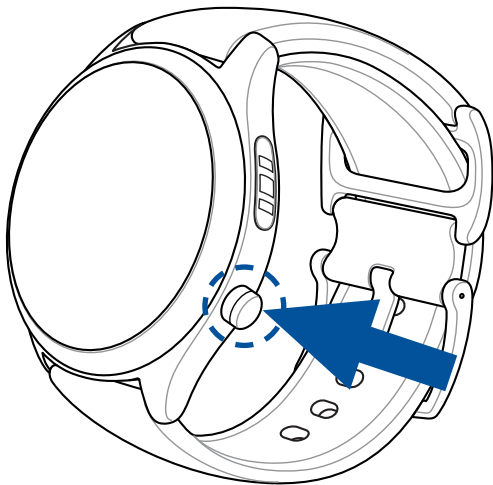
1. Tekan dan tahan **butang Laman utama** selama satu (1) saat untuk menghidupkan ASUS VivoWatch SP anda.
2. Lancarkan **Aplikasi ASUS HealthConnect**.
3. Ikuti arahan pada skrin di telefon anda dan ASUS VivoWatch SP untuk melengkapkan proses berpasangan.



Menavigasi ASUS VivoWatch SP anda

Membuka kunci ASUS VivoWatch SP anda

Tekan **butang Laman Utama** untuk membuka kunci ASUS VivoWatch SP anda. Anda boleh menatal menerusi ciri ASUS VivoWatch SP selepas ia dibuka kunci.



Selepas tempoh tidak aktif, ASUS VivoWatch SP kembali ke skrin laman utama dan dikunci bagi menghalang pengendalian yang tidak dikehendaki.

Menatal menerusi ciri ASUS VivoWatch SP

Leret ke kiri atau ke kanan untuk menatal semua ciri ASUS VivoWatch SP.



*Anda boleh menekan **butang Laman Utama** untuk kembali ke skrin LAMAN UTAMA.*

Melihat maklumat lanjut untuk ciri yang dipilih

Leret ke atas atau ke bawah untuk melihat maklumat lanjut ciri ASUS VivoWatch SP yang dipilih atau mengubah muka jam.



Tidak semua ciri mengandungi maklumat tambahan.

Ciri-ciri ASUS VivoWatch SP

ASUS VivoWatch SP anda menunjukkan maklumat mengenai status aktiviti harian, waktu senaman dan kualiti tidur anda bagi membantu anda menuju ke arah kehidupan yang lebih sihat.



Skrin yang ditunjukkan dalam manual ini adalah untuk rujukan sahaja.

Skrin laman utama

Skrin laman utama ASUS VivoWatch SP memaparkan masa, tarikh dan status ASUS VivoWatch SP anda.

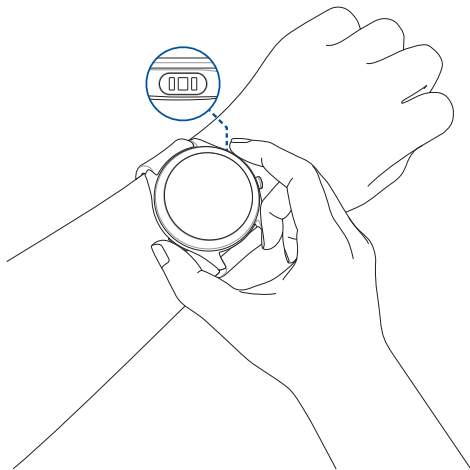


Ikón	Penerangan
	Dikunci
	Paras bateri
	Bersambung
	Penggera

Skrin indeks PTT

Skrin ini membolehkan anda mengukur data kesihatan anda. ASUS VivoWatch SP anda juga boleh mengganggu tekanan emosi anda menggunakan Indeks PTT (Masa Pemindahan Nadi).

Letak ke kanan dari **skrin Laman utama** untuk memasuki **skrin indeks PTT**. Letakkan ibu jari dan jari telunjuk anda pada elektrod dan pengesan PPG.



ASUS VivoWatch SP anda menggunakan pengesan PPG bersama elektrod untuk membolehkan anda mengukur data kesihatan anda dan cara anda memakai ASUS VivoWatch SP anda boleh menjejaskan ketepatan ukuran.

Untuk mendapatkan hasil yang lebih tepat:

- Pakai ASUS VivoWatch SP dengan cara yang biasa dengan muka jam menghadap ke atas, bahagian bawah ASUS VivoWatch SP menyentuh kulit anda dan ASUS VivoWatch SP jauh daripada tulang pergelangan tangan anda.
- Pakai ASUS VivoWatch SP anda dengan cara yang selesa. Jangan ikat ASUS VivoWatch SP terlalu ketat pada pergelangan tangan anda.
- Letakkan jari anda **dengan perlahan-lahan** pada elektrod dan tutup pengesan PPG semasa mengukur data kesihatan anda.
- Jangan bergerak semasa mengukur untuk mendapatkan keputusan yang paling tepat.



- *Ketepatan pengesan PPG mungkin berbeza bergantung pada keadaan dan persekitaran pengukuran. Jika pengesan PPG kotor, bersihkan pengesan dan cuba lagi.*
- *Jangan lihat secara terus ke dalam pengesan PPG, cahaya pengesan boleh merosakkan penglihatan anda.*
- *Sila pastikan kanak-kanak tidak melihat secara terus ke arah cahaya pengesan.*
- *ASUS VivoWatch SP bukan peranti perubatan dan tidak membuat tuntutan perubatan. Ia bukan bertujuan untuk mendiagnosis keadaan kesihatan. Keputusan pengukuran hanya untuk rujukan anda.*

Skrin pengukuran Harmoni Badan

Skrin ini membolehkan anda untuk mengukur Harmoni Badan anda (termasuk indeks Tekanan dan indeks Tenang). Data Harmoni Badan akan membantu anda untuk menjejaki kesejahteraan anda, dan akhirnya, membolehkan anda untuk meningkatkan keseimbangan badan dan minda anda.



Skrin tahap Pulse O2

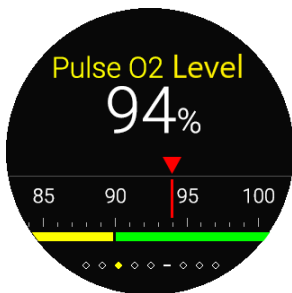
ASUS VivoWatch SP anda menampilkan fungsi tahap Pulse O2 berdasarkan pergelangan tangan. Ini akan membantu anda untuk menentukan cara badan anda menyesuaikan diri dengan altitud yang tinggi untuk sukan dan ekspedisi alpine.

Memasuki mod tahap Pulse O2

Untuk memasuki mod tahap Pulse O2, leret ke kiri atau ke kanan ke skrin yang memaparkan **Tahap Pulse O2**. Sila pakai pada pergelangan tangan anda dan letakkan ibu jari dan jari telunjuk anda pada elektrod dan pegasan PPG. Pastikan ASUS VivoWatch SP anda terletak dengan betul pada pergelangan tangan, ukuran akan dimulakan secara automatik.



Pada ASUS VivoWatch SP anda, bacaan tahap Pulse O2 anda akan dipaparkan sebagai peratus dan warna pada graf.

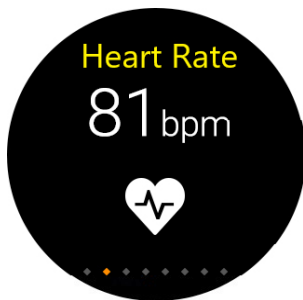


Dengan menggunakan Aplikasi ASUS HealthConnect untuk bacaan tahap Pulse O2

Pada aplikasi ASUS HealthConnect, anda akan mempunyai akses kepada butiran tambahan tentang bacaan tahap Pulse O2 anda, termasuk trend selama berbilang hari.

Skrin kadar denyutan jantung

Skrin ini menunjukkan kadar denyutan jantung semasa anda. Pengesanan PPG pada ASUS VivoWatch SP anda menentukan kadar denyutan jantung semasa anda secara automatik.




Untuk mendapatkan hasil yang lebih tepat:

1. Pakai ASUS VivoWatch SP dengan cara biasa iaitu muka jam menghadap ke atas, bahagian bawah ASUS VivoWatch SP menyentuh kulit anda dan ASUS VivoWatch SP jauh daripada tulang pergelangan tangan anda.
2. Pakai ASUS VivoWatch SP anda dengan cara yang selesa. Jangan ikat ASUS VivoWatch SP terlalu ketat pada pergelangan tangan anda.
3. Anda boleh mendapatkan hasil yang paling tepat daripada monitor kadar denyutan jantung apabila anda memanaskan badan.

Skrin senaman

Skrin ini membolehkan anda mengawasi sesi senaman anda. Apabila anda memulakan mod senaman hidup, ASUS VivoWatch SP anda akan merekodkan maklumat mengenai sesi senaman semasa dan menunjukkan maklumat sebagaimana ia direkodkan.


Memasuki mod senaman

Untuk memasuki mod senaman, leret ke kiri atau ke kanan ke skrin **Senaman**, kemudian pilih **Luar Bangunan** atau **Dalam Bangunan** dan ketik  untuk memasuki mod senaman.



Dari skrin senaman, leret ke atas atau ke bawah untuk melihat maklumat seperti kadar denyutan jantung masa nyata, masa senaman, kalori, langkah dan jarak untuk sesi senaman semasa.

Keluar mod senaman

Untuk keluar mod senaman, tekan **butang Laman utama**, kemudian ketik  untuk keluar mod senaman.



Tetapan

Skrin ini membolehkan anda mengubah tetapan secara terus pada ASUS VivoWatch SP anda. Leret ke kiri dari skrin Laman utama tiga kali untuk memasuki **skrin Tetapan**.

Leret ke atas atau ke bawah pada **skrin Tetapan** untuk melihat tetapan boleh dikonfigurasi yang disenaraikan di bawah.



Tetapan	Penerangan
Masa	Laraskan masa.
Profil	Laraskan profil anda. Masukkan maklumat peribadi anda dengan betul untuk data kesihatan yang lebih tepat.
Sasaran	Tetapkan matlamat kalori harian dan matlamat langkah anda.
Kecerahan	Laraskan kecerahan ASUS VivoWatch SP anda. Kesan ini lebih ketara dalam persekitaran yang lebih gelap.
Bahasa	Ubah bahasa peranti.
Perihal	Lihat maklumat lanjut tentang peranti anda, seperti versi perisian tegar, nombor siri, tetap semula peranti, dsb.

Skrin aktiviti

ASUS VivoWatch SP anda akan merekodkan aktiviti harian anda secara automatik dan memaparkannya pada skrin ini. Leret ke kiri dari **skrin Laman Utama** untuk memasuki **skrin Aktiviti**.

Anda boleh melihat aktiviti harian anda seperti langkah yang anda telah ambil, kalori yang anda telah bakar, altitud di tempat anda berada, masa tidur anda dan masa tidur selesa anda sebagaimana ia dirakam.



Leret ke atas atau ke bawah untuk melihat aktiviti lain.

Pemberitahuan

Apabila anda menerima panggilan atau mesej pada telefon berpasangan anda, ASUS VivoWatch SP anda akan bergetar dan menunjukkan nombor telefon pemanggil atau pratonton mesej kepada anda.



Peringatan

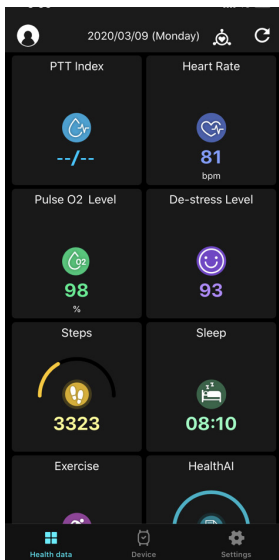
ASUS VivoWatch SP anda juga akan menunjukkan peringatan berjalan kaki dan pil kepada anda bagi membantu anda ke arah gaya hidup yang lebih sihat.



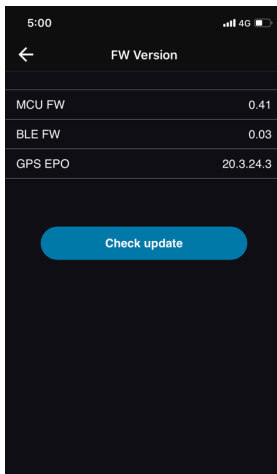
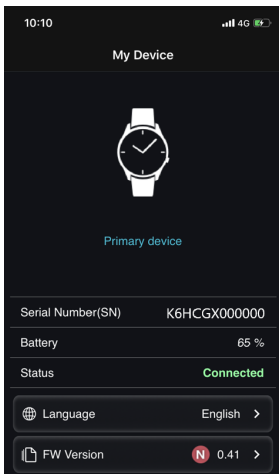
Mengemas kini ASUS VivoWatch SP anda

Mengemas kini menerusi Aplikasi ASUS HealthConnect

1. Lancarkan **Aplikasi ASUS HealthConnect**.
2. Dari Hari Ini, ketik **Peranti** di sebelah bawah.



3. Pada **Skrin Peranti Saya**, pilih **Versi FW** dan ketik **Periksa kemas kini** untuk menyemak sama ada versi semasa adalah terkini.



บทนำ

ขอขอบคุณที่ท่านซื้อ ASUS VivoWatch SP! ASUS VivoWatch SP! เป็นอุปกรณ์แบบสวมใส่ได้ที่ใช้เทคโนโลยี ASUS HealthAI พร้อมฟังก์ชันด้านการออกกำลังกายหลายอย่าง โดยมีคุณสมบัติครบถ้วนทั้งในเรื่องของความแม่นยำ ความเป็นอัจฉริยะ และเล็กกะทัดรัด
โปรดกรอกข้อมูลต่อไปนี้ไว้สำหรับการอ้างอิงในอนาคต:

วันที่ซื้อ: _____

หมายเลขซีเรียล: _____

ยืนยันใบเสร็จรับเงินของคุณไว้ที่นี่

ลงทะเบียนผลิตภัณฑ์ของคุณที่

https://account.asus.com/product_reg.aspx

เกี่ยวกับคู่มือฉบับนี้

คู่มือนี้ให้ข้อมูลเกี่ยวกับคุณสมบัติของฮาร์ดแวร์และซอฟต์แวร์ของ ASUS VivoWatch SP ของคุณ ซึ่งจัดเรียงเนื้อหาเป็นบทต่าง ๆ ดังนี้:

บทที่ 1: เริ่มต้นการใช้งาน

บทนี้แสดงรายละเอียดส่วนประกอบฮาร์ดแวร์ต่าง ๆ ของ ASUS VivoWatch SP และแสดงถึงวิธีใช้ส่วนต่าง ๆ ของ ASUS VivoWatch SP ของคุณ

บทที่ 2: การใช้ ASUS VivoWatch SP ของคุณ

บทนี้ให้ภาพรวมเกี่ยวกับการใช้ ASUS VivoWatch SP ของคุณ

ภาคผนวก

ส่วนนี้ครอบคลุมข้อมูลเกี่ยวกับประกาศสำหรับ ASUS VivoWatch SP ของคุณ



อ่านข้อมูลทั้งหมดในคู่มือคำแนะนำ และเอกสารอื่น ๆ ในกล่องก่อนใช้งานอุปกรณ์ สำหรับคู่มือเวอร์ชันเต็มของ ASUS VivoWatch SP โปรดไปที่เว็บไซต์หลายภาษาของเราที่: https://www.asus.com/VivoWatch/ASUS-VivoWatch-SP-HC-A05/HelpDesk_Manual/.

ข้อกำหนดที่ใช้ในคู่มือนี้

เพื่อเน้นข้อมูลสำคัญในคู่มือนี้ บางข้อความจะถูกนำเสนอดังนี้:



ข้อความนี้ประกอบด้วยข้อมูลสำคัญที่คุณต้องทำตาม เพื่อทำงานให้สมบูรณ์



ข้อความนี้ประกอบด้วยข้อมูลเพิ่มเติม และเทคนิคต่างๆ ที่สามารถช่วยให้ทำงานสมบูรณ์



ข้อความนี้ประกอบด้วยข้อมูลสำคัญที่คุณต้องปฏิบัติตาม เพื่อให้คุณปลอดภัยในขณะที่ทำงาน และป้องกันความเสียหายต่อข้อมูลและชิ้นส่วนต่างๆ ของ ASUS VivoWatch SP ของคุณ

การใช้ตัวพิมพ์

ตัวหนา = ระบุถึงเมนู หรือรายการที่สามารถถูกเลือกได้

ตัวเอียง = ระบุถึงส่วนต่างๆ ที่คุณสามารถเปิดดูได้ในคู่มือผู้ใช้

ข้อควรระวังเพื่อความปลอดภัย

- ASUS VivoWatch SP และแท่นชาร์จต้องนำไปรีไซเคิลหรือทิ้งอย่างเหมาะสม
- เก็บชิ้นส่วนขนาดเล็กให้ห่างจากเด็ก ๆ
- ควรใช้ ASUS VivoWatch SP เฉพาะในสภาพแวดล้อมที่มีอุณหภูมิแวดล้อมอยู่ระหว่าง 5°C ถึง 40°C และเก็บในสภาพแวดล้อมที่มีอุณหภูมิแวดล้อมอยู่ระหว่าง -20°C ถึง 45°C
- อย่าทิ้ง ASUS VivoWatch SP ไว้ในรถยนต์ที่ร้อน อุณหภูมิในรถที่จอดไว้ในวันที่มีแดดจัด สามารถขึ้นไปสูงเกินอุณหภูมิแวดล้อมที่แนะนำ
- บางคนอาจจะคายเคืองต่อวัสดุบางชนิดที่ใช้ในเครื่องประดับ นาฬิกา และอุปกรณ์สวมใส่อื่น ๆ ที่ต้องสัมผัสกับผิวหนังเป็นเวลานาน ๆ อาการนี้อาจเกิดขึ้นเนื่องจากการแพ้ บั๊จจัยของสิ่งแวดล้อม การสัมผัสถูกสารกระตุ้นเป็นเวลานาน ๆ เช่น สบู่ เหงื่อ หรือสาเหตุอื่น ๆ
- คุณอาจมีการระคายเคืองจากอุปกรณ์สวมใส่ได้ง่ายขึ้น หากคุณมีอาการแพ้ง่าย หรือผิวหนังมีความไว
- ถ้าคุณทราบถึงอาการผิวหนังแพ้ โปรดใช้ความระมัดระวังเป็นพิเศษเมื่อคุณสวม ASUS VivoWatch SP
- คุณอาจมีการระคายเคืองจาก ASUS VivoWatch SP ย่างขึ้นหากคุณสวมแน่นเกินไป
- ถอด ASUS VivoWatch SP ออกเป็นระยะ ๆ เพื่อให้ผิวหนังได้หายใจบ้าง
- การรักษาให้ ASUS VivoWatch SP และสายรัดสะอาดและแห้งอยู่ตลอดเวลา จะช่วยลดโอกาสของการเกิดการระคายเคืองต่อผิวหนังได้

- ถ้าคุณเป็นผื่นแดง บวม คัน หรือมีอาการระคายเคืองอื่น ๆ หรือรู้สึกไม่สบาย ผิวหนังรอบ ๆ หรือข้างใต้บริเวณที่ใส่ ASUS VivoWatch SP โปรดถอด ASUS VivoWatch SP ออก และปรึกษาแพทย์ก่อนที่จะกลับมาสวมใหม่
- การใช้อย่างต่อเนื่อง แม้หลังจากที่อาการบรรเทาลง อาจทำให้การระคายเคืองกลับมาเป็นใหม่ หรือมีอาการเพิ่มขึ้นได้



- *ASUS VivoWatch SP ไม่ใช่อุปกรณ์ทางการแพทย์ และไม่มีผลในการรักษาทางการแพทย์ อุปกรณ์นี้ไม่ได้มีวัตถุประสงค์เพื่อวินิจฉัยเงื่อนไขของสุขภาพ ผลการวัดใช้สำหรับเป็นข้อมูลอ้างอิงเท่านั้น*
- *อย่าปรับปริมาณยาตามผลการวัดจาก ASUS VivoWatch SP ใช้ยาตามที่แพทย์ของคุณกำหนด เฉพาะแพทย์เท่านั้นที่มีคุณสมบัติในการวินิจฉัย และรักษาโรค*

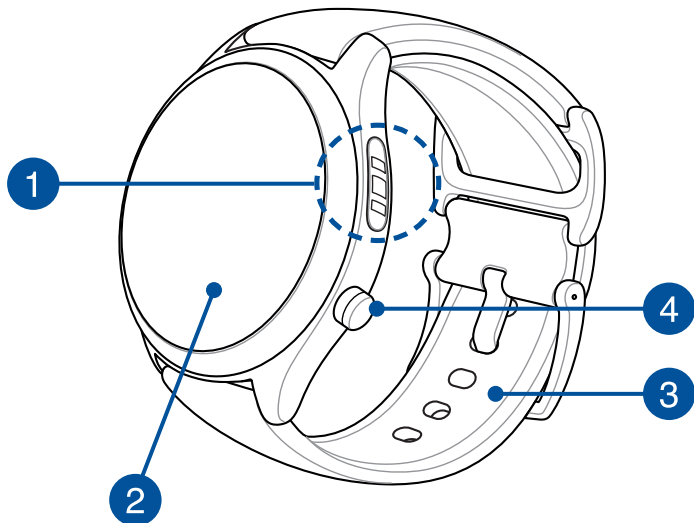
ข้อควรระวังเกี่ยวกับแบตเตอรี่

- อย่าทิ้งลงในกองไฟ
- อย่าพยายามลัดวงจรแบตเตอรี่
- อย่าพยายามถอดชิ้นส่วน หรือประกอบแบตเตอรี่ใหม่
- ถ้าพบการรั่ว ให้หยุดการใช้งาน

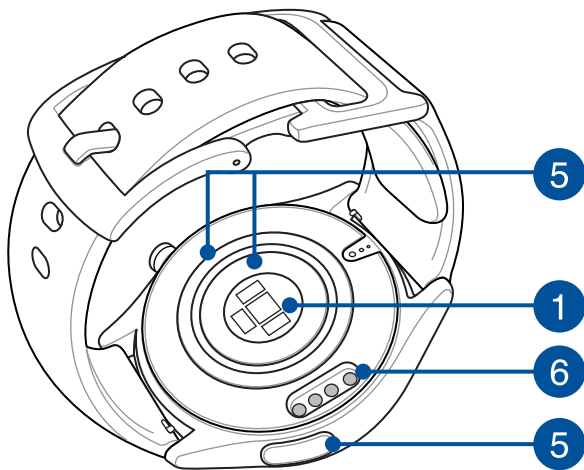
1

เริ่มต้นการใช้งาน

การทำความรู้จัก ASUS VivoWatch SP ของคุณ



- ASUS VivoWatch SP ของคุณสามารถใช้เป็นอุปกรณ์ที่ทำงานตามลำพังสำหรับการวัดและปรับเวลาได้
- ดาวนโหลดและติดตั้งแอปที่ใช้ร่วมกัน เพื่อดูภาพรวมของข้อมูลสุขภาพของคุณ สำหรับรายละเอียดเพิ่มเติม ให้ดูส่วนการติดตั้งแอปที่ใช้ร่วมกัน ในคู่มือฉบับนี้



- ASUS VivoWatch SP มาพร้อมคุณสมบัติป้องกันน้ำระดับ 5 ATM ที่สามารถทนทานต่อแรงดันเทียบเท่าระดับความลึก 50 เมตร เหมาะสำหรับใส่โดยถูกน้ำกระเด็นใส่ ฝน การอาบน้ำ หรือการว่ายน้ำ
- อย่านำ ASUS VivoWatch SP ไปใส่ในของเหลวที่มีสารเคมี หรือน้ำเค็ม (เช่น น้ำทะเล สระว่ายน้ำ หรือน้ำพุร้อน) การทำเช่นนี้อาจทำให้ขั้วต่อสำหรับชาร์จเสียหาย
ถ้า ASUS VivoWatch SP ของคุณสัมผัสกับของเหลวที่กล่าวมา ตรวจสอบให้แน่ใจว่าได้ล้างขั้วต่อต่าง ๆ ให้สะอาดด้วยน้ำสะอาด และเช็ดด้วยผ้าสะอาดเพื่อป้องกันการกัดกร่อน

1 เซนเซอร์ PPG (Photoplethysmogram)

เซนเซอร์นี้ทำงานร่วมกับขั้วไฟฟ้า เพื่ออนุญาตให้คุณวัดข้อมูลสุขภาพของคุณ เซนเซอร์นี้ยังอนุญาตให้คุณวัดอัตราการเต้นของหัวใจด้วย



สำหรับรายละเอียดเพิ่มเติม ให้อ่าน การใช้อุปกรณ์ ASUS VivoWatch SP ของคุณในคู่มือฉบับนี้

2 แผงหน้าจอสัมผัส

ใช้แผงหน้าจอสัมผัสเพื่อสั่งการ ASUS VivoWatch SP ของคุณโดยใช้เจสเจอร์ต่าง ๆ



สำหรับรายละเอียดเพิ่มเติม ให้อ่าน การใช้อุปกรณ์ ASUS VivoWatch SP ของคุณในคู่มือฉบับนี้

3 สายรัด

สายรัด ใช้สำหรับสวม ASUS VivoWatch SP บนข้อมือของคุณ

4

ปุ่มโฮม

กดปุ่มนี้บน ASUS VivoWatch SP เพื่อกลับไปยังหน้าจอโฮม นอกจากนี้คุณยังสามารถกดปุ่มนี้เพื่อปลดล็อค ASUS VivoWatch SP ของคุณ หรือเปิดใช้งานฟังก์ชันอื่น ๆ ก็ได้

กดปุ่มนี้ค้างไว้เป็นเวลาหนึ่ง (1) วินาทีเพื่อเปิดเครื่อง ASUS VivoWatch SP หรือกดปุ่มนี้ค้างไว้เป็นเวลาสาม (3)

วินาทีเพื่อปิดเครื่อง ASUS VivoWatch SP

กดปุ่มนี้ค้างไว้เป็นเวลาสิบ (10) วินาทีหากคุณจำเป็นต้องบังคับรีสตาร์ทเครื่อง ASUS VivoWatch SP



เพื่อป้องกันข้อมูลสูญหาย ให้แน่ใจว่าทำการอัปเดตข้อมูลของคุณก่อนที่จะปิดเครื่อง ASUS VivoWatch SP

5

ขั้วไฟฟ้า

ขั้วไฟฟ้านี้ทำงานร่วมกับเซนเซอร์ PPG เพื่ออนุญาตให้คุณวัดอัตราเต้นของหัวใจ และข้อมูลสุขภาพ



สำหรับรายละเอียดเพิ่มเติม ให้อดูส่วน การใช้ ASUS VivoWatch SP ของคุณในคู่มือฉบับนี้

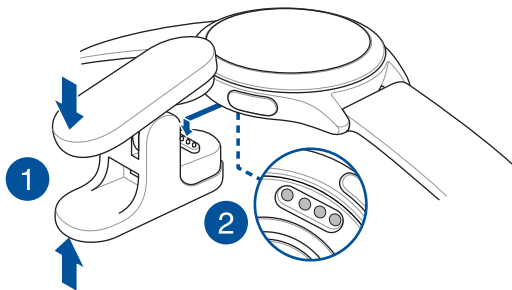
6

ขั้วต่อสำหรับชาร์จ (อินพุต: 5Vdc, 0.5A)

จัดแนวและเชื่อมต่อขั้วต่อสำหรับชาร์จเหล่านี้เข้ากับขั้วต่อสำหรับชาร์จบนคิลิปชาร์จของคุณ เพื่อชาร์จแบตเตอรี่ของ ASUS VivoWatch SP

การชาร์จ ASUS VivoWatch SP ของคุณ

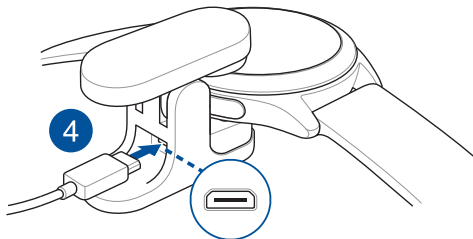
1. เปิดคลิปชาร์จ
2. จัดแนวและวางขั้วชาร์จที่ด้านหลังเครื่อง ASUS VivoWatch SP ของคุณลงบนขั้วต่อสำหรับชาร์จในคลิปชาร์จ



ก่อนที่จะเชื่อมต่อคลิปชาร์จเข้ากับเครื่อง ASUS VivoWatch SP ของคุณ ตรวจสอบให้มั่นใจว่าขั้วชาร์จที่ท้ายเครื่อง ASUS VivoWatch SP นั้นสะอาดและแห้ง เพื่อป้องกันการลัดวงจรและการทำงานผิดปกติ:

1. ใช้ผ้าสีทึบหรือผ้าสะอาดเช็ดขั้วชาร์จเบา ๆ
2. ใช้ผ้าเช็ดแห้งเครื่อง ASUS VivoWatch SP ของคุณให้สะอาด

- ตรวจสอบให้มั่นใจว่าคลิปชาร์จติดเข้ากับเครื่อง ASUS VivoWatch SP แน่นสนิทดี
- เชื่อมต่อสายเคเบิล USB เข้ากับคลิปชาร์จ จากนั้นเชื่อมต่อสายเคเบิล USB เข้ากับแหล่งพลังงาน เพื่อเริ่มการชาร์จ



ASUS VivoWatch SP จะเปิดเครื่องโดยอัตโนมัติเมื่อชาร์จเต็ม



- การเชื่อมต่อสายเคเบิล USB อย่างไม่เหมาะสม อาจทำให้ ASUS VivoWatch SP เกิดความเสียหายอย่างรุนแรง ความเสียหายที่เกิดจากการใช้ไม่ถูกวิธี ไม่ได้รับการคุ้มครองโดยการรับประกัน
- อย่าลัดวงจรขั้วต่อสำหรับชาร์จบนแท่นชาร์จ
- เพาเวอร์แบงก์บางชนิดไม่สามารถตรวจจับอุปกรณ์ที่ใช้กระแสต่ำได้ ดังนั้นจึงไม่สามารถที่จะชาร์จ ASUS VivoWatch SP ได้

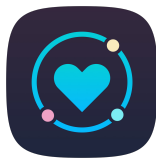
2

การใช้ ASUS VivoWatch SP ของคุณ

การติดตั้งแอปที่ใช้ร่วมกัน

ใช้งาน ASUS VivoWatch SP ร่วมกับแอปที่ใช้ร่วมกัน เพื่อใช้ประโยชน์จากคุณสมบัติทั้งหมดของเครื่องได้อย่างเต็มที่ เช่น ข้อมูลกิจกรรม ตัวเตือนให้ทานยา ตัวติดตามเส้นทาง การแจ้งเตือนข้อความและสายเข้า และคำแนะนำเกี่ยวกับการนอนและสุขภาพ

1. บนโทรศัพท์ของคุณ ล็อกอิน หรือลงชื่อเข้าใช้สำหรับบัญชี Google หรือ Apple ID
2. เปิดใช้งาน **เพลย์สโตร์** หรือ **แอปสโตร์**
3. ค้นหา **แอป ASUS HealthConnect** จากนั้นติดตั้งแอปที่ใช้ร่วมกัน

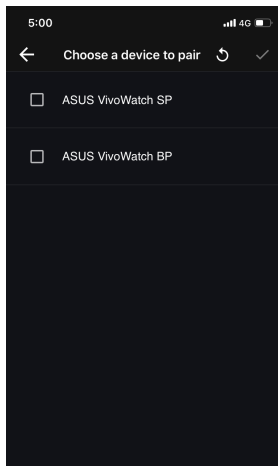
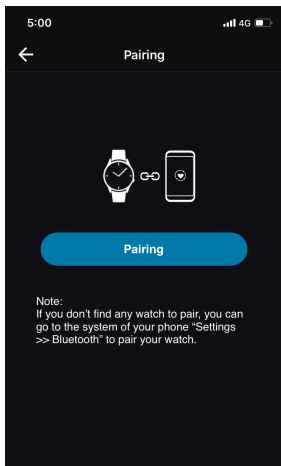


การจับคู่ในครั้งแรก



- เปิดคุณสมบัตินบลูทูธบนโทรศัพท์ของคุณก่อนที่จะจับคู่
- ให้แน่ใจว่า ASUS VivoWatch SP อยู่ภายในระยะสามเมตรจากโทรศัพท์ของคุณ

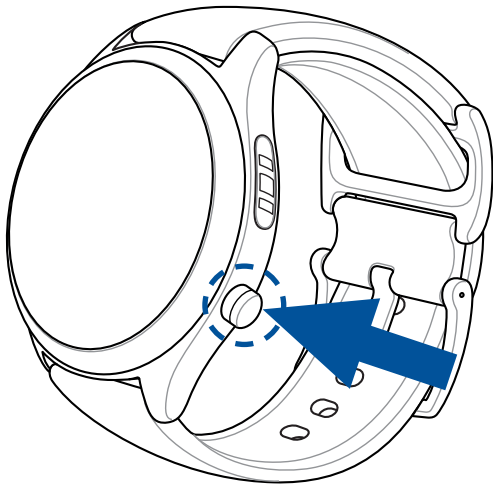
1. กดปุ่มโฮม (Home button) ค้างไว้เป็นเวลาหนึ่ง (1) วินาทีเพื่อเปิดเครื่อง ASUS VivoWatch SP ของคุณ
2. เปิดใช้งาน แอป **ASUS HealthConnect**
3. ปฏิบัติตามขั้นตอนบนหน้าจอบนโทรศัพท์และ ASUS VivoWatch SP เพื่อทำกระบวนการจับคู่ให้สมบูรณ์



การเคลื่อนที่บน ASUS VivoWatch SP ของคุณ

การปลดล็อค ASUS VivoWatch SP ของคุณ

กด ปุ่มโฮม เพื่อปลดล็อค ASUS VivoWatch SP ของคุณ คุณสามารถเลื่อนระหว่างคุณสมบัติ ASUS VivoWatch SP ต่าง ๆ หลังจากที่เครื่องปลดล็อคได้



หลังจากที่ไม่มีกิจกรรมเป็นระยะเวลาหนึ่ง ASUS VivoWatch SP จะกลับไปยังหน้าจอโฮม และถูกล็อค เพื่อป้องกันการดำเนินงานที่ไม่ต้องการ

การเลื่อนผ่านคุณสมบัติต่าง ๆ ของ ASUS VivoWatch SP

ปิดไปทางซ้ายหรือขวา เพื่อเลื่อนผ่านคุณสมบัติต่าง ๆ ของ ASUS VivoWatch SP



คุณสามารถกด ปุ่มโฮม เพื่อกลับไปยังหน้าจอสวม

การดูข้อมูลเพิ่มเติมสำหรับคุณสมบัตินี้

ปัดขึ้นหรือลง เพื่อดูข้อมูลเพิ่มเติมสำหรับคุณสมบัตินี้ของ ASUS VivoWatch SP ที่เลือก หรือเปลี่ยนหน้าปัดนาฬิกา



ไม่ใช่ทุกคุณสมบัตินี้ที่มีข้อมูลเพิ่มเติม

คุณสมบัติต่าง ๆ ของ ASUS VivoWatch SP

ASUS VivoWatch SP แสดงข้อมูลเกี่ยวกับสถานะกิจกรรมประจำวัน เวลาออกกำลังกาย และคุณภาพการนอนหลับของคุณ เพื่อช่วยให้คุณมีชีวิตที่มีสุขภาพดีขึ้น



หน้าจอกี่แสดงในคู่มือนี้ ใช้เพื่อการอ้างอิงเท่านั้น

หน้าจอสวม

หน้าจอสวมของ ASUS VivoWatch SP แสดงเวลา วันที่ และสถานะของ ASUS VivoWatch SP ของคุณ

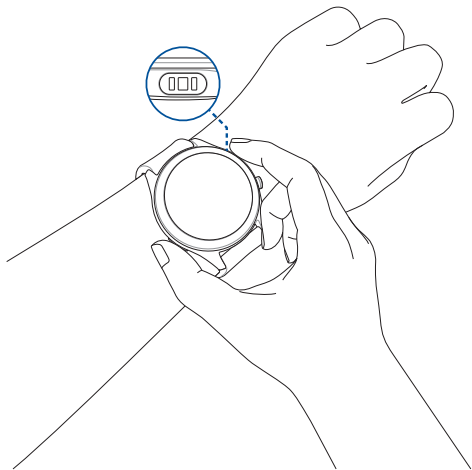


ไอคอน	คำอธิบาย
	ล็อค
	ระดับแบตเตอรี่
	เชื่อมต่อแล้ว
	การปลุก

หน้าจอดัชนี PTT

หน้าจอนี้อนุญาตให้คุณข้อมูลสุขภาพของคุณ นอกจากนี้ ASUS VivoWatch SP ยังสามารถประมาณความเครียดทางอารมณ์ของคุณ โดยใช้ดัชนี PTT (Pulse Transit Time) ได้ด้วย

บิดไปทางขวาจากหน้าจอโฮม เพื่อเข้าสู่ หน้าจอดัชนี PTT (PTT index) วางนิ้วโป้งและนิ้วชี้ของคุณลงบนขั้วไฟฟ้าและเซ็นเซอร์ PPG



ASUS VivoWatch SP ใช้เซนเซอร์ PPG ร่วมกับหัวใจไฟฟ้า เพื่อให้สามารถตรวจจับข้อมูลสุขภาพของคุณ และลักษณะที่คุณสวม ASUS VivoWatch SP สามารถส่งผลกระทบต่อความแม่นยำของการวัดได้

เพื่อให้ได้ผลลัพธ์ที่แม่นยำมากขึ้น:

- สวม ASUS VivoWatch SP ตามปกติ โดยให้หน้าปัดนาฬิกาหงายขึ้น ส่วนล่างของ ASUS VivoWatch SP สัมผัสผิวหนังของคุณ และให้ ASUS VivoWatch SP ห่างจากกระดุกข้อมือของคุณ
- สวม ASUS VivoWatch SP ในลักษณะที่ไม่รู้สึกว่าคุณไม่สบาย อย่ารัด ASUS VivoWatch SP บนข้อมือแน่นเกินไป
- วางนิ้วของคุณลงบนหัวใจไฟฟ้าเบา ๆ โดยให้นิ้วปิดเซนเซอร์ PPG ให้มิดในขณะวัดข้อมูลสุขภาพของคุณ
- อยู่นิ่ง ๆ ในขณะที่วัด เพื่อให้ได้ผลลัพธ์ที่แม่นยำที่สุด



- ความแม่นยำของเซนเซอร์ PPG อาจแตกต่างกันไป ขึ้นอยู่กับเงื่อนไขและสภาพแวดล้อมในการวัด ถ้าเซนเซอร์ PPG สกปรก ให้ทำความสะอาดเซนเซอร์ และลองอีกครั้ง
- อย่ามองเข้าไปในเซนเซอร์ PPG โดยตรง แสงเซนเซอร์อาจทำให้การมองเห็นของคุณแยลงได้
- โปรดมั่นใจว่าเด็ก ๆ จะไม่มองแสงเซนเซอร์โดยตรง
- ASUS VivoWatch SP ไม่ใช่อุปกรณ์ทางการแพทย์ และไม่มีผลในการรักษาทางการแพทย์ อุปกรณ์นี้ไม่ได้มีวัตถุประสงค์เพื่อวินิจฉัยเงื่อนไขของสุขภาพ ผลการวัดใช้สำหรับเป็นข้อมูลอ้างอิงเท่านั้น

หน้าจอรัดความกลมกลืนของร่างกาย

หน้าจอนี้ช่วยให้คุณสามารถวัดกลมกลืนในร่างกายของคุณได้ (ซึ่งประกอบด้วยดัชนีความเครียดและดัชนีความผ่อนคลาย) ข้อมูลความกลมกลืนของร่างกายจะช่วยให้คุณติดตามความเป็นอยู่ที่ดีของตัวเอง และท้ายที่สุดจะช่วยให้คุณสามารถปรับปรุงสมดุลระหว่างร่างกายและจิตใจได้



หน้าจอรระดับ Pulse O2

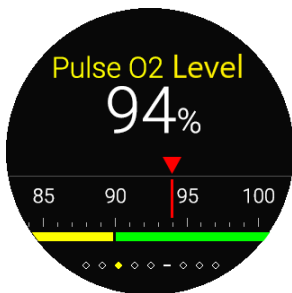
นาฬิกา ASUS VivoWatch SP ของคุณมีฟังก์ชันการวัดระดับออกซิเจนในเลือดโดยวัดจากข้อมือ ซึ่งจะช่วยให้คุณยังสามารถประเมินว่าร่างกายของคุณมีการปรับตัวเข้ากับระดับความสูงได้ดีเพียงใดในการเล่นกีฬาบนที่สูงและการเดินทาง

การเข้าสู่โหมดระดับ Pulse O2

ในการเข้าสู่โหมดระดับ Pulse O2 ให้บิดไปทางซ้ายหรือขวาเพื่อไปยังหน้าจอที่แสดง **Pulse O2 Level (ระดับ Pulse O2)** โปรดสวมใส่อุปกรณ์บนข้อมือของคุณแล้ววางนิ้วหัวแม่มือและนิ้วชี้ลงบนขั้วไฟฟ้าและเซ็นเซอร์ PPG ตรวจสอบให้มั่นใจว่าคุณได้สวม ASUS VivoWatch SP ของคุณไว้บนข้อมือของคุณอย่างถูกต้องแล้ว จากนั้นการวัดจะเริ่มขึ้นโดยอัตโนมัติ



บน ASUS VivoWatch SP ของคุณ การอ่านระดับ Pulse O2 ของคุณจะปรากฏเป็นเปอร์เซ็นต์และกราฟสี

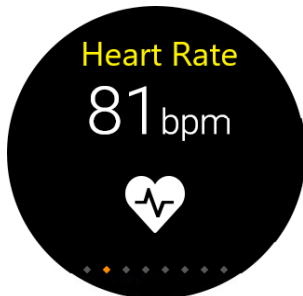


การใช้แอป ASUS HealthConnect สำหรับการอ่านระดับ Pulse O2

ในแอป ASUS HealthConnect คุณสามารถเข้าถึงรายละเอียดเพิ่มเติมเกี่ยวกับการอ่านระดับ Pulse O2 ของคุณ รวมถึงแนวโน้มในช่วงหลายวันที่ผ่านมาได้

หน้าจออัตราการเต้นหัวใจ

หน้าจอนี้แสดงอัตราการเต้นหัวใจปัจจุบัน เช่น เซอร์ PPG บน ASUS VivoWatch SP จะวัดอัตราการเต้นหัวใจปัจจุบันของคุณโดยอัตโนมัติ




เพื่อให้ได้ผลลัพธ์ที่แม่นยำมากขึ้น:

1. สวม ASUS VivoWatch SP ตามปกติ โดยให้หน้าปัดนาฬิกาหงายขึ้น ส่วนล่างของ ASUS VivoWatch SP สัมผัสผิวหนังของคุณ และให้ ASUS VivoWatch SP ห่างจากกระดุกข้อมือของคุณ
2. สวม ASUS VivoWatch SP ในลักษณะที่ไม่รู้สึกราวกับสวมไม่สบาย อย่ารัด ASUS VivoWatch SP บนข้อมือแน่นเกินไป
3. คุณสามารถได้ผลลัพธ์ที่แม่นยำที่สุดจากการตรวจจับอัตราการเต้นของหัวใจเมื่อคุณอยู่นิ่งงาย

หน้าจอกการออกกำลังกาย

หน้าจอนี้อนุญาตให้คุณติดตามเชสชั้นการออกกำลังกายของคุณ เมื่อคุณเริ่ม โหมดออกกำลังกาย ASUS VivoWatch SP ของคุณจะบันทึกข้อมูลเกี่ยวกับ เชสชั้นการออกกำลังกายปัจจุบัน และแสดงข้อมูลตามที่ถูกบันทึกไว้

การเข้าสู่โหมดการออกกำลังกาย

เพื่อเข้าใช้งานโหมดการออกกำลังกาย ให้ปิดหน้าจอ **Exercise (ออกกำลังกาย)** ไปทางซ้ายหรือขวา จากนั้นเลือก **Outdoor (กลางแจ้ง)** หรือ **Indoor (ในร่ม)** แล้วแตะที่  เพื่อเข้าใช้งานโหมดการออกกำลังกาย



จากหน้าจอการออกกำลังกาย ปิดขึ้นหรือลงเพื่อดูข้อมูล เช่น อัตราการเต้นหัวใจแบบเรียลไทม์ เวลาออกกำลังกาย แคลอรี จำนวนก้าว และระยะทางสำหรับเซสชันการออกกำลังกายปัจจุบัน

การออกจากโหมดการออกกำลังกาย

ในการออกจากโหมดการออกกำลังกาย ให้กดปุ่มโฮม (Home button)

จากนั้นแตะที่ 

เพื่อออกจากโหมดการออกกำลังกาย



การตั้งค่า

หน้าจอนี้อนุญาตให้คุณเปลี่ยนแปลงการตั้งค่าบน ASUS VivoWatch SP ของคุณโดยตรง ปัดไปทางขวาจากหน้าจอโฮมสามครั้งเพื่อเข้าสู่หน้าจอการตั้งค่า

ปัดขึ้นหรือลงบน หน้าจอการตั้งค่า เพื่อดูการตั้งค่าที่สามารถกำหนดได้ที่แสดงด้านล่าง



การตั้งค่า	คำอธิบาย
เวลา	ปรับเวลา
โปรไฟล์	ปรับโปรไฟล์ของคุณ ป้องกันข้อมูลส่วนตัวของคุณให้ถูกต้อง เพื่อให้วัดข้อมูลสุขภาพได้อย่างแม่นยำมากขึ้น
เป้าหมาย	ตั้งเป้าหมายแคลอรีและเป้าหมายจำนวนก้าวรายวันของคุณ
ความสว่าง	ปรับความสว่างของ ASUS VivoWatch SP ของคุณ เอฟเฟกต์นี้สังเกตได้ชัดเจนขึ้นในสภาพแวดล้อมที่มีด
ภาษา	เปลี่ยนภาษาของอุปกรณ์
เกี่ยวกับ	ดูข้อมูลเพิ่มเติมเกี่ยวกับอุปกรณ์ของคุณ เช่น เวอร์ชันเฟิร์มแวร์ หมายเลขซีเรียล รีเซ็ตเครื่อง ฯลฯ

หน้าจอกิจกรรม

ASUS VivoWatch SP จะบันทึกกิจกรรมประจำวันของคุณโดยอัตโนมัติ และแสดงข้อมูลเหล่านั้นบนหน้าจอนี้ ปิดไปทางซ้ายจากหน้าจอโฮม เพื่อเข้าสู่หน้าจอกิจกรรม

คุณสามารถดูกิจกรรมประจำวันของคุณ เช่น จำนวนก้าวที่คุณเดิน แคลอรีที่คุณเผาผลาญ ระดับความสูงจากน้ำทะเลในปัจจุบันของคุณ เวลานอนหลับ และเวลานอนหลับที่สบายของคุณตามที่ถูกบันทึกไว้



ปิดขึ้นหรือลงเพื่อดูกิจกรรมอื่น ๆ

การแจ้งเตือน

เมื่อคุณได้รับสายหรือข้อความบนโทรศัพท์ที่จับคู่ของคุณ ASUS VivoWatch SP จะสั่น และแสดงหมายเลขโทรศัพท์ของผู้โทรเข้า หรือ ตัวอย่างของข้อความ



ตัวเตือน

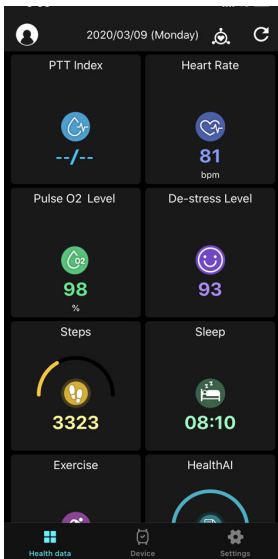
นอกจากนี้ ASUS VivoWatch SP ยังจะแสดงตัวเตือนให้คุณเดินหรือทานยา เพื่อช่วยให้คุณมีชีวิตที่มีสุขภาพดีขึ้นด้วย



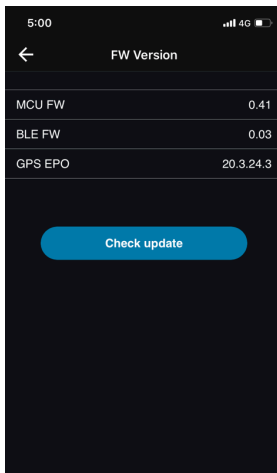
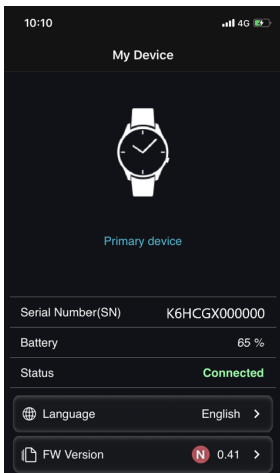
การอัปเดต ASUS VivoWatch SP ของคุณ

การอัปเดตผ่านแอป ASUS HealthConnect

1. เปิดใช้งาน แอป **ASUS HealthConnect**
2. จากหน้าจอ Today (วันนี้) และ **Device** ที่ด้านล่าง



3. ที่หน้าจอ My Device (อุปกรณ์ของฉัน) เลือก FW Version (เวอร์ชันเฟิร์มแวร์) แล้วแตะที่ Check update (ตรวจสอบการอัปเดต) เพื่อตรวจสอบว่าเวอร์ชันที่คุณใช้เป็นเวอร์ชันล่าสุดแล้วหรือไม่



Appendix

Federal Communications Commission Interference Statement

This equipment has been tested and found to comply with the limits for a Class B digital device, pursuant to part 15 of the FCC Rules. These limits are designed to provide reasonable protection against harmful interference in a residential installation. This equipment generates, uses and can radiate radio frequency energy and, if not installed and used in accordance with the instructions, may cause harmful interference to radio communications. However, there is no guarantee that interference will not occur in a particular installation. If this equipment does cause harmful interference to radio or television reception, which can be determined by turning the equipment off and on, the user is encouraged to try to correct the interference by one or more of the following measures:

- Reorient or relocate the receiving antenna.
- Increase the separation between the equipment and receiver.
- Connect the equipment into an outlet on a circuit different from that to which the receiver is connected.
- Consult the dealer or an experienced radio/ TV technician for help.

CAUTION:

Any changes or modifications not expressly approved by the grantee of this device could void the user's authority to operate the equipment.

This device complies with Part 15 of the FCC Rules. Operation is subject to the following two conditions: (1) this device may not cause harmful interference, and (2) this device must accept any interference received, including interference that may cause undesired operation.

RF exposure warning

The equipment complies with FCC RF exposure limits set forth for an uncontrolled environment.

The equipment must not be co-located or operating in conjunction with any other antenna or transmitter.

Compliance Statement of Innovation, Science and Economic Development Canada (ISED)

This device complies with Innovation, Science and Economic Development Canada licence exempt RSS standard(s). Operation is subject to the following two conditions: (1) this device may not cause interference, and (2) this device must accept any interference, including interference that may cause undesired operation of the device.

CAN ICES-3(B)/NMB-3(B)

Déclaration de conformité de Innovation, Sciences et Développement économique Canada (ISED)

Le présent appareil est conforme aux CNR d'Innovation, Sciences et Développement économique Canada applicables aux appareils radio exempts de licence. L'exploitation est autorisée aux deux conditions suivantes : (1) l'appareil ne doit pas produire de brouillage, et (2) l'utilisateur de l'appareil doit accepter tout brouillage radioélectrique subi, même si le brouillage est susceptible d'en compromettre le fonctionnement.

CAN ICES-3(B)/NMB-3(B)

Radio Frequency (RF) Exposure Information

The radiated output power of the Wireless Device is below the Industry Canada (IC) radio frequency exposure limits. The Wireless Device should be used in such a manner such that the potential for human contact during normal operation is minimized.

This device has also been evaluated and shown compliant with the IC RF Exposure limits under portable exposure conditions (antennas are less than 20 cm of a person's body).

Informations concernant l'exposition aux fréquences radio (RF)

La puissance de sortie émise par cet appareil sans fil est inférieure à la limite d'exposition aux fréquences radio d'Industrie Canada (IC). Utilisez l'appareil sans fil de façon à minimiser les contacts humains lors d'un fonctionnement normal.

Cet appareil est conforme aux limites d'exposition aux rayonnements IC établies pour un environnement exposé à des appareils mobiles (les antennes se situant à une distance inférieure à 20 cm du corps de l'utilisateur).

Simplified EU Declaration of Conformity

ASUSTek Computer Inc. hereby declares that this device is in compliance with the essential requirements and other relevant provisions of Directive 2014/53/EU. Full text of EU declaration of conformity is available at <https://www.asus.com/support/>.



The Simplified EU Declaration of Conformity of this device has been updated. This device now complies with Radio Equipment Directive 2014/53/EU, and no longer complies with R&TTE Directive 1999/5/EC.

RED RF Output table

Function	Frequency	Maximum Output Power (EIRP)
Bluetooth	2402 - 2480 MHz	5 dBm

NCC警語：

經型式認證合格之低功率射頻電機，非經許可，公司、商號或使用者均不得擅自變更頻率、加大功率或變更原設計之特性及功能。

低功率射頻電機之使用不得影響飛航安全及干擾合法通信；經發現有干擾現象時，應立即停用，並改善至無干擾時方得繼續使用。

前項合法通信，指依電信法規定作業之無線電通信。低功率射頻電機須忍受合法通信或工業、科學及醫療用電波輻射性電機設備之干擾。

注意！使用過度恐傷害視力：

1. 使用 30 分鐘請休息 10分鐘。
2. 未滿 2 歲幼兒不看螢幕，2 歲以上每天看螢幕不要超過 1 小時。

「產品之限用物質含有情況」之相關資訊，請參考下表。

單元	限用物質及其化學符號					
	鉛 (Pb)	汞 (Hg)	鎘 (Cd)	六價鉻 (Cr ⁺⁶)	多溴聯苯 (PBB)	多溴二苯醚 (PBDE)
印刷電路板及電子組件	—	○	○	○	○	○
外殼	○	○	○	○	○	○
液晶螢幕	—	○	○	○	○	○
錶帶	○	○	○	○	○	○
其他及其配件	—	○	○	○	○	○

○：係指該項限用物質之百分比含量未超出百分比含量基準值。

—：係指該項限用物質為排除項目。

Global Environmental Regulation Compliance and Declaration

ASUS follows the green design concept to design and manufacture our products, and makes sure that each stage of the product life cycle of ASUS product is in line with global environmental regulations. In addition, ASUS disclose the relevant information based on regulation requirements.

Please refer to <http://csr.asus.com/english/Compliance.htm> for information disclosure based on regulation requirements ASUS is complied with:

EU REACH SVHC

ASUS Recycling/Takeback Services

ASUS recycling and takeback programs come from our commitment to the highest standards for protecting our environment. We believe in providing solutions for you to be able to responsibly recycle our products, batteries, other components as well as the packaging materials. Please go to <http://csr.asus.com/english/Takeback.htm> for detailed recycling information in different regions.

Précautions d'emploi de l'appareil

- a. Soyez particulièrement vigilant quant à votre sécurité lors de l'utilisation de cet appareil dans certains lieux (les avions, les aéroports, les hôpitaux, les stations-service et les garages professionnels).
- b. Évitez d'utiliser cet appareil à proximité de dispositifs médicaux implantés lors d'un appel téléphonique. Si vous portez un implant électronique (stimulateurs cardiaques, pompes à insuline, neurostimulateurs...), veuillez impérativement respecter une distance minimale de 15 centimètres entre cet appareil et l'implant pour réduire les risques d'interférence.
- c. Utilisez cet appareil dans de bonnes conditions de réception pour minimiser le niveau de rayonnement. Ce n'est pas toujours le cas dans certaines zones ou situations, notamment les parkings souterrains, les ascenseurs, en train ou en voiture ou tout simplement dans un secteur mal couvert par le réseau.
- d. Tenez cet appareil à distance du ventre des femmes enceintes et du bas-ventre des adolescents.

Proper disposal



Do not throw your ASUS VivoWatch SP in municipal waste. This product has been designed to enable proper reuse of parts and recycling. The symbol of the crossed out wheeled bin indicates that the product (electrical, electronic equipment and mercury-containing button cell battery) should not be placed in municipal waste. Check local regulations for disposal of electronic products.



Do not throw the battery in municipal waste. The symbol of the crossed out wheeled bin indicates that the battery should not be placed in municipal waste.

Rechargeable Battery Recycling Service in North America



For US and Canada customers, you can call 1-800-822-8837 (toll-free) for recycling information of your ASUS products' rechargeable batteries.

Regional notice for Singapore

Complies with
IMDA Standards
DB103778

This ASUS product complies with IMDA Standards.

Regional notice for California



WARNING

Cancer and Reproductive Harm -
www.P65Warnings.ca.gov

Notices for removable batteries

- Risk of explosion if battery is replaced by an incorrect type.
- The battery and its component must be recycled or disposed of properly.

Avis concernant les batteries remplaçables

- La batterie de l'ordinateur portable peut présenter un risque d'incendie ou de brûlure si celle-ci est retirée ou désassemblée.
- La batterie et ses composants doivent être recyclés de façon appropriée.



廢電池請回收

Nordic Lithium Cautions (for lithium-ion batteries)

CAUTION! Danger of explosion if battery is incorrectly replaced. Replace only with the same or equivalent type recommended by the manufacturer. Dispose of used batteries according to the manufacturer's instructions. (English)

ATTENZIONE! Rischio di esplosione della batteria se sostituita in modo errato. Sostituire la batteria con un una di tipo uguale o equivalente consigliata dalla fabbrica. Non disperdere le batterie nell'ambiente. (Italian)

VORSICHT! Explosionsgefahr bei unsachgemäßen Austausch der Batterie. Ersatz nur durch denselben oder einem vom Hersteller empfohlenem ähnlichen Typ. Entsorgung gebrauchter Batterien nach Angaben des Herstellers. (German)

ADVARSEL! Lithiumbatteri - Eksplosionsfare ved fejlagtig håndtering. Udskiftning må kun ske med batteri af samme fabrikat og type. Levér det brugte batteri tilbage til leverandøren. (Danish)

WARNING! Explosionsfara vid felaktigt batteribyte. Använd samma batterityp eller en ekvivalent typ som rekommenderas av apparattillverkaren. Kassera använt batteri enligt fabrikantens instruktion. (Swedish)

VAROITUS! Paristo voi räjähtää, jos se on virheellisesti asennettu. Vaihda paristo ainoastaan laitevalmistajan suosittelemaan tyyppiin. Hävitä käytetty paristo valmistajan ohjeiden mukaisesti. (Finnish)

ATTENTION! Il y a danger d'explosion s'il y a remplacement incorrect de la batterie. Remplacer uniquement avec une batterie du même type ou d'un type équivalent recommandé par le constructeur. Mettre au rebut les batteries usagées conformément aux instructions du fabricant. (French)

ADVARSEL! Eksplosjonsfare ved feilaktig skifte av batteri. Benytt samme batteritype eller en tilsvarende type anbefalt av apparatfabrikanten. Brukte batterier kasseres i henhold til fabrikantens instruksjoner. (Norwegian)

標準品以外の使用は、危険の元になります。交換品を使用する場合、製造者に指定されるものを使って下さい。製造者の指示に従って処理して下さい。

(Japanese)

ВНИМАНИЕ! При замене аккумулятора на аккумулятор иного типа возможно его возгорание. Утилизируйте аккумулятор в соответствии с инструкциями производителя. (Russian)

Manufacturer	ASUSTek COMPUTER INC.
Address	1F., No. 15, Lide Rd., Beitou Dist., Taipei City 112, Taiwan
Authorized Representative in Europe	ASUS COMPUTER GmbH
Address	Harkortstrasse 21-23, 40880 Ratingen, Germany

COPYRIGHT AND WARRANTY INFORMATION

No part of this user guide, including the products and software described in it, may be reproduced, transmitted, transcribed, stored in a retrieval system, or translated into any language in any form or by any means, except documentation kept by the purchaser for backup purposes, without the express written permission of ASUSTeK Computer INC. (“ASUS”).

Product warranty or service will not be extended if: (1) the product is repaired, modified or altered, unless such repair, modification or alteration is authorized in writing by ASUS; or (2) the serial number of the is defaced or missing.

ASUS PROVIDES THIS User guide “AS IS” WITHOUT WARRANTY OF ANY KIND, EITHER EXPRESS OR IMPLIED, INCLUDING BUT NOT LIMITED TO THE IMPLIED WARRANTIES OR CONDITIONS OF MERCHANTABILITY OR FITNESS FOR A PARTICULAR PURPOSE. IN NO EVENT SHALL ASUS, ITS DIRECTORS, OFFICERS, EMPLOYEES OR AGENTS BE LIABLE FOR ANY INDIRECT, SPECIAL, INCIDENTAL, OR CONSEQUENTIAL DAMAGES (INCLUDING DAMAGES FOR LOSS OF PROFITS, LOSS OF BUSINESS, LOSS OF USE OR DATA, INTERRUPTION OF BUSINESS AND THE LIKE), EVEN IF ASUS HAS BEEN ADVISED OF THE POSSIBILITY OF SUCH DAMAGES ARISING FROM ANY DEFECT OR ERROR IN THIS User guide OR PRODUCT.

Products and corporate names appearing in this user guide may or may not be registered trademarks or copyrights of their respective companies, and are used only for identification or explanation and to the owners’ benefit, without intent to infringe.

SPECIFICATIONS AND INFORMATION CONTAINED IN THIS User guide ARE FURNISHED FOR INFORMATIONAL USE ONLY, AND ARE SUBJECT TO CHANGE AT ANY TIME WITHOUT NOTICE, AND SHOULD NOT BE CONSTRUED AS A COMMITMENT BY ASUS. ASUS ASSUMES NO RESPONSIBILITY OR LIABILITY FOR ANY ERRORS OR INACCURACIES THAT MAY APPEAR IN THIS User guide, INCLUDING THE PRODUCTS AND SOFTWARE DESCRIBED IN IT.

Copyright © 2020 ASUSTeK Computer INC. All Rights Reserved.

LIMITATION OF LIABILITY

Circumstances may arise where because of a default on ASUS' part or other liability, you are entitled to recover damages from ASUS. In each such instance, regardless of the basis on which you are entitled to claim damages from ASUS, ASUS is liable for no more than damages for bodily injury (including death) and damage to real property and tangible personal property; or any other actual and direct damages resulted from omission or failure of performing legal duties under this Warranty Statement, up to the listed contract price of each product.

ASUS will only be responsible for or indemnify you for loss, damages or claims based in contract, tort or infringement under this Warranty Statement.

This limit also applies to ASUS' suppliers and its reseller. It is the maximum for which ASUS, its suppliers, and your reseller are collectively responsible.

UNDER NO CIRCUMSTANCES IS ASUS LIABLE FOR ANY OF THE FOLLOWING: (1) THIRD-PARTY CLAIMS AGAINST YOU FOR DAMAGES; (2) LOSS OF, OR DAMAGE TO, YOUR RECORDS OR DATA; OR (3) SPECIAL, INCIDENTAL, OR INDIRECT DAMAGES OR FOR ANY ECONOMIC CONSEQUENTIAL DAMAGES (INCLUDING LOST PROFITS OR SAVINGS), EVEN IF ASUS, ITS SUPPLIERS OR YOUR RESELLER IS INFORMED OF THEIR POSSIBILITY.

SERVICE AND SUPPORT

Visit our multi-language web site at <https://www.asus.com/support/>

