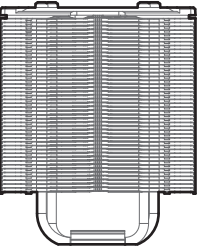
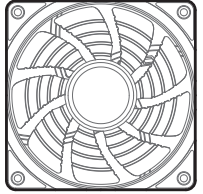
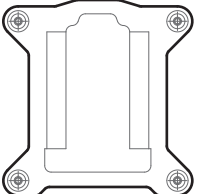

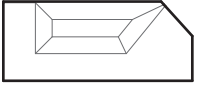

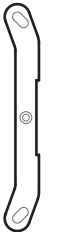
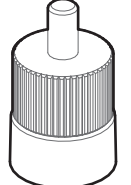
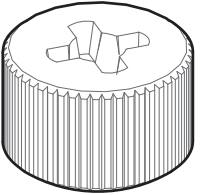
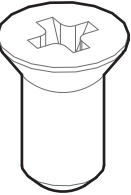




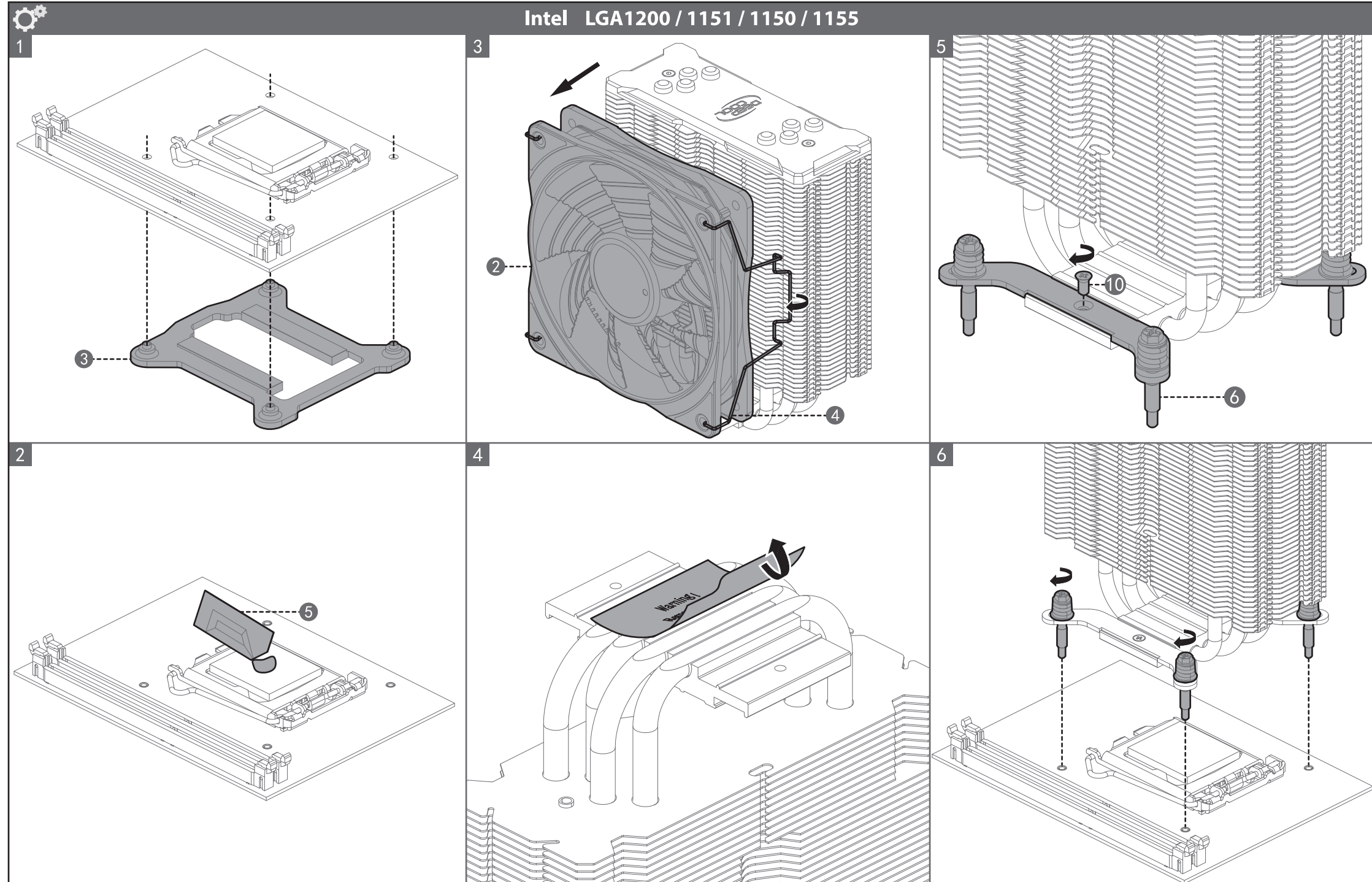
GAMMAXX 400 XT

www.deepcool.com

- EN For further information, please consult www.deepcool.com
- DE Für weitere Informationen, besuchen Sie bitte unsere Webseite: www.deepcool.com
- IT Per ulteriori informazioni, si prega di consultare il sito: www.deepcool.com
- FR Pour plus d'informations, s'il vous plaît consulter le site: www.deepcool.com
- ES Para más información, por favor consulte nuestra página web: www.deepcool.com
- PT Para mais informações, por favor consulte: www.deepcool.com
- PL W celu uzyskania dalszych informacji, proszę kliknąć: www.deepcool.com
- CS Pro další informace se prosím obraťte: www.deepcool.com
- RU Для дополнительной информации, пожалуйста, посетите www.deepcool.com
- KK Көымыша ақпарат үшін www.deepcool.com жүйініңіз
- TR Daha fazla bilgi için, lütfen: www.deepcool.com
- JP 製品に関する最新の情報をご記入して公開しております。 www.deepcool.com
- KR 이 페이지의 내용을 꼭 읽어주세요. www.deepcool.com
- 如欲獲得最新資料, 請瀏覽網站www.deepcool.com
- 如欲獲得最新消息, 請瀏覽網站www.deepcool.com

 1	x1	 2	x1
 3	x1	 4	x2
 5	x1	 6	x2
 7	x2	 8	x4
 9	x4	 10	x2

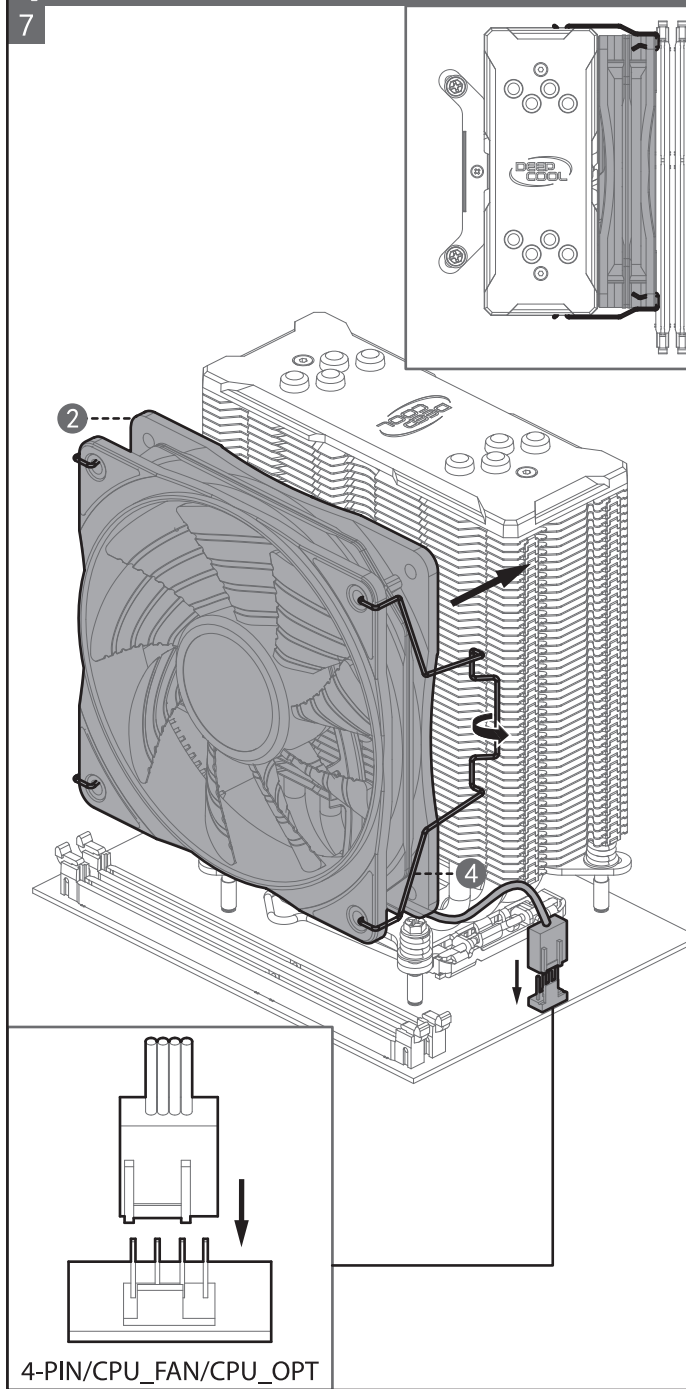
Intel LGA1200 / 1151 / 1150 / 1155



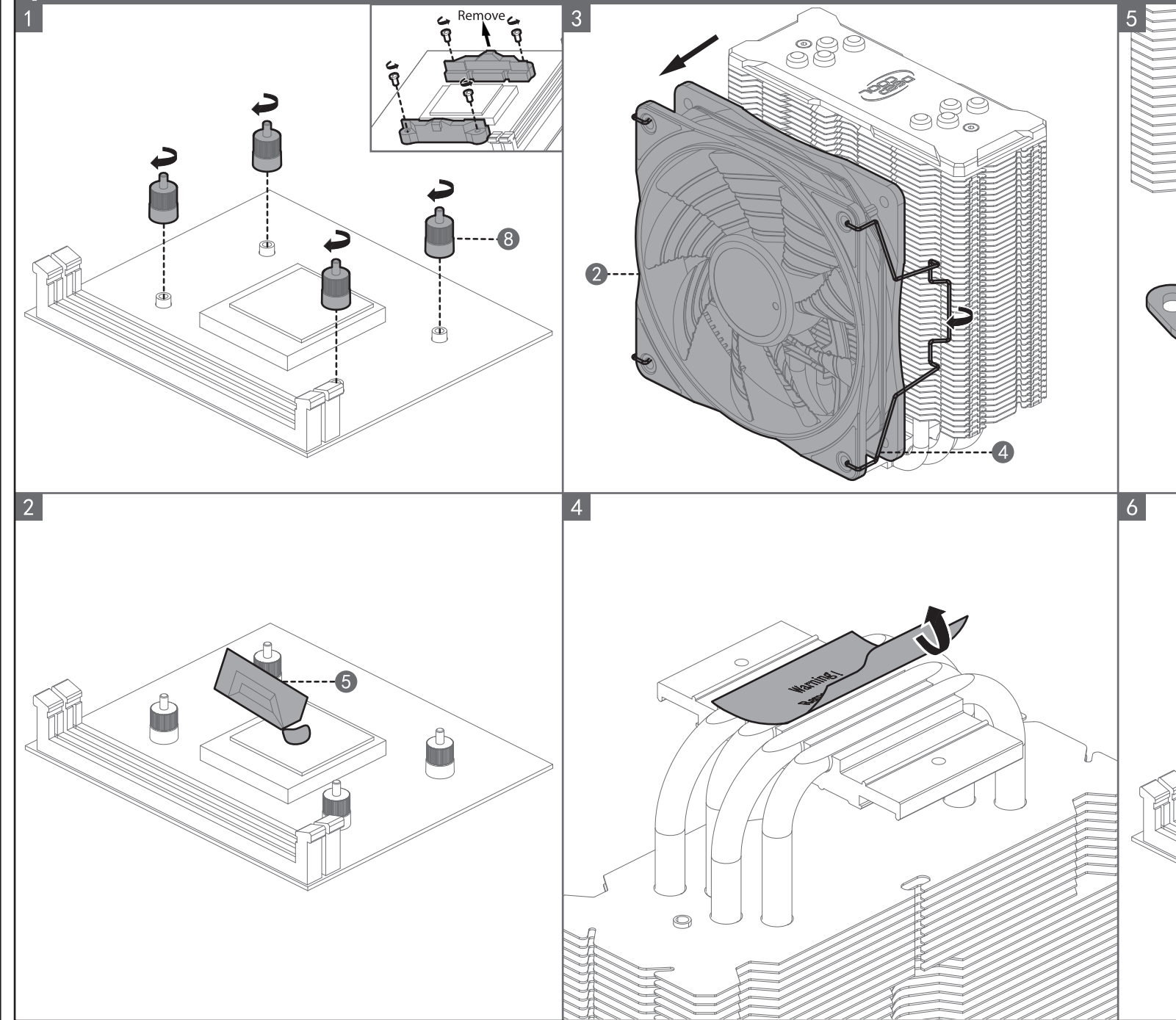
The diagram illustrates the following steps:

1. Position the mounting plate (3) and bracket (4) over the CPU socket.
2. Insert the spacer (5) into the bracket.
3. Attach the fan (2) to the back of the cooler.
4. Place the cap (9) on the top of the cooler.
5. Tighten the screws (6) to secure the cooler to the mounting plate.
6. Tighten the screws (8) to secure the bracket to the motherboard.

Intel LGA1200 / 1151 / 1150 / 1155



AMD AM4



AMD AM4

