



ARMOR AIR

GAMING CHAIR

ASSEMBLY DRAWING

部件圖示 / 部件圖示



ALL-PURPOSE 2-WAY GAMING CHAIR WITH LEATHER COVER

多用途的電競椅椅套 / 多用途的电竞椅椅套

Inheriting the body-embracing high back from the ARMOR series, ARMOR AIR is given a innovative high back design. It features two types of high-back - breathable mesh and comfortable leather along with full adjustability for different needs. ARMOR AIR is quite enough for you in all battles!

FEATURES 產品特點 / 产品特点

ENGLISH

- Dual design for all needs
- Full steel frame
- Gas lift height adjustment
- Adjustable arm rest
- 5 star metal base
- Breathable PVC leather
- Embroidered logo
- Weight limit : 150kg

ESPAÑOL

- Doble diseño para todas las necesidades
- Estructura hecha totalmente en acero
- Ajuste de altura con suspensión de aire
- Descansabrazos ajustable
- Base de metal de 5 estrellas
- Cuero de PVC respirable
- Logo bordado
- Soporta hasta 150 Kg

簡中

- 两用椅背设计，满足所有需求
- 独创多用途透气椅背设计
- 坚固的钢管结构设计
- 椅座高低可调式设计
- 可调式扶手
- 坚固耐用的金属椅脚
- 透气的PVC皮革材质
- 最大可承重 150kg

PORTUGUÊS

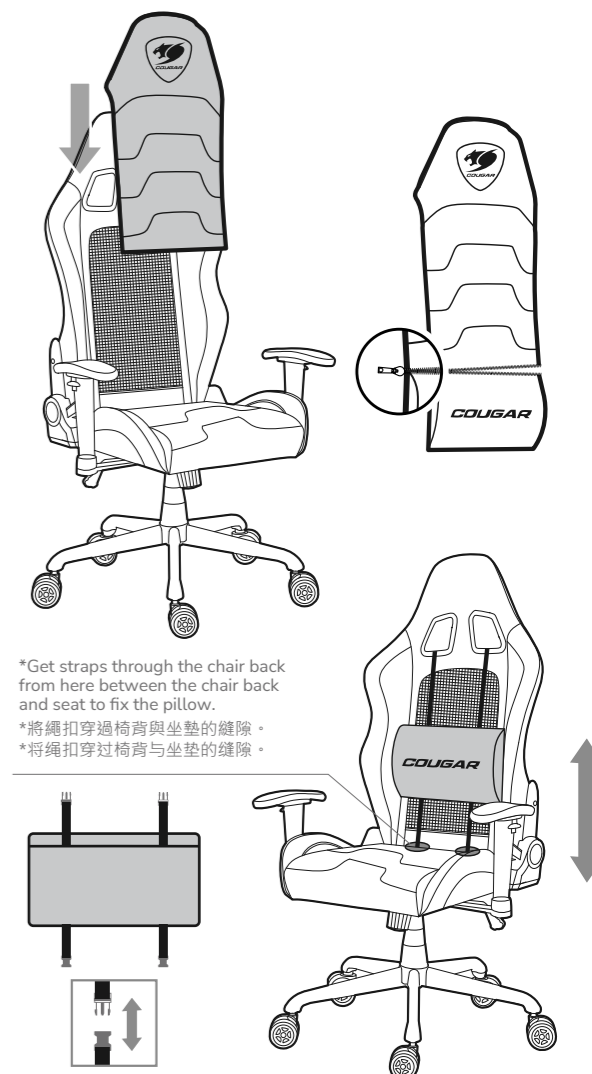
- Duplo design para atender a todas necessidades
- Estrutura feita totalmente em aço
- Ajuste de altura com suspensão de ar
- Descanso de braços ajustável
- Base de metal de 5 estrelas
- Couro de PVC respirável
- Logo bordado
- Suporta até 150 Kg

РУССКИЙ

- Универсальная конструкция спинки-трансформера для любых нужд
- Стальной каркас
- Регулировка высоты газлифта
- Регулируемые подлокотники
- 5-ти конечное металлическое основание
- Дышащая высокопрочная пвх-кожа
- Вышитый логотип
- Поддержка веса до 150 кг

繁中

- 两用椅背設計，滿足所有需求
- 獨創多用途透氣椅背設計
- 堅固的鋼管結構設計
- 椅座高低可調式設計
- 可調式扶手
- 堅固耐用的金屬椅腳
- 透氣的PVC皮革材質
- 最大可承重 150kg



*Get straps through the chair back from here between the chair back and seat to fix the pillow.

*將繩扣穿過椅背與坐墊的縫隙，以固定枕頭。

*將繩扣穿過椅背與坐墊的縫隙。

1 M6×18mm x10	2 M8×20mm x12	3 M8×25mm x4
4 M5×14mm x2	5 x2	
6 x4	7 x4	
8 x4	9 M6 x1	

1

2

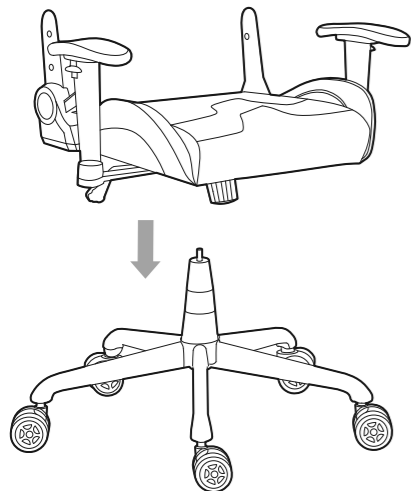
3

*Assemble the mechanism with its tilt lever facing to your left and its knob towards the front of the chair as shown.
托盤方向：讓調整桿朝向您的左側，並依箭頭方向，朝椅子前緣擺放托盤。
托盤方向：让调整杆朝向您的左側，并依箭头方向，朝椅子前緣擺放托盤。

FRONT

4

5



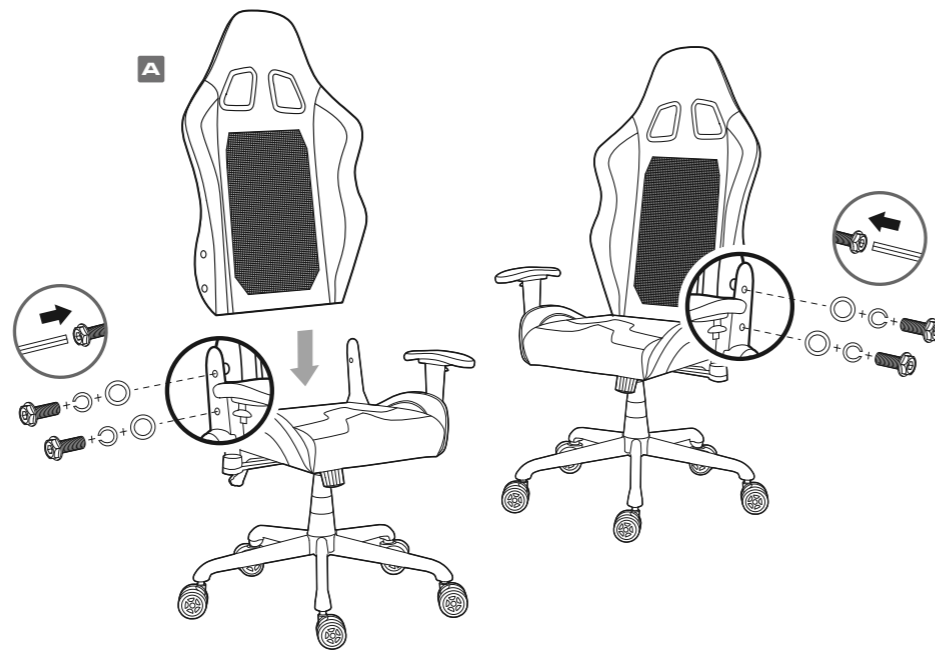
6

3 M8×25mm x4

7 x4

8 x4

9 M6 x1

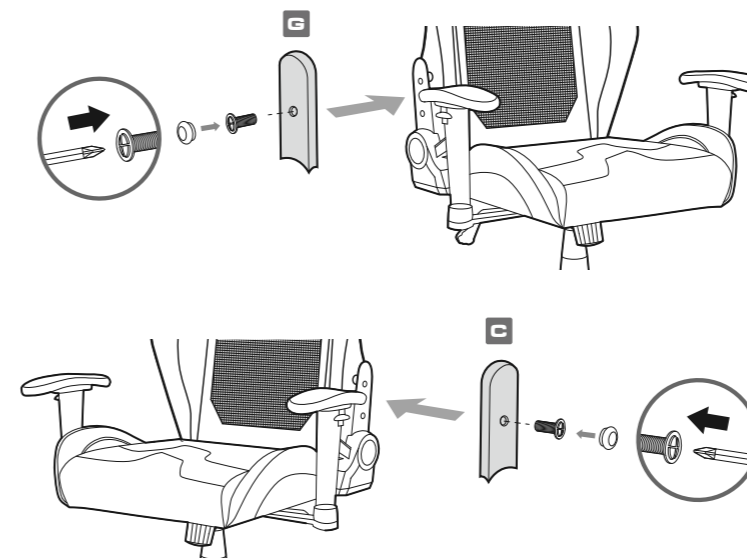


7

4 M5×14mm x2

5 x2

9 M6 x1



MANUFACTURER CONTACT

COUGAR
www.cougargaming.com COUGAR USA Technical Service
Tel: (833) 256-3778
Mail: rma@compucaseusa.com



Compucase Enterprise Co., Ltd.
All rights reserved. Made in China

Maximum stationary weight capacity 120kg. Please do not place any body or object above 120kg on this chair.

最大承重120公斤，請不要乘坐及放置任何超過120公斤的物品於椅子上。
最大承重120公斤，請不要乘坐及放置任何超過120公斤的物品於椅子上。

DISTRIBUTOR



GLOBAL WARRANTY POLICY

全球保固條款 / 全球保固政策

WARRANTY PERIODS OF COUGAR GAMING DEVICES

Product : COUGAR ARMOR AIR GAMING CHAIR
Warranty : Please refer to our official website.
(https://cougargaming.com/us/support/warranty/)
保固政策：中國地區購買，請參考中國地區官方網站。
(http://cougargaming.com.cn/support/warranty/)



詳細保固條件
請掃描QR Code

This warranty gives you specific legal rights. You may also have other rights granted under local law. These rights may vary.

WARRANTY AGREEMENT

If the product has defects in material or manufacture, COUGAR will provide product repair and replacement service within the warranty period.
Our warranty service is based on the date of the invoice or warranty card.

CONDITIONS WHERE FREE MAINTENANCE IS NOT PROVIDED

- Any fault or damage caused by natural disasters (including storm, fire, flood, thunder, earthquake, etc).
- Any fault or damage caused by accidental factors and man-made reasons (including hit, scrape, crash, moving, compression, stain, corrosion, riot, misuse, malicious damage, etc).
- Use in an improper operating environment (including high temperature, high humidity, water inflow, etc).
- Inability to provide the product warranty card, purchase receipt or invoice to prove the product is still within the warranty period and the shipping date of the product is out of warranty.
- The warranty card has been altered or its number is hard to identify.
- The warranty period has expired.

- Any fault or damage caused by non-compliance with regulations stated on the user manual or improper, rough and careless treatment.
- COUGAR is not liable for any damage of life and limb or damage or loss of property caused by or during COUGAR products' use as or with medical equipment, military equipment, traffic equipment and disaster prevention systems.
- COUGAR's warranty liability is limited to repair or replacement. The decision on whether to repair or replace belongs exclusively to COUGAR.
- COUGAR is, to the extent not prohibited by law, not liable for any damages; expenses; lost data, revenues, savings or profits; or any incidental or consequential damages happened while the use of a defective product from COUGAR or due to its use.

DISCLAIMERS

- COUGAR products should not be used as critical components in life support devices.
- COUGAR is not liable for any damage of life and limb or damage or loss of property caused by or during COUGAR products' use as or with medical equipment, military equipment, traffic equipment and disaster prevention systems.
- COUGAR's warranty liability is limited to repair or replacement. The decision on whether to repair or replace belongs exclusively to COUGAR.
- COUGAR is, to the extent not prohibited by law, not liable for any damages; expenses; lost data, revenues, savings or profits; or any incidental or consequential damages happened while the use of a defective product from COUGAR or due to its use.

LEGAL NOTICES

This manual was created by Compucase Enterprise and may not be completely or partially copied, passed on, distributed or stored without written consent by Compucase Enterprise.
COUGAR® is a registered brand of Compucase Enterprise Other product and company names mentioned in this documentation may be brands or trademarks of their respective owners.
Compucase Enterprise reserves the right to make changes concerning the contents of the manual and the technical data of the product without previous announcement.

WARNING

- To adjust the chair height, gently pull the lever up. Do not use excessive force to pull the lever.
- Please wear protective gloves when assembling the chair. It is your own responsibility to use appropriate protection to prevent any physical damage.
- When rocking the chair, using it in any other way or adjusting the height, inclination, position or balance of the chair or any of its components, please:
- Pay attention to your hand's position and keep it away from spaces in which it could get caught or be injured.
- Do not make fast or violent movements.
- (when the chair is in movement) do not touch any of the chair's adjustment controls to prevent affecting its stability and causing a potentially dangerous fall.
- (when reclining the chair to its full extent) set the related control level in lock position and keep both feet on the ground, as well as abstain from any violent, rough or strong movement which could cause the chair to tip over.
- Keep in mind that this chair is designed only for sitting and reclining, and that it should be used only for those uses.
- Do not sit on the edge of the chair or the arm rests.
- Do not place the chair in a location in which it is likely to be subjected to prolonged sunlight exposure. The product's colors might fade when exposed to sunlight.
- Do not use abrasive products or scrub energetically when cleaning. Please stick to gentle products suitable for delicate materials.
- All parts should be checked monthly to confirm their integrity and to make sure that the screws are not loose.
- If any part of the product is or appears to be damaged, missing or loose, please contact the local distributor and do not use the product.

ДАТА ИЗГОТОВЛЕНИЯ ПРОДУКЦИИ

год и месяц изготовления продукции указаны в серийном номере продукта. (существует 2 способа определения даты изготовления, оба способа описаны ниже)

А После S/N: первые две цифры означают год, вторые две – месяц изготовления. Например, S/N: H1702000001 означает, что товар был произведен в феврале 2017 года.

Б После S/N: если указаны буквы, то две буквы представляют цифры из таблицы ниже, и означают год, последующие две цифры – месяц изготовления. Например, S/N: DAG02REV1000001 означает, что товар был произведен в феврале 2017 года.

A	B	C	D	E	F	G	H	I	J
1	2	3	4	5	6	7	8	9	0

• Например, AG = 17 = 2017 год

