

©2022 Hangzhou Hikvision Digital Technology Co., Ltd. All rights reserved.  
About the Manual  
This Manual includes instructions for using and managing the Product. Pictures, charts, images and all other information herein are for description and explanation only. The information contained in the Manual is subject to change, without notice, due to firmware updates or other reasons. Please find the latest version of this Manual at the Hikvision website (https://www.hikvision.com/).  
Please use this Manual with the guidance and assistance of professional training in supporting the Product. HIKVISION and other Hikvision's trademarks and logos are the properties of Hikvision in various jurisdictions. Other trademarks and logos mentioned are the properties of their respective owners.  
Disclaimer  
TO THE MAXIMUM EXTENT PERMITTED BY APPLICABLE LAW, THIS MANUAL AND THE PRODUCT DESCRIBED, WITH ITS HARDWARE, SOFTWARE AND FIRMWARE, ARE PROVIDED "AS IS" AND "WITH ALL FAULTS AND ERRORS". HIKVISION MAKES NO WARRANTIES, EXPRESS OR IMPLIED, INCLUDING WITHOUT LIMITATION, MERCHANTABILITY, SATISFACTORY QUALITY, OR FITNESS FOR A PARTICULAR PURPOSE. THE USE OF THE PRODUCT BY YOU IS AT YOUR OWN RISK. IN NO EVENT SHALL HIKVISION BE LIABLE TO YOU FOR ANY SPECIAL, CONSEQUENTIAL, INCIDENTAL, OR INDIRECT DAMAGES, INCLUDING, AMONG OTHERS, DAMAGES FOR LOSS OF BUSINESS PROFITS, BUSINESS INTERRUPTION, OR LOSS OF DATA, CORRUPTION OF SYSTEMS, OR LOSS OF DOCUMENTATION, WHETHER BASED ON BREACH OF CONTRACT, TORT (INCLUDING NEGLIGENCE), PRODUCT LIABILITY, OR OTHERWISE, IN CONNECTION WITH THE USE OF THE PRODUCT, EVEN IF HIKVISION HAS BEEN ADVISED OF THE POSSIBILITY OF SUCH DAMAGES OR LOSS.  
YOU ACKNOWLEDGE THAT THE NATURE OF THE INTERNET PROVIDES FOR INHERENT SECURITY RISKS, AND HIKVISION SHALL NOT TAKE ANY RESPONSIBILITY FOR ABNORMAL OPERATION, PRIVACY LEAKAGE OR OTHER DAMAGES RESULTING FROM CYBER-ATTACK, HACKER ATTACK, VIRUS INFECTION, OR OTHER INTERNET SECURITY RISKS. HOWEVER, HIKVISION WILL PROVIDE TIMELY TECHNICAL SUPPORT IF REQUIRED. YOU AGREE TO USE THIS PRODUCT IN COMPLIANCE WITH ALL APPLICABLE LAWS, AND YOU ARE SOLELY RESPONSIBLE FOR ENSURING THAT YOUR USE CONFORMS TO THE APPLICABLE LAW. ESPECIALLY, YOU ARE RESPONSIBLE FOR USING THIS PRODUCT IN A MANNER THAT DOES NOT INFRINGE ON THE RIGHTS OF THIRD PARTIES, INCLUDING WITHOUT LIMITATION, RIGHTS OF PUBLICITY, INTELLECTUAL PROPERTY RIGHTS, OR DATA PROTECTION AND OTHER PRIVACY RIGHTS. YOU SHALL NOT USE THIS PRODUCT FOR ANY PROHIBITED END-USES, INCLUDING THE DEVELOPMENT OR PRODUCTION OF WEAPONS OF MASS DESTRUCTION, THE DEVELOPMENT OR PRODUCTION OF CHEMICAL OR BIOLOGICAL WEAPONS, ANY ACTIVITIES IN THE CONTEXT RELATED TO ANY NUCLEAR EXPLOSION OR UNSAFE NUCLEAR FUEL CYCLE, OR IN SUPPORT OF HUMAN RIGHTS ABUSES.  
IN THE EVENT OF ANY CONFLICTS BETWEEN THIS MANUAL AND THE APPLICABLE LAW, THE LATER PREVAILS.

CE This product and - if applicable - the supplied accessories too are marked with "CE" and comply therefore with the applicable harmonized European standards listed under the Directive 2014/53/EU (RED), Directive 2014/30/EU (EMC), Directive 2014/35/EU (LVD), Directive 2011/65/EU (RoHS).  
2012/19/EU (WEEE Directive): Products marked with this symbol cannot be disposed of as unsorted municipal waste in the European Union. For proper recycling, return this product to your local supplier upon the purchase of equivalent new equipment, or dispose of it at designated collection points. For more information see: www.recycle.info  
2006/66/EC (Battery Directive): This product contains a battery that cannot be disposed of as unsorted municipal waste in the European Union. See the product documentation for specific battery information. The battery is marked with this symbol, which may include letters to indicate cadmium (Cd), lead (Pb), or mercury (Hg). For proper recycling, return the battery to your supplier or to a designated collection point. For more information see: www.recycle.info

ELECTRIC CAUTION  
- In the use of the product, you must be in strict compliance with the electrical safety regulations of the nation and region.  
- Shock hazard! Disconnect all power sources before maintenance.  
- The socket-outlet shall be installed near the equipment and shall be easily accessible.  
- Ensure correct wiring of the terminals for connection to an AC mains supply.  
- The equipment has been designed, when required, modified for connection to an IT power distribution system.

BATTERY CAUTION  
1. This equipment is not suitable for use in locations where children are likely to be present.  
2. CAUTION: Risk of explosion if the battery is replaced by an incorrect type.  
3. Improper replacement of the battery with an incorrect type may defeat a safeguard (for example, in the case of some lithium battery types).  
4. Do not dispose of the battery into fire or a hot oven, or mechanically crush or cut the battery, which may result in an explosion.  
5. Do not leave the battery in an extremely high temperature surrounding environment, which may result in an explosion or the leakage of flammable liquid or gas.  
6. Do not subject the battery to extremely low air pressure, which may result in an explosion or the leakage of flammable liquid or gas.  
7. Dispose of used batteries according to the instructions.

1. Risk of explosion if the battery is replaced by an incorrect type.  
2. Improper replacement of the battery with an incorrect type may defeat a safeguard (for example, in the case of some lithium battery types).  
3. Do not dispose of the battery into fire or a hot oven, or mechanically crush or cut the battery, which may result in an explosion.  
4. Do not leave the battery in an extremely high temperature surrounding environment, which may result in an explosion or the leakage of flammable liquid or gas.  
5. Do not subject the battery to extremely low air pressure, which may result in an explosion or the leakage of flammable liquid or gas.  
6. Dispose of used batteries according to the instructions.

+ identifies the positive terminal(s) of equipment which is used with, or generates direct current. + identifies the negative terminal(s) of equipment which is used with, or generates direct current.

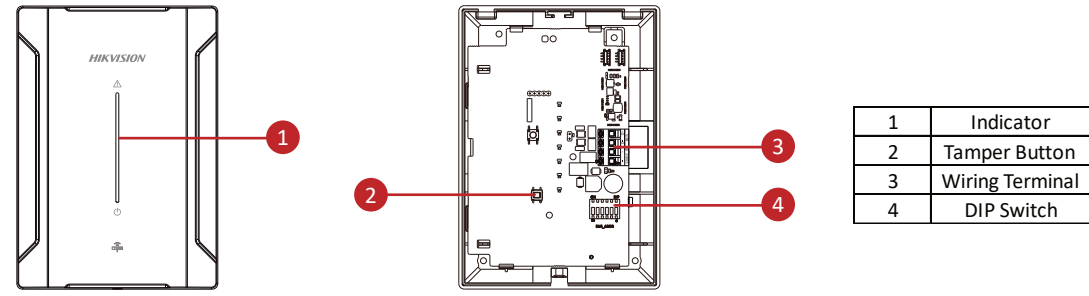
FIRE CAUTION  
- This equipment is suitable for mounting on concrete or other non-combustible surface only.  
- The serial port of the equipment is used for debugging only.

INSTALLATION CAUTION  
- This equipment is not suitable for use in locations where children are likely to be present.  
- Keep the equipment vertically down when moving or using it.

1. Install the equipment according to the instructions in this manual.  
2. To prevent injury, this equipment must be securely attached to the floor/wall in accordance with the installation instructions.

FCC Information  
Please take attention that changes or modification not expressly approved by the party responsible for compliance could void the user's authority to operate the equipment.  
FCC compliance: This equipment has been tested and found to comply with the limits for a Class B digital device, pursuant to part 15 of the FCC Rules. These limits are designed to provide reasonable protection against harmful interference in a residential installation. This equipment generates, uses and can radiate radio frequency energy and, if not installed and used in accordance with the instructions, may cause harmful interference to radio communications. However, there is no guarantee that interference will not occur in a particular installation. If this equipment does cause harmful interference to radio or television reception, which can be determined by turning the equipment off and on, the user is encouraged to try to correct the interference by one or more of the following measures:  
-Reorient or relocate the receiving antenna.  
-Increase the separation between the equipment and receiver.  
-Connect the equipment into an outlet on a circuit different from that to which the receiver is connected.  
-Consult the dealer or an experienced radio/TV technician for help.  
This equipment should be installed and operated with a minimum distance 20cm between the radiator and your body.  
FCC Conditions  
This device complies with part 15 of the FCC Rules. Operation is subject to the following two conditions:  
1. This device may not cause harmful interference.  
2. This device must accept any interference received, including interference that may cause undesired operation

## 1



|   |                 |
|---|-----------------|
| 1 | Indicator       |
| 2 | Tamper Button   |
| 3 | Wiring Terminal |
| 4 | DIP Switch      |

## English

### 1 Appearance

1. Indicator
- Slowly flashing light green: Waiting for enrollment
  - Solid green: Enrolled
  - Quickly flashing orange: Alarm
  - Green and orange quickly flashing alternately: Enrolling
  - Solid orange: Enrolling failed/Fault (Disconnected)
  - Flashing green: Find me mode

2. Tamper Button 3. Wiring Terminal 4. DIP Switch

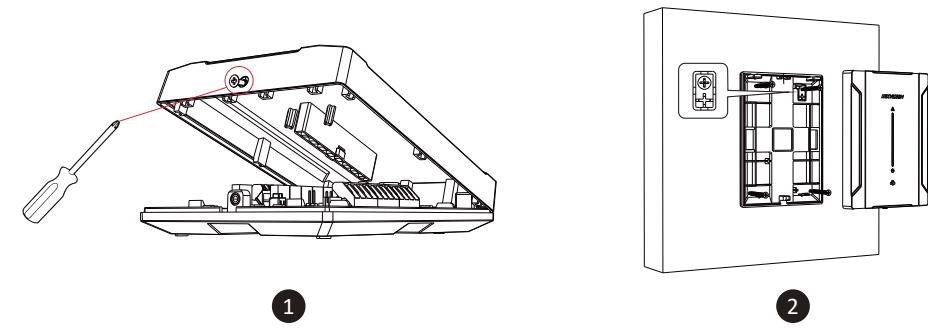
### 2 Installation

### 3 Wiring

### 4 Address Settings

Configure the address via DIP switch of the receiver before powering on the system. The address should be in the range (0 to 63). The address of each receiver should be unique. The binary value shown in the diagram is 000011, which means the decimal value is 3, so the address of the module is 3.

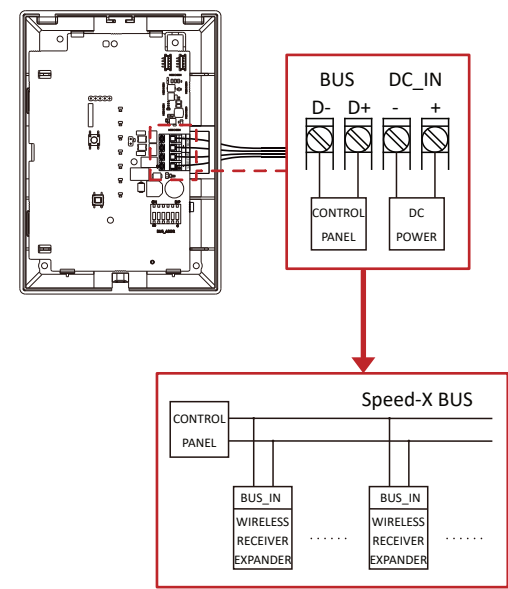
## 2



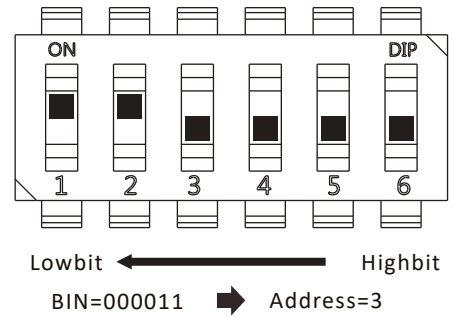
## Specification

|                       |   |
|-----------------------|---|
| Bus                   | 1 Speed-X bus   |
| Power supply          | 9 to 28 VDC, 1 A  |
| Power consumption     | Maximum current 100 mA@12 VDC; Quiescent current 40 mA@12 VDC           |
| RF frequency          | 433 MHz   |
| Wireless security     | Frequency Hopping 128 AES Encryption                                    |
| LED Indicator         | Green: Power/Find me<br>Orange: Alarm/Fault                             |
| Dimension(W × H × D)  | 110 mm × 155 mm × 32 mm   |
| Shell material        | Plastic   |
| Weight                | 233 g   |
| Operation temperature | -10 °C to 40 °C   |
| Operation humidity    | 10% to 90%  |
| Alarm input           | Up to 32 wireless detectors (portable emergency button is not included) |
| Wireless sounder      | Up to 4 wireless indoor sounder, 8 wireless outdoor sounder             |

## 3



## 4



| BIN    | Address | BIN    | Address |
|--------|---------|--------|---------|
| 000000 | 0       | 111000 | 56      |
| 000001 | 1       | 111001 | 57      |
| 000010 | 2       | 111010 | 58      |
| 000011 | 3       | 111011 | 59      |
| 000100 | 4       | 111100 | 60      |
| 000101 | 5       | 111101 | 61      |
| 000110 | 6       | 111110 | 62      |
| 000111 | 7       | 111111 | 63      |

## Français

### 1 Apparence

- Indicateur
  - Lumière verte clignotant lentement : en attente d'inscription
  - Vert fixe : inscrit
  - Orange clignotant rapidement : Alarme
- Bouton antisabotage
- Microcommutateur



Vert et orange clignotent rapidement et alternativement : inscription



Orange fixe : échec de l'inscription/défaut (déconnecté)



Vert clignotant : mode « trouvez-moi »



Borne de câblage

### 2 Installation

### 3 Câblage

### 4 Paramètres d'adresse

Configurez l'adresse à l'aide du microcommutateur du récepteur avant de mettre le système sous tension. L'adresse doit être comprise entre 0 et 63. L'adresse de chaque récepteur doit être unique. La valeur binaire indiquée dans le diagramme est 000011, ce qui correspond à une valeur décimale de 3, par conséquent l'adresse du module est 3.

| Spécification                 |  |
|-------------------------------|--|
| Bus                           | 1 bus Speed-X  |
| Alimentation électrique       | 9 à 28 V CC, 1 A   |
| Consommation électrique       | Courant maximal : 100 mA à 12 V CC ; Courant de repos : 40 mA à 12 V CC                      |
| Fréquence RF                  | 433 MHz  |
| Sécurité sans fil             | Saut de fréquence AES 128 bits Cryptage  |
| Voyant lumineux               | Vert : allumé/mode « <span> </span> trouvez-moi <span> </span> » Orange : alarme/défaillance |
| Dimensions (L x H x P)        | 110 x 155 x 32 mm  |
| Matériau du boîtier           | Plastique  |
| Poids                         | 233 g  |
| Température de fonctionnement | -10 à 40 °C  |
| Humidité de fonctionnement    | 10 à 90 <span> </span> %   |
| Entrée d'alarme               | Jusqu'à 32 détecteurs sans fil (le bouton d'urgence portable n'est pas inclus)               |
| Sirène sans fil               | Jusqu'à 4 sirènes intérieures sans fil, 8 sirènes extérieures sans fil                       |

## Русский

### 1 Внешний вид

- Индикатор
  - Медленное мигает зеленым цветом: Ожидание регистрации
  - Постоянно светится зеленым: Регистрация выполнена
  - Быстро мигает оранжевым: Сигнализация
- Кнопка взлома
- Клеммная колодка
- DIP-переключатель



Поочередно быстро мигает зеленым и оранжевым: Выполняется регистрация



Непрерывно светится оранжевым цветом: Регистрация не удалась/ошибка (отсоединение)



Мигает зеленым цветом: режим «найди меня»

### 2 Установка

### 3 Подключение кабелей

### 4 Настройки адреса

Перед включением системы выполните настройку адреса при помощи DIP-переключателя приемника. Адрес должен находиться в диапазоне (от 0 до 63). Адрес каждого приемника должен быть уникальным. На схеме показано значение 000011 в двоичной системе, которое соответствует десятичному значению 3. Таким образом, модуль имеет адрес 3.

| Технические данные                     |  |
|--|--|
| Ширина                                 | 1 шина Speed-X   |
| Электропитание                         | 9–28 В пост. тока, 1 А   |
| Потребляемая мощность                  | Максимальный ток 100 мА при 12 В пост. тока; Ток в рабочей точке 40 мА при 12 В пост. тока |
| Радиочастота                           | 433 МГц  |
| Безопасность беспроводного подключения | Скачкообразное изменение частоты, шифрование AES 128 Шифрование                            |
| Светодиодный индикатор                 | Зеленый: питание/поиск устройства Оранжевый: тревога/сбой                                  |
| Размеры (Ш x В x Г)                    | 110 мм x 155 мм x 32 мм  |
| Материал корпуса                       | Пластмассовый  |
| Вес                                    | 233 г  |
| Рабочая температура                    | от -10 °C до 40 °C   |
| Влажность в рабочем режиме             | От 10 до 90%   |
| Тревожный вход                         | До 32 беспроводных датчиков (портативная аварийная кнопка в комплект поставки не входит)   |
| Беспроводной звуковой извещатель       | До 4 беспроводных внутренних извещателей, 8 беспроводных наружных извещателей              |

## Deutsch

### 1 Aufbau

- Statusanzeige
  - Langsam hellgrün blinkend: Warten auf Registrierung
  - Leuchtet dauerhaft grün: Registriert
  - Schnell orange blinkend: Alarm
- Sabotage-taste
- DIP-Schalter



Abwechselnd schnell grün und orange blinkend: Registrierung läuft



Durchgehend orange: Registrierung fehlgeschlagen/ Störung (Verbindung unterbrochen)



Grün blinkend: Finde mich-Modus



3. Verkabelungsanschluss

### 2 Installation

### 3 Verkabelung

### 4 Adresseinstellungen

Konfigurieren Sie die Adresse über den DIP-Schalter des Empfängers, bevor Sie das System einschalten. Die Adresse muss im Bereich (0 bis 63) liegen. Die Adresse aller Empfänger muss eindeutig sein. Der in der Abbildung gezeigte Binärwert ist 000011, d. h. der Dezimalwert ist 3, also ist die Adresse des Moduls 3.

| Technische Daten        |   |
|-------------------------|---|
| Bus                     | 1 Geschwindigkeit-X-Bus   |
| Spannungsversorgung     | 9 bis 28 V Gleichspannung, 1 A  |
| Stromverbrauch          | Maximaler Strom 100 mA bei 12 V/DC; Ruhestrom 40 mA bei 12 V/DC                 |
| Funkfrequenz            | 433 MHz   |
| Kabellose Sicherheit    | Frequenzsprung 128 AES Verschlüsselung  |
| LED-Anzeige             | Grün: Ein/Aus/Finde mich Orange: Alarm/Fehler                                   |
| Abmessungen (B x H x T) | 110 mm x 155 mm x 32 mm   |
| Gehäusematerial         | Kunststoff  |
| Gewicht                 | 233 g   |
| Betriebstemperatur      | -10 bis 40 °C   |
| Betriebsfeuchtigkeit    | 10 <span> </span> % bis 90 <span> </span> %                                     |
| Alarmeingänge           | Bis zu 32 kabellose Melder (transportable Notfalltaste ist nicht enthalten)     |
| Funk-Sirene             | Bis zu 4 Funk-Sirenen für den Innenbereich, 8 Funk-Sirenen für den Außenbereich |

## Türkçe

### 1 Görünüm

- Gösterge
  - Yavaşça yanıp sönen açık yeşil: Kayıt için bekliyor
  - Sürekli yeşil: Kaydedildi
  - Hızlı yanıp sönen turuncu: Alarm
- Kurcalama Düğmesi
- DIP Anahtarı



Yeşil ve turuncu sırayla hızlı yanıp sönyor: Kaydediliyor



Sürekli turuncu: Kayıt başarısız/Arıza (Bağlantı kesildi)



Yanıp sönen yeşil: Beni bul modu



3. Kablo Bağlantısı Terminali

### 2 Montaj

### 3 Kablolama

### 4 Adres Ayarları

Sistemi açmadan önce, alıcının DIP anahtarı ile adresi yapılandırın. Adres, aralık içinde olmalıdır (0 ila 63). Her bir alıcının adresi benzersiz olmalıdır. Şemada gösterilen ikili değer 000011, bu da ondalık değerinin 3 ve modül adresinin 3 olduğu anlamına gelir.

| Özellikler        |  |
|-------------------|--|
| Otobüs            | 1 Speed-X veri yolu  |
| Güç kaynağı       | 9 ila 28 VDC, 1 A  |
| Güç tüketimi      | Maximali proud 100 mA, 12 VDC; Sessiz akım 40 mA, 12 VDC                       |
| RF frekans        | 433 MHz  |
| Kablosuz güvenlik | Frekans Atlama 128 AES Şifreleme   |
| LED Göstergesi    | Yeşil: Güç/Beni bul Turuncu: Alarm/Arıza                                       |
| Boyut (G x Y x D) | 110 mm x 155 mm x 32 mm  |
| Gövde malzemesi   | Plastik  |
| Ağırlık           | 233 g  |
| Çalışma sıcaklığı | -10 °C ila 40 °C   |
| Çalışma nemi      | %10 ila %90  |
| Alarm girişi      | Az 32 kablosuz dedektöre kadar (taşınabilir acil durum düğmesi dahil değildir) |
| Kablosuz siren    | 4 kablosuz iç mekan sirenine, 8 kablosuz dış mekan sirenine kadar              |

## Italiano

### 1 Aspetto

- Indicatore
  - Lampeggio lento in verde chiaro: In attesa di registrazione
  - Verde fisso: Registrato
  - Lampeggio veloce in arancione: Allarme
- Pulsante manomissione
- Microinterruttore



Lampeggio veloce in verde e in arancione in alternanza: Registrazione



Arancione fisso: Registrazione non riuscita/errore (disconnesso)



Verde lampeggiante: modalità Trovami



3. Terminale di cablaggio

### 2 Installazione

### 3 Cablaggio

### 4 Configurazione dell'indirizzo

Configurare l'indirizzo tramite DIP switch prima di accendere il sistema. L'indirizzo deve essere compreso nell'intervallo (0-63). L'indirizzo di ciascun ricevitore deve essere univoco. Il valore binario mostrato nel diagramma è 000011, che corrisponde a un valore decimale 3. L'indirizzo del modulo quindi è 3.

| Specifiche               |  |
|--------------------------|--|
| Bus                      | 1 bus velocità-X   |
| Alimentazione            | 9 - 28 V CC, 1 A   |
| Potenza assorbita        | Corrente massima 100 mA a 12 VCC; Corrente a riposo 40 mA a 12 VCC               |
| Frequenza radio          | 433 MHz  |
| Sicurezza wireless       | Diversificazione di frequenza 128 AES Crittografia                               |
| Indicatore LED           | Verde: Acceso/Ricerca Arancione: Allarme/Guasto                                  |
| Dimensioni (L x A x P)   | 110 mm x 155 mm x 32 mm  |
| Materiale della custodia | Plastica   |
| Peso                     | 233 g  |
| Temperatura di esercizio | Da -10 °C a 40 °C  |
| Umidità di esercizio     | Da 10% a 90%   |
| Ingresso allarme         | Fino a 32 rilevatori wireless (il pulsante di emergenza portatile non è incluso) |
| Suoneria wireless        | Fino a 4 sirene wireless per interni, o 8 sirene wireless per esterni            |

## Čeština

### 1 Vzhled

- Indikátor
  - Pomalú blikající světle zelená: Čekání na registraci
  - Neprerušovaná zelená: Registrováno
  - Rychle blikající oranžová: Alarm
- Tlačítko neoprávněné manipulace
- Kabelový terminál



Rychle střídavě blikající zelená a oranžová: Probíhá registrace



Svítlí oranžová: Registrace se nezdařila/chybá registrace (odpojení)



Blikající zelená: Režim Najdi mě



4. Spínač DIP

### 2 Montáž

### 3 Zapojení

### 4 Nastavení adresy

Před zapnutím systému nakonfigurujte adresu pomocí spínače DIP přijímače. Adresa by měla být v rozsahu (0 až 63). Adresa jednotlivých přijímačů by měla být jedinečná. Binární hodnota zobrazená v diagramu je 000011, což znamená, že desetinná hodnota je 3, takže adresa modulu je 3.

| Technické údaje             |   |
|-----------------------------|---|
| Sběrnice                    | 1 sběrnice Speed-X  |
| Napájení                    | 9 až 28 V DC, 1 A   |
| Příkon                      | Maximální proud 100 mA při 12 V DC; Klidový proud 40 mA při 12 V DC           |
| Frekvence VF                | 433 MHz   |
| Zabezpečení bezdrátové sítě | Přepínání frekvence 128 AES Šifrování   |
| Indikátor LED               | Zelená: napájení / Najdi mě Oranžová: alarm/porucha                           |
| Rozměry (Š x V x H)         | 110 x 155 x 32 mm   |
| Materiál krytu              | Plast   |
| Hmotnost                    | 233 g   |
| Provozní teplota            | -10 °C až 40 °C   |
| Provozní vlhkost            | 10 <span> </span> % až 90 <span> </span> %                                    |
| Vstup alarmu                | Až 32 bezdrátových detektorů (přenosné nouzové tlačítko není součástí balení) |
| Bezdrátový zvukový hlásič   | Až 4 bezdrátové vnitřní sirény, 8 bezdrátových venkovních sirén               |

## Português

### 1 Aspeto

- Indicador
  - Pisca lentamente a verde-claro: A aguardar registro
  - Verde fixo: Registrado
  - Pisca rapidamente a laranja: Alarme
- Botão de adulteração
- Interruptor DIP



Pisca rapidamente a verde e laranja alternadamente: A registar



Cor de laranja sólido: Falha no registo/avaria (desligado)



Verde intermitente: Modo de localização



3. Terminal dos cabos

### 2 Instalação

### 3 Cablagem

### 4 Definições do endereço

Configure o endereço através do interruptor DIP do recetor antes de ligar o sistema. O endereço deve estar no intervalo de 0 a 63. O endereço de cada recetor deve ser único. O diagrama mostra o valor binário 000011, o que significa que o valor decimal é 3. Por conseguinte, o módulo tem o endereço 3.

| Especificações               |   |
|------------------------------|---|
| Barramento                   | 1 barramento Speed-X  |
| Alimentação elétrica         | 9 a 28 V CC, 1 A  |
| Consumo de energia           | Corrente máxima 100 mA@12 V CC; Corrente quiescente 40 mA@12 V CC     |
| Frequência RF                | 433 MHz   |
| Segurança sem fios           | Salto de frequência de 128 AES Encriptação                            |
| Indicador LED                | Verde: Ligar/Localizar Laranja: Alarme/Avaria                         |
| Dimensões (L x A x D)        | 110 mm x 155 mm x 32 mm   |
| Material do invólucro        | Plástico  |
| Peso                         | 233 g   |
| Temperatura de funcionamento | -10 °C a 40 °C  |
| Humidade de funcionamento    | 10% a 90%   |
| Entrada de alarme            | Até 32 detetores sem fios (botão de emergência portátil não incluído) |
| Alarme sem fios              | Até 4 sirenes interiores sem fios e 8 sirenes exteriores sem fios     |

## Magyar

### 1 Külső megjelenés

- Működésjelző
  - Lassan villogó világoszöld: Várakozás a regisztrációra
  - Folyamatos zöld: Regisztrálva
  - Gyorsan villogó narancssárga: Riasztó
- Szabotázs gomb
- Csatlakozóblokk
- DIP-kapcsoló



Váltakozva gyorsan villogó zöld és narancssárga: Regisztráció folyamatban



Folyamatos zöld: Regisztráció/hiba (leválasztva)



Villogó zöld: Keresés mód

### 2 Telepítés

### 3 Bekötés

### 4 Címbeállítások

A rendszer bekapcsolása előtt konfigurálja a címet a vevőegység DIP-kapcsolójával. A címnek a következő tartományban kell lennie: (0 - 63). Minden egyes vevőegység címének egyedinek kell lennie. Az ábrán látható bináris érték 000011, ami azt jelenti, hogy a tízeses érték 3, szóval a modul címe 3.

| Specifikáció                   |  |
|--------------------------------|--|
| Busz                           | 1 Speed-X busz   |
| Tápellátás                     | 9 – 28 V DC, 1 A   |
| Teljesítményfelvétel           | Maximális áramerősség 100 mA, 12 V DC mellett; Nyugalmi áramerősség 40 mA, 12 V DC mellett |
| RF-frekvencia                  | 433 MHz  |
| Vezeték nélküli biztonság      | Hopping 128 AES gyakoriság Titkosítás  |
| LED jelzőlámpa                 | Zöld: Tápellátás/keresés Narancssárga: Riasztás/hiba                                       |
| Méretek (Szél. x Mag. x Mély.) | 110 mm x 155 mm x 32 mm  |
| Burkolat anyaga                | Műanyag  |
| Súly                           | 233 g  |
| Üzemi hőmérséklet              | -10 °C – 40 °C   |
| Üzemi páratartalom             | 10% – 90%  |
| Riasztási bemenet              | Akár 32 vezeték nélküli érzékelő (nem tartalmazza a hordozható vészjelzeti gombot)         |
| Vezeték nélküli router         | Akár 4 vezeték nélküli beltéri hangjelző, 8 vezeték nélküli kültéri hangjelző              |

**Polски**

## 1. Elementy urzdzenia

- Wskaźnik
  - Miga powoli (jasnozielony): oczekiwanie na rejestrację
  - Miga szybko (na przemian zielony i pomarańczowy): rejestrowanie
  - Włczony (zielony): zarejestrowano
  - Włczony (pomarańczowy): rejestrowanie nie powiodo si / usterka (rozłczono)
  - Miga szybko (pomarańczowy): Alarm
  - Miga (zielony): tryb wyszukiwania
- Przycisk zabezpieczenia antysabotażowego
- Złczce
- Przełcznik DIP

## 2. Instalacja

## 3. Połczenia

## 4. Ustawienia adresu

Przed włczeniem zasilania systemu skonfiguruj adres przy użyciu przełcznika DIP odbornika. Adres powinien należeć do zakresu 0 – 63. Adres kaźdego odbornika powinien być unikalny. Podana na diagramie wartośc binarna 000011 odpowiada wartośc dziesitnej 3, dlatego adres modułu to 3.

| Specyfikacja                           |   |
|--|---|
| Magistrala                             | Magistrala Speed-X  |
| Zasilanie                              | 9 – 28 V DC / 1 A   |
| Pobór mocy                             | Prąd maksymalny 100 mA / 12 V DC<br>Prąd spoczynkowy 40 mA / 12 V DC  |
| Częstotliwość radiowa                  | 433 MHz   |
| Bezprzewodowy system ochrony           | 128-bitowe AES ze zmianą częstotliwości Szyfrowanie   |
| Wskaźnik LED                           | Zielony: zasilanie/wyszukiwanie Pomarańczowy: alarm/usterka   |
| Wymiary (szer. x wys. x głęb.)         | 110 mm x 155 mm x 32 mm   |
| Materiał obudowy                       | Tworzywo sztuczne   |
| Waga                                   | 233 g   |
| Temperatura (użytkowanie)              | Od -10°C do 40°C  |
| Wilgotność (użytkowanie)               | 10% – 90%   |
| Wejścia alarmowe                       | Maks. 32 detektory bezprzewodowe (brak przenośnego przycisku alarmowego)  |
| Bezprzewodowe sygnalizatory akustyczne | Maks. cztery bezprzewodowe sygnalizatory dźwiękowe w budynkach, osiem 8 bezprzewodowych sygnalizatorów dźwiękowych poza budynkami |

**Hrvatski**

## 1. Izgled

- Indikator
  - Sporo bljeskajuće zeleno svjetlo: Čekanje na upis
  - Zeleno i narančasto svjetlo brzo će izmjenično treptati: Upisivanje
  - Jarko zelena: Upisano
  - Stalno narančasto: Upis neuspio/Greška (Odsjopeno)
  - Brzo bljeskajuće narančasto: Alarm
  - Trepri zeleno: Način Pronađi me
- Gumb protiv neovlaštenih izmjena
- Terminal ožičenja
- DIP prekidač

## 2. Postavljanje

## 3. Ožičenje

## 4. Postavke adrese

Konfigurirajte adresu putem DIP prekidača prijmnika prije uključivanja sustava. Adresa bi trebala biti u rasponu (0 do 63). Adresa svakog prijmnika trebala bi biti jedinstvena. Binarna vrijednost prikazana na dijagramu je 000011, što znači da je decimalna vrijednost 3, pa je adresa modula 3.

| Specifikacija           |   |
|-------------------------|---|
| Sabirnica               | 1 Speed-X sabirnica   |
| Napajanje               | Od 9 do 28 VDC, 1 A   |
| Potrošnja energije      | Maksimalna struja 100 mA@12 V istosmjernje struje; Struja u stanju mirovanja 40 mA@12 V istosmjernje struje |
| RF frekvencija          | 433 MHz   |
| Bežična sigurnost       | Preskakanje frekvencija 128 AES Enkripcija  |
| LED indikator           | Zelena: Napajanje/Pronađi me Narančasta: Alarm/Pogreška   |
| Dimenzije (Š x V x D)   | 110 mm x 155 mm x 32 mm   |
| Materijal školjke       | Plastika  |
| Težina                  | 233 g   |
| Ograničenje temperature | Od -10 °C do 40 °C  |
| Ograničenje vlage       | 10% do 90%  |
| Ulaz alarma             | Do 32 bežična detektora (nije uključen prijenosni gumb za slučaj nužde)                                     |
| Bežična sirena          | Do 4 bežične unutarnje sirene, 8 bežičnih vanjskih sirena   |

**Română**

## 1. Aspect

- Indicator
  - Clipire lent în verde deschis: Se așteapt activarea
  - Clipire rapid alternativ în verde și portocaliu: Se activeaz
  - Iluminare continu în verde: Activat
  - Portocaliu continuu: Activare nereușit/Avarie (deconectat)
  - Clipire rapid în portocaliu: Alarm
  - Verde intermitent: Modul Gsește-m
- Buton de protecție
- Comutator DIP

## 2. Instalare

## 3. Cablarea

## 4. Setri adres

Înainte de a porni sistemul, configurați adresa prin intermediul comutatorului tip DIP al receptorului. Adresa trebuie s fie în intervalul (de la 0 la 63). Adresa fiecrui receptor trebuie s fie unic. Valoarea binar afișat în diagram este 000011, ceea ce înseamn c valoarea zecimal este 3, iar adresa modulului este 3.

| Specificații               |  |
|----------------------------|--|
| Autobuz                    | 1 magistral Speed-X   |
| Alimentare electric       | 9-28 V c.c., 1 A   |
| Consum de energie          | Curent maxim 100 mA@12 V c.c.; Curent de repaus 40 mA@12 V c.c.                |
| Frecvență RF               | 433 MHz  |
| Securitate fr fir        | Frecvență Hoping 128 AES Criptare  |
| Indicator cu LED           | Verde: Alimentare/Gsește-m Portocaliu: Alarm/Avarie                         |
| Dimensiune (L x  x D)     | 110 mm x 155 mm x 32 mm  |
| Materiale carcasi          | Plastic  |
| Greutate                   | 233 g  |
| Temperatura de funcționare | -10 °C – 40 °C   |
| Umiditatea de funcționare  | De la 10% pn la 90%  |
| Intrare alarm             | Pn la 32 de detectori fr fir (butonul de urgență portabil nu este inclus)  |
| Sonerie wireless           | Pn la 4 sonerii fr fir pentru interior, 8 sonerii fr fir pentru exterior |

**Українська**

## 1. Зовнішній вигляд

- Індикатор
  - Миготливий світло-зелений, повільне миготіння: Очікування реєстрації
  - Зелений і оранжевий швидко миготять по чергові: Триггер реєстрації
  - Немиготливий зелений: Упіс неуспіо/Греška (Odsjopeno)
  - Помилка реєстрації/несправність (роз'єднано)
  - Миготливий оранжевий, швидко миготіння: Триггер режим «Знайди мене»
- Кнопка захисту від пошкодження
- Клемна колодка
- DIP-перемикач

## 2. Установлення

## 3. Під'єднання кабелів

## 4. Налаштування адреси

Перед увімкненням системи здійсніть налаштування адреси приймача за допомогою DIP-перемикача. Адреса повинна мати значення у діапазоні 0–63. Адреса кожного приймача повинна бути унікальною. Двійкове значення, показане на рисунку, дорівнює 000011; це означає, що десяткове значення дорівнює 3, тож адреса модуля – 3.

| Технічні характеристики            |   |
|------------------------------------|---|
| Шина                               | 1 шина Speed-X  |
| Живлення                           | Від 9 до 28 В постійного струму, 1 А  |
| Споживання електроенергії          | Максимальний струм 100 mA за 12 В постійного струму; Струм у стані спокою 40 mA за 12 В постійного струму |
| Частота радіохвилі                 | 433 МГц   |
| Безпека бездротової передачі даних | Стрибокоподібна зміна частоти, стандарт 128 AES Шифрування  |
| Світлодіодний індикатор            | Зелений: живлення/знайди мене Оранжевий: триггер/несправність   |
| Розміри (Ш x В x Г)                | 110 mm x 155 mm x 32 mm   |
| Матеріал кожуху                    | Пластик   |
| Вага                               | 233 г   |
| Робоча температура                 | Від -10 °C до 40 °C   |
| Робоча вологість повітря           | Від 10% до 90%  |
| Тригговий вхід                     | До 32 бездротових датчиків (крім портативної кнопки аварійного виклику)                                   |
| Бездротова сирена                  | До 4 бездротових сирен для приміщень, 8 зовнішніх бездротових сирен                                       |

**Slovenčina**

## 1. Vzhľad

- Indiktor
  - Pomaly bliskajca svetlozelen: akanje na zznam
  - Striedavo rchlo bliskajca zelen a oranžov: Zznam
  - Neprerušovana zelen: Zaznamenan
  - Neprerušovana oranžov: Zznam zlyhal/porucha (odpojen)
  - Rchlo bliskajca oranžov: Alarm
  - Bliskajca zelen: Režim Najdi ma
- Tlaidlo ochrany pred cudzím zsahom
- Svorkovnica
- Prepinač DIP

## 2. Inštalacija

## 3. Zastojenje

## 4. Nastajenje adresy

Pred zapnutjem sistema nakonfigurirajte adresu pomocou prepinača DIP prijimaa. Adresa musi byt v rozsahu (0 a 63). Adresa kaźdeho prijimaa musi byt jedinean. Binarna hodnota zaznamen na obrzku je 000011, čo znamen, že desiatkov hodnota je 3, take adresa modulu je 3.

| Specifikcie                         |  |
|--------------------------------------|--|
| Zbernica                             | 1 zbernica Speed-X   |
| Zdroj napjania                      | 9 a 28 V DC, 1 A  |
| Spotreba energie                     | Maksimalny prd 100 mA pri 12 V DC; pokojovy prd 40 mA pri 12 V DC              |
| Frekvencia RF                        | 433 MHz  |
| Bezdrotv zabezpeenie              | Frekvencia hopping 128 AES Šifrovanie  |
| Indiktor LED                        | Zeleny: Napjanie/Njdi ma Oranžov: Alarm/porucha                              |
| Rozmer (Š x V x H)                   | 110 mm x 155 mm x 32 mm  |
| Materil puzdra                      | Plast  |
| Hmotnosť                             | 233 g  |
| Prevdzkov teplota                  | -10 °C a 40 °C  |
| Prevdzkov vlhkosť                  | 10 % a 90 %   |
| Vstup alarmu                         | A 32 bezdrotvch detektorov (prenosn ndov tlaidlo nie je sučasou dodvky) |
| Bezdrotovy reproduktor typu sounder | A 4 bezdrotv vntorn reproduktory, 8 bezdrotvch vonkajšich reproduktorov  |

**Srpski**

## 1. Izgled

- Indikator
  - Sporo trepti svetlozeleno: Čeka se registracija
  - Zeleno i narandžasto brzo trepte naizmenično: Regstruje se
  - Sija zeleno: Registrovano
  - Sija narandžasto: Registracija nije uspešna/greška (nije povezano)
  - Brzo trepti narandžasto: Alarm
  - Trepri zeleno: Režim pretrage
- Dugme za neovlašćene izmene
- Terminal za instalacije
- DIP prekidač

## 2. Instalacija

## 3. Povezivanje instalacija

## 4. Podešavanja adrese

Konfigurirajte adresu preko DIP prekidača na prijmniku pre podizanja sistema. Adresa mora biti u opsegu (od 0 do 63). Adresa svakog prijmnika mora biti jedinstvena. Binarna vrednost prikazana u dijagramu je 000011, što znači da je decimalna 3, dakle adresa modula je 3.

| Specifikacija         |  |
|-----------------------|--|
| Magistrala            | 1 brzina – X magistrala  |
| Napajanje             | Od 9 do 28 V DC, 1 A   |
| Potrošnja struje      | Maksimalna jačina struje 100 mA pri 12 V DC; Jačina struje mirovanja 40 mA pri 12 V DC |
| RF frekvencija        | 433 MHz  |
| Bežična bezbednost    | Frekvencijsko skakanje 128 AES Šifrovanje  |
| LED indikator         | Zelena: Napajanje/Nadi me Narandžasto: Alarm/greška                                    |
| Dimenzije (Š x V x D) | 110 mm x 155 mm x 32 mm  |
| Materijal kućišta     | Plastika   |
| Težina                | 233 g  |
| Radna temperatura     | Od -10 °C do 40 °C   |
| Radna vlažnost        | Od 10% do 90%  |
| Ulaz za alarm         | Do 32 bežična detektora (prenosivo dugme za hitne slučajeve nije obuhvaćeno)           |
| Bežična sirena        | Do 4 bežične sirene za zatvoren prostor, 8 bežičnih sirena za otvoren prostor          |

**Ελληνικά**

## 1. Εμφάνιση

- Ευδεικτική λυχνία
  - Αναβοσβήνει αργ ανοχτ πράσινο: Αναμονή καταχώρισης
  - Αναβοσβήνει γρήγορα πράσινο και πορτοκαλί εναλλάξ: Γίνεται καταχώριση
  - Σταθερό πράσινο: Έγινε καταχώριση
  - Αναβοσβήνει γρήγορα πορτοκαλί: Συναγερμός
  - Αναβοσβήνει πράσινο: Λειτουργία εύρεσης
- Κουμπι παραβίασης
- Διακόπτης DIP

## 2. Εγκατάσταση

## 3. Καλωδίωση

## 4. Ρυθμίσεις διεύθυνσης

Διαμορφώστε τη διεύθυνση μέσω του διακόπτη DIP στον δέκτη προτού ενεργοποιήσετε το σύστημα. Η διεύθυνση θα πρέπει να είναι εντός του εύρους (0 έως 63). Η διεύθυνση κάθε δέκτη πρέπει να είναι μοναδική. Η δυαδική τιμή που εμφανίζεται στο διάγραμμα είναι 000011, που σημαίνει ότι η δεκαδική τιμή είναι 3, επομένως η διεύθυνση της αυτοτελούς μονάδας είναι 3.

| Προδιαγραφές                |  |
|-----------------------------|--|
| Διάυλας                     | 1 διάυλας Speed-X  |
| Τροφοδοσία                  | 9 έως 28 VDC, 1 A  |
| Κατανάλωση ρεύματος         | Μέγιστο ρεύμα 100 mA@12 VDC; Ρεύμα ηρεμίας 40 mA@12 VDC                          |
| Συχνότητα RF                | 433 MHz  |
| Ασφάλειες ασύρματου δικτύου | Διασπορά συχνότητας 128 AES Κρυπτογράφηση  |
| Ευδεικτική λυχνία LED       | Πράσινο φως: Τροφοδοσία/Find me Πορτοκαλί: Συναγερμός/Σφάλμα                     |
| Διάσταση (Π x V x Μ)        | 110 mm x 155 mm x 32 mm  |
| Υλικό κελύφους              | Πλαστικό   |
| Βάρος                       | 233 g  |
| Θερμοκρασία λειτουργίας     | -10°C έως 40°C   |
| Υγρασία λειτουργίας         | 10% έως 90%  |
| Είσοδος συναγερμού          | Έως 32 ασύρματες ανιχνευτές (δεν περιλαμβάνεται φορητό κουμπι έκτακτης ανάγκης)  |
| Ασύρματη συσκευή ήχου       | Έως 4 ασύρματες σειρήνες εσωτερικού χώρου, 8 ασύρματες σειρήνες εξωτερικού χώρου |

**עברית**

## 1. תרשים רכיבים

- יחידת יזום מהבהב במהירות: יזום בתדירות מהבהב במהירות
- יחידת יזום מהבהב באיטיות: יזום בתדירות מהבהב באיטיות
- יחידת יזום קבוע: נרשם
- יחידת יזום מהבהב במהירות: יזום מהבהב במהירות

## 2. התקנה

## 3. חיוט

## 4. הגדרות תוכנת

לפני הפעלת המערכת, יש להגדיר תוכנת באמצעות מתג DIP של המקלט. התוכנת חייבת להיות במסגרת התחום (0 עד 63). הכותבת של כל מקלט צריכה להיות ייחודית. הערך הבינארי המוצג בתרשים הוא 000011, כלומר שהערך העשרוני הוא 3, כך שכתובת היחידה היא 3.

| מפרט טכני                 |   |
|---------------------------|---|
| ערך ספק כוח               | 9 עד 28 VDC, 1 A                              |
| צריכת חשמל                | זרם מרבי 100 mA@12 VDC; זרם רגוע 40 mA@12 VDC |
| תדר רדיו                  | 433MHz  |
| אבטחת חיבור אלחוטי        | דילול תדרים 128 AES הנצפה                     |
| מחולל                     | יזום: הפעלה/ "מצא אותי" תוכנת: יזום/תקלה      |
| מידות רוחב * גובה * עומק) | 110 * 155 * 32 מ"מ                            |
| חומר המעטפת               | פוליסטיק                                      |
| משקל                      | 233 גר  |
| טמפרטורת עבודה            | 10°C עד -10 °C                                |
| לחות הפעלה                | 10% עד 90%                                    |
| כניסת אזעקה               | עד 32 בֵּזִיכִית דטקטור (אזעקה נייד לא כלול)  |
| גוש אלחוטי                | עד 4 זמזמים חיצוניים אלחוטיים ו-8 חיצוניים.   |









