

ENGLISH

1 APPEARANCE

- Camera
- Speaker
- Microphone
- Panic Button
- Consultation Button
- Braille

2 WIRING

- Network 2, 100 M
- Network1, 100 M, PoE
- 3.4. Audio, 3,5 mm
- Antenna, 4G
- Power Input: 12 VDC
- Strobe light/sounder: 12 VDC, 500 mA

Note: Peripherals need external power supply if the station uses PoE power input.
 8. RS-485 9. Alarm Input 10. Relay Output

3 INSTALLATION

- Surface Mounting
 - Flush Mounting
- ★ Tamper-proof

4 ACTIVATION

Use iVMS-4200 to activate the device.

User Manual

Scan the QR code for more information and operation help.

Specification

Model	DS-PEAP-CV1(B) DS-PEAP-CV2(B)	DS-PEAP-CV1E(B) DS-PEAP-CV2E(B)	DS-PEAP-CV1S(B) DS-PEAP-CV2S(B)	DS-PEAP-CV1SE(B) DS-PEAP-CV2SE(B)	DS-PEAP-CVSA1(B) DS-PEAP-CVSA2(B)	DS-PEAP-CVSA1E(B) DS-PEAP-CVSA2E(B)
Camera	4 MP HD IR Camera					
FOV	Horizontal: 103° Vertical: 54° Diagonal: 117°					
Day & night	Auto					
Video compression standard	H.264/H.265 2560*1440					
Audio input	1-ch Built-in Omnidirectional Microphone, Pickup Distance: 2 m 1-ch 3.5 mm Audio Interface for External Audio Input					
Audio Output	1-ch 3 W Built-in Loudspeaker 1-ch 3.5 mm Audio Interface for External Audio Output					
Audio standard	G.711U/AAC/OPUS/PCM/ADPCM					
Audio quality	Noise Suppression and Echo Cancellation					
Supplement	Efficient IR Light, Irradiation distance: 5 m					
Ethernet port	10 M/100 M Self-adaptive Ethernet Port					
Network protocol	TCP/IP, RTPS					
Public network transmission	ISUP/Hik-connect/Standard SIP					
Alarm input	Tampering detection					
Network interface	2 RJ45 10 M/100 M Self-adaptive Ethernet Port					
3G/4G	No	No	Supported	Supported	Supported	Supported
Power supply interface	1, 12 VDC 1, RJ45 PoE					
SD card	Standard Micro SD Card slot, Supports Micro SD/SDHC/SDXC Card, Max. 256G					
PSTN	1					
Power Supply	12VDC, PoE, ≤40W					
Operation temperature	-40 °C to +65 °C					
Mounting mode	Surface	Flush	Surface	Flush	Surface	Flush
Operation humidity	10%-90%					
Protective level	IP65					
Explosion-proof level	IK10					
Braille on button	Supported, depends on the model					
Dimension (W x H x D) mm	190 × 119 × 47	229 × 138 × 44	190 × 119 × 47	229 × 138 × 44	190 × 119 × 47	229 × 138 × 44

The power supply of this device is made by Shenzhen Honor Electronic Co., Ltd and meets LPS (Limited Power Source). Do not change the adapter randomly. For PoE power supply, it is required to use PoE power adapter or switch which complies with LPS. The recommended model and manufacturer are DS-3T0310HP-E/HS and Hangzhou Hikvision Digital Technology Co., Ltd.

Product Information

©2022 Hangzhou Hikvision Digital Technology Co., Ltd. All rights reserved.

About this Manual
 This Manual includes instructions for using and managing the Product. Pictures, charts, images and all other information herein are for description and explanation only. The information contained in the Manual is subject to change, without notice, due to firmware updates or other reasons. Please find the latest version of this Manual on the Hikvision website (<https://www.hikvision.com/>).

Please use this Manual with the guidance and assistance of professionals trained in supporting the Product.
 HIKVISION and other Hikvision's trademarks and logos are the properties of Hikvision in various jurisdictions. Other trademarks and logos mentioned are the properties of their respective owners.

Disclaimer
 TO THE MAXIMUM EXTENT PERMITTED BY APPLICABLE LAW, THIS MANUAL AND THE PRODUCT DESCRIBED, WITH ITS HARDWARE, SOFTWARE AND FIRMWARE, ARE PROVIDED "AS IS" AND "WITH ALL FAULTS AND ERRORS". HIKVISION MAKES NO WARRANTIES, EXPRESS OR IMPLIED, INCLUDING WITHOUT LIMITATION, MERCHANTABILITY, SATISFACTORY QUALITY, OR FITNESS FOR A PARTICULAR PURPOSE. THE USE OF THE PRODUCT BY YOU IS AT YOUR OWN RISK. IN NO EVENT WILL HIKVISION BE LIABLE TO YOU FOR ANY SPECIAL, CONSEQUENTIAL, INCIDENTAL OR INDIRECT DAMAGES, INCLUDING, AMONG OTHERS, DAMAGES FOR LOSS OF BUSINESS PROFITS, BUSINESS INTERRUPTION, OR LOSS OF DATA, CORRUPTION OF SYSTEMS, OR LOSS OF DOCUMENTATION, WHETHER BASED ON BREACH OF CONTRACT, TORT (INCLUDING NEGLIGENCE), PRODUCT LIABILITY, OR OTHERWISE, IN CONNECTION WITH THE USE OF THE PRODUCT. EVEN IF HIKVISION HAS BEEN ADVISED OF THE POSSIBILITY OF SUCH DAMAGES OR LOSS.
 YOU ACKNOWLEDGE THAT THE NATURE OF INTERNET PROVIDES FOR INHERENT SECURITY RISKS, AND HIKVISION SHALL NOT USE ANY RESPONSIBILITIES FOR ABNORMAL OPERATION, PRIVACY LEAKAGE OR OTHER DAMAGES RESULTING FROM CYBER-ATTACK, HACKER ATTACK, VIRUS INFESTATION, OR OTHER INTERNET SECURITY RISKS; HOWEVER, HIKVISION WILL PROVIDE TIMELY TECHNICAL SUPPORT IF REQUIRED.

YOU AGREE TO USE THIS PRODUCT IN COMPLIANCE WITH ALL APPLICABLE LAWS, AND YOU ARE SOLELY RESPONSIBLE FOR ENSURING THAT YOUR USE CONFORMS TO THE APPLICABLE LAW. ESPECIALLY, YOU ARE RESPONSIBLE FOR USING THIS PRODUCT IN A MANNER THAT DOES NOT INFRINGE ON THE RIGHTS OF THIRD PARTIES, INCLUDING WITHOUT LIMITATION, RIGHTS OF PUBLICITY, INTELLECTUAL PROPERTY RIGHTS, OR DATA PROTECTION AND OTHER PRIVACY RIGHTS. YOU SHALL NOT USE THIS PRODUCT FOR ANY PROHIBITED END-USES, INCLUDING THE DEVELOPMENT OR PRODUCTION OF WEAPONS OF MASS DESTRUCTION, THE DEVELOPMENT OR PRODUCTION OF CHEMICAL OR BIOLOGICAL WEAPONS, ANY ACTIVITIES IN THE CONTEXT RELATED TO ANY NUCLEAR EXPLOSIVE OR UNSAFE NUCLEAR FUEL-CYCLE, OR IN SUPPORT OF HUMAN RIGHTS ABUSES.
 IN THE EVENT OF ANY CONFLICTS BETWEEN THIS MANUAL AND THE APPLICABLE LAW, THE LATER PREVAILS.

CE This product and, if applicable, the supplied accessories too are marked with "CE" and comply therefore with the applicable harmonized European standards listed under the RE Directive 2014/53/EU, the EMC Directive 2014/30/EU, the RoHS Directive 2011/65/EU.

2012/19/EU (WEEE directive): Products marked with this symbol cannot be disposed of as unsorted municipal waste in the European Union. For proper recycling, return this product to your local supplier upon the purchase of equivalent new equipment, or dispose of it at designated collection points. For more information see: www.recycle.it

2006/66/EC (battery directive): This product contains a battery that cannot be disposed of as unsorted municipal waste in the European Union. See the product documentation for specific battery information. The battery is marked with this symbol, which may include lettering to indicate cadmium (Cd), lead (Pb), or mercury (Hg). For proper recycling, return the battery to your supplier or to a designated collection point. For more information see www.recycle.it

FCC Information
 Please take attention that changes or modification not expressly approved by the party responsible for compliance could void the user's authority to operate the equipment.

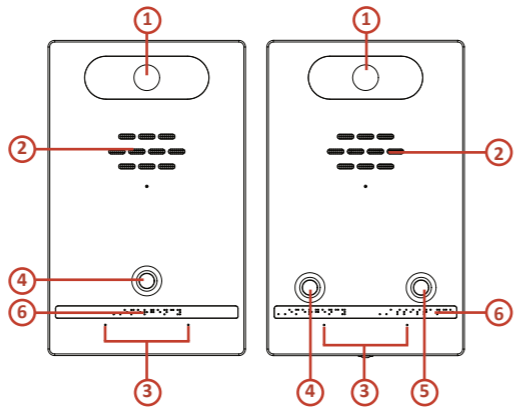
FCC Compliance: This equipment has been tested and found to comply with the limits for a Class B digital device, pursuant to part 15 of the FCC Rules. These limits are designed to provide reasonable protection against harmful interference in a residential installation. This equipment generates, uses and can radiate radio frequency energy and, if not installed and used in accordance with the instructions, may cause harmful interference to radio communications. However, there is no guarantee that interference will not occur in a particular installation. If this equipment does cause harmful interference to radio or television reception, which can be determined by turning the equipment off and on, the user is encouraged to try to correct the interference by one or more of the following measures:
 - Reorient or relocate the receiving antenna.
 - Increase the separation between the equipment and receiver.
 - Connect the equipment into an outlet on a circuit different from that to which the receiver is connected.
 - Consult the dealer or an experienced radio/TV technician for help.

This equipment should be installed and operated with a minimum distance 20cm between the radiator and your body.
 FCC Conditions:
 This device complies with part 15 of the FCC Rules. Operation is subject to the following two conditions:
 1. This device may not cause harmful interference.
 2. This device must accept any interference received, including interference that may cause undesired operation.

INSTALLATION CAUTION
 The additional force shall be equal to three times the weight of the equipment but not less than 50N. The equipment and its associated mounting means shall remain secure during the installation. After the installation, the equipment, including any associated mounting plate, shall not be damaged.

The additional force shall be equal to three times the weight of the equipment but not less than 50N. The equipment and its associated mounting means shall remain secure during the installation. After the installation, the equipment, including any associated mounting plate, shall not be damaged.

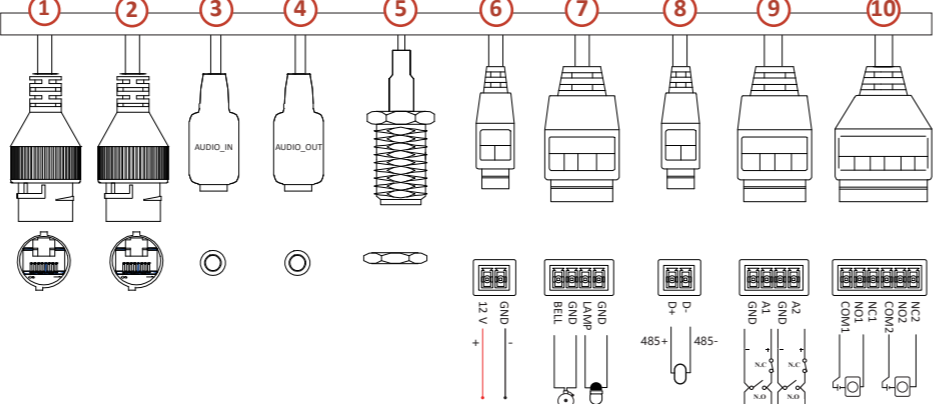
1



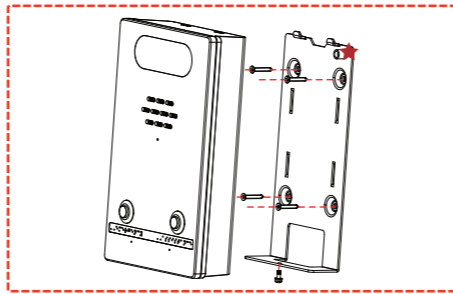
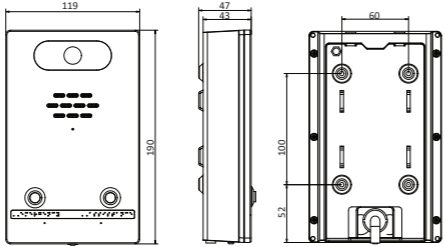
User Manual



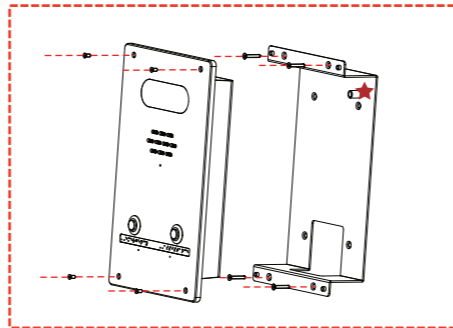
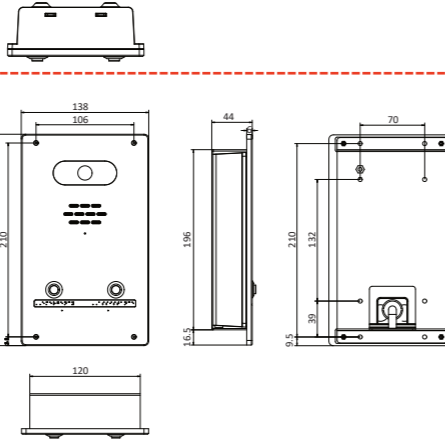
2



3



1



4

Refresh Every 60s

+ Add to Client
+ Add all
Modify Netinfo
Reset Password
Activate
Filter

IP	Device Type	Firmware Version	Security	Server Port	Start Time
xx.xx.xx.xx	xxxxxxxxxxxxxx	xxxxxxxxxxxxxx	Inactive	8000	xxxx-xx-xx xx:xx:xx
xx.xx.xx.xx	xxxxxxxxxxxxxx	xxxxxxxxxxxxxx	Active	8000	xxxx-xx-xx xx:xx:xx

FRANÇAIS

1 ASPECT

- Caméra
- Haut-parleur
- Microphone
- Bouton de panique
- Bouton de consultation
- Braille

2 CÂBLAGE

- Réseau 2, 100 Mbit/s
 - Réseau 1, 100 Mbit/s, PoE
 - 3.4. Audio, 3,5 mm
 - Antenne, 4G
 - Entrée d'alimentation : 12 V CC
 - Lumière stroboscopique/sirène : 12 V CC, 500 mA
- Remarque : Les périphériques ont besoin d'une alimentation électrique externe si la station utilise l'entrée PoE.
 8. RS-485 9. Entrée d'alarme 10. Sortie du relais

3 INSTALLATION

- Montage en surface
- Montage encastré

★ Antisabotage

4 ACTIVATION

Utilisez l'iVMS-4200 pour activer l'appareil.

Manuel d'utilisation

Scannez le code QR pour obtenir plus d'informations et de l'aide sur le fonctionnement.

Spécification

Modèle	DS-PEAP-CV1(B) DS-PEAP-CV2(B)	DS-PEAP-CV1E(B) DS-PEAP-CV2E(B)	DS-PEAP-CV1S(B) DS-PEAP-CV2S(B)	DS-PEAP-CV1SE(B) DS-PEAP-CV2SE(B)	DS-PEAP-CVSA1(B) DS-PEAP-CVSA2(B)	DS-PEAP-CVSA1E(B) DS-PEAP-CVSA2E(B)
Caméra	Caméra IR HD 4 Mpx					
FOV	Horizontal: 103° Vertical: 54° Diagonal: 117°					
Jour et nuit	Automatique					
Norme de compression vidéo	H.264/H.265					
Résolution	2560 × 1440					
Entrée audio	Microphone omnidirectionnel intégré de 1 canal, distance de prise de son : 2 m Interface audio monocanal 3,5 mm pour l'entrée audio externe					
Sortie audio	Haut-parleur intégré de 1 canal 3 W Interface audio 1 canal 3,5 mm pour la sortie audio externe					
Norme audio	G.711U/AAC/OPUS/PCM/ADPCM					
Qualité audio	Suppression du bruit et annulation de l'écho					
Fonction supplémentaire	Éclairage IR efficace, distance de rayonnement : 5 m					
Port Ethernet	Port Ethernet autoadaptatif de 10/100 Mbit/s					
Protocole de réseau	TCP/IP, RTPS					
Transmission sur le réseau public	ISUP/Hik-connect/Standard SIP					
Entrée d'alarme	Détection de sabotage					
Interface réseau	2 ports RJ45 Ethernet autoadaptatif 10/100 Mbit/s					
3G/4G	Non	Non	Pris en charge	Pris en charge	Pris en charge	Pris en charge
Interface d'alimentation	1 port 12 V CC 1 port RJ45 PoE					
Carte mémoire SD	Fente pour carte microSD standard, prise en charge des cartes microSD/SDHC/SDXC, 256 Go max.					
RTPS	1					
Alimentation électrique	12 V CC, PoE, ≤ 40 W					
Température de fonctionnement	-40 à +65 °C					
Mode de montage	Surface	Encastrement	Surface	Encastrement	Surface	Encastrement
Humidité de fonctionnement	10 à 90 %					
Niveau de protection	IP65					
Niveau antidéflagrant	IK10					
Bouton avec inscription en braille	Pris en charge, selon le modèle					
Dimensions (L x H x P) mm	190 × 119 × 47	229 × 138 × 44	190 × 119 × 47	229 × 138 × 44	190 × 119 × 47	229 × 138 × 44

L'alimentation de cet appareil est réalisée par la société Shenzhen Honor Electronic Co., Ltd et répond aux normes LPS. Ne remplacer pas l'adaptateur par un adaptateur de type différent.

ESPAÑOL

1 ASPECTO

- Cámara
- Altavoz
- Micrófono
- Botón de emergencia
- Botón de consulta
- Braille

2 CABLEADO

- Red 2, 100 M
 - Network 1, 100 M, PoE
 - 3.4. Audio, 3,5 mm
 - Antena, 4G
 - Alimentación de entrada: 12 VCC
 - Luz estroboscópica/altavoz: 12 VCC, 500 mA
- Nota: Los periféricos necesitan alimentación externa si la estación usa una entrada de alimentación PoE.
 8. RS-485 9. Entrada de alarma 10. Salida de relé

3 INSTALACIÓN

- Montaje en superficie
- Montaje empotrado

★ Antimanipulación

4 ACTIVACIÓN

Utilice el software iVMS-4200 para activar el dispositivo.

Manual de usuario

Escanee el código QR para obtener más información y ayuda sobre el funcionamiento.

Spécification

Modelo	DS-PEAP-CV1(B) DS-PEAP-CV2(B)	DS-PEAP-CV1E(B) DS-PEAP-CV2E(B)	DS-PEAP-CV1S(B) DS-PEAP-CV2S(B)	DS-PEAP-CV1SE(B) DS-PEAP-CV2SE(B)	DS-PEAP-CVSA1(B) DS-PEAP-CVSA2(B)	DS-PEAP-CVSA1E(B) DS-PEAP-CVSA2E(B)
Cámara	Cámara IR HD de 4 Mpx.					
Campo de visión (FOV)	Horizontal: 103° Vertical: 54° Diagonal: 117°					
Día y noche	Automática					
Norma de compresión de vídeo	H.264/H.265					
Résolution	2560 × 1440					
Entrada de audio	Microfono omnidireccional integrado de 1 canal, distancia de captación: 2 m Interfaz de audio de 3,5 mm de 1 canal para la entrada de audio externa					
Salida de audio	Altavoz integrado de 3 W y un canal Interfaz de audio de 3,5 mm y un canal para salida de audio externa					
Norma de audio	G.711U/AAC/OPUS/PCM/ADPCM					
Calidad de audio	Supresión del ruido y cancelación del eco					
Suplemento	Luz infrarroja eficaz, distancia de irradiación: 5 m					
Puerto Ethernet	Puerto Ethernet autoadaptativo de 10 M/100 M					
Protocolo de red	TCP/IP, RTPS					
Transmisión de red pública	ISUP/Hik-connect/Normal SIP					
Entrada de alarma	Detección de manipulación					
Conector de red	2 puertos Ethernet RJ45 autoadaptativos de 10 M/100 M					
3G/4G	No	No	Compatible	Compatible	Compatible	Compatible
Interfaz de alimentación	1, 12 VCC 1, RJ45 PoE					
Tarjeta SD	Ranura para tarjetas microSD tipo, compatible con microtarjetas SD/SDHC/SDXC, 256 G máx.					
PSTN	1					
Fuente de alimentación	12 VCC, PoE, ≤ 40 W					
Temperatura de funcionamiento	-40 °C a 65 °C					
Modo de montaje	En superficie	Empotrado	En superficie	Empotrado	En superficie	Empotrado
Humedad de funcionamiento	10%-90%					
Grado de protección	IP65					
Grado a prueba de explosiones	IK10					
Braille sobre el botón	Compatible, depende del modelo					
Dimensiones (mm)	190 × 119 × 47	229 × 138 × 44	190 × 119 × 47	229 × 138 × 44	190 × 119 × 47	229 × 138 × 44

La fuente de alimentación de este dispositivo ha sido fabricada por Shenzhen Honor Electronic Co., Ltd. y cumple con el suministro eléctrico de baja tensión. No cambie el adaptador al azar.

DEUTSCH

1 AUFBAU

- Kamera
- Lautsprecher
- Mikrofon
- Paniktaсте
- Beratungstaste
- Blindenschrift

2 VERKABELUNG

- Network 2, 100 Mbit/s
 - Netzwerk 1, 100 Mbit/s, PoE
 - 3.4. Audio, 3,5 mm
 - Antenne, 4G
 - Eingangsstrom: 12 V DC
 - Stroboskoplicht/Sirene: 12 V DC, 500 mA
- Hinweis: Peripheriegeräte benötigen eine externe Stromversorgung, wenn die Station den PoE-Stromversorgungseingang nutzt.
 8. RS-485 9. Alarmeingang 10. Relaisausgang

3 INSTALLATION

- Aufputzmontage
- Unterputzmontage

★ Sabotagesicherheit

4 AKTIVIERUNG

Verwenden Sie iVMS-4200 zur Aktivierung des Geräts.

Benutzerhandbuch

Scannen Sie den QR-Code für weitere Informationen und Bedienungshilfen.

Technische Daten

Modell	DS-PEAP-CV1(B) DS-PEAP-CV2(B)	DS-PEAP-CV1E(B) DS-PEAP-CV2E(B)	DS-PEAP-CV1S(B) DS-PEAP-CV2S(B)	DS-PEAP-CV1SE(B) DS-PEAP-CV2SE(B)	DS-PEAP-CVSA1(B) DS-PEAP-CVSA2(B)	DS-PEAP-CVSA1E(B) DS-PEAP-CVSA2E(B)
Kamera	4-MP-HD-IR-Kamera					
FOV	Horizontal: 103° Vertical: 54° Diagonal: 117°					
Tag und Nacht	Automatisch					
Videokompressionsstandard	H.264/H.265					
Auflösung	2560 × 1440					
Audioeingang	Integriertes omnidirektionales 1-kanaliges Mikrofon, Aufnahmebereichweite: 2 m 1-kanal 3,5 mm Audiobuchse für externen Audioeingang					
Audioausgang	Integriertes 1-kanaliges 3-W-Lautsprecher 1-kanaliger 3,5-mm-Audio-Anschluss für externe Audioausgabe					
Audiostandard	G.711U/AAC/OPUS/PCM/ADPCM					
Audioqualität	Rausch- und Echosunterdrückung					
Zusatz	Effizientes IR-Licht, Strahlungsbereichweite: 5 m					
Ethernet-Anschluss	Selbstanpassender 10/100-Mbit/s-Ethernet-Anschluss					
Netzwerkprotokoll	TCP/IP, RTPS					
Übertragung über das öffentliche Netz	ISUP/Hik-connect/Standard-SIP					
Alarmeingänge	Sabotageerkennung					
Netzwerkanschluss	2 selbstanpassende RJ45-10-/100-Mbit/s-Ethernet-Anschlüsse					
3G/4G	Nein	Nein	Unterstützt	Unterstützt	Unterstützt	Unterstützt
Stromversorgungsanschluss	1, 12 V DC 1, RJ45 PoE					
SD-Karte	Steckplatz für Standard-MicroSD-Karte, Unterstützung von microSD, SDHC/SDXC-Karte, max. 256 Gb					
PSTN	1					
Spannungsversorgung	12 VDC, PoE, ≤40 W					
Betriebstemperatur	-40 °C bis +65 °C					
Montagemodus	Aufputz	Unterputz	Aufputz	Unterputz	Aufputz	Unterputz
Betriebsfeuchtigkeit	10% bis 90%					

PORTUGUÊS

1. APARÊNCIA

1. Câmera
2. Alto-falante
3. Microfone
4. Botão de pânico
5. Botão de consulta
6. Braille

2. CABOSFIACÃO

1. Rede 2, 100 Mbps
2. Rede 1. 100 Mbps. PoE
3.4. Áudio, 3,5 mm
5. Antena, sinal 4G
6. Entrada de energia: 12 VCC
7. Luz estroboscópica / sirene: 12 VCC, 500 mA
Observação: os periféricos necessitam de fonte de alimentação externa caso a central utilize entrada de energia PoE.
8. RS-485
9. Entrada de alarme
10. Saída do relé

3. INSTALAÇÃO

1. Montagem da superfície
2. Montagem embutida

★Tamper-proof

4. ATIVAÇÃO

Utilize o software iVMS-4200 para ativar o dispositivo.

Manual do usuário

Leia o código QR para obter mais informações e ajuda de operação.

Especificação

Modelo	DS-PEAP-CV1(B)DS-PEAP-CV2(B)	DS-PEAP-CV1(B)DS-PEAP-CV2(B)	DS-PEAP-CV1(B)DS-PEAP-CV2(B)	DS-PEAP-CV1(B)DS-PEAP-CV2(B)	DS-PEAP-CV1A1(B)DS-PEAP-CV1A2(B)	DS-PEAP-CV1A1(B)DS-PEAP-CV1A2(B)
Câmara	Câmara Infravermelha HD 4 MP					
FOV (campo de visão)	Horizontal: 103° <p>Vertical: 54° Diagonal: 117°</p>					
Dia e noite	Automática					
Padrão da compressão de vídeo	H.264 / H.265					
Resolução	2560 × 1440					
Entrada de áudio	Microfone omnidirecional integrado de 1 canal. Distância de captação: 2 m <p>Interface de áudio de 3,5 mm e 1 canal para entrada áudio externa</p>					
Saída de áudio	Alto-falante embudido de 1 canal 3 W <p>Interface de áudio de 3,5 mm de 1 canal para saída de áudio externo</p>					
Padrão de áudio	G.711U/AAC/OPUS/PCM/ADPCM					
Qualidade de áudio	Supressão de ruído e cancelamento de eco					
Suplemento	Lux infravermelha eficiente. Distância de irradiação: 5 m					
Porta Ethernet	Porta Ethernet autoadaptável de 10/100 Mbps					
Protocolo de rede	TCP/IP, RTPS					
Transmissão de rede pública	ISUP / Hik-Connect / SIP Padrão					
Entrada de alarme	Detecção de violação					
Interface de rede	2 (duas) portas Ethernet autoadaptáveis RJ45 de 10/100 Mbps					
3G / 4G	Não	Não	Suportado	Suportado	Suportado	Suportado
Interface da fonte de alimentação	Slot padrão de cartão microSD. Suporta cartões SD / SDHC / SDXC. Máximo: 256 GB					
Cartão SD	Slot padrão de cartão microSD. Suporta cartões SD / SDHC / SDXC. Máximo: 256 GB					
PSTN	1					
Fonte de alimentação	12 VCC, PoE, s40 W					
Temperatura de operação	-40 °C a +65 °C					
Modo de montagem	Superfície	Embutido	Superfície	Embutido	Superfície	Embutido
Umidade de operação	10C ~ 90%					
Nível de proteção	IP65					
Nível de à prova de explosão	IK10					
Botão em braile	Suportado, mas depende do modelo					
Dimensões (L x A x P) em mm	190 × 119 × 47	229 × 138 × 44	190 × 119 × 47	229 × 138 × 44	190 × 119 × 47	229 × 138 × 44

A fonte de alimentação deste dispositivo é fabricada pela Shenzhen Honor Electronic Co., Ltd e atende à LPS. Não mude o adaptador aleatoriamente.

POLSKI

1. ELEMENTY URZĄDZENIA

1. Kamera
2. Głośnik
3. Mikrofon
4. Przycisk alarmu ogólnego
5. Przycisk konsultacji
6. Etykieta systemu Braille'a

2. ZŁĄCZA

1. Sieć 2, 100 mb/s
2. Sieć 1, 100 mb/s. PoE
3.4. Audio, 3,5 mm
5. Antena, 4G
6. Wejście zasilania: 12 V DC
7. Stroboskop / sygnalizator akustyczny: 12 V DC / 500 mA
Uwaga: Urządzenia zewnętrzne wymagają zasilacza, jeżeli stacja używa wejścia zasilania PoE.
8. RS-485
9. Wejście alarmowe
10. Wyjście przekaźnikowe

3. INSTALACJA

1. Montaż natynkowy
2. Montaż wbudowany
★Zabezpieczenie antySabotażowe

4. AKTYWACJA

Aktywny urządzenie przy użyciu oprogramowania iVMS-4200.

Podręcznik użytkownika

Zeskanuj kod QR, aby uzyskać więcej informacji i opisów procedur.

Specyfikacje

Model	DS-PEAP-CV1(B)DS-PEAP-CV2(B)	DS-PEAP-CV1(B)DS-PEAP-CV2(B)	DS-PEAP-CV1(B)DS-PEAP-CV2(B)	DS-PEAP-CV1(B)DS-PEAP-CV2(B)	DS-PEAP-CV1A1(B)DS-PEAP-CV1A2(B)	DS-PEAP-CV1A1(B)DS-PEAP-CV1A2(B)
Kamera	Kamera IR HD 4 Mpx					
Pole widzenia (FOV)	Poziomo: 103° <p>Pionowo: 54° Przekątne: 117°</p>					
Tryb dzień/noc	Automatycznie					
Standard kompresji wideo	H.264/H.265					
Rozdzielczość	2560 × 1440					
Wejście audio	1-kanałowy wbudowany mikrofon dookólny o zasięgu 2 m <p>Jednokanałowe złącze 3,5 mm wejścia audio</p>					
Wyjście audio	1-kanałowy wbudowany głośnik 3 W <p>1-kanałowe złącze 3,5 mm wyjścia audio</p>					
Standard audio	G.711U/AAC/OPUS/PCM/ADPCM					
Jakość audio	Tłumienie szumów i eliminacja echa					
Dodatk	Efektywny promiennik podświetlenia o zasięgu 5 m					
Złącze Ethernet	Adaptacyjne złącze Ethernet 10/100 Mb/s					
Protokół sieciowy	TCP/IP, RTPS					
Transmisja w sieciach publicznych	ISUP/Hik-Connect/Standard SIP					
Wejścia alarmowe	Detekcja sabotażu					
Interfejs sieciowy	Dwa adaptacyjne złącza RJ45 Ethernet 10/100 Mb/s					
3G/4G	Brak	Brak	Obsługiwane	Obsługiwane	Obsługiwane	Obsługiwane
Złącza zasilania	12 V DC, PoE, s40 W					
Temp. operacj	Od -40°C do +65°C					
Tryb montażu	Natynkowy	Podtynkowy	Natynkowy	Podtynkowy	Natynkowy	Podtynkowy
Wilgotność (użytkowanie)	10% ~ 90%					
Stopień ochrony	IP65					
Zabezpieczenie przeciwwybuchowe	IK10					
Etykieta systemu Braille'a na przycisku	Obsługiwane zależnie od modelu					
Wymiary (szer. × wys. × gł.) [mm]	190 × 119 × 47	229 × 138 × 44	190 × 119 × 47	229 × 138 × 44	190 × 119 × 47	229 × 138 × 44

Zasilacz urządzenia jest produkowany przez firmę Shenzhen Honor Electronic Co., Ltd i spełnia wymagania LPS. Nie wolno używać zasilaczy innego typu.

NEDERLANDS

1. VERSCHIJNINGSVORM

1. Camera
2. Luidspreker
3. Microfoon
4. Noodknop
5. Overlegknop
6. Braille

2. BEDRADING

1. Netwerk 2, 100M
2. Netwerk1, 100M, PoE
3.4. Audio, 3,5 mm
5. Antenne, 4G
6. Stroomtoevoer: 12 V DC
7. Stroboscoplicht/geluidgever: 12VDC, 500mA
Opmerking: Randapparatuur heeft externe voeding nodig als het station PoE-stroomvoevoer gebruikt.
8. RS-485
9. Alarmingang
10. Relaisuitgang

3. INSTALLATIE

1. Vlakke Montage
2. Inbouwmontage

★Sabotagebestendig

4. ACTIVERING

Gebruik iVMS-4200 om het apparaat te activeren.

Gebruiksaanwijzing

Scan de QR-code voor meer informatie en assistentie bij de bediening.

Specificatie

Model	DS-PEAP-CV1(B)DS-PEAP-CV2(B)	DS-PEAP-CV1(B)DS-PEAP-CV2(B)	DS-PEAP-CV1(B)DS-PEAP-CV2(B)	DS-PEAP-CV1(B)DS-PEAP-CV2(B)	DS-PEAP-CV1A1(B)DS-PEAP-CV1A2(B)	DS-PEAP-CV1A1(B)DS-PEAP-CV1A2(B)
Camera	4 MP HD IR-camera					
FOV	Horizontal: 103° <p>Vertical: 54° Diagonal: 117°</p>					
Dag & nacht	Automatisch					
Videocompressiestandaard	H.264/H.265					
Resolutie	2560×1440					
Audio-ingang	1-kan ingebouwd omnidirectionele microfoon, pickupafstand: 2m <p>1-kan 3,5mm audio-interface voor externe audio-ingang</p>					
Audio-uitgang	1-kan 3W ingebouwd luidspreker <p>1-kan 3,5mm audio-interface voor externe audio-uitgang</p>					
Audiostandaard	G.711U/AAC/OPUS/PCM/ADPCM					
Audiokwaliteit	Ruisonderdrukking en echo-onderdrukking					
Supplement	Efficiënt IR-licht, stralingsafstand: 5m					
Ethernetpoort	10M/100M zelfaanpassende ethernetpoort					
Netwerkprotocol	TCP/IP, RTPS					
Openbaar-netwerkoverdracht	ISUP/Hik-Connect/standaard-SIP					
Alarmingang	Sabotagedetectie					
Netwerkinterface	2 RJ45 10M/100M zelfaanpassende ethernetpoort					
3G/4G	Nee	Nee	Ondersteund	Ondersteund	Ondersteund	Ondersteund
Voedingsinterface	1. 12VDC <p>1. RJ45 PoE</p>					
SD-kaart	Standaard Micro SD-kaartslot, ondersteunt Micro SD/SDHC/SDXC-kaart, max. 256G					
PSTN	1					
Stroomvoorziening	12VDC, PoE, s40W					
Bedrijfstemperatuur	-40 °C tot +65 °C					
Montagemethode	Oppervlak	Inbouw	Oppervlak	Inbouw	Oppervlak	Inbouw
Luchtvochtigheid tijdens bedrijf	10% - 90%					
Beschermingsniveau	IP65					
Explosiebestendighedsniveau	IK10					
Braille op de knop	Ondersteund, afhankelijk van het model					
Afmetingen (LxHxD)mm	190 × 119 × 47	229 × 138 × 44	190 × 119 × 47	229 × 138 × 44	190 × 119 × 47	229 × 138 × 44

De voeding van dit apparaat is gemaakt door Shenzhen Honor Electronic Co. Ltd en voldoet aan LPS. Wijzig de adapter niet willekeurig.

ROMÂNĂ

1. ASPECT

1. Cameră
2. Difuzor
3. Microfon
4. Buton de panică
5. Buton consultare
6. Braille

2. CABLARE CABLAJ

1. Rețea 2, 100 M
2. Rețea1, 100 M, PoE
3.4. Audio, 3,5 mm
5. Antena, 4G
6. Alimentare: 12 VDC
7. Lumină stroboscopică/sonorizare: 12 VDC, 500 mA
Notă: Perifericele au nevoie de alimentare externă dacă stația folosește o intrare PoE.
8. RS-485
9. Intrare alarmă
10. Ieșire releu

3. INSTALARE

1. Montare pe suprafață
2. Montare la aceiași nivel (îngropat)

★Anti-alterare

4. ACTIVARE

Utilizați iVMS-4200 pentru a activa dispozitivul.

Manual de utilizare

Scanați codul QR pentru mai multe informații și ajutor de operare.

Specificații

Model	DS-PEAP-CV1(B)DS-PEAP-CV2(B)	DS-PEAP-CV1(B)DS-PEAP-CV2(B)	DS-PEAP-CV1(B)DS-PEAP-CV2(B)	DS-PEAP-CV1(B)DS-PEAP-CV2(B)	DS-PEAP-CV1A1(B)DS-PEAP-CV1A2(B)	DS-PEAP-CV1A1(B)DS-PEAP-CV1A2(B)
Camera	Camera IR 4 MP HD					
FOV	Orizontal: 103° <p>Vertical: 54° Diagonal: 117°</p>					
Zi și noapte	Automat					
Standard comprimare video	H.264/H.265					
Rezoluție	2560 × 1440					
Intrare audio	Microfon omnidirecțional incorporat:1- canal, distanța de detectare: 2 m <p>Interfață audio pentru intrare audio externă 1-canal 3,5 mm</p>					
Ieșire audio	Difuzor incorporat:1-canal, 3 W <p>Interfață audio pentru intrare audio externă 1-canal 3,5 mm</p>					
Standard audio	G.711U/AAC/OPUS/PCM/ADPCM					
Calitate audio	Suprimare zgomot și anulare eco					
Supliment	Lumină IR eficientă, distanța de iradier: 5 m					
Port Ethernet	Port Ethernet auto-adaptiv 10 M/100 M					
Protocol de rețea	TCP/IP, RTPS					
Transmisie rețea publică	ISUP/Hik-Connect/Standard SIP					
Intrare alarmă	Detectie alterare					
Interfață de rețea	Port Ethernet auto-adaptiv 2 RJ45 10 M/100 M					
3G/4G	Nu	Nu	Acceptat	Acceptat	Acceptat	Acceptat
Interfață sursă de alimentare	1. 12 VDC <p>1. RJ45 PoE</p>					
Card SD	Slot standard pentru carduri micro SD, acceptă card SD/SDHC/SDXC, max. 256 G					
PSTN	1					
Alimentare electrică	12 VDC, PoE, s40W					
Temperatura de funcționare	de la -40°C până la +65 °C					
Mod montare	Șurafață	La același nivel	Șurafață	La același nivel	Șurafață	La același nivel
Umiditatea de funcționare	10%-90%					
Nivel de protecție	IP65					
Nivel anti-explozie	IK10					
Braille pe buton	Acceptat, depinde de model					
Dimensiune (LxHxD)mm	190 × 119 × 47	229 × 138 × 44	190 × 119 × 47	229 × 138 × 44	190 × 119 × 47	229 × 138 × 44

Sursa de alimentare a acestui dispozitiv este făcută de Shenzhen Honor Electronic Co., Ltd și îndeplinește cerințele LPS. Nu schimbați adaptorul cu unul neverificat .

ČEŠTINA

1. VZHLED

1. Kamera
2. Reproduktor
3. Mikrofon
4. Tlačítkové tlačítko
5. Tlačítko konzultace
6. Braillové písmo

2. ZAPOJENÍ

1. Síť 2, 100 Mb/s
2. Síť 1, 100 Mb/s, PoE
3.4. Zvuk, 3,5 mm
5. Anténa, 4G
6. Vstup napájení: 12 V stejnosm.
7. Zábleskové světlo / sířena: 12 V stejnosm., 500 mA
Poznámka: Používá-li stanice vstup napájení PoE, periferie potřebují externí napájení.
8. RS-485
9. Vstup alarmu
10. Výstup relé

3. MONTÁŽ

1. Povrchová montáž
2. Zapustěná montáž

★Odolnost před neoprávněnou manipulací

4. AKTIVACE

K aktivaci zařízení použijte software iVMS-4200.

Návod kobsluze

Další informace a nápovědu k provozu zísááte naskenováním kódu QR.

Specifikace

Model	DS-PEAP-CV1(B)DS-PEAP-CV2(B)	DS-PEAP-CV1(B)DS-PEAP-CV2(B)	DS-PEAP-CV1(B)DS-PEAP-CV2(B)	DS-PEAP-CV1(B)DS-PEAP-CV2(B)	DS-PEAP-CV1A1(B)DS-PEAP-CV1A2(B)	DS-PEAP-CV1A1(B)DS-PEAP-CV1A2(B)
Kamera	4MP HD infračervená kamera					
FOV	Horizontálně: 103° <p>Vertikálně: 54° Diagonálně: 117°</p>					
Den a noc	Aut.					
Standard komprese videa	H.264/H.265					
Rozlišení	2560 × 1440					
Zvukový vstup	1kan. vestavný všesměrový mikrofon, vzdálenost pro záznam zvuku: 2 m <p>1kan. 3,5mm zvukový konektor pro externí audiovstup</p>					
Audiovýstup	1kan. 3W vestavný reproduktor <p>1kan. 3,5mm zvukový konektor pro externí audiovstup</p>					
Zvukový standard	G.711U/AAC/OPUS/PCM/ADPCM					
Kvalita zvuku	Redukce šumu a potlačení ozvěny					
Doplňk	Efektivní infračervené osvětlení, osazovací vzdálenost: 5 m					
Ethernetový port	Automaticky se přizpůsobující port rozhraní Ethernet 10/100 Mb/s					
Síťový protokol	TCP/IP, RTPS					
Přenos přes veřejnou síť	ISUP/Hik-Connect/Standard SIP					
Vstup alarmu	Detekce neoprávněné manipulace					
Síťový konektor	2 porty RJ45 s automaticky se přizpůsobujícím rozhraním Ethernet 10/100 Mb/s					
3G/4G	Ne	Ne	Podporováno	Podporováno	Podporováno	Podporováno
Rozhraní napájení	1. 12 V stejnosm. <p>1. RJ45 PoE</p>					
Karta SD	Slot pro standardní kartu Micro SD, podpora karty Micro SD/SDHC/SDXC, max. 256 GB					
PSTN	1					
Napájení	12 V stejnosm., PoE, s40 W					
Provozní teplota	-40 °C až +65 °C					
Způsob montáže	Povrchová	Zapustěná	Povrchová	Zapustěná	Povrchová	Zapustěná
Provozní vlhkost	10–90 %					
Krytí	IP65					
Úroveň odolnosti proti výbuchu	IK10					
Braillovo písmo na tlačítkách	Podporováno, záleží na modelu					
Rozměry v mm (š x v x h)	190 × 119 × 47	229 × 138 × 44	190 × 119 × 47	229 × 138 × 44	190 × 119 × 47	229 × 138 × 44

Napájení tohoto zařízení je vyrobeno společností Shenzhen Honor Electronic Co., Ltd a splňuje standard LPS. Neměňte adaptér náhodně.

РУССКИЙ

1. ВНЕШНИЙ ВИД

1. Камера
2. Динамик
3. Микрофон
4. Аварийная кнопка
5. Кнопка связи
6. Шрифт Брайля

2. МОНТАЖ ПРОВОДОВ

1. Сеть 2, Ethernet 100М
2. Сеть 1, Ethernet 100М, PoE
3.4. Аудиовыход, 3,5 мм
5. Антенна, 4G
6. Вход питания: 12 В пост. тока
7. Проблесковый/звуковой оповещатель: 12 В пост. тока, 500 МА
Примечание: Если устройство получает питание по кабелю Ethernet, для периферийного оборудования необходим отдельный источник питания.
8. RS-485
9. Вход сигнализации
10. Релеяный выход

3. МОНТАЖ

1. Монтаж на поверхности
2. Монтаж заподлицо

★Защита от взлома

4. АКТИВАЦИЯ

Для активирования устройства используйте iVMS-4200.

Руководство пользователя

Для получения дополнительной информации и ознакомления с руководством по эксплуатации просканируйте QR-код.

Технические данные

Модель	DS-PEAP-CV1(B)DS-PEAP-CV2(B)	DS-PEAP-CV1(B)DS-PEAP-CV2(B)	DS-PEAP-CV1(B)DS-PEAP-CV2(B)	DS-PEAP-CV1(B)DS-PEAP-CV2(B)	DS-PEAP-CV1A1(B)DS-PEAP-CV1A2(B)	DS-PEAP-CV1A1(B)DS-PEAP-CV1A2(B)
Камера	Камера с матрицей 4 МП стандарта HD с ИК-подсветкой, 4 шт.					
Пole обзора	4 MP HD IR camera <p>Horizontal: 103° Vertical: 54° Diagonal: 117°</p>					
Режим «день/ночь»	Auto					
Стандарт снятия видео	H.264/H.265					
Разрешение	2560 × 1440					
Аудиовход						

© Hangzhou Hikvision Digital Technology Co., Ltd., 2022 г. Все права защищены.

О данном руководстве
В Руководстве содержится инструкция по эксплуатации Изделия. Фотографии, схемы, иллюстрации и прочие материалы приведены исключительно в качестве описаний и пояснений. Информация, приведенная в Руководстве, может быть изменена без предварительного уведомления в связи с обновлением микропрограмм или по другим причинам. Используйте последнюю редакцию Руководства. Ее можно найти на веб-сайте компании Hikvision (<https://www.hikvision.com/>).
Используйте Руководство под наблюдением специалистов, обученных обслуживанию Изделия.
HIKVISION и другие торговые знаки и логотипы компании Hikvision являются собственностью компании Hikvision в различных юрисдикциях. Другие торговые знаки и логотипы, упоминаемые в Руководстве, являются собственностью соответствующих владельцев.

Ограничение ответственности

В МАКСИМАЛЬНОЙ СТЕПЕНИ, РАЗРЕШЕННОЙ ДЕЙСТВУЮЩИМ ЗАКОНОДАТЕЛЬСТВОМ, ДАННОЕ РУКОВОДСТВО И ОПИСАНИЕ ИЗДЕЛИЯ, ВМЕСТЕ С АППАРАТНОЙ ЧАСТЬЮ, ПРОГРАММНЫМ ОБЕСПЕЧЕНИЕМ И ВСТРОЕННОЙ МИКРОПРОГРАММОЙ ПРЕДСТАВЛЯЕТСЯ КАК ЕСТЬ И «СО ВСЕМИ НЕПОДАРОМИ И ОШИБКАМИ». HIKVISION НЕ ДАЕТ НИКАКИХ ГАРАНТИЙ ИЛИ ПОДРАЗУМЕВАЕМЫХ ГАРАНТИЙ, В ТОМ ЧИСЛЕ, БЕЗ ОГРАНИЧЕНИЙ, ГАРАНТИЙ ТОВАРИЩЕСКОГО, УДОБСТВЕННОСТНОГО КАЧЕСТВА ИЛИ ПРИГОДНОСТИ ДЛЯ КОНКРЕТНЫХ ЦЕЛЕЙ. ПОТРЕБИТЕЛЬ ИСПОЛЬЗУЕТ ИЗДЕЛИЕ НА СВОИ СТРАХ И РИСК, НИ ПРИ КАКИХ ОБСТОЯТЕЛЬСТВАХ КОМПАНИЯ HIKVISION НЕ НЕСЕТ ОТВЕТСТВЕННОСТИ ПЕРЕД ПОТРЕБИТЕЛЕМ ЗА КАКУЮ-ЛИБО СЛУЧАЙНУЮ ИЛИ НЕОЖИДАННУЮ УЩЕРБ, ВКЛЮЧАЯ, СРЕДИ ПРОЧЕГО, УБЫТКИ ИЛИ ИЗ-ЗА ПОТЕРИ ПРИБЫЛИ, ПЕРЕРЫВОВ В ДЕЯТЕЛЬНОСТИ, ПОТЕРИ ДАННЫХ ИЛИ ДОКУМЕНТАЦИИ, ПОВРЕЖДЕНИЯ СИСТЕМ, БУДЬ ТО ПО ПРИЧИНЕ НАРУШЕНИЯ ДОГОВОРА, ПРОТИВОПРАВНЫХ ДЕЙСТВИЙ (В ТОМ ЧИСЛЕ ХАЛТАЖИСТОВ), УЩЕРБА ВСЛЕДСТВИЕ ИСПОЛЬЗОВАНИЯ ИЗДЕЛИЯ ИЛИ ИНОГО В СВЯЗИ С ИСПОЛЬЗОВАНИЕМ ДАННОГО ИЗДЕЛИЯ, ДАЖЕ ЕСЛИ КОМПАНИЯ HIKVISION БЫЛО ИЗВЕСТНО О ВОЗМОЖНОСТИ ТАКОГО УЩЕРБА. ПОТРЕБИТЕЛЬ ОСОЗНАЕТ, ЧТО ИНТЕРНЕТ ПО СВОЕЙ ПРИРОДЕ ЯВЛЯЕТСЯ ИСТОЧНИКОМ ПОВЫШЕННОГО РИСКА БЕЗОПАСНОСТИ И КОМПАНИЯ HIKVISION НЕ НЕСЕТ ОТВЕТСТВЕННОСТИ ЗА СВОЮ РАБОТУ ОБОРУДОВАНИЯ, УТЕЧКУ ИНФОРМАЦИИ И ДРУГОЙ УЩЕРБ, ВЫЗВАННЫЙ ИБЕРАТКАМИ, ХАКЕРАМИ, ВИРУСАМИ ИЛИ СЕТЬНЫМИ УГРОЗАМИ, ОДНАКО НАША КОМПАНИЯ ОБЕСПЕЧИВАЕТ СОВРЕМЕННОМУ ТЕХНИЧЕСКОМУ ПОДДЕРЖКУ, ЕСЛИ ЭТО НЕОБХОДИМО. ПОТРЕБИТЕЛЬ СОГЛАШАЕТСЯ ИСПОЛЬЗОВАТЬ ДАННОЕ ИЗДЕЛИЕ В СОТВЕТСТВИИ СО ВСЕМИ ПРИМЕНИМЫМИ ЗАКОНАМИ И НЕСЕТ ПЛЮСНУЮ ОТВЕТСТВЕННОСТЬ ЗА СОБЛЮДЕНИЕ ВСЕХ ПРИМЕНИМЫХ ЗАКОНОВ. В ЧАСТНОСТИ, ПОТРЕБИТЕЛЬ НЕСЕТ ОТВЕТСТВЕННОСТЬ ЗА ИСПОЛЬЗОВАНИЕ ЭТОГО ИЗДЕЛИЯ ТАКИМ СПОСОБОМ, КОТОРЫЙ НЕ НАРУШАЕТ ПРАВА ТРЕТЬИХ ЛИЦ, В ТОМ ЧИСЛЕ, БЕЗ ОГРАНИЧЕНИЙ, ПРАВА ПУБЛИЧНОСТИ, ИНТЕЛЛЕКТУАЛЬНОЙ СОБСТВЕННОСТИ И ЗАЩИТЫ ДАННЫХ. ПОТРЕБИТЕЛЬ ОБЯЗУЕТСЯ НЕ ИСПОЛЬЗОВАТЬ ЭТО ИЗДЕЛИЕ В ЗАПРЕЩЕННЫХ ЦЕЛЯХ, В ТОМ ЧИСЛЕ ДЛЯ РАЗРАБОТКИ ИЛИ ПРОИЗВОДСТВА ОРУЖИЯ МАССОВОГО УНИЧТОЖЕНИЯ, ХИМИЧЕСКОГО ИЛИ БИОЛОГИЧЕСКОГО ОРУЖИЯ, ОСУЩЕСТВЛЕНИЯ КАКОЙ-ЛИБО ДЕЯТЕЛЬНОСТИ В КОНТЕКСТЕ ОРУЖИЯ, НЕБЕЗОПАСНЫХ ОПЕРАЦИЙ С ИЩЕРНЫМ ТОПЛИВОМ ИЛИ ДЛЯ ПОДДЕРЖКИ НАРУШЕНИЙ ПРАВ ЧЕЛОВЕКА.

В СЛУЧАЕ РАЗНОЧТИЯ МЕЖДУ НАСТОЯЩИМ РУКОВОДСТВОМ И ДЕЙСТВУЮЩИМ ЗАКОНОДАТЕЛЬСТВОМ, ПОСЛЕДНЕЕ ИМЕЕТ ПРИОРИТЕТ.

Этот продукт и (если применимо) поставленные аксессуары имеют маркировку "CE" и соответствуют применимым согласованным стандартам, перечисленным в Директиве по радиоборудованию 2014/53/EU RE, Директиве по электромагнитной совместимости 2014/30/EU EMC и Директиве по ограничению использования опасных веществ 2011/65/EU RoHS.

ДИРЕКТИВА WEEE 2012/19/EU (по утилизации отходов электрического и электронного оборудования): продукты, отмеченные этим символом, запрещено утилизировать в Европейском союзе в качестве несоортированных муниципальных отходов. Для надлежащей переработки возвратите этот продукт местному поставщику после покупки эквивалентного нового оборудования или утилизировать его в предназначенных для этого пунктах сбора отходов. Для получения дополнительной информации посетите веб-сайт www.recylethis.info

Директива 2006/66/EC по аккумуляторам и батареям: этот продукт содержит батарею, которую запрещено утилизировать в Европейском союзе в качестве несоортированных муниципальных отходов. Для получения точной информации о батарее см. документацию к продукту. Маркировка батареи может включать символы, которые определяют ее химический состав: кадмий (Cd), свинец (Pb) или ртути (Hg). Для надлежащей утилизации отправки батарею местному поставщику или утилизировать ее в специальных пунктах приема отходов. Для получения дополнительной информации посетите веб-сайт www.recylethis.info

Информация Федеральной комиссии связи (FCC)
Обратите внимание, что внесение изменений или модификаций, иным образом не одобренных сторонами, несущей ответственность за соответствие стандартам, может лишить пользователя права на эксплуатацию оборудования.

Соответствие требованиям Федеральной комиссии связи: Данное оборудование может протестировано и признано соответствующими нормативам для цифровых устройств класса B в соответствии с частью 15 регламента FCC. Эти ограничения предназначены для обеспечения разумной защиты от вредных помех от оборудования, размещаемого в жилых помещениях. Данное оборудование генерирует, использует и может излучать радиочастотную энергию. В случае неправильной настройки или установки оно может создавать помехи для радиосвязи. Тем не менее, даже корректная установка не является гарантией отсутствия помех. Если это оборудование вызывает помехи для радио- или телевизионных приемников, что можно легко определить, выключив и выключив оборудование, вы можете попытаться устранить помехи перечисленными ниже способами.

— Переместите или переориентируйте принимающую антенну.
— Увеличьте расстояние между оборудованием и приемником.
— Подключите оборудование к розетке, отключив от той, в которой подключен приемник.
— Обратитесь за помощью к продавцу или опытному специалисту на розетно- и телевизионном оборудовании.

Это оборудование должно устанавливаться и использоваться на расстоянии не ближе 20 см от человеческого тела.
Условия Федеральной комиссии связи
Данное устройство соответствует требованиям, изложенным в правилах FCC, часть 15. Эксплуатировать устройство необходимо с учетом следующих двух условий:
1. Данное устройство не вызывает вредных помех.
2. Данное устройство принимает любые помехи, включая помехи, которые могут привести к неправильной работе.

МЕРЫ ПРЕДОСТОРОЖНОСТИ ПРИ МОНТАЖЕ

Примечание: Дополнительная сила должна равняться трехкратному весу оборудования, но не должна быть менее 50 Н. Оборудование и соответствующие средства монтажа должны быть надежно зафиксированы во время установки. После установки осмотрите оборудование и соответствующую монтажную пластину на предмет повреждений.

©2022 Hangzhou Hikvision Digital Technology Co., Ltd. Všetky práva vyhradené.

Informácie o tomto návode

Návod obsahuje pokyny na používanie a spracovanie produktu. Obrázky, grafy, nákresy a všetky ďalšie informácie, ktoré sú v ňom uvedené, slúžia len na opis a vyvetlenie informácie uvedené v návode sa môžu zmeniť bez predchádzajúceho upozornenia v dôsledku aktualizácií firmvéru alebo iných príčin. Najnovú verziu tohto návodu nájdete na webovej stránke spoločnosti Hikvision (<https://www.hikvision.com/>). Používajte tento návod v súlade s pokynmi a radami odborníkov, ktorí sú vyškolení na obsluhu produktu.

HIKVISION и иные охранные значкмы а логга spoločnosti Hikvision sú vlastníctvom spoločnosti Hikvision v rôznych jurisdikciách. Iné ochranné známky a logá sú vlastníctvom príslušných majiteľov.

Ограничение ответственности

В МАКСИМАЛЬНОМ МОЖНОМ КОЗШАХУ, КТОРЫЙ ПОВОЛУЮ ПРІСЛУШНЕ ПРАВНЕ ПРЕДПИСА СЯ ТІЬО ПРІЛІУЧКА А ОПІСАНЫ ПРОДУКТ СПІЛУ С ЯЕГО ХАРДВЕРОМ, СОФТВЕРОМ А ФІРМВЕРОМ, ДОДАВАНЮ І ВСТАВЕ „ЯКО ЄСТЬ А„ СО ВСЕГІТЬМИ ПОКУПАЧАМІ А ЧИТАВАНІ, СПІЛІСНОСТЬ HIKVISION НЕПРІСЛУШІЕ ЗІДАНЕ ВІСЛЮДНЕ АНИ ПРЕДОПОДААНЕ. ЗАБІУК, ОКРЕМ ІНЕЮ ВІРАТЕНЕ ЗАБІУК ПРЕДАНОСТІ, УСПІВНОСТІ КВАЛІТІ АЛЕБО ВІДОСТІ НА КОНКРЕТНІЙ ЦЕЛІ, ПОЛУЖАНІЕ ПРОДУКТІУ, ІЕ НА ВАШЕ ВЛАСНЕ РІЗІКО. СПІЛІСНОСТЬ HIKVISION В ЗІДАНЮМ ПРІПАДЕ НЕНЕСІЕ ЗДІПОВІДНОСТІ ЗА ЗІДАНЕ ОСОБИТНІЕ, НАСЛІДЕНЕ, НАНОДНЕ АЛЕБО НЕПРІАМЕ ШІДІУ, ОКРЕМ ІНЕЮ ВІРАТЕНЕ ШІДО З УШЕГО ПОДІВКАТЕКІТНОГО ЗІСАУ, ПРІСУЩЕНІЯ ПОЛІВАНІА, СТРАТІ УІДАНІУ, ПОШІДЖЕНІЯ СИСТЕМОУ АЛЕБО СТРАТІ ДОКУМЕНТАЦІЕ. О ЛІЗ НА ЗАКЛАДЕ РОБІЩЕНІЯ ЗМІЛУВУ, ПРІВІУНУ (ВІРАТЕНЕ НЕБЕЗАЛОСТІ), ЗДОПОВІДНОСТІ ЗА ПРОДУКТ АЛЕБО ІНАК В СІУВІСЛОСТІ С РОУЖІВАНІЕМ ПРОДУКТУ, А ТІ О АНІ В ПРІПАДЕ, АК БОЛА СПІЛІСНОСТЬ HIKVISION УПОЗІВНЕНА НА МОЦНОСТІ ТІАКІТЬО ШІДО.

ІЗНАУІВАТЕ, ЖЕ ПОВАНА ІНТЕРНЕТІУ ІМОЖНОІЕ ІННЕРЕНТНЕ БЕЗПЕЧНОСТНЕ РІЗІКА А СПІЛІСНОСТЬ HIKVISION НЕНЕСІЕ ЗІДАНЮ ЗДОПОВІДНОСТІ ЗА НЕСТАНДАРТНІ ПРІВІАДЦІУ, УНІК ОСОВНІХ ІДІАЮУ АНИ ЗА ІНЕ ШІДІУ В ДІСЛІДКУ КІВЕРНЕТИКІНО ОШІУКУ, ХАКЕРСЬКОГО ОШІУКУ, ВІРУСОВОЇ ІНФЕКЦІЕ АЛЕБО ІНТХ БЕЗПЕЧНОСТНІХ РІЗІК СІЕТЕ ІНТЕРНЕТ. В ПРІПАДЕ ПОТРЕБИ ПРІСЛУШНОСТІ HIKVISION ПОСІТЬМЕ ВІСНІУ ТЕХНІКУ ПОДПІРІУ. СПІЛІСНАСТЕ С РОУЖІВАНІЕМ ТОТІО ПРОДУКТІУ В СІУАДЕ СО ВСЕГІТЬМИ ПРІСЛУШНІТЬИ ЗАКОНАМІ А НЕСІЕТЕ ВІВНАДАНЮ ЗДОПОВІДНОСТІ ЗА ЗАБЕЗПЕЧЕНІЕ, АБИ ВАШЕ РОУЖІВАНІЕ БОЛУ В СІУАДЕ С ПРІСЛУШНІТЬИ ЗАКОНАМІ. СІЕ ОБІАУШІ ЗДОПОВІДНІ ЗА РОУЖІВАНІЕ ТОТІО ПРОДУКТІУ СПІСОБОМ, КОТІОУ НЕПОРІУШІЕ ПРАВА ТРЕТІОХ СТРАН, ОКРЕМ ІНЕЮ ПРІАВА ПУБЛІЦІ, ПРІАВА ОШІВНОГО ВЛАСНІСТІА, ПРІАВА НА ОХРАНАІУ ІДІАЮУ А ІНЕ ПРІАВА НА ОХРАНАІУ СІОКРОМА. ТЕНТІО ПРОДУКТ НЕ СІЕМТЕ РОУЖІВАТЕ НА ЗІДАНЕ ЗАКЛАНІЕ ОЦЕЛІ ВІРАТЕНЕ ВІВХОА АЛЕБО ВІРОВОУ ЗБРАНИ ІННОМАДНОГО НІСЕНІА, ВІВХОА АЛЕБО ВІРОВОУ ПРІВІАУ ХІМІКІСЬКІХ АЛЕБО БІОЛОГІКІСЬКІХ ЗБРАНІА, АКТІОНКЕВІЕ АКТИВІІ В СІУВІСЛОСТІ А КОМУНІКАЦІОУ ВІДНОСІНІОУ АЛЕБО НЕБЕЗПЕЧНІЕМ СІУЛОМ ІДІОРЕВНО ПРІВІАУ, АЛЕБО НА ПОДПІРІОУ ЗІСІВІВАНІА ЛІУДСЬКІХ ПРІАВ.

В ПРІПАДЕ АНЕКОМІВКЕВ НЕСІУАДУ МЕДЗІ ТОУТІО ПРІЛІУЧКОУ А ПРІСЛУШНІТЬИ ПРАВНІТЬИ ПРЕДПІСА ІМАЮ ПРІДНОСТІ ПРІСЛУШНЕ ПРАВНЕ ПРЕДПІСА.

Тенто виробок а додане пріслуденство, ак іе те релевантне, сіа талкто озаначене значуком „CE“, талкто сіа іу сіуаде і пріслудніем хармонізованим еуропським нормамі уведнієм іх в смєрніци о радіових заріаденіах 2014/53/EU, смєрніци о електроманетікєј компатібілітє 2014/30/EU а смєрніци о обмеженні поуліванія уртіхніх небезпечних літоу в електрїкїх а електронїкїх заріаденіах 2011/65/EU.

2012/19/EU (smєrnїca o odpadє a elektrїkїch а електронїкїх заріадєnїах). Prіduky ozaначєnє тїмто symbolum sa v rámci Európskej únie nesmú likvidovať spolu s netriedєným komunálnym odpadom. Po zakúpení ekvivalentného nového zariadenia zrecykľajte produkt tým, že ho odovzdáte miestnemu dodávateľovi alebo ho zlikvidujete na určených zberných miestach. Ďalšie informácie nájdete na: www.recyclethis.info

2006/66/ES (smєrnїca o batériаch): Tento produkt obsahuje batériu, ktorá sa v rámci Európskej únie nesmie likvidovať spolu s netriedєným komunálnym odpadom. Konkrétnе informácie о batєriах nájdete v dokumentácii produktu. Batєriа je ozaначєnа тїмто symbolum, ktorý mоže obsahovať písmenа oznacujúcє obsah kadmia (Cd), olova (Pb) alebo ртути (Hg). Zrecykľajte batєriu tým, že ju odovzdáte dodávateľovi alebo ju zlikvidujete на určenom zbernom mieste. Ďalšie informácie nájdete na: www.recylethis.info

Informácie о прїдпїах FCC
Upozorňujeme, že zmeny alebo modifikácie, ktoré nie sú výslovnє schválenє stranou zodpovednou за dodržіванє síladu, mоžnа anulovať alebo používať на prevádzku tohto zariadenia.

Sílad s прїдпїаи FCC: Zariadenie bolo testované а zodpovedá límitom pre digitálne zariadenia triedy B в sílade s прїдпїаи FCC, Čаst 15. Tieto límity mоžnа navýhnúť, akь postýtїl prїмерnou ochranu pred škodlivým rušením pri montáži zariadenia в obytnom prostredї. Toto zariadenie vytvára, použíва а mоže vysíelať rádїоfреквенснóu energїu, а ak sa nemontuje а nepoužíва в sílade s pokyným, mоže spôsobїť škodlivє rušєnїе rádїовой komunїkácie. Nie je však mоžnє zaručїť, že pri konkrėtnom type montáže nedоjde k rušenїа. Ak toto zariadenie spôsobїť škodlivє rušєnїе prїjmu rádїového alebo televїzného sígnalu, čo je mоžnє urcїť vypnutím а опarтовым zapnutím zariadenia, odporúчанє použivateľovi odstránїť rušєnїе jedнym z týchto opatrenї:
— Zmєnїť smerovанїе alebo umїstєnїе антєny.
— Zváltїť vzdálenost medzi zariadenїem а prїjímачom.

— Prїpoїť zariadenie до зісувкы електрїкїého obvodu, ktorý je їnї ako obvod, до которого в прїпоїєnїає.
— Požiadat о pomosť prodávаїу alebo skúseného rádїového/televїzného technїka.
Namontujte а prevádzкујte toto zariadenie tak, akь bola vzdálenost medzi vysїlacчm а vaším telom najмєnє 20 cm.

Podmїenky прїдпїаи FCC
Toto zariadenie je в sílade s прїдпїаи FCC, Čаst 15. Na prevádzku musĩa by splnenє тїеnє два podmїenky:
1. Toto zariadenie nesmie spôsobovať škodlivє rušєnїе.
2. Toto zariadenie musĩa by odnєne vočї акеmтalїvek vzniknutému rušєnїа vrátанє rušєnїа, ktoré mоže spôsobїť poruchy fungovанїа.

МОНТІАЖ УВАРОВАНІЕ

Сїла побісаєна на зарїадєнє смїе досяговатї трїнаїсьобч мнотност зарїадєнїа, но несміє бїт мєншє акч 50 Н. Зарїадєнє а прїслуднє монтážнє пркы musĩa бы namontованє рєвне. По montážї несміє доїтї к пошкодєнню зарїадєнїа ані прїслуднєј mонтážнєј доскы.

©2022Hangzhou Hikvision Digital Technology Co., Ltd. Tüm hakları saklıdır.

Bu Kılavuz hakkında

Kılavuz, Ürünün kullanımı ve yönetimi ile ilgili talimatları içerir. Resimler, çizimler, görüntüler ve buradaki diğer tüm bilgiler, yalnızca tanıtlama ve açıklama amaçlıdır. Kılavuzda bulunan bilgiler, yazılım güncellemeleri veya başka nedenlerden dolayı önceden haber verilmeksizin değiştirilebilir. Bu kılavuzun en son sürümünü Hikvision web sitesinde (<https://www.hikvision.com/>) bulabilirsiniz.

Lütfen bu kılavuuz, Ürünü detaylıca incelemesi konusunda eğitimli profesyonelleri rehberliğ ve yardımı ile kullanın.

HIKVISION ve diğer Hikvision'un ticari markaları ve logoları Hikvision'un çeşitli yurt merkezlere mülikleridir. Bahsedilen diğer ticari markalar ve logolar ilgili sahiplerinin mülikteyndedir.

Yasal Uyarı

YÜRÜRLÜKTEKİ YASALARIN İZİN VERDİĞİ AZAMI ÖLÇÜDE, BU KILAVUZ VE AÇIKLANAN ÜRÜN, DONANIMI, YAZILIMI VE ÜRÜN YAZILIMI İLE "OLDUĞU GİBİ" VE "TÜM ARIZALAR VE HAZIRLAR İLE" SAĞLANIR. HIKVISION, SINIRLANDIRILMA, TİCARİ OLASILIKLIK, MEMNUNİYET KALİTESİ VEYA BELİRLİ BİR AMAÇA UYGUN OLMAKSIZIN AÇIK VEYA ZAHMİ HİÇBİR GARANTİ VERMEZ. ÜRÜNÜN SİZİN TAFAHİZİNİZİN KULLANIMI İKENİN SORUMLULUĞUNDADIR. HIKVISION HİÇBİR DÜRÜMDA, BU ÜRÜNÜN KULLANIMI İLE BAĞLANTILI OLARAK, HIKVISION BU TÜM HAKSARLARIN OLASILIĞI HAKKINDA BİLGİLENDİRİLMİŞ OLSA BİLE, İŞ KARLARININ KAYBI, İŞ KESİNTİSİ, VERİ KAYBI, SİSTEM KESİNTİSİ, BEŞE KAYBI, SOZLEŞİMİN İHLALI İHKALİ DAHİL, ÜRÜN SORUMLULUĞU GİBİ ZARARLAR DA DAHİL OLMAK ÜZERİ, ÖZEL, SONUÇSAL, TESADÜFİ VEYA DOLAY ZARARLARI İÇİN SİZİ KASILI SORUMLU OLMAMAKTIR.

İNTERNETİN DÜĞASININ DOĞAL GÜVENLİK RİSKLERİ BAHARDİRDİĞİNİ KABUL EDİYORSUNUZ VE HIKVISION, SİBER SALDIRI, HACKER SALDIRISI, VİRÜS DENETİMİ VEYA DİĞER İNTERNET GÜVENLİK RİSKLERİNDE KAYNAKLANAN ANORMAL KULLANIMI, GİZLİLİK SIZNTISI VEYA DİĞER ZARARLAR İÇİN HERHANGİ BİR ÜMİDASINI SAĞLAMAMAKTAN YALNIZCA SİZ SORUMLUSUNUZ. ÖZELİLİKLE, BU ÜRÜNÜ, SINIRLAMA OLMAKSIZIN, TANITIM HAKLARI, FİKRİ MÜLKİYET HAKLARI VEYA VERİ KORUMA VE DİĞER GİZLİLİK HAKLARI DA DAHİL OLMAK ÜZERE UÇUNUCU TARAFLARIN HAKLARINI İHLAL ETMEYECEK ŞEKİLDE KULLANMAKTAN SİZ SORUMLUSUNUZ. BU ÜRÜNÜN KİTLE İMHA SİLAHLARININ GELİŞTİRİLMESİ VEYA İHATİMLİ KİMYASAL VEYA BİYOLOJİK SİLAHLARIN GELİŞTİRİLMESİ VEYA ÜRETİMİ, HERHANGİ BİR NÜKLEER PATİVİTE VEYA GÜVENLİ OLMAYAN NÜKLEER YAKIT DÜĞÜSÜ İLE İLGİLİ HERHANGİ BİR FAALİYETTE VEYA İNŞAN HAKLARI İHLALLERİNİ DESTEKLEMEK DE DAHİL YASAKLANMIŞ SON KULLANIMLAR İÇİN KULLANILMAZSINIZ. BU KILAVUZ İLE İLGİLİ YASA ARASINDA HERHANGİ BİR ÇELİŞKİ OLMASINI DÜRÜMÜNDA, YENİ OLAN GEÇERLİDİR.

Bu ürün ve -varsa birlikte verilen aksesuarlar "CE" ile işaretlenmiştir ve bu nedenle RE Direktifi 2014/53/EU, EMC Direktifi 2014/30/EU, RoHS Direktifi 2011/65/EU altında listelenen geçerli uygulamalarımlı Avrupa standartlarına uygundur.

2012/19 / EU (WEEE direktifi): Bu simgeyle işaretlenen ürünler, Avrupa Birliği'nde ayrıştırılmamış belediye atığı olarak yok edilemez. Doğru geri dönüşüm için, eşdeğer yeni ekipman satın aldıktan sonra bu ürünü yerel tedarikçinize lade edin veya belirlenen toplama noktalarında imha edin. Daha fazla bilgi için bkz: www.recyclethis.info

2006/66/EC (pil direktifi): Bu ürün, Avrupa Birliği'nde ayrıştırılmamış belediye atığı olarak imha edilemeyen bir pil içerir. Özel pil bilgileri için ürün belgelerine bakın. Plı, kadmiyum (Cd), kurşun (Pb) veya cıva (Hg) içerirbilirdiğini belirtmek bu simgeyle işaretlenmiştir. Doğru geri dönüşüm için pil tedarikçinize veya belirlenmiş bir toplama noktasına lade edin. Daha fazla bilgi için bkz: www.recylethis.info

FCC Bilgiyi

Lütfen uyumtuluktan sorumlu taraıfa açıkça analıyanıyman değışiklik veya düzenlemelerin kullanıcının ekipmanı kullanma yetkisini geçersiz kılabileceğini dikkat edin.

FCC uyumluluğu: Bu donanım test edilmiş ve FCC Kurallarının 15'inci bölümü uyarınca, B sınıfı dijital cihaz sınırlarına uygun olduğu tespit edilmiştir. Bu sınırlar, bir konut kurulumunda zararı parazitere karyı makuı koruma sağlamak üzere tasarlanmıştır. Bu donanım, radyo frekansı enerjiyi üretir, kullanır ve yayabilir ve talimatlar'a uygun olarak kurulumuza ve kullanımınıza, radyo iletişimine zararı parazitere neden olabilir. Bununla birlikte, belirli bir kurulumda paraziti önlemeyenizi garantiyi yoktur. Bu donanım, kapatıp açılarak belirlenemli radyo veya televizyon ekipmanine zararı parazitere neden olursa, kullanıcı paraziti aşğıdaki önlemlerden biri veya birkaçıyla düzeltilmeye çalışmalıdır:

— Akci anteni yeniden yönlendirin veya yeniden konumlandırın.
— Donanım ve alıcı arasındaki mesafeyi artırın.
— Donanım, alıcının bağılı olduğu devreden farklı bir devreye bağılı prize bağılayın.

— Yarıdım için satıcıya veya deneyimli bir radyo/TV teknisyenine danışın.
— Bu ekipman, radyatör ile vücudunuz arasında en az 20 cm mesafe olcaıek şekilde kurulmalı ve çalıştırılmalıdır.

Bu cihaz FCC Kurallarının 15'inci bölümüne uygundur. Kullanım aşğıdaki iki koluıa tabidir:
1. Bu cihaz zararı parazitere neden olamayabilir.
2. Bu cihaz, istenmeyen cihazıya neden olacakıecek parazitiler de dahil, alman her türlü parazite dayatılmadır.

KURULUM UYARISI

Ek kuvvet, ekipmanın ağırlığının üç katına eşit olmalı, ancak 50N'dan az olmamalıdır. Ekipman ve bağılı montaj araçları kurulum sırasında güvenli kalmalıdır. Kurulumdan sonra, ilgili montaj plakası da dahil, ekipman hasar görmemelidir.