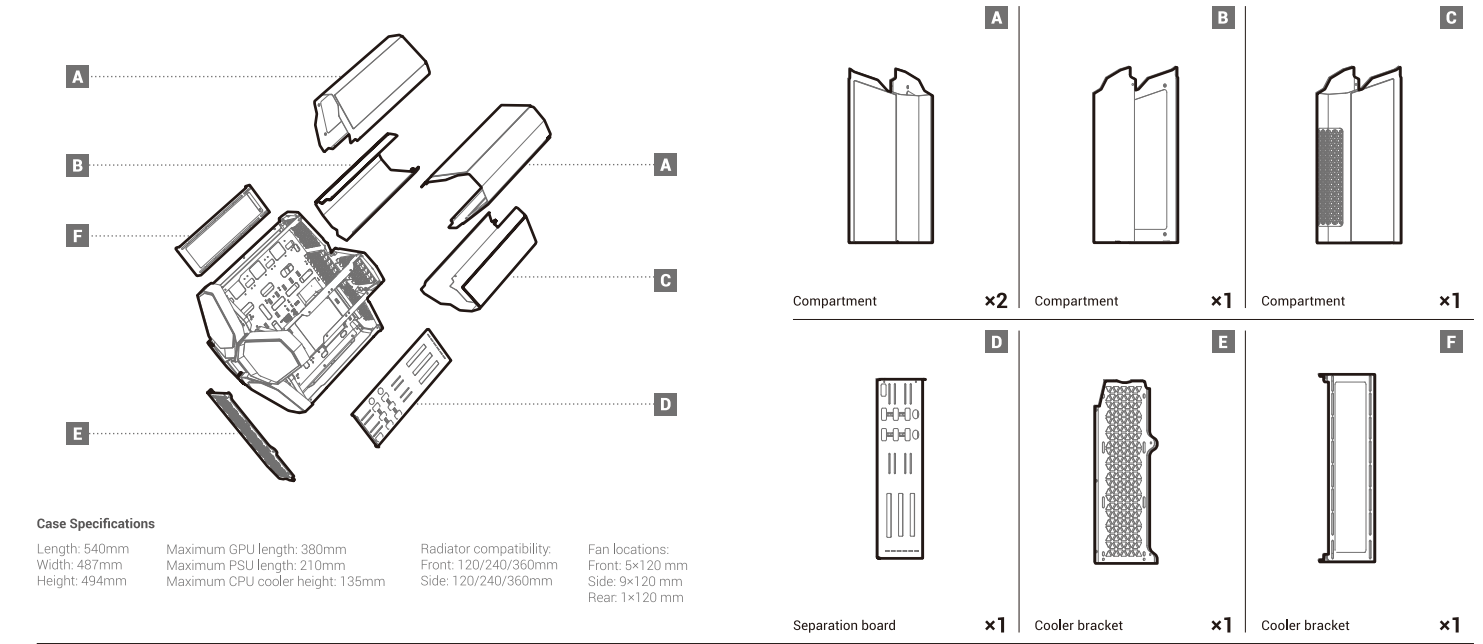


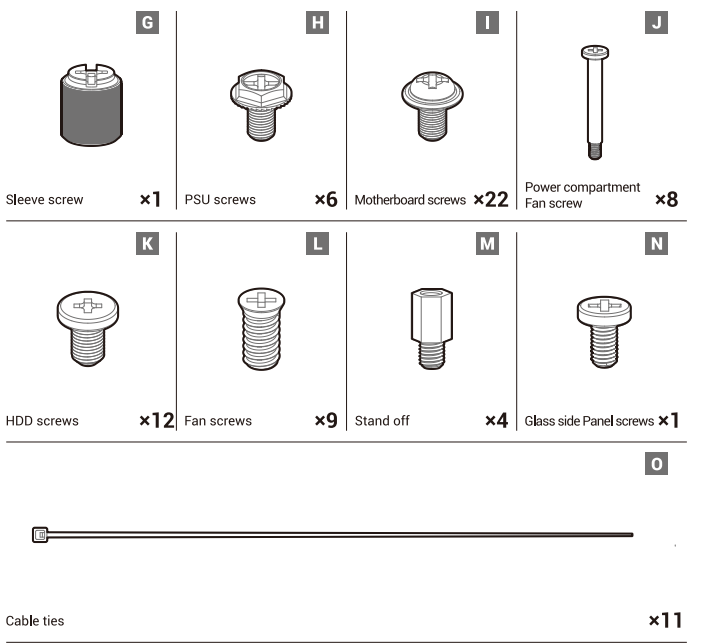
QUADSTELLAR INFINITY



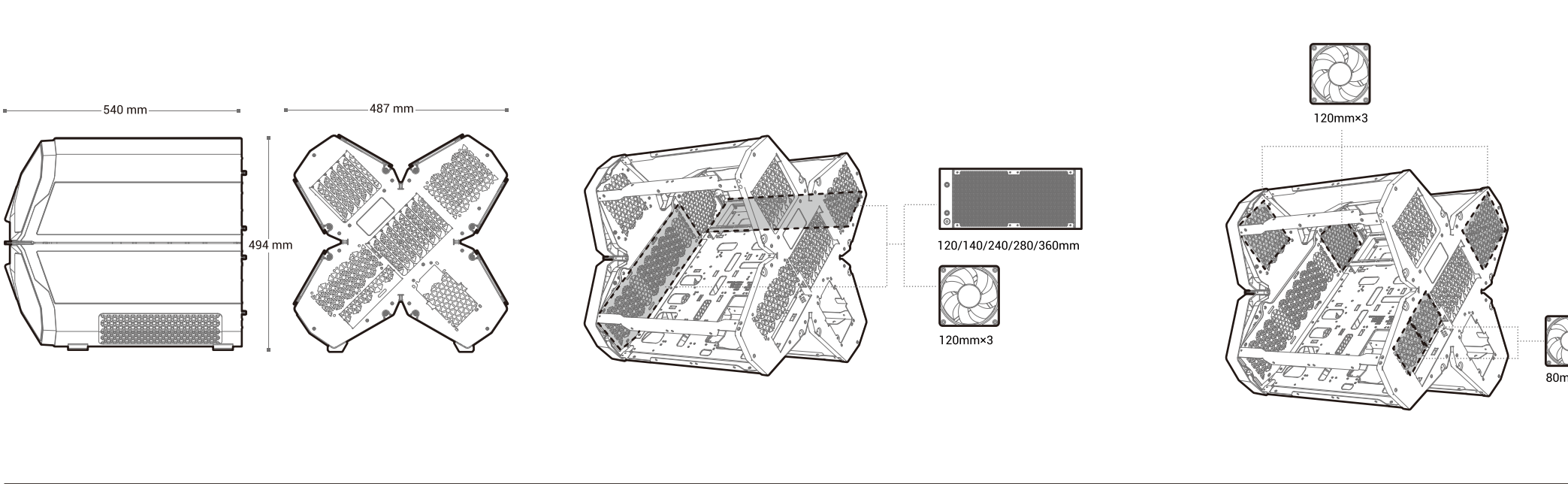
Case Features



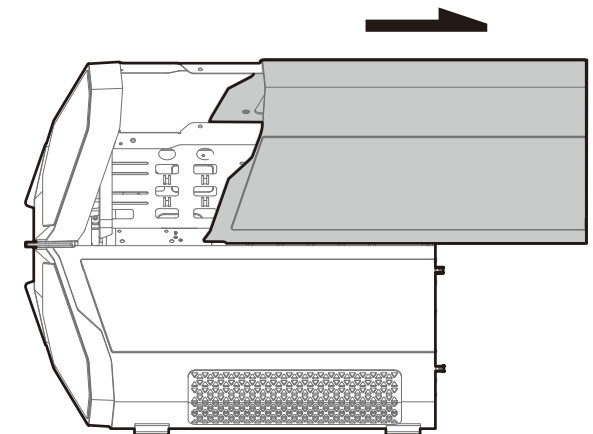
Accessory Kit Contents



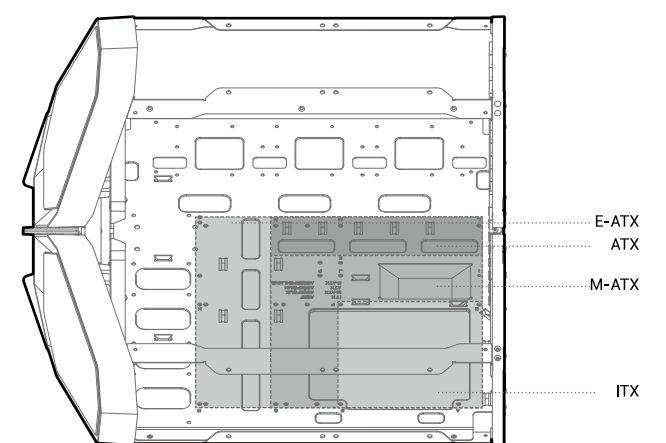
Specifications



Removing the Side Panel

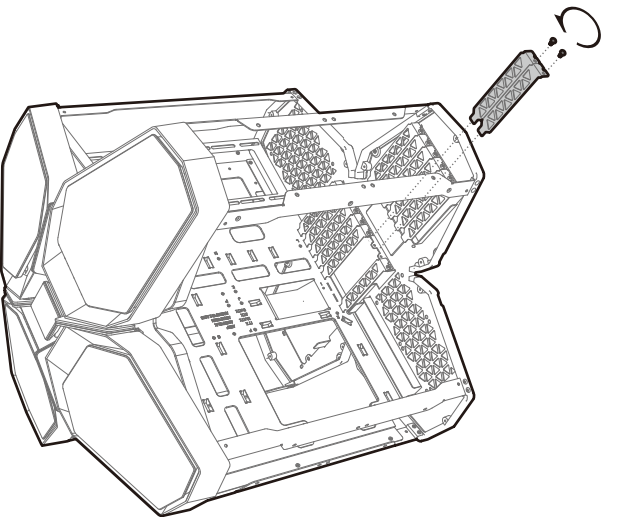


Installing the Motherboard

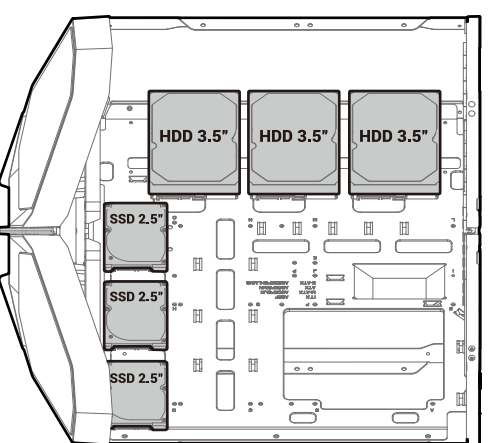


E-ATX
ATX
M-ATX
ITX

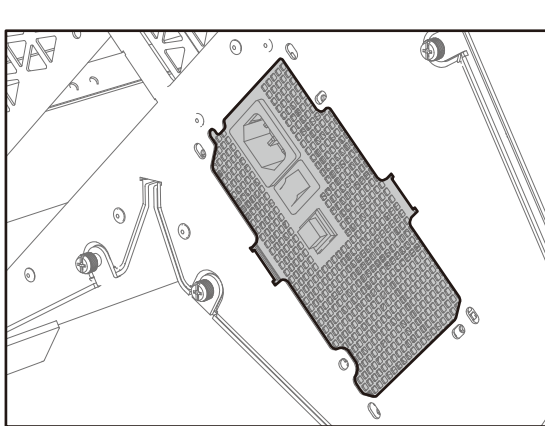
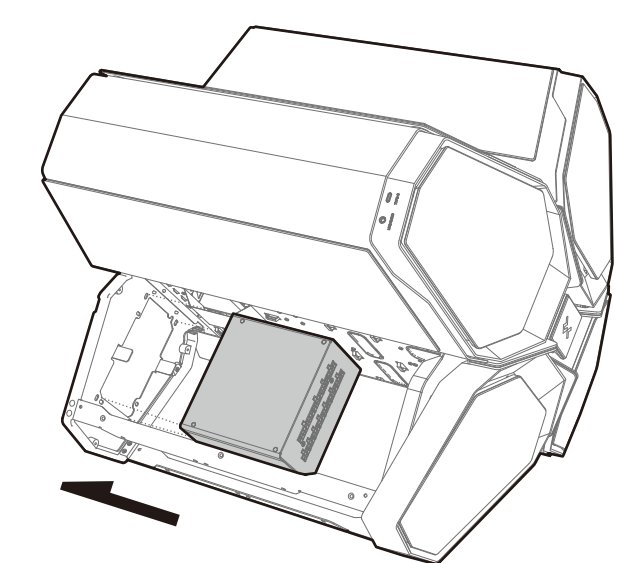
Installing the GPU



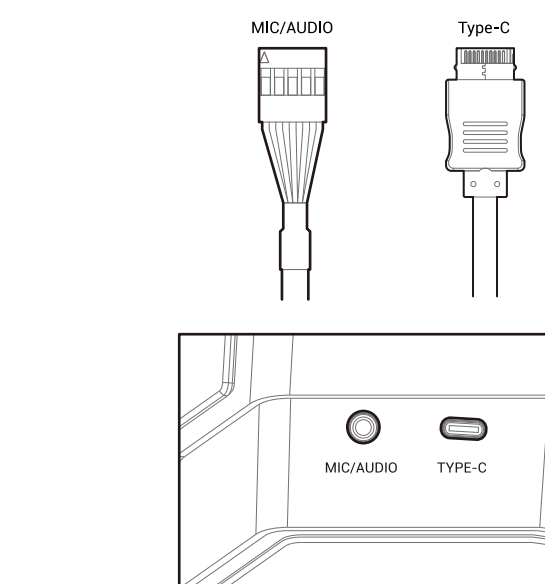
Installing HDD & SSDs



Installing the Power Supply



Installing the Front I/O Connectors



EN For more information, please check our website at: www.deepcool.com
DE Für weitere Informationen besuchen Sie bitte unsere Website unter: www.deepcool.com
FR Pour plus d'informations, merci de visiter notre site internet: www.deepcool.com
ES Para más información, por favor, visite nuestra página en: www.deepcool.com
IT Per ulteriori informazioni, visitate il nostro sito web: www.deepcool.com
PT Para mais informação, visita o nosso website em: www.deepcool.com
CS Další informace najdete na našich webových stránkách: www.deepcool.com
SV För mer information, gå till vår hemsida på: www.deepcool.com
PL Więcej informacji można znaleźć na naszej stronie internetowej: www.deepcool.com
TR Daha Fazla bilgi için, lütfen websitemizi ziyaret ediniz: www.deepcool.com
RU Больше информации на сайте: www.deepcool.com
UK Щоб отримати додаткову інформацію, перегляньте наш веб-сайт: www.deepcool.com
KK Көбірек ақпарат алу үшін біздің вебсайтымызға кіріңіз: www.deepcool.com
JA 詳細については、以下URL先の公式WEBサイトをご確認ください: www.deepcool.com
KO 자세한 내용은 www.deepcool.com 에서 확인하실 수 있습니다
AR للمزيد من المعلومات، يرجى زيارة موقعنا على www.deepcool.com
TH สำหรับข้อมูลเพิ่มเติมโปรดดูที่เว็บไซต์: www.deepcool.com
VI Để biết thêm chi tiết, vui lòng kiểm tra tại website: www.deepcool.com
ZH 如需要更多信息, 請瀏覽網站: www.deepcool.com
ZH 如需要更多信息, 請瀏覽網站: www.deepcool.com

DeepCool USA Inc.
11650 Mission Park Drive Suite 108., Rancho Cucamonga, CA 91730
Beijing DeepCool Industries Co., Ltd.
Building 10, No. 9 Dijin Road, Haidian District, Beijing 100095, China

© 2022 Beijing DeepCool Industries Co., Ltd. All rights reserved.
"DeepCool" and other commercial identities are legitimate registered trademarks and commercial identities of the trademarks owner and its affiliates in China and other countries or regions.
Pictures on this package are for reference only, please refer to the actual product.

