



FORZA 135

SUPERIOR DUAL TOWER AIR COOLER

SPECIFICATIONS 产品规格, 產品規格

Product Name 产品名称, 產品名稱	FORZA 135	
CPU Socket 支援 CPU 插座类型, 支援 CPU 插座類型	Intel Socket LGA 115X / 1366 / 1200 / 1700 / 2011 / 2066 (Core i3 / i5 / i7 / i9 CPU) AMD AM5 / AM4 / FM2 / FM1 / AM3+ / AM3 / AM2+ / AM2 CPU	
Heatsink 散热器, 散熱器		
CPU touched base CPU 散熱底座, CPU 散熱底座	Copper base with nickel plated 鍍镍銅底板导热技术, 鍍镍銅底板導熱技術	
Heat pipe diameter 热导管尺寸, 熱導管尺寸	6 mm	
Heat pipe number 热导管数量, 熱導管數量	7 units 7 根, 7 根	
Heat pipe finish 热导管表面, 熱導管表面	Copper with nickel plated 銅鍍镍, 銅鍍镍	
Craftsmanship 制作工艺 (热导管与散热鳍片) 製作工藝 (熱導管與散熱鳍片)	Reflow 回流焊, 回流焊	
Dimension (WxDxH) 尺寸(宽x深x高), 尺寸(寬x深x高)	128 x 140 x 160mm	
Weight 重量(不含风扇), 重量(不含風扇)	1041 g	
Weight Incl. Fan 重量(含风扇), 重量(含風扇)	1391 g	
Fans 风扇, 風扇		
Fan Model 风扇型号, 風扇型號	MHP120	MHP140-A
Dimensions (WxDxH) 尺寸(宽x深x高), 尺寸(寬x深x高)	120 x 120 x 25 mm	140 x 140 x 25 mm
Fan Speed 风扇转速, 風扇轉速	600-2000 RPM ± 200 RPM	500-1500 RPM ± 150 RPM
Air Flow 风量, 風量	82.48 CFM / 143.53 m3/h (± 10%)	72.93 CFM / 123.9 m3/h (± 10%)
Air Pressure 风压, 風壓	4.24 mm H2O±10%	2.11 mm H2O±10%
Acoustic Noise 风扇噪音, 風扇噪音	31.68 dB(A) (Max.)	38.5 dB(A) (Max.)
Rated Voltage 额定电压, 額定電壓	12 VDC	12 VDC
Rated Current 额定电流, 額定電流	0.23 A	0.18 A
Power Consumption 功耗, 功耗	2.76 W ± 10%	2.16 W ± 10%
Bearing Type 轴承型式, 軸承型式	HDB Hydro Dynamic Bearing HDB 动态液壓軸承, HDB 動態液壓軸承	HDB Hydro Dynamic Bearing HDB 动态液壓軸承, HDB 動態液壓軸承
Cable Length 电源线长度, 電源線長度	200 mm	200 mm
Connector & Control 控制连接类型, 控制連接類型	4 Pin PWM	4 Pin PWM

ACCESSORY KIT 零件包, 零件包

A CPU Cooler CPU 散熱器 CPU 散熱器	B-1 MHP 120 FAN x 1 MHP 120 風扇 x 1 MHP 120 風扇 x 1	B-2 MHP 140-A FAN x 1 MHP 140-A 風扇 x 1 MHP 140-A 風扇 x 1	C Backplate (for INTEL) 背板 (INTEL 專用) 背板 (INTEL 專用)		
D Backplate Screw x 4 (LGA115X / 1200 / 1366) 背板螺絲 x 4 (LGA115X / 1200 / 1366) 背板螺絲 x 4 (LGA115X / 1200 / 1366)	E Backplate Screw x 4 (LGA1700) 背板螺絲 x 4 (LGA1700) 背板螺絲 x 4 (LGA1700)	F Screw for INTEL LGA2011 x 4 INTEL LGA2011 專用螺絲 x 4 INTEL LGA2011 專用螺絲 x 4	G Plastic Stand-off x 4 (For Both INTEL / AMD) 塑膠柱 x 4 (INTEL / AMD 共用) 塑膠柱 x 4 (INTEL / AMD 共用)	H Plastic Spacer x 4 塑膠墊片 x 4 塑膠墊片 x 4	I Screw x 4 螺絲 x 4 螺絲 x 4
J Thumb Screw x 4 手动螺丝 x 4 手動螺絲 x 4	K Intel Bracket INTEL 支架 INTEL 支架	L AMD Bracket AMD 支架 AMD 支架	M Fan Clips x 6 (3 set) 风扇扣具 x 6 (3 组) 風扇扣具 x 6 (3 组)	N Thermal Paste 散熱膏 散熱膏	O Screwdriver 螺丝起子 螺絲起子

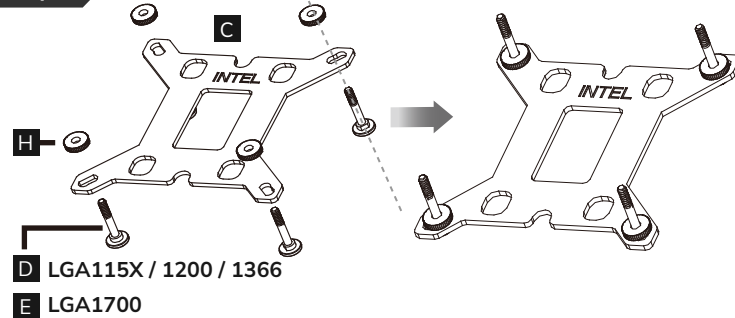
Intel

LGA1700 / 1200 / 115X / 1366

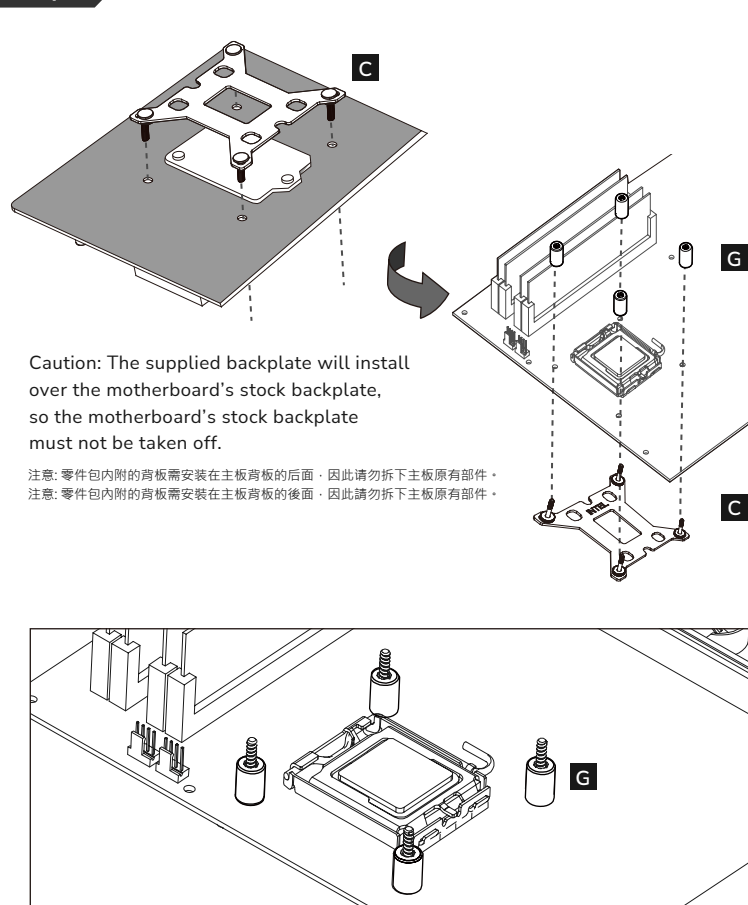
Intel

LGA1700 / 1200 / 115X / 1366

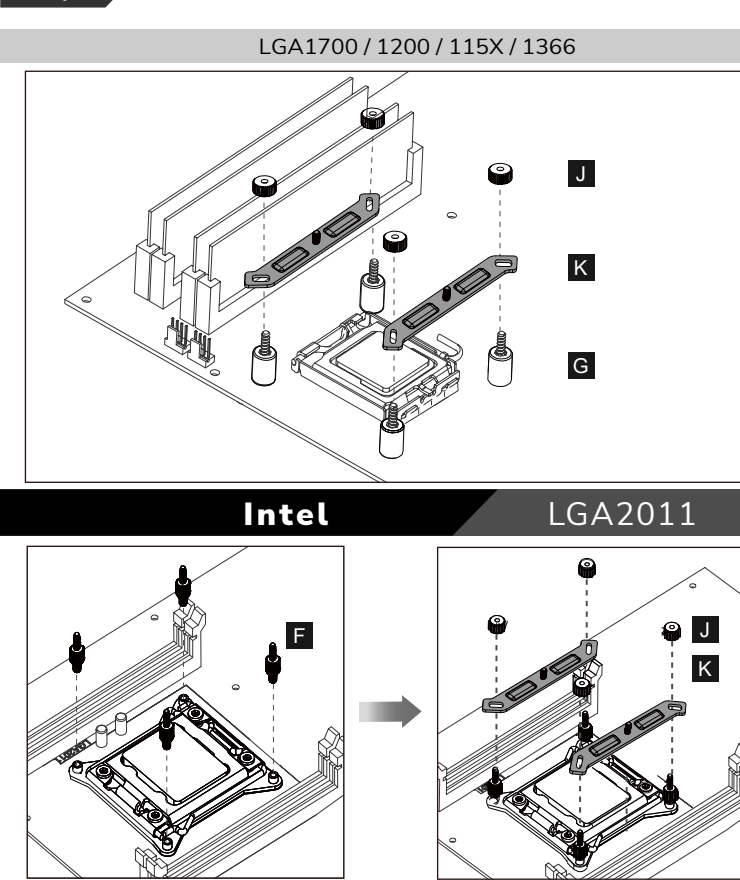
Step 1



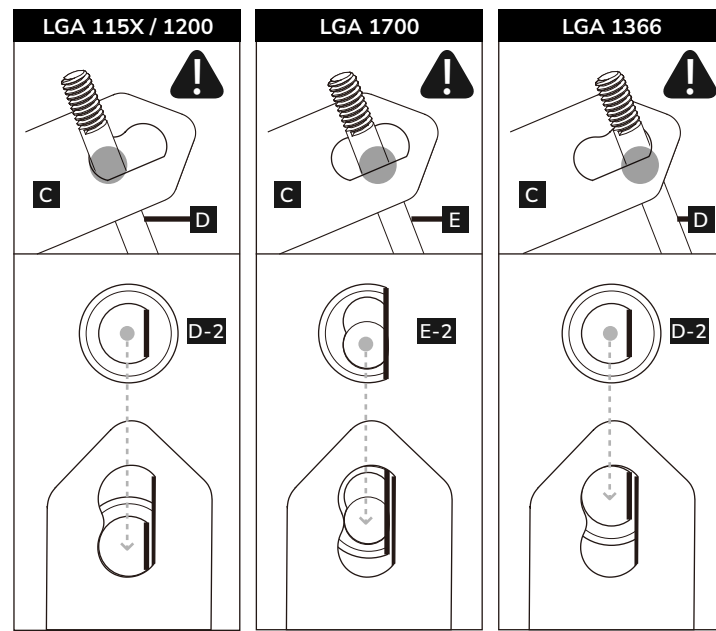
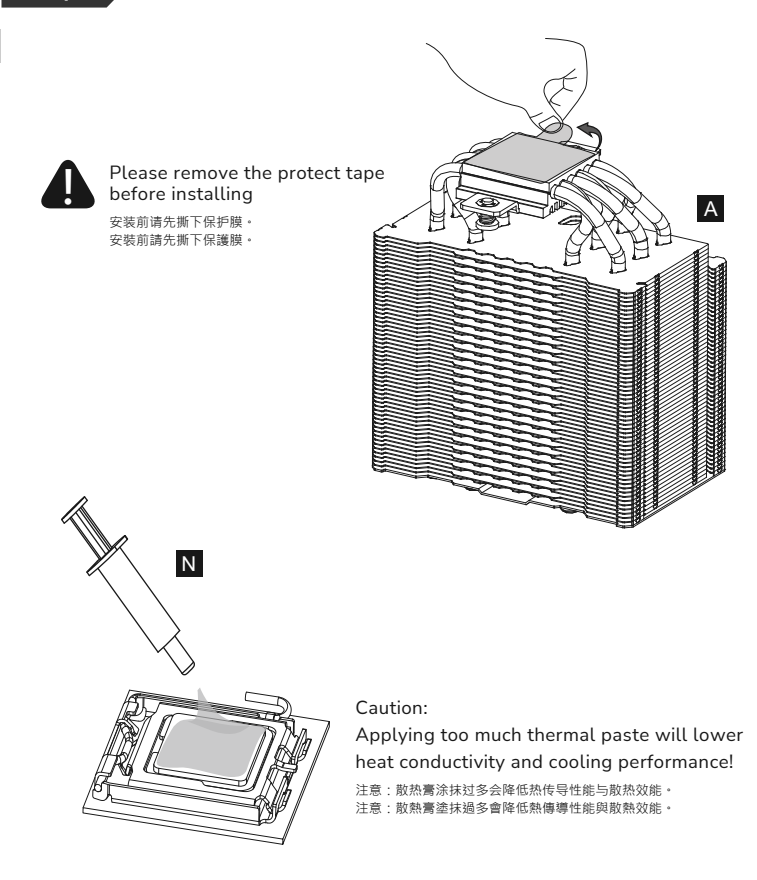
Step 2



Step 3

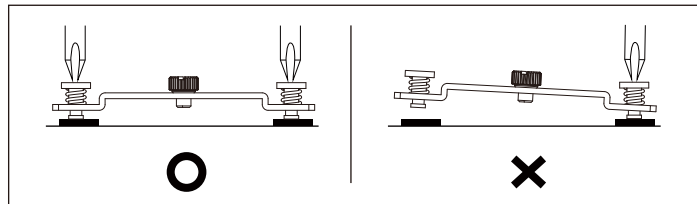
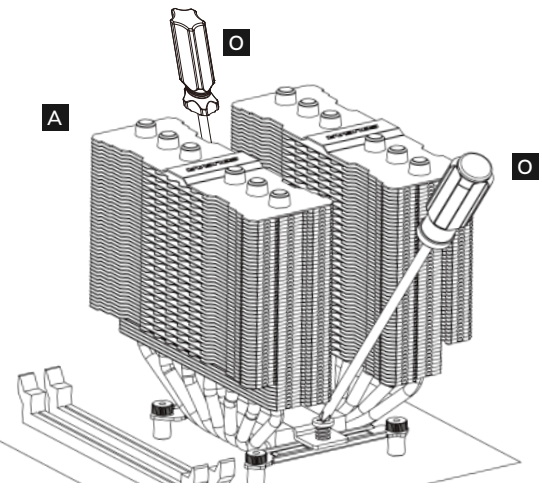


Step 4

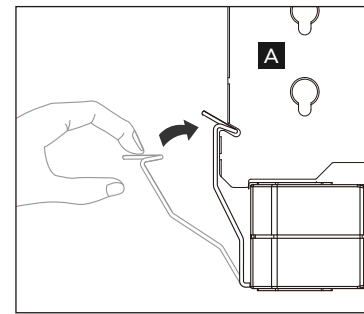


For LGA2011, screw the "Screw F" on the motherboard directly without the "Backplate C"
安裝LGA2011時, 請使用「F-螺絲」直接鎖固在主板上, 不需要搭配「C-背板」安裝。
安裝LGA2011時, 請使用「F-螺絲」直接鎖固在主板上, 不需要搭配「C-背板」安裝。

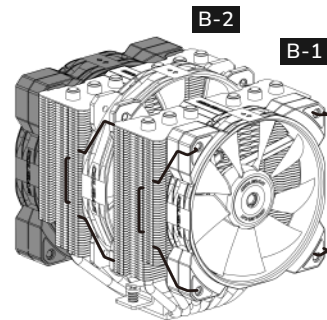
Step 5



Step 6



Attach the fan using the supplied steel clips for maximum cooling performance.
 请使用零件包內附的風扇扣具來安裝風扇，以達到最佳散熱效能。
 請使用零件包內附的風扇扣具來安裝風扇，以達到最佳散熱效能。

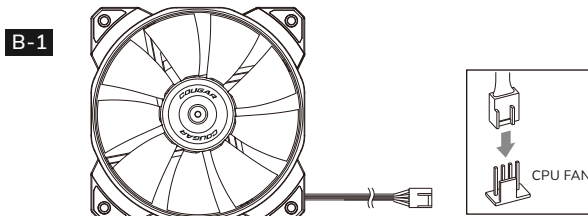
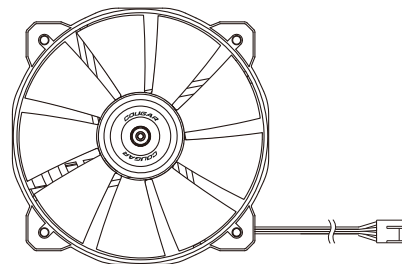


Forza 135 comes with an additional set of fan clips that allows for a third 120 mm fan of any brand to increase the heat dissipation efficiency of the Forza 135. To maximize the performance, we recommend a third COUGAR MHP 120 fan (sold separately).

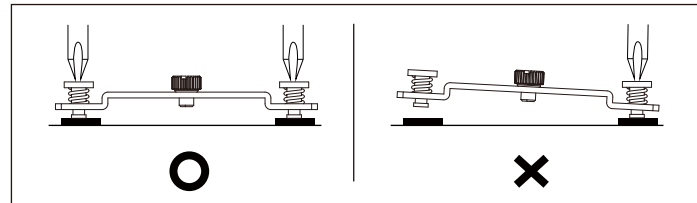
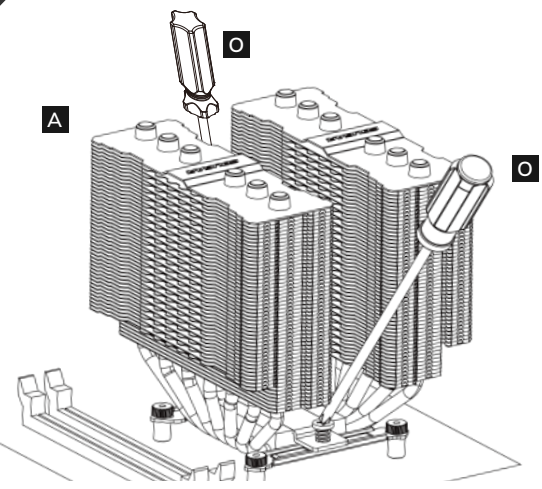
Forza 135零件包多附一組風扇扣具可支援所有品牌的120mm風扇，建議您可安裝第三個風扇以提升Forza 135的散熱效能。我們推薦您另外購買COUGAR MHP 120風扇以達到最佳散熱表現。

Forza 135零件包多附一組風扇扣具可支援所有品牌的120mm風扇，建議您可安裝第三個風扇以提升Forza 135的散熱效能。我們推薦您另外購買COUGAR MHP 120風扇以達到最佳散熱表現。

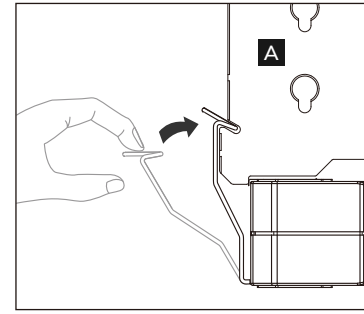
Step 7



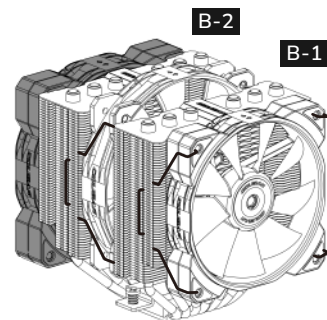
Step 5



Step 6



Attach the fan using the supplied steel clips for maximum cooling performance.
 请使用零件包內附的風扇扣具來安裝風扇，以達到最佳散熱效能。
 請使用零件包內附的風扇扣具來安裝風扇，以達到最佳散熱效能。

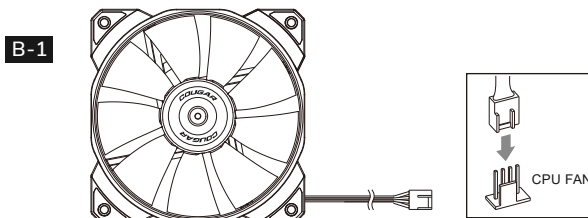
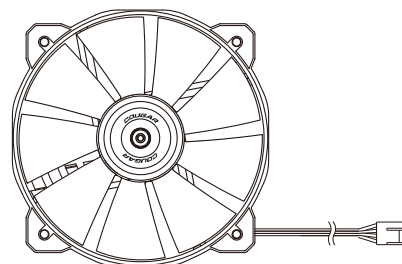


Forza 135 comes with an additional set of fan clips that allows for a third 120 mm fan of any brand to increase the heat dissipation efficiency of the Forza 135. To maximize the performance, we recommend a third COUGAR MHP 120 fan (sold separately).

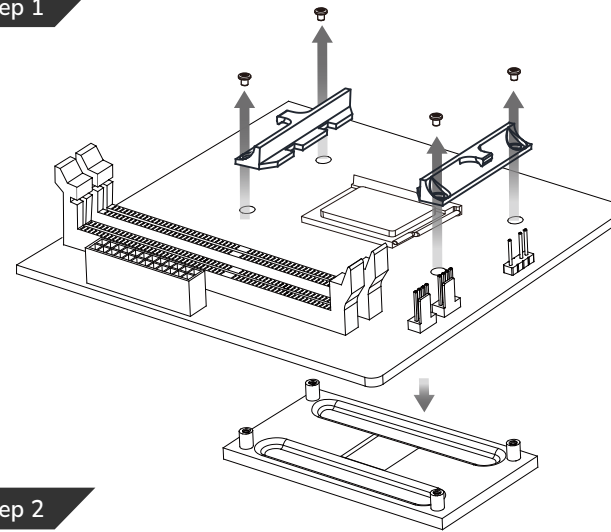
Forza 135零件包多附一組風扇扣具可支援所有品牌的120mm風扇，建議您可安裝第三個風扇以提升Forza 135的散熱效能。我們推薦您另外購買COUGAR MHP 120風扇以達到最佳散熱表現。

Forza 135零件包多附一組風扇扣具可支援所有品牌的120mm風扇，建議您可安裝第三個風扇以提升Forza 135的散熱效能。我們推薦您另外購買COUGAR MHP 120風扇以達到最佳散熱表現。

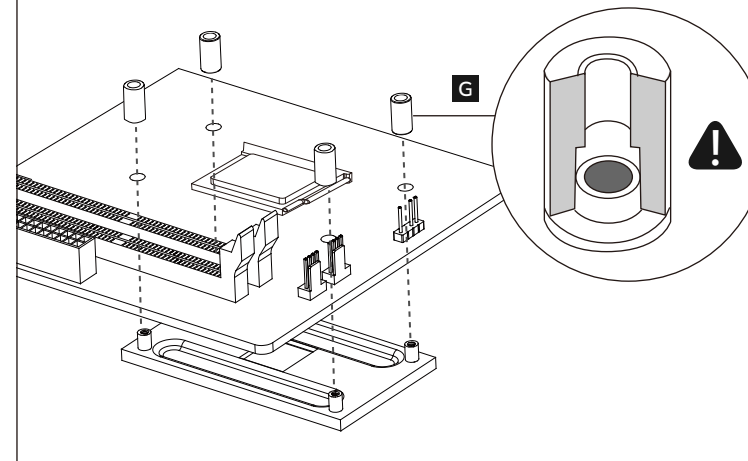
Step 7



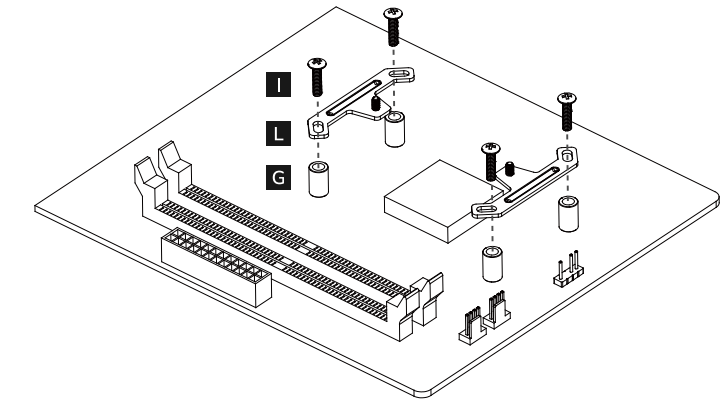
Step 1



Step 2



Step 3



Step 4



Caution: Applying too much thermal paste will lower heat conductivity and cooling performance!
 注意：散熱膏塗抹過多會降低熱傳導性能與散熱效能。
 注意：散熱膏塗抹過多會降低熱傳導性能與散熱效能。

Please remove the protect tape before installing
 安裝前請先撕下保護膜。
 安裝前請先撕下保護膜。

GLOBAL WARRANTY POLICY 全球保固條款，全球保固條款

WARRANTY PERIODS OF COUGAR GAMING DEVICES

Product : COUGAR Forza 135 single tower air cooler
 Warranty : 2 Years
 This warranty gives you specific legal rights. You may also have other rights granted under local law. These rights may vary.

COUGAR电竞产品保固期，COUGAR電競產品保固期
 产品名称，產品名稱：COUGAR Forza 135單塔散熱器，COUGAR Forza 135單塔散熱器
 保固期，保固期：2年，2年
 本保固條款賦予您特定的合法權利，而您所在的地區可能也會賦予您其他權利。
 本保固條款賦予您特定的合法權利，而您所在的地區可能也會賦予您其他權利。

WARRANTY AGREEMENT
 • If the product has defects in material or manufacture, COUGAR will provide product repair and replacement service within the warranty period.
 • Our warranty service is based on the date of the invoice or warranty card (must be affixed with the store stamp).
 • If you lose the aforementioned evidence, we will apply the original shipping date of the product as the beginning date of warranty period. The shipping date will be identified by the product serial number(S/N).

CONDITIONS WHERE FREE MAINTENANCE IS NOT PROVIDED

- Any fault or damage caused by natural disasters (including storm, fire, flood, thunder, earthquake, etc).
- Any fault or damage caused by accidental factors and man-made reasons (including hit, scrape, crash, moving, compression, stain, corrosion, use of incurred on unsuitable voltage, computer virus, riot, misuse, malicious damage, etc).
- Use in an improper operating environment (including high temperature, high humidity, water inflow, etc).
- Inability to provide the product warranty card, purchase receipt or invoice to prove the product is still within the warranty period and the shipping date of the product is out of warranty.
- The warranty card or product serial number has been altered or its number is hard to identify.
- The warranty period has expired.
- Any fault or damage caused by non-compliance with regulations stated on the user manual or improper, rough and careless treatment.
- Any fault or damage caused by use of parts not certified by COUGAR original manufacturer.
- The problem is caused by improper repair or adjustment by the buyer or any manufacturer without authorization from COUGAR.
- The product is not acquired from an authorized distributor of the company or is acquired from illicit sources.
- Paper carton, instruction and other accessories are not warranted.

DISCLAIMERS

- COUGAR product is not authorized for use as critical components in life support device or for incorrect application software or malfunction of the product.
- COUGAR is not liable for the death or damage of person or loss of property when product is using as, including but not limited to, medical equipment, military equipment, traffic equipment and disaster prevention system.
- COUGAR is not liable for any damages, expenses, lost data, lost revenues, lost savings, lost profits, or any incidental or consequential damages due to using defect product of COUGAR.

LEGAL NOTICES

This manual was created by Compucase Enterprise and may not be completely or partially copied, passed on, distributed or stored without written consent by Compucase Enterprise. COUGAR® is a registered brand of Compucase Enterprise. Other product and company names mentioned in this documentation may be brands or trademarks of their respective owners. Compucase Enterprise reserves the right to make changes concerning the contents of the manual and the technical data of the product without previous announcement.

ДАТА ИЗГОТОВЛЕНИЯ ПРОДУКЦИИ

год и месяц изготовления продукции указаны в серийном номере продукта. (существует 2 способа определения даты изготовления, оба способа описаны ниже)

А После S/N: первые две цифры означают год, вторые две – месяц изготовления. Например, S/N: H220200001 означает, что товар был произведен в феврале 2022 года.

Б После S/N: если указаны буквы, то две буквы представляют цифры из таблицы ниже, и означают год, последующие две цифры – месяц изготовления.

Например, S/N: DBB02REVI000001 означает, что товар был произведен в феврале 2022 года.

A	B	C	D	E	F	G	H	I	J
1	2	3	4	5	6	7	8	9	0

• Например, BB = 22 = 2022 год

• يجب تركيب كل قطعة بحذر و بمكانها المناسب.
 • من يقوم بعلمية التركيب الشخص المختص فقط.
 • تعليمات التركيب و الأمان:
 • عند التركيب أو التفكيك يجب التأكد من أن جميع الاسلاك مفضولة عن الكهرباء.
 • يجب اتخاذ الاحترازاات اللازمة لمنع الصعق الكهربائي.
 • يجب ارتداء الملابس المناسبة أثناء تركيب/ تجميع الكمبيوتر.

MANUFACTURER CONTACT

製造商联系方式，製造商聯繫方式



www.cougargaming.com

COUGAR USA Technical Service
 Tel: (833) 256-3778
 Mail:rma@compucaseusa.com



详细保固条件 請扫描二維碼 Official website

Compucase Enterprise Co.,Ltd.
 All rights reserved.

