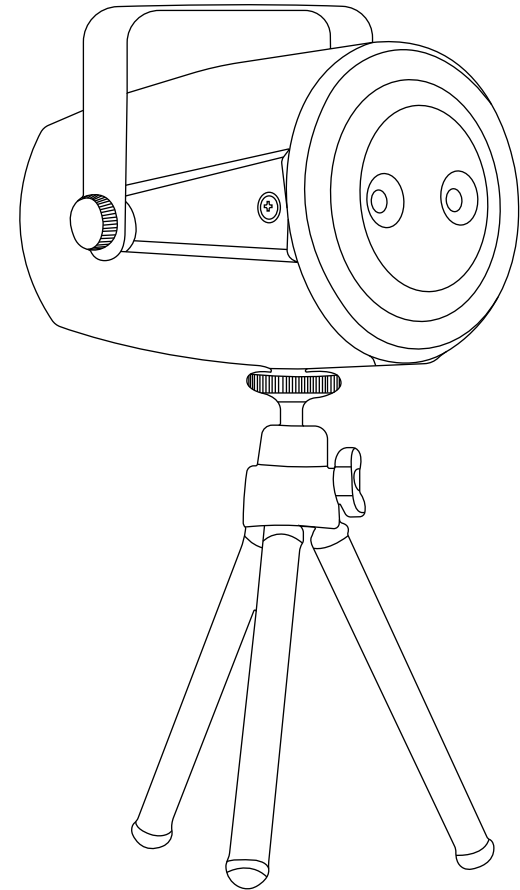




alienpro.com.mx



SUPER MINI

MANUAL DE USUARIO

Foreword

Thank you for purchasing this product. To optimize the performance of this product, prior to use, please read these operating instructions carefully to get yourself familiar with the basic operation of this unit. Please keep the manual in safe place for future reference.

This unit has been tested at our factory before being shipped to you, there is no assembly required.

Once after received this product, please take and put carefully. And check cautiously that whether the product was damaged or not during the transportation.

Checking Parts

Please check if the following parts are included:

- 1 x Laser Light
- 1 x Power Adapter
- 1 x User manual

Caution

Danger Laser Radiation!

Avoid direct eye exposure!

Laser radiation can cause eye damage or skin damage

All protective measures for a safe operation of this laser must be applied.

Installation

1. Please check the voltage whether is the same with the one showed on the equipment or not.
2. It must ask for the technical person and set the light safety when installation. And let the light beam at the suitable angle.
3. When install this equipment please make sure there's no flammable surfaces (decorated things, etc) within at least 2.5M and maintain minimum distance of 0.5M from the equipment to the walls.
4. Please make sure that there's no other equipment or decorating materials obstructed the exhaust fan and the vent-pipe.
5. Products should be install immobility.
6. In case of safety, it's very important that to connect the earth with line.

Attention

1. Please do not open the bottom cover yourself without permission. Operate it accord the user manual. Call the technician when the machine breaks down.
2. Please do not see the laser beam directly to avoid any damage.
3. Before connect or disconnect the power, please adjust the luminance of the laser diode to the least to avoid any damage to the laser diode.
4. This unit should be keep dry, do not use in the rain and dusty environment. It can be use in the outdoor with the water-proof cover protector.
5. Set the light immobility and try to avoid strong shake or hit.
6. Prevent dust into the equipment to avoid problems.
7. Please keep that there's no other equipment or decorating materials obstructed the exhaust fan and the vent-pipe when the equipment was working.
8. Before connect power, check the plug is immobility or not, power line should be connect well.
9. Please do not open or close the equipment frequently that's to avoid any affect to the life span of the laser diode, and try the best to avoid the long time working.
10. Due to the characteristic of the laser diode, after four hours working, it should be close at least 25 minutes until the laser diode cooling then work again.
11. Don't touch the light or draw the power line when your hand was wet. And do not pull the electronic power line.
12. Maintain the distance at least 3M above from the equipment to the object.
13. This equipment does not have any parts can repair for the users, please do not open the equipment.
14. When the laser diode became dim or damaged please contact the dealer timely.
15. When you want to retransfer the products, you'd better use the original package to shockproof.

Display Function Instruction

1. "On" means open light, "off" means close light
2. "Auto/Sound, can change control mode: sound active and auto play.
3. Adjust Sensitivity: Min/Max

Operation

Connect the power cable to the mains and turn on the "Auto" switch to choose Sound active or auto-play, You can control the music -sensitivity of the microphone with the min-max knob at the rear panel.

Sound Active

The change of the laser pattern is controlled by sound. That is, the rhythm of sound control the effect of the changing laser pattern. Turning the sensitivity knob in the clockwise direction to increase the fixture's sensitivity to sound. the knob in the counter clockwise direction to decrease. The laser diode will automatically turn off after 10 seconds when the music stops.

Auto-Play

Auto cycles the built-in programs without being controlled externally.

Turn the button to "Auto", the laser will be in auto-play mode.

Maintenance

Maintenance should be performed every 15-day period, by using a sponge which is dipped with alcohol, rather than wet cloth or other chemical liquid, to clean the mirror.

Always disconnect from the mains when the device is not in use or before cleaning it.

Warning

Power must be disconnected before maintenance or repair. Do not look at the light source directly

To prevent or reduce the risk of electrical shock or fire, do not expose this unit to high temperature/rain or moisture.

Note: Don't separate laser machine from laser power and repair them by yourself, otherwise no good repair service will be supplied.

Technical Specifications

1. Power Supply: DC 12V
2. Rated Power: 10W
3. Laser Power: Green: 30mw/532nm; Red: 100mw/650nm;
4. Working Mode: Sound Active/ Auto-play
5. Operating Temperature: -1°--35°
6. Storage Temperature: -10°--60°
7. Warm-Up Time: <15 min
8. Laser Classification: 3b
9. Modulation: TTL
10. Net Weight: 0.35KG
11. Gross Weight: 0.55KG
12. Packing Size: 19.5X14X9cm

Declaration

This device has left our premises in absolutely perfect condition. In order to maintain this condition and to ensure a safe operation, it is absolutely necessary for the user to follow the safety instructions and warning notes written in this user manual.

We cannot be made liable for damages caused by incorrect installations and unskilled operation!