



## Pocket Thermal Camera HIKMICRO PocketE Series

Quick Start Guide

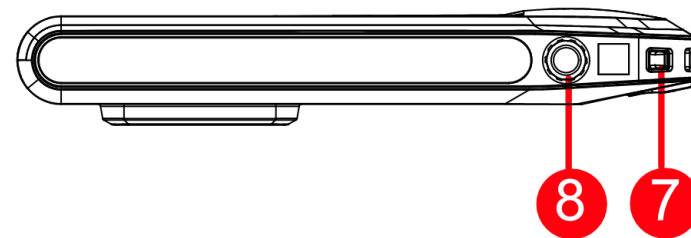
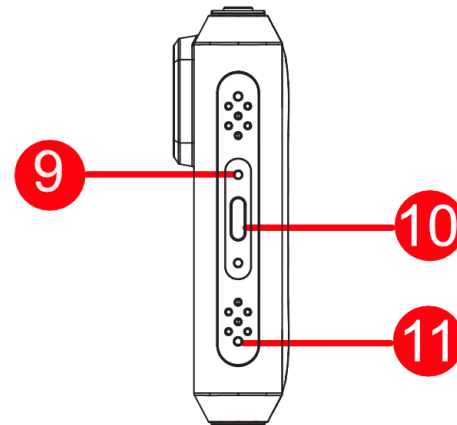
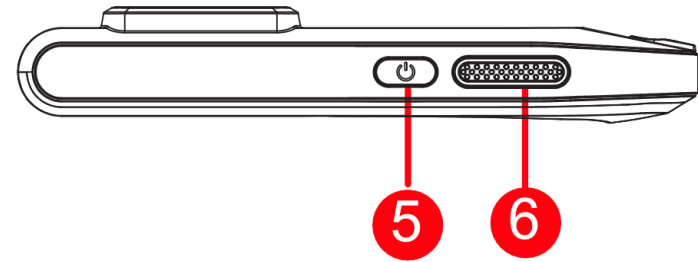
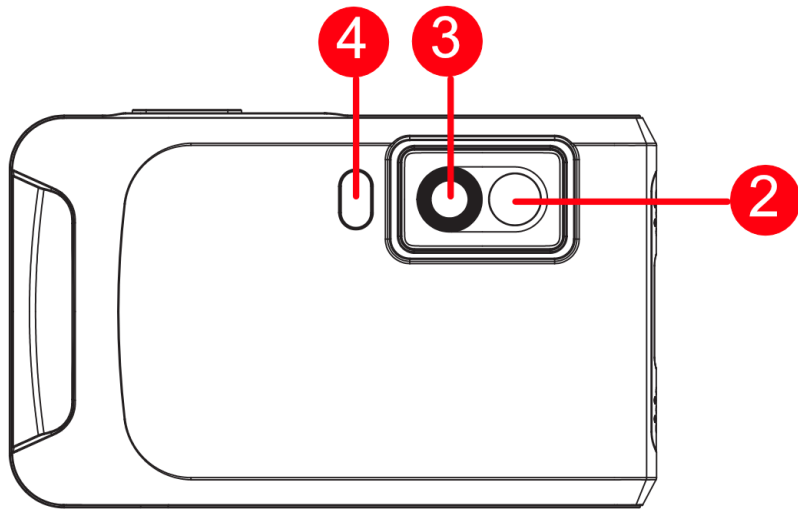
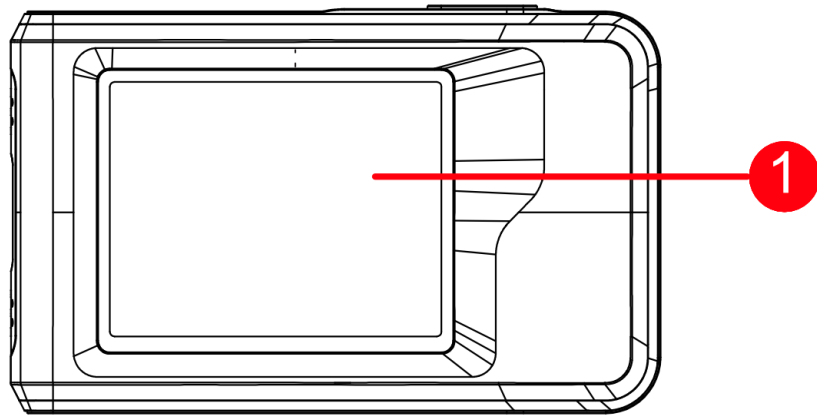


HIKMICRO Viewer Android

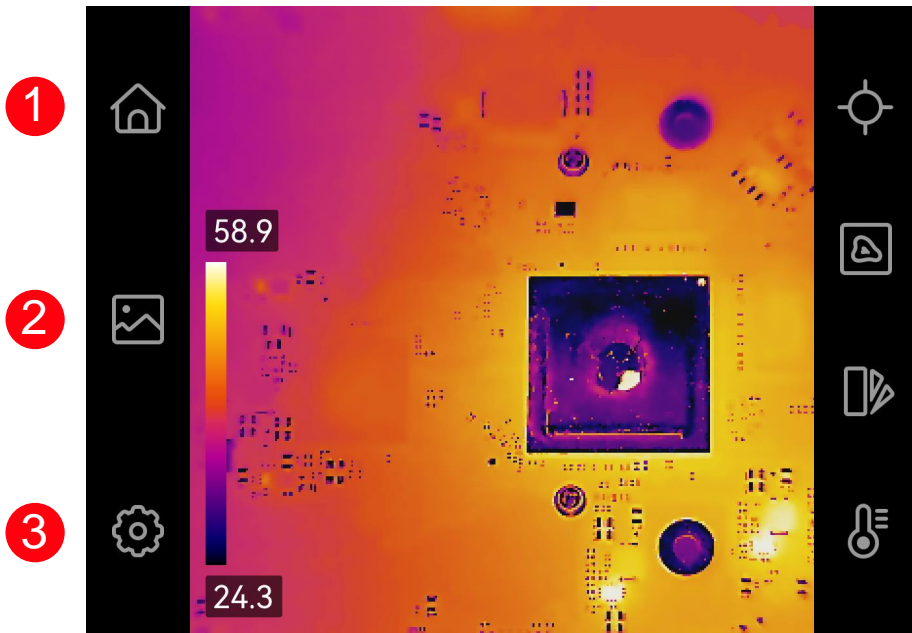


HIKMICRO Viewer iOS

<i>English</i>	1	<i>Norsk</i>	91
<i>Deutsch</i>	8	<i>Suomi</i>	97
<i>Français</i>	15	<i>Svenska</i>	104
<i>Español</i>	22	<i>Русский</i>	111
<i>Português</i>	29	<i>Türkçe</i>	118
<i>Italiano</i>	36	<i>日本語</i>	124
<i>Čeština</i>	43	<i>한국어</i>	131
<i>Slovenčina</i>	49	<i>繁體中文</i>	138
<i>Polski</i>	56		
<i>Magyar</i>	63		
<i>Română</i>	70		
<i>Nederlands</i>	77		
<i>Dansk</i>	84		



No.	Description	Function
1	Touch Control Screen	View image and operate device with touch control.
2	Visual Lens	View the optical image.
3	Thermal Lens	View the thermal image.
4	Flash Light	Fill light on objects and output flashing alarm.
5	Power Key	Hold to power on/off the device.
6	Capture Key	Press to capture an image. Hold to start recording a video and press again to stop.
7	Strap Attachment Point	Mount the wrist strap.
8	Tripod Mount	Mount the tripod.
9	Charging Indicator	Indicate the charging status of the device. <ul style="list-style-type: none"> <li>● Solid red: charging normally</li> <li>● Flashing red: charging exception</li> <li>● Solid green: fully charged</li> </ul>
10	Type-C Interface	Charge the device or export files with Type-C cable.
11	Microphone	Record audio.



- |   |              |   |
|---|--------------|---|
| 6 | Palettes     | Switch thermal image color palettes.                |
| 7 | Level & Span | Adjust temperature range for thermal image display. |

### Temperature Measurement

With the built-in high-sensitivity IR detector and high-performance sensor, the temperature measurement range is -20 °C to 350 °C (-4 °F to 662 °F), and the temperature measurement accuracy is  $\pm 2$  °C ( $\pm 3.6$  °F) or 2% when the ambient temperature is 15 °C to 35 °C (59 °F to 95 °F) and the object temperature is above 0 °C (32 °F).

### Swipe-down Menu

You can adjust the brightness in the swipe-down menu, and enable functions such as Wi-Fi, Hotspot, Screen Cast, flashlight, and Dark/Bright Mode.

### Client Software Connection

You can view live view, capture snapshots, and record videos via HIKMICRO Viewer app on your phone. Scan the QR codes on the cover to download the app. And you can download HIKMICRO Analyzer (<https://www.hikmicrotech.com/en/industrial-product/s/hikmicro-analyzer-software.html>) to analyze pictures offline professionally, and generate a custom format

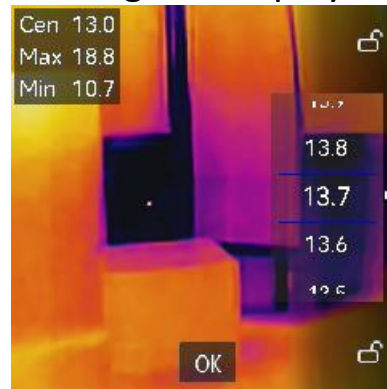
No.	Description	Function
1	Home	Tap to return to live view.
2	Albums	Enter albums to view captured images and videos.
3	Settings	Adjust device local settings.
4	Measurements	Turn on/off measurement tools.
5	Image Display Mode	Switch live image display mode from thermal, visual, fusion, etc.

report on your PC.

## Image Adjustment

The Level & Span can be manually or automatically adjusted to achieve a good thermal effect for better temperature difference analysis.

In auto mode, the device adjusts temperature range for display automatically. In manual mode, you can tap an interest area on screen, and scroll the temperature wheel to adjust the temperature range to display.



**Note:** Your camera will periodically perform a self-calibration to optimize image quality and measurement accuracy. In this process the image will pause briefly and you'll hear a “click” as a shutter moves in front of the detector. The prompt “Calibrating ...” appears in the upper center of the screen as the device is calibrating itself. The

self-calibration will be more frequent during start up or in very cold or hot environments. This is a normal part of operation to ensure optimum performance for your camera.

## User Manual

For detailed operation guidance, please scan the QR code to get the user manual.



## Legal Information


©2023 Hangzhou Microimage Software Co., Ltd. All rights reserved.

### About this Manual

The Manual includes instructions for using and managing the Product. Pictures, charts, images and all other information hereinafter are for description and explanation only. The information contained in the Manual is subject to change, without notice, due to firmware updates or other reasons. Please find the latest version of this Manual at the HIKMICRO website ([www.hikmicrotech.com/](http://www.hikmicrotech.com/)).

Please use this Manual with the guidance and assistance of professionals trained in supporting the Product.

### Trademarks Acknowledgement

 HIKMICRO and other HIKMICRO's trademarks and logos are the properties of HIKMICRO in various jurisdictions. Other trademarks and logos mentioned are the properties of their respective owners.

### LEGAL DISCLAIMER

TO THE MAXIMUM EXTENT PERMITTED BY APPLICABLE LAW, THIS MANUAL

AND THE PRODUCT DESCRIBED, WITH ITS HARDWARE, SOFTWARE AND FIRMWARE, ARE PROVIDED "AS IS" AND "WITH ALL FAULTS AND ERRORS". HIKMICRO MAKES NO WARRANTIES, EXPRESS OR IMPLIED, INCLUDING WITHOUT LIMITATION, MERCHANTABILITY, SATISFACTORY QUALITY, OR FITNESS FOR A PARTICULAR PURPOSE. THE USE OF THE PRODUCT BY YOU IS AT YOUR OWN RISK. IN NO EVENT WILL HIKMICRO BE LIABLE TO YOU FOR ANY SPECIAL, CONSEQUENTIAL, INCIDENTAL, OR INDIRECT DAMAGES, INCLUDING, AMONG OTHERS, DAMAGES FOR LOSS OF BUSINESS PROFITS, BUSINESS INTERRUPTION, OR LOSS OF DATA, CORRUPTION OF SYSTEMS, OR LOSS OF DOCUMENTATION, WHETHER BASED ON BREACH OF CONTRACT, TORT (INCLUDING NEGLIGENCE), PRODUCT LIABILITY, OR OTHERWISE, IN CONNECTION WITH THE USE OF THE PRODUCT, EVEN IF HIKMICRO HAS BEEN ADVISED OF THE POSSIBILITY OF SUCH DAMAGES OR LOSS. YOU ACKNOWLEDGE THAT THE NATURE OF THE INTERNET PROVIDES FOR INHERENT SECURITY RISKS, AND HIKMICRO SHALL NOT TAKE ANY RESPONSIBILITIES FOR ABNORMAL OPERATION, PRIVACY LEAKAGE OR OTHER DAMAGES RESULTING FROM CYBER-ATTACK, HACKER ATTACK, VIRUS INFECTION, OR OTHER INTERNET SECURITY RISKS; HOWEVER, HIKMICRO WILL PROVIDE TIMELY TECHNICAL SUPPORT IF REQUIRED. YOU AGREE TO USE THIS PRODUCT IN COMPLIANCE WITH ALL APPLICABLE LAWS, AND YOU ARE SOLELY RESPONSIBLE FOR ENSURING THAT YOUR USE CONFORMS TO THE APPLICABLE LAW. ESPECIALLY, YOU ARE RESPONSIBLE, FOR USING THIS PRODUCT IN A MANNER THAT DOES NOT INFRINGE ON THE RIGHTS OF THIRD PARTIES, INCLUDING WITHOUT LIMITATION, RIGHTS OF PUBLICITY, INTELLECTUAL PROPERTY RIGHTS, OR DATA PROTECTION AND OTHER PRIVACY RIGHTS. YOU SHALL NOT USE THIS PRODUCT FOR ANY PROHIBITED END-USES, INCLUDING THE DEVELOPMENT OR PRODUCTION OF WEAPONS OF MASS DESTRUCTION, THE DEVELOPMENT OR PRODUCTION OF CHEMICAL OR BIOLOGICAL WEAPONS, ANY ACTIVITIES IN THE CONTEXT RELATED TO ANY NUCLEAR EXPLOSIVE OR UNSAFE NUCLEAR FUEL-CYCLE, OR IN SUPPORT OF HUMAN RIGHTS ABUSES. IN THE EVENT OF ANY CONFLICTS BETWEEN THIS MANUAL AND THE APPLICABLE LAW, THE LATTER PREVAILS.


### Regulatory Information


---

**These clauses apply only to the products bearing the corresponding mark or information.**

---

### EU/UK Compliance Statement

 This product and - if applicable - the supplied accessories too are marked with "CE" and comply therefore with the applicable harmonized European standards listed under the Directive 2014/30/EU (EMCD), Directive 2014/35/EU (LVD), Directive 2011/65/EU (RoHS), Directive 2014/53/EU.

 This product and - if applicable - the supplied accessories too are marked with "UKCA" and comply therefore with the following directives: Radio Equipment Regulations 2017, Electromagnetic Compatibility Regulations 2016, Electrical Equipment (Safety) Regulations 2016, the Restriction of the Use of Certain Hazardous Substances in Electrical and Electronic Equipment Regulations 2012.

### Frequency Bands and Power (for CE/UK)

The frequency bands and transmitting power (radiated and/or conducted) nominal limits applicable to the following radio equipment are as follows:

**Wi-Fi:** 2.4 GHz (2.4 GHz to 2.4835 GHz): 20 dBm

For the device without a supplied power adapter, use the power adapter provided by a qualified manufacturer. Refer to the product specification for detailed power requirements.

For the device without a supplied battery, use the battery provided by a qualified manufacturer. Refer to the product specification for detailed battery requirements.



Directive 2012/19/EU (WEEE Directive): Products marked with this symbol cannot be disposed of as unsorted municipal waste in the European Union. For proper recycling, return this product to your local supplier upon the purchase of equivalent new equipment, or dispose of it at designated collection points. For more information see: [www.recyclethis.info](http://www.recyclethis.info)

According to the Waste Electrical and Electronic Equipment Regulations 2013: Products marked with this symbol cannot be disposed of as unsorted municipal waste in the United Kingdom. For proper recycling, return this product to your local supplier upon the purchase of equivalent new equipment, or dispose of it at designated collection points. For more information see: [www.recyclethis.info](http://www.recyclethis.info)





Directive 2006/66/EC and its amendment 2013/56/EU (Battery Directive): This product contains a battery that cannot be disposed of as unsorted municipal waste in the European Union. See the product documentation for specific battery information. The battery is marked with this symbol, which may include lettering to indicate cadmium (Cd), lead (Pb), or mercury (Hg). For proper recycling, return the battery to your supplier or to a designated collection point. For more information see: [www.recyclethis.info](http://www.recyclethis.info).

According to the Batteries and Accumulators (Placing on the Market) Regulations 2008 and the Waste Batteries and Accumulators Regulations 2009: This product contains a battery that cannot be disposed of as unsorted municipal waste in the United Kingdom. See the product documentation for specific battery information. The battery is marked with this symbol, which may include lettering to indicate cadmium (Cd), lead (Pb), or mercury (Hg). For proper recycling, return the battery to your supplier or to a designated collection point. For more information see: [www.recyclethis.info](http://www.recyclethis.info).

#### **Industry Canada ICES-003 Compliance**

This device meets the CAN ICES-003 (B)/NMB-003 (B) standards requirements.

This device complies with Industry Canada licence-exempt RSS standard(s). Operation is subject to the following two conditions:

- (1) this device may not cause interference, and
- (2) this device must accept any interference, including interference that may cause undesired operation of the device.

Le présent appareil est conforme aux CNR d'Industrie Canada applicables aux appareils radioexempts de licence. L'exploitation est autorisée aux deux conditions suivantes:

- (1) l'appareil ne doit pas produire de brouillage, et
- (2) l'utilisateur de l'appareil doit accepter tout brouillage radioélectrique subi, même si le brouillage est susceptible d'en compromettre le fonctionnement.

This equipment complies with IC RSS-102 radiation exposure limits set forth for an uncontrolled environment.

ce matériel est conforme aux limites de dose d'exposition aux rayonnements, CNR-102 énoncée dans un autre environnement.

#### **Safety Instruction**

These instructions are intended to ensure that user can use the product correctly to avoid danger or property loss.

#### **Laws and Regulations**

- Use of the product must be in strict compliance with the local electrical safety regulations.

#### **Transportation**

- Keep the device in original or similar packaging while transporting it.
- Keep all wrappers after unpacking them for future use. In case of any failure occurred, you need to return the device to the factory with the original wrapper. Transportation without the original wrapper may result in damage on the device and the company shall not take any responsibilities.
- Do not drop the product or subject it to physical shock. Keep the device away from magnetic interference.

#### **Power Supply**

- The input voltage should meet the Limited Power Source (3.85 VDC, 570 mA) according to the IEC61010-1 standard. Please refer to technical specifications for detailed information.
- Make sure the plug is properly connected to the power socket.
- DO NOT connect multiple devices to one power adapter, to avoid over-heating or fire hazards caused by overload.
- Use the power adapter provided by a qualified manufacturer. Refer to the product specification for detailed power requirements.

#### **Battery**

- Please charge the device for 3 hours before using for the first time.
- Improper use or replacement of the battery may result in explosion hazard. Replace with the same or equivalent type only. Dispose of used batteries in conformance with the instructions provided by the battery manufacturer.
- The built-in battery cannot be dismantled. Please contact the manufacture for repair if necessary.
- For long-term storage of the battery, make sure it is fully charged every half year to ensure the battery quality. Otherwise, damage may occur.
- Use the battery provided by a qualified manufacturer. Refer to the product specification for detailed battery requirements.
- DO NOT place the battery near heating or fire source. Avoid direct



sunlight.

- DO NOT swallow the battery to avoid chemical burns.
- DO NOT place the battery in the reach of children.
- When the device is powered off and the RTC battery is full, the time settings can be kept for 6 months.
- In the first use, charge the device for more than 2.5 hours in the power-off status.
- The battery voltage is 3.85 V, and the battery capacity is 2100 mAh.
- The battery is certified by UL2054.

### **Maintenance**

- If the product does not work properly, please contact your dealer or the nearest service center. We shall not assume any responsibility for problems caused by unauthorized repair or maintenance.
- A few device components (e.g., electrolytic capacitor) require regular replacement. The average lifespan varies, so periodic checking is recommended. Contact your dealer for details.
- Wipe the device gently with a clean cloth and a small quantity of ethanol, if necessary.
- If the equipment is used in a manner not specified by the manufacturer, the protection provided by the device may be impaired.

### **Calibration Service**

- We recommend you send the device back for calibration once a year, and please contact the local dealer for the information on maintenance points. For more detailed calibration services, please refer to <https://www.hikmicrotech.com/en/support/calibration-service.html>

### **Using Environment**

- DO NOT expose the device to extremely hot, cold, dusty, corrosive, saline-alkali, or damp environments. Make sure the running environment meets the requirement of the device. The operating temperature shall be -10 °C to 50 °C (14 °F to 122 °F), and the operating humidity shall be 95% or less.

- Place the device in a dry and well-ventilated environment.
- DO NOT expose the device to high electromagnetic radiation or dusty environments.
- DO NOT aim the lens at the sun or any other bright light.
- When any laser equipment is in use, make sure that the device lens is not exposed to the laser beam, or it may burn out.
- The device is suitable for indoor and outdoor uses, but do not expose it in wet conditions.
- The level of protection is IP 54.
- The pollution degree is 2.

### **Technical Support**

- <https://www.hikmicrotech.com/en/contact-us.html> portal will help you as a HIKMICRO customer to get the most out of your HIKMICRO products. The portal gives you access to our support team, software and documentation, service contacts, etc.

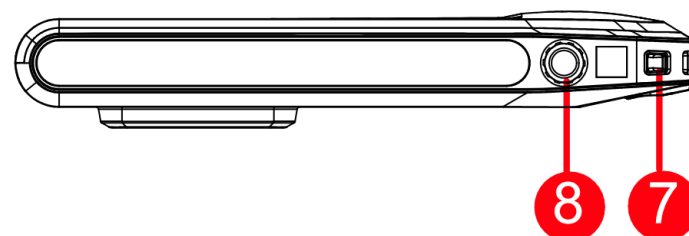
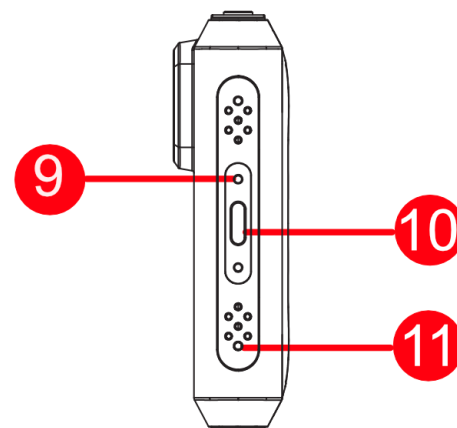
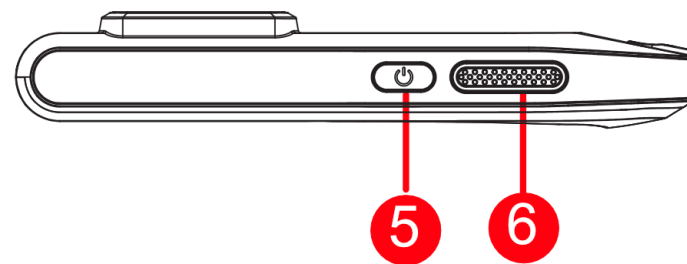
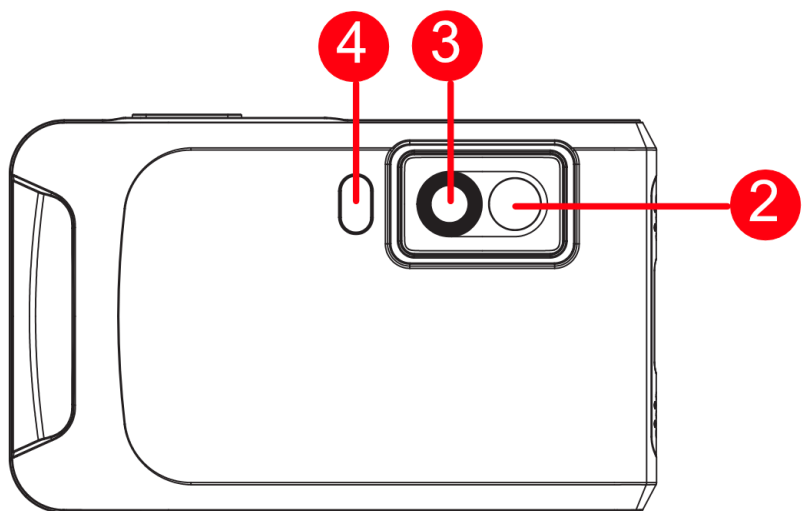
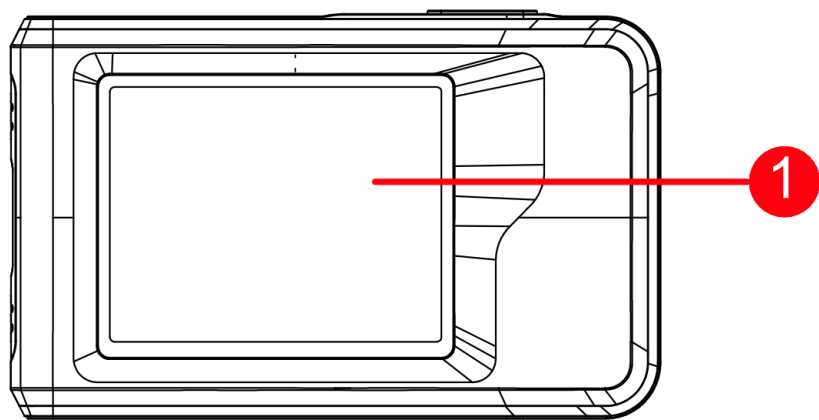
### **Emergency**

- If smoke, odor, or noise arises from the device, immediately turn off the power, unplug the power cable, and contact the service center.

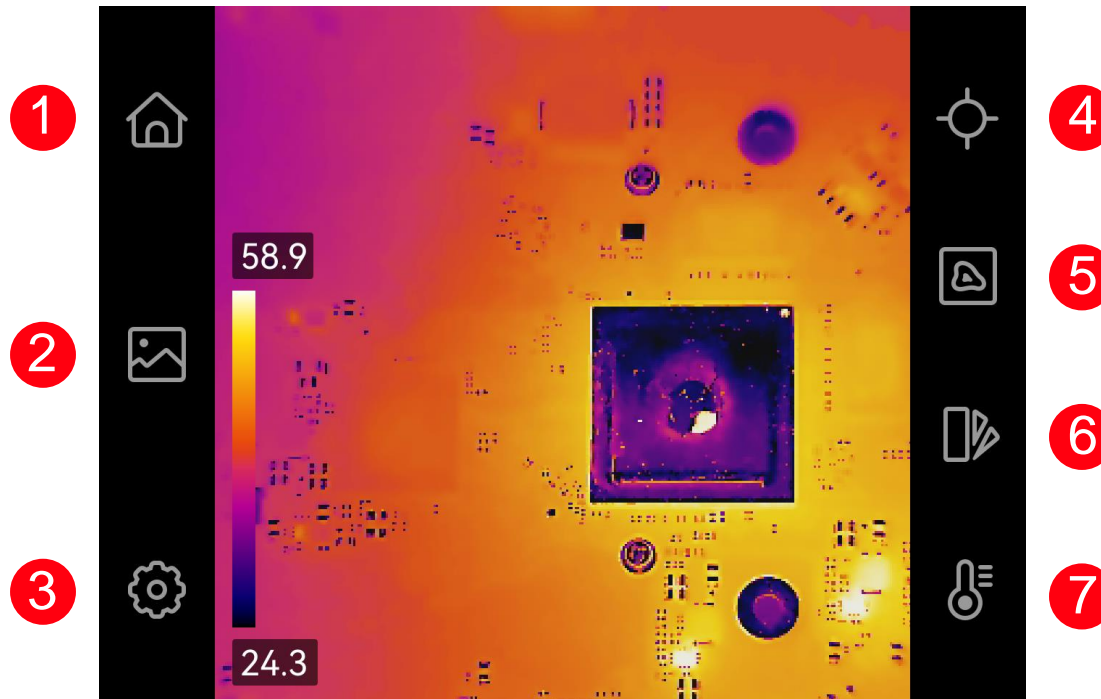
### **Manufacture Address**

Room 313, Unit B, Building 2, 399 Danfeng Road, Xixing Subdistrict, Binjiang District, Hangzhou, Zhejiang 310052, China  
Hangzhou Microimage Software Co., Ltd.

COMPLIANCE NOTICE: The thermal series products might be subject to export controls in various countries or regions, including without limitation, the United States, European Union, United Kingdom and/or other member countries of the Wassenaar Arrangement. Please consult your professional legal or compliance expert or local government authorities for any necessary export license requirements if you intend to transfer, export, re-export the thermal series products between different countries



Nr.	Beschreibung	Funktion
1	Touchscreen	Das Bild anzeigen und das Gerät per Touchsteuerung bedienen.
2	Optisches Objektiv	Optisches Bild anzeigen.
3	Wärmebildobjektiv	Wärmebild anzeigen.
4	Taschenlampe	Beleuchtet Objekte und gibt einen Blinkalarm aus.
5	Ein/Aus	Zum Ein- und Ausschalten des Geräts gedrückt halten.
6	Aufnahme	Antippen, um ein Bild aufzunehmen. Gedrückt halten, um die Aufnahme eines Videos zu starten, und erneut tippen, um sie zu beenden.
7	Riemenbefestigungspunkt	Zur Befestigung der Handschlaufe.
8	Befestigung für ein Stativ	Befestigung für ein Stativ.
9	Ladeanzeige	Zeigt den Ladestatus des Geräts an. <ul style="list-style-type: none"> <li>● Leuchtet rot: normaler Ladevorgang</li> <li>● Blinkt rot: Ausnahme beim Laden</li> <li>● Leuchtet grün: vollständig aufgeladen</li> </ul>
10	Type-C-Schnittstelle	Laden Sie mit dem Type-C-Kabel das Gerät auf oder exportieren Sie Dateien.
11	Mikrofon	Audio aufnehmen.



Nr.	Beschreibung	Funktion
1	Startseite	Antippen, um zur Live-Ansicht zurückzukehren.
2	Alben	Alben aufrufen, um aufgenommene Bilder und Videos anzuzeigen.
3	Einstellungen	Die lokalen Einstellungen des Geräts anpassen.
4	Messungen	Messwerkzeuge ein-/ausschalten.
5	Bildanzeigemodus	Zwischen den Anzeigemodi für Live-Bilder umschalten: Wärmebild, optisches Bild, Fusion usw.
6	Paletten	Zwischen den Farbpaletten für Wärmebilder umschalten.
7	Pegel und Spanne	Temperaturbereich für die Anzeige von Wärmebilder einstellen.

## Temperaturmessung

Der Temperaturmessbereich beträgt mit dem eingebauten hochempfindlichen IR-Detektor und dem Hochleistungssensor -20 °C bis +350 °C. Die Temperaturmessgenauigkeit beträgt  $\pm 2$  °C oder 2 %, wenn die Umgebungstemperatur zwischen +15 °C und +35 °C sowie die Objekttemperatur über 0 °C liegt.

## Nach-unten-wischen-Menü

Sie können die Helligkeit im Nach-unten-wischen-Menü einstellen und Funktionen wie WLAN, Hotspot, Bildschirmübertragung, Taschenlampe und Dunkel/Hell-Modus aktivieren.

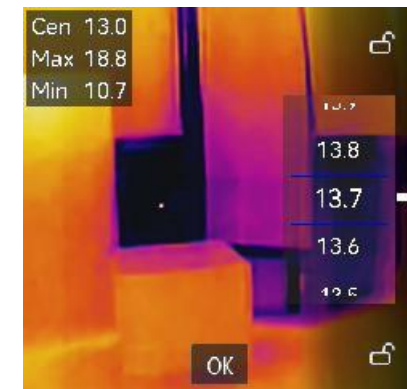
## Client-Software-Verbindung

Sie können auf Ihrem Handy über die HIKMICRO Viewer-App die Live-Ansicht anzeigen, Fotos erfassen und Videos aufnehmen. Scannen Sie die QR-Codes auf der Abdeckung, um die App herunterzuladen. Und Sie können den HIKMICRO Analyzer (<https://www.hikmicrotech.com/en/industrial-product/hikmicro-analyzer-software.html>) herunterladen, um Bilder offline professionell zu analysieren und einen Bericht im benutzerdefinierten Format auf Ihrem PC zu erstellen.

## Bildeinstellung

Pegel und Spanne können manuell oder automatisch eingestellt werden, um einen guten thermischen Effekt für eine bessere Temperaturdifferenzanalyse zu erzielen.

Im Automatikmodus stellt das Gerät den anzuzeigenden Temperaturbereich automatisch ein. Im manuellen Modus können Sie auf einen interessanten Bereich des Bildschirms tippen und mit dem Temperaturread den anzuzeigenden Temperaturbereich einstellen.



**Hinweis:** Ihre Kamera führt in regelmäßigen Abständen eine Selbstkalibrierung durch, um Bildqualität und Messgenauigkeit zu optimieren. Bei diesem Vorgang wird stoppt das Bild kurz und Sie hören einen

„Klickton“, wenn sich ein Verschluss vor dem Detektor bewegt. Die Aufforderung „Kalibrierung...“ erscheint in der oberen Mitte des Bildschirms, während sich das Gerät selbst kalibriert. Die Selbstkalibrierung findet während des Startvorgangs oder in sehr kalten oder heißen Umgebungen häufiger statt. Dies ist ein normaler Vorgang, um die optimale Leistung Ihrer Kamera zu erzielen.

## Benutzerhandbuch

Scannen Sie für eine ausführliche Anleitung bitte den QR-Code, um das Benutzerhandbuch herunterzuladen.



## Rechtliche Informationen

### HAFTUNGSAUSSCHLUSS

DIESE BEDIENUNGSANLEITUNG UND DAS BESCHRIEBENE PRODUKT MIT SEINER HARDWARE, SOFTWARE UND FIRMWARE WERDEN, SOWEIT GESETZLICH ZULÄSSIG, IN DER „VORLIEGENDEN FORM“ UND MIT „ALLEN FEHLERN UND IRRTÜMERN“ BEREITGESTELLT. HIKMICRO GIBT KEINE GARANTIE, WEDER AUSDRÜCKLICH NOCH STILLSCHWEIGEND, EINSCHLIEßLICH, ABER OHNE DARAUF BESCHRÄNKT ZU SEIN, MARKTGÄNGIGKEIT, ZUFRIEDENSTELLENDEN QUALITÄT ODER EIGNUNG FÜR EINEN BESTIMMTEN ZWECK. DIE NUTZUNG DES PRODUKTS DURCH SIE ERFOLGT AUF IHRE EIGENE GEFAHR. IN KEINEM FALL IST HIKMICRO IHNEN GEGENÜBER HAFTBAR FÜR BESONDERE, ZUFÄLLIGE, DIREKTE ODER

INDIREKTE SCHÄDEN, EINSCHLIEßLICH, ABER OHNE DARAUF BESCHRÄNKT ZU SEIN, VERLUST VON GESCHÄFTSGEWINNEN, GESCHÄFTSUNTERBRECHUNG, DATENVERLUST, SYSTEMBESCHÄDIGUNG, VERLUST VON DOKUMENTATIONEN, SEI ES AUFGRUND VON VERTRAGSBRUCH, UNERLAUBTER HANDLUNG (EINSCHLIEßLICH FAHRLÄSSIGKEIT), PRODUKTHAFTUNG ODER ANDERWEITIG, IN VERBINDUNG MIT DER VERWENDUNG DIESES PRODUKTS, SELBST WENN HIKMICRO ÜBER DIE MÖGLICHKEIT DERARTIGER SCHÄDEN ODER VERLUSTE INFORMIERT WAR.

SIE ERKENNEN AN, DASS DIE NATUR DES INTERNETS DAMIT VERBUNDENE SICHERHEITSRISIKEN BEINHÄLTET. HIKMICRO ÜBERNIMMT KEINE VERANTWORTUNG FÜR ANORMALEN BETRIEB, DATENVERLUST ODER ANDERE SCHÄDEN, DIE SICH AUS CYBERANGRIFFEN, HACKERANGRIFFEN, VIRUSINFESTION ODER ANDEREN SICHERHEITSRISIKEN IM INTERNET ERGEBEN. HIKMICRO WIRD JEDOCH BEI BEDARF ZEITNAH TECHNISCHEM SUPPORT LEISTEN.

SIE STIMMEN ZU, DIESES PRODUKT IN ÜBEREINSTIMMUNG MIT ALLEN GELTENDEN GESETZEN ZU VERWENDEN, UND SIE SIND ALLEIN DAFÜR VERANTWORTLICH, DASS IHRE VERWENDUNG GEGEN KEINE GELTENDEN GESETZE VERSTÖßT. INSBESONDERE SIND SIE DAFÜR VERANTWORTLICH, DIESES PRODUKT SO ZU VERWENDEN, DASS DIE RECHTE DRITTER NICHT VERLETZT WERDEN, EINSCHLIEßLICH, ABER NICHT BESCHRÄNKT AUF VERÖFFENTLICHUNGSRECHTE, DIE RECHTE AN GEISTIGEM EIGENTUM ODER DEN DATENSCHUTZ UND ANDERE PERSÖNLICHKEITSRECHTE. SIE DÜRFEN DIESES PRODUKT NICHT FÜR VERBOTENE ENDANWENDUNGEN VERWENDEN, EINSCHLIEßLICH DER ENTWICKLUNG ODER HERSTELLUNG VON MASSENVERNICHTUNGSWAFFEN, DER ENTWICKLUNG ODER HERSTELLUNG CHEMISCHER ODER BIOLOGISCHER WAFFEN, JEDLICHER AKTIVITÄTEN IM ZUSAMMENHANG MIT EINEM NUKLEAREN SPRENGKÖRPER ODER UNSICHEREN NUKLEAREN BRENNSTOFFKREISLAUF BZW. ZUR UNTERSTÜTZUNG VON MENSCHENRECHTSVERLETZUNGEN. IM FALL VON WIDERSPRÜCHEN ZWISCHEN DIESER BEDIENUNGSANLEITUNG UND GELTENDEM RECHT IST LETZTERES MASSGEBLICH.

### Behördliche Informationen


---

**Diese Bestimmungen gelten nur für Produkte, die das entsprechende Zeichen oder die entsprechenden Informationen tragen.**

---



## EU/UK-Konformitätserklärung

 Dieses Produkt und – gegebenenfalls – das mitgelieferte Zubehör tragen das „CE“-Kennzeichen und entsprechen daher den geltenden harmonisierten europäischen Normen, die in der Richtlinie 2014/30/EU (EMV), der Richtlinie 2014/35/EU (NSR), der Richtlinie 2011/65/EU (RoHS) und der Richtlinie 2014/53/EU (RED) aufgeführt sind.

## Frequenzbänder und Leistung (für CE/UK)

Die für das folgende Funkgerät geltenden Frequenzbänder und die nominalen Grenzwerte für die Sendeleistung (gestrahlt und/oder leitungsgeführt) sind wie folgt:

**WLAN:** 2,4 GHz (2,4 GHz bis 2,4835 GHz): 20 dBm

Verwenden Sie bei einem Gerät ohne mitgeliefertes Netzteil nur ein Netzteil von einem zugelassenen Hersteller. Detaillierte Angaben zum Strombedarf finden Sie in der Produktspezifikation.

Verwenden Sie bei einem Gerät ohne mitgelieferte Batterien nur Batterien/Akkus von einem zugelassenen Hersteller. Detaillierte Angaben zu den Batterie-/Akku-Anforderungen finden Sie in der Produktspezifikation.



Richtlinie 2012/19/EU (WEEE-richtlinie): Produkte, die mit diesem Symbol gekennzeichnet sind, dürfen innerhalb der Europäischen Union nicht mit dem Hausmüll entsorgt werden. Für korrektes Recycling geben Sie dieses Produkt an Ihren örtlichen Fachhändler zurück oder entsorgen Sie es an einer der Sammelstellen. Weitere Informationen finden Sie unter: [www.recyclethis.info](http://www.recyclethis.info).



Richtlinie 2006/66/EC und ihre Änderung 2013/56/EU (batterierichtlinie): Dieses Produkt enthält einen Akku, der innerhalb der Europäischen Union nicht mit dem Hausmüll entsorgt werden darf. Siehe Produktdokumentation für spezifische Hinweise zu Akkus oder Batterien. Der Akku ist mit diesem Symbol gekennzeichnet, das zusätzlich die Buchstaben Cd für Cadmium, Pb für Blei oder Hg für Quecksilber enthalten kann. Für korrektes Recycling geben Sie die Akkus/Batterien an Ihren örtlichen Fachhändler zurück oder entsorgen Sie sie an einer der Sammelstellen. Weitere Informationen finden Sie unter: [www.recyclethis.info](http://www.recyclethis.info).

## Sicherheitshinweis

Diese Anleitungen sollen gewährleisten, dass Sie das Produkt korrekt verwenden, um Gefahren oder Sachschäden zu vermeiden.

## Gesetze und Vorschriften

- Die Verwendung des Produkts muss in strikter Übereinstimmung mit den örtlichen Vorschriften zur elektrischen Sicherheit erfolgen.

## Transportwesen

- Bewahren Sie das Gerät beim Transport in der ursprünglichen oder einer vergleichbaren Verpackung auf.
- Bewahren Sie das gesamte Verpackungsmaterial nach dem Auspacken für zukünftigen Gebrauch auf. Im Falle eines Fehlers müssen Sie das Gerät in der Originalverpackung an das Werk zurücksenden. Beim Transport ohne Originalverpackung kann das Gerät beschädigt werden und wir übernehmen keine Verantwortung.
- Lassen Sie das Produkt nicht fallen und vermeiden Sie heftige Stöße. Halten Sie das Gerät von magnetischen Störungen fern.

## Spannungsversorgung

- Die Eingangsspannung muss einer Stromquelle mit begrenzter Leistung (3,85 V DC, 570 mA) gemäß der Norm IEC61010-1 entsprechen. Siehe technische Daten für detaillierte Informationen.
- Stellen Sie sicher, dass der Stecker richtig in der Steckdose steckt.
- Verbinden Sie NICHT mehrere Geräte mit einem Netzteil, da es andernfalls durch Überlastung zu einer Überhitzung oder einem Brand kommen kann.
- Verwenden Sie das von einem zugelassenen Hersteller mitgelieferte Netzteil. Detaillierte Angaben zum Strombedarf finden Sie in der Produktspezifikation.

## Akku

- Bitte laden Sie das Gerät 3 Stunden lang auf, bevor Sie es zum ersten Mal benutzen.
- Wenn der Akku unsachgemäß verwendet oder ausgetauscht wird, besteht möglicherweise Explosionsgefahr. Tauschen Sie stets gegen den gleichen oder äquivalenten Typ aus. Entsorgen Sie verbrauchte Akkus entsprechend den Anweisungen des Akkuherstellers.
- Der integrierte Akku darf nicht demontiert werden. Wenden Sie sich gegebenenfalls zur Reparatur an den Hersteller.
- Achten Sie bei langfristiger Lagerung des Akkus darauf, dass er alle sechs



Monate vollständig geladen wird, um seine Lebensdauer zu gewährleisten. Anderenfalls kann es zu Schäden kommen.

- Verwenden Sie nur einen von einem qualifizierten Hersteller gelieferten Akku. Detaillierte Angaben zu den Batterie-/Akku-Anforderungen finden Sie in der Produktspezifikation.
- Lagern Sie den Akku NICHT in unmittelbarer Nähe einer Wärme- oder Feuerquelle. Keinem direkten Sonnenlicht aussetzen.
- Den Akku NICHT verschlucken, es besteht Verätzungsgefahr.
- Bewahren Sie den Akku NICHT in der Reichweite von Kindern auf.
- Wenn das Gerät ausgeschaltet und der RTC-Akku voll ist, bleiben die Zeiteinstellungen 6 Monate lang erhalten.
- Laden Sie das Gerät bei der ersten Verwendung länger als 2,5 Stunden im ausgeschalteten Zustand auf.
- Der Akku hat eine Spannung von 3,85 V und eine Kapazität von 2100 mAh.
- Er ist nach UL2054 zertifiziert.

### **Wartung**

- Falls das Produkt nicht einwandfrei funktionieren sollte, wenden Sie sich an Ihren Händler oder den nächstgelegenen Kundendienst. Wir übernehmen keine Haftung für Probleme, die durch nicht Reparatur- oder Instandhaltungsarbeiten von nicht autorisierten Dritten verursacht werden.
- Einige Gerätekomponenten (z. B. Elektrolytkondensator) müssen regelmäßig ausgetauscht werden. Die durchschnittliche Lebensdauer variiert, weshalb eine regelmäßige Prüfung empfohlen wird. Einzelheiten erfahren Sie von Ihrem Händler.
- Wischen Sie das Gerät bei Bedarf sanft mit einem sauberen Tuch und einer geringen Menge Ethanol ab.
- Wenn das Gerät nicht vom Hersteller vorgegebenem Sinne genutzt wird, kann der durch das Gerät bereitgestellte Schutz beeinträchtigt werden.

### **Kalibrierungsdienst**

- Wir empfehlen Ihnen, das Gerät einmal im Jahr zur Kalibrierung einzusenden. Wenden Sie sich bitte an Ihren Händler vor Ort, um Informationen zu den Wartungspunkten zu erhalten. Weitere Informationen zum Kalibrierungsdienst finden Sie auf <https://www.hikmicrotech.com/en/support/calibration-service.html>

### **Einsatzumgebung**

- Setzen Sie das Gerät NICHT extrem heißen, kalten, staubigen, korrosiven,

salzhaltigen, alkalischen oder feuchten Umgebungen aus. Achten Sie darauf, dass die Betriebsumgebung den Anforderungen des Geräts entspricht. Die Betriebstemperatur des Geräts beträgt -10 °C bis 50 °C und die Betriebsluftfeuchtigkeit darf höchstens 95 % betragen.

- Stellen Sie das Gerät an einem kühlen und gut belüfteten Ort auf.
- Setzen Sie das Gerät KEINER hohen elektromagnetischen Strahlung oder staubigen Umgebungen aus.
- Richten Sie das Objektiv NICHT auf die Sonne oder eine andere helle Lichtquelle.
- Achten Sie bei Verwendung eines Lasergeräts darauf, dass das Objektiv des Geräts nicht dem Laserstrahl ausgesetzt wird. Andernfalls könnte es durchbrennen.
- Das Gerät ist für den Innen- und Außenbereich geeignet, darf jedoch nicht in feuchten Umgebungen eingesetzt werden.
- Die Schutzart ist IP 54.
- Der Verschmutzungsgrad beträgt 2.

### **Technischer Support**

- Das Portal <https://www.hikmicrotech.com/en/contact-us.html> hilft Ihnen als HIKMICRO-Kunde, Ihre HIKMICRO-Produkte optimal zu nutzen. Über dieses Portal haben Sie Zugang zu unserem Support-Team, zu Software und Dokumentation, zu Servicekontakten usw.

### **Notruf**

- Sollten sich Rauch, Gerüche oder Geräusche in dem Gerät entwickeln, so schalten Sie es unverzüglich aus und ziehen Sie den Netzstecker. Wenden Sie sich dann an den Kundendienst.

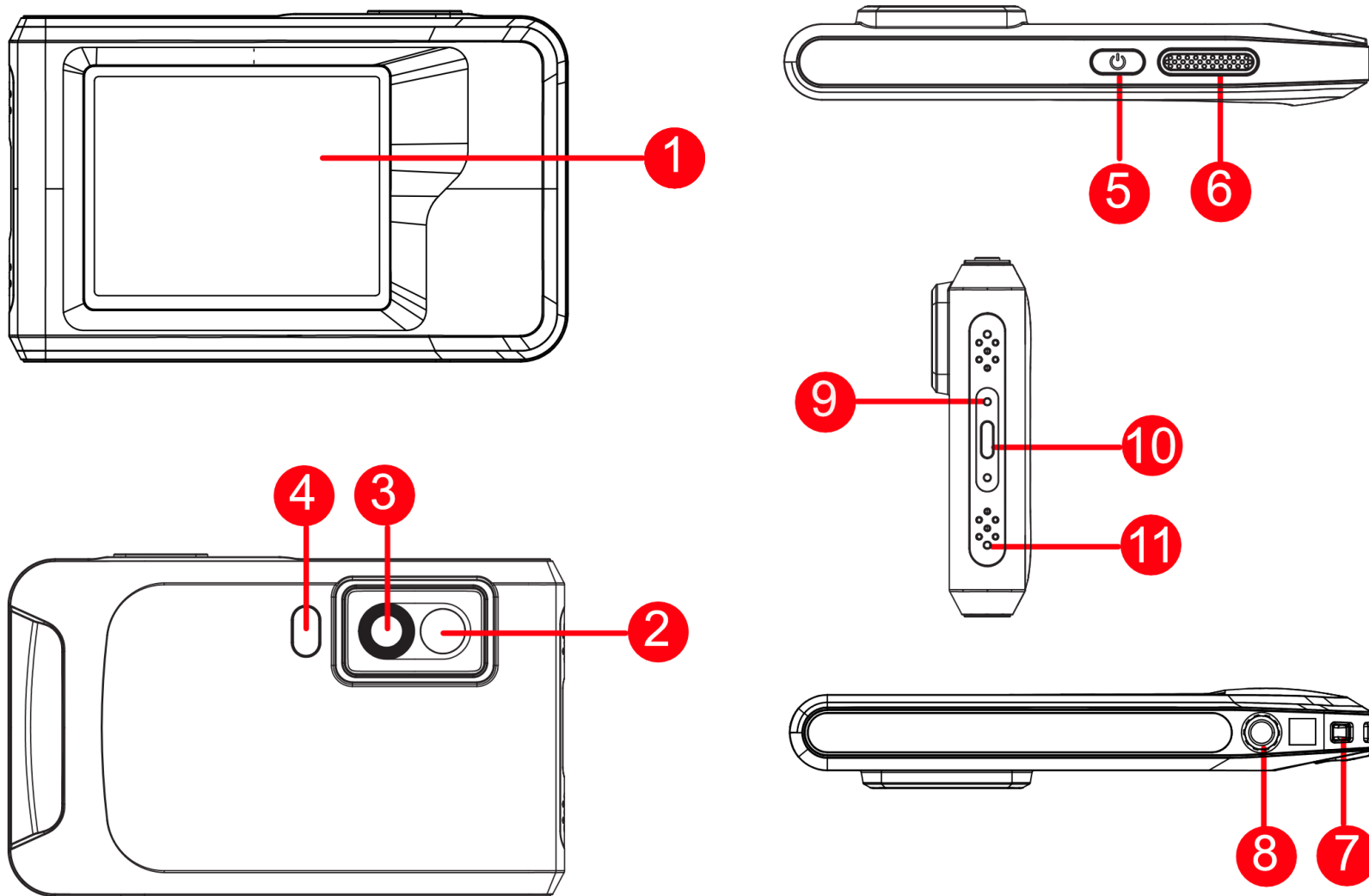
### **Anschrift des Herstellers**

Raum 313, Einheit B, Gebäude 2, 399 Danfeng-Straße, Gemarkung Xixing, Stadtbezirk Binjiang, Hangzhou, Zhejiang 310052, China  
Hangzhou Microimage Software Co., Ltd.

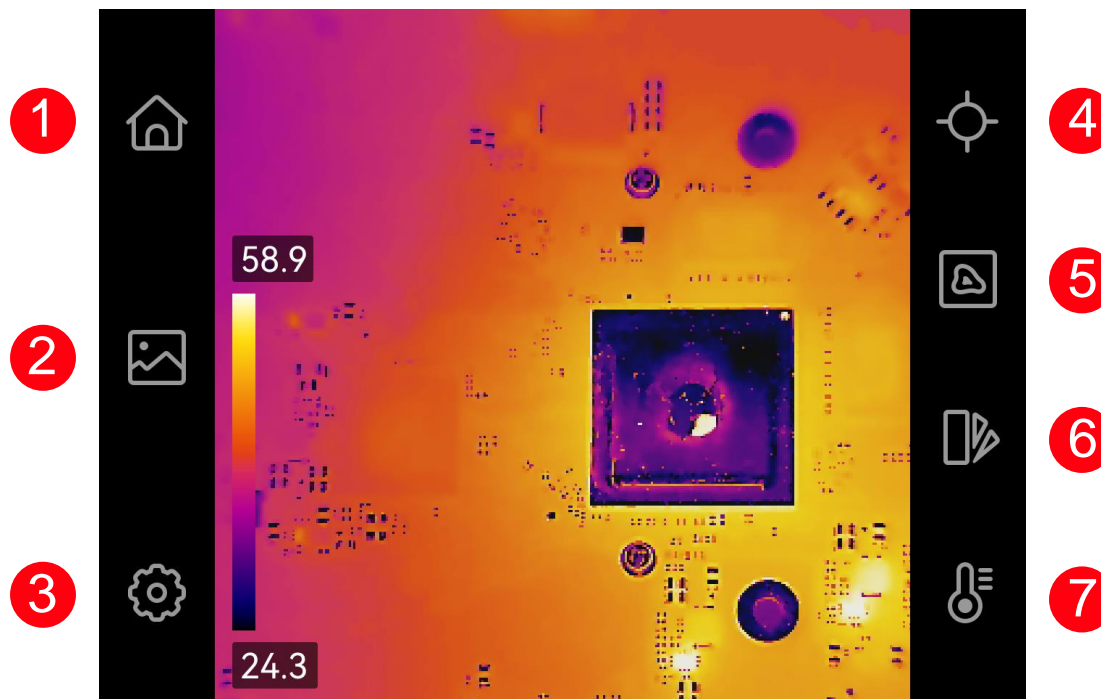
RECHTLICHER HINWEIS: Die Produkte der Wärmebildkamera-Serie unterliegen unter Umständen in verschiedenen Ländern oder Regionen Exportkontrollen, wie zum Beispiel in den Vereinigten Staaten, der Europäischen Union, dem Vereinigten Königreich und/oder anderen Mitgliedsländern des Wassenaar-Abkommens. Bitte informieren Sie sich bei Ihrem Rechtsexperten oder bei den örtlichen Behörden über die erforderlichen Exportlizenzen, wenn Sie beabsichtigen, die Produkte der Wärmebildkamera-Serie in verschiedene Länder zu transferieren, zu

exportieren oder zu reexportieren.

## Français



N°	Description	Fonction
1	Écran de contrôle tactile	Affichage des images et utilisation de l'appareil à l'aide de commandes tactiles.
2	Objectif optique	Observer l'image optique.
3	Objectif thermique	Observer l'image thermique.
4	Faisceau de lumière	Diriger la lumière sur les objets et émettre une alarme clignotante.
5	Touche Alimentation	Maintenir la touche enfoncée pour allumer/éteindre l'appareil.
6	Touche Capturer	Appuyer brièvement pour capturer une image. Maintenir la touche enfoncée pour démarrer l'enregistrement d'une vidéo et appuyer sur la touche à nouveau pour l'arrêter.
7	Point de fixation de la bride	Monter la dragonne.
8	Fixation pour trépied	Permet de monter un trépied.
9	Indicateur de chargement	Indique l'état de charge de l'appareil. <ul style="list-style-type: none"> <li>● Rouge fixe : charge normale</li> <li>● Rouge clignotant : charge anormale</li> <li>● Vert fixe : charge complète</li> </ul>
10	Interface type C	Rechargez l'appareil ou exportez des fichiers à l'aide d'un câble USB Type-C.
11	Microphone	Enregistrer l'audio.



N°	Description	Fonction
1	Accueil	Appuyer pour revenir à la vue en direct.
2	Albums	Accéder aux albums pour afficher les images et les vidéos capturées.
3	Réglages	Régler les paramètres locaux de l'appareil.
4	Mesure	Activer/désactiver les outils de mesure.
5	Mode d'affichage des images	Changement du mode d'affichage de l'image en direct : thermique, optique, fusion, etc.
6	Palettes	Changement de palette de couleurs de l'image thermique.
7	Niveau et échelle	Régler la plage de température pour l'affichage de l'image thermique.

## Mesure de la température

Grâce au détecteur IR haute sensibilité et au capteur haute performance intégrés, la plage de mesure de la température est de -20 °C à 350 °C, et la précision de la mesure de la température est de  $\pm 2$  °C ou 2 % lorsque la température ambiante est de 15 °C à 35 °C et la température de l'objet est supérieure à 0 °C.

## Menu déroulant

Vous pouvez régler la luminosité dans le menu déroulant et activer des fonctions telles que le Wi-Fi, le point d'accès, la diffusion d'écran, la lampe de poche et le mode sombre/clair.

## Connexion de logiciel client

Vous pouvez afficher la vue en direct, prendre des instantanés, enregistrer des vidéos à l'aide de l'application HIKMICRO Viewer sur votre téléphone. Scannez les codes QR sur la couverture pour télécharger l'application.

Vous pouvez également télécharger HIKMICRO Analyzer

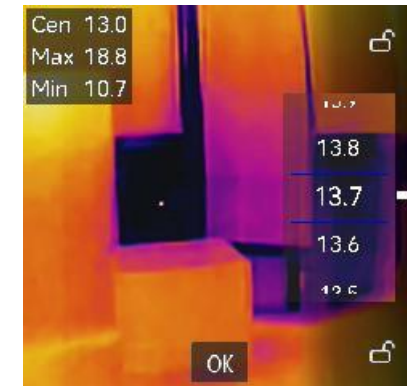
(<https://www.hikmicrotech.com/en/industrial-product/s/hikmicro-analyzer-software.html>) pour analyser de manière professionnelle des images hors ligne et

générer un rapport au format personnalisé sur votre ordinateur.

## Réglage de l'image

Le niveau et la portée peuvent être ajustés manuellement ou automatiquement afin d'obtenir un bon effet thermique pour une meilleure analyse des différences de température.

En mode automatique, l'appareil ajuste automatiquement la plage de température pour l'affichage. En mode manuel, vous pouvez appuyer sur une zone d'intérêt de l'écran ou utiliser la molette de la souris pour ajuster la plage de température à afficher.



**Remarque :** Votre caméra effectue automatiquement et régulièrement un étalonnage pour optimiser la

qualité des images et la précision des mesures. Pendant cette opération, l'image s'interrompt brièvement et vous entendez un déclic lorsque l'obturateur s'ouvre devant le détecteur. Le message « Étalonnage... » apparaît dans la partie supérieure centrale de l'écran pendant que l'appareil s'étalonne. L'étalonnage automatique est plus fréquent au démarrage ou dans des environnements très froid ou chaud. Ce comportement est normal et permet de garantir des performances optimales de votre caméra.

## Manuel d'utilisation

Pour des instructions détaillées sur le fonctionnement, veuillez scanner le code QR pour obtenir le manuel d'utilisation.



## Informations légales

### MENTIONS LÉGALES

DANS LES LIMITES AUTORISÉES PAR LA LOI EN VIGUEUR, LE PRÉSENT MANUEL ET LE PRODUIT DÉCRIT, AINSI QUE SON MATÉRIEL, SES LOGICIELS ET SES MICROLOGICIELS, SONT FOURNIS « EN L'ÉTAT » ET « AVEC CES FAIBLESSES ET ERREURS ». HIKMICRO NE FAIT AUCUNE GARANTIE, EXPLICITE OU IMPLICITE, Y COMPRIS, MAIS SANS S'Y LIMITER, DE QUALITÉ

MARCHANDE, DE QUALITÉ SATISFAISANTE, OU D'ADÉQUATION À UN USAGE PARTICULIER. VOUS UTILISEZ LE PRODUIT À VOS PROPRES RISQUES. EN AUCUN CAS, HIKMICRO NE SERA TENU RESPONSABLE DE TOUT DOMMAGE SPÉCIAL, CONSÉCUTIF, ACCESSOIRE OU INDIRECT, Y COMPRIS, ENTRE AUTRES, LES DOMMAGES RELATIFS À LA PERTE DE PROFITS D'ENTREPRISE, À L'INTERRUPTION D'ACTIVITÉS COMMERCIALES, OU LA PERTE DES DONNÉES, LA CORRUPTION DES SYSTÈMES, OU LA PERTE DES DOCUMENTS, S'ILS SONT BASÉS SUR UNE VIOLATION DE CONTRAT, UNE FAUTE (Y COMPRIS LA NÉGLIGENCE), LA RESPONSABILITÉ EN MATIÈRE DE PRODUITS, OU AUTRE, EN RAPPORT AVEC L'UTILISATION DU PRODUIT, MÊME SI HIKMICRO A ÉTÉ INFORMÉ DE LA POSSIBILITÉ D'UN TEL DOMMAGE OU D'UNE TELLE PERTE.

VOUS RECONNAISSEZ QUE LA NATURE D'INTERNET EST SOURCE DE RISQUES DE SÉCURITÉ INHÉRENTS, ET HIKMICRO SE DÉGAGE DE TOUTE RESPONSABILITÉ EN CAS DE FONCTIONNEMENT ANORMAL, DIVULGATION D'INFORMATIONS CONFIDENTIELLES OU AUTRES DOMMAGES DÉCOULANT D'UNE CYBERATTAQUE, D'UN PIRATAGE INFORMATIQUE, D'UNE INFECTION PAR DES VIRUS, OU AUTRES RISQUES DE SÉCURITÉ LIÉS À INTERNET ; TOUTEFOIS, HIKMICRO FOURNIRA UNE ASSISTANCE TECHNIQUE DANS LES DÉLAIS SI NÉCESSAIRE.

VOUS ACCEPTEZ D'UTILISER CE PRODUIT CONFORMÉMENT À L'ENSEMBLE DES LOIS EN VIGUEUR. IL EST DE VOTRE RESPONSABILITÉ EXCLUSIVE DE VEILLER À CE QUE VOTRE UTILISATION SOIT CONFORME À LA LOI APPLICABLE. IL VOUS APPARTIENT SURTOUT D'UTILISER CE PRODUIT D'UNE MANIÈRE QUI NE PORTE PAS ATTEINTE AUX DROITS DE TIERS, Y COMPRIS, MAIS SANS S'Y LIMITER, LES DROITS DE PUBLICITÉ, LES DROITS DE PROPRIÉTÉ INTELLECTUELLE, OU LA PROTECTION DES DONNÉES ET D'AUTRES DROITS À LA VIE PRIVÉE. VOUS NE DEVEZ PAS UTILISER CE PRODUIT POUR TOUTE UTILISATION FINALE INTERDITE, NOTAMMENT LA MISE AU POINT OU LA PRODUCTION D'ARMES DE DESTRUCTION MASSIVE, LA MISE AU POINT OU LA FABRICATION D'ARMES CHIMIQUES OU BIOLOGIQUES, LES ACTIVITÉS DANS LE CONTEXTE LIÉ AUX EXPLOSIFS NUCLÉAIRES OU AU CYCLE DU COMBUSTIBLE NUCLÉAIRE DANGEREUX, OU SOUTENANT LES VIOLATIONS DES DROITS DE L'HOMME. EN CAS DE CONFLIT ENTRE CE MANUEL ET LES LOIS EN VIGUEUR, CES DERNIÈRES PRÉVALENT.

### Réglementation


---

Ces clauses ne s'appliquent qu'aux produits portant la marque ou



## l'information correspondante.

### Déclaration de conformité UE/UK

 Ce produit et, le cas échéant, les accessoires qui l'accompagnent, sont estampillés « CE » et sont donc conformes aux normes européennes harmonisées en vigueur répertoriées sous la Directive 2014/30/UE (EMCD), la Directive 2014/35/UE (LVD), la Directive 2011/65/UE (RoHS) et la Directive 2014/53/UE.

### Bandes de fréquence et puissance (pour la CE/UK)

Les bandes de fréquences et les limites nominales de la puissance d'émission (rayonnée ou conduite) applicables aux équipements radio suivants sont les suivantes :

**Wi-Fi** : 2,4 GHz (2,4 GHz à 2,4835 GHz) : 20 dBm

Pour les appareils sans adaptateur d'alimentation offert, utilisez l'adaptateur d'alimentation fourni par un fabricant qualifié. Reportez-vous aux spécifications du produit pour les dispositions nécessaires et détaillées en matière d'alimentation.

Pour les appareils sans batterie offerte, utilisez la batterie fournie par un fabricant qualifié. Reportez-vous aux spécifications du produit pour les détails concernant la batterie.



Directive 2012/19/UE (directive DEEE) : dans l'Union européenne, les produits portant ce pictogramme ne doivent pas être déposés dans une déchèterie municipale où le tri des déchets n'est pas pratiqué. Pour un recyclage adéquat, remettez ce produit à votre revendeur lors de l'achat d'un nouvel équipement équivalent, ou déposez-le dans un lieu de collecte prévu à cet effet. Pour de plus amples informations, visitez le site Web : [www.recyclethis.info](http://www.recyclethis.info).



Directive 2006/66/CE et son amendement 2013/56/UE (directive sur les batteries) : ce produit renferme une batterie qui ne doit pas être déposée dans une déchèterie municipale où le tri des déchets n'est pas pratiqué, dans l'Union européenne. Pour plus de précisions sur la batterie, reportez-vous à sa documentation. La batterie porte le pictogramme ci-contre, qui peut inclure la mention Cd (cadmium), Pb (plomb) ou Hg (mercure). Pour la recycler correctement, renvoyez la batterie à votre revendeur ou déposez-la dans un point de collecte prévu à cet effet. Pour de plus amples informations, visitez le site Web :

[www.recyclethis.info](http://www.recyclethis.info).

### Consignes de sécurité

L'objectif de ces instructions est de garantir que l'utilisateur soit en mesure d'utiliser correctement le produit sans danger ou dommage aux biens.

### Lois et réglementations

- L'appareil doit être strictement utilisé conformément à la réglementation locale en matière de sécurité électrique.

### Transport

- Gardez l'appareil dans son emballage d'origine ou dans un emballage similaire lors de son transport.
- Veuillez conserver l'emballage de l'appareil pour toute utilisation ultérieure. En cas de panne, vous devrez renvoyer l'appareil à l'usine dans son emballage d'origine. Le transport de l'appareil sans son emballage d'origine peut l'endommager, et l'entreprise se dégage de toute responsabilité dans ce cas.
- Ne pas faire tomber le produit ou le soumettre à un choc physique. Éloigner l'appareil d'interférences magnétiques.

### Alimentation électrique

- La tension d'entrée doit être conforme à celle d'une source d'alimentation limitée (3,85 VCC, 570 mA) selon la norme IEC61010-1. Veuillez vous référer aux caractéristiques techniques pour des informations détaillées.
- Vérifiez que la prise est correctement branchée à la prise électrique.
- Pour éviter tout risque de surchauffe ou d'incendie dû à une surcharge, ne reliez PAS plusieurs appareils à un seul adaptateur d'alimentation.
- Utilisez l'adaptateur d'alimentation fourni par un fabricant qualifié. Reportez-vous aux spécifications du produit pour les dispositions nécessaires et détaillées en matière d'alimentation.

### Batterie

- Veuillez charger l'appareil pendant 3 heures avant de l'utiliser pour la première fois.
- Une mauvaise utilisation ou une pile mal remplacée peut entraîner un risque d'explosion. Remplacez-la uniquement par une pile identique ou de type équivalent. Éliminez les piles usées conformément aux instructions fournies par leur fabricant.
- La batterie intégrée ne peut pas être démontée. Veuillez contacter le fabricant pour réparation si nécessaire.



- En cas de stockage à long terme de la pile, assurez-vous qu'elle est complètement chargée tous les six mois afin d'en conserver la qualité. Dans le cas contraire, elle pourrait se détériorer.
- Utilisez une batterie fournie par un fabricant qualifié. Reportez-vous aux spécifications du produit pour les détails concernant la batterie.
- NE placez PAS la pile à proximité d'une source de chaleur ou de feu. Ne l'exposez pas à la lumière directe du soleil.
- N'avalez PAS la pile pour éviter les risques de brûlures chimiques.
- NE laissez PAS la pile à portée des enfants.
- Lorsque l'appareil est éteint et que la batterie RTC est complètement chargée, les réglages de l'heure peuvent être conservés pendant 6 mois.
- Lors de la première utilisation, chargez l'appareil pendant plus de 2,5 heures lorsqu'il est éteint.
- La tension de la batterie est de 3,85 V et sa capacité est de 2100 mAh.
- La batterie est certifiée conforme à la norme UL2054.

### Maintenance

- Si le produit ne fonctionne pas correctement, contactez votre revendeur ou le centre de service le plus proche. Nous n'assumerons aucune responsabilité concernant les problèmes causés par une réparation ou une opération de maintenance non autorisée.
- Certains composants de l'appareil (p. ex., condensateur électrolytique) doivent être remplacés régulièrement. Leur durée de vie moyenne est variable, c'est pourquoi des contrôles périodiques sont recommandés. Veuillez contacter votre distributeur pour plus d'informations.
- Essuyez délicatement l'appareil à l'aide d'un chiffon propre imbibé d'une petite quantité d'éthanol, si nécessaire.
- Si l'appareil n'est pas utilisé conformément aux indications du fabricant, le dispositif de protection fourni par l'appareil peut être compromis.

### Services d'étalonnage

- Nous vous recommandons de renvoyer l'appareil pour étalonnage une fois par an. Veuillez également contacter le revendeur local pour obtenir des informations sur les points d'entretien. Pour des services d'étalonnage plus détaillés, veuillez vous reporter à <https://www.hikmicrotech.com/en/support/calibration-service.html>

### Environnement d'exploitation

- N'exposez PAS l'appareil à des environnements extrêmement chauds, froids, poussiéreux, corrosifs, salins-alcalins ou humides. Assurez-vous

que l'environnement d'exploitation répond aux exigences de l'appareil. La température de fonctionnement doit être comprise entre -10 °C et 50 °C, et l'humidité de fonctionnement doit être de 95 % ou moins.

- Placez l'appareil dans un endroit sec et bien aéré.
- N'exposez PAS l'appareil à de puissants rayonnements électromagnétiques ou à des environnements poussiéreux.
- N'orientez PAS l'objectif vers le soleil ou toute autre source de lumière vive.
- Pendant l'utilisation de tout équipement générant un laser, veillez à ce que l'objectif de l'appareil ne soit pas exposé au faisceau laser, car il pourrait brûler.
- L'appareil convient à une utilisation en intérieur comme en extérieur, mais ne l'exposez pas à l'humidité.
- Le niveau de protection est IP 54.
- Le degré de pollution est de 2.

### Assistance technique

- Le portail <https://www.hikmicrotech.com/en/contact-us.html> vous aidera en tant que client HIKMICRO à tirer le meilleur de vos produits HIKMICRO. Depuis le portail, accédez à notre équipe d'assistance, à des logiciels et de la documentation, à des contacts en rapport avec le support, etc.

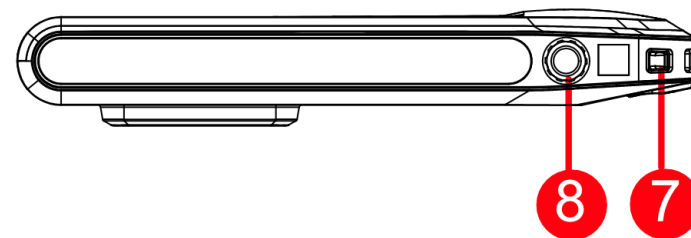
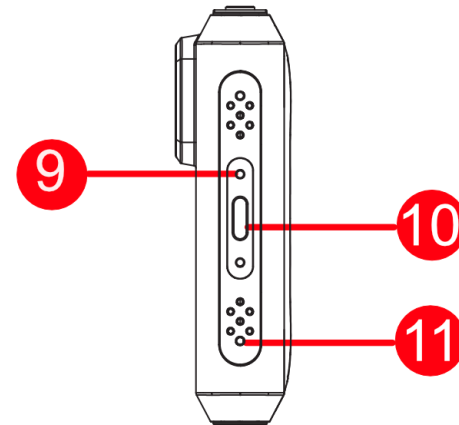
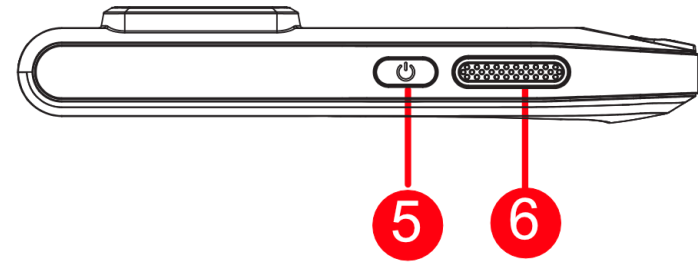
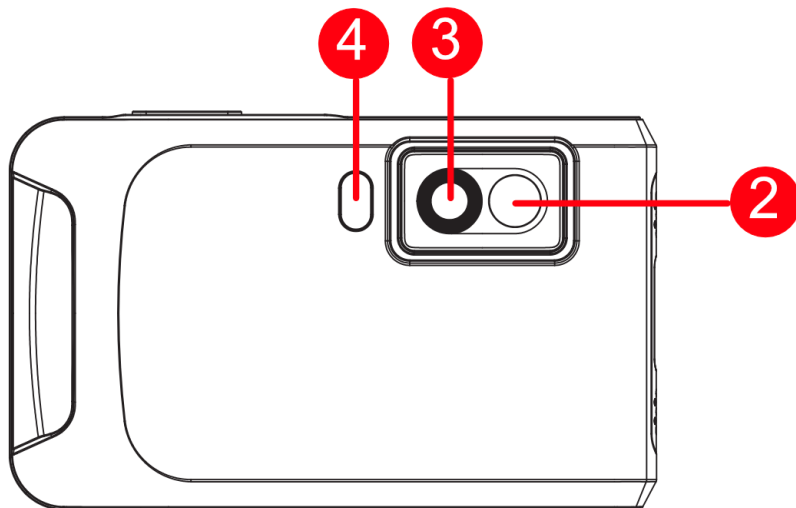
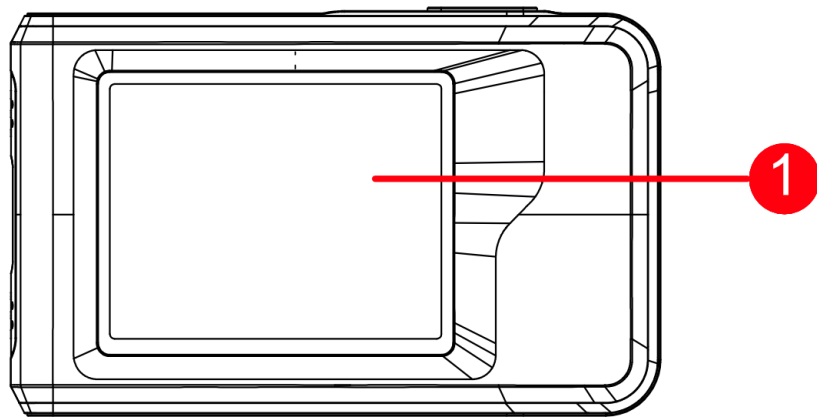
### Urgence

- Si de la fumée, des odeurs ou du bruit s'échappent de l'appareil, mettez immédiatement l'appareil hors tension et débranchez le câble d'alimentation, puis contactez un centre de réparation.

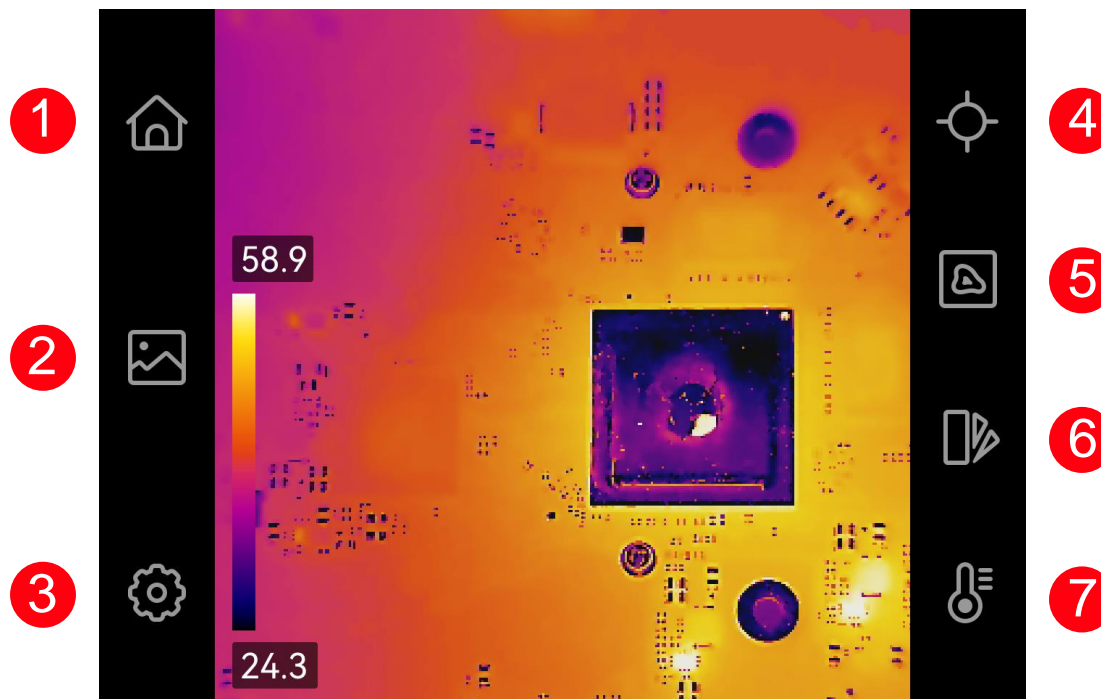
### Adresse de fabrication

Logement 313, Unité B, Bâtiment 2, 399 Danfeng Road, Sous-district de Xixing, District de Binjiang, Hangzhou, Zhejiang 310052, Chine  
Hangzhou Microimage Software Co., Ltd.

AVIS DE CONFORMITÉ : il est possible que les produits de la série thermique soient soumis à des contrôles d'exportation dans divers pays ou diverses régions, ce qui inclut, sans s'y limiter, les États-Unis, l'Union européenne, le Royaume-Uni ou d'autres pays membres de l'Arrangement de Wassenaar. Veuillez consulter votre expert professionnel en questions juridiques ou en conformité ou les autorités de votre gouvernement local pour toute exigence de permis d'exportation si vous prévoyez de transférer, d'exporter ou de réexporter des produits de la série thermique entre différents pays.



Núm.	Descripción	Función
1	Pantalla táctil de control	Ver la imagen y usar el dispositivo con el control táctil.
2	Lente visual	Ver la imagen óptica.
3	Lente térmica	Ver la imagen térmica.
4	Flash	Ilumina los objetos y emite una alarma intermitente.
5	Botón de encendido	Manténgalo pulsado para encender o apagar el dispositivo.
6	Botón de captura	Pulsar para capturar una imagen. Mantener pulsado para iniciar la grabación de vídeo y pulsar otra vez para parar.
7	Punto de fijación de la correa	Monte la correa de muñeca.
8	Soporte para trípode	Coloque el trípode.
9	Indicador de carga	Indica el estado de carga del dispositivo. <ul style="list-style-type: none"> <li>● Rojo fijo: carga normal.</li> <li>● Rojo intermitente: excepción de carga.</li> <li>● Verde fijo: carga completa.</li> </ul>
10	Interfaz de tipo C	Utilice un cable tipo C para cargar el dispositivo o exportar los archivos.
11	Micrófono	Graba audio.



Núm.	Descripción	Función
1	Inicio	Tocar para regresar a la vista en directo.
2	Álbumes	Entrar en los álbumes para ver las imágenes y vídeos capturados.
3	Ajustes	Ajustar los ajustes del dispositivo en local.
4	Mediciones	Activar/desactivar las herramientas de medición.
5	Modo de visualización de imagen	Cambiar el modo de visualización de imagen desde térmico, visual, fusión, etc.
6	Paletas	Cambiar las paletas de color de imágenes térmicas.
7	Nivel y alcance	Ajustar el rango de temperaturas para la visualización de imágenes

### Medición de la temperatura

Con el detector IR de alta sensibilidad y el sensor de alto rendimiento integrados, el rango de medición de la temperatura va de -20 a 350 °C (-4 a 662 °F) y la precisión de la medición de la temperatura es de  $\pm 2$  °C ( $\pm 3,6$  °F) o del 2 % cuando la temperatura ambiente oscila entre 15 y 35 °C (59 a 95 °F) y la temperatura del objeto es superior a 0 °C (32 °F).

### Menú desplegable

Puede ajustar el brillo en el menú desplegable y activar funciones como Wi-Fi, Punto de acceso wifi, Proyección de pantalla, linterna y modo oscuro/brillante.

### Conexión con el software cliente

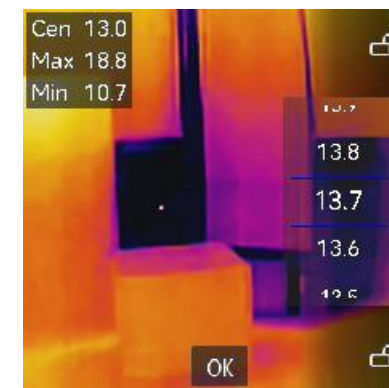
Puede visualizar la vista en directo, capturar instantáneas y grabar vídeos a través de la aplicación HIKMICRO Viewer desde el teléfono. Escanee los códigos QR de la portada para descargar la aplicación. También puede descargar el HIKMICRO Analyzer (<https://www.hikmicrotech.com/en/industrial-products/hikmicro-analyzer-software.html>) para analizar las imágenes de forma profesional con el dispositivo

desconectado, y generar un informe con formato personalizado en su PC.

### Ajuste de imagen

Las funciones de nivel e intervalo se pueden ajustar manual o automáticamente para obtener un buen efecto térmico que permita un mejor análisis de la diferencia de temperatura.

En el modo automático, el dispositivo ajustará automáticamente el intervalo de temperaturas para visualización. En el modo manual, puede tocar el área que le interese de la pantalla, y desplazar la rueda de temperatura para ajustar el intervalo de temperatura para visualización.



**Nota:** La cámara realizará periódicamente una

autocalibración para optimizar la calidad de la imagen y la precisión de las mediciones. Durante este proceso, la imagen se detendrá brevemente y se oirá un «clic» cuando el obturador se mueva delante del detector. El mensaje “Calibrando...” aparece en la parte superior del centro de la pantalla cuando el dispositivo se está calibrando a sí mismo. La calibración automática será más frecuente durante el arranque o en ambientes muy fríos o cálidos. Se trata de un proceso normal para garantizar un rendimiento óptimo de la cámara.

## Manual de usuario

Encontrará información detallada sobre el funcionamiento del dispositivo en el código QR del manual de usuario.



## Información legal

### AVISOS LEGALES

EN LA MEDIDA MÁXIMA PERMITIDA POR LAS LEYES APLICABLES, ESTE MANUAL Y EL PRODUCTO DESCRITO —INCLUIDOS SU HARDWARE, SOFTWARE Y FIRMWARE— SE SUMINISTRAN «TAL CUAL» Y «CON TODOS SU FALLOS Y ERRORES». HIKMICRO NO OFRECE GARANTÍAS, EXPLÍCITAS O IMPLÍCITAS, INCLUIDAS, A MODO MERAMENTE ENUNCIATIVO MAS NO LIMITATIVO, AQUELLAS DE COMERCIABILIDAD, CALIDAD SATISFACTORIA O

IDONEIDAD PARA UN PROPÓSITO EN PARTICULAR. EL USO QUE HAGA DEL PRODUCTO CORRE BAJO SU ÚNICO RIESGO. EN NINGÚN CASO, HIKMICRO PODRÁ CONSIDERARSE RESPONSABLE ANTE USTED DE NINGÚN DAÑO ESPECIAL, CONSECUENTE, INCIDENTAL O INDIRECTO, INCLUYENDO, ENTRE OTROS, DAÑOS POR PÉRDIDAS DE BENEFICIOS COMERCIALES, INTERRUPCIÓN DE LA ACTIVIDAD COMERCIAL, PÉRDIDA DE DATOS, CORRUPCIÓN DE LOS SISTEMAS O PÉRDIDA DE DOCUMENTACIÓN, YA SEA POR INCUMPLIMIENTO DEL CONTRATO, AGRAVIO (INCLUYENDO NEGLIGENCIA), RESPONSABILIDAD DEL PRODUCTO O EN RELACIÓN CON EL USO DEL PRODUCTO, INCLUSO CUANDO HIKMICRO HAYA RECIBIDO UNA NOTIFICACIÓN DE LA POSIBILIDAD DE DICHS DAÑOS O PÉRDIDAS. USTED RECONOCE QUE LA NATURALEZA DE INTERNET IMPLICA RIESGOS DE SEGURIDAD INHERENTES Y QUE HIKMICRO NO TENDRÁ NINGUNA RESPONSABILIDAD POR NINGÚN FUNCIONAMIENTO ANORMAL, FILTRACIONES DE PRIVACIDAD U OTROS DAÑOS RESULTANTES DE ATAQUES CIBERNÉTICOS, ATAQUES DE PIRATAS INFORMÁTICOS, INFECCIONES DE VIRUS U OTROS RIESGOS DE SEGURIDAD PROPIOS DE INTERNET; NO OBSTANTE, HIKMICRO PROPORCIONARÁ EL APOYO TÉCNICO OPORTUNO DE SER NECESARIO.

USTED ACEPTA USAR ESTE PRODUCTO DE CONFORMIDAD CON TODAS LAS LEYES APLICABLES Y SOLO USTED ES EL ÚNICO RESPONSABLE DE ASEGURAR QUE EL USO CUMPLA CON DICHAS LEYES. EN ESPECIAL, USTED ES RESPONSABLE DE USAR ESTE PRODUCTO DE FORMA QUE NO INFRINJA LOS DERECHOS DE TERCEROS, INCLUYENDO, A MODO ENUNCIATIVO, DERECHOS DE PUBLICIDAD, DERECHOS DE PROPIEDAD INTELECTUAL, DERECHOS RELATIVOS A LA PROTECCIÓN DE DATOS Y OTROS DERECHOS RELATIVOS A LA PRIVACIDAD. NO UTILIZARÁ ESTE PRODUCTO PARA NINGÚN USO FINAL PROHIBIDO, INCLUYENDO EL DESARROLLO O LA PRODUCCIÓN DE ARMAS DE DESTRUCCIÓN MASIVA, EL DESARROLLO O PRODUCCIÓN DE ARMAS QUÍMICAS O BIOLÓGICAS, NINGUNA ACTIVIDAD EN EL CONTEXTO RELACIONADO CON ALGÚN EXPLOSIVO NUCLEAR O EL CICLO DE COMBUSTIBLE NUCLEAR INSEGURO O EN APOYO DE ABUSOS DE LOS DERECHOS HUMANOS.

EN CASO DE HABER CONFLICTO ENTRE ESTE MANUAL Y LA LEGISLACIÓN VIGENTE, ESTA ÚLTIMA PREVALECE.


### Información normativa

---

**Estas cláusulas solo se aplican a los productos que lleven la marca o la información correspondiente.**



## Declaración de cumplimiento normativo UE/RU

 Este producto, así como los accesorios suministrados (si procede), llevan la marca «CE» y, por lo tanto, cumplen con las normativas europeas armonizadas aplicables que se enumeran en la Directiva 2014/30/UE (CEM), la Directiva 2014/35/UE (baja tensión), la Directiva 2011/65/UE (RoHS) y la Directiva 2014/53/UE.

## Bandas de frecuencia y Potencia (para la CE/RU)

Las bandas de frecuencia y los límites de potencia de transmisión (radiada y/o conducida) aplicables a los siguientes equipos de radio son:

**Wi-Fi:** 2,4 GHz (2,4 GHz a 2,4835 GHz): 20 dBm

En el caso de los dispositivos suministrados sin adaptador de corriente, utilice un adaptador de corriente de un fabricante cualificado. Consulte las especificaciones técnicas del producto para conocer los requisitos eléctricos detallados.

En el caso de los dispositivos suministrados sin batería, utilice una batería de un fabricante cualificado. Consulte las especificaciones técnicas del producto para conocer los requisitos detallados de la batería.



Directiva 2012/19/UE (directiva RAEE): En la Unión Europea, los productos marcados con este símbolo no pueden ser desechados en el sistema de basura municipal sin recogida selectiva. Para un reciclaje adecuado, entregue este producto en el lugar de compra del equipo nuevo equivalente o deshágase de él en el punto de recogida designado a tal efecto. Para más información visite: [www.recyclethis.info](http://www.recyclethis.info).



Directiva 2006/66/CE y su enmienda 2013/56/UE (directiva sobre baterías): Este producto lleva una batería que no puede ser desechada en el sistema municipal de basuras sin recogida selectiva dentro de la Unión Europea. Consulte la documentación del producto para ver la información específica de la batería. La batería lleva marcado este símbolo, que incluye unas letras indicando si contiene cadmio (Cd), plomo (Pb), o mercurio (Hg). Para un reciclaje adecuado, entregue la batería a su vendedor o llévela al punto de recogida de basuras designado a tal efecto. Para más información visite: [www.recyclethis.info](http://www.recyclethis.info).

## Instrucciones de seguridad

Estas instrucciones están destinadas a garantizar que el usuario pueda utilizar el producto correctamente para evitar peligros o pérdidas

materiales.

## Leyes y normativas

- El uso del producto ha de cumplir estrictamente con las normas de seguridad eléctrica locales.

## Transporte

- Guarde el dispositivo en su paquete original o en uno similar cuando lo transporte.
- Guarde el embalaje para uso futuro. En el caso de que ocurra algún fallo, deberá devolver el dispositivo a la fábrica con el envoltorio original. En caso de transporte sin el envoltorio original podría resultar en daños en el dispositivo y la empresa no se hará responsable.
- No deje caer el producto ni lo someta a impactos físicos. Mantenga el dispositivo alejado de interferencias magnéticas.

## Fuente de alimentación

- La tensión de entrada debe cumplir con el límite de la fuente de alimentación (3,85 V de CC, 570 mA) según el estándar IEC61010-1. Consulte las especificaciones técnicas para obtener información detallada.
- Asegúrese de que el enchufe esté correctamente conectado a la toma de corriente.
- NO conecte múltiples dispositivos a un mismo adaptador de corriente, para evitar el sobrecalentamiento y los riesgos de incendio por sobrecarga.
- Utilice el adaptador eléctrico de un fabricante autorizado. Consulte las especificaciones técnicas del producto para conocer los requisitos eléctricos detallados.

## Batería

- Cargue el dispositivo durante 3 horas antes de usarlo por primera vez.
- El uso o sustitución inadecuados de la batería pueden ser un riesgo de explosión. Cámbiela únicamente por otra del mismo tipo o equivalente. Deshágase de las baterías usadas conforme a las instrucciones proporcionadas por el fabricante de la batería.
- La batería integrada no puede ser desmontada. Póngase en contacto con el fabricante para solicitar las reparaciones necesarias.
- Para almacenar la batería durante un periodo prolongado, compruebe que esté completamente cargada cada medio año para garantizar la calidad de la misma. De lo contrario, podrían ocurrir daños.



- Use una batería provista por un fabricante cualificado. Consulte las especificaciones técnicas del producto para conocer los requisitos detallados de la batería.
- NO coloque la batería cerca de fuentes de calor o de fuego. Evite la luz directa del sol.
- NO se trague la batería para evitar quemaduras químicas.
- NO deje la batería al alcance de los niños.
- Cuando el dispositivo esté apagado y la batería RTC esté llena, los ajustes de tiempo se podrán guardar durante 6 meses.
- Antes del primer uso, cargue el dispositivo durante más de 2,5 horas en el estado de apagado.
- La tensión de la batería es de 3,85 V y la capacidad de la batería es de 2100 mAh.
- La batería cuenta con la certificación UL2054.

### Mantenimiento

- Si el producto no funciona correctamente, por favor, póngase en contacto con su distribuidor o con el centro de servicio técnico más próximo. No nos haremos responsables de los problemas derivados de una reparación o mantenimiento no autorizados.
- Algunos componentes del dispositivo (p. ej.: el condensador electrolítico) necesita una sustitución periódica. La vida útil promedio puede variar, por lo que se recomienda una revisión periódica. Contacte con su vendedor para más detalles.
- Limpie suavemente el dispositivo con una gamuza limpia con una pequeña cantidad de etanol, si fuese necesario.
- Si se utiliza el equipo de una manera no especificada por el fabricante, la protección del dispositivo podría verse mermada.

### Servicio de calibración

- Le recomendamos llevar el dispositivo para su calibración una vez al año. Póngase en contacto con su distribuidor local para obtener información sobre el mantenimiento. Para obtener más información sobre los servicios de calibración, consulte <https://www.hikmicrotech.com/en/support/calibration-service.html>

### Entorno de uso

- NO exponga el dispositivo a entornos excesivamente cálidos, fríos, con polvo, corrosivos, salinos-alcálinos o húmedos. Compruebe que el

entorno de uso se adapte a los requisitos del dispositivo. La temperatura de funcionamiento oscila entre  $-10\text{ }^{\circ}\text{C}$  y  $50\text{ }^{\circ}\text{C}$ , y la humedad de funcionamiento es del 95 % o inferior.

- Coloque el dispositivo en un entorno seco y con buena ventilación.
- NO exponga el dispositivo a radiaciones electromagnéticas o entornos polvorientos.
- NO oriente la lente hacia el sol ni a otras luces brillantes.
- Cuando utilice equipos láser, asegúrese de que el objetivo del dispositivo no quede expuesto al rayo láser ya que podría quemarse.
- El dispositivo es apto para su uso tanto en exteriores como en interiores, pero no lo exponga a condiciones de humedad.
- Su nivel de protección es IP 54.
- El grado de contaminación es 2.

### Soporte técnico

- El portal <https://www.hikmicrotech.com/en/contact-us.html> le ayudará, como cliente HIKMICRO, a obtener el máximo partido a sus productos HIKMICRO. El sitio le ofrece acceso a nuestro equipo de soporte, software y documentación, contactos de servicio, etc.

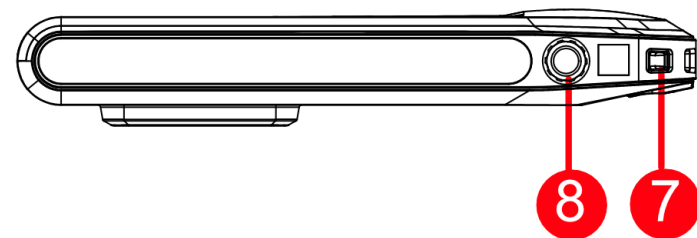
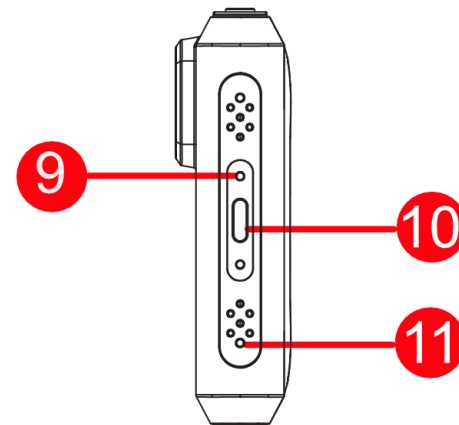
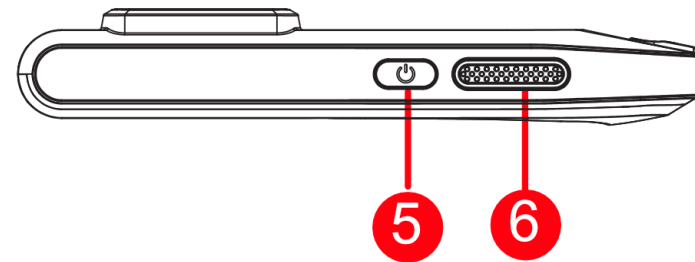
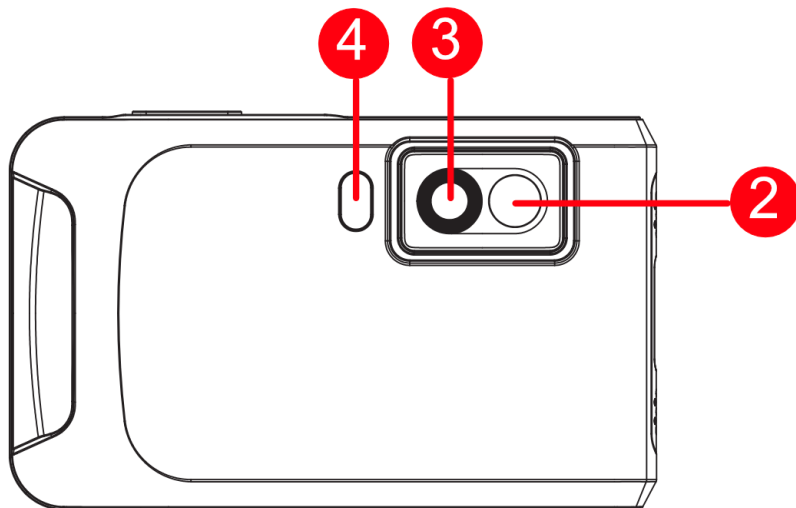
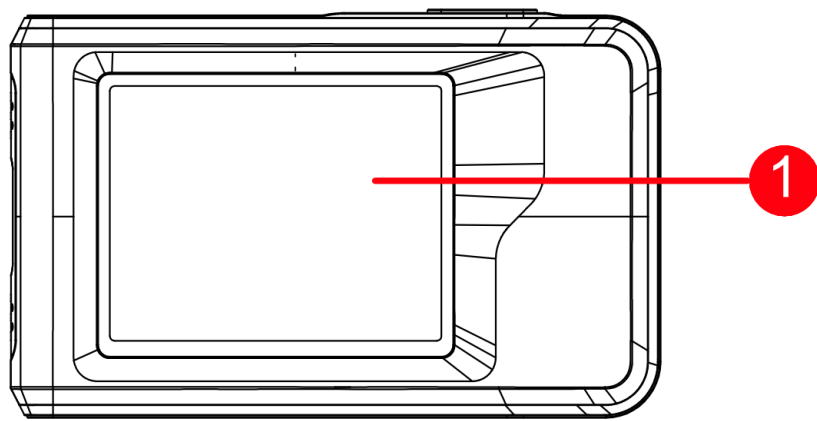
### Emergencia

- Si hay presencia de humo, olores o ruidos procedentes del dispositivo, apague la alimentación inmediatamente, desenchufe el cable de alimentación y contacte con el servicio técnico.

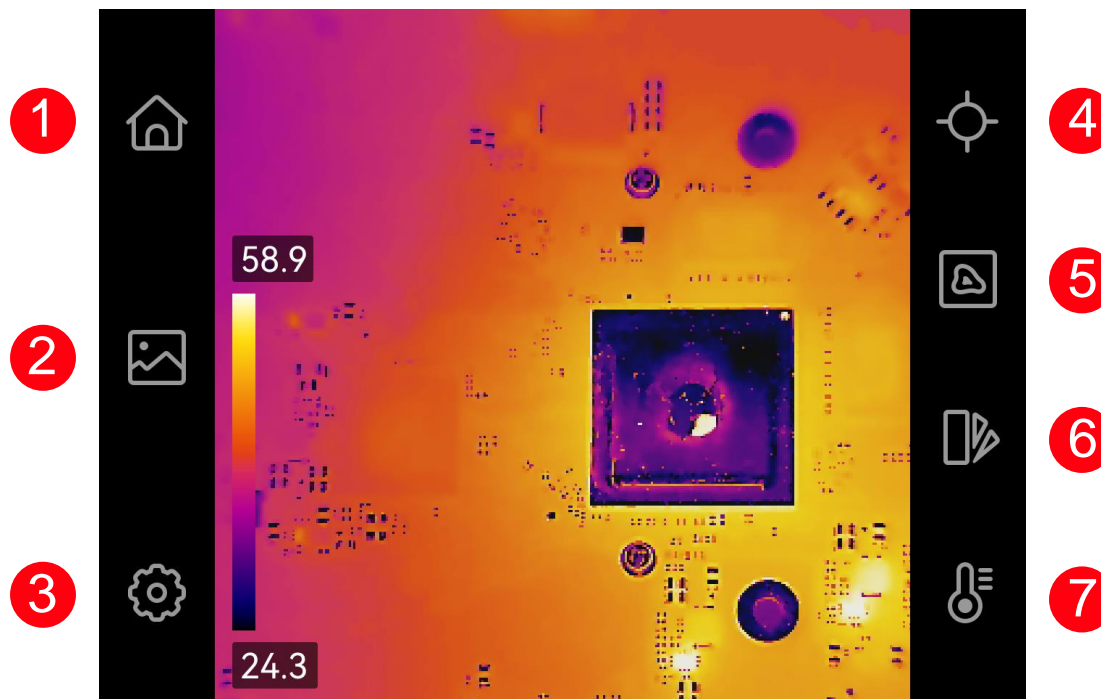
### Dirección de fabricación

Habitación 313, Unidad B, Edificio 2, Carretera de Danfeng 399, Subdistrito de Xixing, Distrito de Binjiang, Hangzhou, Zhejiang 310052, China  
Hangzhou Microimage Software Co., Ltd.

AVISO DE CONFORMIDAD: Los productos de las series térmicas podrían estar sujetos a controles de exportación en algunos países o regiones; entre ellos, por ejemplo, los Estados Unidos, la Unión Europea, el Reino Unido y/o otros países miembros del Arreglo de Wassenaar. Consulte con algún experto en cumplimiento normativo y legal o con las autoridades gubernamentales locales para cumplir con los requisitos de licencia de exportación necesarios si desea transferir, exportar o reexportar los productos de las series térmicas entre distintos países.



N.º	Descrição	Função
1	Ecrã tátil	Ver a imagem e utilizar o dispositivo com o ecrã tátil.
2	Lente visual	Ver a imagem ótica.
3	Lente térmica	Ver a imagem térmica.
4	Luz de flash	Projeta luz sobre os objetos e emite um alarme intermitente.
5	Tecla de ligar/desligar	Mantenha premida para ligar/desligar o dispositivo.
6	Tecla de captura	Prima para capturar uma imagem. Mantenha premida para gravar um vídeo e prima novamente para parar.
7	Ponto de fixação da correia	Instale a correia de pulso.
8	Suporte do tripé	Montar o tripé.
9	Indicador de carga	Indicar o estado de carregamento do dispositivo. <ul style="list-style-type: none"> <li>● Vermelho fixo: a carregar normalmente.</li> <li>● Vermelho a piscar: exceção de carregamento.</li> <li>● Verde fixo: totalmente carregado.</li> </ul>
10	Interface Tipo-C	Para carregar o dispositivo ou exportar ficheiros com o cabo Tipo-C.
11	Microfone	Gravação de áudio.



N.º	Descrição	Função
1	Início	Toque para voltar para a visualização em direto.
2	Álbuns	Introduza álbuns para ver as imagens e os vídeos capturados.
3	Definições	Ajustar as definições locais do dispositivo.
4	Medições	Ativar/desativar as ferramentas de medição.
5	Modo de visualização de imagem	Mudar o modo de visualização da imagem em direto para térmica, visual, fusão, etc.
6	Paletas	Mudar as paletas de cores da imagem térmica.
7	Nivelar e expandir	Ajustar a faixa de temperatura para a visualização da imagem térmica.

## Medição de temperatura

Com o detetor de IV de alta sensibilidade e o sensor de alto desempenho integrados, o intervalo de medição da temperatura situa-se entre -20 °C e 350 °C, e a precisão da medição da temperatura é de  $\pm 2$  °C ou de 2% quando a temperatura ambiente se situa entre 15 °C e 35 °C e a temperatura do objeto é superior a 0 °C.

## Menu pendente

Pode ajustar a luminosidade no menu pendente e ativar funções tais como Wi-Fi, Hotspot, Transmissão de ecrã, Luz do flash e o modo Escuro/Claro.

## Ligação ao software do cliente

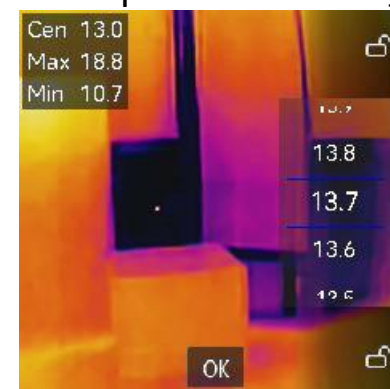
Pode ver imagens em direto, capturar instantâneos e gravar vídeos através da aplicação HIKMICRO Viewer no seu telefone. Leia os códigos QR na tampa para transferir a aplicação.

Pode transferir o software HIKMICRO Analyzer (<https://www.hikmicrotech.com/en/industrial-products/hikmicro-analyzer-software.html>) para analisar imagens profissionalmente offline, e gerar um relatório com um formato personalizado no seu PC.

## Ajuste de imagem

A função de nivelar e expandir pode ser ajustada de forma manual ou automática para obter um bom efeito térmico que permita efetuar uma melhor análise das diferenças de temperatura.

No modo automático, o dispositivo ajusta automaticamente a faixa de temperatura para a visualização. No modo manual, pode tocar numa área de interesse no ecrã e rodar a roda da temperatura para ajustar a faixa de temperatura para a visualização.



**Nota:** A câmara efetua periodicamente uma autocalibração para otimizar a qualidade da imagem e a precisão da medição. Neste processo, a imagem é colocada em pausa por breves instantes e ouvirá um "clique" enquanto o obturador se move à frente do detetor. É apresentada a mensagem "A calibrar ..." na

secção central superior do ecrã enquanto o dispositivo faz uma autocalibração. A autocalibração será mais frequente durante o arranque ou em ambientes muito frios ou quentes. Esta operação faz parte do funcionamento normal para garantir um desempenho ótimo da câmara.

## Manual de utilizador

Para obter instruções de utilização detalhadas, leia o código QR para aceder ao manual do utilizador.



## Informação legal

### EXCLUSÃO DE RESPONSABILIDADE LEGAL

NA MEDIDA MÁXIMA PERMITIDA PELA LEI APLICÁVEL, ESTE MANUAL E O PRODUTO DESCRITO, COM O SEU HARDWARE, SOFTWARE E FIRMWARE, SÃO FORNECIDOS “TAL COMO ESTÃO” E “COM TODAS AS SUAS FALHAS E ERROS”. A HIKMICRO NÃO APRESENTA QUAISQUER GARANTIAS, EXPRESSAS OU IMPLÍCITAS, INCLUINDO, SEM QUAISQUER LIMITAÇÕES, GARANTIAS DE COMERCIALIZABILIDADE, QUALIDADE SATISFATÓRIA OU ADEQUAÇÃO A UM DETERMINADO FIM. A SUA UTILIZAÇÃO DESTES PRODUTOS É FEITA POR SUA CONTA E RISCO. EM NENHUMA CIRCUNSTÂNCIA, A HIKMICRO SERÁ RESPONSÁVEL POR SI EM RELAÇÃO A QUAISQUER DANOS ESPECIAIS, CONSEQUENCIAIS, INCIDENTAIS OU INDIRETOS, INCLUINDO, ENTRE OUTROS, DANOS PELA PERDA DE LUCROS COMERCIAIS, INTERRUÇÃO DA ATIVIDADE, PERDA DE DADOS, CORRUPÇÃO DE SISTEMAS OU PERDA DE DOCUMENTAÇÃO SEJA COM BASE NUMA VIOLAÇÃO DO CONTRATO, ATOS

ILÍCITOS (INCLUÍDO NEGLIGÊNCIA), RESPONSABILIDADE PELO PRODUTO OU, DE OUTRO MODO, RELACIONADA COM A UTILIZAÇÃO DO PRODUTO, AINDA QUE A HIKMICRO TENHA SIDO AVISADA SOBRE A POSSIBILIDADE DE TAIS DANOS OU PERDAS.

O UTILIZADOR RECONHECE QUE A NATUREZA DA INTERNET OFERECE RISCOS DE SEGURANÇA INERENTES E QUE A HIKMICRO NÃO SERÁ RESPONSABILIZADA POR UM FUNCIONAMENTO ANORMAL, PERDA DE PRIVACIDADE OU OUTROS DANOS RESULTANTES DE ATAQUES INFORMÁTICOS, ATAQUES DE PIRATARIA, INFEÇÃO POR VÍRUS OU OUTROS RISCOS ASSOCIADOS À SEGURANÇA DA INTERNET. NO ENTANTO, A HIKMICRO PRESTARÁ APOIO TÉCNICO ATEMPADO, SE SOLICITADO. O UTILIZADOR ACEITA UTILIZAR ESTE PRODUTO EM CONFORMIDADE COM TODAS AS LEIS APLICÁVEIS E SER O ÚNICO RESPONSÁVEL POR GARANTIR QUE A SUA UTILIZAÇÃO É CONFORME À LEI APLICÁVEL. PARTICULARMENTE, O UTILIZADOR É O RESPONSÁVEL PELA UTILIZAÇÃO DESTES PRODUTOS DE MODO QUE NÃO INFIRJA OS DIREITOS DE TERCEIROS, INCLUINDO, ENTRE OUTROS, OS DIREITOS DE PUBLICIDADE, DIREITOS DE PROPRIEDADE INTELECTUAL OU DE PROTEÇÃO DE DADOS, OU QUAISQUER OUTROS DIREITOS DE PRIVACIDADE. O UTILIZADOR NÃO PODERÁ UTILIZAR ESTE PRODUTO PARA QUAISQUER UTILIZAÇÕES FINAIS PROIBIDAS, INCLUINDO O DESENVOLVIMENTO OU PRODUÇÃO DE ARMAS DE DESTRUIÇÃO MACIÇA, DESENVOLVIMENTO OU PRODUÇÃO DE QUÍMICOS OU ARMAS BIOLÓGICAS, QUAISQUER ATIVIDADES DESENVOLVIDAS NO ÂMBITO DE EXPLOSIVOS NUCLEARES OU CICLOS DE COMBUSTÍVEL NUCLEAR INSEGURO OU PARA APOIAR ABUSOS AOS DIREITOS HUMANOS. NA EVENTUALIDADE DA OCORRÊNCIA DE ALGUM CONFLITO ENTRE ESTE MANUAL E A LEGISLAÇÃO APLICÁVEL, ESTA ÚLTIMA PREVALECE.

### Informações sobre as normas reguladoras

---

**As presentes cláusulas aplicam-se apenas aos produtos que apresentam a marcação ou informação correspondentes.**

---

### Declaração de conformidade UE/Reino Unido

**CE** Este produto e, se aplicável, os acessórios fornecidos também têm a marcação "CE" e estão em conformidade com as normas europeias harmonizadas aplicáveis enumeradas na Diretiva 2014/30/UE (EMCD), Diretiva 2014/35/UE (LVD) e Diretiva 2011/65/UE (RoHS), Diretiva



2014/53/UE.

### **Bandas de frequência e potência (para a CE/Reino Unido)**

As bandas de frequência e os limites nominais da potência de transmissão (radiada e/ou conduzida) aplicáveis ao equipamento de rádio abaixo são os seguintes:

**Wi-Fi:** 2,4 GHz (2,4 GHz a 2,4835 GHz): 20 dBm

Para dispositivos sem adaptador de alimentação incluído, utilize um adaptador de alimentação fornecido por um fabricante qualificado. Para informações detalhadas sobre os requisitos relativos à alimentação, consulte as especificações do produto.

Para dispositivos sem bateria incluída, utilize uma bateria fornecida por um fabricante qualificado. Para informações detalhadas sobre os requisitos relacionados com a bateria, consulte as especificações do produto.



Diretiva 2012/19/UE (Diretiva REEE): Os produtos com este símbolo não podem ser eliminados como resíduos urbanos indiferenciados na União Europeia. Para uma reciclagem adequada, devolva este produto ao seu fornecedor local quando adquirir um novo

equipamento equivalente ou elimine-o através dos pontos de recolha adequados. Para mais informações, consulte: [www.recyclethis.info](http://www.recyclethis.info).



Diretiva 2006/66/CE e respetiva alteração 2013/56/UE (Diretiva relativa às pilhas e baterias): Este produto contém uma bateria que não pode ser eliminada como resíduo urbano indiferenciado na União Europeia. Consulte a documentação do produto para obter informações específicas acerca da bateria. A bateria está marcada com este símbolo, que poderá incluir inscrições para indicar a presença de cádmio (Cd), chumbo (Pb), ou mercúrio (Hg). Para reciclar o produto de forma adequada, devolva a bateria ao seu fornecedor ou coloque-a num ponto de recolha apropriado. Para mais informações, consulte: [www.recyclethis.info](http://www.recyclethis.info).

### **Instruções de segurança**

Estas instruções destinam-se a garantir que o utilizador possa utilizar o produto corretamente para evitar perigos ou perdas materiais.

### **Legislação e regulamentos**

- A utilização do produto deve estar em total conformidade com as normas locais de manuseamento de aparelhos elétricos.

### **Transporte**

- Mantenha o dispositivo na embalagem original ou similar, quando o

transportar.

- Depois da abertura da embalagem do produto, guarde todos invólucros, para uso posterior. Em caso de qualquer avaria, deve devolver o dispositivo à fábrica com o invólucro original. O transporte sem o invólucro original pode resultar em danos no dispositivo, sendo que a empresa não assumirá quaisquer responsabilidades.
- Não deixe o produto cair, nem o sujeite a impactos físicos. Mantenha o dispositivo longe de interferências magnéticas.

### **Alimentação elétrica**

- A tensão de entrada deve cumprir a Fonte de potência limitada (3,85 V CC, 570 mA), de acordo com a norma IEC61010-1. Consulte as especificações técnicas para obter informações detalhadas.
- Certifique-se de que a ficha está devidamente ligada à tomada.
- NÃO ligue vários dispositivos a um adaptador de energia, para evitar o superaquecimento de riscos de incêndio provocados por sobrecarga.
- Utilize o adaptador de alimentação fornecido por um fabricante qualificado. Para informações detalhadas sobre os requisitos relativos à alimentação, consulte as especificações do produto.

### **Bateria**

- Antes de o utilizar pela primeira vez, carregue o dispositivo durante 3 horas.
- A utilização ou substituição inadequadas da bateria poderá resultar em risco de explosão. Substitua apenas por uma bateria do mesmo tipo ou de tipo equivalente. Elimine as baterias usadas em conformidade com as instruções fornecidas pelo fabricante da bateria.
- A bateria integrada não pode ser desmontada. Contacte o fabricante caso necessite de uma reparação.
- Em caso de armazenamento prolongado da bateria, certifique-se de que esta é totalmente carregada de 6 em 6 meses, garantindo, assim, a sua qualidade. Caso contrário, poderão ocorrer danos.
- Utilize uma bateria fornecida por um fabricante qualificado. Para informações detalhadas sobre os requisitos relacionados com a bateria, consulte as especificações do produto.
- NÃO coloque a bateria perto de uma fonte de calor ou do fogo. Evite a luz solar direta.
- NÃO engula a bateria para evitar queimaduras químicas.
- NÃO coloque a bateria ao alcance das crianças.
- Quando o dispositivo está desligado e a bateria do RTC está cheia, as definições da hora podem permanecer guardadas durante 6 meses.



- Durante a primeira utilização, carregue o dispositivo durante mais de 2,5 horas com este desligado.
- A tensão da bateria é de 3,85 V e a capacidade da bateria é de 2100 mAh.
- A bateria encontra-se certificada pela UL2054.

### Manutenção

- Se o produto não funcionar corretamente, contacte o seu fornecedor ou o seu centro de assistência mais próximo. Não assumimos qualquer responsabilidade por problemas causados por reparações ou manutenções não autorizadas.
- Alguns componentes do dispositivo (por exemplo, condensador eletrolítico) necessita de substituição regular. A duração média varia, portanto, recomenda-se verificação periódica. Entre em contacto com o respetivo revendedor para obter detalhes.
- Limpe o dispositivo suavemente com um pano limpo e uma pequena quantidade de etanol, se necessário.
- Se o equipamento for utilizado de uma forma não especificada pelo fabricante, a proteção providenciada pelo dispositivo poderá ser afetada.

### Serviço de calibração

- Recomendamos remeter uma vez por ano o dispositivo para calibração, contacte o revendedor local para obter mais informação sobre os centros de manutenção. Para obter serviços de calibração mais detalhados, consulte <https://www.hikmicrotech.com/en/support/calibration-service.html>

### Ambiente da utilização

- NÃO exponha o dispositivo a ambientes extremamente quentes, frios, poeirentos, corrosivos, alcalino salinos ou húmidos. Certifique-se de que o ambiente de funcionamento do dispositivo cumpre os requisitos do mesmo. A temperatura de funcionamento deve situar-se entre -10 °C e 50 °C e a humidade de funcionamento deve ser igual ou inferior a 95%.
- Coloque o dispositivo num ambiente seco e bem ventilado.
- NÃO exponha o dispositivo a radiação eletromagnética elevada nem a ambientes com pó.

- NÃO direcione a lente para o sol nem para qualquer outra luz brilhante.
- Quando estiver a utilizar qualquer equipamento a laser, verifique se a lente do dispositivo não se encontra exposta ao feixe de laser, caso contrário pode queimar.
- O dispositivo é adequado para utilização em espaços interiores e exteriores, mas não o exponha a condições húmidas.
- O nível de proteção é IP 54.
- O grau de poluição é 2.

### Suporte técnico

- Enquanto cliente da HIKMICRO , o portal <https://www.hikmicrotech.com/en/contact-us.html> irá ajudá-lo a tirar o máximo partido dos seus produtos HIKMICRO. O portal dá-lhe acesso à nossa equipa de apoio ao cliente, software, documentação, contactos de serviço, etc.

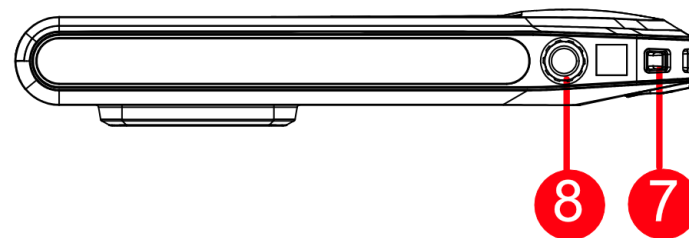
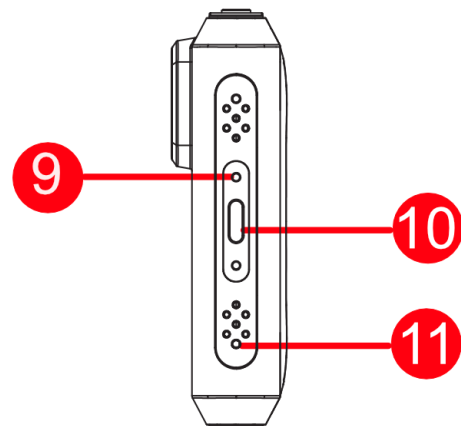
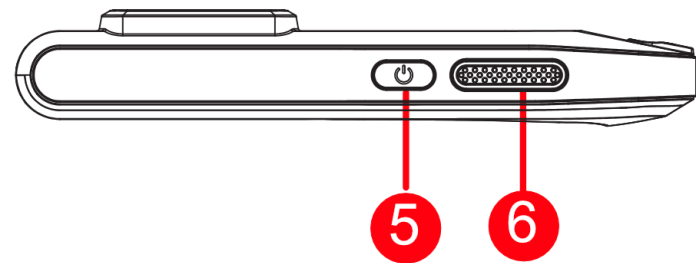
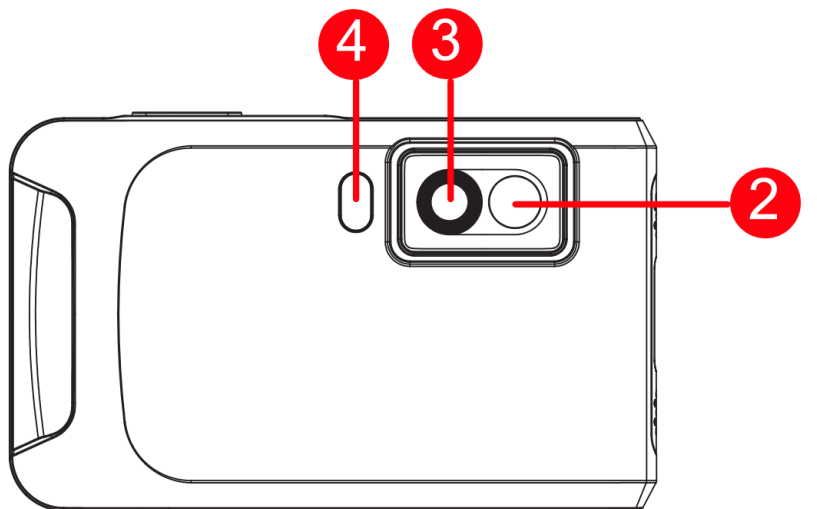
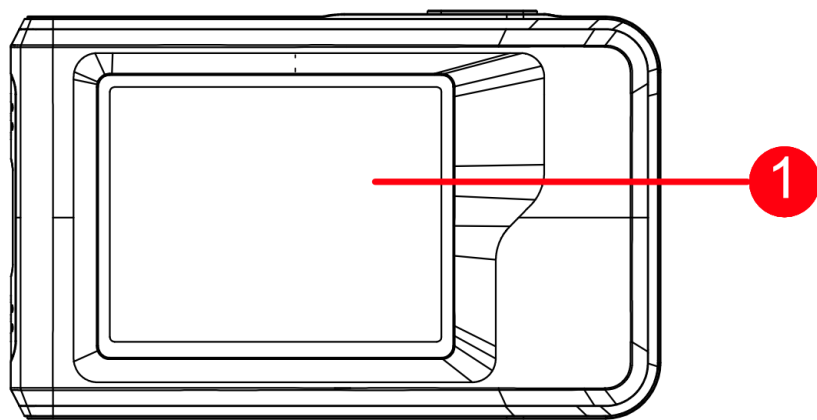
### Emergência

- Caso o dispositivo emita fumo, odores ou ruídos, desligue a alimentação elétrica de imediato, retire o cabo de alimentação da tomada e contacte o centro de assistência.

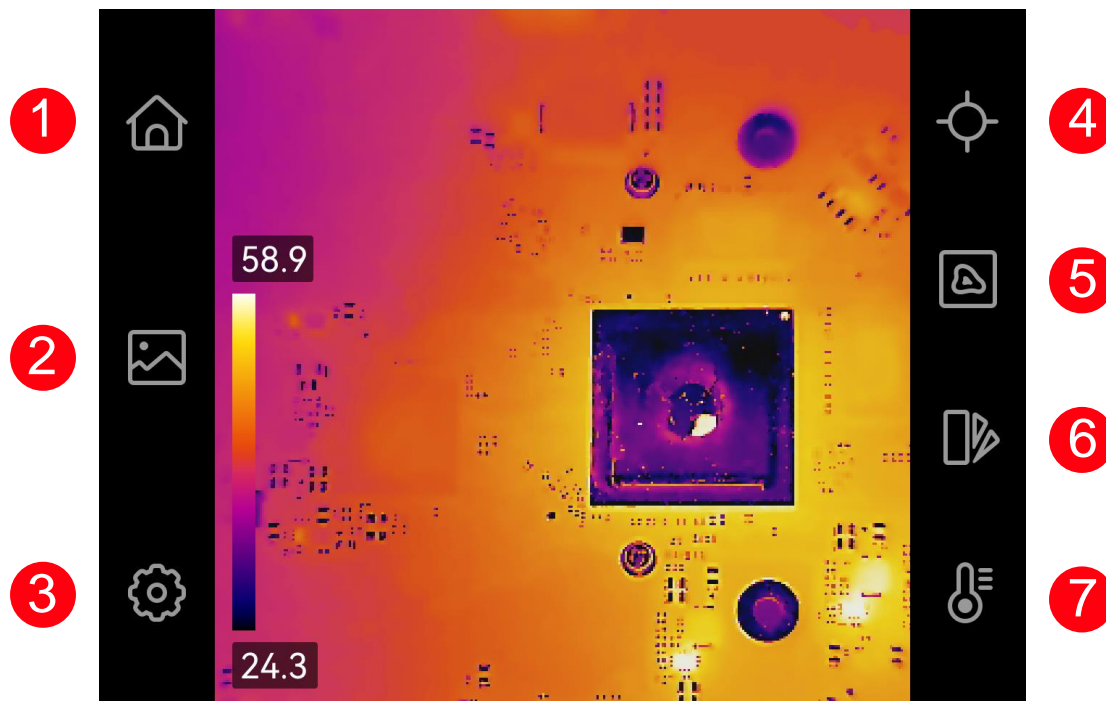
### Endereço do fabricante

Sala 313, Unidade B, Edifício 2, Rua Danfeng 399, Subdistrito Xixing, Distrito Binjiang, Hangzhou, Zhejiang 310052, China  
Hangzhou Microimage Software Co., Ltd.

AVISO DE CONFORMIDADE: Os produtos da série térmica poderão estar sujeitos a controlos de exportação em vários países ou regiões, incluindo sem limite, os Estados Unidos da América, a União Europeia, o Reino Unido e/ou outros países-membro do Acordo de Wassenaar. Consulte o seu especialista em legislação ou em conformidade ou as autoridades locais para saber os requisitos de licença de exportação necessários se pretender transferir, exportar, voltar a exportar os produtos da série térmica entre países diferentes.



N.	Descrizione	Funzione
1	Touch screen	Visualizza le immagini e aziona il dispositivo tramite controllo tattile.
2	Obiettivo	Mostra l'immagine ottica.
3	Obiettivo termico	Mostra l'immagine termografica.
4	Torcia	Consente di illuminare a pieno gli oggetti e invia un allarme luminoso lampeggiante.
5	Pulsante di alimentazione	Tenere premuto per accendere o spegnere il dispositivo.
6	Pulsante di acquisizione	Premere per acquisire un'immagine. Tenere premuto per avviare la registrazione di un video e premere di nuovo per interrompere.
7	Punto di fissaggio della cinghia	Per installare il cinturino da polso.
8	Supporto per treppiede	Montare il treppiede.
9	Indicatore di carica	Indica lo stato di carica del dispositivo. <ul style="list-style-type: none"> <li>● Rosso fisso: carica normale</li> <li>● Rosso lampeggiante: errore di carica</li> <li>● Verde fisso: ricarica terminata</li> </ul>
10	Interfaccia Type-C	Consente di ricaricare il dispositivo o esportare i file con il cavo Type-C.
11	Microfono	Registrazione audio.



N.	Descrizione	Funzione
1	Home	Toccare per tornare alla visualizzazione live.
2	Album	Accede agli album per visualizzare immagini e video acquisiti.
3	Impostazioni	Regolano le impostazioni locali del dispositivo.
4	Misurazioni	Accensione/Spegnimento degli strumenti di misurazione.
5	Modalità di visualizzazione dell'immagine	Cambia la modalità di visualizzazione delle immagini dal vivo da termica, visiva, fusione, ecc.
6	tavolozze	Cambia le tavolozze dei colori dell'immagine termica.

7	Livello e intervallo	Regola l'intervallo di temperatura per la visualizzazione dell'immagine termica.
---	----------------------	--

### Misurazione della temperatura

Con il rilevatore IR a sensibilità alta e il sensore ad alte prestazioni, l'intervallo di misurazione della temperatura varia da -20 °C a 350°C con una precisione massima di  $\pm 2$  °C, oppure del 2% con una temperatura ambiente compresa tra 15 °C e 35 °C e la temperatura dell'oggetto superiore a 0 °C.

### Menu a tendina

Nel menu a tendina è possibile regolare la luminosità e abilitare funzioni come Wi-Fi, hotspot, screencast, torcia elettrica e modalità scura/luminosa.

### Collegamento con il software client

L'app HIKMICRO Viewer consente di visualizzare le immagini dal vivo, acquisire istantanee, effettuare registrazioni video e altro ancora dal proprio telefono. Eseguire la scansione del codice QR per scaricare l'applicazione.

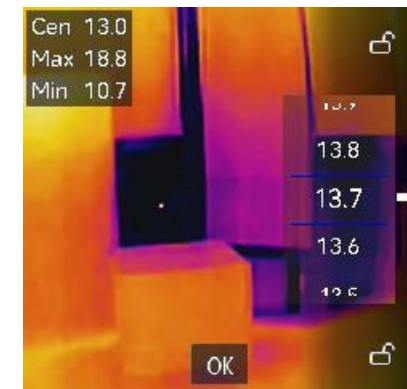
È inoltre possibile scaricare HIKMICRO Analyzer (<https://www.hikmicrotech.com/en/industrial-product/s/hikmicro-analyzer-software.html>) per analizzare le immagini offline in modo professionale e generare un

report sul computer in formato personalizzato.

### Regolazione immagine

Il livello e l'intervallo possono essere regolati manualmente o automaticamente per raggiungere un effetto termico ideale e una migliore analisi della differenza di temperatura.

In modalità automatica, il dispositivo regola automaticamente l'intervallo di temperatura da visualizzare. In modalità manuale, toccare un'area di interesse dello schermo o scorrere la rotellina della temperatura per regolare l'intervallo di temperatura da visualizzare.



**Nota:** La telecamera eseguirà periodicamente una

calibrazione automatica per ottimizzare la qualità dell'immagine e la precisione della misurazione. Durante la procedura l'immagine si fermerà brevemente e sarà possibile sentire un "clic" mentre l'otturatore si sposta davanti al rilevatore. Il messaggio "Calibrazione in corso...." viene visualizzato nella parte superiore centrale della schermata durante la calibrazione automatica del dispositivo. La calibrazione automatica sarà più frequente durante l'avvio o in ambienti molto freddi o caldi. Si tratta di una procedura normale del funzionamento per garantire le prestazioni ottimali della telecamera.

## Manuale dell'utente

Eeguire la scansione del codice QR per ottenere il manuale dell'utente e istruzioni dettagliate sul funzionamento.



## Informazioni legali

### ESCLUSIONE DI RESPONSABILITÀ

NELLA MISURA MASSIMA CONSENTITA DALLA LEGGE VIGENTE, QUESTO MANUALE E IL PRODOTTO DESCRITTO, CON IL SUO HARDWARE, SOFTWARE E FIRMWARE, SONO FORNITI "COSÌ COME SONO" E "CON TUTTI I DIFETTI E

GLI ERRORI". HIKMICRO NON RILASCI ALCUNA GARANZIA, NÉ ESPRESSA NÉ IMPLICITA COME, SOLO A TITOLO DI ESEMPIO, GARANZIE DI COMMERCIALIZZABILITÀ, QUALITÀ SODDISFACENTE O IDONEITÀ PER UN USO SPECIFICO. L'UTENTE UTILIZZA IL PRODOTTO A PROPRIO RISCHIO. HIKMICRO DECLINA QUALSIASI RESPONSABILITÀ VERSO L'UTENTE IN RELAZIONE A DANNI SPECIALI, CONSEGUENZIALI E INCIDENTALI, COMPRESI, TRA GLI ALTRI, I DANNI DERIVANTI DA MANCATO PROFITTO, INTERRUZIONE DELL'ATTIVITÀ O PERDITA DI DATI, DANNEGGIAMENTO DI SISTEMI O PERDITA DI DOCUMENTAZIONE, DERIVANTI DA INADEMPIENZA CONTRATTUALE, ILLECITO (COMPRESA LA NEGLIGENZA), RESPONSABILITÀ PER DANNI AI PRODOTTI O ALTRIMENTI IN RELAZIONE ALL'USO DEL PRODOTTO, ANCHE QUALORA HIKMICRO SIA STATA INFORMATA DELLA POSSIBILITÀ DI TALI DANNI O PERDITE.

L'UTENTE RICONOSCE CHE LA NATURA DI INTERNET PREVEDE RISCHI DI SICUREZZA INTRINSECI E CHE HIKMICRO DECLINA QUALSIASI RESPONSABILITÀ IN RELAZIONE A FUNZIONAMENTI ANOMALI, VIOLAZIONE DELLA RISERVATEZZA O ALTRI DANNI RISULTANTI DA ATTACCHI INFORMATICI, INFEZIONE DA VIRUS O ALTRI RISCHI LEGATI ALLA SICUREZZA SU INTERNET; TUTTAVIA, HIKMICRO FORNIRÀ TEMPESTIVO SUPPORTO TECNICO, SE NECESSARIO.

L'UTENTE ACCETTA DI UTILIZZARE IL PRODOTTO IN CONFORMITÀ A TUTTE LE LEGGI VIGENTI E DI ESSERE IL SOLO RESPONSABILE DI TALE UTILIZZO CONFORME. IN PARTICOLARE, L'UTENTE È RESPONSABILE DEL FATTO CHE L'UTILIZZO DEL PRODOTTO NON VIOLI DIRITTI DI TERZI COME, SOLO A TITOLO DI ESEMPIO, DIRITTI DI PUBBLICITÀ, DIRITTI DI PROPRIETÀ INTELLETTUALE O DIRITTI RELATIVI ALLA PROTEZIONE DEI DATI E ALTRI DIRITTI RIGUARDANTI LA PRIVACY. NON È CONSENTITO UTILIZZARE QUESTO PRODOTTO PER SCOPI PROIBITI, COME, TRA GLI ALTRI, LA PRODUZIONE DI ARMI DI DISTRUZIONE DI MASSA, LO SVILUPPO O LA PRODUZIONE DI ARMI CHIMICHE O BIOLOGICHE, QUALSIASI ATTIVITÀ SVOLTA IN CONTESTI CORRELATI A ESPLOSIVI NUCLEARI O COMBUSTIBILI NUCLEARI NON SICURI O ATTIVITÀ CHE CAUSINO VIOLAZIONI DEI DIRITTI UMANI. IN CASO DI CONFLITTO TRA IL PRESENTE MANUALE E LA LEGGE VIGENTE, PREVARRÀ QUEST'ULTIMA.

### Informazioni sulle norme


---

**Queste clausole si applicano solo ai prodotti recanti il marchio o le informazioni corrispondenti.**

---



## Dichiarazione di conformità UE/UK

 Questo prodotto e gli eventuali accessori in dotazione sono contrassegnati con il marchio "CE", quindi sono conformi alle norme europee armonizzate vigenti di cui alle direttive 2014/30/UE (CEM), 2014/35/UE (direttiva Bassa Tensione) e 2011/65/UE (RoHS) e Direttiva 2014/53/UE.

## Bande di frequenza e potenza (per CE/UK)

I limiti nominali delle bande di frequenza e della potenza di trasmissione (irradiata e/o condotta) applicabili alla seguente apparecchiatura radio sono:

**Wi-Fi:** 2,4 GHz (da 2,4 GHz a 2,4835 GHz): 20 dBm

Per dispositivi senza alimentatore in dotazione, usare alimentatori forniti da un produttore qualificato. Fare riferimento alle specifiche del prodotto per i requisiti di alimentazione dettagliati.

Per i dispositivi senza batteria in dotazione, utilizzare una batteria fornita da un produttore qualificato. Fare riferimento alle specifiche del prodotto per i requisiti di batteria dettagliati.



Direttiva 2012/19/UE (RAEE): i prodotti contrassegnati con il presente simbolo non possono essere smaltiti come rifiuti domestici indifferenziati nell'Unione europea. Per lo smaltimento corretto, restituire il prodotto al rivenditore in occasione dell'acquisto di un nuovo dispositivo o smaltirlo nei punti di raccolta autorizzati. Ulteriori informazioni sono disponibili sul sito: [www.recyclethis.info](http://www.recyclethis.info).



Direttiva 2006/66/CE, modificata dalla direttiva 2013/56/UE (direttiva sulle batterie): questo prodotto contiene una batteria e non è possibile smaltirlo con i rifiuti domestici indifferenziati nell'Unione europea. Consultare la documentazione del prodotto per le informazioni specifiche sulla batteria. La batteria è contrassegnata con il presente simbolo, che potrebbe includere le sigle di cadmio (Cd), piombo (Pb) o mercurio (Hg). Per lo smaltimento corretto, restituire la batteria al rivenditore locale o smaltirla nei punti di raccolta autorizzati. Ulteriori informazioni sono disponibili sul sito: [www.recyclethis.info](http://www.recyclethis.info).

## Istruzioni per la sicurezza

Le presenti istruzioni hanno lo scopo di garantire che il prodotto venga utilizzato in modo corretto, evitando situazioni di pericolo o danni materiali.

## Leggi e regolamenti

- Il prodotto deve essere utilizzato rispettando rigorosamente le norme locali in materia di sicurezza elettrica.

## Trasporto

- Per trasportare il dispositivo, riporlo nella confezione originale o in una analoga.
- Dopo aver disimballato il prodotto, conservare tutto il materiale di imballaggio per riutilizzarlo in futuro. In caso di guasti, sarà necessario inviare il dispositivo al produttore nell'imballaggio originale. Il trasporto senza l'imballaggio originale può causare danni al dispositivo; in tal caso il produttore declina ogni responsabilità.
- Non lasciar cadere il prodotto e non sottoporlo a impatti. Tenere il dispositivo lontano dalle interferenze magnetiche.

## Alimentazione

- La tensione in ingresso deve essere conforme alla norma IEC61010-1 sulle fonti di alimentazione limitate (3,85 VCC; 570 mA). Per informazioni dettagliate, consultare le specifiche tecniche.
- Verificare che la spina sia correttamente inserita nella presa di corrente.
- NON collegare più dispositivi allo stesso alimentatore per evitare rischi di surriscaldamento o di incendio da sovraccarico.
- Utilizzare un alimentatore fornito da un produttore qualificato. Fare riferimento alle specifiche del prodotto per i requisiti di alimentazione dettagliati.

## Batteria

- Caricare l'apparecchio per 3 ore prima di utilizzarlo per la prima volta.
- Utilizzando o sostituendo la batteria in modo errato si possono causare esplosioni. Sostituire la batteria solo con una dello stesso tipo o di tipo equivalente. Smaltire le batterie esaurite secondo le istruzioni del produttore.
- La batteria integrata non può essere smontata. Per eventuali riparazioni, rivolgersi al produttore.
- Se la batteria rimane inutilizzata per lunghi periodi, caricarla completamente ogni sei mesi per garantire una lunga durata. In caso contrario potrebbe subire danni.

- Utilizzare una batteria fornita da un produttore qualificato. Fare riferimento alle specifiche del prodotto per i requisiti di batteria dettagliati.
- NON collocare la batteria vicino a fonti di calore o fuoco. Evitare la luce diretta del sole.
- NON ingoiare la batteria per evitare ustioni chimiche.
- Tenere la batteria fuori dalla portata dei bambini.
- Quando il dispositivo è spento e la batteria RTC completamente carica, le impostazioni dell'ora possono essere conservate per 6 mesi.
- Al primo utilizzo, caricare il dispositivo spento per più di 2,5 ore.
- La batteria ha una tensione di 3,85 V e una capacità di 2.100 mAh.
- La batteria è certificata da UL2054.

### Manutenzione

- Se il prodotto non funziona correttamente, rivolgersi al rivenditore o al centro di assistenza più vicino. Decliniamo qualsiasi responsabilità in relazione a problemi causati da interventi di riparazione o manutenzione non autorizzati.
- Alcuni componenti (ad esempio, il condensatore elettrolitico) devono essere sostituiti periodicamente. La durata media di questi elementi è variabile, quindi devono essere controllati regolarmente. Contattare il rivenditore per i dettagli.
- Se necessario, pulire delicatamente il dispositivo con un panno pulito imbevuto di una piccola quantità di alcool etilico.
- Se il dispositivo viene utilizzato in un modo non approvato dal produttore la garanzia potrebbe essere annullata.

### Servizio di calibrazione

- Si consiglia di inviare il dispositivo per la calibrazione una volta all'anno, dopo aver richiesto al proprio rivenditore locale le informazioni sui centri di manutenzione. Per servizi di calibrazione più dettagliati, consultare la pagina <https://www.hikmicrotech.com/en/support/calibration-service.html>

### Ambiente di utilizzo

- NON esporre il dispositivo ad ambienti estremamente caldi, freddi, polverosi, corrosivi, salino-alcasini o umidi. Verificare che l'ambiente di utilizzo sia conforme ai requisiti del dispositivo. La temperatura operativa

deve essere compresa tra -10 °C e 50 °C (tra 14 °F e 122 °F) e l'umidità non deve superare il 95%.

- Collocare il dispositivo in un ambiente asciutto e ben ventilato.
- NON esporre il dispositivo a radiazioni elettromagnetiche intense o ad ambienti polverosi.
- NON orientare l'obiettivo verso il sole o altre luci intense.
- Quando si utilizzano apparecchiature laser, non esporre l'obiettivo del dispositivo al raggio laser, che potrebbe bruciarlo.
- Il dispositivo è progettato per essere utilizzato in ambienti al chiuso e all'aperto, ma non deve essere esposto a umidità.
- Il livello di protezione è IP 54.
- Il grado di inquinamento è 2.

### Assistenza tecnica

- I clienti HIKMICRO troveranno sul portale <https://www.hikmicrotech.com/en/contact-us.html> tutte le indicazioni necessarie a ottenere il massimo dai propri prodotti HIKMICRO. Il portale permette di accedere al nostro team di assistenza, offre documentazione e strumenti software, contatti per i servizi e molto altro.

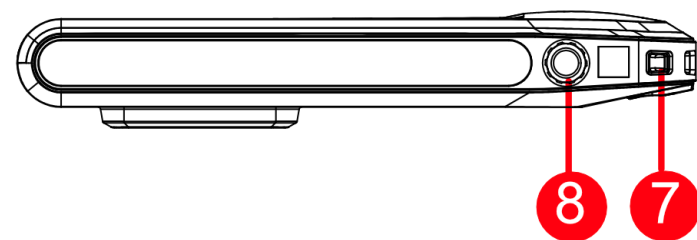
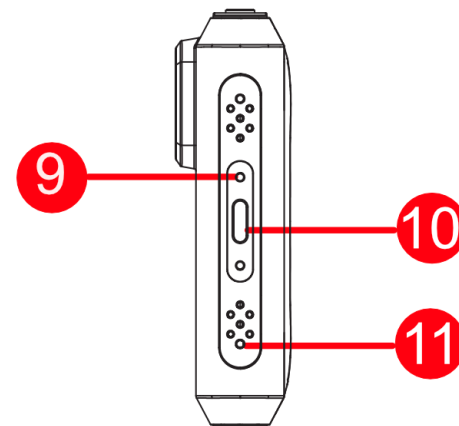
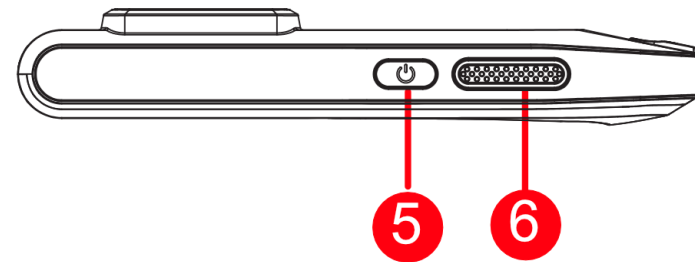
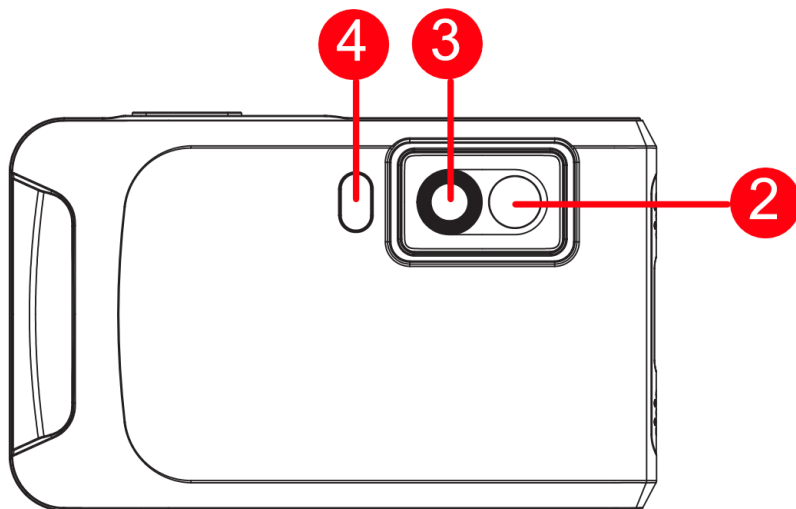
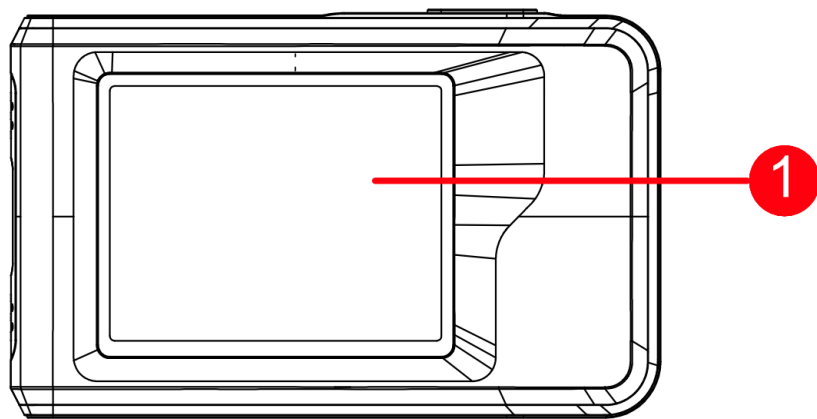
### Emergenza

- Se il dispositivo emette fumo, odori o rumori, spegnerlo immediatamente e scollegare il cavo di alimentazione, quindi rivolgersi a un centro di assistenza.

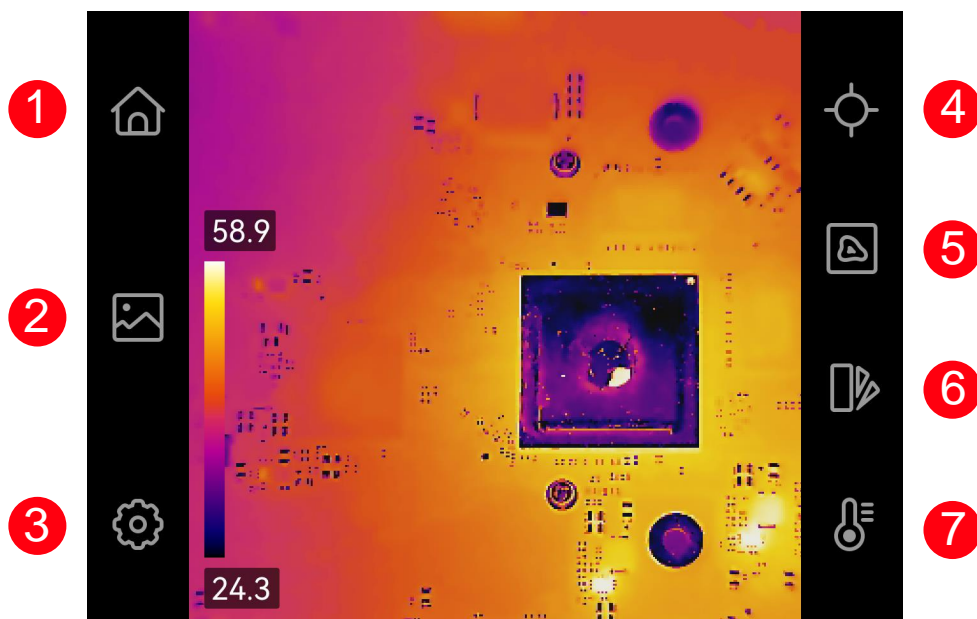
### Indirizzo del produttore

Stanza 313, unità B, edificio 2, via Danfeng 399, subdistretto Xixing, distretto Binjiang, Hangzhou, Zhejiang, 310052, Cina  
Hangzhou Microimage Software Co., Ltd.

**AVVISO SULLA CONFORMITÀ:** i prodotti termografici potrebbero essere soggetti a controlli sulle esportazioni in vari Paesi o regioni, tra cui Stati Uniti, Unione europea, Regno Unito e/o altri Paesi membri dell'accordo di Wassenaar. Consultare un legale o un esperto di conformità o le autorità governative locali per eventuali requisiti di licenza di esportazione necessari se si intende trasferire, esportare, riesportare i prodotti termografici tra diversi Paesi.



Č.	Popis	Funkce
1	Dotyková ovládací obrazovka	Prohlížení obrazu a řízení zařízení pomocí dotykového ovládání.
2	Vizuální objektiv	Slouží k zobrazení optického snímku.
3	Termoobjektiv	Slouží k zobrazení termosnímku.
4	Blesk	Slouží jako doplňkové světlo na objekty a jako výstup blikajícího alarmu.
5	Vypínač	Podržením zapnete/vypnete zařízení.
6	Tlačítko snímání	Stisknutím sejmete snímek. Podržením spustíte nahrávání videa a dalším stisknutím ho zastavíte.
7	Upevňovací bod popruhu	Slouží k připevnění poutka na zápěstí.
8	Držák na stativ	Připevněte stativ.
9	Indikátor nabíjení	Zjistěte stav nabíjení zařízení. <ul style="list-style-type: none"> <li>● Svítí červeně: normální nabíjení</li> <li>● Bliká červeně: výjimka z nabíjení</li> <li>● Svítí zeleně: plně nabito</li> </ul>
10	Konektor typu C	Slouží k nabíjení zařízení nebo exportu souborů přes kabel typu C.
11	Mikrofon	Slouží k nahrávání zvuku.



obrazu	atd.
6 palety	Přepínání barevných palet termovizního obrazu.
7 Úroveň a rozpětí	Úprava teplotního rozsahu pro zobrazení termovizního obrazu.

### 6 Měření teploty

S vestavěným vysoce citlivým detektorem IR a vysoce výkonným senzorem je rozsah měření teploty  $-20$  až  $350$  °C s přesností měření teploty  $\pm 2$  °C nebo 2 % při okolní teplotě 15 až 35 °C a teplotě objektu vyšší než 0 °C.

### Nabídka zobrazená po přejetí prstem

V nabídce zobrazené po přejetí prstem dolů můžete nastavit jas a povolit funkce jako síť Wi-Fi, hotspot, vysílání obrazovky, blesk a tmavý/jasný režim.

### Připojení klientského softwaru

Prostřednictvím aplikace HIKMICRO Viewer můžete na telefonu zobrazit živé zobrazení, pořizovat snímky a nahrávat videa. Chcete-li stáhnout aplikaci, naskenujte kód QR na obalu.

A k profesionální analýze snímků offline a ke generování zprávy na počítači ve vlastním formátu si můžete stáhnout aplikaci HIKMICRO Analyzer

Č.	Popis	Funkce
1	Domů	Klepnutím se vrátíte do živého zobrazení.
2	Alba	Vstupem do alb můžete prohlížet zachycené snímky a videa.
3	Nastavení	Úprava místních nastavení zařízení.
4	Měření	Zapnutí nebo vypnutí měřicích nástrojů.
5	Režim zobrazení	Přepínání režimu živého zobrazení na termovizní, vizuální, prolnuté

(<https://www.hikmicrotech.com/en/industrial-product/s/hikmicro-analyzer-software.html>).

## Nastavení obrazu

Pro lepší analýzu teplotního rozdílu a dosažení dobrého termálního efektu lze ručně nebo automaticky nastavit možnost Úroveň a rozsah.

V automatickém režimu nastaví zařízení teplotní rozsah pro zobrazení automaticky. V ručním režimu můžete na obrazovce klepnout na oblast zájmu a otáčením kolečka s teplotou upravit teplotní rozsah k zobrazení.



**Poznámka:** Vaše kamera bude pravidelně provádět samokalibraci, aby optimalizovala kvalitu obrazu a přesnost měření. Během tohoto procesu se obraz na okamžik zastaví a uslyšíte „cvaknutí“, způsobené pohybem závěrky před detektorem. Když se zařízení kalibruje samo, zobrazí se nahoře uprostřed obrazovky

text „Kalibrování...“. Samokalibrace bude častější během spouštění nebo ve velmi chladných či velmi horkých prostředích. Jde o běžné chování kamery při provozu, které zajišťuje její optimální výkon.

## Návod k obsluze

Podrobné pokyny k obsluze získáte v návodu k obsluze dostupném po naskenování kódu QR.



## Právní informace

### PROHLÁŠENÍ O VYLOUČENÍ ODPOVĚDNOSTI

TATO PŘÍRUČKA A POPISOVANÉ PRODUKTY VČETNĚ PŘÍSLUŠNÉHO HARDWARU, SOFTWARE A FIRMWARE JSOU V MAXIMÁLNÍM ROZSAHU PŘÍPUSTNÉM PODLE ZÁKONA POSKYTOVÁNY, „JAK STOJÍ A LEŽÍ“, A „SE VŠEMI VADAMI A CHYBAMI“. SPOLEČNOST HIKMICRO NEPOSKYTUJE ŽÁDNÉ VÝSLOVNÉ ANI PŘEDPOKLÁDANÉ ZÁRUKY ZARNUJÍCÍ MIMO JINÉ PRODEJNOST, USPOKOJIVOU KVALITU NEBO VHODNOST KE KONKRÉTNÍM ÚČELŮM. POUŽÍVÁNÍ TOHOTO PRODUKTU JE NA VAŠE VLASTNÍ RIZIKO. SPOLEČNOST HIKMICRO V ŽÁDNÉM PŘÍPADĚ NENESE ODPOVĚDNOST ZA JAKÉKOLI ZVLÁŠTNÍ, NÁSLEDNÉ, NÁHODNÉ NEBO NEPŘÍMÉ ŠKODY ZAHRNÚJÍCÍ MIMO JINÉ ŠKODY ZE ZTRÁTY OBCHODNÍHO ZISKU, PŘERUŠENÍ OBCHODNÍ ČINNOSTI NEBO ZTRÁTY DAT, POŠKOZENÍ SYSTÉMŮ NEBO ZTRÁTY DOKUMENTACE V SOUVISLOSTI S POUŽÍVÁNÍM TOHOTO VÝROBKU BEZ OHLEDU NA TO, ZDA TAKOVÉ ŠKODY VZNIKLY Z DŮVODU PORUŠENÍ SMLOUVY, OBČANSKOPRÁVNÍHO PŘEČINU (VČETNĚ NEDBALOSTI) ČI ODPOVĚDNOSTI ZA PRODUKT, A TO ANI V PŘÍPADĚ, ŽE SPOLEČNOST HIKMICRO BYLA NA MOŽNOST TAKOVÝCHTO ŠKOD NEBO ZTRÁTY UPOZORNĚNA.



BERETE NA VĚDOMÍ, ŽE INTERNET SVOU PODSTATOU PŘEDSTAVUJE SKRYTÁ BEZPEČNOSTNÍ RIZIKA A SPOLEČNOST HIKMICRO PROTO NEPŘEBÍRÁ ŽÁDNOU ODPOVĚDNOST ZA NESTANDARDNÍ PROVOZNÍ CHOVÁNÍ, ÚNIK OSOBNÍCH ÚDAJŮ NEBO JINÉ ŠKODY VYPLÝVAJÍCÍ Z KYBERNETICKÉHO ČI HACKERSKÉHO ÚTOKU, NAPADENÍ VIREM NEBO ŠKODY ZPŮSOBENÉ JINÝMI INTERNETOVÝMI BEZPEČNOSTNÍMI RIZIKY; SPOLEČNOST HIKMICRO VŠAK V PŘÍPADĚ POTŘEBY POSKYTNE VČASNOU TECHNICKOU PODPORU. SOUHLASÍTE S TÍM, ŽE TENTO PRODUKT BUDE POUŽÍVÁN V SOULADU SE VŠEMI PLATNÝMI ZÁKONY A VÝHRADNĚ ODPOVÍDÁTE ZA ZAJIŠTĚNÍ, ŽE VAŠE UŽÍVÁNÍ BUDE V SOULADU S PLATNOU LEGISLATIVOU. ODPOVÍDÁTE ZEJMÉNA ZA POUŽÍVÁNÍ PRODUKTU ZPŮSOBEM, KTERÝ NEPORUŠUJE PRÁVA TŘETÍCH STRAN, COŽ ZAHRNÚJE MIMO JINÉ PRÁVO NA OCHRANU OSOBNOSTI, PRÁVO DUŠEVNÍHO VLASTNICTVÍ NEBO PRÁVO NA OCHRANU OSOBNÍCH ÚDAJŮ A DALŠÍ PRÁVA NA OCHRANU SOUKROMÍ. TENTO PRODUKT NESMÍTE POUŽÍVAT K JAKÝMKOLI NEDOVOLENÝM KONCOVÝM ÚČELŮM VČETNĚ VÝVOJE ČI VÝROBY ZBRANÍ HROMADNÉHO NIČENÍ, VÝVOJE NEBO VÝROBY CHEMICKÝCH ČI BIOLOGICKÝCH ZBRANÍ NEBO JAKÝCHKOLI ČINNOSTÍ SOUVISEJÍCÍCH S JADERNÝMI VÝBUŠNINAMI NEBO NEBEZPEČNÝM JADERNÝM PALIVOVÝM CYKLEM ČI K PODPOŘE PORUŠOVÁNÍ LIDSKÝCH PRÁV. V PŘÍPADĚ JAKÉHOKOLI ROZPORU MEZI TÍMTO NÁVODEM A PŘÍSLUŠNÝMI ZÁKONY PLATÍ DRUHÉ ZMÍNĚNÉ.

### Zákonné informace

---

**Tyto části se vztahují pouze k výrobkům nesoucím odpovídající označení nebo informaci.**

---

### Prohlášení o dodržování předpisů EU / Spojeného království

**CE** Tento výrobek, a případně i dodané příslušenství, jsou označeny štítkem „CE“, což znamená, že vyhovují příslušným harmonizovaným evropským normám uvedeným ve směrnici 2014/30/EU (EMCD), směrnici 2014/35/EU (LVD), směrnici 2011/65/EU (RoHS) a směrnici 2014/53/EU.

### Frekvenční pásma a výkon (pro CE / Spojené království)

Frekvenční pásma a jmenovité limity vysílacího výkonu (vyzařovaného anebo vedeného) platné pro následující rádiová zařízení jsou tato:

**Síť Wi-Fi:** 2,4 GHz (2,4 GHz až 2,4835 GHz): 20 dBm

U zařízení bez dodaného napájecího adaptéru použijte napájecí adaptér dodaný kvalifikovaným výrobcem. Podrobné požadavky na napájení naleznete ve specifikaci výrobku.

U zařízení bez dodané baterie použijte baterii dodanou kvalifikovaným výrobcem. Podrobné požadavky na baterii naleznete ve specifikaci výrobku.



Směrnice 2012/19/EU (směrnice WEEE): Výrobky označené tímto symbolem nelze v Evropské unii likvidovat společně s netříděným domovním odpadem. Při zakoupení nového ekvivalentního výrobku tento výrobek řádně zrecyklujte vrácením svému místnímu dodavateli, nebo jej zlikvidujte odevzdáním v určených sběrných místech. Další informace naleznete na adrese: [www.recyclethis.info](http://www.recyclethis.info).



Směrnice 2006/66/ES a její úprava 2013/56/EU (směrnice o bateriích): Tento výrobek obsahuje baterii, kterou nelze v Evropské unii likvidovat společně s netříděným domovním odpadem. Konkrétní informace o baterii naleznete v dokumentaci výrobku. Baterie je označena tímto symbolem, který může obsahovat písmena značící kadmium (Cd), olovo (Pb) nebo rtuť (Hg). Za účelem řádné recyklace baterii odevzdejte svému dodavateli nebo na určené sběrné místo. Další informace naleznete na adrese: [www.recyclethis.info](http://www.recyclethis.info).

### Bezpečnostní pokyny

Účelem těchto pokynů je zajistit, aby uživatel mohl výrobek správně používat a zabránilo se nebezpečí nebo újmě na majetku.

### Zákony a předpisy

- Používání výrobku musí být přísně v souladu s místními bezpečnostními předpisy pro elektrická zařízení.

### Přeprava

- Při přepravě uchovávejte zařízení v původním nebo jemu podobném balení.
- Po vybalení uchovejte veškeré obaly pro budoucí použití. V případě jakékoli poruchy je třeba vrátit zařízení výrobcem v původním obalu. Přeprava bez původního obalu může vést k poškození zařízení, za které společnost nenesou odpovědnost.
- Produkt nevystavujte fyzickým nárazům a zabraňte jeho spadnutí. Udržujte zařízení mimo dosah magnetického rušení.

### Napájení

- Vstupní napětí musí dle standardu IEC61010-1 splňovat požadavky na

omezený zdroj napájení (3,85 V DC, 570 mA). Podrobné informace naleznete v technických údajích.

- Zkontrolujte, zda je zástrčka řádně zapojena do napájecí zásuvky.
- K jednomu napájecímu adaptéru NEPŘIPOJUJTE více zařízení, abyste zabránili přehřátí nebo nebezpečí požáru v důsledku přetížení.
- Používejte napájecí adaptér dodaný kvalifikovaným výrobcem. Podrobné požadavky na napájení naleznete ve specifikaci výrobku.

### Baterie

- Před prvním použitím nabíjejte zařízení alespoň pod dobu 3 hodin.
- Nesprávné používání nebo výměna baterie mohou vést k nebezpečí výbuchu. Baterii nahrazujte pouze stejným nebo odpovídajícím typem. Použité baterie likvidujte dle pokynů poskytnutých výrobcem baterie.
- Vestavěnou baterii nelze rozebírat. Je-li třeba ji opravit, obraťte se na výrobce.
- Při dlouhodobém skladování baterii každého půl roku plně nabijte, abyste zajistili zachování její kvality. V opačném případě může dojít k jejímu poškození.
- Používejte baterii dodanou kvalifikovaným výrobcem. Podrobné požadavky na baterii naleznete ve specifikaci výrobku.
- NEPOKLÁDEJTE baterii poblíž zdroje tepla nebo ohně. Vyhněte se přímému slunečnímu záření.
- Baterii NEPOLYKEJTE, mohlo by dojít k chemickým popáleninám.
- NEPOKLÁDEJTE baterii na místa v dosahu dětí.
- Pokud je zařízení vypnuté a baterie RTC je plně nabita, lze nastavení času uchovat po dobu 6 měsíců.
- Před prvním použitím nabijte zařízení ve vypnutém stavu po dobu více než 2,5 hodiny.
- Napětí baterie je 3,85 V a kapacita baterie je 2 100 mAh.
- Baterie je certifikována dle standardu UL2054.

### Údržba

- V případě, že výrobek nefunguje správně, obraťte se na prodejce nebo na nejbližší servisní středisko. Nepřebíráme žádnou odpovědnost za problémy způsobené neoprávněnou opravou nebo údržbou.
- Některé z komponent zařízení (např. elektrolytický kondenzátor) je nutné pravidelně vyměňovat. Průměrná doba životnosti se liší, doporučujeme proto pravidelné kontroly. Podrobnosti vám poskytne prodejce.
- V případě potřeby zařízení jemně otřete čistým hadříkem navlhčeným malým množstvím etanolu.
- V případě použití zařízení způsobem jiným než určeným výrobcem může

dojít ke zrušení platnosti záruky.

### Služba kalibrace

- Doporučujeme, abyste zařízení zasílali jednou za rok zpět ke kalibraci. Informace o místech nabízejících údržbu vám poskytne místní prodejce. Podrobnější informace o kalibračních službách naleznete na adrese <https://www.hikmicrotech.com/en/support/calibration-service.html>

### Provozní prostředí

- NEVYSTAVUJTE zařízení extrémně horkému, chladnému, prašnému, korozivnímu, slanému/zásaditému nebo vlhkému prostředí. Zajistěte, aby provozní prostředí vyhovovalo požadavkům zařízení. Provozní teplota musí být -10 °C až 50 °C a provozní vlhkost musí být max. 95 %.
- Umístěte zařízení na suché a dobře větrané místo.
- NEVYSTAVUJTE zařízení silnému elektromagnetickému záření ani prašnému prostředí.
- NEMÍŘTE objektivem do slunce ani do jiného zdroje jasného světla.
- Používá-li se nějaké laserové zařízení, zajistěte, aby nebyl objektiv zařízení vystaven laserovému paprsku. V opačném případě by se mohl vypálit.
- Zařízení je vhodné pro používání uvnitř i venku, ale nevystavujte jej vlhkosti.
- Úroveň krytí je IP 54.
- Stupeň znečištění je 2.

### Technická podpora

- Portál <https://www.hikmicrotech.com/en/contact-us.html> vám jako zákazníkovi společnosti HIKMICRO pomůže získat z vašich produktů HIKMICRO co nejvíc. Na portálu máte přístup k týmu podpory, softwaru a dokumentaci, kontaktním údajům servisu atd.

### Stav nouze

- Pokud ze zařízení vychází kouř, zápach nebo hluk, zařízení okamžitě vypněte, odpojte napájecí kabel a obraťte se na servisní středisko.

### Adresa výrobce

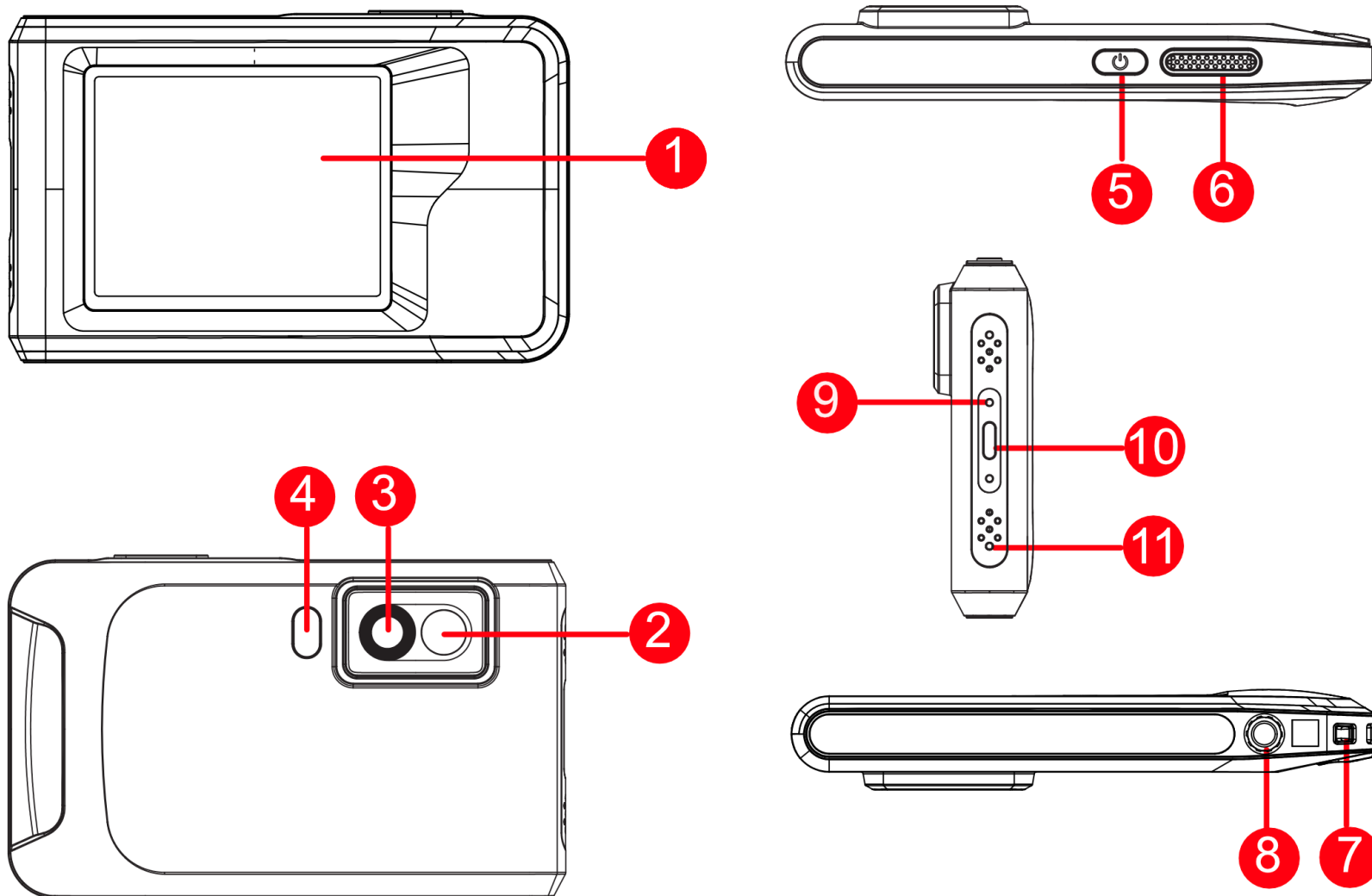
Místnost 313, jednotka B, budova 2, ulice Danfeng 399, podobvod Xixing, obvod Binjiang, Hangzhou, Zhejiang 310052, Čína  
Hangzhou Microimage Software Co., Ltd.

POZNÁMKA O DODRŽOVÁNÍ PŘEDPISŮ: Na výrobky termální řady se mohou vztahovat vývozní opatření v různých zemích nebo regionech včetně, mimo

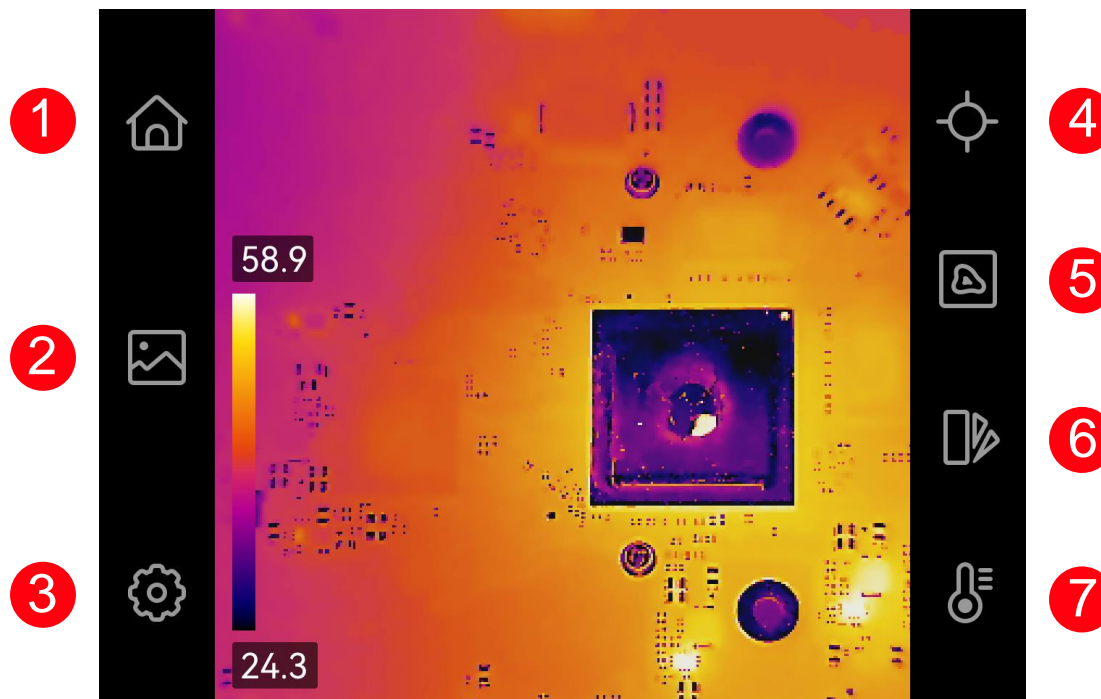
jiné, Spojených států, Evropské unie, Spojeného království a dalších členských států Wassenaarského ujednání. Máte-li v úmyslu přenášet, exportovat nebo opětovně exportovat výrobky termální řady mezi různými

zeměmi, obraťte se na profesionálního právníka, odborníka v oblasti dodržování předpisů nebo místní úřady, aby vám sdělili všechny nezbytné licenční požadavky pro export.

## Slovenčina



Číslo	Popis	Funkcia
1	Obrazovka dotykového ovládania	Zobrazenie obrazu a ovládanie zariadenia pomocou dotykového ovládania.
2	Vizuálny objektív	Zobrazenie optického obrazu.
3	Tepelný objektív	Zobrazenie tepelného obrazu.
4	Baterka	Osvetlenie objektov a výstupný blikajúci alarm.
5	Kláves napájania	Podržaním zariadenie zapnete alebo vypnete.
6	Kláves snímania	Stlačením spravíte snímku. Podržaním spustíte nahrávanie videa a opätovným stlačením ho zastavíte.
7	Bod na pripojenie popruhu	Slúži na upevnenie popruhu na zápästie.
8	Bod na upevnenie trojnožky	Slúži na upevnenie trojnožky.
9	Indikátor nabíjania	Signalizuje stav nabitia zariadenia. <ul style="list-style-type: none"> <li>● Neprerušovaná červená: normálne nabíjanie</li> <li>● Blikajúca červená: chyba pri nabíjaní</li> <li>● Neprerušovaná zelená: úplne nabité</li> </ul>
10	Rozhranie Type-C	Pomocou kábla typu C môžete zariadenie nabíjať alebo exportovať súbory.
11	Mikrofón	Záznam zvuku.



Číslo	Popis	Funkcia
1	Domov	Ťuknutím sa vrátite do živého zobrazenia.
2	Albumov	Zadajte albumy na zobrazenie nasnímaných snímok a videí.
3	Nastavenia	Úprava lokálnych nastavení zariadenia.
4	Merania	Zapnutie/vypnutie nástrojov na meranie.
5	Režim zobrazenia	Prepínanie režimu zobrazenia živého obrazu medzi termografickým, vizuálnym, fúznym atď.
6	Paliet	Prepínanie paliet farieb termografického obrazu.
7	Úroveň a rozpätie	Nastavenie teplotného rozsahu na zobrazenie termografického obrazu.

## Meranie teploty

Vďaka zabudovanému vysokocitlivému infračervenému detektoru a vysoko výkonnému snímaču je rozsah merania teploty -20 °C až 350 °C (-4 °F až 662 °F) s presnosťou merania teploty  $\pm 2$  °C ( $\pm 3,6$  °F) alebo 2 %, ak je teplota okolia 15 °C až 35 °C (59 °F až 95 °F) a teplota objektu je vyššia ako 0 °C (32 °F).

## Ponuka po potiahnutí nadol

V ponuke po potiahnutí nadol môžete upraviť jas a aktivovať funkcie, ako sú Wi-Fi, prístupový bod, prenos obrazovky, baterka a tmavý/jasný režim.

## Pripojenie klientskeho softvéru

Pomocou aplikácie HIKMICRO Viewer vo vašom telefóne môžete sledovať živé zobrazenie, zachytávať momentky a nahrávať videá. Naskenujte kódy QR na obale a stiahnite si aplikáciu.

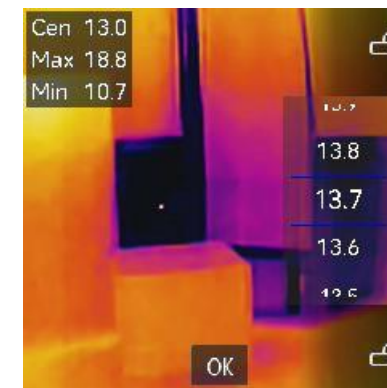
A môžete si stiahnuť aplikáciu HIKMICRO Analyzer (<https://www.hikmicrotech.com/en/industrial-product/s/hikmicro-analyzer-software.html>), ktorá vám umožní profesionálne analyzovať obrázky offline a generovať správu vlastného formátu na vašom PC.

## Úprava obrazu

Úroveň a rozpätie možno nastaviť manuálne alebo

automaticky, aby sa dosiahol dobrý tepelný efekt na lepšiu analýzu teplotných rozdielov.

V automatickom režime zariadenie automaticky upravuje teplotný rozsah na zobrazenie. V manuálnom režime môžete klepnúť na oblasť záujmu na obrazovke a otáčaním teplotného kolieska nastaviť teplotný rozsah na zobrazenie.



**Poznámka:** Váš fotoaparát bude pravidelne vykonávať samokalibráciu na optimalizáciu kvality obrazu a presnosti merania. Pri tomto postupe sa obraz nakrátko zastaví a budete počuť „cvaknutie“, keď sa bude uzávierka pohybovať pred detektorom. Počas automatickej kalibrácie zariadenia sa hore v strede obrazovky zobrazí výzva „Prebieha kalibrácia...“. Automatická kalibrácia bude častejšia počas spúšťania alebo vo veľmi chladnom alebo horúcom prostredí. Ide



o bežnú súčasť činnosti na zabezpečenie optimálneho výkonu kamery.

## Návod na používanie

Podrobný návod na obsluhu získate v návode na používanie naskenovaním kódu QR.



## Právne informácie

### PRÁVNE VYHLÁSENIE O VYLÚČENÍ ZODPOVEDNOSTI

V MAXIMÁLNO M MOŽNOM ROZSAHU, KTORÝ POVOĽUJÚ PRÍSLUŠNÉ PRÁVNE PREDPISY, SA TÁTO PRÍRUČKA A OPÍSANÝ PRODUKT SPOLU S JEHO HARDVÉROM, SOFTVÉROM A FIRMVÉROM, DODÁVAJÚ V STAVE „AKO SÚ“ A „SO VŠETKÝMI PORUCHAMI A CHYBAMI“. SPOLOČNOSŤ HIKMICRO NEPOSKYTUJE ŽIADNE VÝSLOVNÉ ANI PREDPOKLADANÉ ZÁRUKY, OKREM INÉHO O PREDAJNOSTI, USPOKOJIVEJ KVALITE ALEBO VHODNOSTI NA KONKRÉTNY ÚČEL. POUŽÍVANIE PRODUKTU JE NA VAŠE VLASTNÉ RIZIKO. SPOLOČNOSŤ HIKMICRO V ŽIADNOM PRÍPADE NENESIE ZODPOVEDNOSŤ ZA ŽIADNE OSOBNÉ, NÁSLEDNÉ, NÁHODNÉ ALEBO NEPRIAME ŠKODY, OKREM INÉHO VRÁTANE ŠKÔD Z UŠLÉHO PODNIKATEĽSKÉHO ZISKU, PRERUŠENIA PODNIKANIA, STRATY ÚDAJOV, POŠKODENIA SYSTÉMOV ALEBO STRATY DOKUMENTÁCIE, ČI UŽ NA ZÁKLADE PORUŠENIA ZMLUVY, PREČINU (VRÁTANE NEDBALOSTI), ZODPOVEDNOSTI ZA PRODUKT ALEBO INAK V SÚVISLOSTI S POUŽÍVANÍM PRODUKTU, A TO ANI V PRÍPADE, AK BOLA SPOLOČNOSŤ HIKMICRO UPOZORNENÁ NA MOŽNOSŤ TAKÝCHTO ŠKÔD.

UZNÁVATE, ŽE Z POVAHY INTERNETU VYPLÝVAJÚ INHERENTNÉ BEZPEČNOSTNÉ RIZIKÁ A SPOLOČNOSŤ HIKMICRO NENESIE ŽIADNU ZODPOVEDNOSŤ ZA NEŠTANDARDNÚ PREVÁDZKU, ÚNIK OSOBNÝCH ÚDAJOV ANI ZA INÉ ŠKODY V DÔSLEDKU KYBERNETICKÉHO ÚTOKU, HAKERSKÉHO ÚTOKU, VÍRUSOVEJ INFEKČIE ALEBO INÝCH BEZPEČNOSTNÝCH

RIZÍK SIETE INTERNET; V PRÍPADE POTREBY VŠAK SPOLOČNOSŤ HIKMICRO POSKYTNE VČASNÚ TECHNICKÚ PODPORU.

SÚHLASÍTE S POUŽÍVANÍM TOHTO PRODUKTU V SÚLADE SO VŠETKÝMI PRÍSLUŠNÝMI ZÁKONMI A NESIETE VÝHRADNÚ ZODPOVEDNOSŤ ZA ZABEZPEČENIE, ABY VAŠE POUŽÍVANIE BOLO V SÚLADE S PRÍSLUŠNÝMI ZÁKONMI. STE OBZVLÁŠŤ ZODPOVEDNÍ ZA POUŽÍVANIE TOHTO PRODUKTU SPÔSOBOM, KTORÝ NEPORUŠUJE PRÁVA TRETÍCH STRÁN, OKREM INÉHO PRÁVA PUBLICITY, PRÁVA DUŠEVNÉHO VLASTNÍCTVA, PRÁVA NA OCHRANU ÚDAJOV A INÉ PRÁVA NA OCHRANU SÚKROMIA. TENTO PRODUKT NESMIETE POUŽÍVAŤ NA ŽIADNE ZAKÁZANÉ ÚČELY VRÁTANE VÝVOJA ALEBO VÝROBY ZBRANÍ HROMADNÉHO NIČENIA, VÝVOJA ALEBO VÝROBY CHEMICKÝCH ALEBO BIOLOGICKÝCH ZBRANÍ, AKÝCHKOĽVEK AKTIVÍT V SÚVISLOSTI S AKOUKOĽVEK JADROVOU VÝBUŠNINOU ALEBO NEBEZPEČNÝM CYKLOM JADROVÉHO PALIVA, ALEBO NA PODPORU ZNEUŽÍVANIA ĽUDSKÝCH PRÁV.

V PRÍPADE AKÉHOKOĽVEK NESÚLADU MEDZI TOUTO PRÍRUČKOU A PRÍSLUŠNÝMI PRÁVNÝMI PREDPISMI MAJÚ PREDNOSŤ PRÍSLUŠNÉ PRÁVNE PREDPISY.

### Regulačné informácie

---

**Tieto ustanovenia platia len pre produkty s príslušným označením alebo údajom.**

---

### Vyhlásenie o zhode s predpismi EÚ/UK

**CE** Tento produkt a dodané príslušenstvo, ak je to relevantné, sú takisto označené značkou „CE“, takže sú v súlade s príslušnými harmonizovanými európskymi normami uvedenými v smernici 2014/30/EÚ (EMCD), smernici 2014/35/EÚ (LVD), smernici 2011/65/EÚ (RoHS) a smernici 2014/53/EÚ.

### Frekvenčné pásma a výkon (pre CE/UK)

Frekvenčné pásma a nominálne limity vysielacieho výkonu (vyžarovaný resp. vedený) platné pre nasledujúce rádiové zariadenia sú nasledovné:

**Wi-Fi:** 2,4 GHz (2,4 GHz až 2,4835 GHz): 20 dBm

Ak vaše zariadenie bolo dodané bez napájacieho adaptéra, používajte napájací adaptér dodaný kvalifikovaným výrobcom. Podrobné požiadavky

na napájanie nájdete v špecifikácii výrobku.

Ak vaše zariadenie bolo dodané bez batérie, používajte batériu dodanú kvalifikovaným výrobcom. Podrobné požiadavky na batériu nájdete v špecifikácii výrobku.



Smernica 2012/19/EÚ (smernica o odpade z elektrických a elektronických zariadení): Produkty označené týmto symbolom sa v rámci Európskej únie nesmú likvidovať spolu s netriedeným komunálnym odpadom. Po zakúpení ekvivalentného nového zariadenia zrecyklujte produkt tým, že ho odovzdáte miestnemu dodávateľovi alebo ho zlikvidujete na určených zberných miestach. Ďalšie informácie nájdete na: [www.recyclethis.info](http://www.recyclethis.info).



Smernica 2006/66/ES a príslušné doplnenia 2013/56/EÚ (smernica o batériách): Tento produkt obsahuje batériu, ktorá sa v rámci Európskej únie nesmie likvidovať spolu s netriedeným komunálnym odpadom. Konkrétne informácie o batérii nájdete v dokumentácii produktu. Batéria je označená týmto symbolom, ktorý môže obsahovať písmená označujúce obsah kadmia (Cd), olova (Pb) alebo ortuti (Hg). Zrecyklujte batériu tým, že ju odovzdáte dodávateľovi alebo ju zlikvidujete na určenom zbernom mieste. Ďalšie informácie nájdete na: [www.recyclethis.info](http://www.recyclethis.info).

### Bezpečnostné pokyny

Tieto pokyny slúžia na zabezpečenie správneho používania produktu používateľom s cieľom predchádzať vzniku nebezpečenstva alebo majetkovým stratám.

### Právne predpisy a nariadenia

- Používanie produktu musí byť v prísnom súlade s miestnymi elektroinštaláčnymi bezpečnostnými predpismi.

### Preprava

- Pri preprave ponechajte zariadenie v pôvodnom alebo podobnom balení.
- Po rozbalení si všetky obaly odložte na budúce použitie. V prípade výskytu poruchy bude potrebné, aby ste zariadenie vrátili do výrobcovi v pôvodnom obale. Pri preprave bez pôvodného obalu môže dôjsť k poškodeniu zariadenia a spoločnosť za to nebude niesť žiadnu zodpovednosť.
- Chráňte zariadenie pred pádom alebo nárazom. Zariadenie chráňte pred magnetickým rušením.

### Zdroj napájania

- Vstupné napätie musí spĺňať podmienky veľmi nízkeho napätia (3,85 V jednosmerné, 570 mA) podľa normy IEC61010-1. Podrobné informácie nájdete v technických špecifikáciách.
- Skontrolujte, či je zástrčka správne pripojená k napájacej zásuvke.
- K jednému napájacímu adaptéru NEPRIPÁJAJTE viacero zariadení, aby nedošlo k prehriatiu alebo riziku požiaru v dôsledku preťaženia.
- Používajte napájací adaptér dodaný kvalifikovaným výrobcom. Podrobné požiadavky na napájanie nájdete v špecifikácii výrobku.

### Batéria

- Pred prvým použitím zariadenie nabíjajte 3 hodiny.
- Nesprávne používanie alebo výmena batérie môžu viesť k nebezpečenstvu výbuchu. Batériu nahrádzajte iba rovnakým alebo ekvivalentným typom. Použité batérie zlikvidujte podľa pokynov výrobcu batérie.
- Zabudovanú batériu nemožno rozoberať. V prípade potreby opravy sa obráťte na výrobcu.
- Pri dlhodobom uskladnení batériu každý polrok úplne nabite, čím zaistíte jej kvalitu. V opačnom prípade môže dôjsť k poškodeniu.
- Používajte batériu dodanú kvalifikovaným výrobcom. Podrobné požiadavky na batériu nájdete v špecifikácii výrobku.
- Batériu NEDÁVAJTE do blízkosti zdrojov tepla alebo ohňa. Vyvarujte sa priameho slnečného žiarenia.
- Batériu NEPREHŤAJTE, aby nedošlo k popáleniu chemikáliami.
- Batériu NEDÁVAJTE do dosahu detí.
- Keď je zariadenie odpojené od napájania a batéria hodín reálneho času je nabitá, nastavenia času je možné uchovať po dobu 6 mesiacov.
- Pri prvom použití nabíjajte zariadenie viac ako 2,5 hodiny vo vypnutom stave.
- Napätie batérie je 3,85 V a kapacita batérie je 2100 mAh.
- Batéria je certifikovaná podľa normy UL2054.

### Údržba

- Ak produkt nepracuje správne, obráťte sa na predajcu alebo na najbližšie servisné stredisko. Nepreberáme žiadnu zodpovednosť za problémy spôsobené neoprávnenou opravou alebo údržbou.
- Niekoľko komponentov zariadenia (napr. elektrolytický kondenzátor) si vyžaduje pravidelnú výmenu. Priemerná doba životnosti sa líši, preto odporúčame pravidelnú kontrolu. So žiadosťou o ďalšie podrobnosti sa obráťte na predajcu.

- V prípade potreby zariadenie jemne utrite čistou handričkou a malým množstvom etanolu.
- Ak sa zariadenie používa spôsobom, ktorý výrobca neuvádza, môže dôjsť k zníženiu ochrany poskytovanej zariadením.

#### **Kalibračná služba**

- Odporúčame vám odoslať zariadenie späť na kalibráciu raz ročne, pričom ďalšie informácie o miestach údržby vám poskytne miestny predajca. Informácie o podrobnejších kalibračných službách nájdete na adrese <https://www.hikmicrotech.com/en/support/calibration-service.html>.

#### **Prevádzkové prostredie**

- Zariadenie NEVYSTAVUJTE extrémne horúcemu, chladnému, prašnému, korozičnému, slanému alkalickému alebo vlhkému prostrediu. Zabezpečte, aby prevádzkové prostredie spĺňalo požiadavky zariadenia. Prevádzková teplota by mala byť -10 °C až 50 °C (14 °F až 122 °F) a prevádzková vlhkosť by mala byť 95 % alebo nižšia.
- Zariadenie umiestnite v suchom a dobre vetranom prostredí.
- Zariadenie NEVYSTAVUJTE silnému elektromagnetickému žiareniu ani prašnému prostrediu.
- Šošovkou NEMIERTE na slnko ani na žiadny iný silný zdroj svetla.
- Pri používaní akéhokoľvek laserového vybavenia zabezpečte, aby objektív zariadenia nebol vystavený laserovému lúču, inak sa môže vypáliť.
- Zariadenie je vhodné na použitie vo vnútornom aj vonkajšom prostredí, ale nevystavujte ho vlhkému prostrediu.
- Trieda ochrany je IP 54.
- Miera znečistenia je 2.

#### **Technická podpora**

- Portál <https://www.hikmicrotech.com/en/contact-us.html> vám ako zákazníkovi spoločnosti HIKMICRO pomôže z produktov HIKMICRO vyťažiť maximum. Portál vám poskytuje prístup k tímu technickej podpory, softvéru a dokumentácii, servisným kontaktom atď.

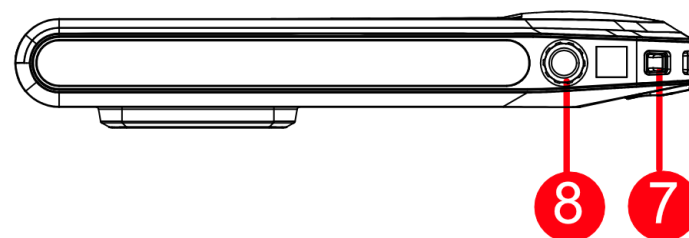
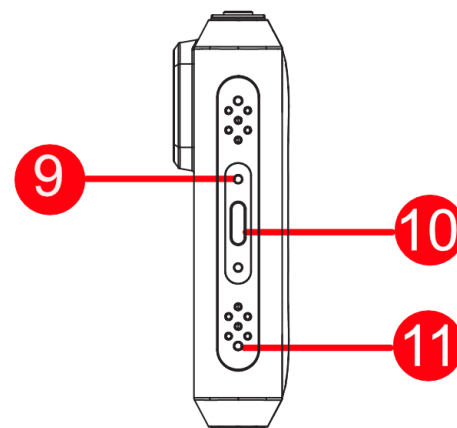
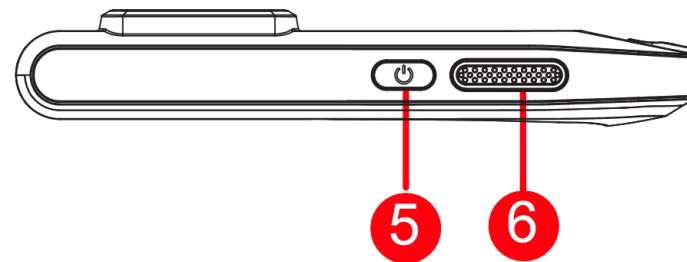
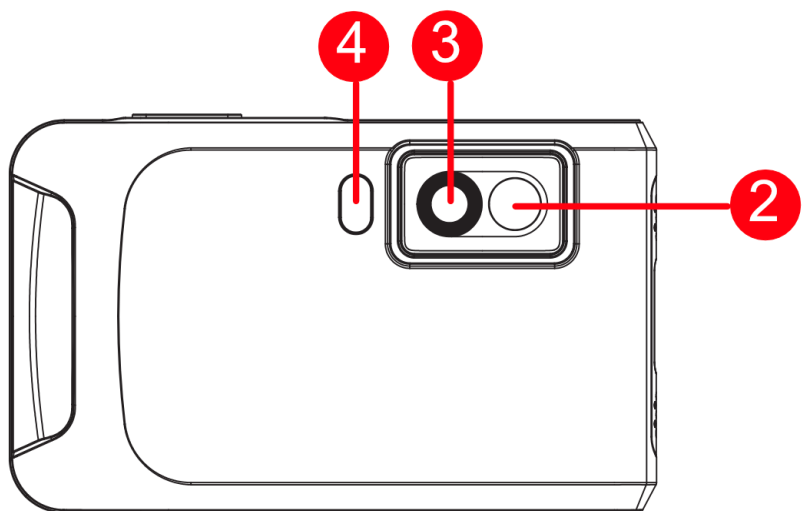
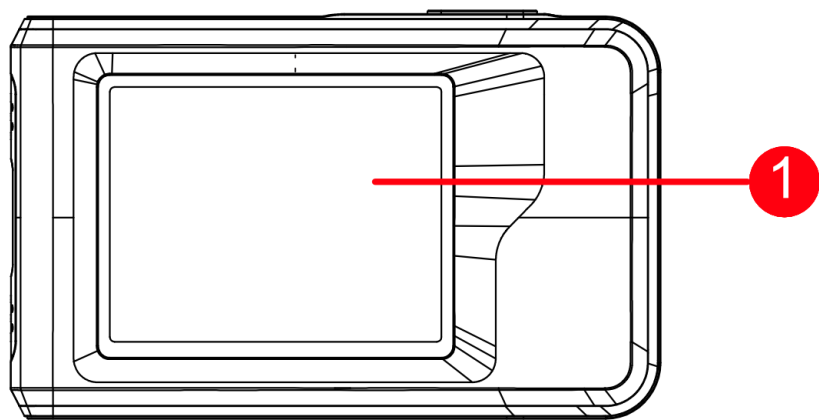
#### **Núdzový režim**

- Ak zo zariadenia vychádza dym, zápach alebo hluk, ihneď vypnite napájanie, odpojte napájací kábel a obráťte sa na servisné stredisko.

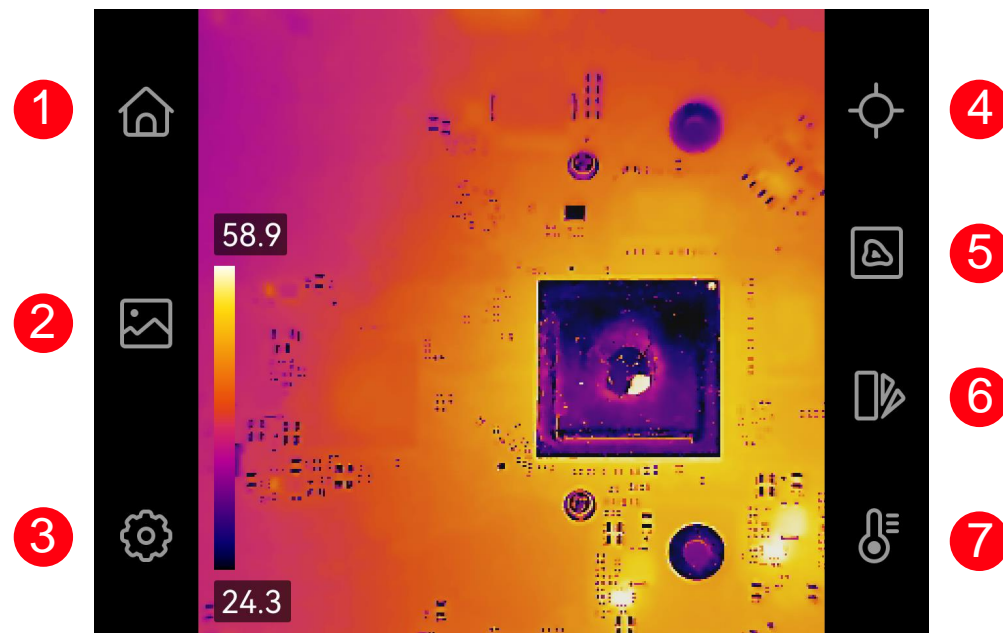
#### **Adresa výrobcu**

Miestnosť 313, Krídlo B, Budova 2, Ulica Danfeng 399, Obvod Xixing, Okres Binjiang, Hangzhou, Zhejiang 310052, Čína  
Hangzhou Microimage Software Co., Ltd.

POZNÁMKA O SÚLADE S PREDPISMI: Produkty z radu teplocitlivých prístrojov môžu podliehať exportnej regulácii v rôznych krajinách alebo regiónoch vrátane napríklad Spojených štátov amerických, Európskej únie, Spojeného kráľovstva prípadne aj krajín Wassenaarskeho usporiadania. Ak máte v úmysle prenášať, exportovať alebo re-exportovať produkty z radu teplocitlivých prístrojov cez hranice medzi rôznymi krajinami, poraďte sa so svojim odborným expertom na legislatívu alebo súlad s predpismi alebo miestnymi úradmi verejnej správy, či existuje povinnosť mať exportné povolenie.



Nr	Opis	Funkcja
1	Ekran dotykowy	Wyświetlanie obrazu i obsługa urządzenia przy użyciu ekranu dotykowego.
2	Obiektyw optyczny (światło widzialne)	Wyświetlanie obrazu w świetle widzialnym.
3	Obiektyw termowizyjny	Wyświetlanie obrazu w podczerwieni.
4	Oświetlenie	Oświetlenie wypełniające obiektów i alarm świetlny.
5	Przycisk zasilania	Naciśnij i przytrzymaj przycisk, aby włączyć/wyłączyć urządzenie.
6	Przycisk kamery	Naciśnij, aby wykonać zdjęcie. Naciśnij i przytrzymaj, aby rozpocząć nagrywanie, i naciśnij ponownie w celu zatrzymania nagrywania.
7	Zaczep paska	Mocowanie paska na nadgarstek.
8	Złącze statywu	Mocowanie statywu.
9	Wskaźnik ładowania	Sygnalizowanie stanu ładowania baterii urządzenia. <ul style="list-style-type: none"> <li>● Włączony (czerwony): prawidłowe ładowanie</li> <li>● Miga (czerwony): błąd ładowania</li> <li>● Włączony (zielony): bateria całkowicie naładowana</li> </ul>
10	Złącze Type-C	Ładowanie baterii urządzenia lub eksportowanie plików przy użyciu przewodu Type-C.
11	Mikrofon	Nagrywanie audio.



Nr	Opis	Funkcja
1	Strona główna	Naciśnij, aby ponownie wyświetlić podgląd na żywo.
2	Albumy	Wyświetlanie albumów ze zdjęciami i nagraniami wideo.
3	Ustawienia	Dostosowywanie lokalnych ustawień urządzenia.
4	Pomiary	Włączanie/wyłączanie narzędzi pomiarowych.
5	Tryb wyświetlania obrazu	Przełączanie trybu wyświetlania podglądu na żywo, takiego jak termowizja, światło widzialne lub skalanie obrazu.
6	Palety	Przełączanie palet kolorów obrazu termowizyjnego.
7	Poziom i zakres	Dostosowywanie zakresu temperatur dla wyświetlania obrazu termowizyjnego.



## Pomiar temperatury

Korzystając z wbudowanego detektora podczerwieni i czujnika o wysokiej czułości, można wykonywać pomiary temperatury w zakresie od  $-20^{\circ}\text{C}$  do  $350^{\circ}\text{C}$  z dokładnością  $\pm 2^{\circ}\text{C}$  lub 2%, gdy temperatura otoczenia wynosi od  $15^{\circ}\text{C}$  do  $35^{\circ}\text{C}$ , a temperatura obiektu jest wyższa niż  $0^{\circ}\text{C}$ .

## Menu rozwijane

Korzystając z menu rozwijanego, można dostosować jasność i włączyć funkcje takie jak Wi-Fi, punkt dostępu, kopia ekranu, oświetlenie i tryb ciemny/jasny.

## Połączenie z oprogramowaniem klienckim

Korzystając z aplikacji HIKMICRO Viewer w telefonie, można wyświetlać podgląd na żywo, wykonywać zdjęcia lub nagrywać wideo. Aby pobrać aplikację, zeskanuj kody QR podane na okładce.

Można pobrać oprogramowanie HIKMICRO Analyzer (<https://www.hikmicrotech.com/en/industrial-product/s/hikmicro-analyzer-software.html>) służące do profesjonalnego analizowania zdjęć w trybie offline i generowania raportów w formacie niestandardowym przy użyciu komputera.

## Dostosowanie obrazu

Poziom i zakres można dostosować ręcznie lub automatycznie w celu uzyskania odpowiedniego obrazu termowizyjnego ułatwiającego analizę temperatury.

W trybie automatycznym urządzenie dostosowuje zakres temperatury dla wyświetlanego obrazu. W trybie regulacji ręcznej można nacisnąć obszar na ekranie i obrócić pokrętkę temperatury w celu dostosowania zakresu temperatury dla wyświetlanego obrazu.



**Uwaga:** Kamera okresowo automatycznie wykonuje kalibrację, aby zoptymalizować jakość obrazu i dokładność pomiarów. W tym procesie obraz jest na chwilę wstrzymywany i emitowany jest dźwięk kliknięcia sygnalizujący przesunięcie migawki przed detektorem. Monit „Kalibrowanie” jest wyświetlany

w centrum górnej części ekranu podczas automatycznego kalibrowania urządzenia.

Automatyczna kalibracja jest wykonywana częściej podczas rozruchu albo przy bardzo niskiej lub bardzo wysokiej temperaturze otoczenia. Jest to standardowa procedura zapewniająca optymalne funkcjonowanie kamery.

### **Podręcznik użytkownika**

Aby uzyskać informacje dotyczące obsługi urządzenia, zeskanuj kod QR i pobierz podręcznik użytkownika.



### **Informacje prawne**

#### **ZASTRZEŻENIA PRAWNE**

W PEŁNYM ZAKRESIE DOZWOLONYM PRZEZ OBOWIĄZUJĄCE PRAWO TEN PODRĘCZNIK, OPISANY PRODUKT I ZWIĄZANE Z NIM WYPOSAŻENIE ORAZ OPROGRAMOWANIE APLIKACYJNE I UKŁADOWE SĄ UDOSTĘPNIANE NA ZASADACH „AS IS” BEZ GWARANCJI BRAKU USTREK I BŁĘDÓW („WITH ALL FAULTS AND ERRORS”). FIRMA HIKMICRO NIE UDZIELA ŻADNYCH WYRAŹNYCH ANI DOROZUMIANYCH GWARANCJI, TAKICH JAK GWARANCJE DOTYCZĄCE PRZYDATNOŚCI HANDLOWEJ, JAKOŚCI LUB PRZYDATNOŚCI DO OKREŚLONEGO CELU. UŻYTKOWNIK KORZYSTA Z PRODUKTU NA WŁASNE RYZYKO. NIEZALEŻNIE OD OKOLICZNOŚCI FIRMA HIKMICRO NIE PONOSI ODPOWIEDZIALNOŚCI ZA STRATY SPECJALNE, NASTĘPCZE, UBOCZNE LUB POŚREDNIE, TAKIE JAK STRATA OCZEKIWANYCH ZYSKÓW Z DZIAŁALNOŚCI BIZNESOWEJ, PRZERWY W DZIAŁALNOŚCI BIZNESOWEJ,

USZKODZENIE SYSTEMÓW ALBO STRATA DANYCH LUB DOKUMENTACJI, WYNIKAJĄCE Z NARUSZENIA UMOWY, PRZEWINIENIA (ŁĄCZNIE Z ZANIEDBANIEM), ODPOWIEDZIALNOŚCI ZA PRODUKT LUB INNYCH OKOLICZNOŚCI, ZWIĄZANE Z UŻYCIEM TEGO PRODUKTU, NAWET JEŻELI FIRMA HIKMICRO ZOSTAŁA POINFORMOWANA O MOŻLIWOŚCI WYSTĄPIENIA TAKICH SZKÓD LUB STRAT.

UŻYTKOWNIK PRZYJMUJE DO WIADOMOŚCI, ŻE KORZYSTANIE Z INTERNETU JEST ZWIĄZANE Z ZAGROŻENIAMI DLA BEZPIECZEŃSTWA, A FIRMA HIKMICRO NIE PONOSI ODPOWIEDZIALNOŚCI ZA NIEPRAWIDŁOWE FUNKCJONOWANIE, WYCIEK POUFNYCH INFORMACJI LUB INNE SZKODY WYNIKAJĄCE Z ATAKU CYBERNETYCZNEGO, ATAKU HAKERA, DZIAŁANIA WIRUSÓW LUB INNYCH ZAGROŻEŃ DLA BEZPIECZEŃSTWA W INTERNECIE. FIRMA HIKMICRO ZAPEWNI JEDNAK POMOC TECHNICZNĄ W ODPOWIEDNIM CZASIE, JEŻELI BĘDZIE TO WYMAGANE.

UŻYTKOWNIK ZOBOWIĄDUJE SIĘ DO KORZYSTANIA Z PRODUKTU ZGODNIE Z PRZEPISAMI I PRZYJMUJE DO WIADOMOŚCI, ŻE JEST ZOBOWIĄZANY DO ZAPEWNIENIA ZGODNOŚCI UŻYCIA PRODUKTU Z PRZEPISAMI.

W SZCZEGÓLNOŚCI UŻYTKOWNIK JEST ZOBOWIĄZANY DO KORZYSTANIA Z PRODUKTU W SPOSÓB, KTÓRY NIE NARUSZA PRAW STRON TRZECICH, DOTYCZĄCYCH NA PRZYKŁAD WIZERUNKU KOMERCYJNEGO, WŁASNOŚCI INTELEKTUALNEJ LUB OCHRONY DANYCH I PRYWATNOŚCI.

UŻYTKOWNIK NIE BĘDZIE UŻYWAĆ PRODUKTU DO CELÓW ZABRONIONYCH, TAKICH JAK OPRACOWANIE LUB PRODUKCJA BRONI MASOWEGO RAŻENIA ALBO BRONI CHEMICZNEJ LUB BIOLOGICZNEJ ORAZ DZIAŁANIA ZWIĄZANE Z WYBUCHOWYMI MATERIAŁAMI NUKLEARNYMI, NIEBEZPIECZNYM NUKLEARNYM CYKLEM PALIWOWYM LUB ŁAMANIEM PRAW CZŁOWIEKA. W PRZYPADKU NIEZGODNOŚCI NINIEJSZEGO PODRĘCZNIKA Z OBOWIĄZUJĄCYM PRAWEM WYŻSZY PRIORYTET BĘDZIE MIAŁO OBOWIĄZUJĄCE PRAWO.


#### **Informacje dotyczące przepisów**

---

**Te klauzule dotyczą tylko produktów z odpowiednimi oznaczeniami lub etykietami.**

---

#### **Deklaracja zgodności z dyrektywami UE/UK**

 Ten produkt i ewentualnie dostarczone razem z nim akcesoria oznaczono symbolem „CE” potwierdzającym zgodność

z odpowiednimi ujednoliconymi normami europejskimi, uwzględnionymi w dyrektywie 2014/30/UE (EMCD), dyrektywie 2014/35/UE (LVD), dyrektywie 2011/65/UE (RoHS) i dyrektywie 2014/53/UE.

### Pasma częstotliwości i moc (CE/UK)

Pasma częstotliwości i dopuszczalne wartości graniczne znamionowej mocy promieniowanej (transmisja i/lub przewodzenie) tego urządzenia radiowego są następujące:

**Wi-Fi:** 2,4 GHz (2,4 – 2,4835 GHz): 20 dBm

W przypadku urządzeń dostarczanych bez zasilacza należy użyć markowego zasilacza. Aby uzyskać więcej informacji dotyczących wymaganego zasilania, należy skorzystać ze specyfikacji produktu.

W przypadku urządzeń dostarczanych bez baterii należy użyć markowej baterii. Aby uzyskać więcej informacji dotyczących wymaganej baterii, należy skorzystać ze specyfikacji produktu.



Dyrektywa 2012/19/UE w sprawie zużytego sprzętu elektrycznego i elektronicznego (WEEE): Produktów oznaczonych tym symbolem nie wolno utylizować na obszarze Unii Europejskiej jako niesegregowane odpady komunalne. Aby zapewnić prawidłowy recykling tego produktu, należy zwrócić go do lokalnego dostawcy przy zakupie równoważnego nowego urządzenia lub utylizować go w wyznaczonym punkcie selektywnej zbiórki odpadów. Aby uzyskać więcej informacji, skorzystaj z witryny internetowej [www.recyclethis.info](http://www.recyclethis.info).



Dyrektywa 2006/66/EC w sprawie baterii i akumulatorów i zmieniająca ją dyrektywa 2013/56/UE: Ten produkt zawiera baterię, której nie wolno utylizować na obszarze Unii Europejskiej jako niesegregowane odpady komunalne. Szczegółowe informacje dotyczące baterii podano w dokumentacji produktu. Bateria jest oznaczona tym symbolem, który może także zawierać litery wskazujące na zawartość kadmu (Cd), ołowiu (Pb) lub rtęci (Hg). Aby zapewnić prawidłowy recykling baterii, należy zwrócić ją do dostawcy lub przekazać do wyznaczonego punktu zbiórki. Aby uzyskać więcej informacji, skorzystaj z witryny internetowej [www.recyclethis.info](http://www.recyclethis.info).

### Zalecenia dotyczące bezpieczeństwa

- Te zalecenia umożliwiają prawidłowe korzystanie z produktu i zapobieganie zagrożeniu użytkowników lub zniszczeniu wyposażenia.

### Przepisy i rozporządzenia

- Produkt powinien być użytkowany zgodnie z lokalnymi rozporządzeniami dotyczącymi bezpiecznego korzystania z urządzeń elektrycznych.

### Transport

- Podczas transportu urządzenie powinno być umieszczone w oryginalnym lub podobnym opakowaniu.
- Należy zachować opakowanie urządzenia. W przypadku wystąpienia usterki urządzenia należy zwrócić je do zakładu produkcyjnego w oryginalnym opakowaniu. Producent nie ponosi odpowiedzialności za uszkodzenie urządzenia na skutek transportu bez oryginalnego opakowania.
- Należy chronić urządzenie przed upadkiem lub udarami mechanicznymi. Należy chronić urządzenie przed zakłóceniami magnetycznymi.

### Zasilanie

- Napięcie wejściowe powinno spełniać wymagania dotyczące źródeł zasilania z własnym ograniczeniem (LPS; 3,85 V DC, 570 mA) zgodnie z normą IEC61010-1. Szczegółowe informacje podano w sekcji zawierającej dane techniczne.
- Należy upewnić się, że wtyczka jest prawidłowo podłączona do gniazda sieci elektrycznej.
- NIE wolno podłączać wielu urządzeń do jednego zasilacza, ponieważ może to spowodować przegrzanie lub zagrożenie pożarowe na skutek przeciążenia.
- Należy korzystać z zasilacza dostarczonego przez wykwalifikowanego producenta. Aby uzyskać więcej informacji dotyczących wymaganego zasilania, należy skorzystać ze specyfikacji produktu.

### Bateria

- Przed pierwszym użyciem urządzenia należy ładować jego baterię przez ponad trzy godziny.
- Nieprawidłowe użycie lub wymiana baterii może spowodować wybuch. Baterie należy wymieniać tylko na baterie tego samego typu lub ich odpowiedniki. Zużyte baterie należy utylizować zgodnie z zaleceniami producenta.
- Wbudowana bateria nie jest przystosowana do demontażu przez użytkownika. Jeżeli konieczne jest wykonanie naprawy, należy skontaktować się z producentem.
- Jeżeli bateria jest przechowywana przez dłuższy czas, należy naładować ją całkowicie co pół roku, aby zapewnić jej prawidłowy stan techniczny.

Ignorowanie tego zalecenia może spowodować uszkodzenie.

- Należy korzystać z baterii dostarczanych przez markowego producenta. Aby uzyskać więcej informacji dotyczących wymaganej baterii, należy skorzystać ze specyfikacji produktu.
- NIE wolno umieszczać baterii w pobliżu źródeł ciepła lub ognia. Należy chronić urządzenie przed bezpośrednim światłem słonecznym.
- NIE wolno połykać baterii, ponieważ może to spowodować oparzenia chemiczne.
- NIE wolno umieszczać baterii w miejscu dostępnym dla dzieci.
- Gdy zasilanie urządzenia jest wyłączone, a bateria zegara RTC jest całkowicie naładowana, ustawienia zegara są przechowywane przez sześć miesięcy.
- Przed pierwszym użyciem urządzenia należy wyłączyć zasilanie i ładować baterię przez ponad 2,5 godziny.
- Urządzenie jest zasilane baterią o napięciu znamionowym 3,85 V i pojemności 2100 mAh.
- Bateria uzyskała certyfikat UL2054.

### Konserwacja

- Jeżeli produkt nie działa prawidłowo, skontaktuj się z dystrybutorem lub najbliższym centrum serwisowym. Producent nie ponosi odpowiedzialności za problemy spowodowane przez nieautoryzowane prace naprawcze lub konserwacyjne.
- Konieczna jest regularna wymiana kilku podzespołów urządzenia (np. kondensatora elektrolitycznego). Przeciętny okres użytkowania może być różny, dlatego zalecane jest regularne sprawdzanie stanu technicznego podzespołów. Aby uzyskać więcej informacji, należy skontaktować się z dystrybutorem.
- Należy przetrzeć urządzenie ostrożnie czystą ściereczką zwilżoną niewielką ilością etanolu, jeżeli jest to konieczne.
- Użycie urządzenia niezgodnie z zaleceniami może spowodować anulowanie gwarancji producenta.

### Usługa kalibracji

- Zalecane jest przesyłanie urządzenia do producenta co rok w celu kalibracji i skontaktowanie się z lokalnym dystrybutorem w celu uzyskania informacji dotyczących elementów urządzenia wymagających konserwacji. Aby uzyskać szczegółowe informacje dotyczące usług kalibracji, skorzystaj z witryny internetowej <https://www.hikmicrotech.com/en/support/calibration-service.html>.

### Warunki otoczenia

- NIE wolno narażać urządzenia na ekstremalnie wysokie lub niskie temperatury, kurz, substancje korozyjne, roztwory soli, zasady lub wilgoć. Należy upewnić się, że warunki otoczenia spełniają wymagania określone przez producenta urządzenia. Podczas użytkowania urządzenia temperatura otoczenia powinna wynosić od  $-10^{\circ}\text{C}$  do  $+50^{\circ}\text{C}$ , a wilgotność powietrza nie powinna być większa niż 95%.
- Urządzenie należy umieścić w suchym i odpowiednio wentylowanym miejscu.
- Należy chronić urządzenie przed silnym promieniowaniem elektromagnetycznym oraz kurzem i pyłem.
- NIE wolno kierować obiektywu w stronę słońca lub innego źródła intensywnego światła.
- Jeżeli używane jest wyposażenie laserowe, należy upewnić się, że obiektyw urządzenia nie jest oświetlany przez wiązkę lasera, ponieważ może to spowodować jego spalanie.
- Urządzenie jest przeznaczone do użytku w budynkach lub na zewnątrz budynków, ale powinno być chronione przed wilgocią.
- Stopień ochrony IP 54.
- Stopień zanieczyszczenia środowiska 2.

### Pomoc techniczna

- Portal <https://www.hikmicrotech.com/en/contact-us.html> ułatwia klientom firmy HIKMICRO optymalne korzystanie z produktów HIKMICRO. Ten portal internetowy zapewnia dostęp, między innymi, do naszego zespołu pomocy technicznej, oprogramowania, dokumentacji i usług.

### Poważne awarie

- Jeżeli urządzenie wydziela dym lub intensywny zapach albo emituje hałas, należy niezwłocznie wyłączyć zasilanie i odłączyć przewód zasilający, a następnie skontaktować się z centrum serwisowym.

### Adres producenta

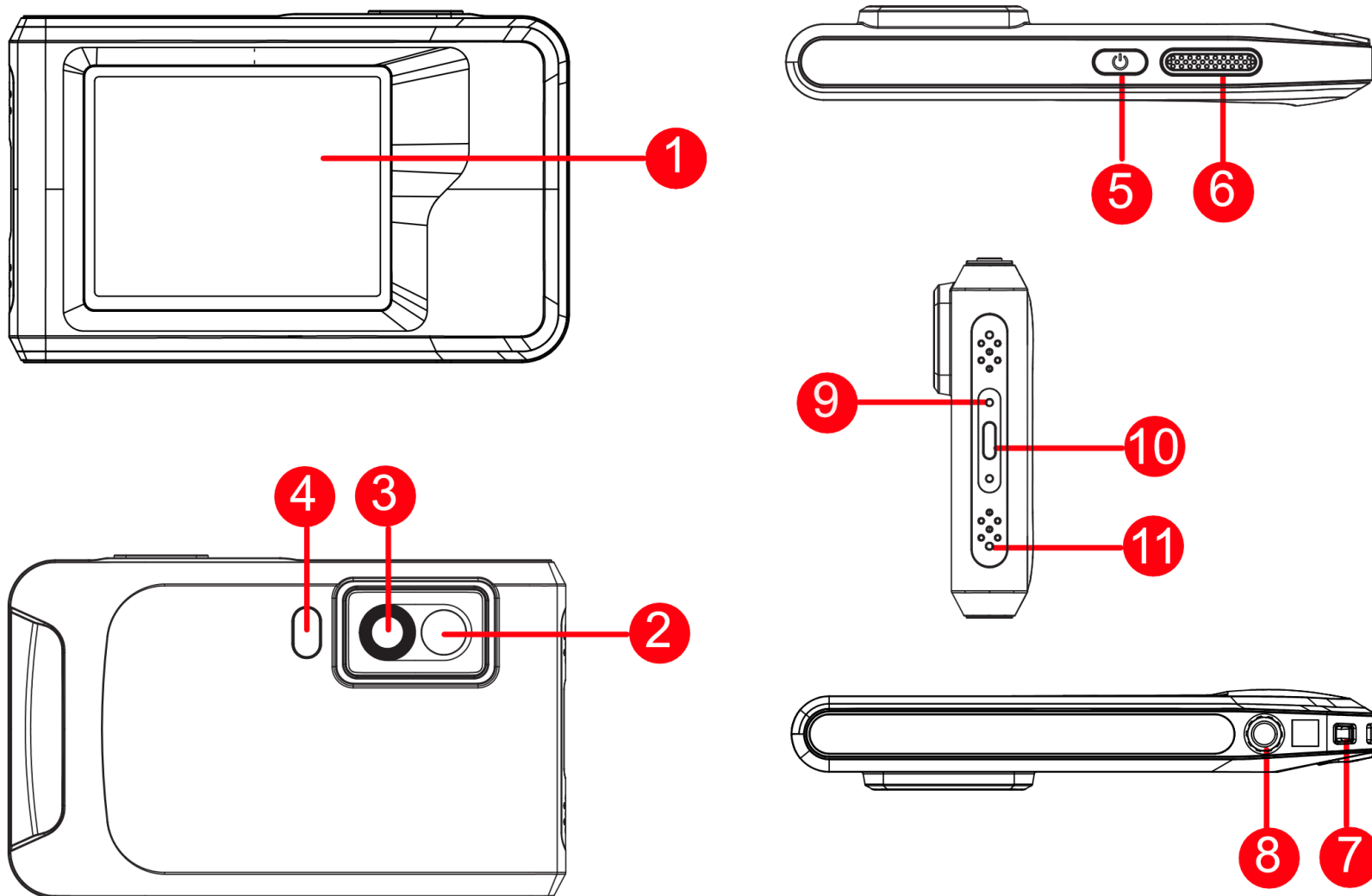
Lokal 313, Jednostka B, Budynek 2, Ulica 399 Danfeng, Region dystryktu Xixing, Dystrykt Binjiang, Hangzhou, Zhejiang 310052, Chiny  
Hangzhou Microimage Software Co., Ltd.

UWAGA DOTYCZĄCA ZGODNOŚCI Z PRZEPISAMI: Produkty termowizyjne mogą podlegać kontroli eksportu w różnych krajach lub regionach, takich jak Stany Zjednoczone, Wielka Brytania lub kraje członkowskie Unii Europejskiej, które sygnowały porozumienie Wassenaar. Jeżeli planowane jest

przesyłanie, eksportowanie lub reeksportowanie produktów termowizyjnych przez granice państw, należy skonsultować się z ekspertem w dziedzinie prawa lub zgodności z przepisami albo lokalnymi urzędami

administracji państwowej, aby uzyskać informacje dotyczące wymaganej licencji eksportowej.

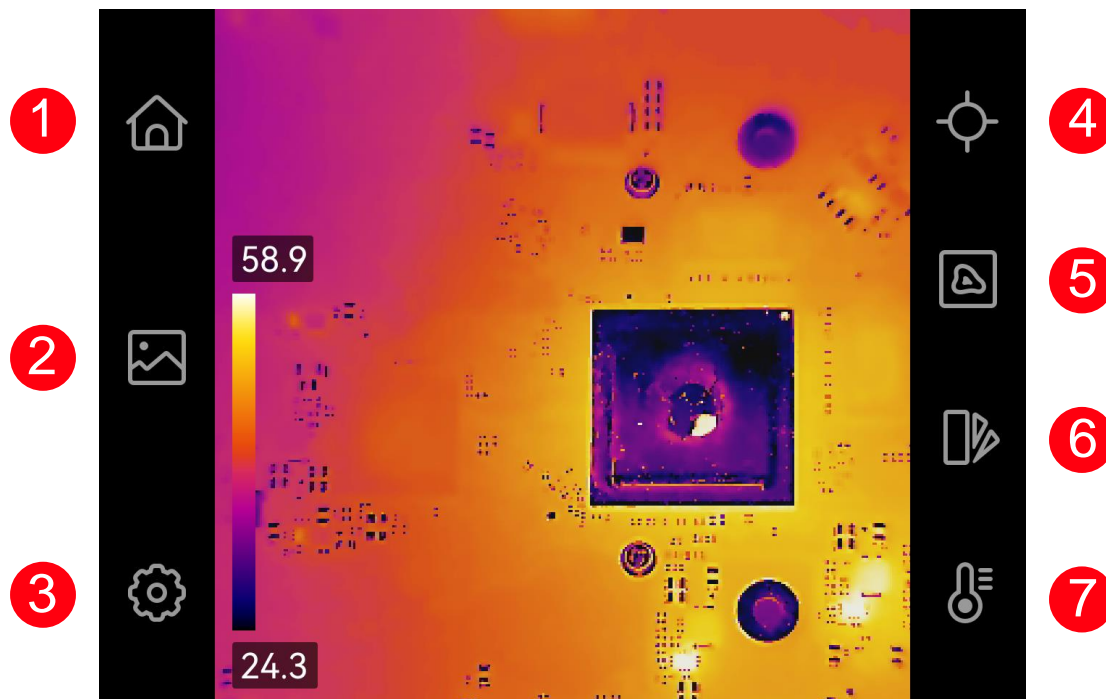
## Magyar





Sz.	Leírás	Funkció
1	Érintőképernyő	Megtekintheti a képet és érintéssel kezelheti az eszközt.
2	Vizuális objektív	Optikai kép megtekintése.
3	Hőérzékelő lencse	Hőkép megtekintése.
4	Vaku	Megvilágíthatja a céltárgyakat, ugyanakkor riasztás esetén villogással jelez.
5	Indítógomb	Tartsa lenyomva a gombot a készülék be-/kikapcsolásához.
6	Rögzítés gomb	Nyomja meg a kép rögzítéséhez. Tartsa nyomva videófelvétel indításához, és nyomja meg újra a leállításhoz.
7	Szíj rögzítési pontja	Ide rögzíthető a csuklópánt.
8	Háromlábú állvány felszerelése	Szerelje fel a háromlábú állványt.
9	Töltésjelző	A készülék töltési állapotának kijelzése. <ul style="list-style-type: none"> <li>● Folytonos vörös: normál töltés</li> <li>● Villogó vörös: töltési kivétel</li> <li>● Folyamatos zöld: teljesen feltöltve</li> </ul>
10	C típusú csatlakozó	A készülék töltésére, illetve fájlok exportálására használható, C-típusú kábellel.
11	Mikrofon	Hangfelvétel.





Sz.	Leírás	Funkció
1	Alaphelyzet	Koppintson rá az élőképhez való visszatéréshez.
2	Albumok	Belépés albumokba a rögzített képek és videók megtekintéséhez.
3	Beállítások	Az eszköz helyi beállításainak megadása.
4	Mérőeszközök	Mérőeszközök be- és kikapcsolása.
5	Képmegjelenítési mód	Az élőkép megjelenítési módjának átváltása termikus, vizuális és fúziós módra.
6	Paletták	Termikus színpaletták váltása.
7	Szint és tartomány	A hőmérséklet-tartomány beállítása a hőképhez.

## Hőmérsékletmérés

A beépített, nagy érzékenységű infravörös detektornak és a nagy teljesítményű szenzornak köszönhetően a hőmérsékletmérési tartomány  $-20\text{ °C} - 350\text{ °C}$ , a hőmérsékletmérés pontossága pedig  $\pm 2\text{ °C}$  vagy  $2\%$ , ha a környezeti hőmérséklet  $15\text{ °C} - 35\text{ °C}$  és az objektum hőmérséklete magasabb, mint  $0\text{ °C}$ .

## Legördülő menü

A fényerő a lehúzható menüben állítható, amely olyan funkciókat is biztosít, mint a Wi-Fi, a Hotspot, a Képernyőátküldés, a Vaku és a Sötét/Világos mód.

## Kapcsolat a kliens szoftverrel

A HIKMICRO Viewer alkalmazásban megtekintheti az élőképet, valamint pillanatfelvételeket és videókat rögzíthet a telefonján. Az alkalmazás letöltéséhez olvassa be a borítón található QR-kódokat.

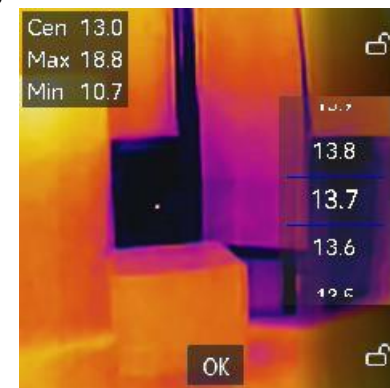
Ha pedig letölti a HIKMICRO Analyzer alkalmazást (<https://www.hikmicrotech.com/en/industrial-products/hikmicro-analyzer-software.html>), professzionális elemzést végezhet az offline képeken, és egyedi formátumú jelentéseket készíthet a számítógépen.

## Képbeállítás

A szint és az átívelés manuálisan és automatikusan egyaránt vezérelhető a megfelelő hőhatás eléréséhez, így jobb hőmérsékletkülönbség-elemzés valósítható

meg.

Automatikus módban az eszköz automatikusan állítja be a hőmérséklet-tartományt a kijelzőhöz. Manuális módban a képernyő egy területére koppinthat, majd a hőmérsékletkerék görgetésével állíthatja eb a hőmérséklet-tartományt a kijelzőhöz.



**Megjegyzés:** A kamera rendszeresen önkalibrálást végez a képminőség és a mérési pontosság optimalizálása érdekében. A folyamat során a kép rövid időre megmerevedik, és egy „kattanás” hallható, miközben a zárszerkezet elmozdul az érzékelő előtt. A „Kalibrálás folyamatban ...” rendszerüzenet a képernyő közepén felül jelenik meg, amikor a készülék önkalibrálást végez. Az önkalibrálás gyakrabban előfordul indítás során, illetve nagyon hideg vagy nagyon meleg környezetben. Ez a normális működés

része, amely biztosítja a kamera optimális teljesítményét.

## Felhasználói kézikönyv

A részletes használati útmutató tanulmányozásához olvassa be a QR-kódot vagy töltsse le a felhasználói kézikönyvet.



## Jogi információk

### JOGI NYILATKOZAT

EZT A KÉZIKÖNYVET, VALAMINT A BENNE SZEREPLŐ TERMÉKET ANNAK HARDVER-, SZOFTVER-ÖSSZETEVŐIVEL ÉS FIRMWARE-ÉVEL EGYÜTT „EREDETI FORMÁBAN” BIZTOSÍTJUK, „BELEÉRTVE AZOK ÖSSZES ESETLEGES HIBÁJÁT”. A HIKMICRO NEM VÁLLAL SEM KIFEJEZETT, SEM TÖRVÉNY ÁLTAL VÉLELMEZETT JÓTÁLLÁST TÖBBEK KÖZÖTT – DE NEM KORLÁTOZVA – A TERMÉK ÉRTÉKESÍTHETŐSÉGÉRE, MEGFELELŐ MINŐSÉGÉRE, VALAMINT ADOTT CÉLRA VALÓ ALKALMASSÁGÁRA. A TERMÉKET KIZÁRÓLAG SAJÁT FELELŐSSÉGÉRE HASZNÁLHATJA. A HIKMICRO SEMMILYEN ESETBEN SEM VÁLLAL FELELŐSSÉGET ÖN FELÉ SEMMILYEN KÜLÖNLEGES, KÖVETKEZMÉNYES, JÁRULÉKOS VAGY KÖZVETETT KÁRÉRT, BELEÉRTVE TÖBBEK KÖZÖTT A TERMÉK HASZNÁLATÁVAL ÖSSZEFÜGGÉSBEN AZ ÜZLETI HASZON ELVESZTÉSÉBŐL, AZ ÜZLETMENET MEGSZAKADÁSÁBÓL, VALAMINT AZ ADATOK VAGY DOKUMENTUMOK ELVESZTÉSÉBŐL EREDŐ KÁROKAT, TÖRTÉNJEN EZ SZERZŐDÉSSZEGÉS VAGY KÁROKOZÁS (BELEÉRTVE A GONDATLANSÁGOT) EREDMÉNYEKÉNT, MÉG AKKOR SEM, HA A HIKMICRO VÁLLALATOT TÁJÉKOZTATTÁK AZ ILYEN KÁROK BEKÖVETKEZÉSÉNEK LEHETŐSÉGÉRŐL.

ÖN TUDOMÁSUL VESZI, HOGY AZ INTERNET TERMÉSZETÉBŐL FAKADÓAN KOCKÁZATOKAT REJT, ÉS A HIKMICRO SEMMILYEN FELELŐSSÉGET NEM VÁLLAL A RENDELLENES MŰKÖDÉSÉRT, A SZEMÉLYES ADATOK KISZIVÁRGÁSÁÉRT VAGY MÁS OLYAN KÁROKÉRT, AMELYEKET

KIBERTÁMADÁSOK, HACKERTÁMADÁSOK, VÍRUSFERTŐZÉSEK VAGY MÁS INTERNETES BIZTONSÁGI VESZÉLYEK OKOZTAK; A HIKMICRO AZONBAN KÉRÉSRE IDŐBEN MŰSZAKI TÁMOGATÁST NYÚJT.

ÖN ELFOGADJA, HOGY EZT A TERMÉKET KIZÁRÓLAG A VONATKOZÓ TÖRVÉNYI ELŐÍRÁSOK BETARTÁSÁVAL HASZNÁLJA, ÉS HOGY A VONATKOZÓ TÖRVÉNYEKNEK MEGFELELŐ HASZNÁLAT KIZÁRÓLAG AZ ÖN FELELŐSSÉGE. KÜLÖNÖSKÉPPEN AZ ÖN FELELŐSSÉGE, HOGY A TERMÉK HASZNÁLATA SORÁN NE SÉRTSE HARMADIK FÉL JOGAIT, BELEÉRTVE, DE NEM KORLÁTOZVA A NYILVÁNOSSÁGRA, SZELLEMI TULAJDONRA, ADATOK VÉDELMERE ÉS EGYÉB SZEMÉLYES ADATOKRA VONATKOZÓ JOGOKAT. A TERMÉKET NEM HASZNÁLHATJA TILTOTT CÉLRA, BELEÉRTVE A TÖMEGpusztító fegyverek fejlesztését vagy gyártását, a vegyi vagy biológiai fegyverek fejlesztését vagy gyártását, valamint bármilyen, robbanásveszélyes vagy nem biztonságos nukleáris hasadóanyag-ciklussal kapcsolatos tevékenységet, illetve emberi jogi visszaéléseket támogató módon történő felhasználást.

HA A JELEN KÉZIKÖNYV ÉS A HATÁLYOS TÖRVÉNY KÖZÖTT ELLENTMONDÁS TAPASZTALHATÓ, AKKOR AZ UTÓBBI A MÉRVADÓ.

### Szabályozással kapcsolatos információk

---

**Ezek a cikkelyek kizárólag a megfelelő jelt vagy információt viselő termékekre vonatkoznak.**

---

### EU/UK Megfelelőségi nyilatkozat

**CE** Ez a termék és a mellékelt tartozékai (ha vannak) a „CE” jelzést viselik, így megfelelnek a 2014/30/EU (EMCD), a 2014/35/EU (LVD) és a 2011/65/EU (RoHS) és a 2014/53/EU irányelvben felsorolt harmonizált európai szabványoknak.

### Frekvenciasávok és teljesítmény (CE/UK)

Az alábbi rádióberendezésre érvényes frekvenciasávok és a leadott teljesítmény (sugárzott és/vagy vezetett) névleges határértékei a következők:

**Wi-Fi:** 2,4 GHz (2,4 GHz–2,4835 GHz): 20 dBm

Ha az eszkozhöz nincs mellékelve tápadapter, használjon minősített gyártó által készített tápadaptert. A tápellátással szembeni részletes

követelmények a termék műszaki adataiban vannak feltüntetve.

Ha az eszökhöz nincs mellékelve akkumulátor vagy elem, használjon minősített gyártó által biztosított akkumulátort vagy elemet. Az akkumulátorral szembeni részletes követelmények a termék műszaki adataiban vannak feltüntetve.



2012/19/EU irányelv (WEEE irányelv): Az ezzel a jelzéssel ellátott termékeket nem lehet szelektálatlan kommunális hulladékként kiselejtezni az Európai Unióban. A megfelelő újrahasznosítás érdekében vigye vissza ezt a terméket helyi forgalmazóhoz, amikor új, egyenértékű berendezést vásárol, vagy adja le a kijelölt gyűjtőhelyeken. További információért keresse fel az alábbi honlapot: [www.recyclethis.info](http://www.recyclethis.info).



2006/66/EK irányelv és annak 2013/56/EU kiegészítése (akkumulátor-irányelv): Ez a termék olyan elemet tartalmaz, amelyet nem lehet szelektálatlan kommunális hulladékként elhelyezni az Európai Unióban. A termékdokumentációban további információkat talál az elemről. Az elem ezzel a jelzéssel van ellátva. A jelzésen megtalálhatók lehetnek a kadmiumot (Cd), ólmot (Pb) vagy higanyt (Hg) jelző betűjelek. A megfelelő újrahasznosítás érdekében vigye vissza ezt a terméket a beszállítójához, vagy vigye egy kijelölt gyűjtőhelyre. További információért keresse fel az alábbi honlapot: [www.recyclethis.info](http://www.recyclethis.info).

### **Biztonsági utasítások**

Ezen utasítások célja annak biztosítása, hogy a felhasználó a terméket megfelelően tudja használni veszély vagy vagyoni veszteség elkerülése érdekében.

### **Törvények és szabályok**

- A termék használatakor szigorúan be kell tartani a helyi elektromos biztonsági előírásokat.

### **Szállítás**

- Szállítás alkalmával tartsa a terméket az eredeti vagy ahhoz hasonló csomagolásban.
- Minden csomagolóanyagot őrizzen meg a későbbi felhasználás érdekében. Hiba esetén az eredeti csomagolásában kell a készüléket visszaküldenie a gyártónak. Az eredeti csomagolástól eltérő csomagolás a termék sérülését okozhatja. A vállalat ez esetben nem vállal semmilyen felelősséget.
- Ne ejtse le és ne tegye ki ütődésnek a készüléket. Tartsa távol a készüléket a mágneses zavarforrásoktól.

### **Tápellátás**

- A bemeneti feszültségnek meg kell felelnie az IEC61010-1 szabvány szerinti korlátozott áramforrásra (3,85 V DC, 570 mA) vonatkozó előírásoknak. A részletes információkért olvassa el a műszaki adatokat.
- Ellenőrizze, hogy a tápcsatlakozó stabilan van-e csatlakoztatva a konnektorhoz.
- NE csatlakoztasson több készüléket egy hálózati adapterre, hogy elkerülje a túlterhelés okozta túlmelegedést vagy tűzveszélyt.
- Csak minősített gyártó által készített tápadaptert használjon. A tápellátással szembeni részletes követelmények a termék műszaki adataiban vannak feltüntetve.

### **Akkumulátor**

- Kérjük, az első használat előtt töltsen a készüléket legalább 3 órán át.
- Nem megfelelő akkumulátorok használata vagy cseréje robbanásveszélyt okozhat. Csak azonos, vagy egyenértékű típusra cserélje. Az elhasznált akkumulátorok hulladékkezelését az akkumulátor gyártójának útmutatása szerint végezze.
- A beépített akkumulátor nem vehető ki. Kérjük, forduljon a gyártóhoz, ha javítás szükséges.
- Hosszú távú tároláskor az akkumulátor minőségének biztosítása érdekében ellenőrizze fél évente, hogy az teljesen fel van-e töltve. Ellenkező esetben az akkumulátor károsodhat.
- Csak minősített gyártó által készített akkumulátort használjon. Az akkumulátorral szembeni részletes követelmények a termék műszaki adataiban vannak feltüntetve.
- NE helyezze az akkumulátort hőforrás vagy nyílt láng közelébe. Óvja a közvetlen napsütéstől.
- NE nyelje le az akkumulátort, hogy elkerülje a vegyi égési sérüléseket.
- Tartsa az akkumulátort gyermekektől TÁVOL.
- Ha a készülék ki van kapcsolva és a RTC akkumulátor teljesen fel van töltve, az időbeállítások 6 hónapig megőrizhetők.
- Első alkalommal töltsen a készüléket több mint 2,5 órán át, kikapcsolt állapotban.
- A akkumulátor feszültsége 3,85 V, az akkumulátor kapacitása pedig 2100 mAh.
- Az akkumulátor UL2054 tanúsítvánnyal rendelkezik.

### **Karbantartás**

- Ha a termék nem működik megfelelően, forduljon a forgalmazóhoz vagy a legközelebbi szervizközpontoz. Nem vállalunk felelősséget az illetéktelen

javitásból vagy karbantartásból származó károkért.

- A készülék néhány alkatrésze (pl. elektrolit kondenzátor) rendszeres cserét igényel. Ezek átlagos élettartama változó, ezért rendszeres ellenőrzés ajánlott. Részletekért forduljon a forgalmazóhoz.
- Törölje le a készüléket egy tiszta ruhával és kis mennyiségű etanollal, ha szükséges.
- Ha a készüléket nem a gyártó által meghatározott módon használja, a védelem szintje csökkenhet.

#### **Kalibrációs szolgáltatás**

- Javasoljuk, hogy évente egyszer küldje vissza a készüléket kalibrálás céljából, és kérjük, vegye fel a kapcsolatot a helyi forgalmazóval a karbantartási lépésekre vonatkozó további információk érdekében. Részletesebb kalibrációs adatokért lásd: <https://www.hikmicrotech.com/en/support/calibration-service.html>

#### **Használati környezet**

- NE tegye ki a készüléket szélsőségesen forró, hideg, poros, korrozív, sós, lúgos vagy nedves környezet hatásának. Gondoskodjon róla, hogy a használati környezet megfeleljen az eszköz követelményeinek. A megfelelő üzemelési hőmérséklet-tartomány  $-10\text{ °C} - 50\text{ °C}$  ( $14\text{ °F} - 122\text{ °F}$ ), a megfelelő üzemelési páratartalom pedig legfeljebb 95%.
- A készüléket száraz és jól szellőző környezetben tárolja.
- NE TEGYE ki a készüléket erős elektromágneses sugárzásnak vagy poros környezetnek.
- NE IRÁNYÍTSA az objektívet a Nap vagy más erős fényforrás irányába.
- Ha bármilyen lézerekészüléket használ, biztosítsa, hogy a készülék lencsáját ne érje a lézersugár, különben az kiéghet.
- A készülék alkalmas beltéri és kültéri használatra, de ne tegye ki nedves

környezeti viszonyoknak.

- A védelem szintje IP 54.
- A szennyezettségi szint 2-es.

#### **Műszaki támogatás**

- A <https://www.hikmicrotech.com/en/contact-us.html> portál segít, hogy vásárlóként a legtöbbet hozza ki HIKMICRO termékeiből. A portálon keresztül elérheti ügyfélszolgálati csapatunkat, ezenkívül talál szoftvereket és dokumentációkat, szervizek elérhetőségeit stb.

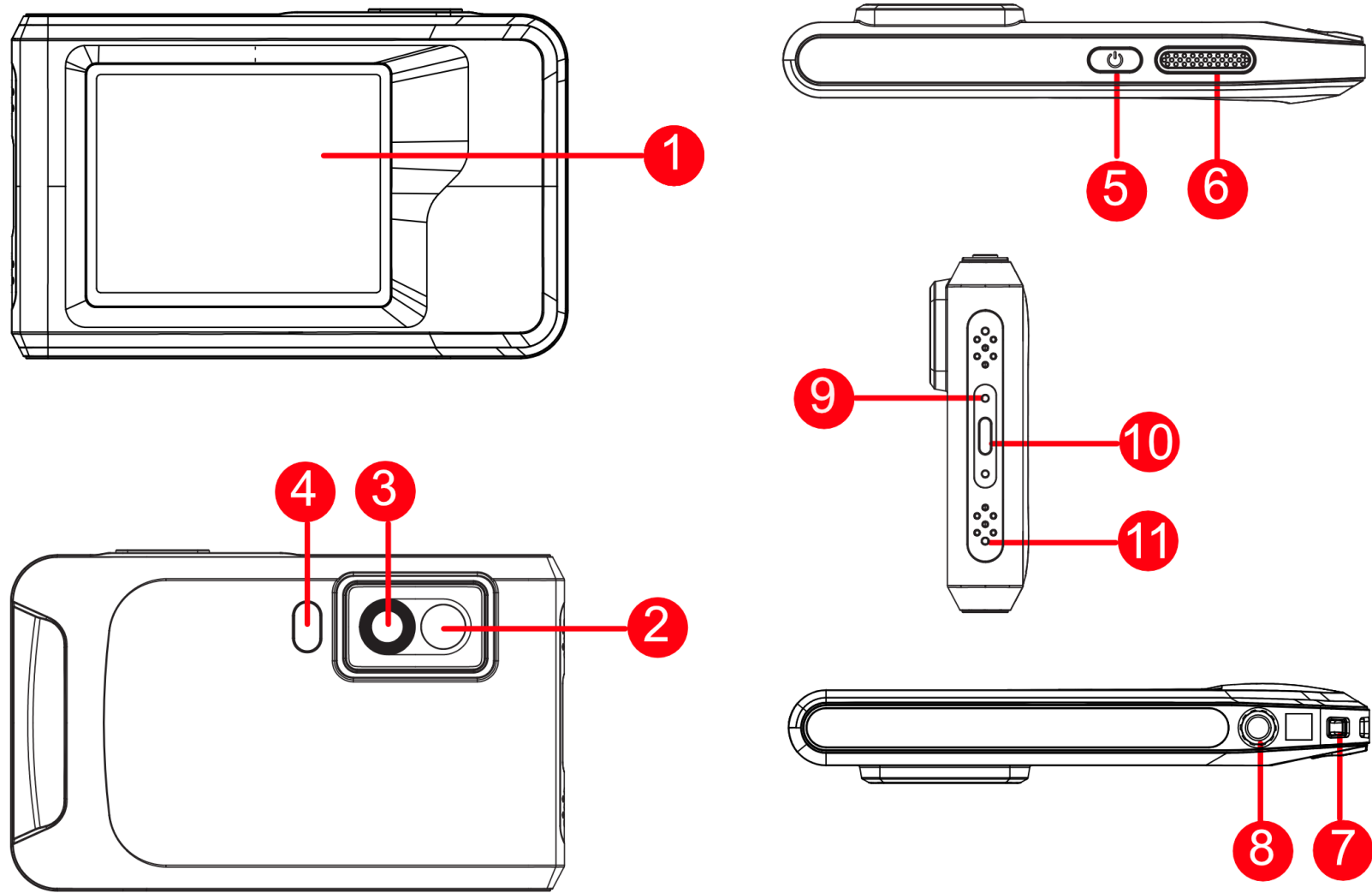
#### **Vészhelyzet**

- Ha a készülék füstöt, furcsa szagot vagy zajt bocsát ki, azonnal kapcsolja ki, húzza ki a tápkábelt, majd forduljon a szervizközponthoz.

#### **A gyártó címe**

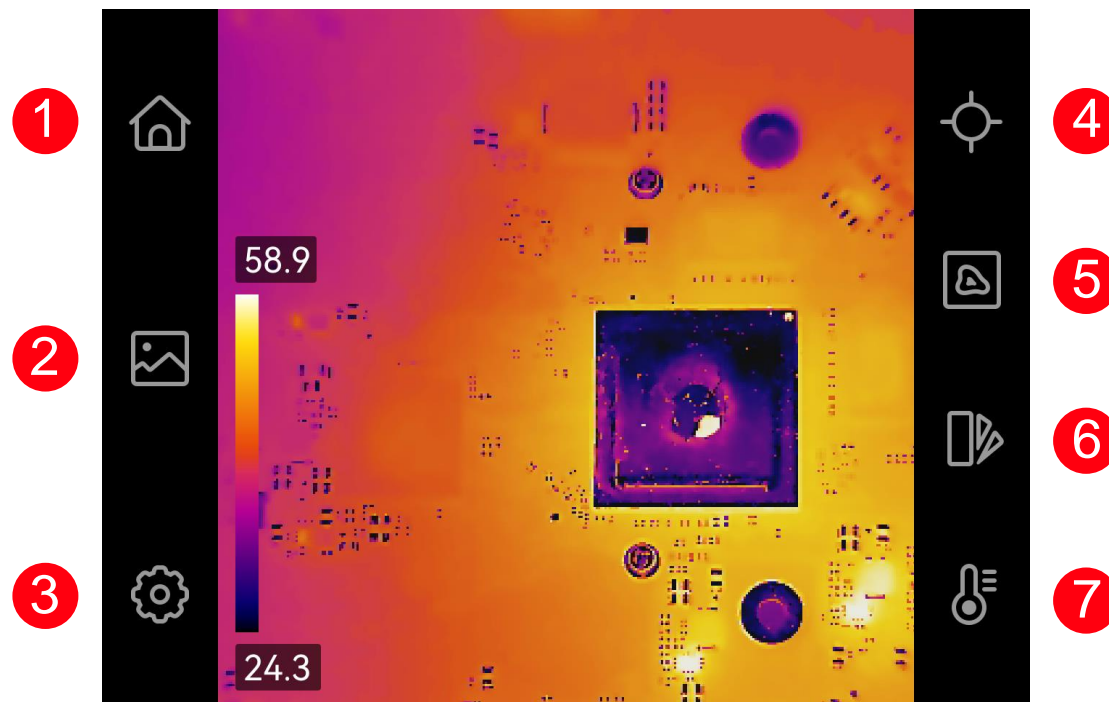
313-as szoba, B egység, 2-es épület, 399 Danfeng Road, Xixing alkerület, Binjiang kerület, Hangzhou, Zhejiang 310052, Kína  
Hangzhou Microimage Software Co., Ltd.

MEGFELELŐSÉGI MEGJEGYZÉS: A termográfiai sorozat termékeire exportszabályozás vonatkozhat különböző régiókban és országokban, pl. az Egyesült Államokban, az Európai Unióban, az Egyesült Királyságban és/vagy a wassenaari egyezmény más tagországaiban. Ha a termográfiai sorozat termékeit különböző országok közt szeretné szállítani, exportálni vagy újraexportálni, tájékozódjon a szükséges exportengedélyekről és követelményekről egy jogi vagy megfelelőségi szakértőnél, vagy a helyi hatóságoknál.





Nr.	Descriere	Funcție
1	Ecran de control tactil	Vizualizați imaginea și operați dispozitivul folosind ecranul de control tactil.
2	Obiectiv vizual	Vizualizați imaginea optică.
3	Obiectiv termic	Vizualizați imaginea termică.
4	Lanternă	Lumină de umplere pe obiecte și emite alarmă intermitentă.
5	Tasta de pornire	Țineți apăsat pentru pornirea/oprirea dispozitivului.
6	Tasta Captură	Apăsați pentru a capta o imagine. Țineți apăsat pentru a începe înregistrarea unui clip video și apăsați din nou pentru a opri.
7	Punct de atașare a curelei	Montați cureaua pentru încheietura mâinii.
8	Montare trepied	Pentru montarea trepiedului.
9	Indicator de încărcare	Indicați starea de încărcare a dispozitivului. <ul style="list-style-type: none"> <li>● Roșu continuu: se încarcă normal</li> <li>● Roșu intermitent: excepție de încărcare</li> <li>● Verde continuu: complet încărcat</li> </ul>
10	Interfață de tip C	Încărcați dispozitivul sau exportați fișiere cu cablu tip C.
11	Microfon	Înregistrare audio.



Nr.	Descriere	Funcție
1	Pagină principală	Atingeți pentru a reveni la vizualizarea live.
2	Albume	Introduceți albume pentru a vizualiza imagini și clipuri video captate.
3	Setări	Ajustați setările locale ale dispozitivului.
4	Măsurătorile	Activați/Dezactivați instrumentele de măsurare.
5	Modul de afișare a imaginii	Comutați modul de afișare a imaginilor live la termic, vizual, fuziune etc.
6	Palete	Schimbați paletele de culori ale imaginii termice.
7	Nivelul și intervalul	Reglați intervalul de temperatură pentru afișarea imaginii termice.

## Măsurarea temperaturii

Cu detectorul IR de înaltă sensibilitate încorporat și senzorul de înaltă performanță, intervalul de măsurare a temperaturii este de -20 °C până la 350 °C (-4 °F și 662 °F), iar precizia măsurării temperaturii este de  $\pm 2$  °C ( $\pm 3,6$  °F) sau 2% atunci când temperatura ambiantă este de 15 °C până la 35 °C (59 °F și 95 °F) și temperatura obiectului este peste 0 °C (32 °F).

## Meniu glisează în jos

Puteți regla luminozitatea din meniul glisant și puteți activa funcții precum Wi-Fi, Bluetooth, Hotspot, Distribuție ecran, lanternă și modul întunecat/luminos.

## Conectare la software-ul clientului

Puteți vizualiza imagini în timp real, puteți capta instantanee și puteți înregistra clipuri video prin intermediul aplicației HIKMICRO Viewer de pe telefon. Scanați codurile QR de pe copertă pentru a descărca aplicația.

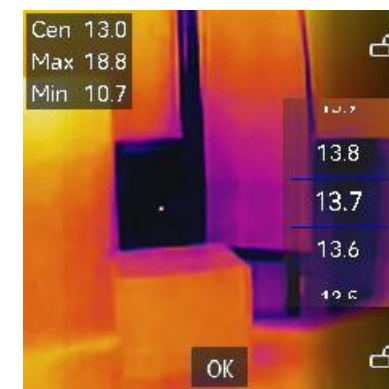
Și puteți descărca HIKMICRO Analyzer

(<https://www.hikmicrotech.com/en/industrial-product/s/hikmicro-analyzer-software.html>) pentru a analiza imaginile offline în mod profesional și pentru a genera un raport pe PC, în format personalizat.

## Ajustare imagine

Nivelul și intervalul pot fi reglate manual sau automat pentru a obține un efect termic bun pentru o analiză mai bună a diferenței de temperatură.

În modul automat, dispozitivul reglează automat intervalul de temperatură pentru afișare. În modul manual, puteți atinge o zonă de interes de pe ecran și puteți derula roțița de temperatură pentru a regla intervalul de temperatură pe ecran.



**Notă:** Camera dvs. va efectua periodic o autocalibrare, pentru a optimiza calitatea imaginii și precizia măsurătorilor. În acest proces, imaginea se va întrerupe pentru scurt timp și veți auzi un „clic”, pe măsură ce declanșatorul se deplasează în fața detectorului. Mesajul „Calibrare...” apare în centrul

părții de sus a ecranului pe măsură ce dispozitivul se calibrează. Autocalibrarea va fi mai frecventă în timpul pornirii sau în medii foarte reci sau calde. Aceasta este o parte normală a funcționării pentru a asigura performanțe optime pentru camera dumneavoastră.

## Manual de utilizare

Pentru instrucțiuni detaliate privind funcționarea, vă rugăm să scanați codul QR pentru a obține manualul de utilizare.



## Informații juridice

### PRECIZĂRI LEGALE

ÎN MĂSURA MAXIMĂ PERMISĂ DE LEGISLAȚIA APLICABILĂ, ACEST MANUAL ȘI PRODUSUL DESCRIS, ÎMPREUNĂ CU HARDWARE-UL, SOFTWARE-UL ȘI FIRMWARE-UL SĂU, SUNT FURNIZATE „CA ATARE” ȘI „CU TOATE DEFECTELE ȘI ERORILE”. HIKMICRO NU OFERĂ GARANȚII, EXPLICITE SAU IMPLICITE, ÎNCLUSIV, FĂRĂ LIMITARE, VANDABILITATE, CALITATE SATISFĂCĂTOARE SAU ADECVARE PENTRU UN ANUMIT SCOP. UTILIZAREA PRODUSULUI DE CĂTRE DVS. ESTE PE PROPRIU RISC. ÎN NICIUN CAZ HIKMICRO NU VA FI RĂSPUNZĂTOR FAȚĂ DE DVS. PENTRU ORICE DAUNE SPECIALE, CONSECVENTE, ACCIDENTALE SAU INDIRECTE, ÎNCLUSIV, PRINTRE ALTELE, DAUNE PENTRU PIERDEREA PROFITURILOR DE AFACERI, ÎNTRERUPEREA AFACERII, SAU PIERDEREA DATELOR, CORUPȚIA SISTEMELOR SAU PIERDEREA DOCUMENTAȚIEI, FIE CĂ SE BAZEAZĂ PE ÎNCĂLCAREA CONTRACTULUI, DELICT (ÎNCLUSIV NEGLIJENȚĂ), RĂSPUNDEREA PRODUSULUI SAU ÎN ALT MOD, ÎN LEGĂTURĂ CU UTILIZAREA PRODUSULUI, CHIAR DACĂ HIKMICRO A FOST INFORMAT CU PRIVIRE LA POSIBILITATEA UNOR ASTFEL DE DAUNE SAU PIERDERI.

RECUNOAȘTEȚI CĂ NATURA INTERNETULUI ASIGURĂ RISCURI DE SECURITATE ÎNERENTE, IAR HIKMICRO NU ÎȘI ASUMĂ NICIO RESPONSABILITATE PENTRU FUNCȚIONAREA ANORMALĂ, SCURGERI DE CONFIDENȚIALITATE SAU ALTE DAUNE REZULTATE DIN ATACURILE CIBERNETICE, ATACURILE HACKERILOR, INFECȚIILOR CU VIRUȘI SAU ALTE RISCURI DE SECURITATE PE INTERNET; CU TOATE ACESTE, HIKMICRO VA OFERI ASISTENȚĂ TEHNICĂ ÎN TIMP UTIL, DACĂ ESTE NECESAR. SUNTEȚI DE ACORD SĂ UTILIZAȚI ACEST PRODUS ÎN CONFORMITATE CU TOATE LEGILE APLICABILE ȘI SUNTEȚI SINGURUL RESPONSABIL PENTRU A VĂ ASIGURA CĂ UTILIZAREA DVS. ESTE ÎN CONFORMITATE CU LEGISLAȚIA APLICABILĂ. ÎN SPECIAL, SUNTEȚI RESPONSABIL, PENTRU UTILIZAREA ACESTUI PRODUS ÎNTR-UN MOD CARE NU ÎNCALCĂ DREPTURILE TERȚILOR, ÎNCLUSIV, FĂRĂ LIMITARE, DREPTURILE DE PUBLICITATE, DREPTURILE DE PROPRIETATE INTELLECTUALĂ SAU PROTECȚIA DATELOR ȘI ALTE DREPTURI DE CONFIDENȚIALITATE. NU VEȚI UTILIZA ACEST PRODUS PENTRU UTILIZĂRI FINALE INTERZISE, ÎNCLUSIV PENTRU DEZVOLTAREA SAU PRODUCEREA DE ARME DE DISTRUGERE ÎN MASĂ, DEZVOLTAREA SAU PRODUCEREA DE ARME CHIMICE SAU BIOLOGICE, ORICE ACTIVITĂȚI ÎN CONTEXTUL ORICĂRUI CICLU NUCLEAR EXPLOZIV SAU NESIGUR AL COMBUSTIBILULUI NUCLEAR SAU ÎN SPRIJINUL OAMENILOR ABUZURI DE DREPTURI. ÎN CAZUL UNOR CONFLICTE ÎNTRE ACEST MANUAL ȘI LEGEA APLICABILĂ, ACESTA DIN URMĂ PREVALEAZĂ.

### Informații de reglementare

---

**Aceste clauze se aplică numai produselor care poartă marca sau informațiile corespunzătoare.**

---

### Declarația de conformitate pentru UE/UK

**CE** Acest produs și, dacă este cazul, și accesoriile furnizate sunt însemnate cu marcajul „CE” și, drept urmare, sunt conforme cu standardele europene armonizate aplicabile, enumerate în Directiva 2014/30/UE (EMCD), Directiva 2014/35/UE (LVD), Directiva 2011/65/UE (RoHS), Directive 2014/53/UE.

## Benzi de frecvență și putere (pentru CE/UK)

Limitele nominale pentru benzile de frecvență și puterea de transmisie (radiată și/sau condusă) aplicabile următoarelor echipamente radio sunt următoarele:

**Wi-Fi:** 2,4 GHz (de la 2,4 GHz până la 2,4835 GHz): 20 dBm

Dacă dispozitivul a fost furnizat fără un adaptor de alimentare, folosiți adaptorul de alimentare furnizat de un producător calificat. Consultați specificațiile produsului pentru cerințele detaliate de alimentare.

Dacă dispozitivul a fost furnizat fără o baterie, folosiți bateria furnizată de un producător calificat. Consultați specificațiile produsului pentru cerințele detaliate privind pbateria.



Directiva 2012/19/UE (directiva DEEE): Produsele marcate cu acest simbol nu pot fi eliminate ca deșeuri municipale nesortate în Uniunea Europeană. Pentru o reciclare adecvată, returnați acest produs furnizorului local la achiziționarea unui echipament nou echivalent sau predați-l într-unul dintre punctele de colectare desemnate. Pentru mai multe informații, consultați: [www.recyclethis.info](http://www.recyclethis.info).



Directiva 2006/66/CE și modificarea acesteia 2013/56/UE (Directiva privind bateriile): Acest produs conține o baterie care nu poate fi eliminată ca deșeu municipal nesortat în Uniunea Europeană. Consultați documentația produsului pentru informații specifice despre baterie. Bateria este marcată cu acest simbol, care poate include litere pentru a indica cadmiul (Cd), plumbul (Pb) sau mercurul (Hg). Pentru o reciclare corectă, returnați bateria furnizorului dvs. sau la un punct de colectare desemnat. Pentru mai multe informații, consultați: [www.recyclethis.info](http://www.recyclethis.info).

## Instrucțiuni de siguranță

Aceste instrucțiuni sunt menite să asigure că utilizatorul poate utiliza corect produsul pentru a evita pericolul sau pierderea proprietății.

## Legi și reglementări

- Utilizarea produsului trebuie să respecte cu strictețe reglementările locale de siguranță electrică.

## Transport

- Păstrați dispozitivul în ambalajul original sau similar în timpul transportului.
- După dezambalare, păstrați toate ambalajele pentru o viitoare utilizare.

În cazul în care a apărut vreun defect, trebuie să returnați dispozitivul în fabrică cu ambalajul original. Transportul fără ambalajul original poate duce la deteriorarea dispozitivului, iar compania nu își asumă nici o responsabilitate pentru aceasta.

- Nu scăpați produsul și nu-l supuneți șocurilor fizice. Țineți dispozitivul departe de interferența magnetică.

## Alimentare electrică

- Tensiunea de intrare trebuie să respecte sursa de alimentare limitată (3,85 VDC, 570 mA) conform standardului IEC61010-1. Vă rugăm să consultați specificațiile tehnice pentru informații detaliate.
- Asigurați-vă că ștecherul este conectat corect la priza de curent.
- NU conectați mai multe dispozitive la un adaptor de alimentare pentru a evita pericolul de supraîncălzire sau de incendiu.
- Utilizați adaptorul de alimentare furnizat de un producător calificat. Consultați specificațiile produsului pentru cerințele detaliate de alimentare.

## Baterie

- Încărcați dispozitivul timp de 3 ore înainte de a îl utiliza pentru prima dată.
- Utilizarea necorespunzătoare sau înlocuirea bateriei pot duce la pericol de explozie. Înlocuiți numai cu același tip sau un tip echivalent. Eliminați bateriile uzate în conformitate cu instrucțiunile oferite de producătorul bateriei.
- Bateria încorporată nu poate fi demontată. Vă rugăm să contactați producătorul pentru reparații, dacă este necesar.
- Pentru depozitarea pe termen lung a bateriei, asigurați-vă că aceasta este complet încărcată la fiecare jumătate de an pentru a asigura calitatea bateriei. În caz contrar, pot apărea daune.
- Utilizați bateria furnizată de un producător calificat. Consultați specificațiile produsului pentru cerințele detaliate privind pbateria.
- NU așezați bateria lângă sursa de încălzire sau de incendiu. Evitați lumina directă a soarelui.
- NU înghițiți bateria pentru a evita arsurile chimice.
- NU așezați bateria la îndemâna copiilor.
- Când dispozitivul este oprit și bateria RTC este plină, setările de timp pot fi păstrate timp de 6 luni.
- La prima utilizare, încărcați dispozitivul mai mult de 2,5 ore în starea oprită.
- Tensiunea bateriei este de 3,85 V, iar capacitatea bateriei este de 2100

mAh.

- Bateria este certificată de UL2054.

### Întreținere

- În cazul în care produsul nu funcționează corect, vă rugăm să contactați dealerul sau cel mai apropiat centru de service. Nu ne asumăm nicio responsabilitate pentru problemele cauzate de reparații sau întreținere neautorizate.
- Câteva componente ale dispozitivului (de exemplu, condensator electrolitic) necesită înlocuirea regulată. Durata medie de viață variază, deci se recomandă verificarea periodică. Contactați distribuitorul pentru detalii.
- Ștergeți ușor aparatul cu o cârpă curată și o cantitate mică de etanol, dacă este necesar.
- În cazul în care echipamentul este utilizat într-un mod care nu este specificat de producător, protecția oferită de dispozitiv poate fi afectată.

### Serviciul de calibrare

- Vă recomandăm să trimiteți dispozitivul înapoi pentru calibrare o dată pe an și vă rugăm să contactați distribuitorul local pentru informații despre punctele de întreținere. Pentru servicii de calibrare mai detaliate, consultați <https://www.hikmicrotech.com/en/support/calibration-service.html>

### Utilizarea mediului

- NU expuneți dispozitivul la medii extrem de calde, reci, prăfuite, corozive, saline-alkaline sau umede. Asigurați-vă că mediul de funcționare îndeplinește cerințele dispozitivului. Temperatura de funcționare trebuie să fie între -10 °C și 50 °C (14 °F și 122 °F), iar umiditatea de funcționare trebuie să fie de 95% sau mai mică.
- Așezați dispozitivul într-un mediu uscat și bine ventilat.
- NU expuneți dispozitivul la radiații electromagnetice ridicate sau în medii cu praf.

- NU îndreptați obiectivul la soare sau la orice altă lumină strălucitoare.
- Când utilizați orice echipament laser, asigurați-vă că lentila dispozitivului nu este expusă la raza laser, altfel se poate arde.
- Dispozitivul este potrivit pentru utilizări interioare și exterioare, dar nu îl expuneți în condiții umede.
- Nivelul de protecție este IP 54.
- Gradul de poluare este 2.

### Suport tehnic

- Portalul <https://www.hikmicrotech.com/en/contact-us.html> vă va ajuta, în calitate de client HIKMICRO să profitați la maximum de produsele HIKMICRO. Portalul vă oferă acces la echipa noastră de asistență, software și documentație, contacte de service etc.

### Urgență

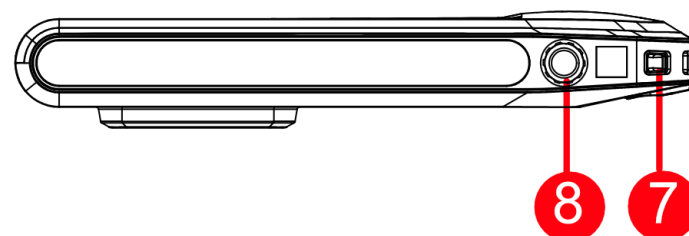
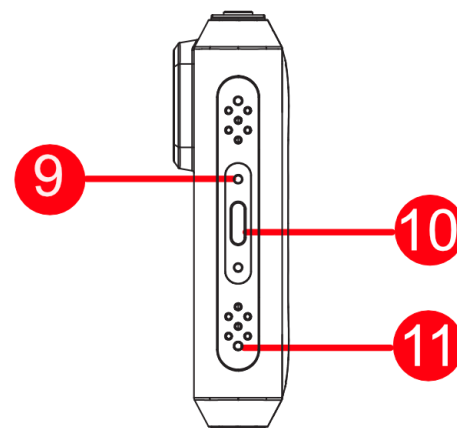
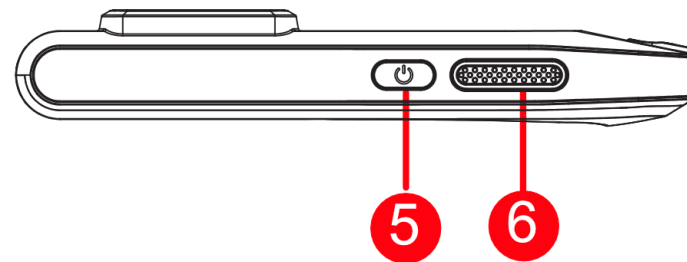
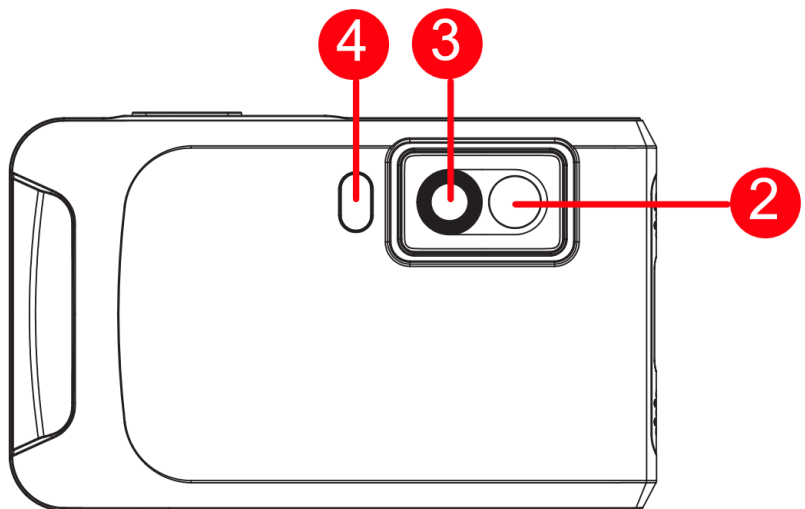
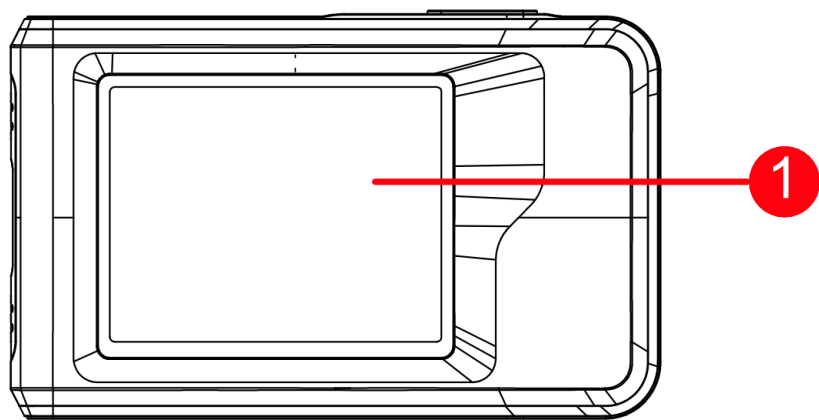
- Dacă de la dispozitiv apar fum, miros sau zgomot, opriți imediat alimentarea, deconectați cablul de alimentare și contactați centrul de service.

### Adresa de fabricație

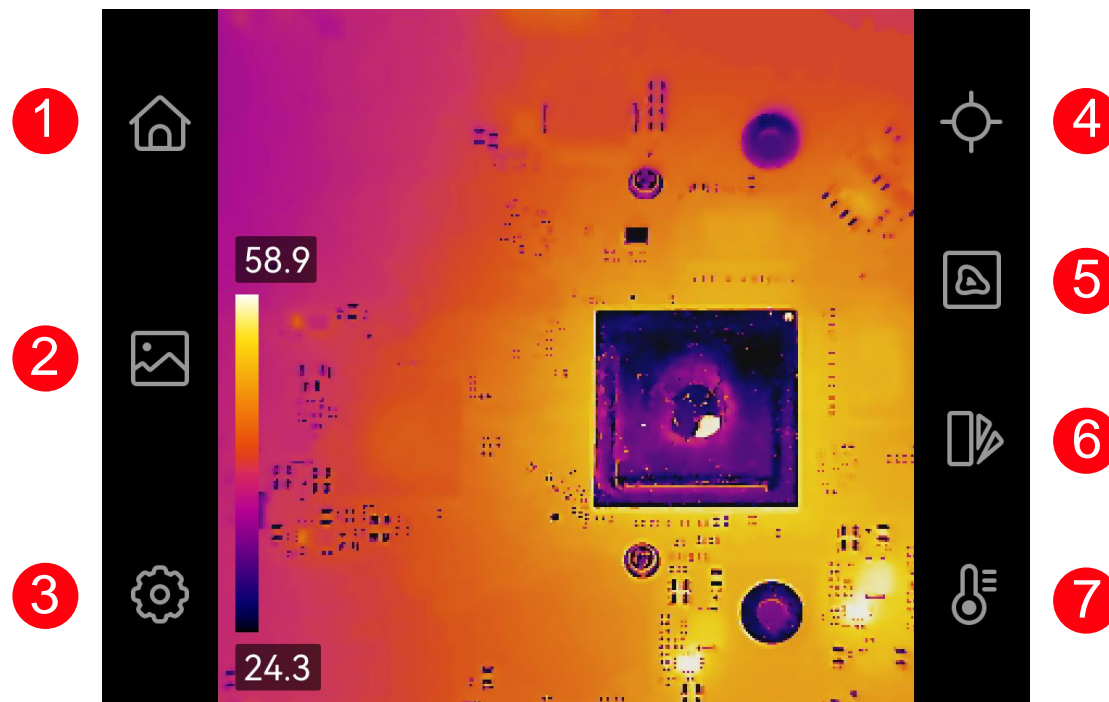
Camera 313, unitatea B, clădirea 2, strada 399 Danfeng, subdistrictul Xixing, districtul Binjiang, Hangzhou, Zhejiang 310052, China  
Hangzhou Microimage Software Co., Ltd.

NOTIFICARE DE CONFORMITATE: Produsele din seria termică pot fi supuse controalelor exporturilor în diferite țări sau regiuni, inclusiv, fără limitare, Statele Unite ale Americii, Uniunea Europeană, Regatul Unit și/sau alte țări membre ale Aranjamentului de la Wassenaar. Vă rugăm să consultați expertul juridic sau de conformitate profesional sau autoritățile administrației locale pentru orice cerințe necesare privind licența de export dacă intenționați să transferați, să exportați, să reexportați produsele din seria termică între diferite țări.





Nr.	Omschrijving	Functie
1	Aanraakbedieningsscherm	Bekijk beelden en bedien het apparaat met aanraakbediening.
2	Visuele lens	Optisch beeld bekijken.
3	Thermische lens	Warmtebeeld bekijken.
4	Flitslicht	Werpt licht op objecten en geeft een knipperend alarm af.
5	Aan/uit-toets	Houd ingedrukt om het apparaat in/uit te schakelen.
6	Vastlegtoets	Indrukken om een beeld op te nemen. Houd deze toets Ingedrukt om het opnemen van een video te starten en druk opnieuw om te stoppen.
7	Bevestigingspunt band	Bevestig de polsband.
8	Statiefbevestiging	Bevestig het statief.
9	Oplaadindicator	Geeft de oplaadstatus van het apparaat aan. <ul style="list-style-type: none"> <li>● Continu rood: laadt normaal op</li> <li>● Knippert rood: oplaaduitzondering</li> <li>● Continu groen: volledig opgeladen</li> </ul>
10	Interface type C	Hiermee laadt u het apparaat op of exporteert u bestanden met behulp van type-C-kabel.
11	Microfoon	Audio opnemen.



Nr.	Omschrijving	Functie
1	Start	Tik om terug te gaan naar de liveweergave.
2	Albums	Open albums om de opgenomen beelden en video's weer te geven.
3	Instellingen	Pas de lokale instellingen voor het apparaat aan.
4	Metingen	Schakel meetgereedschappen in/uit.
5	Beeldweergavemodus	Schakel de live beeldweergavemodus tussen thermisch, visueel, fusie enz.
6	Paletten	Schakel tussen kleurenpaletten van thermische beelden.
7	Niveau en bereik	Pas het temperatuurbereik: aan voor de weergave van thermische beelden.

## Temperatuurmeting

Met de ingebouwde hooggevoelige IR-detector en hoogwaardige sensor is het temperatuurmeetbereik -20 °C tot 350 °C met een temperatuurmetingsnauwkeurigheid van  $\pm 2$  °C of 2% wanneer de omgevingstemperatuur 15 °C tot 35 °C is en de objecttemperatuur hoger is dan 0 °C.

## Veegmenu

In het veegmenu kunt u de helderheid aanpassen en functies inschakelen zoals wifi, hotspot, schermprojectie, flitslicht en donkere/heldere modus.

## Verbinding clientsoftware

U kunt liveweergave bekijken, momentopnames vastleggen en video's opnemen via de HIKMICRO Viewer-app op uw telefoon. Scan de QR-code op het deksel om de app te downloaden.

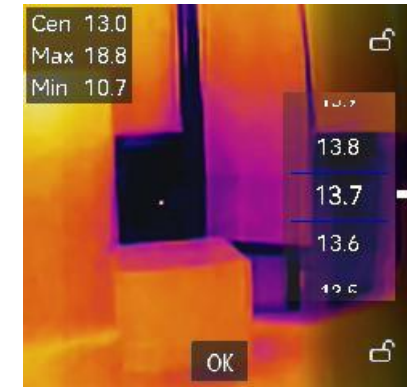
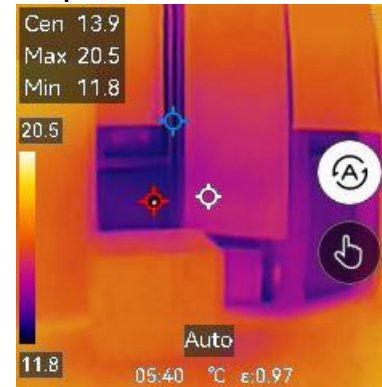
U kunt ook HIKMICRO Analyzer (<https://www.hikmicrotech.com/en/industrial-products/hikmicro-analyzer-software.html>) downloaden voor het professioneel offline analyseren van beelden en een rapport met aangepaste opmaak genereren op uw pc.

## Aanpassing afbeelding

Het niveau en bereik kunnen handmatig of automatisch worden aangepast om een goed

thermisch effect te bereiken voor een betere temperatuurverschilanalyse.

In de automatische modus past het apparaat het temperatuurbereik voor het scherm automatisch aan. In de handmatige modus kunt u op een interessegebied op het scherm tikken en het temperatuurwiel scrollen om het weer te geven temperatuurbereik aan te passen aan het scherm.



**Opmerking:** Uw camera zal periodiek een zelfkalibratie uitvoeren om de beeldkwaliteit te optimaliseren en de nauwkeurigheid te meten. In dit proces wordt het beeld kort gepauzeerd en hoort u een "klik" wanneer een sluiters voor de detector beweegt. De melding "Kalibreren..." verschijnt bovenaan in het midden van het scherm wanneer het apparaat zichzelf kalibreert. De zelfkalibratie zal vaker plaatsvinden tijdens het

opstarten of in zeer koude of warme omgevingen. Dit is een normaal onderdeel van de het gebruik om optimale voor uw camera te garanderen.

## Gebruiksaanwijzing

Scan voor gedetailleerde bedieningsinstructies de QR-code om de gebruikershandleiding te downloaden.



## Juridische informatie

### JURIDISCHE DISCLAIMER

VOOR ZOVER MAXIMAAL TOEGESTAAN OP GROND VAN HET TOEPASSELIJK RECHT, WORDEN DEZE HANDLEIDING EN HET OMSCHREVEN PRODUCT, INCLUSIEF HARDWARE, SOFTWARE EN FIRMWARE, GELEVERD 'ZOALS ZE ZIJN', INCLUSIEF 'FOUTEN EN GEBREKEN'. HIKMICRO GEEFT GEEN GARANTIES, EXPLICIET OF IMPLICIET, WAARONDER ZONDER BEPERKING, VERKOOPBAARHEID, BEVREDIGENDE KWALITEIT OF GESCHIKTHEID VOOR EEN BEPAALD DOEL. HET GEBRUIK VAN HET PRODUCT DOOR U IS OP EIGEN RISICO. IN GEEN GEVAL IS HIKMICRO VERANTWOORDELIJK VOOR SPECIALE, BIJKOMENDE, INCIDENTELE OF INDIRECTE SCHADE, WAARONDER, ONDER ANDERE, SCHADE VAN VERLIES AAN ZAKELIJKE WINST, ZAKELIJKE ONDERBREKING OF VERLIES VAN GEGEVENS, CORRUPTIE OF SYSTEMEN, OF VERLIES VAN DOCUMENTATIE, ONGEACHT OF DIT VOORTVLOEIT UIT CONTRACTBREUK, BENADELING (INCLUSIEF NALATIGHEID), PRODUCTAANSPRAAKELIJKHEID OF ANDERS, MET BETREKKING TOT HET PRODUCT, ZELFS ALS HIKMICRO OP DE HOOGTE IS GEBRACHT VAN ZULKE SCHADE OF VERLIES.

U ERKENT DAT DE AARD VAN HET INTERNET INHERENTE VEILIGHEIDSRISICO'S INHOUDT EN DAT HIKMICRO GEEN ENKELE VERANTWOORDELIJKHEID AANVAARDT VOOR ABNORMALE WERKING, HET

UITLEKKEN VAN PERSOONLIJKE GEGEVENS OF ANDERE SCHADE ALS GEVOLG VAN CYBERAANVALLEN, HACKERAANVALLEN, VIRUSBESMETTINGEN OF ANDERE BEVEILIGINGSRISICO'S OP HET INTERNET; INDIEN NODIG VOORZIET HIKMICRO IN TIJDIGE TECHNISCHE ONDERSTEUNING.

U GAAT AKKOORD MET HET GEBRUIK VAN DIT PRODUCT IN OVEREENSTEMMING MET ALLE TOEPASBARE WETTEN EN UITSLUITEND U BENT VERANTWOORDELIJK VOOR DE GARANTIE DAT UW GEBRUIK OVEREENSTEMT MET DE TOEPASBARE WET. U BENT VOORAL VERANTWOORDELIJK DAT HET GEBRUIK VAN DIT PRODUCT GEEN INBREUK MAAKT OP DE RECHTEN VAN DERDEN, INCLUSIEF EN ZONDER BEPERKING DE RECHTEN VAN PUBLICITEIT, INTELLECTUEEL EIGENDOM, OF GEGEVENS BESCHERMING EN ANDERE PRIVACYRECHTEN. U MAG DIT PRODUCT NIET GEBRUIKEN VOOR ENIGE ONWETTIG EINDGEBRUIK, MET INBEGRIIP VAN DE ONTWIKKELING OF DE PRODUCTIE VAN MASSAVERNIEGINGSWAPENS, DE ONTWIKKELING OF DE PRODUCTIE VAN CHEMISCHE OF BIOLOGISCHE WAPENS, ALLE ACTIVITEITEN IN HET KADER VAN EVENTUELE NUCLEAIRE EXPLOSIEN OF ONVEILIGE NUCLEAIRE BRANDSTOF CYCLUS, OF TER ONDERSTEUNING VAN MENSENRECHTENSCHENDINGEN.

IN HET GEVAL VAN ENIGE CONFLICTEN TUSSEN DEZE HANDLEIDING EN DE TOEPASSELIJKE WETGEVING, PREVALEERT DE LAATSTE.

### Informatie met betrekking tot regelgeving

---

**Deze clausules zijn alleen van toepassing op de producten die de overeenkomende markering of informatie dragen.**

---

### EU/VK-nalevingsverklaring

**CE** Dit product en - indien van toepassing - de meegeleverde accessoires dragen het merkteken "CE" en voldoen derhalve aan de toepasselijke geharmoniseerde Europese normen onder richtlijn 2014/30/EU (EMCD), richtlijn 2014/35/EU (LVD), richtlijn 2011/65/EU (RoHS), richtlijn 2014/53/EU.

## Frequentiebanden en vermogen (voor CE/VK)

De nominale limieten voor frequentiebanden en zendvermogen (uitgestraald en/of geleid) die van toepassing zijn op de volgende radioapparatuur zijn als volgt:

**Wi-Fi:** 2,4 GHz (2,4 GHz tot 2,4835 GHz): 20 dBm

Voor een apparaat zonder meegeleverde voedingsadapter, dient u de voedingsadapter te gebruiken van een gekwalificeerde fabrikant. Raadpleeg de productspecificaties voor nauwkeurig omschreven vereisten omtrent de voeding.

Voor een apparaat zonder meegeleverde batterij, dient u de batterij te gebruiken van een gekwalificeerde fabrikant. Raadpleeg de productspecificaties voor nauwkeurig omschreven vereisten omtrent de batterij.



Richtlijn 2012/19/EU (WEEE-richtlijn): Producten die met dit symbool zijn gemarkeerd mogen binnen de Europese Unie niet worden weggegooid als ongesorteerd huishoudelijk afval. Lever dit product voor een juiste recycling in bij uw plaatselijke leverancier bij aankoop van soortgelijke nieuwe apparatuur, of breng het naar daarvoor aangewezen inzamelpunten. Raadpleeg voor meer informatie: [www.recyclethis.info](http://www.recyclethis.info).



Richtlijn 2006/66/EG en zijn amendement 2013/56/EU (Batterijrichtlijn): Dit product bevat een batterij die binnen de Europese Unie niet mag worden weggegooid als ongesorteerd huishoudelijk afval. Zie de productdocumentatie voor specifieke informatie over de batterij. De batterij is gemarkeerd met dit symbool, dat letters kan bevatten die cadmium (Cd), lood (Pb) of kwik (Hg) aanduiden. Lever de batterij voor een juiste recycling in bij uw leverancier of bij een daarvoor aangewezen inzamelpunt. Raadpleeg voor meer informatie: [www.recyclethis.info](http://www.recyclethis.info).

## Veiligheidsinstructies

Deze instructies zijn bedoeld om te verzekeren dat de gebruiker het product juist kan gebruiken om gevaar of verlies van eigendommen te vermijden.

## Wet- en regelgeving

- Gebruik van het product moet in strikte overeenstemming met de plaatselijke elektrische veiligheidsvoorschriften plaatsvinden.

## Transport

- Bewaar het apparaat in de originele of soortgelijke verpakking tijdens vervoer.
- Bewaar alle verpakkingen voor toekomstig gebruik. In het geval van een defect moet u het apparaat terugsturen naar de fabriek met de originele verpakking. Transport zonder de originele verpakking kan leiden tot schade aan het apparaat, waarvoor wij geen verantwoordelijk erkennen.
- Laat het product niet vallen en stel het apparaat niet bloot aan schokken. Houd het toestel uit de buurt van magnetische velden.

## Stroomvoorziening

- De ingangsspanning moet voldoen aan de beperkte voedingsbron (3,85 VDC, 570 mA) volgens de IEC61010-1-norm. Zie de technische specificaties voor gedetailleerde informatie.
- Zorg dat de stekker goed in het stopcontact zit.
- Sluit NOOIT meerdere apparaten aan op één voedingsadapter om oververhitting of brandgevaar door overbelasting te voorkomen.
- Gebruik de door een gekwalificeerde fabrikant geleverde netstroomadapter. Raadpleeg de productspecificaties voor nauwkeurig omschreven vereisten omtrent de voeding.

## Batterij

- Laad het apparaat gedurende 3 uur op voordat u het voor de eerste keer gebruikt.
- Onjuist gebruik of onjuiste vervanging van de batterij kan resulteren in explosiegevaar. Vervang hem alleen door hetzelfde of een gelijkwaardig type. Voer gebruikte batterijen af in overeenstemming met de instructies van de batterij fabrikant.
- De ingebouwde batterij kan niet worden gedemonteerd. Neem indien nodig contact op met de fabrikant voor reparatie.
- Voor langdurige opslag van de batterij moet u ervoor zorgen dat deze elk half jaar volledig wordt opgeladen om de kwaliteit van de batterij te waarborgen. Als u dit niet doet, kan dit leiden tot schade.
- Gebruik de door een gekwalificeerde fabrikant geleverde batterij. Raadpleeg de productspecificaties voor nauwkeurig omschreven vereisten omtrent de batterij.
- Houd de batterij uit in de buurt van hitte- of open vuur. Vermijd direct zonlicht.
- Slik de batterij niet in om chemische brandwonden te voorkomen.
- Houd de batterij buiten het bereik van kinderen.
- Wanneer het apparaat is uitgeschakeld en de RTC-batterij vol is, kunnen



de tijdstellingen 6 maanden worden bewaard.

- Laad het apparaat vóór het eerste gebruik meer dan 2,5 uur op in de uit-stand.
- De spanning van de batterij is 3,85 V en de batterijcapaciteit is 2100 mAh.
- De batterij is gecertificeerd met UL2054.

### Onderhoud

- Als het product niet goed werkt, neem dan contact op met uw leverancier of het dichtstbijzijnde servicecentrum. Wij aanvaarden geen verantwoordelijkheid voor problemen die zijn veroorzaakt door ongeautoriseerde reparatie of onderhoud.
- Een paar componenten van het apparaat (o.a. elektrolytische condensator) vereisen regelmatige vervanging. De gemiddelde levensduur varieert, dus periodieke controle wordt aanbevolen. Neem contact op met uw leverancier voor meer informatie.
- Veeg het apparaat voorzichtig schoon met een schone doek en, indien nodig, een kleine hoeveelheid ethanol.
- Als de apparatuur wordt gebruikt op een manier die niet door de fabrikant is gespecificeerd, kan de bescherming van het apparaat worden aangetast.

### Kalibratieservice

- We raden u aan het apparaat één keer per jaar terug te sturen voor kalibratie en contact op te nemen met de plaatselijke leverancier voor informatie over onderhoudspunten. Kijk voor meer gedetailleerde kalibratieservices op <https://www.hikmicrotech.com/en/support/calibration-service.html>

### Gebruiksomgeving

- Stel het apparaat niet bloot aan extreem warme, koude, stoffige, corrosieve, zout-alkalische of vochtige omgevingen. Zorg dat de gebruiksomgeving voldoet aan de vereisten van het apparaat. Het apparaat werkt bij een temperatuur van -10 °C tot 50 °C en een luchtvochtigheid van 95% of minder.
- Plaats het apparaat in een droge en goed geventileerde omgeving.
- Stel het apparaat NIET bloot aan hoge elektromagnetische straling of

stoffige omgevingen.

- Richt de lens NIET op de zon of een ander fel licht.
- Wanneer laserapparatuur in gebruik is, zorg er dan voor dat de lens van het apparaat niet wordt blootgesteld aan de laserstraal, anders kan deze doorbranden.
- Het apparaat is geschikt voor gebruik binnens- en buitenshuis, maar stel het niet bloot aan vocht.
- Het beschermingsniveau is IP 54.
- De vervuilingsgraad is 2.

### Technische ondersteuning

- De portal <https://www.hikmicrotech.com/en/contact-us.html> helpt u als HIKMICRO-klant om het meeste uit uw HIKMICRO-producten te halen. De portal geeft u toegang tot ons ondersteuningsteam, software en documentatie, onderhoudscontacten, enz.

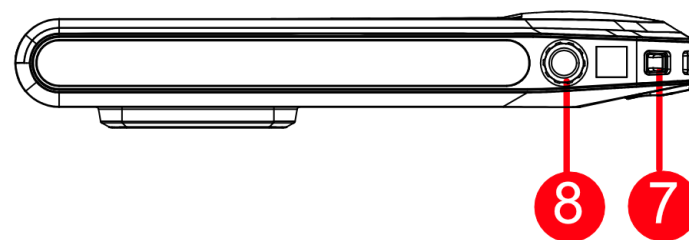
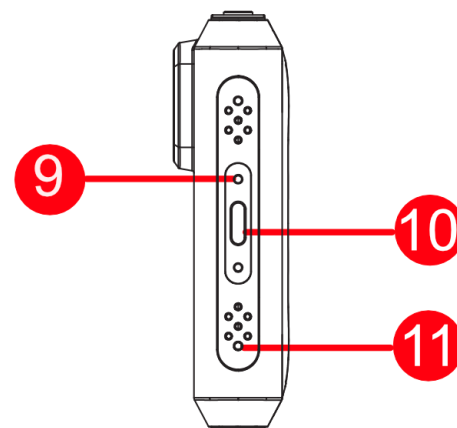
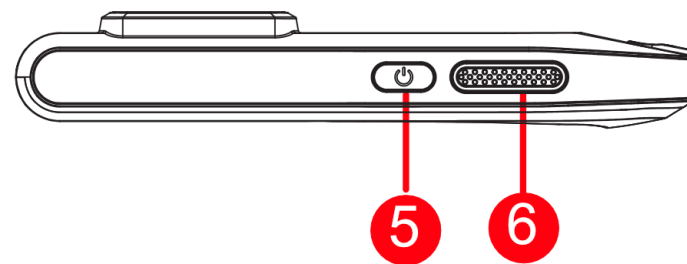
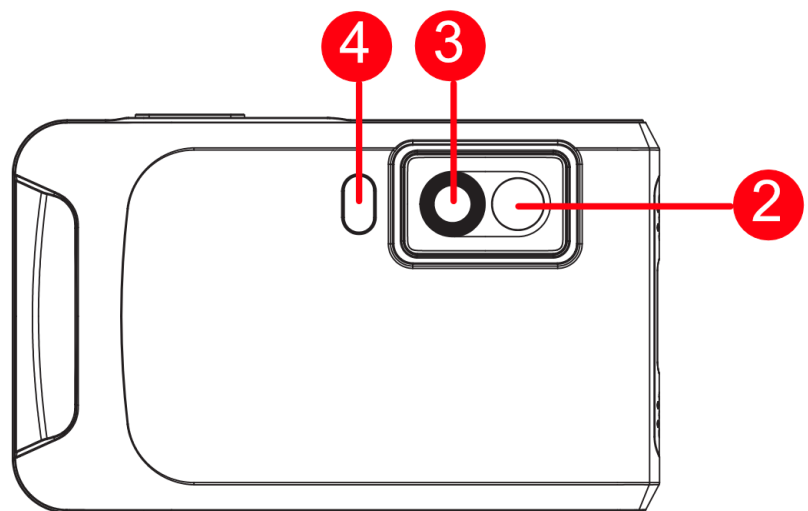
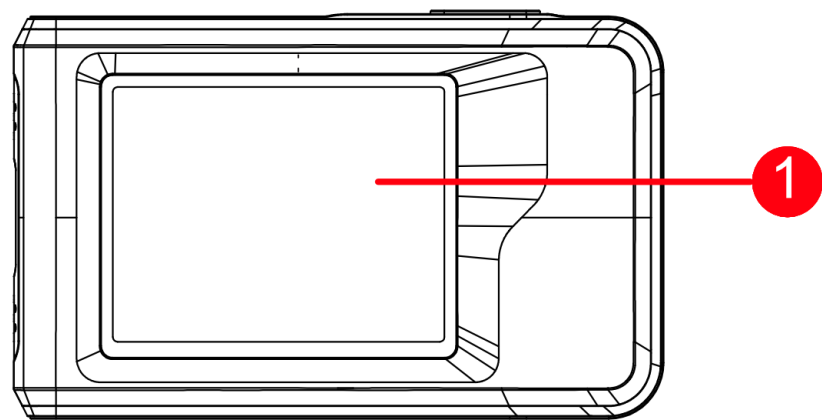
### Noodgeval

- Als er rook, geur of geluid uit het apparaat komt, schakel het dan onmiddellijk uit, haal de stekker van het netsnoer uit het stopcontact en neem contact op met het servicecentrum.

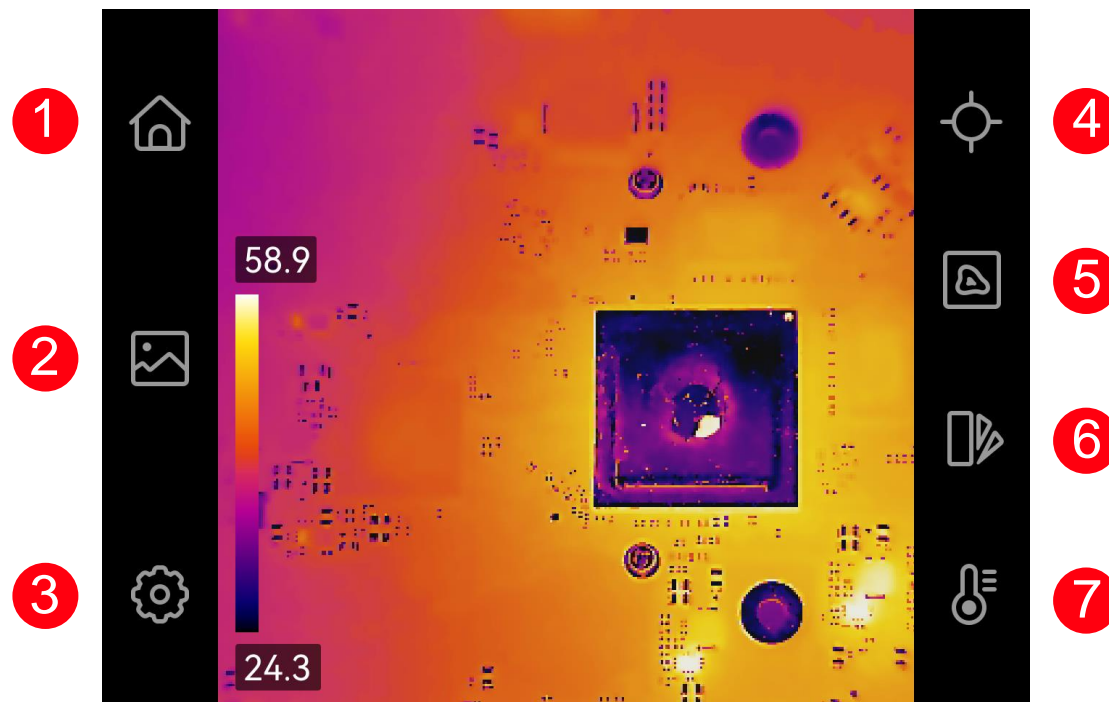
### Adres fabrikant

Kamer 313, Unit B, Gebouw 2, 399 Danfeng Road, subdistrict Xixing, district Binjiang, Hangzhou, Zhejiang 310052, China  
Hangzhou Microimage Software Co., Ltd.

MEDEDELING VAN NALEVING: De producten thermische serie kunnen zijn onderworpen aan exportcontroles in verschillende landen of regio's, inclusief zonder enige beperking de Verenigde Staten, de Europese Unie, het Verenigd Koninkrijk en/of andere lidstaten van de Overeenkomst van Wassenaar. Neem contact op met uw professionele juridische of nalevingsexpert of plaatselijke overheidsinstanties omtrent enige noodzakelijke vereisten voor een exportvergunning als u van plan bent de producten thermische serie te verplaatsen, exporteren of her-exporteren tussen verschillende landen.



Nr.	Beskrivelse	Funktion
1	Berøringskontrolskærm	Se billede, og betjen enhed med berøringskontrol.
2	Visuelt objektiv	Se det optiske billede.
3	Termisk objektiv	Se det termiske billede.
4	Blinklampe	Oplys genstande, og udsend blinkende alarm.
5	Afbryderknap	Langt tryk for at tænde/slukke enheden.
6	Optagelsestast	Tryk for at tage et billede. Hold for at starte optagelsen af en video, og tryk igen for at stoppe.
7	Fastgørelsespunkt til strop	Fastgør håndledsstroppen.
8	Beslag til trebenet stativ	Fastgør et trebenet stativ.
9	Kontrollampe for opladning	Vis opladningsstatus for enheden. <ul style="list-style-type: none"> <li>● Konstant rød: Oplader normalt</li> <li>● Blinker rødt: Undtagelse i opladning</li> <li>● Konstant grøn: Fuldt opladet</li> </ul>
10	Grænseflade til Type-C	Oplad enheden, eller eksportér filer med et Type-C-kabel.
11	Mikrofon	Optag lyd.



Nr.	Beskrivelse	Funktion
1	Startside	Tryk for at gå tilbage til livevisning.
2	Album	Åbn album for at se billeder og videoer.
3	Indstillinger	Justér lokale indstillinger for enhed.
4	Målinger	Slå måleværktøjer til/fra.
5	Billedvisningstilstand	Skift live billedvisningstilstand fra termisk, visuel, fusion osv.
6	Paletter	Skift farvepalet for termisk billede.
7	Niveau og spredning	Justér temperaturintervallet for visning af termisk billede.

## Temperaturmåling

Med den indbyggede IR-detektor med høj følsomhed og højtydende sensor er intervallet for temperaturmålinger  $-20\text{ °C}$  til  $350\text{ °C}$  ( $-4\text{ °F}$  til  $662\text{ °F}$ ) med en nøjagtighed i temperaturmålingen på  $\pm 2\text{ °C}$  ( $\pm 3,6\text{ °F}$ ) eller  $2\%$ , når den omgivende temperatur er  $15\text{--}35\text{ °C}$  ( $59\text{--}95\text{ °F}$ ), og genstandens temperatur er over  $0\text{ °C}$  ( $32\text{ °F}$ ).

## Rullemenu

Du kan justere lysstyrken og aktivere funktioner såsom wi-fi, hotspot, skærmstream, blinklampe og mørk/lys tilstand i rullemenuen.

## Tilslutning til klientsoftware

Du kan se livevisning, tage billeder og optage videoer via appen HIKMICRO Viewer på din telefon. Scan QR-koderne på dækslet for at downloade appen.

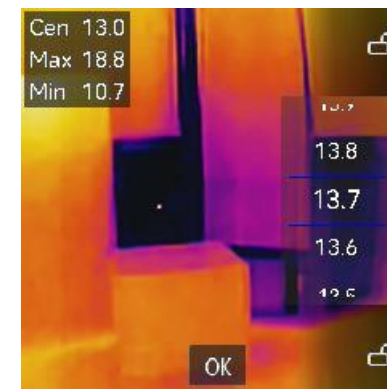
Du kan også downloade HIKMICRO Analyzer (<https://www.hikmicrotech.com/en/industrial-product/s/hikmicro-analyzer-software.html>) for at analysere billeder professionelt offline og generere rapporter i brugerdefineret format på din PC.

## Billedjustering

Funktionen Niveau og spredning kan justeres manuelt eller automatisk for at opnå en god termisk effekt for

bedre analyse af temperaturforskelle.

I automatisk tilstand justerer enheden automatisk temperaturintervallet for visning. I manuel tilstand kan du trykke på et interesseområde på skærmen og rulle med temperaturhjulet for at justere temperaturintervallet, der skal vises.



**Bemærk:** Dit kamera vil med jævnt mellemrum udføre selvkalibrering for at optimere billedkvaliteten og målenøjagtigheden. I denne proces sættes billedet på pause midlertidigt, og du hører et “klik”, når lukkeren bevæger sig foran detektoren. Beskeden “Kalibrerer ...” vises øverst i midten på skærmen, mens enheden kalibrerer sig selv. Der foretages selvkalibrering hyppigere under start eller i meget kolde eller varme omgivelser. Dette er en normal del af driften, der sikrer optimal drift for dit kamera.

## Brugervejledning

Scan QR-koden for at hente brugervejledningen med detaljeret vejledning i betjening.



## Juridiske oplysninger

### JURIDISK ANSVARFRASKRIVELSE

VEJLEDNINGEN OG DET HERI BESKREVNE PRODUKT, INKL. HARDWARE, SOFTWARE OG FIRMWARE, LEVERES I STØRST MULIGT OMFANG, DER ER TILLADT VED LOV, "SOM DET ER OG FOREFINDES" OG "MED ALLE DEFEKTER OG FEJL". HIKMICRO UDSTEDER INGEN GARANTIER, HVERKEN UDTRYKKELIGE ELLER UNDERFORSTÅEDE, INKL. UDEN BEGRÆNSNING, VEDRØRENDE SALGBARHED, TILFREDSSTILLELSE KVALITET ELLER EGNETHED TIL ET BESTEMT FORMÅL. DIN BRUG AF PRODUKTET SKER PÅ DIN EGEN RISIKO. UNDER INGEN OMSTÆNDIGHEDER ER HIKMICRO ANSVARLIG OVER FOR DIG FOR SÆRLIGE SKADER, HÆNDELIGE SKADER, FØLGESKADER ELLER INDIREKTE SKADER, INKL. BL.A., SKADER SOM FØLGE AF DRIFTSTAB, DRIFTSFORSTYRRELSER ELLER TAB AF DATA, BESKADIGELSE AF SYSTEMER ELLER TAB AF DOKUMENTATION, UANSET OM DET ER BASERET PÅ KONTRAKTBRUD, SKADEVOLDENDE HANDLINGER (HERUNDER UAGTSOMHED), PRODUKTANSVAR ELLER PÅ ANDEN MÅDE I FORBINDELSE MED BRUGEN AF PRODUKTET, SELVOM HIKMICRO ER BLEVET UNDERRETTET OM MULIGHEDEN FOR SÅDANNE SKADER. DU ANERKENDER, AT INTERNETTET INDEHOLDER INDBYGGEDE SIKKERHEDSRISICI. HIKMICRO PÅTAGER SIG INTET ANSVAR FOR UNORMAL DRIFT, LÆKAGE AF PERSONLIGE OPLYSNINGER ELLER ANDRE SKADER SOM FØLGE AF CYBERANGREB, HACKERANGREB, VIRUSANGREB ELLER ANDRE INTERNETSikkerhedsrisici. HIKMICRO VIL DOG YDE EVENTUEL

NØDVENDIG OG RETTIDIG TEKNISK SUPPORT.

DU ERKLÆRER DIG INDFORSTÅET MED AT BRUGE PRODUKTET I OVERENSSTEMMELSE MED ALLE GÆLDENDE LOVE, OG DU ER ENEANSVARLIG FOR AT SIKRE, AT DIN BRUG OVERHOLDER AL GÆLDENDE LOVGIVNING. DU ER ISÆR ANSVARLIG FOR AT BRUGE PRODUKTET PÅ EN MÅDE, DER IKKE KRÆNKER TREDJEPARTERS RETTIGHEDER, HERUNDER, UDEN BEGRÆNSNINGER, RETTIGHEDER VEDRØRENDE OFFENTLIG OMTALE, INTELLEKTUELLE EJENDOMSRETTIGHEDER ELLER RETTIGHEDER VEDRØRENDE DATABESKYTTELSE OG ANDRE RETTIGHEDER VEDRØRENDE PERSONLIGE OPLYSNINGER. DU MÅ IKKE BRUGE PRODUKTET TIL FORBUDTE SLUTANVENDELSER, HERUNDER UDVIKLING ELLER FREMSTILLING AF MASSEØDELÆGGELSESVÅBEN, UDVIKLING ELLER PRODUKTION AF KEMISKE ELLER BIOLOGISKE VÅBEN, AKTIVITETER I DEN KONTEKST, DER ER KNYTTET TIL ATOMBOMBER ELLER USIKKERT REAKTORBRÆNDELSE, ELLER SOM STØTTE TIL OVERTRÆDELSE AF MENNESKERETTIGHEDER. I TILFÆLDE AF UOVERENSSTEMMELSE MELLEM VEJLEDNINGEN OG GÆLDENDE LOVGIVNING GÆLDER SIDSTNÆVNTE.

### Lovgivningsmæssige oplysninger

---

**Disse bestemmelser gælder kun for produkter, der er forsynet med det relevante mærke eller oplysninger.**

---

### Overensstemmelseserklæring for EU/Storbritannien

**CE** Produktet og eventuelt medfølgende tilbehør er mærket "CE" og opfylder derfor de gældende harmoniserede europæiske standarder, der er anført i EU-direktiv 2014/30/EU (EMCD), EU-direktiv 2014/35/EU (LVD), EU-direktiv 2011/65/EU (RoHS) og EU-direktiv 2014/53/EU.

### Frekvensbånd og effekt (for CE/Storbritannien)

De nominelle grænser for frekvensbånd og sendeeffekt (udstrålet og/eller ledt) for dette radioudstyr er som følger:

**Wi-fi:** 2,4 GHz (2,4-2,4835 GHz): 20 dBm

For enheder uden medfølgende strømadapter skal du bruge en



strømadapter fra en kvalificeret producent. Se de nærmere krav til strømforsyning i produktspecifikationerne.

Vedrørende enheder uden et medfølgende batteri skal du bruge batterier fra en kvalificeret producent. Se de nærmere krav til batterier i produktspecifikationen.



EU-direktiv 2012/19/EU (WEEE-direktivet): Produkter, der er mærket med dette symbol, kan ikke bortskaffes som almindeligt husholdningsaffald i EU. Med henblik på korrekt genbrug skal du aflevere produktet til din lokale leverandør ved køb af tilsvarende nyt udstyr eller aflevere det på et dertil indrettet indleveringssted. For yderligere oplysninger se: [www.recyclethis.info](http://www.recyclethis.info).



Direktiv 2006/66/EF som ændret ved 2013/56/EU (batteridirektivet): Dette produkt indeholder et batteri, som ikke kan bortskaffes sammen med almindeligt husholdningsaffald i EU. Find specifikke oplysninger om batteriet i produktokumentationen. Batteriet er mærket med dette symbol, som kan indeholde bogstaver, der indikerer indhold af kadmium (Cd), bly (Pb) eller kviksølv (Hg). Med henblik på korrekt genbrug skal du aflevere batteriet til din leverandør eller til et dertil indrettet indleveringssted. For yderligere oplysninger se: [www.recyclethis.info](http://www.recyclethis.info).

### Sikkerhedsanvisning

Disse anvisninger skal sikre, at brugeren kan anvende produktet korrekt og undgå fare eller tab af ejendom.

### Love og bestemmelser

- Brug af dette produkt skal strengt overholde lokale bestemmelser for elektrisk sikkerhed.

### Transport

- Opbevar enheden i den oprindelige eller en lignende emballage, når den skal transporteres.
- Gem al emballage efter udpakningen til senere brug. Du skal bruge den originale emballage til at returnere enheden til fabrikken, hvis der opstår fejl. Transport uden den originale emballage kan medføre skade på enheden, og virksomheden tager intet ansvar derfor.
- Tab ikke produktet, og udsæt det ikke for fysiske stød. Hold enheden væk fra magnetisk interferens.

### Strømforsyning

- Indgangsspændingen skal opfylde den begrænsede strømkilde (LPS) (3,85 V jævnstrøm, 570 mA) i henhold til standarden IEC61010-1. Du kan finde nærmere oplysninger i de tekniske specifikationer.
- Kontrollér, at stikket er sat godt i stikkontakten.
- Slut IKKE flere enheder til én strømadapter for at undgå overhedning eller brandfare som følge af overbelastning.
- Brug en strømadapter fra en godkendt producent. Se de nærmere krav til strømforsyning i produktspecifikationerne.

### Batteri

- Oplad enheden i 3 timer, før du bruger den første gang.
- Forkert brug eller udskiftning af batteriet kan resultere i fare for eksplosion. Udskift kun med samme eller tilsvarende type. Bortskaf brugte batterier i overensstemmelse med batteriproducentens vejledning.
- Det indbyggede batteri kan ikke demonteres. Kontakt producenten, hvis du har brug for en reparation.
- Hvis batteriet skal opbevares i en længere periode, skal du sikre, at det oplades fuldt hvert halve år for at bevare batteriets ydeevne. Ellers kan der opstå skade.
- Brug et batteri fra en godkendt producent. Se de nærmere krav til batterier i produktspecifikationen.
- Batteriet må IKKE anbringes i nærheden af en varmekilde eller åben ild. Undgå direkte sollys.
- For at undgå kemisk forbrænding må batteriet IKKE sluges.
- Batteriet må IKKE anbringes inden for børns rækkevidde.
- Når enheden er slukket, og batteriet til realtidsuret er fuldt opladet, kan tidsindstillingerne bevares i 6 måneder.
- Oplad enheden ved første brug i mere end 2,5 timer i slukket tilstand.
- Batterispændingen er 3,85 V, og batterikapaciteten er 2100 mAh.
- Batteriet er certificeret af UL2054.

### Vedligeholdelse

- Hvis produktet ikke virker korrekt, skal du kontakte din forhandler eller dit nærmeste servicecenter. Vi påtager os intet ansvar for problemer, der er forårsaget af uautoriseret reparation eller vedligeholdelse.
- Der er få enhedsdele (fx elektrolytkondensator), der skal udskiftes regelmæssigt. Den gennemsnitlige levetid varierer. Derfor er det nødvendigt at udføre regelmæssig kontrol. Kontakt din forhandler for nærmere oplysninger.

- Tør enheden forsigtigt af med en ren klud og en lille mængde ætanol, hvis det er nødvendigt.
- Hvis udstyret bruges på en måde, der ikke er angivet af producenten, kan den beskyttelse, der enheden giver, blive forringet.

#### **Kalibreringstjeneste**

- Vi anbefaler, at du returnerer enheden med henblik på kalibrering en gang om året. Kontakt din lokale forhandler for at få oplysninger om vedligeholdelsespunkter. Find flere oplysninger om kalibreringstjenester på <https://www.hikmicrotech.com/en/support/calibration-service.html>

#### **Driftsmiljø**

- Enheden må IKKE udsættes for ekstremt varme, kolde, støvede, korroderende, salt- og alkaliholdige eller fugtige omgivelser. Kontrollér, at driftsmiljøet opfylder enhedens krav. Driftstemperaturen skal være -10 °C til 50 °C (14 °F til 122 °F), og driftsluftfugtigheden skal være 95 % eller mindre.
- Anbring enheden i et tørt og veludluftet miljø.
- Enheden må IKKE udsættes for kraftig elektromagnetisk stråling eller støvfylde miljøer.
- Objektivet må IKKE rettes mod solen eller et stærkt lys.
- Når der er et laserudstyr i brug, skal det kontrolleres, at enhedens objektiv ikke udsættes for laserstrålen, ellers kan det brænde ud.
- Enheden er egnet til indendørs og udendørs brug men må ikke udsættes for våde forhold.
- Beskyttelsesklassificeringen er IP54.

- Forureningsgraden er 2.

#### **Teknisk support**

- Du kan som HIKMICRO-kunde få hjælp på portalen <https://www.hikmicrotech.com/en/contact-us.html> for at få mest muligt ud af dine HIKMICRO-produkter. På portalen får du adgang til vores supportteam, software og dokumentation, servicekontakter osv.

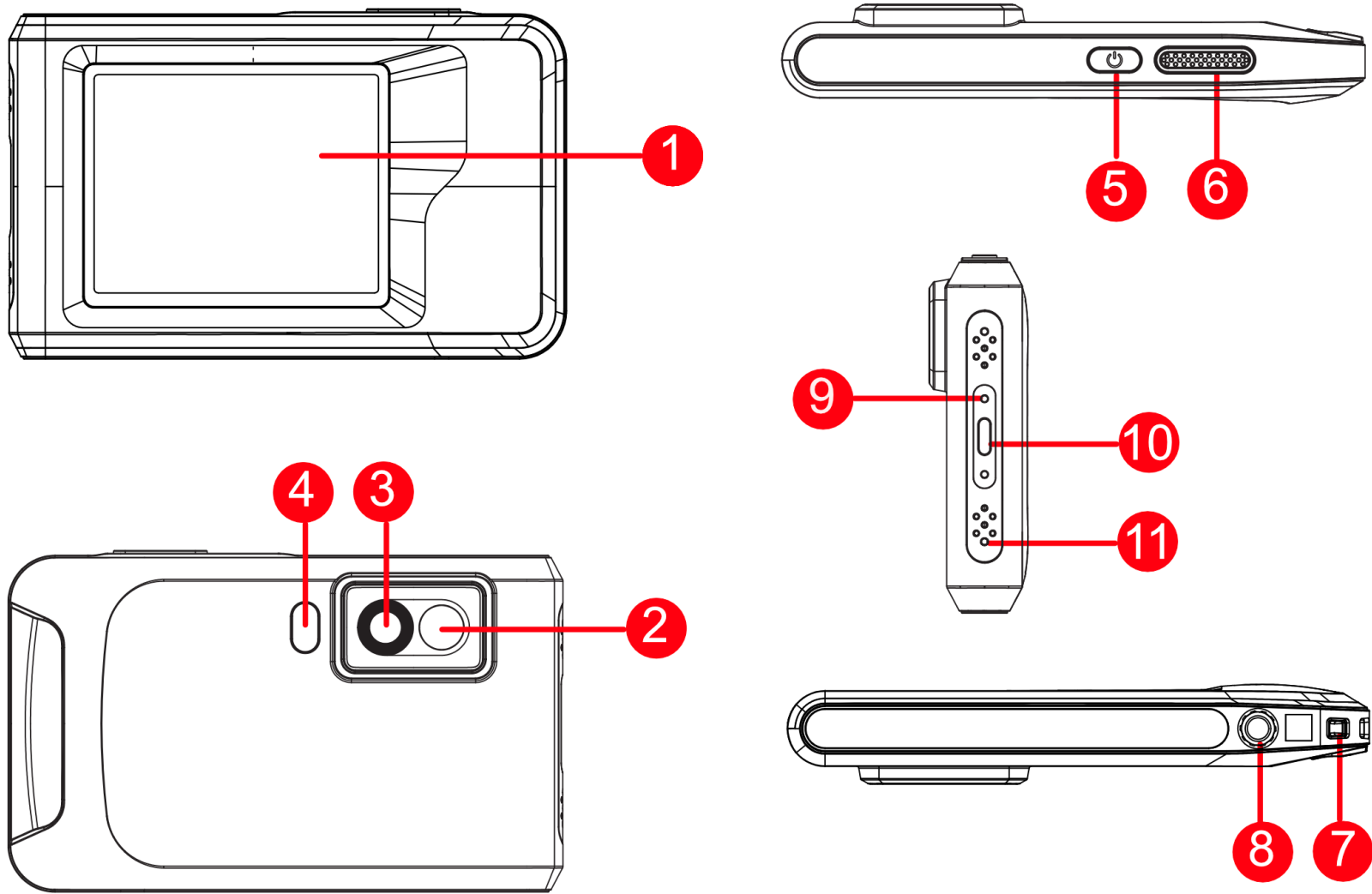
#### **Nødsituation**

- Hvis enheden afgiver røg, lugt eller støj, skal du straks slukke for strømmen og trække strømkablet ud. Kontakt derefter servicecentret.

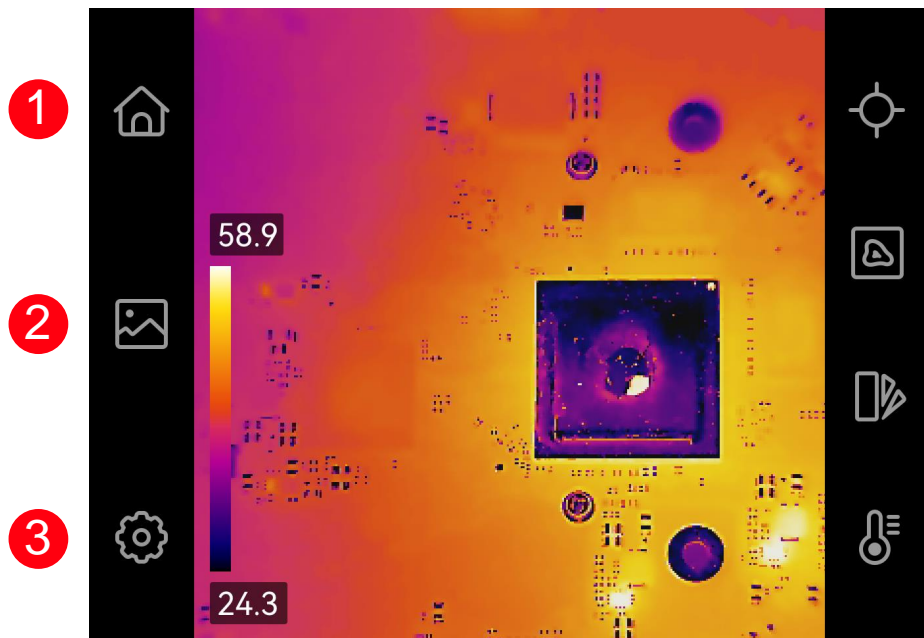
#### **Producentens adresse**

Værelse 313, Enhed B, Bygning 2, 399 Danfeng Vej, Xixing Underdistrikt, Binjiang Distrikt, Hangzhou, Zhejiang 310052, Kina  
Hangzhou Microimage Software Co., Ltd.

MEDDELELSE OM OVERENSSTEMMELSE: Produkterne i den termografiske serie kan være underlagt eksportkontrol i forskellige lande eller områder, herunder, uden begrænsning, USA, EU, Storbritannien og/eller andre medlemslande i Wassenaar-aftalen. Kontakt din professionelle juraekspert, ekspert i overensstemmelse eller de lokale offentlige myndigheder for at få oplysninger om kravene for eksportlicens, hvis du har til hensigt at overføre, eksportere eller geneksportere enheder i den termiske serie mellem forskellige lande.



No.	Beskrivelse	Virkemåte
1	Berørings skjerm	Vis bilder og bruk enheten med berøringskontroll.
2	Visuell linse	Vis det optiske bildet.
3	Termisk linse	Vis det termiske bildet.
4	Lommelykt	Lys på objekter og bruk en blinkende alarm.
5	Strømknapp	Hold nede for å skru enheten av/på.
6	Innspillingsknapp	Trykk for å ta et bilde. Hold inne for å starte et videoopptak, og trykk på nytt for å stoppe.
7	Festepunkt for stropp	Monter håndleddsstroppen.
8	Stativfeste	Monter stativet.
9	Ladeindikator	Angi ladestatusen til enheten. <ul style="list-style-type: none"> <li>● Fast rødt: lader normalt</li> <li>● Blinker rødt: ladeunntak</li> <li>● Fast grønt: fulladet</li> </ul>
10	Type C-grensesnitt	Lad enheten eller eksporter filene med Type-C-kabelen.
11	Mikrofon	Ta opp lyd.



No.	Beskrivelse	Virkemåte
1	Hjem	Trykk for å gå tilbake til direktevisningen.
2	Album	Åpne album for å vise bilder og videoer.
3	Innstillinger	Justere enhetens lokale innstillinger.
4	Målinger	Slå måleverktøy på/av.
5	Bildevisningsmodus	Bytt mellom visningsmodusene

4		termisk, visuell, fusjon osv. for bildet.
6	Paletter	Bytt fargepalett for termisk visning.
5	7	Nivå og omfang
6		Juster temperaturområdet for termisk bildevisning.

### Temperaturmåling

- 7 Med den innebygde, høysensitive IR-detektoren og sensoren med høy ytelse er temperaturmålingsområdet fra -20 °C til 350 °C (-4 °F til 662 °F), og temperaturmålingspresisjonen er ± 2 °C (± 3,6 °F) eller 2 % når omgivelsestemperaturen er 15 °C til 35 °C (59 °F til 95 °F) og objektets temperatur er over 0 °C (32 °F).

### Nedtrekksmeny

Du kan justere lysstyrken i nedtrekksmenyen, og aktivere funksjoner som wifi, hotspot, skjermspeling, lommelykt og mørk/lys modus.

### Forbindelse til klientprogramvare

Du kan vise direktevisning, ta bilder og spille inn videoer via HIKMICRO-visningsappen på telefonen. Skann QR-kodene på omslaget for å laste ned appen.

Du kan også laste ned HIKMICROs analyseprogram (<https://www.hikmicrotech.com/en/industrial-product/s/hikmicro-analyzer-software.html>) for å analysere bilder offline profesjonelt, og generere en rapport med tilpasset format på datamaskinen din.

## Bildejustering

Nivå og spennvidde kan justeres manuelt eller automatisk for å oppnå en god termisk effekt og dermed få en bedre analyse av temperaturredifferansen. I Auto-modus justerer enheten temperaturområdet for visning automatisk. I manuell modus kan du trykke på et interesseområde på skjermen og bruke temperaturhjulet for å justere temperaturområdet for visning.



**Merk:** Kameraet ditt vil med jevne mellomrom utføre en selvkalibrering for å optimere bildekvaliteten og målenøyaktigheten. I denne prosessen vil bildet stoppe

en kort stund, og du vil høre et «klikk» når en lukker beveger seg foran detektoren. Meldingen «Kalibrerer ...» vises øverst i midten av skjermen mens enheten kalibrerer seg selv. Selvkalibreringen vil være hyppigere under oppstart eller i svært kalde eller varme omgivelser. Dette er en normal del av driften for å sikre optimal ytelse for kameraet ditt.

## Brukerhåndbok

Hvis du vil ha mer informasjon om bruken, kan du skanne QR-koden for å laste ned brukerhåndboken.



## Juridisk informasjon

### JURIDISK INFORMASJON

DENNE HÅNDBOKEN OG PRODUKTET DEN GJELDER FOR (MASKINVARE, FASTVARE OG PROGRAMVARE) LEVERES «SOM DET ER», INKLUDERT ALLE FEIL OG MANGLER, TIL DEN GRAD DETTE TILLATES AV GJELDENDE LOVVERK. HIKMICRO GIR INGEN GARANTIER, HVERKEN DIREKTE ELLER UNDERFORSTÅTTE, OM BLANT ANNET SALGBARHET, TILFREDSSTILLENDE KVALITET ELLER EGNETHET FOR SPESIFIKKE FORMÅL. ALL BRUK AV PRODUKTET SKJER UTELUKKENDE PÅ DIN EGEN RISIKO. HIKMICRO ER IKKE UNDER NOEN OMSTENDIGHETER ANSVARLIGE OVERFOR DEG FOR EVENTUELLE SPESIELLE SKADER. FØLGESKADER, TILFELDIGE SKADER ELLER INDIREKTE SKADER, INKLUDERT BLANT ANNET TAP AV FORTJENESTE, AVBRUDD I FORRETNINGSDRIFT, TAP AV DATA, SKADER PÅ DATASYSTEMER



ELLER TAP AV DOKUMENTASJON SOM OPPSTÅR I FORBINDELSE MED BRUKEN AV DETTE PRODUKTET, UAVHENGIG AV OM DETTE SKJER GRUNNET KONTRAKTSBRUDD, FORSØMMELSE, PRODUKTFEIL ELLER ANNET, SELV NÅR HIKMICRO HAR BLITT VARSLET OM AT SLIKE SKADER KAN OPPSTÅ. DU ERKJENNER AT SIKKERHETSRISIKOER LIGGER I INTERNETTS NATUR, OG AT HIKMICRO IKKE TAR NOE ANSVAR FOR UNORMAL DRIFT, LEKKASJER AV PERSONVERN ELLER ANDRE SKADER SOM FØLGER AV CYBERANGREP, VIRUSINFISERING ELLER ANDRE INTERNETTRISIKOER. IMIDLERTID VIL HIKMICRO LEVERER TIDLIG TEKNISK SUPPORT HVIS NØDVENDIG. DU GODTAR Å BRUKE DETTE PRODUKTET I SAMSVAR MED ALLE GJELDENE LOVER, OG AT DU ER ENEANSVARLIG FOR Å FORSIKRE DEG OM AT DIN BRUK SKJER I SAMSVAR MED GJELDENE LOVER. SPESIFIKT NEVNES AT DU ER ANSVARLIG FOR Å BRUKE DETTE PRODUKTET PÅ EN MÅTE SOM IKKE KRENKER RETTIGHETENE TIL TREDJEPARTER, BLANT ANNET RETT TIL PUBLISERING, IMMATERIELLE EIENDOMSRETTIGHETER ELLER LOVER OM DATABESKYTTELSE OG PERSONVERN. DU SKAL IKKE BRUKE PRODUKTET TIL ULOVLIGE FORMÅL, BLANT ANNET UTVIKLING ELLER PRODUKSJON AV MASSEØDELEGGELSESVÅPEN, UTVIKLING ELLER PRODUKSJON AV KJEMISKE OG BIOLOGISKE VÅPEN, ENHVER FORM FOR AKTIVITET KNYTTET TIL KJERNEVÅPEN ELLER UTRYGG BRUK AV KJERNEFYSISK MATERIALE ELLER I FORBINDELSE MED BRUDD PÅ MENNESKERETTIGHETENE. HVIS DET OPPSTÅR KONFLIKTER MELLOM BRUKERHÅNDBOKEN OG GJELDENE LOVVERK, ER DET SISTNEVNTE SOM GJELDER.


### Regulatorisk informasjon

---

**Disse klausulene gjelder kun for produktene med det tilsvarende merket eller informasjonen.**

---

### EU/UK samsvarserklæring

 Dette produktet og – hvis aktuelt, også det medfølgende tilbehøret – er «CE»-merket og samsvarer derfor med de gjeldende harmoniserte europeiske standardene som er oppført under direktiv 2014/30/EU (EMCD), direktiv 2014/35/EU (LVD), direktiv 2011/65/EU (RoHS) og direktiv 2014/53/EU.

### Frekvensbånd og effekt (for CE/UK)

Frekvensbåndene og sendeeffekten (utstrålt og/eller ledet) nominelle grenser som gjelder for følgende radioutstyr, er som følger:

**Wi-Fi:** 2,4 GHz (2,4 GHz til 2,4835 GHz): 20 dBm

For enheter uten medlevert strømadapter brukes et strømadapter fra en kvalifisert produsent. Les produktinformasjonen for mer informasjon om strømkravene.

For enheter uten medlevert batteri brukes et batteri fra en kvalifisert produsent. Se produktspesifikasjonene for detaljer om batterikrav.



Direktiv 2012/19/EU (WEEE-direktiv): Produkter som er merket med dette symbolet kan ikke kastes som restavfall i EU. Produktet skal returneres for resirkulering, enten til en forhandler/leverandør eller på en miljøstasjon eller et lignende, godkjent mottakssted. For mer informasjon, se [www.recyclethis.info](http://www.recyclethis.info).



Direktiv 2006/66/EC og tillegg 2013/56/EU (batteridirektiv): Dette produktet inneholder et batteri som ikke kan kastes som restavfall innenfor EU. Se produktinformasjonen for spesifikk informasjon om batteriet. Batteriet er merket med dette symbolet, som også kan inneholde bokstaver for å indikere at det inneholder kadmium (Cd), bly (Pb) eller kvikksølv (Hg). Batteriet skal returneres for resirkulering, enten til en forhandler/leverandør eller til et godkjent mottakssted. For mer informasjon, se [www.recyclethis.info](http://www.recyclethis.info).

### Sikkerhetsinstruksjoner

Formålet med disse instruksjonene er at brukeren skal kunne bruke produktet riktig for å unngå skade og tap av eiendom.

### Lover og forskrifter

- Bruk av produktet må være i fullstendig samsvar med lokale sikkerhetsregulering for elektrisitet.

### Transport

- Enheten skal oppbevares i den originale emballasjen (eller lignende) under transport.
- Oppbevar all emballasje etter åpning for fremtidig bruk. I tilfelle det oppstår feil, må du returnere enheten til fabrikkens i den originale emballasjen. Transport uten den originale emballasjen kan føre til skader på enheter, et ansvar som ikke dekkes av selskapet.
- Produktet må ikke slippes i bakken eller utsettes for fysiske støt. Hold enheten borte fra magnetiske forstyrrelser.

### Strømforsyning

- Inngangsspenningen skal møte den begrensede strømkilden (3,85 VDC,

570 mA) i henhold til IEC61010-1-standarden. Les den tekniske dokumentasjonen for mer informasjon.

- Sørg for at kontakten er satt riktig inn i stikkkontakten.
- Koble IKKE flere enheter til ett strømadapter. Overbelastning av adaptere kan føre til overoppheting og brannfare.
- Bruk strømadapter levert av en godkjent produsent. Les produktinformasjonen for mer informasjon om strømkravene.

### Batteri

- Lad enheten i 3 timer før du bruker den for første gang.
- Feil bruk eller bytte av batteriet kan medføre eksplosjonsfare. Erstatt det kun med samme eller tilsvarende type. Avhending av brukte batterier skjer i samsvar med instruksjonene gitt av batteriprodusenten.
- Det innebyggede batteriet kan ikke demonteres. Kontakt produsenten for reparasjoner ved behov.
- Ved langvarig lagring må batteriet fullades hvert halvår for å bevare batterikvaliteten. Hvis ikke kan det oppstå skader.
- Bruk batterier levert av en godkjent produsent. Se produktspesifikasjonene for detaljer om batterikrav.
- IKKE plasser batteriet i nærheten av oppvarming eller åpen ild. Unngå direkte sollys.
- IKKE svelg batteriet for å unngå kjemiske brannskader.
- IKKE plasser batteriet i nærheten av barn.
- Når enheten er slått av og RTC-batteriet er fullt, kan tidsinnstillingene beholdes i seks måneder.
- Ved førstegangs bruk må enheten lades i mer enn 2,5 timer mens den er skrudd av.
- Batterispenningen er 3,85 V, og batterikapasiteten er 2100 mAh.
- Batteriet er sertifisert i henhold til UL2054.

### Vedlikehold

- Hvis produktet ikke fungerer som det skal, må du kontakte forhandleren eller nærmeste servicesenter. Vi har ikke noe som helst ansvar for problemer forbundet med uautorisert reparasjon eller vedlikehold.
- Enkelte komponenter (f.eks. den elektrolytiske kondensatoren) må skiftes ut jevnlig. Levetiden kan variere, så det anbefales at det utføres periodiske kontroller. Kontakt forhandleren for mer informasjon.
- Tørk forsiktig av enheten med en ren klut og en liten mengde etanol ved behov.
- Hvis enheten brukes på måter som ikke støttes av produsenten, kan enheten og funksjonene dens forringes.

### Kalibreringstjeneste

- Vi anbefaler at du sender enheten tilbake for kalibrering én gang i året. Kontakt din lokale forhandler for å få informasjon om serviceleverandører. Hvis du vil ha mer detaljerte kalibreringstjenester, kan du besøke <https://www.hikmicrotech.com/en/support/calibration-service.html>

### Bruksomgivelser

- IKKE utsett utstyret for ekstrem varme, kulde, støv, korroderende, saltholdige eller alkaliske miljøer eller fuktige miljøer. Sørg for at bruksomgivelsene oppfyller kravene til enheten. Brukstemperaturen skal være fra  $-10^{\circ}\text{C}$  til  $50^{\circ}\text{C}$  ( $14^{\circ}\text{F}$  til  $122^{\circ}\text{F}$ ), og luftfuktigheten skal være 95 % eller lavere.
- Plasser enheten i et tørt og godt ventilert miljø.
- IKKE eksponer enheten for høy elektromagnetisk stråling eller støvete miljøer.
- Linsen må IKKE rettes mot solen eller andre sterke lyskilder.
- Når laserutstyr er i bruk, må det sørges for at enhetens linse ikke eksponeres for laserstrålen for å unngå at den brenner ut.
- Enheten er egnet for innendørs og utendørs bruk, men den tåler ikke fukt.
- Beskyttelsesnivået er IP 54.
- Forurensningsgraden er 2.

### Teknisk støtte

- Portalen på <https://www.hikmicrotech.com/en/contact-us.html> kan hjelpe HIKMICRO-kunder med å få mest mulig ut av HIKMICRO-produktene sine. Portalen gir tilgang til støtteteamet, programvare og dokumentasjon, tjenestekontrakter o.l.

### Nød

- Hvis det kommer røyk, lukt eller støv fra enheten, må du øyeblikkelig skru av strømmen, trekke ut strømledningen og kontakte et servicesenter.

### Produsentens adresse

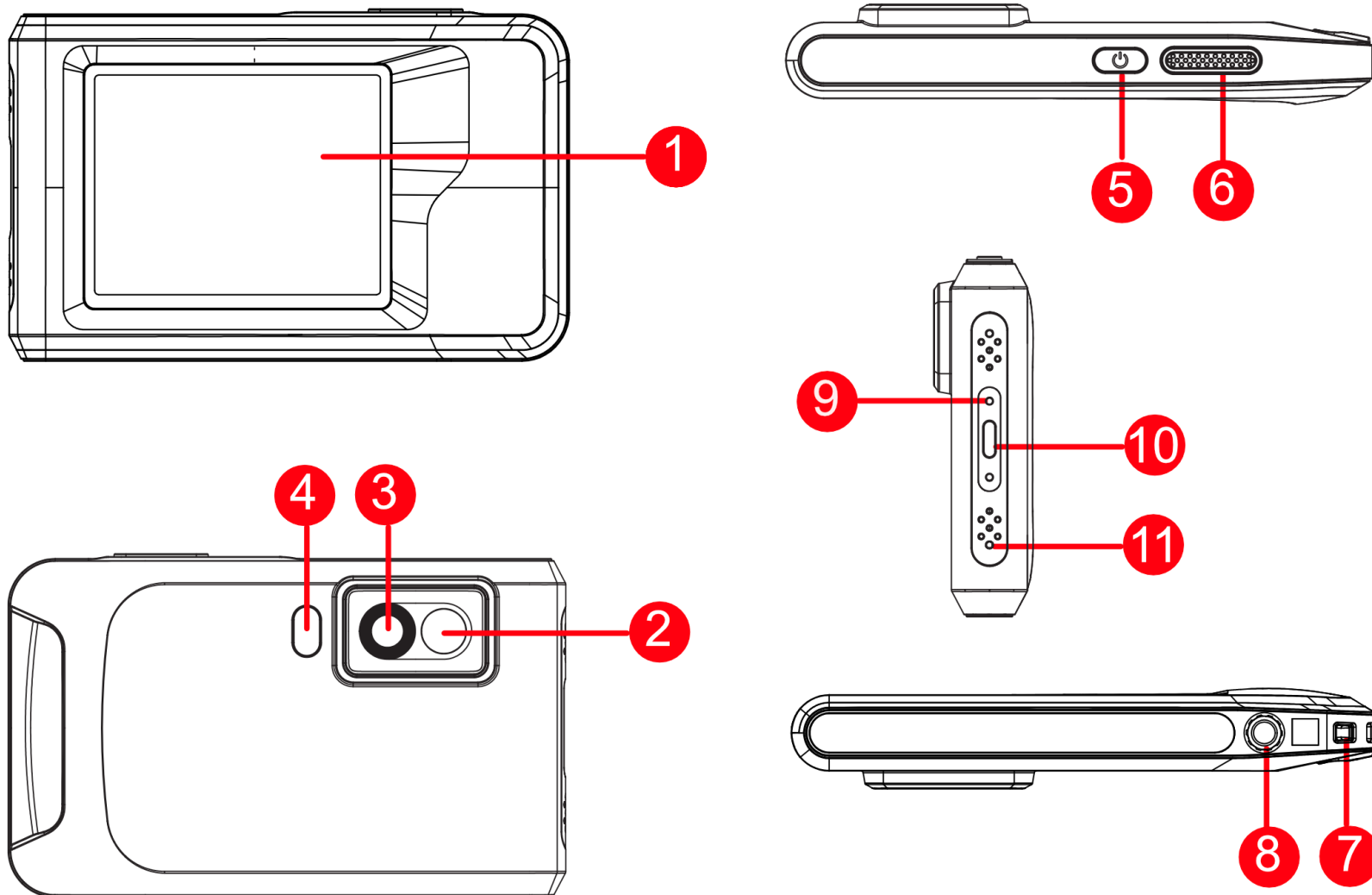
Rom 313, enhet B, bygning 2, 399 Danfeng-veien, Xixing Subdistrict, Binjiang-distriktet, Hangzhou, Zhejiang 310052, Kina  
Hangzhou Microimage Software Co., Ltd.

MERKNAD OM SAMSVAR: Produktene i termoserien kan bli underlagt eksportkontroller i forskjellige land eller regioner, inkludert, uten begrensning, USA, Den europeiske union, Storbritannia og Nord-Irland

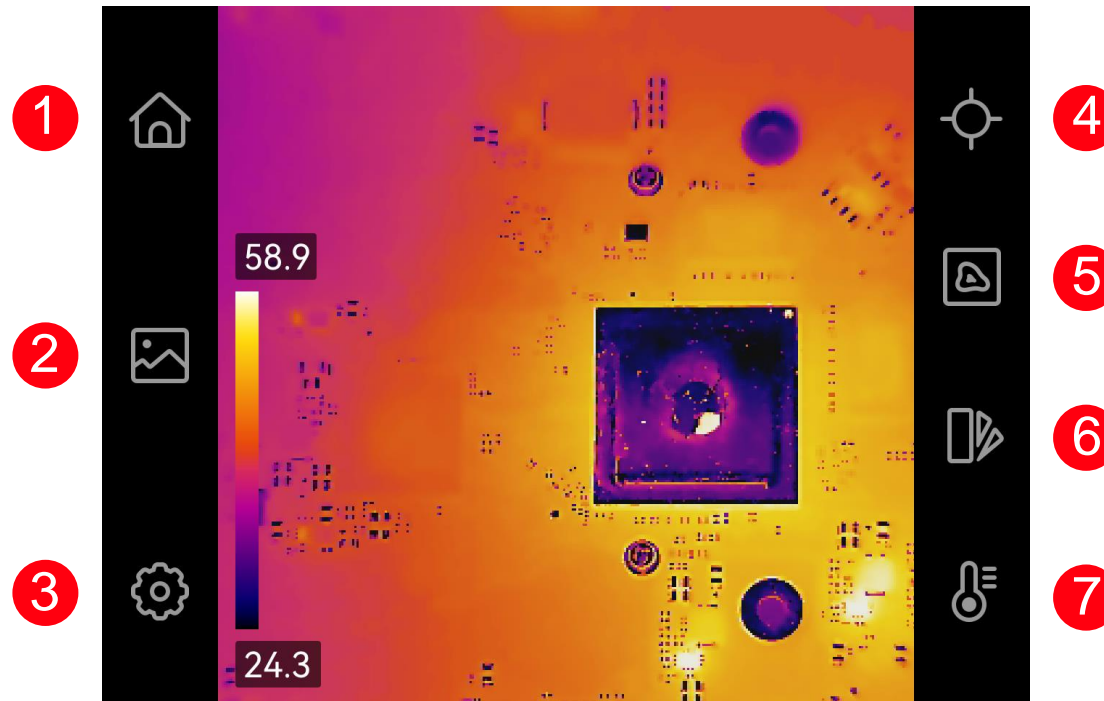
og/eller andre medlemsland i Wassenaar-avtalen. Snakk med din profesjonelle juridiske ekspert eller samsvarekspert, eller lokale myndigheter for eventuelle nødvendige eksportlisenskrav hvis du ønsker å

overføre, eksportere, re-eksportere termoserie-produkter mellom forskjellige land.

## Suomi



Nro	Kuvaus	Toiminto
1	Kosketusnäyttö	Tarkastele kuvaa ja hallitse laitetta kosketuksen avulla.
2	Visuaalinen objektiivi	Katso optista kuvaa.
3	Lämpölinssi	Katso lämpökuvaa.
4	Taskulamppu	Valaisee kohteita ja tuottaa vilkkuvan hälytyksen.
5	Virtapainike	Kytke laitteen virta päälle / pois päältä pitämällä painettuna.
6	Kuvauspainike	Ota kuva painamalla. Aloita videon tallennus pitämällä painettuna ja paina uudelleen, kun haluat pysäyttää.
7	Hihnan kiinnityspiste	Rannehinnan kiinnittämiseen.
8	Kolmijalan liitäntä	Kolmijalan kiinnittämiseen.
9	Latauksen merkkivalo	Ilmaisee laitteen lataustilan. <ul style="list-style-type: none"> <li>● Punainen valo: lataa normaalisti</li> <li>● Vilkkuva punainen: latauspoikkeus</li> <li>● Vihreä valo: ladattu täyteen</li> </ul>
10	Type-C-liitäntäs	Lataa laite tai vie tiedostoja Type-C-liitännän avulla.
11	Mikrofoni	Äänen tallentamiseen.



Nro	Kuvaus	Toiminto
1	Koti	Palaa live-näkymään napauttamalla.
2	Albumit	Avaa albumit, jotta voit tarkastella otettuja kuvia ja videoita.
3	Asetukset	Laitteen paikallisten asetusten säätäminen.
4	Mittaukset	Kytke mittaustyökalut päälle ja pois päältä.
5	Kuvan näyttötila	Kytke live-kuvan näyttötila: lämpökamera, visuaalinen, fuusio jne.
6	Paletit	Kytke lämpökuvan väripaletit.
7	Taso ja laajuus	Säädä lämpökuvan lämpötila-aluetta.

## Lämpötilan mittaus

Sisäänrakennettua herkkää infrapuna-anturia ja suorituskykyistä sensoria käytettäessä lämpötilan mittausalue on  $-20-350\text{ °C}$  ( $-4-662\text{ °F}$ ) ja tarkkuus  $\pm 2\text{ °C}$  ( $\pm 3,6\text{ °F}$ ) tai 2 %, kun ympäristön lämpötila on  $15-35\text{ °C}$  ( $59-95\text{ °F}$ ) ja kohteen lämpötila on yli  $0\text{ °C}$  ( $32\text{ °F}$ ).

## Alaspäin pyyhkäisemällä avattava valikko

Voit säätää alaspäin pyyhkäisemällä avattavasta valikosta kirkkautta ja ottaa käyttöön Wi-Fin, yhteyspisteen, näytön jakamisen, taskulampun ja tumman/kirkkaan tilan kaltaisia toimintoja.

## Asiakasohjelman yhteys

Voit katsoa live-näkymää, kaapata tilannekuvia ja tallentaa videoita puhelimesi HIKMICRO Viewer -sovelluksella. Lataa sovellus skannaamalla kannessa oleva QR-koodi.

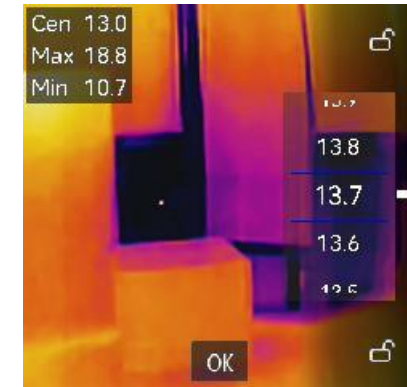
Voit ladata HIKMICRO Analyzer -ohjelman (<https://www.hikmicrotech.com/en/industrial-products/hikmicro-analyzer-software.html>) kuvien ammattimaiseen analysointiin offline-tilassa ja mukautetun muotoisen raportin luomiseen tietokoneella.

## Kuvan säädöt

Taso ja väli voidaan säätää manuaalisesti tai automaattisesti hyvän lämpövaikutuksen

saavuttamiseksi parempaa lämpötilaeron analysointia varten.

Automaattitilassa laite säätää lämpötila-alueen parametrit automaattisesti. Manuaalisessa tilassa voit napauttaa haluamaasi näytön aluetta ja vierittää lämpötilapyörää säätääksesi näytettävän lämpötila-alueen.



**Huomautus:** Kamera kalibroi itsensä ajoittain kuvanlaadun ja mittaustarkkuuden optimoimiseksi. Tässä prosessissa kuva keskeytyy lyhyeksi aikaa ja kuulet napsahduksen, kun suljin liikkuu tunnistimen edessä. Näytön keskellä yläosassa näkyy ilmoitus "Kalibroidaan...", kun laite kalibroi itseään. Itsekalibrointi tapahtuu useammin käynnistyksen aikana tai erittäin kylmissä tai kuumissa ympäristöissä. Tämä on normaali osa toimintaa ja varmistaa kameran



optimaalisen suorituskyvyn.

## Käyttöopas

Katso yksityiskohtaiset käyttöohjeet käyttöoppaasta, jonka saat skannaamalla QR-koodin.



## Oikeudelliset tiedot

### VASTUUVAPAUSLAUSEKE

TÄMÄ KÄYTTÖOPAS JA KUVATTU TUOTE (SISÄLTÄÄ LAITTEISTON, OHJELMISTON JA LAITEOHJELMISTON) TOIMITETAAN SELLAISENAAN KAIKKINE VIKOINEEN JA VIRHEINEEN SIINÄ MÄÄRIN KUIN SOVELLETTAVAT LAIT SEN SALLIVAT. HIKMICRO EI ANNA MITÄÄN NIMEENOMAISIA TAI EPÄSUORIA TAKUITA, MUKAAN LUKIEN NÄIHIN KUITENKAAN RAJOITTUMATTA, MYYNTIKELPOISUUS, TYYDYTTÄVÄ LAATU TAI SOVELTUVUUS TIETTYYN KÄYTTÖTARKOITUKSEEN. TUOTTEEN KÄYTTÖ ON TÄYSIN OMALLA VASTUULLASI. HIKMICRO EI OLE MISSÄÄN TAPAUKSESSA VASTUUSSA SINULLE MISTÄÄN TUOTTEEN KÄYTTÄMISEEN LIITTYVISTÄ ERITYISISTÄ, SEURAAMUKSELLISISTA, TAHATTOMISTA TAI EPÄSUORISTA VAHINGOISTA, MUKAAN LUKIEN MUIDEN LISÄKSI LIIKETOIMINNAN TUOTON MENETTÄMINEN, LIIKETOIMINNAN KESKEYTYMINEN, TIETOJEN MENETTÄMINEN, JÄRJESTELMIEN VAHINGOITTUMINEN, DOKUMENTAATION MENETTÄMINEN, RIIPPUMATTA SIITÄ, ONKO KYSEESSÄ SOPIMUSRIKKOMUS, VAHINKO (MUKAAN LUKIEN HUOLIMATTOMUUS), TUOTEVASTUU TAI MUU, VAIKKA HIKMICROLLE OLISI ILMOITETTU NÄIDEN VAHINKOJEN TAI MENETYSTEN MAHDOLLISUUDESTA. HYVÄKSYT, ETTÄ INTERNET SISÄLTÄÄ LUONNOSTAAN TIETOTURVARISKEJÄ, EIKÄ HIKMICRO OLE VASTUUSSA EPÄNORMAALISTA TOIMINNASTA, YKSITYISTIETOJEN VUOTAMISESTA TAI MUISTA VAHINGOISTA, JOTKA JOHTUVAT TIETOVERKKOHOYÖKKÄYKSISTÄ, HAKKERIHOYÖKKÄYKSISTÄ, VIRUSTARTUNNASTA TAI MUISTA TIETOTURVARISKEISTÄ, MUTTA

HIKMICRO TARJOAA TARVITTAESSA TEKNISTÄ TUKEA. SUOSTUT KÄYTTÄMÄÄN TÄTÄ TUOTETTA KAIKKIEN SOVELLETTAVISSA OLEVIEN LAKIEN MUKAISESTI, JA OLET YKSIN VASTUUSSA SEN VARMISTAMISESTA, ETTÄ KÄYTTÖSI NOUDATTA A SOVELLETTAVISSA OLEVAA LAKIA. OLET ERITYISESTI VASTUUSSA TÄMÄN TUOTTEEN KÄYTTÄMISESTÄ SELLAISELLA TAVALLA, ETTÄ KÄYTTÖ EI RIKO KOLMANSIEN OSAPUOLTEN OIKEUKSIA, MUKAAN LUKIEN MUTTA NÄIHIN RAJOITTUMATTA, JULKAISUOIKEUS, IMMATERIAALIOIKEUDET TAI TIETOSUOJA JA MUUT YKSITYISYYDEN SUOJAT. SINULLA EI OLE LUPAA KÄYTTÄÄ TÄTÄ TUOTETTA MIHINKÄÄN KIELLETTYYN TARKOITUKSEEN, MUKAAN LUKIEN JOUKKOTUHOASEIDEN KEHITYS TAI TUOTANTO, KEMIAALLISTEN TAI BIOLOGISTEN ASEIDEN KEHITYS TAI TUOTANTO TAI MIHINKÄÄN TOIMINTOIHIN, JOTKA LIITTYVÄT MIHINKÄÄN YDINASEESEEN TAI VAARALLISEEN YDINPOLTTOAINEKIERTOON TAI IHMISOIKEUKSIEN RIKKOMISEN TUKEMISEEN. MIKÄLI TÄMÄ KÄYTTÖOPAS JA SOVELLETTAVA LAKI OVAT RISTIRIIDASSA, SOVELLETAAN JÄLKIMMÄISTÄ.

### Sääntelyä koskevat tiedot

---

**Näitä lausekkeita sovelletaan ainoastaan tuotteisiin, joissa on vastaava merkki tai tieto.**

---

### EU:n / Yhdistyneen kuningaskunnan vaatimustenmukaisuusilmoitus

**CE** Tämä tuote ja mahdolliset lisävarusteet on merkitty CE-merkinnällä ja noudattavat sovellettavia yhdenmukaistettuja eurooppalaisia standardeja, jotka on lueteltu direktiivissä 2014/30/EU (EMCD), direktiivissä 2014/35/EU (LVD), direktiivissä 2011/65/EU (RoHS) ja direktiivissä 2014/53/EU.

### Taajuusalueet ja teho (CE/Yhdistynyt kuningaskunta)

Seuraavaan radiolaitteeseen sovellettavat taajuuskaistat ja lähetystehon (säteilevän ja/tai voimalinjaperäisen) nimellisrajat ovat seuraavat:

**Wi-Fi:** 2,4 GHz (2,4–2,4835 GHz): 20 dBm

Jos laitteen mukana ei ole toimitettu virtalähdettä, käytä pätevän valmistajan toimittamaa virtalähdettä. Tuotteen teknisissä tiedoissa on lisätietoa virtaa koskevista vaatimuksista.

Jos laitteen mukana ei ole toimitettu akkua, käytä pätevän valmistajan toimittamaa akkua. Tuotteen teknisissä tiedoissa on lisätietoa akkua koskevista vaatimuksista.



Direktiivi 2012/19/EU (WEEE-direktiivi): Tällä symbolilla merkityt tuotteet ei saa hävittää lajittelemattoman yhdyskuntajätteen mukana Euroopan unionissa. Kierrätä tuote asianmukaisesti palauttamalla se paikalliselle myyjälle vastaavan uuden laitteen hankkimisen yhteydessä tai viemällä se asianmukaiseen keräyspisteeseen. Lisätietoja: [www.recyclethis.info](http://www.recyclethis.info).



Direktiivi 2006/66/EY ja sen muutosdirektiivi 2013/56/EU (paristodirektiivi): Tässä tuotteessa on paristo tai akku, jota ei saa hävittää lajittelemattoman yhdyskuntajätteen mukana Euroopan unionissa. Lisätietoja paristosta tai akusta on tuotteen asiakirjoissa. Paristo tai akku on merkitty tällä symbolilla, ja siihen voi sisältyä käytetyn aineen eli kadmiumin (Cd), lyijyn (Pb) tai elohopean (Hg) kirjainmerkintä. Kierrätä paristo tai akku asianmukaisesti viemällä se myyjälle tai asianmukaiseen keräyspisteeseen. Lisätietoja: [www.recyclethis.info](http://www.recyclethis.info).

### **Turvallisuusohjeet**

Näiden ohjeiden tarkoituksena on varmistaa, että käyttäjä voi käyttää laitetta oikein ja välttää vaaratilanteet tai omaisuusvahingot.

### **Lait ja määräykset**

- Tuotteen käytössä on noudatettava tarkasti paikallisia sähköturvallisuusmääräyksiä.

### **Kuljetus**

- Säilytä laitetta alkuperäispakkauksessaan tai sitä vastaavassa pakkauksessa, kun kuljetat sitä.
- Säilytä kaikki pakkaukset myöhempää käyttöä varten. Jos laitteeseen tulee vika, laite on palautettava tehtaalte alkuperäispakkauksessaan. Kuljettaminen muussa kuin alkuperäispakkauksessa voi johtaa laitteen vahingoittumiseen, eikä yritys ota siitä mitään vastuuta.
- Älä pudota tuotetta tai altista sitä iskuille. Pidä laite loitolla magneettisten häiriöiden lähteistä.

### **Virtalähde**

- Tulojännitteen on vastattava LPS-virtalähteelle (3,85 V DC, 570 mA) asetettuja vaatimuksia IEC61010-1-standardin mukaisesti. Lisätietoa on tuotteen teknisissä tiedoissa.
- Varmista, että pistoke on liitetty oikein pistorasiaan.

- ÄLÄ liitä useita laitteita samaan virtasovittimeen ylikuormituksesta aiheutuvan tulipalovaaran välttämiseksi.
- Käytä pätevän valmistajan toimittamaa virtasovitinta. Tuotteen teknisissä tiedoissa on lisätietoa virtaa koskevista vaatimuksista.

### **Akku**

- Lataa laitetta 3 tuntia ennen ensimmäistä käyttökertaa.
- Akun tai pariston virheellinen käyttö tai vaihtaminen voi aiheuttaa räjähdysvaaran. Vaihda akku tai paristo ainoastaan samanlaiseen tai vastaavaan tuotteeseen. Hävitä käytetyt akut ja paristot valmistajan antamien ohjeiden mukaisesti.
- Sisäänrakennettua akkua ei voi irrottaa. Ota yhteyttä valmistajaan, jos se vaatii korjauksia.
- Kun akkua varastoidaan pitkän aikaa, varmista, että se ladataan täyteen puolen vuoden välein. Näin varmistetaan akun suorituskyvyn säilyminen. Muuten voi syntyä vahinkoja.
- Käytä pätevän valmistajan toimittamaa akkua. Tuotteen teknisissä tiedoissa on lisätietoa akkua koskevista vaatimuksista.
- ÄLÄ laita akkua lämmönlähteen tai tulen lähelle. Vältä suoraa auringonvaloa.
- ÄLÄ nielaise akkua, sillä se voi aiheuttaa syöpymävammoja.
- ÄLÄ aseta akkua lasten ulottuville.
- Kun laite on kytketty pois päältä ja RTC-akku on ladattu täyteen, aika-asetukset säilyvät 6 kuukauden ajan.
- Lataa laitetta ensimmäisellä käyttökerralla yli 2,5 tuntia niin, että virta on katkaistuna.
- Akun jännite on 3,85 V ja akun kapasiteetti on 2 100 mAh.
- Akku on UL2054-sertifioitu.

### **Kunnossapito**

- Jos tuote ei toimi oikein, ota yhteys jälleenmyyjään tai lähimpään huoltokeskukseen. Emme ole vastuussa ongelmista, jotka johtuvat luvattomista korjaus- tai huoltotoista.
- Jotkut osat (esim. elektrolyyttikondensaattori) on vaihdettava säännöllisesti. Keskimääräinen käyttöikä vaihtelee, joten on suositeltavaa suorittaa tarkastuksia aika ajoin. Ota yhteyttä jälleenmyyjään saadaksesi lisätietoja.
- Pyyhi laitteen pinnat varovaisesti puhtaalla liinalla ja tarvittaessa pienellä määrällä etanolia.
- Jos laitetta käytetään muulla kuin valmistajan määrittämällä tavalla, laitteen tarjoama suojaus saattaa heikentyä.

## Kalibrointihuolto

- Suosittelemme lähettämään laitteen kerran vuodessa takaisin kalibroitavaksi. Ota yhteyttä paikalliseen jälleenmyyjään saadaksesi lisätietoja valtuutetuista huoltopisteistä. Tarkempia tietoja kalibrointihuollosta on osoitteessa <https://www.hikmicrotech.com/en/support/calibration-service.html>.

## Käyttöympäristö

- ÄLÄ altista laitetta erittäin kuumille, kylmille, pölyisille, syövyttävälle, kosteille tai suolaisille alkaliympäristöille. Varmista, että käyttöympäristö täyttää laitteelle määritetyt vaatimukset. Käyttölämpötila on  $-10\text{ °C} - 50\text{ °C}$  ( $14\text{ °F} - 122\text{ °F}$ ), ja käyttöympäristön ilmankosteus saa olla enintään 95 %.
- Sijoita laite kuivaan ja hyvin ilmastoituun paikkaan.
- ÄLÄ altista laitetta suurelle sähkömagneettiselle säteilylle tai pölyiselle ympäristölle.
- ÄLÄ suuntaa objektiivia aurinkoon tai muuhun kirkkaaseen valoon.
- Kun laserlaitetta käytetään, varmista, ettei lasersäde osu laitteen kennoon. Muussa tapauksessa kenno voi palaa.
- Laite sopii sisä- ja ulkokäyttöön, mutta sitä ei saa altistaa märille olosuhteille.
- Suojaustaso on IP 54.
- Saasteaste on 2.

## Tekninen tuki

- <https://www.hikmicrotech.com/en/contact-us.html>-portaali auttaa HIKMICRO-asiakkaita hyödyntämään HIKMICRO-tuotteita mahdollisimman tehokkaasti. Portaalin kautta saa yhteyden tukitiimiimme ja sen kautta pääsee tarkastelemaan ohjelmistoa, dokumentaatiota, huoltosopimuksia jne.

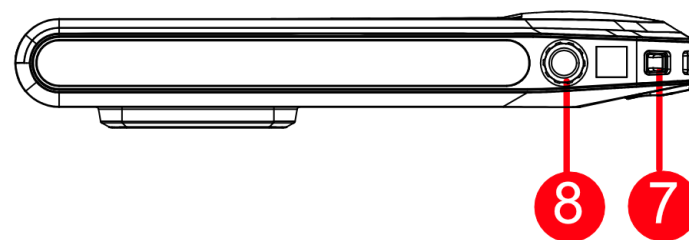
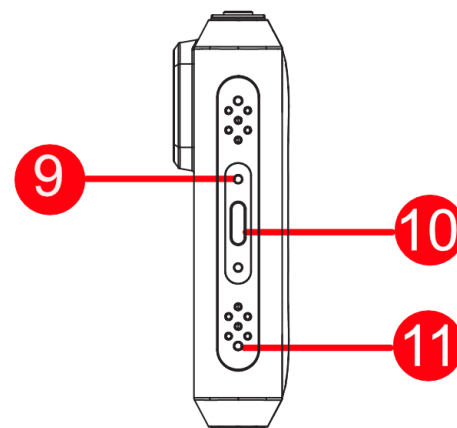
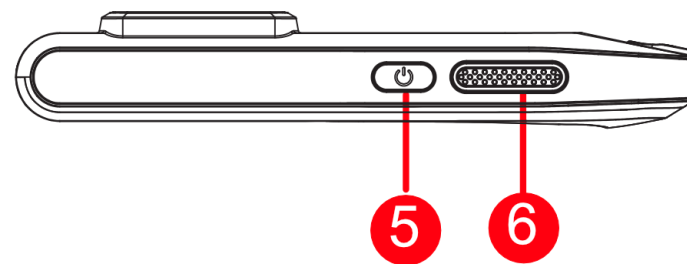
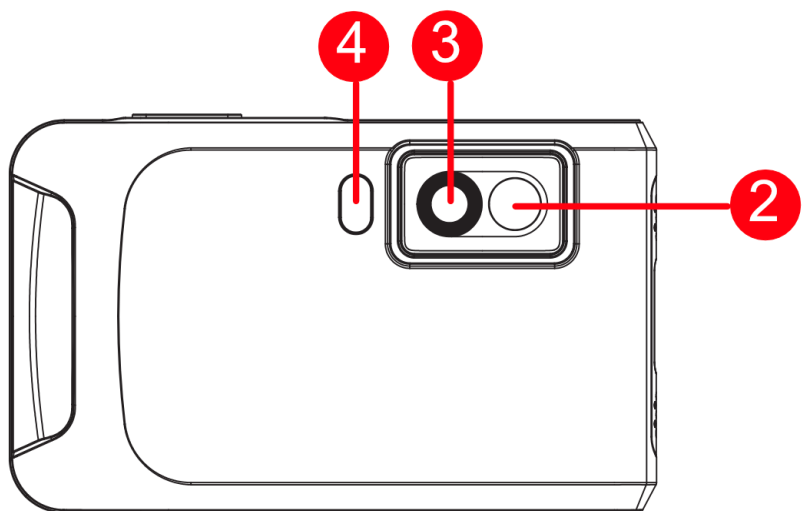
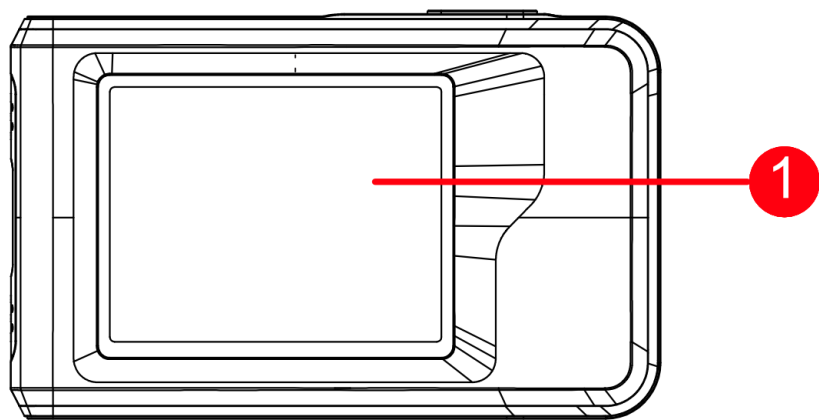
## Hätä

- Jos laitteesta erittyy savua tai hajua tai laite pitää ääntä, kytke laitteen virta pois päältä, irrota virtajohto ja ota yhteyttä palvelukeskukseen.

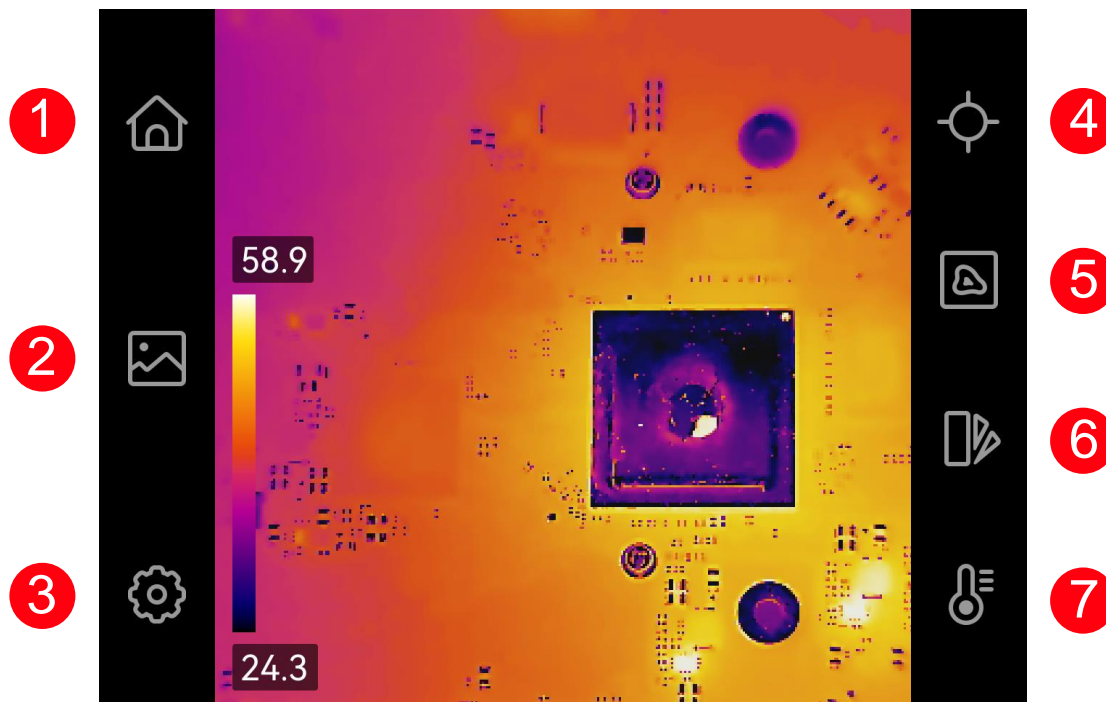
## Valmistajan osoite

Huone 313, yksikkö B, rakennus 2, 399 Danfeng-tie, Xixing-alapiirikunta, Binjiang-piirikunta, Hangzhou, Zhejiang 310052, Kiina  
Hangzhou Microimage Software Co., Ltd.

VAATIMUSTENMUKAISUUSILMOITUS: Lämpöteknologiatuotteisiin saattaa kohdistua vientivalvontaa eri maissa tai alueilla, mukaan lukien rajoituksetta Yhdysvallat, Euroopan unioni, Yhdistynyt kuningaskunta ja/tai muut Wassenaarin järjestelyn jäsenmaat. Neuvottele oikeudellisen asiantuntijan tai vaatimustenmukaisuusasiantuntijan tai paikallisen viranomaisen kanssa saadaksesi tietoja vientilupavaatimuksista, jos aiot siirtää, viedä tai jälleenviedä lämpöteknologiatuotteita eri maihin.



Nr	Beskrivning	Funktion
1	Pekbar styrskärm	Visar bild och styr enheten med pekstyrning.
2	Visuell lins	Visar den optiska bilden.
3	Värmeobjektiv	Visar den termiska bilden.
4	Ficklampa	Utfyllnadsljus på objekt samt avger blinkande larm.
5	Strömknapp	Håll in för att slå på/stänga av enheten.
6	Knapp för att ta bild	Tryck för att ta bilder. Håll in för att börja spela in video och tryck igen för att stoppa.
7	Fästpunkt för rem	Montera handledsremmen.
8	Fäste för stativ	För att fästa stativet.
9	Laddningsindikering	Indikerar enhetens laddningsstatus. <ul style="list-style-type: none"> <li>● Lyser rött: normal laddning</li> <li>● Blinkar rött: laddningsfel</li> <li>● Lyser grönt: fulladdad</li> </ul>
10	Gränssnitt av typ-C	Ladda enheten eller exportera filer med typ C-kabel.
11	Mikrofon	Spelar in ljud.



Nr	Beskrivning	Funktion
1	Hem	Tryck för att återvända till realtidsvisning.
2	Album	Gå till album för att visa tagna bilder och videor.
3	Inställningar	Justerar enhetens lokala inställningar.
4	Mätning	Slår på/stänger av mätningsverktyg.
5	Bildvisningsläge	Växlar läget för realtidsvisning mellan termiskt, visuellt, blandat osv.
6	Paletter	Växlar färgpaletten för termiska bilder.
7	Nivå och omfång	Justerar temperaturområdet för visning av termiska bilder.



## Temperaturmätning

Med den inbyggda högkänsliga IR-detektorn och högprestandasensorn är temperaturmätområdet -20 °C till 350 °C. Noggrannheten vid temperaturmätning är  $\pm 2$  °C eller 2 % när omgivningstemperaturen är 15 °C till 35 °C och objektets temperatur överstiger 0 °C.

## Svep ned-menyn

Ljusstyrkan kan justeras i svep ned-menyn och funktioner som Wi-Fi, surfpunkt, skärmsändning, ficklampa och mörkt/ljust läge kan aktiveras.

## Anslutning till klientprogram

Du kan spela upp i realtid, ta stillbilder och spela in videor via HIKMICRO Viewer-appen på din telefon. Skanna QR-koden på höljet för att hämta appen.

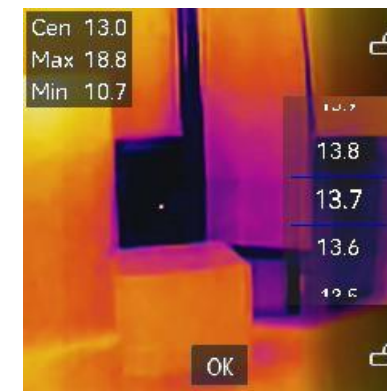
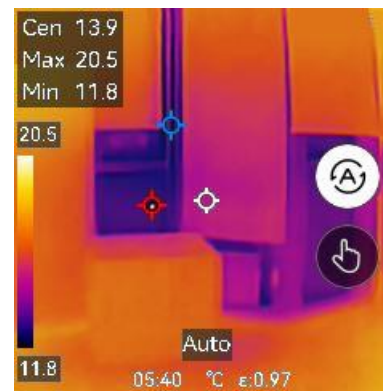
Du kan hämta HIKMICRO Analyzer

(<https://www.hikmicrotech.com/en/industrial-products/hikmicro-analyzer-software.html>) för att analysera bilder offline på ett professionellt sätt och skapa en rapport i anpassat format på din dator.

## Bildjustering

Nivå och omfång kan justeras manuellt eller automatiskt för att uppnå en bra termisk effekt för bättre analys av skillnader i temperatur.

I automatiskt läge justerar enheten visat temperaturområde automatiskt. I manuellt läge, tryck på ett område på skärmen som intresserar dig och rulla på temperaturhjulet för att justera temperaturområdet att visa.



**Obs!** Kameran utför regelbundet en självkalibrering för att optimera bildkvaliteten och mätnoggrannheten. Under denna process pausas bilden kortvarigt och du hör ett klick när en slutare rör sig framför detektorn. Meddelandet "Kalibrerar ..." visas i övre mitten av skärmen medan enheten självkalibreras. Självkalibreringen sker oftare vid start eller i mycket kalla eller varma miljöer. Detta är en normal del av driften för att säkerställa optimala prestanda för kameran.

## Bruksanvisning

För detaljerad vägledning för handhavandet, skanna QR-koden för att hämta bruksanvisningen.



## Juridisk information

### JURIDISK FRISKRIVNING

BRUKSANVISNINGEN OCH DEN PRODUKT SOM BESKRIVS, MED DESS HÅRDVARA, MJUKVARA OCH FASTA PROGRAMVARA TILLHANDAHÅLLES "I BEFINTLIGT SKICK" OCH "MED ALLA FEL OCH BRISTER" SÅ LÅNGT DETTA ÄR TILLÅTET ENLIGT TILLÄMPLIG LAGSTIFTNING. HIKMICRO UTFÄRDAR INGA GARANTIER, VARKEN UTTRYCKLIGA ELLER UNDERFÖRSTÅDDA, INKLUSIVE UTAN BEGRÄNSNING, FÖR SÄLJBARHET, TILLFREDSSTÄLLANDE KVALITET ELLER LÄMPLIGHET FÖR ETT VISST ÄNDAMÅL. ANVÄNDNING AV PRODUKTEN SKER HELT PÅ EGEN RISK. DU SKA INTE UNDER NÅGRA OMSTÄNDIGHETER HÅLLA HIKMICRO ANSVARIGT FÖR EVENTUELLA SÄRSKILDA SKADOR, FÖLJDSKADOR, OAVSIKTLIGA SKADOR ELLER INDIREKTA SKADOR, INKLUSIVE BLAND ANNAT SKADESTÅND FÖR FÖRLORAD AFFÄRSVINST, VERKSAMHETSSTÖRNING, FÖRLUST AV DATA ELLER DOKUMENTATION, OAVSETT OM DETTA BASERAS PÅ AVTALSBROTT, ÅTALBAR HANDLING (INKLUSIVE FÖRSUMLIGHET), PRODUKTANSVAR ELLER ANNAT I SAMBAND MED ANVÄNDNINGEN AV PRODUKTEN, ÄVEN OM HIKMICRO HAR MEDDELATS ATT RISKEN FÖR SÅDANA SKADOR ELLER FÖRLUSTER FÖRELIGGER.

DU BEKRÄFTAR ATT INTERNETS NATUR INNEBÄR INBYGGDA SÄKERHETSRIKSKER OCH HIKMICRO TAR INGET ANSVAR FÖR ONORMAL ANVÄNDNING, INTEGRITETSLÄCKOR ELLER ANDRA SKADOR SOM ORSAKAS AV CYBERATTACKER, HACKERATTACKER, VIRUSANGREPP ELLER ANDRA

SÄKERHETSRIKSKER MED INTERNET. HIKMICRO KOMMER DOCK ATT TILLHANDAHÅLLA LÄMPLIG TEKNISK SUPPORT OM SÅ KRÄVS. DU ACCEPTERAR ATT ANVÄNDA PRODUKTEN I ENLIGHET MED ALLA TILLÄMPLIGA LAGAR OCH DU ÄR ENSAMT ANSVARIG FÖR ATT SÄKERSTÄLLA ATT DIN ANVÄNDNING EFTERLEVER TILLÄMPLIGA LAGAR. DU ÄR I SYNNERHET ANSVARIG FÖR ATT ANVÄNDA PRODUKTEN PÅ ETT SÅDANT SÄTT ATT DEN INTE INKRÄKTAR PÅ NÅGRA RÄTTIGHETER SOM ÄGS AV TREDJE PART, INKLUSIVE UTAN BEGRÄNSNING, RÄTTEN TILL PUBLICERING, IMMATERIELLA RÄTTIGHETER, SAMT DATASKYDD OCH ANDRA INTEGRITETS RÄTTIGHETER. DU FÅR INTE ANVÄNDA PRODUKTEN FÖR NÅGRA FÖRBJUDNA SLUTANVÄNDNINGAR, INKLUSIVE UTVECKLING ELLER PRODUKTION AV MASSFÖRSTÖRELSEVAPEN, UTVECKLING ELLER PRODUKTION AV KEMISKA ELLER BIOLOGISKA STRIDSMEDEL, ELLER NÅGRA AKTIVITETER SOM ÄR RELATERADE TILL NUKLEÄRA SPRÄNGMEDEL ELLER OSÄKRA NUKLEÄRA BRÄNSLECYKLER, ELLER SOM STÖD FÖR ÖVERGREPP AV MÄNSKLIGA RÄTTIGHETER.

I DE FALL INNEHÅLLET I BRUKSANVISNINGEN STÅR I KONFLIKT MED TILLÄMPLIGA LAGAR, GÄLLER DE SISTNÄMNDNA.



### Föreskrifter

---

**Dessa villkor gäller endast för de produkter som räknar med motsvarande märke eller information.**

---

### Meddelande om EU-överensstämmelse/överensstämmelse med regler i Storbritannien

  Produkten och – i förekommande fall – levererade tillbehör är CE-märkta och överensstämmer därför med de gällande harmoniserade europeiska standarder som finns angivna i EMCD-direktivet 2014/30/EU, lågspänningsdirektivet 2014/35/EU, RoHS-direktivet 2011/65/EU och direktiv 2014/53/EU.

### Frekvensband och effekt (för CE/Storbritannien)

Dessa nominella gränsvärden för frekvensband och överföringseffekt (utstrålad och/eller ledningsburen) gäller för följande radioutrustning:

**Wi-Fi:** 2,4 GHz (2,4 GHz till 2,4835 GHz): 20 dBm

Använd strömadaptern som tillhandahålls av en behörig tillverkare för enheter utan bifogad strömadapter. Se produktens specifikation för detaljerade strömförsörjningskrav.

Använd det batteri som tillhandahålls av en godkänd tillverkare, för enheten utan ett medföljande batteri. Se produktens specifikation för detaljerade krav på batteriet.



Direktiv 2012/19/EU (WEEE-direktivet): Produkter märkta med denna symbol får inte avfallshanteras som osorterat hushållsavfall inom EU. Produkten ska återlämnas till din lokala återförsäljare för korrekt återvinning, vid inköp av motsvarande ny utrustning, eller lämnas in på en särskild återvinningsstation. Mer information finns på: [www.recyclethis.info](http://www.recyclethis.info).



Direktiv 2006/66/EG och dess tillägg 2013/56/EU (batteridirektivet): Produkten innehåller ett batteri som inte får avfallshanteras som osorterat hushållsavfall inom EU. Se produktens dokumentation för specifik information om batteriet. Batteriet är märkt med denna symbol, som kan innehålla bokstäver för att indikera kadmium (Cd), bly (Pb) eller kvicksilver (Hg). Batteriet ska återlämnas till din återförsäljare eller lämnas in på en särskild återvinningsstation för korrekt återvinning. Mer information finns på: [www.recyclethis.info](http://www.recyclethis.info).

### Säkerhetsanvisningar

Anvisningarna är avsedda att säkerställa att användaren kan använda produkten på korrekt sätt för att undvika fara eller förlust av egendom.

### Lagar och bestämmelser

- Användningen av produkten måste följa lokala bestämmelser rörande elsäkerhet.

### Transport

- Förvara enheten i ursprungsförpackningen eller en liknande förpackning vid transport.
- Behåll allt förpackningsmaterial efter upppackningen för framtida bruk. Vid eventuella fel måste du returnera enheten till fabriken med det ursprungliga förpackningsmaterialet. Transport utan det ursprungliga förpackningsmaterialet kan medföra att enheten skadas och företaget åtar sig inget ansvar för detta.
- Undvik att tappa produkten och utsätt den inte för fysiska stötar. Håll enheten på avstånd från magnetiska störningar.

### Strömförsörjning

- Ingångsspänningen ska uppfylla kraven för en begränsad strömkälla (3,85 V DC, 570 mA) enligt standarden IEC61010-1. Se de tekniska specifikationerna för detaljerad information.
- Kontrollera att kontakten är korrekt ansluten till eluttaget.
- För att undvika överhettning och brandfara orsakad av överbelastning får du INTE ansluta flera enheter till en och samma strömadapter.
- Använd strömadaptern som tillhandahålls av en behörig tillverkare. Se produktens specifikation för detaljerade strömförsörjningskrav.

### Batteri

- Ladda enheten i tre timmar innan första användning.
- Felaktig användning eller felaktigt byte av batteri kan leda till explosionsrisk. Batterierna måste ersättas med likadana eller likvärdiga batterier. Avfallshandera förbrukade batterier i enlighet med anvisningarna från batteritillverkaren.
- Det inbyggda batteriet kan inte tas bort. Kontakta tillverkaren för reparation om så behövs.
- Säkerställ vid långtidsförvaring av batteriet att det laddas upp helt en gång i halvåret så att batteriets kvalitet bevaras. Annars kan skador uppstå.
- Använd batteriet som tillhandahålls av en behörig tillverkare. Se produktens specifikation för detaljerade krav på batteriet.
- Batteriet får INTE placeras i närheten av en värmekälla eller en öppen eld. Undvik direkt solljus.
- Batteriet får INTE sväljas då detta kan orsaka kemiska brännskador.
- Batteriet får INTE placeras inom räckhåll för barn.
- När enheten är avstängd och RTC-batteriet fulladdat, lagras tidsinställningarna i sex månader.
- Vid den första användningen, ladda enheten under minst 2,5 timmar i avstängt läge.
- Batteriets spänning är 3,85 V och batterikapaciteten är 2100 mAh.
- Batteriet är certifierat enligt UL2054.

### Underhåll

- Kontakta din återförsäljare eller närmaste servicecenter, om produkten inte fungerar som den ska. Vi åtar oss inget ansvar för problem som orsakats av obehörig reparation eller obehörigt underhåll.
- Vissa enhetskomponenter (t.ex. elektrolytkondensatorer) måste bytas ut regelbundet. Den genomsnittliga livslängden varierar, så regelbundna kontroller rekommenderas. Kontakta din återförsäljare för mer

information.

- Torka försiktigt av enheten med en ren trasa och en liten mängd etanol, vid behov.
- Om utrustningen används på ett sätt som inte anges av tillverkaren kan det skydd som ges av enheten försämrast.

#### **Kalibreringstjänst**

- Vi rekommenderar att du skickar tillbaka enheten för kalibrering en gång om året, och kontaktar din lokala återförsäljare för information om underhållspunkter. För mer information om kalibreringstjänster, se <https://www.hikmicrotech.com/en/support/calibration-service.html>.

#### **Användningsmiljö**

- Enheten får INTE utsättas för extremt varma, kalla, frätande, salthaltiga alkaliska eller fuktiga miljöer. Se till att användningsmiljön motsvarar enhetens krav. Drifttemperaturen bör vara -10 °C till 50 °C, och luftfuktigheten mindre än 95 %.
- Placera enheten i en torr miljö med god ventilation.
- Enheten FÅR INTE utsättas för kraftig elektromagnetisk strålning eller dammiga miljöer.
- Objektivet får INTE riktas mot solen eller andra starka ljuskällor.
- Om någon laserutrustning används, måste du se till att enhetens objektivet inte exponeras för laserstrålen, då detta kan medföra att objektivet bränns sönder.
- Enheten är lämplig för inom- och utomhusbruk, men får inte utsättas för våta miljöer.

- Skyddsklassificeringen är IP 54.
- Föroreningsgraden är 2.

#### **Teknisk support**

- Portalen på <https://www.hikmicrotech.com/en/contact-us.html> hjälper dig som HIKMICRO-kund att få ut mesta möjliga från dina HIKMICRO-produkter. Portalen ger dig tillgång till vårt supportteam, program och dokumentation, serviceavtal etc.

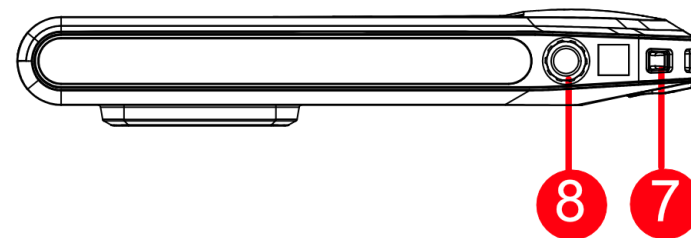
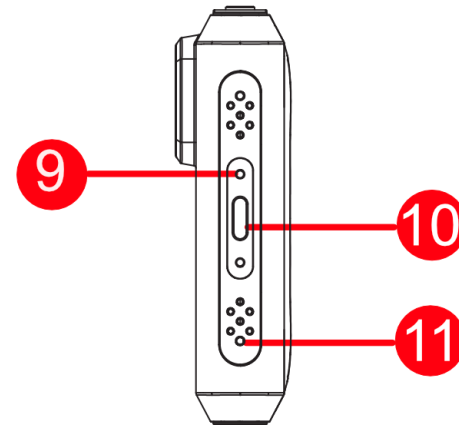
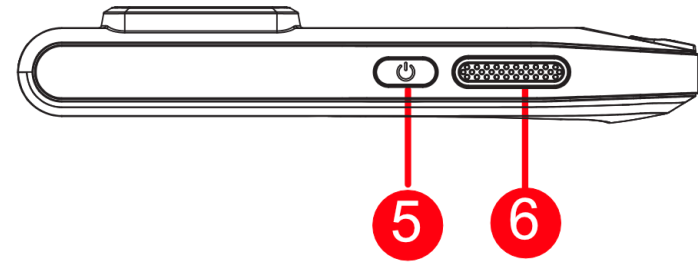
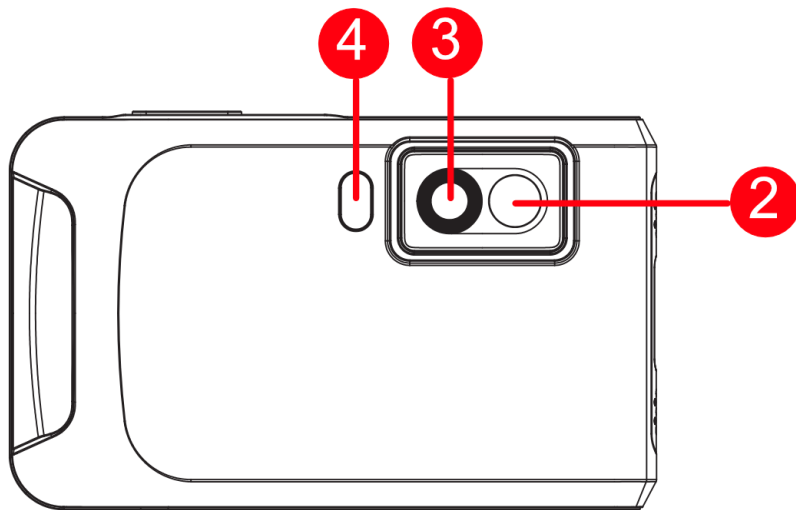
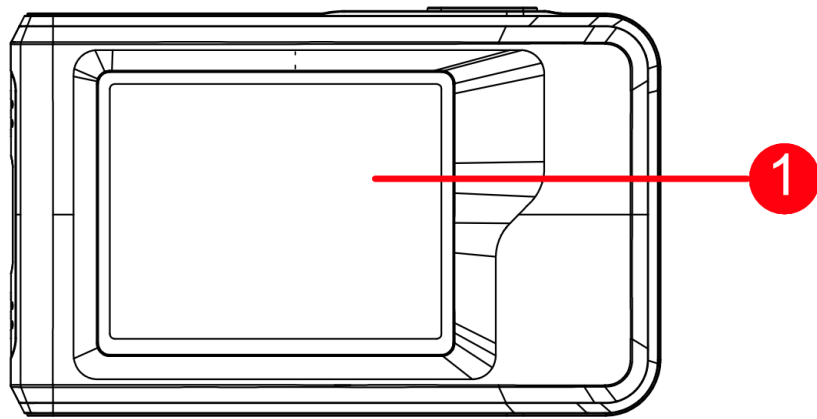
#### **Nödfall**

- Om det kommer rök, lukt eller oljud från enheten, stäng omedelbart av strömmen, koppla från strömkabeln och kontakta servicecentret.

#### **Tillverkarens adress**

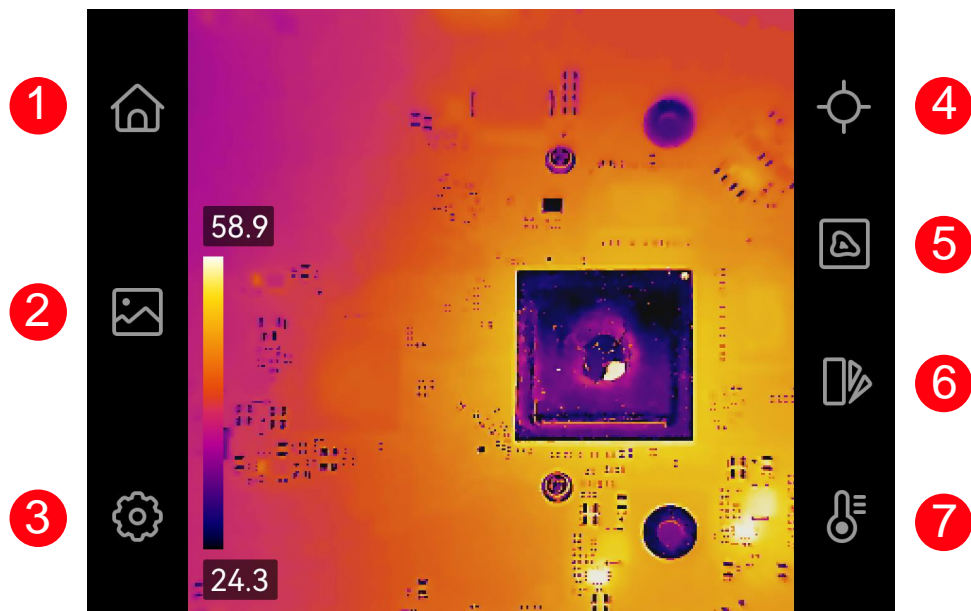
Rum 313, Enhet B, Byggnad 2, 399 Danfengvägen, Underdistriktet Xixing, Distriktet Binjiang, Hangzhou, Zhejiang 310052, Kina  
Hangzhou Microimage Software Co., Ltd.

**FÖRSÄKRAN OM ÖVERENSSTÄMMELSE:** Produkter i den termiska serien kan vara föremål för exportkontroller i olika länder eller regioner, inklusive utan begränsning, USA, Europeiska unionen, Storbritannien och/eller andra länder som skrivit under Wassenaar-avtalet. Rådgör med en professionell juridisk konsult, en expert på regelefterlevnad eller lokala myndigheter avseende krav på exportlicenser om du har för avsikt att överföra, exportera eller vidareexportera produkter i den termiska serien mellan olika länder.



№	Описание	Функционирование
1	Экран с сенсорным управлением	Просмотр изображения и сенсорное управление устройством.
2	Оптический объектив	Просмотр оптического изображения.
3	Тепловизионный объектив	Просмотр тепловизионного изображения.
4	Вспышка	Узконаправленное освещение объектов и подача светового сигнала тревоги.
5	Кнопка питания	Нажмите и удерживайте, чтобы включить/выключить устройство.
6	Кнопка съемки	Нажмите, чтобы сделать снимок. Удерживайте, чтобы начать запись видео, и нажмите повторно, чтобы остановить запись.
7	Точка крепления ремня	Фиксация кистевого ремня.
8	Крепление штатива	Для крепления штатива.
9	Индикатор зарядки	Показывает состояние зарядки устройства. <ul style="list-style-type: none"> <li>● Постоянный красный свет: устройство заряжается</li> <li>● Мигающий красный свет: устройство не заряжается</li> <li>● Постоянный зеленый свет: устройство полностью заряжено</li> </ul>
10	Интерфейс Type-C	Заряжает устройство или экспортирует файлы с кабеля типа C.
11	Микрофон	Запись аудио.





№	Описание	Функционирование
1	Главная страница	Коснитесь экрана, чтобы вернуться в режим просмотра в реальном времени.
2	Альбомы	Войдите в альбомы для просмотра сделанных снимков и записанных видео.
3	Настройки	Задайте локальные настройки устройства.

4	Измерения	Включайте/отключайте средства измерения.
5	Режим показа изображения	Переключайтесь в режим показа изображения в реальном времени из тепловизионного, оптического, комбинированного и др.
6	палитры	Переключайте цветовые палитры тепловизионного изображения.
7	Уровень и диапазон	Регулируйте диапазон температур тепловизионного дисплея.

### Измерение температуры

Благодаря встроенному чувствительному ИК-детектору и высокоэффективному датчику измерение температур осуществляется в диапазоне от -20 °С до 350 °С с точностью  $\pm 2$  °С или 2%, если температура окружающей среды составляет от 15 °С до 35 °С, а температура объекта выше 0 °С.

**Меню, раскрывающееся движением пальца вниз по**

## экрану

В раскрывающемся меню можно регулировать яркость и включать такие функции, как Wi-Fi, точка доступа, трансляция экрана, фонарь и темный/светлый режим.

## Подключение к клиентскому ПО

С помощью приложения HIKMICRO Viewer можно просматривать изображение в реальном времени, делать снимки и записывать видео на телефоне. Отсканируйте QR-коды на корпусе, чтобы скачать приложение.

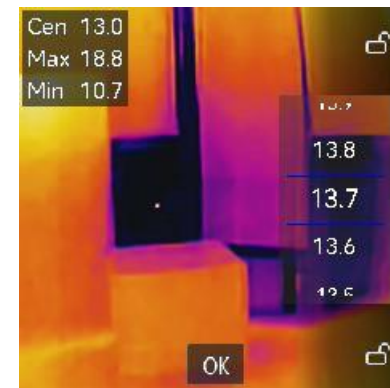
Вы можете скачать HIKMICRO Analyzer (<https://www.hikmicrotech.com/en/industrial-products/hikmicro-analyzer-software.html>) для профессионального автономного анализа изображений и генерации настраиваемых отчетов на ПК.

## Настройка изображения

Уровень и диапазон можно настроить вручную или автоматически, чтобы обеспечить качественный термический эффект и повысить эффективность анализа разницы температур.

В автоматическом режиме устройство автоматически изменяет диапазон отображаемых

температур. В ручном режиме можно коснуться интересующей области экрана и отрегулировать диапазон отображаемых температур с помощью колеса.



**Примечание:** Камера будет периодически осуществлять самокалибровку для оптимизации качества изображения и точности измерения. При этом изображение на короткое время приостановится, и вы услышите «щелчок» при перемещении заслонки перед датчиком. Во время самостоятельной калибровки устройства в верхней центральной части окна отображается надпись «Выполняется калибровка...». Самокалибровка осуществляется чаще при вводе в эксплуатацию или в условиях очень низких или высоких температур. Это нормальная операция, обеспечивающая оптимальную эффективность камеры.

## Руководство пользователя

Для получения подробных инструкций отсканируйте QR-код и загрузите руководство пользователя.



## Нормативно-правовая информация

### ЗАЯВЛЕНИЕ ОБ ОГРАНИЧЕНИИ ОТВЕТСТВЕННОСТИ

В МАКСИМАЛЬНОЙ СТЕПЕНИ, РАЗРЕШЕННОЙ ДЕЙСТВУЮЩИМ ЗАКОНОДАТЕЛЬСТВОМ, ДАННОЕ РУКОВОДСТВО И ОПИСАНИЕ ИЗДЕЛИЯ ВМЕСТЕ С АППАРАТНОЙ ЧАСТЬЮ, ПРОГРАММНЫМ ОБЕСПЕЧЕНИЕМ И ВСТРОЕННОЙ МИКРОПРОГРАММОЙ ПРЕДОСТАВЛЯЕТСЯ ПО ПРИНЦИПУ «КАК ЕСТЬ» И «СО ВСЕМИ НЕПОЛАДКАМИ И ОШИБКАМИ». НІКМІСRO НЕ ДАЕТ НИКАКИХ ЯВНЫХ ИЛИ ПОДРАЗУМЕВАЕМЫХ ГАРАНТИЙ, В ТОМ ЧИСЛЕ ГАРАНТИЙ ТОВАРНОЙ ПРИГОДНОСТИ, УДОВЛЕТВОРИТЕЛЬНОГО КАЧЕСТВА ИЛИ ПРИГОДНОСТИ ДЛЯ КОНКРЕТНЫХ ЦЕЛЕЙ. ПОТРЕБИТЕЛЬ ИСПОЛЬЗУЕТ ИЗДЕЛИЕ НА СВОЙ СТРАХ И РИСК. НИ ПРИ КАКИХ ОБСТОЯТЕЛЬСТВАХ КОМПАНИЯ НІКМІСRO НЕ НЕСЕТ ОТВЕТСТВЕННОСТИ ПЕРЕД ПОТРЕБИТЕЛЕМ ЗА КАКОЙ-ЛИБО СЛУЧАЙНЫЙ ИЛИ КОСВЕННЫЙ УЩЕРБ, ВКЛЮЧАЯ, СРЕДИ ПРОЧЕГО, УБЫТКИ ИЗ-ЗА ПОТЕРИ ПРИБЫЛИ, ПЕРЕРЫВОВ В ДЕЯТЕЛЬНОСТИ, ПОТЕРИ ДАННЫХ ИЛИ ДОКУМЕНТАЦИИ, ПОВРЕЖДЕНИЯ СИСТЕМ, БУДЬ ТО ПО ПРИЧИНЕ НАРУШЕНИЯ ДОГОВОРА, ПРОТИВОПРАВНЫХ ДЕЙСТВИЙ (В ТОМ ЧИСЛЕ ХАЛАТНОСТИ), УЩЕРБА ВСЛЕДСТВИЕ ИСПОЛЬЗОВАНИЯ ИЗДЕЛИЯ ИЛИ ИНОГО В СВЯЗИ С ИСПОЛЬЗОВАНИЕМ ДАННОГО ИЗДЕЛИЯ, ДАЖЕ ЕСЛИ КОМПАНИИ НІКМІСRO БЫЛО ИЗВЕСТНО О ВОЗМОЖНОСТИ ТАКОГО УЩЕРБА. ПОТРЕБИТЕЛЬ ОСОЗНАЕТ, ЧТО ИНТЕРНЕТ ПО СВОЕЙ ПРИРОДЕ ЯВЛЯЕТСЯ ИСТОЧНИКОМ ПОВЫШЕННОГО РИСКА БЕЗОПАСНОСТИ И КОМПАНИЯ НІКМІСRO НЕ НЕСЕТ ОТВЕТСТВЕННОСТИ ЗА СБОИ В РАБОТЕ ОБОРУДОВАНИЯ, УТЕЧКУ ИНФОРМАЦИИ И ДРУГОЙ УЩЕРБ, ВЫЗВАННЫЙ КИБЕРАТАКАМИ, ХАКЕРАМИ, ВИРУСАМИ ИЛИ СЕТЕВЫМИ УГРОЗАМИ; ОДНАКО НАША КОМПАНИЯ ОБЕСПЕЧИВАЕТ

СВОЕВРЕМЕННУЮ ТЕХНИЧЕСКУЮ ПОДДЕРЖКУ, ЕСЛИ ЭТО НЕОБХОДИМО.

ПОТРЕБИТЕЛЬ СОГЛАШАЕТСЯ ИСПОЛЬЗОВАТЬ ДАННОЕ ИЗДЕЛИЕ В СООТВЕТСТВИИ СО ВСЕМИ ПРИМЕНИМЫМИ ЗАКОНАМИ И НЕСЕТ ЛИЧНУЮ ОТВЕТСТВЕННОСТЬ ЗА ИХ СОБЛЮДЕНИЕ. ПРИ ИСПОЛЬЗОВАНИИ ИЗДЕЛИЯ ПОТРЕБИТЕЛЬ НЕСЕТ ОТВЕТСТВЕННОСТЬ ЗА СОБЛЮДЕНИЕ ПРАВ ТРЕТЬИХ СТОРОН, В ТОМ ЧИСЛЕ ПРАВ НА ПУБЛИЧНОСТЬ, ИНТЕЛЛЕКТУАЛЬНУЮ СОБСТВЕННОСТЬ, ЗАЩИТУ ДАННЫХ И ИНЫХ ПРАВ НА НЕПРИКОСНОВЕННОСТЬ ЧАСТНОЙ ЖИЗНИ. ПОТРЕБИТЕЛЬ ОБЯЗУЕТСЯ НЕ ИСПОЛЬЗОВАТЬ ЭТО ИЗДЕЛИЕ В ЗАПРЕЩЕННЫХ ЦЕЛЯХ, В ТОМ ЧИСЛЕ ДЛЯ РАЗРАБОТКИ ИЛИ ПРОИЗВОДСТВА ОРУЖИЯ МАССОВОГО УНИЧТОЖЕНИЯ, ХИМИЧЕСКОГО ИЛИ БИОЛОГИЧЕСКОГО ОРУЖИЯ, ОСУЩЕСТВЛЕНИЯ КАКОЙ-ЛИБО ДЕЯТЕЛЬНОСТИ В КОНТЕКСТЕ ЯДЕРНОГО ОРУЖИЯ, НЕБЕЗОПАСНЫХ ОПЕРАЦИЙ С ЯДЕРНЫМ ТОПЛИВОМ ИЛИ ДЛЯ ПОДДЕРЖКИ НАРУШЕНИЙ ПРАВ ЧЕЛОВЕКА. ПРИ НАЛИЧИИ ПРОТИВОРЕЧИЙ МЕЖДУ НАСТОЯЩИМ РУКОВОДСТВОМ И ПРИМЕНИМЫМ ЗАКОНОДАТЕЛЬСТВОМ ПОСЛЕДНЕЕ ИМЕЕТ ПРИОРИТЕТ.

### Нормативная информация

---

**Данные положения применяются только в том случае, если изделие снабжено соответствующей отметкой или информацией.**

---

### Декларация соответствия стандартам EU/Великобритании

**CE** Настоящее изделие и, если применимо, его комплектные принадлежности имеют маркировку "CE" о соответствии применимым гармонизированным европейским стандартам, которые указаны в Директивах 2014/30/EU (EMCD), 2014/35/EU (LVD), 2011/65/EU (RoHS) и 2014/53/EU.

### Частотные полосы и мощность (для CE/Великобритании)

Радиоустройства имеют следующие номинальные пределы частотных полос и мощности передачи (излучаемой и/или проходной):

**Wi-Fi:** 2,4 ГГц (2,4 — 2,4835 ГГц): 20 дБм

Если устройство не укомплектовано адаптером питания, используйте адаптер питания разрешенного изготовителя. Требования по

электропитанию подробно описаны в технических характеристиках изделия.

Если устройство не укомплектовано батареей, используйте батарею разрешенного изготовителя. Требования к батарее подробно описаны в технических характеристиках изделия.



Директива 2012/19/EU (Директива WEEE): На территории ЕС запрещается утилизировать изделия с этой маркировкой как несортируемые бытовые отходы. Для надлежащей переработки следует передать это изделие местному поставщику после приобретения аналогичного нового оборудования либо доставить изделие в надлежащий пункт сбора отходов. Для получения дополнительной информации посетите веб-сайт [www.recyclethis.info](http://www.recyclethis.info).



Директива 2006/66/ЕС и ее дополнение 2013/56/EU (Директива о батареях): Настоящее изделие включает в себя батарею, которую запрещается утилизировать как несортируемые бытовые отходы. Информацию о конкретной батарее см. в документации изделия. Маркировка батареи может включать в себя символы, которые обозначают ее химический состав: кадмий (Cd), свинец (Pb) или ртуть (Hg). Для надлежащей утилизации отправьте батарею местному поставщику или утилизируйте ее в специальных пунктах приема отходов. Для получения дополнительной информации посетите веб-сайт [www.recyclethis.info](http://www.recyclethis.info).

### Инструкция по технике безопасности

Настоящие инструкции предназначены для того, чтобы пользователь мог правильно использовать устройство, чтобы избежать опасности или потери имущества.

### Законодательные акты и нормативные документы

- Эксплуатация данного изделия должна выполняться в строгом соответствии с местными правилами безопасной эксплуатации электрооборудования.

### Транспортировка

- Используйте оригинальную или схожую упаковку для транспортировки устройства.
- После распаковки сохраните упаковочные материалы для дальнейшего использования. В случае неисправности вам потребуется вернуть устройство на завод в оригинальной упаковке. Транспортировка без оригинальной упаковки может привести к

повреждению устройства, и компания не будет нести за это ответственности.

- Не роняйте и не ударяйте устройство. Устройство необходимо размещать вдали от источников электромагнитных помех.

### Электропитание

- Входное напряжение должно соответствовать ограниченному источнику питания (3,85 В пост. тока, 570 мА) в соответствии со стандартом IEC61010-1. Подробная информация приведена в таблице технических данных.
- Убедитесь, что вилка правильно подключена к розетке электропитания.
- Во избежание перегрева или возгорания из-за перегрузки ЗАПРЕЩАЕТСЯ подключать несколько устройств к одному адаптеру питания.
- Используйте адаптер питания, предоставленный сертифицированным изготовителем. Требования по электропитанию подробно описаны в технических характеристиках изделия.

### Батарея

- Перед первым использованием устройства зарядите его в течение 3 часов.
- Использование или замена батареи с нарушением инструкций может привести к взрыву. Для замены используйте только такие же или аналогичные батареи. Утилизируйте использованные батареи согласно инструкциям, предоставленным производителем батарей.
- Встроенная батарея не подлежит разборке. В случае необходимости ремонта обратитесь к производителю.
- При длительном хранении батареи полностью заряжайте ее каждые полгода, чтобы обеспечить ее работоспособность. В противном случае батарея может выйти из строя.
- Используйте батарею, поставляемую сертифицированным изготовителем. Требования к батарее подробно описаны в технических характеристиках изделия.
- Не размещайте батарею рядом с источниками тепла или огня. Не допускайте воздействия прямого солнечного света.
- Не проглатывайте батарею во избежание химических ожогов.
- Не размещайте батарею в местах, где ее могут взять дети.
- Когда батарея часов реального времени полностью заряжена, настройки времени на выключенном устройстве могут храниться 6 месяцев.



- При первом использовании зарядите устройство, не включая его, в течение более чем 2,5 часов.
- Напряжение батареи составляет 3,85 В, емкость 2100 мА-ч.
- Батарея сертифицирована по стандарту UL2054.

#### Техническое обслуживание

- Если изделие не работает должным образом, обратитесь к дилеру или к специалистам ближайшего сервисного центра. Компания-изготовитель не несет ответственности за неисправности, возникшие в результате несанкционированного ремонта или технического обслуживания.
- Некоторые компоненты устройства (например, электролитические конденсаторы) требуют регулярной замены. Средний срок службы этих компонентов может различаться, поэтому советуем периодически их проверять. Подробности уточняйте у продавца.
- При необходимости осторожно протрите устройство чистой салфеткой, смоченной небольшим количеством этилового спирта.
- Если оборудование используется способом, не указанным производителем, обеспечиваемая устройством безопасность может быть нарушена.

#### Услуги калибровки

- Рекомендуется ежегодно предоставлять устройство для калибровки. Информацию о пунктах технического обслуживания можно получить у местного дилера. Дополнительную информацию об услугах калибровки см. на веб-странице <https://www.hikmicrotech.com/en/support/calibration-service.html>

#### Требования к рабочей среде

- ЗАПРЕЩАЕТСЯ устанавливать устройство в условиях воздействия экстремально высоких или низких температур, пыли, коррозионных, солевых и щелочных веществ, а также во влажной среде. Убедитесь, что рабочая среда удовлетворяет требованиям надлежащей работы устройства. Рабочая температура должна быть в пределах от -10 °С до 50 °С, а рабочая влажность не должна превышать 95 %.
- Размещайте устройство в сухой и хорошо проветриваемой среде.
- ЗАПРЕЩАЕТСЯ устанавливать устройство в условиях воздействия

- сильного электромагнитного излучения или в пыльной среде.
- Не направляйте объектив устройства на солнце или другие яркие источники света.
- При использовании любого лазерного оборудования убедитесь, что в объектив устройства не попадает лазерный луч, иначе он может выгореть.
- Устройство предназначено для использования как в помещениях, так и на открытом воздухе, но при этом должно быть защищено от влаги.
- Класс защиты IP 54.
- Степень загрязнения 2.

#### Техническая поддержка

- Портал <https://www.hikmicrotech.com/en/contact-us.html> помогает клиентам максимально эффективно использовать изделия HIKMICRO. На этом портале можно обратиться в службу технической поддержки и получить доступ к программному обеспечению, документации, договорам на сервисное обслуживание и т. д.

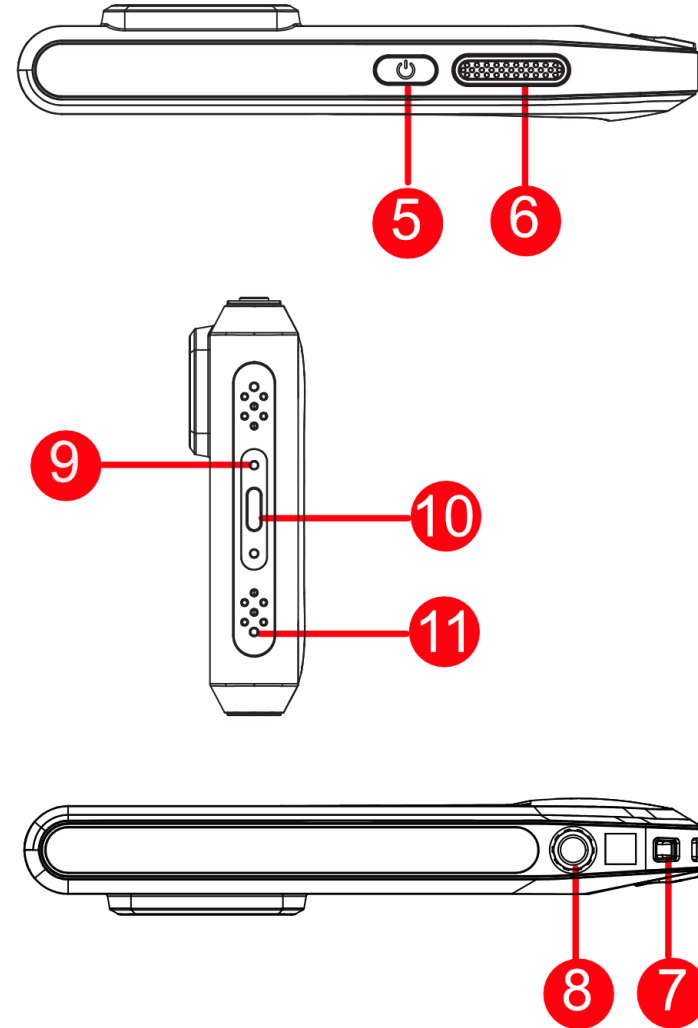
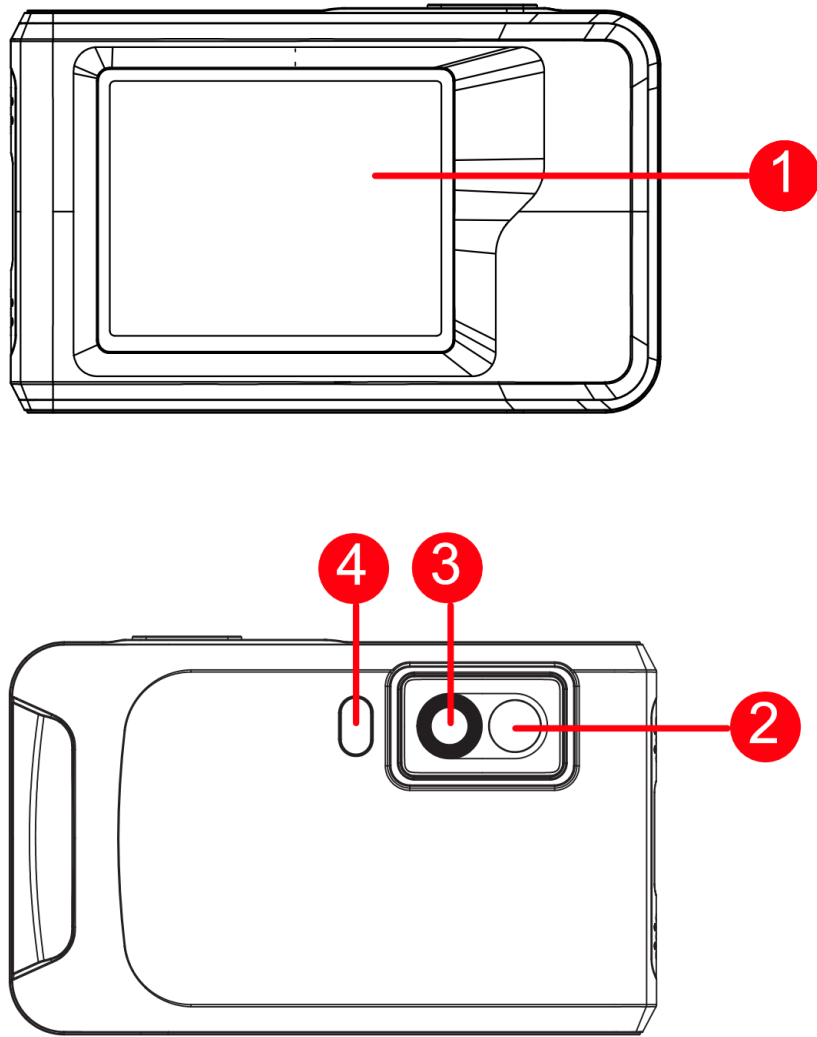
#### Кнопка подачи экстренного сигнала тревоги

- Если устройство испускает дым, неприятный запах или шум, незамедлительно отключите электропитание, извлеките шнур питания и обратитесь в сервисный центр.

#### Адрес производителя

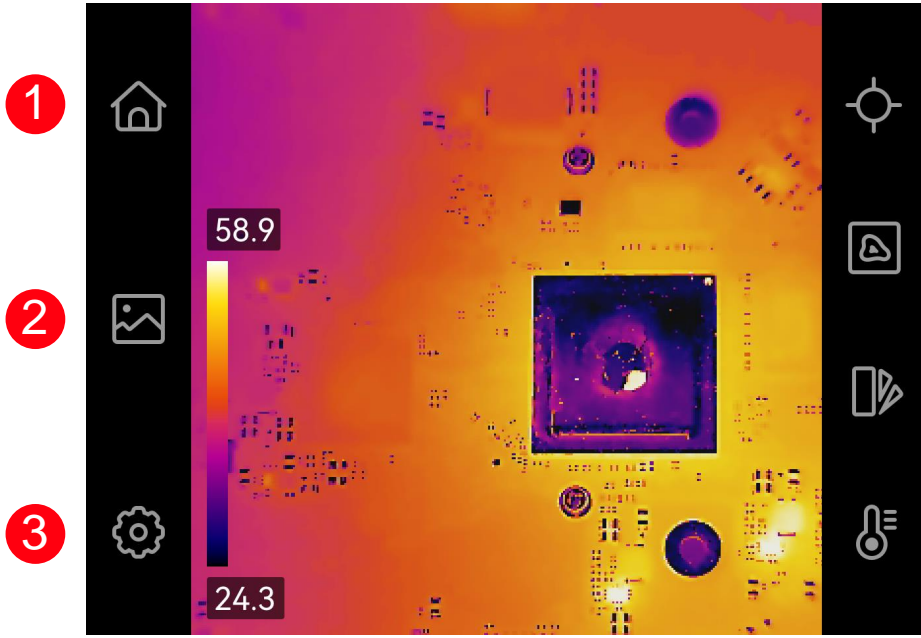
Комната 313, помещение «В», корпус 2, 399 Danfeng Road, район Xixing, округ Binjiang, Hangzhou, Zhejiang 310052, Китай  
Компания Hangzhou Microimage Software Co., Ltd.

УВЕДОМЛЕНИЕ О СООТВЕТСТВИИ: В различных странах и регионах, включая США, ЕС, Великобританию и/или другие страны, подписавшие Вассенарские соглашения, на тепловизионные устройства могут распространяться правила экспортного контроля. При необходимости транспортировки между странами, экспорта или реэкспорта тепловизионных устройств обратитесь к юристу, специалисту по соблюдению нормативно-правового соответствия или местным органам власти для получения информации о разрешении на экспорт.





No.	Açıklama	Fonksiyon
1	Dokunmatik Kontrollü Ekran	Görüntüyü gösterir ve cihazı, dokunmatik kontrol ile kullanmanızı sağlar.
2	Görsel Lens	Optik görüntüyü gösterir.
3	Termal Lens	Termal görüntüyü gösterir.
4	Flaş Işığı	Nesneleri aydınlatın ve yanıp sönen uyarı verin.
5	Güç Tuşu	Cihazı açmak/kapatmak için basılı tutun.
6	Yakalama Tuşu	Bir görüntü çekmek için basın. Video kaydetmek için basılı tutun ve durdurmak için tekrar basın.
7	Askı Bağlantı Noktası	Bilek askısını takın.
8	Tripod Montajı	Tripod'u kurun.
9	Şarj Göstergesi	Cihazın şarj durumunu belirtir. <ul style="list-style-type: none"><li>● Sabit kırmızı: normal şekilde şarj oluyor</li><li>● Yanıp sönen kırmızı: şarj özel durumu</li><li>● Sabit yeşil: tamamen şarj olmuş</li></ul>
10	Tip-C Arayüz	Cihazı şarj edin veya Type-C kabloyla dosyaları dışa aktarın.
11	Mikrofon	Sesi kaydeder.



Modu füzyon vb. modlarıyla değiştirin.

6 Paletler Termal görüntü renk paletlerini değiştirin.

7 Düzey ve Aralık Termal görüntü ekranı için sıcaklık aralığını ayarlayın.

### 6 Sıcaklık Ölçümü

Ortam sıcaklığı 15 °C ile 35 °C (59 °F ile 95 °F) arasında ve nesne sıcaklığı 0 °C (32 °F) üzerinde olduğunda dahili yüksek hassasiyetli IR dedektörü ve yüksek performanslı sensör ile sıcaklık ölçüm aralığı -20 °C ile 350 °C (-4 °F ile 662 °F) arasında ve sıcaklık ölçüm doğruluğu  $\pm 2$  °C ( $\pm 3,6$  °F) veya %2'dir.

### Aşağı Kaydırılan Menü

Aşağı kaydırılan menüde parlaklığı ayarlayabilir ve Wi-Fi, Etkin Nokta, Screen Cast, flaş ışığı ve Karanlık/Parlak Mod gibi işlevleri etkinleştirebilirsiniz.

### İstemci Yazılım Bağlantısı

Telefonunuzda HIKMICRO Viewer uygulaması aracılığıyla canlı görüntüyü izleyebilir, anlık görüntüler alabilir ve video kaydedebilirsiniz. Uygulamayı indirmek için kapaktaki QR kodunu tarayın.

Resimleri profesyonelce çevrim dışı analiz etmek ve

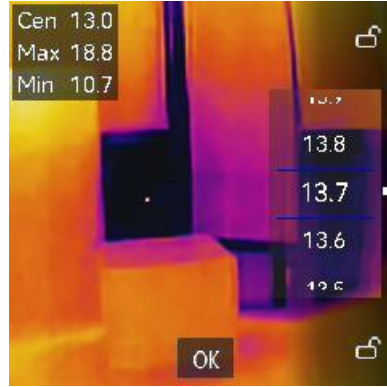
No.	Açıklama	Fonksiyon
1	Başlangıç	Canlı görüntüye dönmek için dokununuz.
2	Albümler	Çekilmiş resim veya videoları görmek için girin.
3	Ayarlar	Cihazın yerel ayarlarını ayarlar.
4	Ölçümler	Ölçüm araçlarını açın/kapatın.
5	Görüntü Görüntüleme	Canlı görüntü görüntüleme modunu termal, görsel,

bilgisayarınızda özel biçimli bir rapor oluşturmak için HIKMICRO Analyzer (<https://www.hikmicrotech.com/en/industrial-product/s/hikmicro-analyzer-software.html>) uygulamasını indirebilirsiniz.

## Görüntü Ayarlama

Daha iyi ısı farkı analizi için iyi bir termal efekt elde etmek üzere Seviye ve Aralık manuel veya otomatik olarak ayarlanabilir.

Otomatik modda cihaz, görüntü için ısı aralığını otomatik olarak ayarlar. Manuel modda ekranda bir ilgi alanına dokunabilir ve görüntülenecek sıcaklık aralığını ayarlamak için sıcaklık tekerini kaydırın.



**Not:** Kameranız, görüntü kalitesini ve ölçüm doğruluğunu en uygun hale getirmek için belirli aralıklarla kendi kendine kalibrasyon işlemi

gerçekleştirir. Bu işlem esnasında görüntü kısa süreli duraklatılır ve deklanşör dedektörün önünde hareket ederken bir "klik" sesi duyarsınız. Cihaz kendisini kalibre ederken ekranın üst orta kısmında "Kalibre ediliyor ..." iletisi görüntülenir. Kendi kendine kalibrasyon, başlatma sırasında veya çok soğuk ya da sıcak ortamlarda daha sık gerçekleşir. Bu, kameranız için en iyi performansı sağlamak üzere işlemin normal bir kısmıdır.

## Kullanım Kılavuzu

Kullanıma yönelik ayrıntılar için kullanma kılavuzunu edinmek için QR kodu tarayın.



## Yasal Bilgiler

### YASAL UYARI

YÜRÜRLÜKTEKİ YASALARIN İZİN VERDİĞİ AZAMI ÖLÇÜDE, BU KILAVUZ VE AÇIKLANAN ÜRÜN, DONANIMI, YAZILIMI VE ÜRÜN YAZILIMI İLE "OLDUĞU GİBİ" VE "TÜM ARIZALAR VE HATALAR İLE" SAĞLANIR. HIKMICRO, SINIRLAMA, SATILABİLİRLİK, KALİTE MEMNUNİYETİ VEYA BELİRLİ BİR AMACA UYGUNLUK DAHİL, AÇIK VEYA ZİMNİ HİÇBİR GARANTİ VERMEZ. ÜRÜNÜN SİZİN TARAFINIZDAN KULLANIMI KENDİ SORUMLULUĞUNUZDADIR. HIKMICRO HİÇBİR DURUMDA, BU ÜRÜNÜN KULLANIMI İLE BAĞLANTILI OLARAK, HIKMICRO BU TÜR HASARLARIN OLASILIĞI HAKKINDA BİLGİLENDİRİLMİŞ OLSA BİLE, İŞ KARLARININ KAYBI, İŞ KESİNTİSİ, VERİ KAYBI,

SİSTEM KESİNTİSİ, BELGE KAYBI, SÖZLEŞMENİN İHLALI (İHMAL DAHİL), ÜRÜN SORUMLULUĞU GİBİ ZARARLAR DA DAHİL OLMAK ÜZERE, ÖZEL, SONUÇSAL, TESADÜFİ VEYA DOLAYLI ZARARLAR İÇİN SİZE KARŞI SORUMLU OLMAYACAKTIR.


HIKMICRO'NUN, İNTERNETİNİN DOĞAL GÜVENLİK RİSKLERİNİN GETİRDİĞİ SİBER SALDIRI, HACKER SALDIRISI, HACKER SALDIRISI, VİRÜS BULAŞMASINDAN KAYNAKLANAN ANORMAL ÇALIŞMA, GİZLİLİK SIZINTISI VEYA DİĞER ZARARLARDAN HERHANGİ BİR SORUMLULUK ALMAYACAĞINI KABUL EDİYORSUNUZ; ANCAK HIKMICRO, GEREKİRSE ZAMANINDA TEKNİK DESTEK SAĞLAYACAKTIR.

BU ÜRÜNÜ GEÇERLİ TÜM YASALARA UYGUN OLARAK KULLANMAYI KABUL EDİYORSUNUZ VE KULLANIMINIZIN GEÇERLİ YASALARA UYGUN OLMASINI SAĞLAMAKTAN YALNIZCA SİZ SORUMLUSUNUZ. ÖZELLİKLE, BU ÜRÜNÜ, SINIRLAMA OLMASIZIN, TANITIM HAKLARI, FİKRİ MÜLKİYET HAKLARI VEYA VERİ KORUMA VE DİĞER GİZLİLİK HAKLARI DA DAHİL OLMAK ÜZERE ÜÇÜNCÜ TARAFLARIN HAKLARINI İHLAL ETMEYECEK ŞEKİLDE KULLANMaktan SİZ SORUMLUSUNUZ. BU ÜRÜNÜ, KİTLE İMHA SİLAHLARININ GELİŞTİRİLMESİ VEYA ÜRETİMİ, KİMYASAL VEYA BİYOLOJİK SİLAHLARIN GELİŞTİRİLMESİ VEYA ÜRETİMİ, HERHANGİ BİR NÜKLEER PATLAYICI VEYA GÜVENLİ OLMAYAN NÜKLEER YAKIT DÖNGÜSÜ İLE İLGİLİ HERHANGİ BİR FAALİYETTE VEYA İNSAN HAKLARI İHLALLERİNİ DESTEKLEMENİN DE DAHİL YASAKLANMIŞ SON KULLANIMLAR İÇİN KULLANAMAZSINIZ. BU KILAVUZ İLE İLGİLİ YASA ARASINDA HERHANGİ BİR ÇELİŞKİ OLMASI DURUMUNDA, İKİNCİSİ GEÇERLİDİR.

#### Mevzuat Bilgisi

**Bu maddeler, yalnızca ilgili işarete veya bilgiye sahip ürünler için geçerlidir.**

#### EU/Birleşik Krallık Uygunluk Beyanı

 Bu ürün ve (varsa) birlikte verilen aksesuarlar ayrıca "CE" ile işaretlenmiştir ve bu nedenle 2014/30/EU (EMCD) Direktifi, 2014/35/EU (LVD) Direktifi ve 2011/65/EU (RoHS) Direktifi ve 2014/53/EU Direktifi altında listelenen geçerli uyumlaştırılmış Avrupa standartlarına uygundur.

#### Frekans Bantları ve Güç (CE/Birleşik Krallık için)

Aşağıdaki radyo ekipmanı için geçerli olan frekans bantları ve iletim gücü (yayılan ve/veya iletilen) nominal sınırları aşağıdaki gibidir:

**Wi-Fi:** 2,4 GHz (2,4 GHz ila 2,4835 GHz): 20 dBm

Berberinde güç adaptörü verilmeyen cihaz için, kalifiye bir üretici tarafından sağlanan güç adaptörünü kullanın. Ayrıntılı güç gereksinimleri için ürün özelliklerine bakın.

Ürünle birlikte verilen pili olmayan cihaz için nitelikli bir üretici tarafından sağlanan pili kullanın. Ayrıntılı pil gereksinimleri için ürün özelliklerine bakın.



2012/19/EU Direktifi (WEEE Direktifi): Bu sembole sahip ürünler, Avrupa Birliği'nde ayrıştırılmamış belediye atığı olarak imha edilemez. Doğru bir geri dönüşüm için eşdeğer yeni bir ekipman aldıktan sonra bu ürünü yerel tedarikçinize iade edin veya belirlenmiş toplama noktalarına gönderin. Daha fazla bilgi için bkz: [www.recyclethis.info](http://www.recyclethis.info).



2006/66/EC Direktifi ve değişiklik 2013/56/EU (Batarya Direktifi): Bu ürün, Avrupa Birliği'nde ayrıştırılmamış belediye atığı olarak imha edilemeyen bir pil içermektedir. Pile özel bilgi edinmek için ürün belgelerine bakın. Pil, kadmiyum (Cd), kurşun (Pb) veya cıva (Hg) elementlerini gösteren harflerin de yer alabildiği bu sembolle işaretlenmiştir. Doğru bir geri dönüşüm için pili tedarikçinize veya belirlenmiş toplama noktasına geri götürün. Daha fazla bilgi için bkz: [www.recyclethis.info](http://www.recyclethis.info).

#### Güvenlik Talimatı

Bu talimatlar ile tehlikeleri veya mal kayıplarını önlemek için kullanıcının ürünü doğru şekilde kullanabilmesinin sağlanması amaçlanmıştır.

#### Yasalar ve Yönetmelikler

- Ürünün yerel elektrik güvenliği düzenlemelerine kesinlikle uygun şekilde kullanılması gerekmektedir.

#### Ulaşım

- Cihazı taşırken orijinal ambalajının veya benzer bir ambalajın içerisine koyun.
- Ambalajından çıkardıktan sonra tüm ambalajları ileride kullanmak üzere saklayın. Herhangi bir arıza meydana gelmesi halinde cihazı orijinal sargısıyla birlikte fabrikaya iade etmeniz gerekir. Orijinal ambalajı olmadan taşımak cihaza zarar verebilir bu durumda şirket hiçbir sorumluluk kabul etmeyecektir.
- Ürünü düşürmeyin veya fiziksel darbeye maruz bırakmayın. Cihazı manyetik parazitten uzak tutun.

## Güç Kaynağı

- Giriş voltajı, IEC61010-1 standardına göre Sınırlı Güç Kaynağını (3,85 VDC, 570 mA) karşılamalıdır. Ayrıntılı bilgi için lütfen teknik özelliklere bakın.
- Fişin elektrik prizine düzgün şekilde takıldığından emin olun.
- Aşırı yükten kaynaklı aşırı ısınmayı veya yangın tehlikelerini önlemek için bir güç kaynağına birden fazla cihaz TAKMAYIN.
- Yetkili üretici tarafından sağlanan güç adaptörünü kullanın. Ayrıntılı güç gereksinimleri için ürün özelliklerine bakın.

## Pil

- İlk kez kullanmadan önce lütfen cihazı 3 saat şarj edin.
- Pilin yanlış kullanımı veya değiştirilmesi patlama tehlikesine neden olabilir. Yalnızca aynı veya eşdeğer tipte batarya ile değiştirin. Kullanılmış pilleri, pil üreticisi tarafından sağlanan talimatlara uygun olarak imha edin.
- Dahili pil sökülemez. Gerekirse onarım için lütfen üreticiyle iletişime geçin.
- Pil uzun süre kullanılmadan saklanacaksa pilin kalitesinin devam ettirilmesi için her altı ayda bir tam olarak şarj edilmesini sağlayın. Aksi takdirde hasar meydana gelebilir.
- Yetkili üretici tarafından sağlanan pili kullanın. Ayrıntılı pil gereksinimleri için ürün özelliklerine bakın.
- Pili ısıtma veya ateş kaynağının yakınına YERLEŞTİRMEYİN. Doğrudan güneş ışığından kaçının.
- Kimyasal yanıklardan kaçınmak için pili YUTMAYIN.
- Pili çocukların ulaşabileceği bir yere YERLEŞTİRMEYİN.
- Cihaz kapalıyken ve RTC pili dolu olduğunda zaman ayarları 6 ay boyunca saklanabilir.
- İlk kullanımda cihazı, kapalı olarak 2,5 saatten uzun bir süre şarj edin.
- Pil voltajı 3,85 V ve pil kapasitesi 2.100 mAh'dir.
- Pil UL2054 tarafından onaylanmıştır.

## Bakım

- Ürün düzgün şekilde çalışmıyorsa lütfen bayiiinizle veya en yakın servis merkeziyle iletişime geçin. Yetkisiz onarım veya bakımdan kaynaklanan sorunlar için herhangi bir sorumluluk kabul etmeyiz.
- Cihazın birkaç parçası (ör. Elektrolitik kapasitör) düzenli olarak değiştirilmelidir. Ortalama parça ömrü değişiklik göstermektedir bu nedenle periyodik kontrol önerilmektedir. Ayrıntılar için satıcınızla iletişime geçin.
- Cihazı temiz bir bez ve gerekirse az miktarda etanol ile hafifçe silin.
- Ekipman, üretici tarafından belirtilmeyen bir şekilde kullanılırsa cihaz

tarafından sağlanan koruma bozulabilir.

## Kalibrasyon Hizmeti

- Cihazı yılda bir kez kalibrasyon için geri göndermenizi öneririz. Bakım noktaları hakkında bilgi için lütfen yerel bayi ile iletişime geçin. Daha ayrıntılı kalibrasyon hizmetleri için lütfen bkz. <https://www.hikmicrotech.com/en/support/calibration-service.html>

## Kullanma Ortamı

- Cihazı aşırı sıcak, soğuk, tozlu, aşındırıcı, tuzlu-alkali veya rutubetli ortamlara maruz bırakmayın. Çalışma ortamının cihazın gereksinimlerini karşıladığından emin olun. Çalışma sıcaklığı -10°C ila 50°C (14°F ila 122°F) ve çalışma nemi % 95 veya daha az olmalıdır.
- Cihazı, kuru ve iyi havalandırılan bir ortama yerleştirin.
- Cihazı yüksek elektromanyetik radyasyona sahip veya tozlu ortamlarda BULUNDURMAYIN.
- Lensi, güneşe veya herhangi bir parlak ışığa doğru tutmayın.
- Herhangi bir lazer ekipmanı kullanılırken cihaz merceğinin, lazer ışınına maruz kalmadığından emin olun aksi takdirde yanabilir.
- Cihaz iç ve dış mekanlarda kullanıma uygundur ancak ıslak ortamlarda bırakmayınız.
- Koruma seviyesi IP 54'tür.
- Kirlilik derecesi 2'dir.

## Teknik Destek

- <https://www.hikmicrotech.com/en/contact-us.html> portalı, bir HIKMICRO müşterisi olarak HIKMICRO ürünlerinizden en iyi şekilde yararlanmanıza yardımcı olacaktır. Portal, destek ekibimize, yazılım ve belgelere, hizmet bağlantılarına vb. erişmenizi sağlar.

## Acil Durum

- Cihazdan duman, koku veya ses geliyorsa hemen gücü kapatarak güç kablosunun bağlantısını kesin ve servis merkeziyle iletişime geçin.

## Üretim Adresi

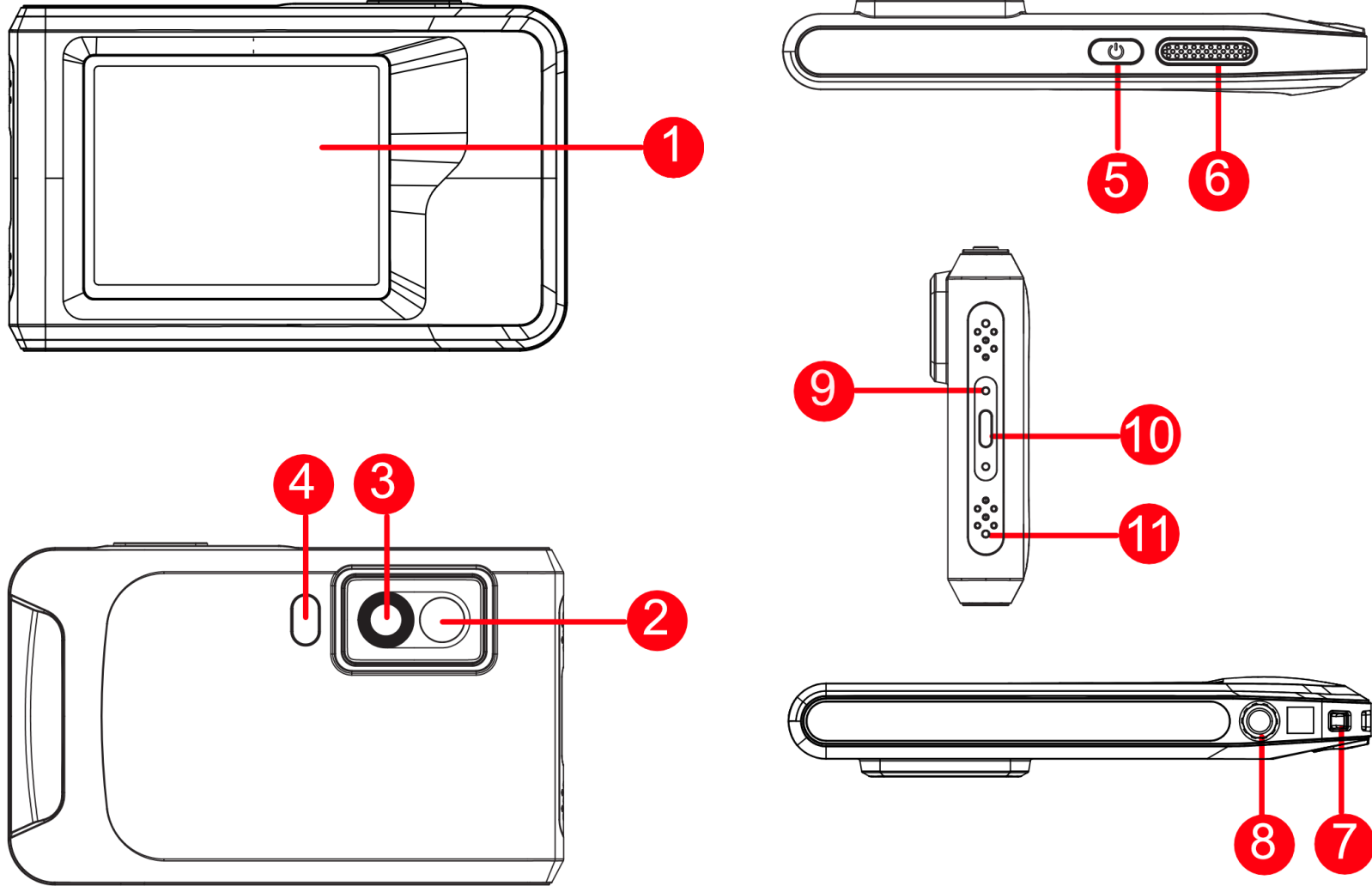
Oda 313, Birim B, Bina 2, 399 Danfeng Caddesi, Xixing Nahiyesi, Binjiang Bölgesi, Hangzhou, Zhejiang 310052, Çin  
Hangzhou Microimage Software Co., Ltd.

UYGUNLUK BİLDİRİMİ: Termal serisi ürünler, sınırlama olmaksızın Amerika Birleşik Devletleri, Avrupa Birliği, Birleşik Krallık ve / veya Wassenaar

Düzenlemesinin diğere üye ülkeleri dahil olmak üzere çeşitli ülke veya bölgelerde ihracat kontrollerine tabi olabilir. Termal serisi ürünleri farklı ülkeler arasında transfer etmeyi, ihraç etmeyi veya yeniden ihraç etmeyi

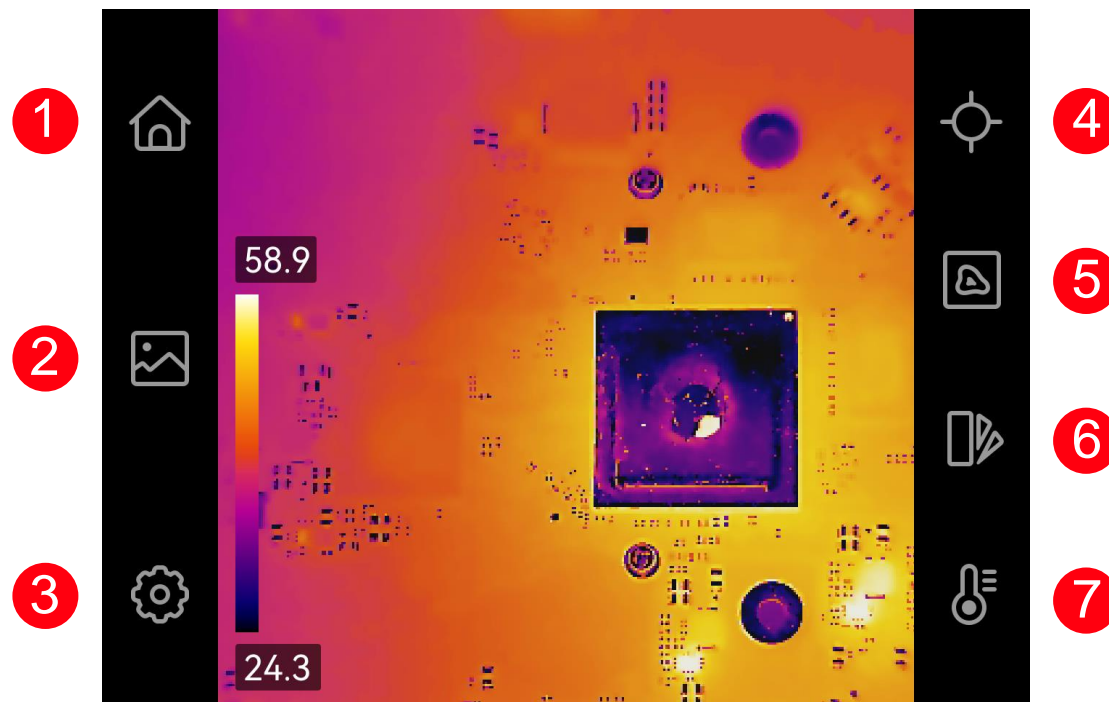
düşünüyorsanız, lütfen gerekli ihracat lisansı gereklilikleri için profesyonel hukuk veya uyum uzmanınıza veya yerel hükümet yetkililerine danışın.

## 日本語





番号	説明	機能
1	タッチコントロールスクリーン	タッチコントロールで画像を表示したり、デバイス进行操作できます。
2	ビジュアルレンズ	光学画像を表示します。
3	サーマルレンズ	サーマル画像を表示します。
4	フラッシュライト	対象物を照らし、点滅アラームを出力します。
5	電源キー	長押しすると、電源のオン/オフが切り替わります。
6	キャプチャーキー	押すと画像をキャプチャーします。 長押しすると動画の撮影が始まり、もう一度押すと停止します。
7	ストラップ取付ポイント	リストストラップを装着します。
8	三脚マウント	三脚を取り付けます。
9	充電インジケータ	デバイスの充電状態を表示します。 <ul style="list-style-type: none"> <li>● 赤で点灯：正常に充電</li> <li>● 赤で点滅：充電に異常あり</li> <li>● 緑で点灯：満充電</li> </ul>
10	Type-Cインターフェイス	Type-Cケーブルで、デバイスを充電したり、ファイルをエクスポートすることができます。
11	マイク	音声録音。



番号	説明	機能
1	ホーム	タップするとライブビューに戻ります。
2	アルバム	アルバムで、撮影した画像や動画を見ることができます。
3	設定	デバイスのローカル設定を調整します。
4	測定	測定ツールのオン/オフを切り替えます。
5	画像表示モード	ライブ画像の表示モード（サーマル、ビジュアル、フュージョンなど）を切り換えます。
6	パレット	熱画像のカラーパレットを切り替えます。

## 7 レベルとスパン

熱画像表示用の温度範囲を調整します。

### 温度測定

高感度IR検出器と高性能センサーを内蔵し、温度測定範囲は-20℃から350℃（-4°Fから662°F）で、精度は±2℃（±3.6°F）または周囲温度が15℃から35℃（59°Fから95°F）で、測定対象の温度が0℃（32°F）を超えている場合は±2%です。

### スワイプダウンメニュー

スワイプダウンメニューで明るさを調整したり、Wi-Fi、ホットスポット、スクリーンキャスト、フラッシュライト、ダーク/ブライトモードなどの機能を有効にすることができます。

### クライアントソフトウェアの接続

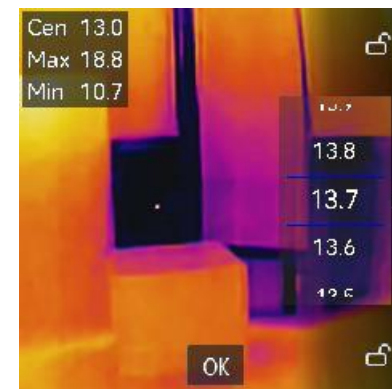
HIKMICROビューアアプリを使用すると、スマートフォンでライブビューの表示、スナップショットのキャプチャーおよびビデオの録画を行うことができます。カバーのQRコードをスキャンして、アプリをダウンロードします。

HIKMICROアナライザーをダウンロードすると (<https://www.hikmicrotech.com/en/industrial-products/hikmicro-analyzer-software.html>)、PCでオフラインで画像をプロフェッショナルに分析し、カスタムフ

ォーマットのレポートを作成することができます。  
**画像設定**

レベル&スパンは手動または自動で調整でき、より良い温度差分析のための最適な熱効果を得ることができます。

自動モードでは、デバイスは温度範囲表示を自動的に調整します。手動モードでは、画面の関心ある領域をタップするか、温度ホイールをスクロールして、表示する温度範囲を調整することができます。



**注意：**本カメラは、画質と測定精度を最適化するために、定期的に自己キャリブレーションを実行します。このプロセスで、画像が短時間静止し、検知器の前でシャッターが動く際に「カチッ」という音が

聞こえます。デバイスのキャリブレーション中は、画面の上部中央に「キャリブレーション中・・・」というプロンプトが表示されます。起動中や、非常に低温または高温の環境では、自己キャリブレーションがより頻繁に実行されます。これは、カメラの最適な性能を確保するための正常な動作です。

## ユーザーマニュアル

詳しい操作方法については、QRコードを読み取ってユーザーマニュアルでご確認ください。



## 法的情報

### 法的免責事項

適用法で認められる最大限の範囲で、本マニュアルおよび説明されている製品（ハードウェア、ソフトウェア、ファームウェアを含む）は、[現状のまま]および[すべての欠陥とエラーがある]状態で提供されます。HIKMICROでは、明示あるいは黙示を問わず、商品性、十分な品質、または特定目的に対する適合性などを一切保証しません。本製品は、お客様の自己責任においてご利用ください。HIKMICROは、本製品の利用に関連する事業利益の損失や事業妨害、データの損失、システムの障害、文書の損失に関する損害を含む特別、必然、偶発または間接的な損害に対して、それが契約に対する違反、不法行為(過失を含む)、製品の責任または製品の使用に関連するものであっても、たとえHIKMICROがそうした損害および損失について通知を受けていたとし

ても、一切の責任を負いません。

お客様は、インターネットにはその性質上固有のセキュリティリスクがあることを了解し、異常動作、プライバシーの流出、またはサイバー攻撃、ハッカー攻撃、ウィルス感染等のインターネットセキュリティリスクによる損害について、HIKMICROは一切責任を負いません。ただし、必要に応じてHIKMICROは適時技術的サポートを提供します。お客様には、すべての適用法に従って本製品を利用し、さらにご自分の利用法が適用法を順守していることを確認する責任があります。特に、肖像権、知的財産権、またはデータ保護等のプライバシー権を非限定的に含むサードパーティの権利を侵害しない手段で本製品を利用する責任があります。大量破壊兵器の開発や生産、化学兵器・生物兵器の開発や生産、核爆発物や危険な核燃料サイクル、または人権侵害に資する活動を含む、禁じられている最終用途の目的で本製品を使用してはなりません。

本マニュアルと適用法における矛盾がある場合については、後者が優先されます。

### 規制情報

---

これらの条項は、対応するマークまたは情報が付された製品にのみ適用されます。

---

### EU/UK適合宣言

**CE** 本製品および同梱の周辺機器（適用可能な場合）には「CE」マークが付いており、指令（2014/30/EU）(EMCD)、指令（2014/35/EU）(LVD)、RoHS指令（2011/65/EU）およびRoHS指令（2014/53/EU）に掲げる適用可能な欧州統一基準に準拠します。

### 周波数帯および電力（CE/UK用）

以下の無線装置に適用される周波数帯域と通信出力（放射および/または伝導）の公称値の許容範囲は次のとおりです。

Wi-Fi : 2.4 GHz (2.4 GHz~2.4835 GHz) : 20dBm

付属の電源アダプターがない場合は、デバイスに認定メーカーが供給



する電源アダプターをご使用ください。電源の詳細な要件については、製品仕様を参照してください。

付属のバッテリーがない場合は、デバイスに認定メーカーが供給するバッテリーをご使用ください。バッテリーの詳細な要件については、製品仕様を参照してください。



指令2012/19/EU (WEEE 指令)：この記号が付いている製品は、欧州連合 (EU) の地方自治体の未分別廃棄物として処分できません。適切にリサイクルするために、本製品は同等の新しい装置を購入する際に、お近くの販売業者に返却いただくか、指定された収集場所で処分してください。より詳細な情報については以下をご確認ください。www.recyclethis.info



指令2006/66/ECおよびその修正案2013/56/EU (バッテリー指令)：本製品には、欧州連合 (EU) の地方自治体の未分別廃棄物として処分できないバッテリーが含まれています。特殊バッテリー情報に関する製品資料をご覧ください。バッテリーにはこの記号が付いており、カドミウム (Cd)、鉛 (Pb)、水銀 (Hg) を示す文字も記載されています。適切にリサイクルするために、販売業者か、指定された収集場所にご返却ください。より詳細な情報については以下をご確認ください。www.recyclethis.info

### 安全上の指示

これらの指示は、ユーザーが製品を正しく使用し、危険や財産損失を回避できるように保証することを目的としています。

### 法規と規則

- 製品の使用にあたって、お住まいの地域の電気安全性に関する法令を厳密に遵守する必要があります。

### 輸送

- 輸送中は、デバイスを元のパッケージまたは類似したパッケージに梱包してください。
- 開梱後は、後日使用できるように、梱包材を保存しておいてください。不具合が発生した場合、元の梱包材を使用して工場に機器を返送する必要があります。元の梱包材を使用せずに返送した場合、破損が発生する恐れがありますが、その際に、当社は一切責任を負い

ません。

- 製品を落下させたり、物理的な衝撃を与えないでください。本器を電磁妨害から遠ざけてください。

### 電源

- 入力電圧は、IEC61010-1規格の制限電源 (DC3.85V、570mA) を満たす必要があります。詳細情報に関しては技術仕様を参照してください。
- プラグが適切に電源ソケットに接続されていることを確認してください。
- 1台の電源アダプターに2台以上の機器を接続してはなりません。過負荷によって過熱したり、火災発生の危険があります。
- 正規メーカーより供給された電源アダプターを使用してください。電源の詳細な要件については、製品仕様を参照してください。

### バッテリー

- 最初に使用する前に、デバイスを3時間以上充電してください。
- バッテリーの不適切な使用や交換を行うと、爆発の危険性があります。同一または同等のタイプのものと同様に交換してください。バッテリーのメーカーによって提供された指示に準拠して、使用済みバッテリーを処分してください。
- 内蔵バッテリーは取り外しできません。修理については必要に応じてメーカーにお問い合わせください。
- バッテリーを長期保存する場合は、半年に一度はフル充電して、バッテリーの品質を保つようにしてください。これを怠った場合、破損の原因となります。
- 認定メーカーのバッテリーをご使用ください。バッテリーの詳細な要件については、製品仕様を参照してください。
- 暖房器具や火気の近くにバッテリーを置かないでください。直射日光を避けてください。
- 化学熱傷の恐れがありますので、絶対にバッテリーを飲み込まないでください。
- お子様の手が届くところにバッテリーを置かないでください。
- デバイスの電源がオフで、RTCバッテリーが満充電されている状態では、時間設定は6ヶ月間保持できます。

- 初回使用時は、電源オフの状態ですら2.5時間以上充電してください。
- バッテリー電圧は3.85V、バッテリー容量は2100mAhです。
- バッテリーはUL2054によって認定されています。

## メンテナンス

- 製品が正しく動作しない場合、販売店または最寄りのサービスセンターに連絡してください。承認されていない修理や保守行為による問題について、当社はいかなる責任も負いません。
- 一部のデバイスコンポーネント（電解コンデンサなど）は、定期的な交換する必要があります。製品の平均寿命は変動するため、定期的な点検をお勧めします。詳細については、販売店にお問い合わせください。
- 必要ならば、エタノールを少量含ませたきれいな布でデバイスを静かに拭きます。
- メーカーが指定していない方法で使用した場合、デバイスが提供する保護機能が損なわれる恐れがあります。

## キャリブレーションサービス

- 年に一度、キャリブレーションのためにデバイスを返送することをお勧めします。メンテナンス拠点については、最寄りの販売店にお問い合わせください。より詳細なキャリブレーションサービスについては、<https://www.hikmicrotech.com/en/support/calibration-service.html>をご覧ください

## 使用環境

- デバイスを、極端な高温や低温、埃の多い環境、腐食性環境、塩アルカリ性環境、湿気の高い環境にさらさないでください。実行環境がデバイスの要件を満たしていることを確認します。動作温度は-10°C～50°C (14°F～122°F)で、動作湿度は95%以下です。
- デバイスは、乾燥して換気の良い環境に配置してください。

- デバイスを強い電磁波や埃の多い環境にさらさないでください。
- レンズを太陽や極端に明るい場所に向けしないでください。
- レーザー装置を使用している場合は、デバイスのレンズがレーザービームにさらされていないことを確認してください。焼損するおそれがあります。
- このデバイスは屋内および屋外での使用に適していますが、濡らさないようにご利用ください。
- 防水レベルはIP54です。
- 汚染度は2です。

## テクニカルサポート

- <https://www.hikmicrotech.com/en/contact-us.html>ポータルは、HIKMICROのお客様がHIKMICRO製品を最大限に活用するのに役立ちます。ポータルから、サポートチーム、ソフトウェアとドキュメント、サービスの連絡先などにアクセスできます。

## 緊急

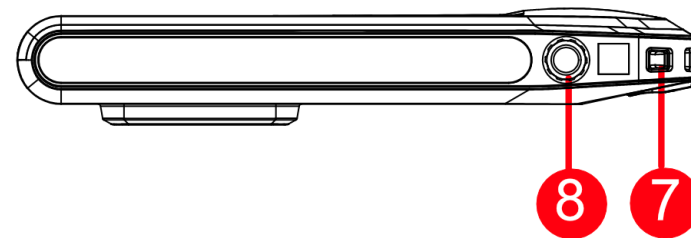
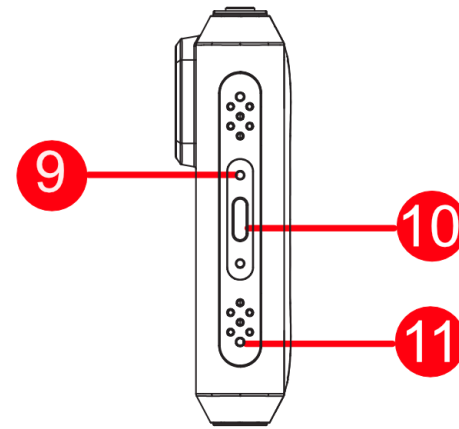
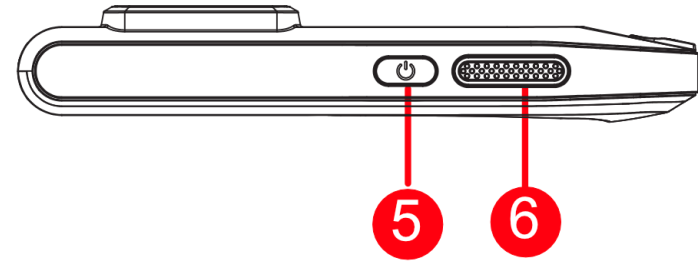
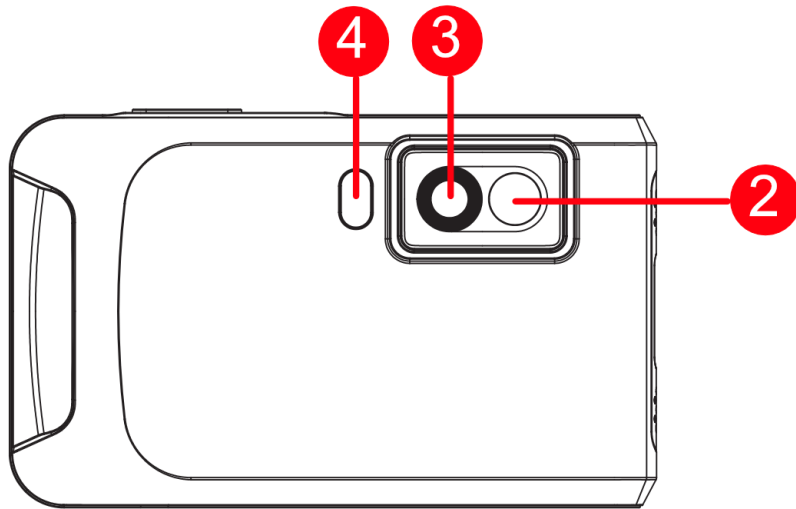
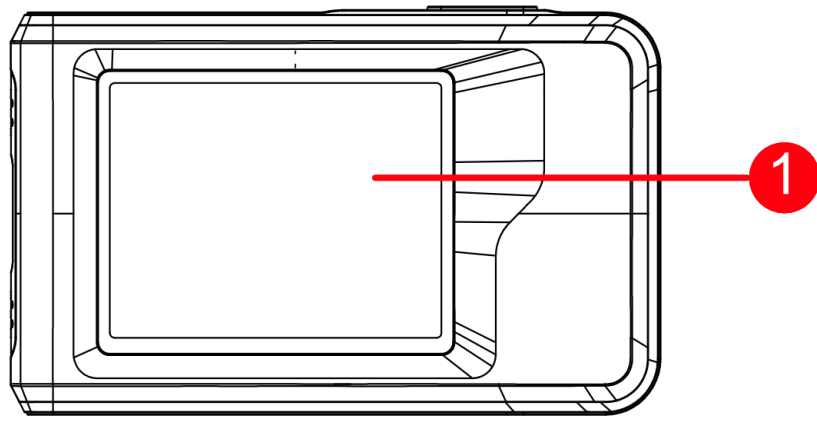
- デバイスから煙や異臭、異音が発生した場合、すぐに電源を切り、電源ケーブルを抜いて、サービスセンターにご連絡ください。

## メーカー住所

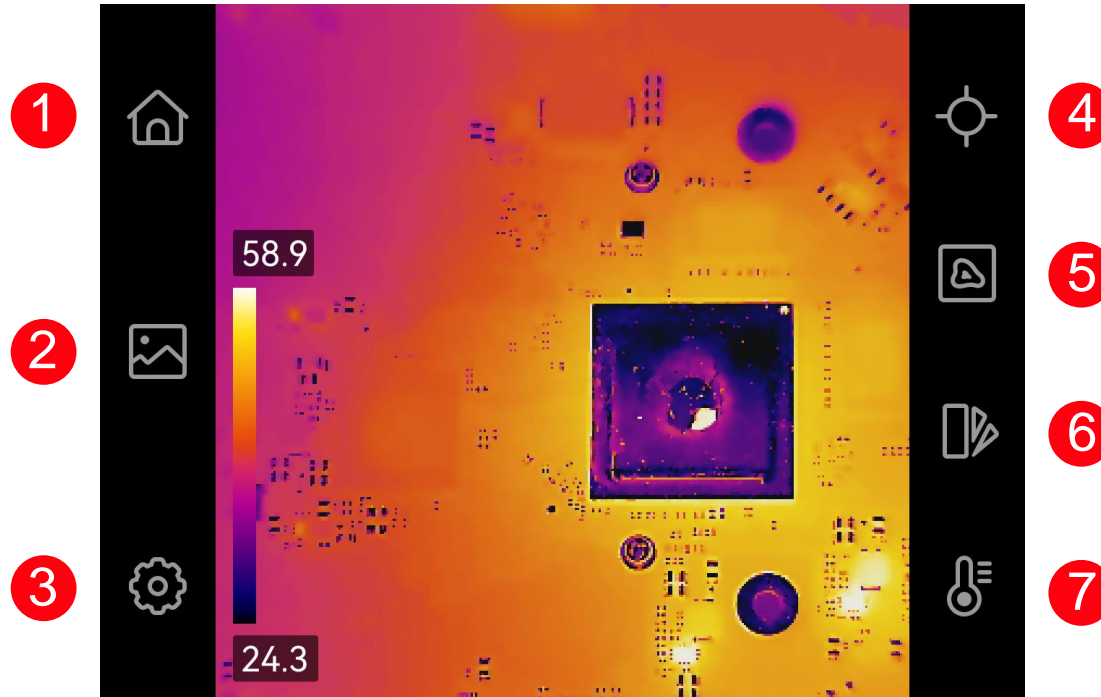
310052 中国浙江省杭州市滨江区西興地区段鳳通り399号2棟ユニットB 313号室  
Hangzhou Microimage Software Co., Ltd.

法令順守通知：本サーマルシリーズ製品は、アメリカ合衆国、欧州連合、英国などワッセナー・アレンジメントの会員国を含むがそれだけに限定されない各国・各地域で、輸出管理の対象となる可能性があります。サーマルシリーズ製品を外国へ転送・輸出・再輸出する場合は、貴社の法務・コンプライアンス部門もしくは自国の政府機関に、輸出ライセンスの条件についてご確認ください。





번호	설명	기능
1	터치 제어 스크린	이미지를 보고 터치 컨트롤로 장비를 작동합니다.
2	실화상 렌즈	광학 이미지를 봅니다.
3	열화상 렌즈	열화상 이미지를 봅니다.
4	플래시 라이트	대상에 빛을 비추고 플래시 알람을 생성합니다.
5	전원 키	길게 눌러서 장비를 켜고 끕니다.
6	캡처 키	누르면 이미지가 캡처됩니다. 길게 눌러 비디오 녹화를 시작하고 다시 눌러 중지합니다.
7	스트랩 부착 포인트	손목 스트랩을 장착합니다.
8	삼각대 장착	삼각대를 장착합니다.
9	충전 표시등	장비의 충전 상태를 표시합니다. ● 빨간등 켜짐: 정상적으로 충전 중 ● 빨간등 깜빡임: 충전 비정상 ● 녹색등 켜짐: 충전 완료됨
10	Type-C 인터페이스	Type-C 케이블을 사용해 장비를 충전하거나 파일을 내보냅니다.
11	마이크	오디오를 녹음합니다.



번호	설명	기능
1	실내	탭하여 실시간 보기로 돌아갑니다.
2	앨범	앨범으로 이동하여 캡처된 이미지와 비디오를 봅니다.
3	설정	장비 로컬 설정을 조정합니다.
4	측정	측정 도구를 켜고/끄습니다.
5	이미지 표시 모드	열화상, 실화상, 융합 등의 실시간 이미지 표시 모드를 전환합니다.
6	팔레트	열화상 색상 팔레트를 전환합니다.
7	수준 및 범위	열화상 표시의 온도 범위를 조정합니다.

## 온도 측정

내장된 고감도 IR 감지기 및 고성능 센서를 통한 온도

측정 범위는 -20°C~350°C(-4°F~662°F)이며 온도 측정 정확도는 주변 온도가 15°C~35°C(59°F~95°F)이고 대상의 온도가 0°C(32°F) 이상일 때 ±2°C(±3.6°F) 또는 2%입니다.

### 스вай프 다운 메뉴

스вай프 다운 메뉴에서 밝기를 조절할 수 있으며, Wi-Fi, 핫스팟, 스크린 캐스트, 플래시라이트 및 다크/브라이트 모드 등의 기능을 활성화할 수 있습니다.

### 클라이언트 소프트웨어 연결

HIKMICRO Viewer 앱을 통해 휴대전화에서 실시간 보기를 확인하고 스냅샷을 캡처하고 비디오를 녹화할 수 있습니다. 커버에 있는 QR 코드를 스캔하여 앱을 다운로드합니다.

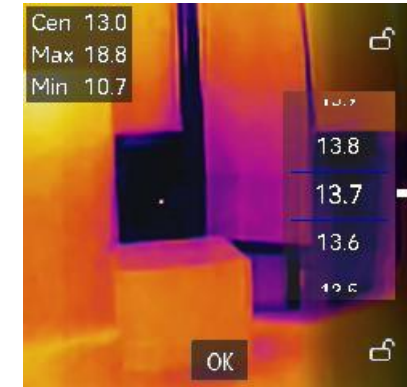
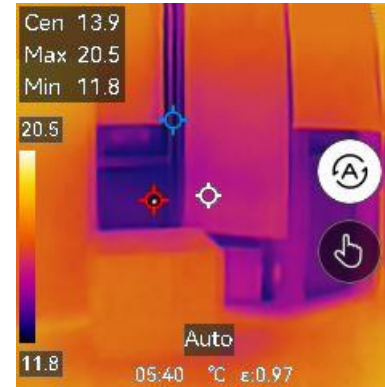
그러면 HIKMICRO

Analyzer(<https://www.hikmicrotech.com/en/industrial-products/hikmicro-analyzer-software.html>)를 다운로드하여 오프라인에서 사진을 전문적으로 분석하고 PC에서 사용자 지정 형식 보고서를 생성할 수 있습니다.

### 이미지 조정

더 효과적인 온도 차이 분석에 필요한 열 효과를 위해 레벨 & 스팬을 수동 또는 자동으로 조정할 수 있습니다.

자동 모드에서 장비는 표시할 온도 범위를 자동으로 조정합니다. 수동 모드에서 화면의 관심 영역을 탭하고 온도 휠을 스크롤하여 표시할 온도 범위를 조정할 수 있습니다.



**노트:** 이 카메라는 주기적으로 자체 보정을 수행하여 이미지 품질 및 측정 정확도를 최적화합니다. 이 과정에서 이미지가 잠깐 멈추고 셔터가 감지기 앞에서 움직일 때 "찰칵"하는 소리가 들립니다. 장비가 자체 보정하는 동안 화면 상단 중앙에 "보정 중 ..." 프롬프트가 표시됩니다. 자체 보정은 시동 중 또는 매우 춥거나 더운 환경에서 더 자주 발생합니다. 이는 카메라의 최적의 성능을 보장하기 위한 정상적인 작동 중 일부입니다.

### 사용자 매뉴얼

자세한 작동 지침은 QR 코드를 스캔하여 사용 설명서를 확인하십시오.



## 법률 정보

### 법적 고지 사항


관련 법률에서 허용하는 최대 범위에서 본 매뉴얼 및 설명된 제품은 하드웨어, 소프트웨어와 펌웨어의 모든 결함 및 오류가 "있는 그대로" 제공됩니다. HIKMICRO는 상품성, 품질 만족도, 특정 목적에의 적합성 및 타사의 비침해를 포함하되 이에 국한되지 않고 명시적 또는 묵시적으로 보증하지 않습니다. 제품 사용 시 책임은 전적으로 사용자에게 있습니다. 어떠한 경우에도 HIKMICRO는 제품의 사용과 관련해 발생하는 특별한, 결과적, 부수적 또는 간접적 손해 및 특히 사업상의 이익 손실, 운영 중단으로 인한 손해 또는 데이터의 손실, 시스템 장애 또는 문서의 손실에 대해 계약 위반, 불법 행위(과실 책임 포함), 제조물 책임 또는 그 외 제품 사용 관련성과 관계없이 일절 책임지지 않으며 HIKMICRO이 해당 손상 또는 손실이 발생할 가능성을 권고한 경우에도 그렇습니다.

귀하는 인터넷의 특성상 본질적으로 보안 위험이 잠재해 있음을 인정하며, HIKMICRO는 사이버 공격, 해커 공격, 바이러스 감염 또는 기타 인터넷 보안 위험으로 인해 발생한 비정상 작동, 개인정보 유출 또는 기타 손해에 대해 일절 책임지지 않습니다. 그러나 HIKMICRO는 필요한 경우 시기적절하게 기술 지원을 제공합니다. 귀하는 해당되는 모든 법률을 준수해 본 제품을 사용하는 데 동의하며, 해당되는 법률을 준수해 사용하는 것은 전적으로 귀하의 책임입니다. 특히, 귀하는 퍼블리시티권, 지적 재산권, 데이터 보호 및 기타 개인 정보 보호권을 포함하되 이에 국한되지 않고 제3자의 권리를 침해하지 않는 방식으로 본 제품을 사용하는 것에 대해 책임을 집니다. 귀하는 대량 살상 무기 개발 또는 생산, 화학 또는 생물 무기 개발 또는 생산, 핵폭발 또는 안전하지 않은 핵연료 주기와 관련된 또는 인권 침해를 조장할 수 있는 개발 또는 생산을 포함해 금지된 최종 용도를 위해 본 제품을 사용하지 않습니다. 본 매뉴얼과 적용되는 법률 사이에 충돌이 발생하는 경우 법률이 우선합니다.

### 규제 정보

이 조항은 해당 마크 또는 정보가 있는 제품에만 적용됩니다.

### EU/UK 규정 준수 선언

 본 제품은 물론 제공되는 액세서리(해당되는 경우)에도 "CE"가 표시되어 있으므로 Directive 2014/30/EU(EMCD), Directive 2014/35/EU(LVD), Directive 2011/65/EU(RoHS), Directive 2014/53/EU에 명시된 적용되는 유럽 공통 표준을 준수합니다.

### 주파수 대역 및 전력(CE/UK용)

주파수 대역 및 송신 전력(방사 및/또는 전도)공칭 한계는 다음 무선 장비에 적용됩니다.

### Wi-Fi: 2.4GHz(2.4GHz~2.4835GHz): 20dBm

전원 어댑터가 공급되지 않은 기기의 경우, 공인 제조업체에서 제공하는 전원 어댑터를 사용하십시오. 자세한 전원 요구 사항은 제품 사양을 참조하십시오.

배터리가 공급되지 않은 기기의 경우, 공인 제조업체에서 제공하는 배터리를 사용하십시오. 자세한 배터리 요건은 제품 사양을 참조하십시오.



Directive 2012/19/EU(WEEE 지침): 이 기호가 표시된 제품은 유럽 연합 내에서 분류되지 않은 일반폐기물로 폐기할 수 없습니다. 적절히 재활용하기 위해 동급 장비를 새로 구매할 때 현지 공급업체에 제품을 반납하거나 지정된 수거 장소에 폐기하십시오. 자세한 내용은 [www.recyclethis.info](http://www.recyclethis.info)를 참조하십시오.



Directive 2006/66/EC 및 개정 2013/56/EU(배터리 지침): 본 제품에는 유럽 연합 내에서 분류되지 않은 일반폐기물로 폐기할 수 없는 배터리가 포함되어 있습니다. 특정 배터리에 관한 자세한 내용은 제품 관련 문서를 참조하십시오. 이 기호가 표시된 배터리에는 카드뮴(Cd), 납(Pb)또는 수은(Hg)을 나타내는 글자가 포함될 수 있습니다. 적절히 재활용하기 위해 공급업체에 배터리를 반납하거나 지정된 수거 장소에 폐기하십시오. 자세한 내용은 [www.recyclethis.info](http://www.recyclethis.info)를 참조하십시오.

## KC

B급 기기: 이 기기는 가정용(B급) 전자파적합기기로서 주로 가정에서 사용하는 것을 목적으로 하며, 모든 지역에서 사용할 수 있습니다.

## 안전 지침

이 지침은 사용자가 제품을 올바르게 사용해 위험 또는 재산상의 손실을 방지하도록 하기 위해 제공되는 것입니다.

## 법률 및 규정

- 제품을 사용하려면 현지 전기 안전 규정을 엄격히 준수해야 합니다.

## 운반

- 장비를 운반할 때는 본래 포장재 또는 유사한 포장재에 장비를 놓으십시오.
- 포장을 푼 다음에는 나중에 사용할 수 있도록 모든 포장재를 보관하십시오. 고장이 발생할 경우에는 장비를 본래 포장 상태로 포장해 공장으로 반품해야 합니다. 본래 포장 상태로 운송하지 않으면 장비가 손상될 수 있으며, 회사는 일절 책임지지 않습니다.
- 제품을 떨어뜨리거나 물리적 충격을 가하지 마십시오. 장비가 전자파의 간섭을 받지 않도록 하십시오.

## 전원 공급 장치

- IEC61010-1 표준에 따라 입력 전압은 LPS(Limited Power Source)(3.85 VDC, 570mA)를 충족해야 합니다. 자세한 내용은 기술 사양을 참조하십시오.
- 플러그가 전원 소켓에 올바르게 연결되어 있는지 확인하십시오.
- 과부하로 인한 과열 또는 화재 위험을 방지하기 위해 하나의 전원 어댑터에 여러 장비를 연결하지 마십시오.
- 공인 제조사에서 제공한 전원 어댑터를 사용하십시오. 자세한 전원 요구 사항은 제품 사양을 참조하십시오.

## 배터리

- 처음 사용하기 전에 3시간 이상 장비를 충전하십시오.

- 부적절한 배터리를 사용하거나 교체하면 폭발의 위험을 초래할 수 있습니다. 동일하거나 동급 유형의 배터리로만 교체합니다. 사용한 배터리는 배터리 제조사가 제공하는 지침에 따라 폐기합니다.
- 내장된 배터리는 분해할 수 없습니다. 수리가 필요한 경우 제조사에 연락하십시오.
- 배터리를 장기간 보관하는 경우 배터리의 품질을 보장하기 위해 6개월마다 완충하십시오. 그렇지 않을 경우 손상될 수 있습니다.
- 공인 제조사에서 제공한 배터리를 사용하십시오. 자세한 배터리 요건은 제품 사양을 참조하십시오.
- 배터리를 열원 또는 화재 발생원 근처에 두지 마십시오. 직사광선을 피하십시오.
- 화학적 화상을 피하기 위해 배터리를 삼키지 마십시오.
- 배터리를 어린이의 손에 닿는 곳에 두지 마십시오.
- 장비의 전원이 꺼지고 RTC 배터리가 완전히 충전되면 시간 설정을 6개월 동안 유지할 수 있습니다.
- 처음 사용할 경우 전원을 끈 상태에서 2.5시간 이상 충전하십시오.
- 배터리 전압은 3.85V, 배터리 용량은 2100mAh입니다.
- 배터리는 UL2054 인증을 받았습니다.

## 유지 관리

- 제품이 제대로 작동하지 않을 경우 판매점 또는 가까운 서비스 센터에 문의하십시오. 당사는 무단 수리 또는 유지 관리로 인해 발생한 문제에 대해 일절 책임지지 않습니다.
- 장비의 일부 구성 요소(예: 전해 커패시터)는 주기적으로 교체해야 합니다. 평균 수명은 상황에 따라 다르므로 정기 점검을 권장합니다. 자세한 내용은 판매점에 문의하십시오.
- 필요한 경우 깨끗한 헝겊에 에탄올을 소량 묻혀 장비를 살살 닦아주십시오.
- 제조사가 지정하지 않은 방식으로 장비를 사용하는 경우 장비에 의해 제공되는 보호 성능이 손상될 수 있습니다.

## 보정 서비스

- 보정을 위해 1년에 한 번 장비를 정비소에 보내는 것이 좋으며,



정비소에 대한 정보는 지역 대리점에 문의하십시오. 보정 서비스에 관한 자세한 정보는 <https://www.hikmicrotech.com/en/support/calibration-service.html>을 참조하십시오.

### 사용 환경

- 장비를 너무 뜨겁거나 차가운 곳, 먼지가 많거나 부식하기 쉬운 곳, 염분-알칼리성 환경 또는 습한 환경에 노출하지 마십시오. 작동 환경이 장비의 작동 요구 사항을 충족하도록 하십시오. 작동 온도는 -10°C~50°C(14°F~122°F)여야 하며 작동 습도는 95% 이하여야 합니다.
- 장비를 건조하고 통풍이 잘되는 환경에 두십시오.
- 장비를 전자파 방사가 높거나 먼지가 많은 환경에 노출하지 마십시오.
- 렌즈를 태양 또는 기타 밝은 빛에 조준하지 마십시오.
- 레이저 장비를 사용할 때는 장비 렌즈를 레이저 빔에 노출하지 마십시오. 그렇지 않으면 화재가 발생할 수 있습니다.
- 이 장비는 실내 및 실외 사용에 적합하지만 젖어 있는 환경에 노출하지 마십시오.
- 보호 수준은 IP 54입니다.
- 오염도는 2입니다.

### 기술 지원

- 고객은 <https://www.hikmicrotech.com/en/contact-us.html> 포털에서 HIKMICRO 제품 활용에 필요한 도움을 받을 수 있습니다. 이 포털을 통해 지원 팀, 소프트웨어 및 설명서, 서비스 담당자 등에 액세스할 수 있습니다.

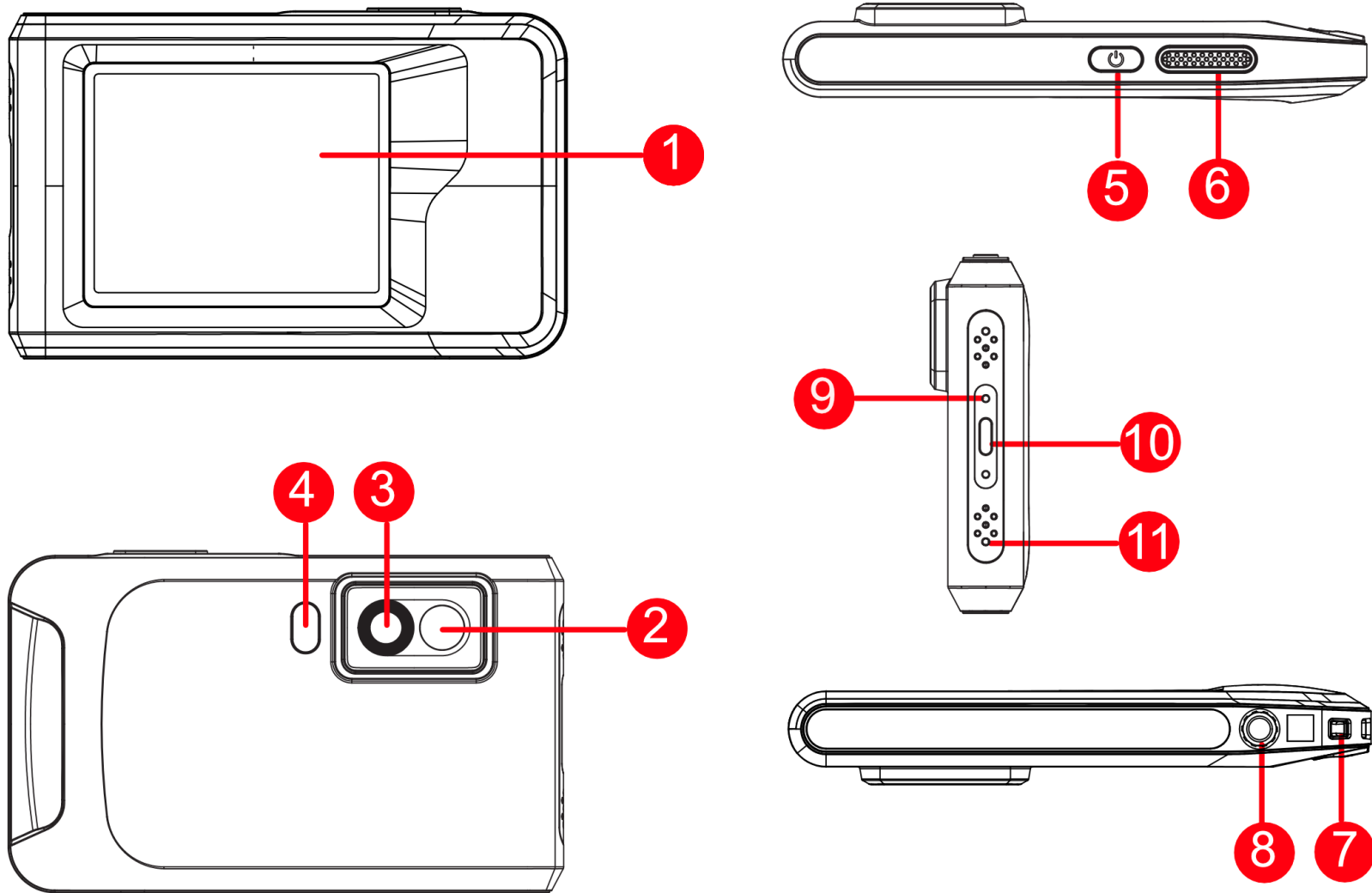
### 비상 버튼

- 장비에서 연기, 냄새 또는 소음이 발생하면 즉시 전원을 끄고 전원 케이블을 뽑은 다음 서비스 센터에 연락하십시오.

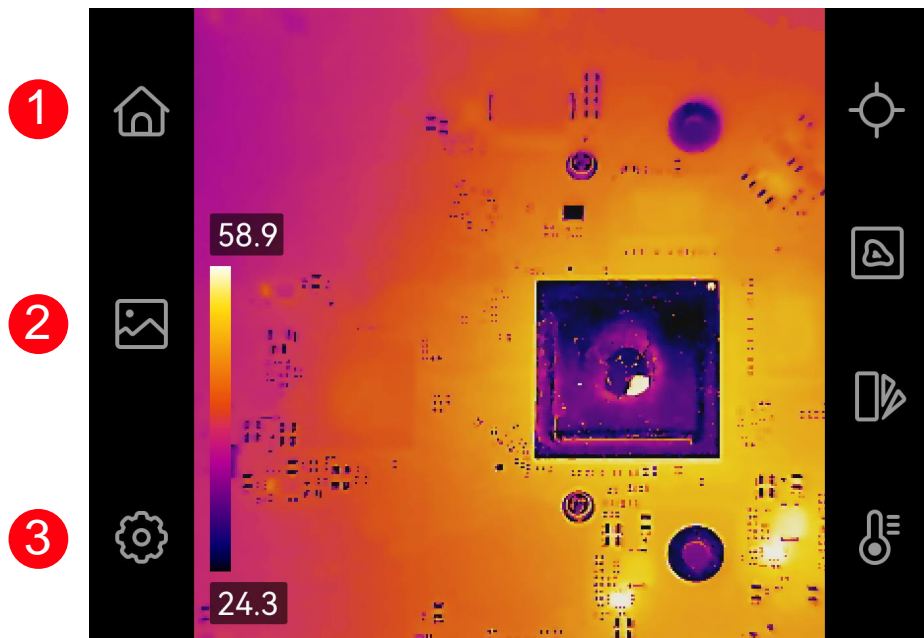
### 제조사 주소

중국저장성310052항저우빈장구시싱하위지구단평가 399 빌딩 2, B동, 룸 313  
Hangzhou Microimage Software Co., Ltd.

규정 준수 알림: 열화상 시리즈 제품은 미국, 유럽 연합, 영국 및/또는 기타 바세나르 협정국을 포함하되 이에 국한되지 않고 여러 국가 및 지역의 수출 통제 대상이 될 수 있습니다. 열화상 시리즈 제품을 국가 간 운송, 수출, 재수출하려는 경우 필요한 수출 라이선스 요구 사항에 대해 법률 또는 규정 준수 전문가 또는 해당 국가의 정부 기관에 문의하십시오.



編號	說明	功能
1	觸控螢幕	以觸控方式檢視圖像與操作裝置。
2	視覺鏡頭	檢視光學影像。
3	熱像鏡頭	檢視熱影像。
4	閃光燈	在物件上照射光線並輸出閃光警報。
5	電源鍵	按住可開啟/關閉裝置電源。
6	拍攝鍵	按下可拍攝圖像。 按住可開始錄影，再次按下可停止。
7	吊帶附接點	安裝手帶。
8	三腳架安裝	安裝三腳架。
9	充電指示燈	指示裝置的充電狀態。 <ul style="list-style-type: none"> <li>● 恆亮紅色：充電正常</li> <li>● 閃爍紅燈：充電例外狀況</li> <li>● 恆亮綠色：充滿電</li> </ul>
10	Type-C 介面	使用 Type-C 纜線為裝置充電或匯出檔案。
11	麥克風	錄音。



6 選擇區 切換熱像色盤。

7 等級與跨度 調整熱顯示的溫度範圍。

4

5 溫度測量

內建高靈敏度紅外線偵測器和高效能感測器，溫度測量範圍為  $-20\text{ }^{\circ}\text{C}$  至  $350\text{ }^{\circ}\text{C}$  ( $-4\text{ }^{\circ}\text{F}$  至

6

$662\text{ }^{\circ}\text{F}$ )，並且當環境溫度為  $15\text{ }^{\circ}\text{C}$  至  $35\text{ }^{\circ}\text{C}$  ( $59\text{ }^{\circ}\text{F}$  至  $95\text{ }^{\circ}\text{F}$ ) 且物體溫度高於  $0\text{ }^{\circ}\text{C}$

7

( $32\text{ }^{\circ}\text{F}$ ) 時，溫度測量準確度為  $\pm 2\text{ }^{\circ}\text{C}$  ( $\pm 3.6\text{ }^{\circ}\text{F}$ ) 或 2%。

#### 向下滑動選單

您可以在向下滑動選單中調整亮度，並且啟用諸如 Wi-Fi、熱點、螢幕投射、閃光燈、以及暗色/明亮模式等功能。

#### 連線客戶端軟體

您可在手機上透過 HIKMICRO Viewer 應用程式觀看即時檢視、拍攝快照、以及錄製影片。掃描封面上的 QR 代碼以下載應用程式。

您可以下載 HIKMICRO Analyzer

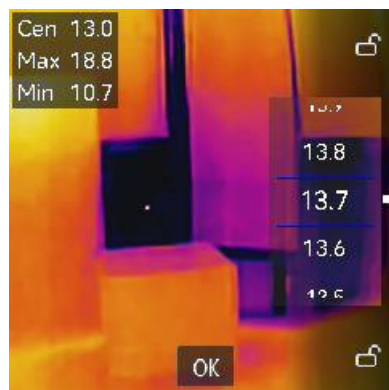
(<https://www.hikmicrotech.com/en/industrial-products/hikmicro-analyzer-software.html>) 進行專業離線圖片分析，並在 PC 上產生自訂格式報告。

編號	說明	功能
1	主畫面	輕觸可返回即時預覽。
2	相簿	進入相簿檢視拍攝的圖像和影片。
3	設定	調整裝置的本機設定。
4	測量	開啟/關閉測量工具。
5	圖像顯示模式	切換即時圖像顯示模式成熱像、視像、融合等。

## 圖像調整

等級與跨度可手動或自動調整，以達到良好的熱效應，從而提升溫差分析。

在自動模式下，裝置會自動調整溫度範圍。在手動模式下，您可以輕觸螢幕上感興趣的區域，捲動溫度滾輪以調整要顯示的溫度範圍。



**註記：**您的攝影機將定期執行自我校準以最佳化影像品質和測量準確度。在此過程中，影像會短暫暫停，當快門在偵測器前移動時，您會聽到「咔嚓」聲。當裝置進行自行校正時，螢幕中央上方會提示「校正中...」。在極冷或極熱環境中，開機期間的自我校正動作會更頻繁。這是確保攝影機達得最佳效能的正常操作部分。

## 使用手冊

如需詳細操作指導，請掃描 QR 碼取得使用手冊。



## 法律資訊

### 法律免責聲明

在適用法律允許的最大範圍內，本手冊及所描述產品，其硬體、軟體和韌體均以「現狀」提供，瑕疵錯誤概不負責。HIKMICRO 不作任何明示或暗示的保證，包括但不限於適售性、品質滿意度或適合某特定用途。您必須承擔使用本產品的風險。對於任何特殊、衍生、偶發或間接的損害，包括但不限於營業利潤損失、營業中斷，或者資料遺失、系統毀損或文件遺失，只要是基於違反合約、侵權（包括過失）、產品責任或產品使用（即使 HIKMICRO 已知悉可能有此類損害或損失），HIKMICRO 概不負責。

您了解網際網路的性質具有固有的安全風險，對於因網路攻擊、駭客攻擊、病毒感染或其他網路安全風險而造成的異常運作、隱私洩漏或其他損害，HIKMICRO 概不承擔任何責任；但 HIKMICRO 將提供及時的技術支援。

您同意依照所有適用法律使用本產品，而且您有責任確保您的使用符合適用法律。特別是，您有責任在使用本產品時不侵犯第三方權利，包括但不限於版權、知識財產權或資訊保護以及其他隱私權。您不得將本產品用於任何禁止的最終用途，包括開發或生產大規模毀滅性武器、開發或生產化學武器或生物武器，以及任何有關核爆炸或不安全核燃料循環的任何活動，或支持侵犯人權。

如果本手冊與適用法律產生任何衝突，以後者為準。

### 法規資訊

---

這些條款僅適用於帶有對應標記或資訊的產品。

---

## EU/UK 合規性聲明

 本產品及其配件 (如果有) 均會標示「CE」, 表示符合適用 Directive 2014/30/EU (EMCD)、Directive 2014/35/EU (LVD)、Directive 2011/65/EU (RoHS)、Directive 2014/53/EU 所列歐洲協調標準。

### 頻帶和功率 (適用 CE/UK)

頻帶和傳輸功率 (輻射及/或導通) 標稱限值, 適用於以下無線電設備, 如下:

Wi-Fi: 2.4 GHz ( 2.4 GHz 至 2.4835 GHz ) : 20 dBm

裝置未隨附電源變壓器時, 請使用合格製造商提供的電源變壓器。有關詳細的功率要求, 請參閱產品規格。

裝置未隨附電池時, 請使用合格製造商提供的電池。有關詳細的電池要求, 請參閱產品規格。



指令 2012/19/EU ( WEEE 指令 ) : 已標示此符號的產品在歐盟不得當成未分類的都市廢棄物處理。為了正確回收, 請在購買同等的新設備時將本產品退回當地供應商, 或將其棄置在指定的回收點。詳細資訊請參閱 [www.recyclethis.info](http://www.recyclethis.info)。



指令 2006/66/EC 及其修訂 2013/56/EU ( 電池指令 ) : 本產品內含一顆電池, 在歐盟區不能當成未分類的都市廢棄物處理。有關特定的電池資訊, 請參閱產品說明文件。已標示此符號的電池可能含有代表鎘 (Cd)、鉛 (Pb) 或汞 (Hg) 的字母。為正確回收, 請將電池送回供應商或指定的回收點。詳細資訊請參閱 [www.recyclethis.info](http://www.recyclethis.info)。

## NCC

取得審驗證明之低功率射頻器材, 非經核准, 公司、商號或使用者均不得擅自變更頻率、加大功率或變更原設計之特性及功能。

低功率射頻器材之使用不得影響飛航安全及干擾合法通信; 經發現有干擾現象時, 應立即停用, 並改善至無干擾時方得繼續使用。

前述合法通信, 指依電信管理法規定作業之無線電通信。

低功率射頻器材須忍受合法通信或工業、科學及醫療用電波輻射性電機設備之干擾。

## 安全指示

這些指示的目的在確保使用者正確使用本產品, 避免造成危險或財產損失。

## 法律和法規

- 使用本產品必須嚴格遵守當地電氣安全法規。

## 運輸

- 在運送裝置時, 請將裝置放入原本的或類似的包裝中。
- 在拆封後保留所有包裝以供將來使用。如果發生任何故障, 則需要利用原本的包裝將裝置送回工廠。未使用原本的包裝運輸可能會導致裝置損壞, 本公司概不承擔任何責任。
- 請勿使本產品掉落或遭受撞擊。請勿讓裝置受到磁性干擾。

## 電源供應

- 根據 IEC61010-1 標準, 輸入電壓應符合有限電源 (3.85 VDC, 570 mA) 的規定。如需詳細資訊, 請參閱技術規格。
- 確認已將插頭正確連接至電源插座。
- 請勿將多個裝置連接至相同電源變壓器以避免過熱, 或因過載造成火災危險。
- 請使用合格製造商提供的電源變壓器。有關詳細的功率要求, 請參閱產品規格。

## 電池

- 首次使用前, 請先替裝置充電 3 小時以上。
- 不當使用或更換電池可能會導致爆炸危險。僅以相同或同等類型取代。依照電池製造商提供的說明處理用過的電池。
- 內建電池無法拆卸。如有需要, 請聯絡製造商進行維修。
- 為了長期儲存電池, 請確保電池每半年充滿電, 以確保電池品質。否則, 可能會造成損壞。
- 使用合格製造商提供的電池。有關詳細的電池要求, 請參閱產品規格。
- 請勿將電池放在加熱或火源附近。避免陽光直射。
- 不要吞下電池以避免化學灼傷。
- 請勿將電池放在兒童接觸得到的地方。
- 當裝置電源關閉且 RTC 電池充滿時, 時間設定可保持 6 個月。
- 若是第一次使用, 請先將裝置電源關閉並充電 2.5 個小時以上。



- 電池電壓為 3.85 V，且電池容量為 2100 mAh。
- 電池通過 UL2054 認證。

### 維護

- 如果產品無法正常運作，請聯絡您的經銷商或最近的服務中心。對於因未經授權的維修或保養而造成的問題，本公司概不承擔任何責任。
- 部分裝置組件（例如電解電容）需要定期更換。平均壽命不同，因此建議定期檢查。如需詳細資訊，請聯絡您的零售商。
- 如有需要，請使用乾淨的布和少量酒精輕輕擦拭裝置。
- 如果以製造商未指定的方式使用設備，則可能會影響裝置所提供的保護。

### 校準服務

- 我們建議您每年將裝置送回校準一次，請聯絡當地經銷商取得維護點的資訊。校準服務的詳細資訊請參閱 <https://www.hikmicrotech.com/en/support/calibration-service.html>

### 使用環境

- 請勿將裝置暴露在極熱、寒冷、塵土飛揚、腐蝕性、鹽-鹼或潮濕的環境中。請確定操作環境符合裝置的需求。工作溫度應為 -10 °C 至 50 °C ( 14 °F 至 122 °F )，工作濕度應為 95% 以下。
- 將裝置放在乾燥且通風良好的環境中。
- 請勿使裝置暴露於高電磁輻射或塵土飛揚的環境中。
- 請勿將鏡頭瞄準陽光或任何其他明亮的光線。
- 使用任何雷射設備時，請確保裝置鏡頭未暴露在雷射光束中，否則可

能會燒毀。

- 裝置適合在室內和戶外使用，但請勿將其暴露在潮濕環境中。
- 保護等級為 IP 54。
- 污染等級為 2。

### 技術支援

- <https://www.hikmicrotech.com/en/contact-us.html> 入口網站可協助 HIKMICRO 客戶最有效地利用 HIKMICRO 產品。入口網站使您可以接觸我們的支援團隊、軟體和文件、服務聯絡人等。

### 緊急

- 如果裝置產生煙霧、異味或噪音，請立即關閉電源，拔除電源線，並聯絡維修中心。

### 製造地址

310052 中國浙江省杭州市濱江區西興街區丹風路 399 號 2 號樓 B 單元 313 室  
杭州微影軟件有限公司

合規性注意事項：熱像系列產品可能在不同國家或地區受到出口管制，包括但不限於美國、歐盟、英國和/或瓦森納協議的其他成員國。如果您打算在不同國家之間轉讓、出口、再出口熱像系列產品，請洽詢您的專業法律或合規性專家或地方政府機關，以瞭解任何必要的出口許可要求。



**HIKMICRO**

See the World in a New Way

Facebook: HIKMICRO Thermography

Instagram: hikmicro\_thermography

E-mail: support@hikmicrotech.com

LinkedIn: HIKMICRO

YouTube: HIKMICRO Thermography

Website: <https://www.hikmicrotech.com/>

UD32591B-A