

# B8-TURBO-T

## 2 MP ColorVu PIR Siren Audio Fixed Bullet Camera

**epcom**<sup>®</sup>  
Professional Video Surveillance Solutions

**ColorPlus**



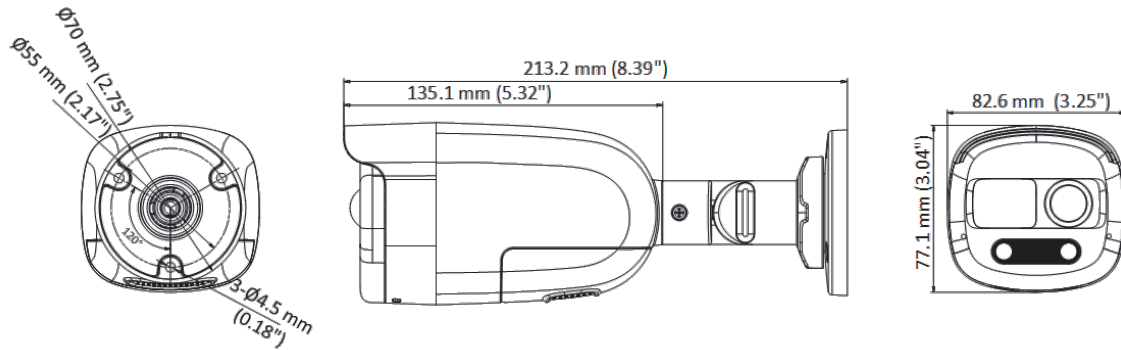
- High quality imaging with 2 MP, 1920 × 1080 resolution
- 24/7 color imaging with F1.0 aperture
- Clear imaging against strong back light due to 130 dB true WDR technology
- 3D DNR technology delivers clean and sharp images
- 2.8 mm, 3.6 mm, 6 mm fixed focal lens
- Up to 40 m white light distance for bright night imaging
- Detects human body through heat-sensitive passive infrared (PIR)
- Active strobe light and audio alarm to warn intruders off
- High quality audio with audio over coaxial cable, built-in mic, and built-in speaker
- Water and dust resistant (IP67)

# Specifications

<b>Camera</b>	
Image Sensor	2 MP CMOS
Signal System	PAL/NTSC
Resolution	1920 (H) × 1080 (V)
Frame Rate	TVI: 1080p @ 25 fps/30 fps
Min. Illumination	0.0005 Lux @ (F1.0, AGC ON), 0 Lux with white light
Shutter Time	PAL: 1/25 s to 1/50,000 s; NTSC: 1/30 s to 1/50,000 s
Slow Shutter	Max. 16 times
Lens	2.8 mm, 3.6 mm, 6 mm fixed focal lens
Field of View	2.8 mm, horizontal FOV: 98°, vertical FOV: 52°, diagonal FOV: 116° 3.6 mm, horizontal FOV: 77°, vertical FOV: 42°, diagonal FOV: 91° 6 mm, horizontal FOV: 51°, vertical FOV: 28°, diagonal FOV: 59°
Lens Mount	M12
Light Alarm	Flashing Light Alarm (Red & Blue)
Day & Night	Color
WDR (Wide Dynamic Range)	≥130 dB
Angle Adjustment	Pan: 0° to 360°, Tilt: 0° to 180°, Rotation: 0° to 360°
<b>Menu</b>	
White Light	Auto/Off
Image Mode	STD/HIGH-SAT/HIGHLIGHT
AGC	Yes
Day/Night Mode	Color
White Balance	Auto/Manual
AE (Auto Exposure) Mode	WDR, BLC, HLC, Global, HLS
Privacy Mask	4 programmable privacy masks
Motion Detection	4 programmable motion areas
Noise Reduction	3D DNR/2D DNR
Language	English
Function	Brightness, Contrast, Mirror, Defective Pixel Correction, Sharpness, Anti-Banding, Smart Light
<b>Interface</b>	
Video Output	1 HD analog output
Alarm	1 line out
Audio In	Built-in mic
<b>General</b>	
Operating Conditions	-40°C to 60°C (-40°F to 140°F), Humidity: 90% or less (non-condensing)
Power Supply	12 VDC ± 25% *You are recommended to use one power adapter to supply the power for one camera.
Consumption	Max. 11.4 W
Protection Level	IP67
Material	Front cover: Metal, Main body: Plastic
White Light Range	Up to 40 m
PIR Range	Angle: 110°, Range: 11 m
Communication	HIKVISION-C
Dimension	82.6 mm × 77.1 mm × 213.2 mm (3.25" × 3.04" × 8.39")
Weight	Approx. 467 g (1.03 lb.)

## Specifications

### ▪ Dimension



### ▪ Accessory

### ▪ Optional

DS - 1280ZJ -XS

Junction box

