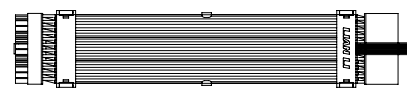
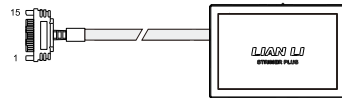


Package contents / 包裝內容物



Strimer Plus V2
24 PIN Extension 220 mm x 1 pc



Strimer L-Connect 3 controller
Output: Max. 23 W x 1 pc



Micron-B USB cable
L: 400 mm x 1 pc



Sync motherboard ARGB cable
L: 400 mm x 1 pc



white buckle x 1 pc



white buckle x 1 pc



Magnetic adhesive pad x 1 pc

Installation / 安裝

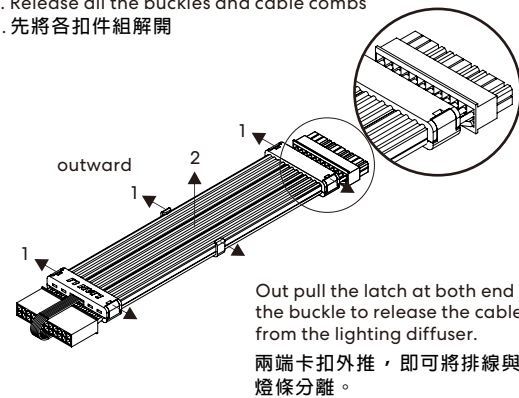


Attention! Check orientation of the MB ATX connector before installation. If in the other way, follow below instructions to change the direction.

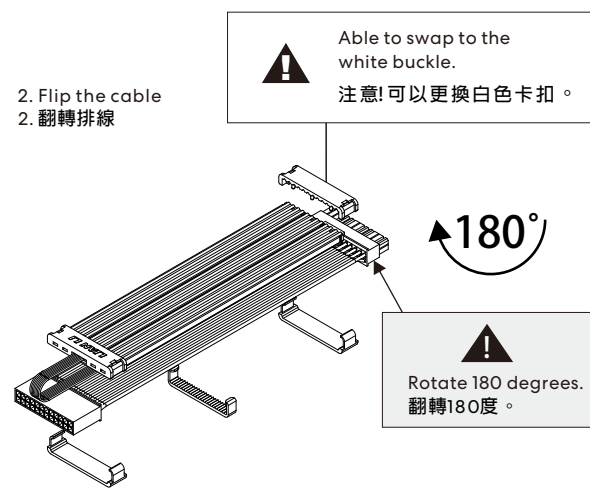
注意! 首先檢核 24 pin 線材的接頭方向是否符合所安裝的主板, 若不符合要先更換接頭方向。

3 Steps to change the direction of the connector:
更換接頭方向 3 步驟:

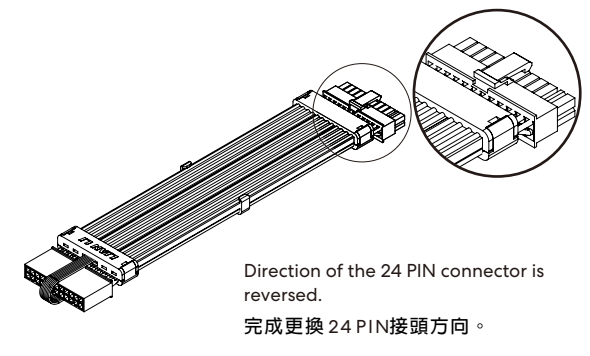
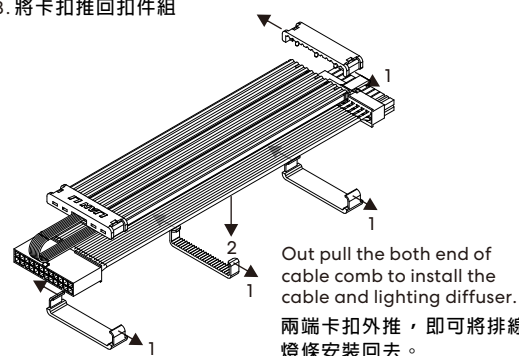
1. Release all the buckles and cable combs
1. 先將各扣件組解開



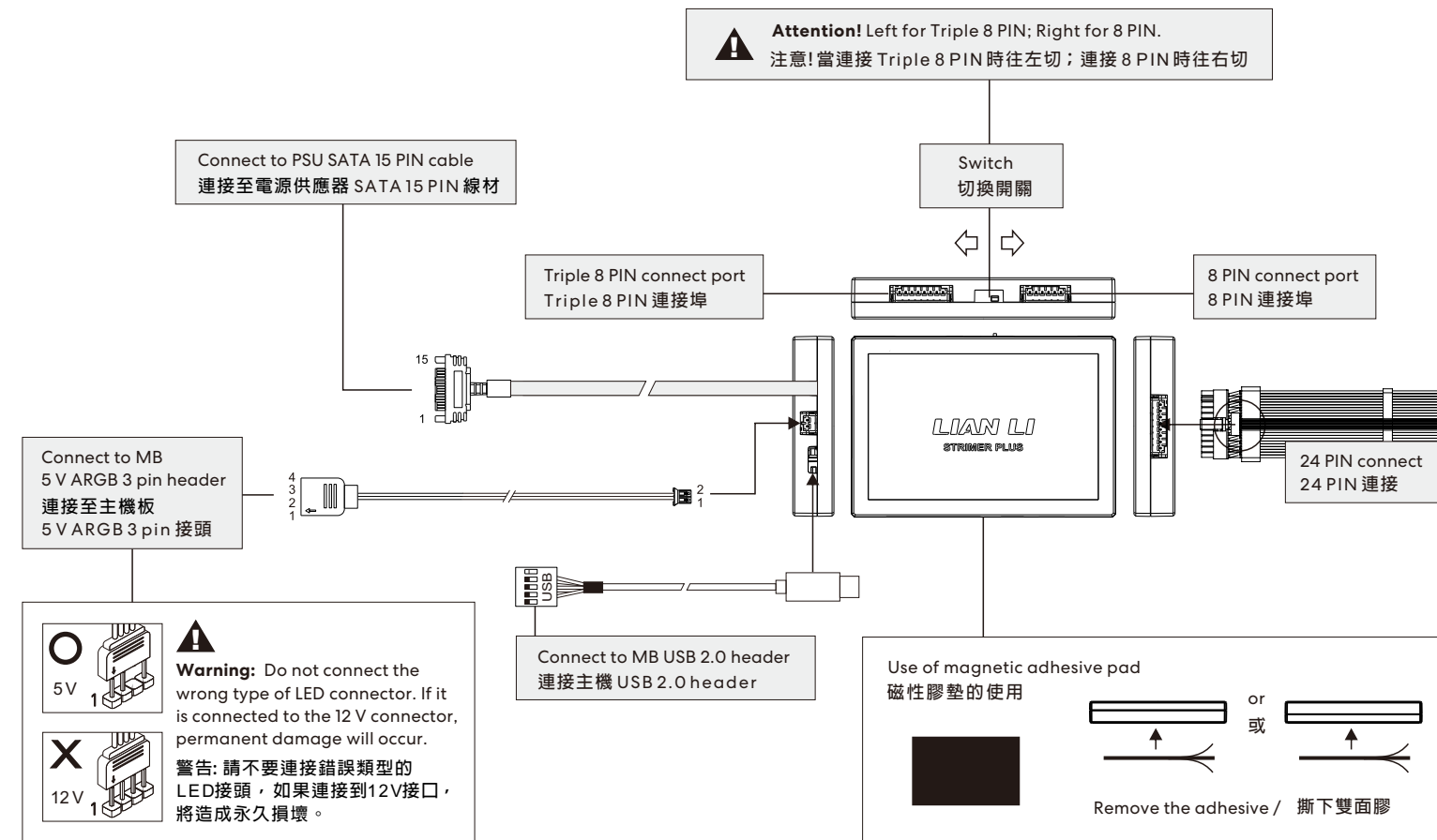
2. Flip the cable
2. 翻轉排線



3. Assemble all the buckles and cable combs
3. 將卡扣推回扣件組

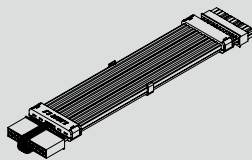


Strimer L-Connect 3 controller cables connection and operation guide / 控制盒接線與操作指南



The list of light modes / 燈光模式一覽表

Name	名稱	
1 Rainbow	1 彩虹	Individual Lighting Effect 個體燈效
2 waves	2 橫向波浪	
3 Static Color	3 定色光	
4 Breathing	4 呼吸	
5 Rainbow Morph	5 漸變彩虹	
6 snooker	6 斯諾克	
7 Mixing	7 混合	
8 Runway	8 折返	
9 Paint	9 刷油漆	
10 Ping-Pong	10 乒乓球	
11 Tide	11 潮汐	
12 Blow Up	12 爆炸火光	
13 meteors	13 流星	
14 Color Transfer	14 顏色傳遞	Complete lighting Effect 一體燈效
15 Fade Out	15 淡出	
16 Contest	16 追逐	
17 Cross Over	17 交會	
18 Bullet Stacks	18 子彈堆疊	
19 Twinkle	19 星空	
20 Parallel	20 平行線	
21 Shock Wave	21 震波	
22 Ripple	22 漣漪	
23 Voice	23 聲波	
24 Drizzling	24 細雨	



L-Connect 3 Software User Manual / 軟體使用說明

Download / 下載



L-Connect 3 Software
L-Connect 3 燈效控制軟體
<https://www.lian-li.com/L-connect3>



Strimer Plus V2 User Manual
Strimer Plus V2 使用說明書
<https://www.lian-li.com/downloads/StrimerPlusV2-manual.pdf>

Install / 安裝



Click the L-Connect 3 icon and follow the instructions to complete the installation.
點擊 L-Connect 3 圖示並依照指示即可完成安裝

Lighting effect setting page / 燈效設定頁面

a. Type of Strimer Plus
a. 燈條類別

Product & Lighting Preview
產品 & 燈效預覽

Turn on / off Hints
開啟 / 關閉提示說明

b. Lighting effect mode
b. 燈效模式

c. Personalized Color Palette
c. 個人化調色盤

d. Lighting Effect Format
d. 燈效屬性

Lighting effect setting / 燈效設定

a. Type of STRIMER PLUS a. 燈條類別

#1 24PIN Double click to customize name
點擊兩下可自定名稱



STRIMER PLUS 24 PIN and 3x8 PIN has 6 channels of LEDs (each channel with 2 diffusers)

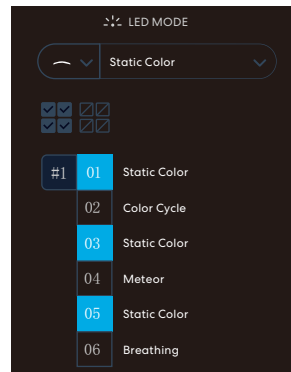
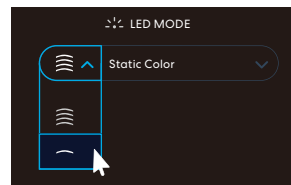
STRIMER PLUS 24 PIN 與 3x8 PIN 有 6 個 LED 燈條 (一個 LED 燈條有兩個導光條)



STRIMER PLUS 2x8 PIN has 4 channels of LEDs (each channel with 2 diffusers)

STRIMER PLUS 2x8 PIN 有 4 個 LED 燈條 (一個 LED 燈條有兩個導光條)

b. Lighting effect mode b. 燈效模式



The lighting effect has two setting modes:
燈效有兩種設定模式：

- Complete Setting
整體模式。
- Individual Setting (Individually set the lighting effect at each channel).
單條模式(可個別設定燈條的燈效)。

SELECT the channel and click apply to set the effect.
需選擇目標燈條，按下套用按鈕才會生效。

- 01-06 is the target LED channel and the current lighting effect.
01~06 為目標燈條與當前燈效名稱
- 01-06 is selected, multi-select to set lighting effect at the same time.
01~06 為選取狀態，可多選並同步設定
- Select All
選取全部項目
- Clear selections
清除所有選取項目

c. Personalized color palette c. 個人化調色盤



- Select a color from the palette, such as red.
1. 從調色盤選擇一個顏色，如紅色。
- Restore factory settings.
回復調色盤的預設值。



- The selected color on the palette will be changed while adjusting the color. The color will be saved automatically to the palette.
2. 色彩調整時，會同時改變調色盤所選的顏色；調整後自動儲存於調色盤。



- Fill in the box to set the LED color. The box number depends on the lighting effect.
3. 填入底下的燈效顏色，可填顏色數量因燈效而異。

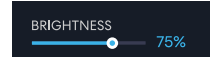


- Fill all the boxes with the selected color from the palette (e.g. Red), sync the lighting effect color; 將調色盤所選的顏色(如紅色)，同步燈效顏色。

d. Lighting Effect Format d. 燈效屬性



Lighting speed setting
燈效速度設定。



Light brightness setting.
燈光亮度設定。



Direction of lighting effect, left or right.
燈效向左或向右移動。

Apply lighting settings
套用燈效設定

Apply Apply lighting settings to the selected type of STRIMER PLUS V2. 僅套用當前選取燈條的燈效設定。

Apply To All Apply lighting settings to all the STRIMER PLUS V2 僅套用當前選取燈條的燈效設定，並同步所有 STRIMER PLUS V2。

Default Set the selected type of STRIMER PLUS V2 back to default effect. 當前選取的 STRIMER PLUS V2 燈效設定恢復預設值。

Quick sync lighting / 快速同步燈效

Quickly synchronize lighting effect settings for all products supported by L-Connect 3.
將 L-Connect 3 所支援的所有產品，快速地同步燈效設定。

ON/OFF Sync with motherboard
開啟/關閉與主機板同步

Product lighting effect preview
產品燈效預覽

Lighting effect settings
燈效設定

When synchronizing with the motherboard is turned ON, the lighting effect is controlled by the motherboard software. L-Connect3 cannot be operated at this time.
開啟與主機板同步時，燈效由主機板軟體控制，此時無法操作 L-Connect3。

Easy to sync with motherboard
易與主機板同步

Setting / 設定

- ON: Run L-Connect 3 automatically on system reboot
- OFF: Run L-Connect 3 manually on system reboot
- ON: 開機時，自動執行 L-Connect 3
- OFF: 開機時，手動執行 L-Connect 3

- ON: L-Connect 3 minimize to task bar when close
- OFF: Close L-Connect 3 when click close
- ON: 關閉視窗時，將 L-Connect3 隱藏至工作列
- OFF: 關閉視窗時，結束程式

- Language:
語言:
English / Français / Deutsch / Español / 簡體中文 / 繁體中文

Device / 裝置

Display the detected device / firmware version
Click the image to go to the product lighting effect setting page
顯示已偵測的裝置項目 / 韌體版本
點擊圖像連結至產品燈效頁面

Update / 更新

- ON: Check updates automatically
- OFF: Check updates manually
- ON: 自動通知更新項目
- OFF: 手動檢查更新

Display the software and firmware controller version status. Able to check the update, manually update, or check the version information.
顯示軟體與韌體控制器的版本狀態，可進行更新版本檢查、手動更新、查閱版本資訊。