

Self-Contained PIR Ceiling Mount Occupancy Sensor



Description

The Leviton Self-Contained PIR Ceiling Mount Occupancy Sensor (ODCOS-I) uses passive infrared (PIR) detection technology to monitor a room for occupancy through a segmented Fresnel lens. This specialized lens divides the field-of-view into sensor zones. When a person passes into or out of a sensor zone, the sensor detects motion and switches its lighting loads ON. The lights will remain ON as long as there is an occupant moving through the sensor zones.

Applications

The ODCOS-I is a cost-effective choice for commercial and institutional installations, where installation of the recessed ceiling unit is difficult, inconvenient or costly. Available in 120V, 220V and 277V versions, the ODCOS-I is ideal for:

- Storage areas
- Small bathrooms
- Retrofit
- Copy rooms
- Utility closets
- Small spaces without wall switches.

The ODCOS-I does not require an external control unit for power or switching the load ON and OFF.

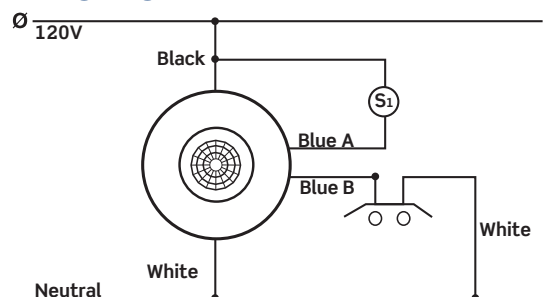
Installation

Sensor unit is in a ceiling area that provides a full view of the space with an unobstructed path to the entrance way(s), but out of line from hallway traffic. The sensor should be positioned at least 6 feet from HVAC registers to prevent false triggering. The ODCOS-I may be mounted directly to a three or four-inch octagon box. The sensor wires directly to the lighting fixtures. An ODCCG protective cage is recommended to guard against accidental breakage.

Features

- Sensor and switching relay in one unit—reduces labor and need for additional materials
- 360° field-of-view with approximately 530 sq. ft. of coverage when mounted at 8 ft. This reduces the number of additional sensors typically required in many spaces.
- Adjustable Delayed-OFF time setting between 20 seconds and 15 minutes allows custom adjustment for maximum savings
- Light Sensor - an ambient light override option can be set between 2 and 500+ foot candles and full brightness to prevent the sensor from switching lights ON when ample natural sunlight is available. Hold-OFF feature
- Segmented Fresnel lens contains 79 segments for optimum sensitivity and detection performance
- A standard A/C toggle switch may be used to provide manual-OFF override so that lights may be switched OFF
- Red LED indicator light flashes when sensor detects motion, to verify power placement and function of sensor at installation

Wiring Diagram



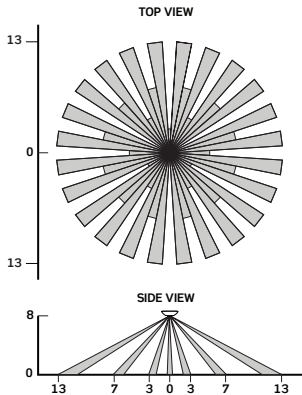
ODCOS-I1 Wiring Diagram with optional switch for override to OFF
* Same wiring for all voltages.

Leviton Manufacturing Co., Inc. Lighting & Controls

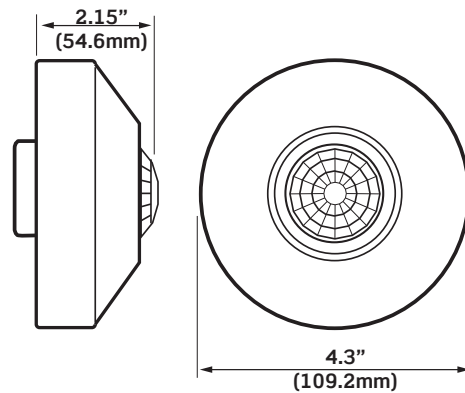
10385 SW Avery Street, Tualatin, OR 97062 tel 800-736-6682 tech line (6:00AM-4:00PM PT Mon-Fri) 800-959-6004

©2022 Leviton Manufacturing Co., Inc. All rights reserved. Subject to change without notice.

FOV Diagram



Dimensions Diagram



Specifications

Electrical	-I1W	-I2W	-I7W
Line Voltage	120V	220 - 240VAC	277V
Power Consumption	1.4W	1.31W	1.89W
Operational Frequency	60Hz	50/60Hz	60Hz
Load Rating Incandescent	1000W	1000W	1000W
Load Rating Fluorescent	1000VA	500VA	2700VA
Load Rating Motor	120V 1/4HP	—	—
Wire Designation	Line - black, Neutral - white, Load - blue		
Environmental			
Operating Temperature	32°F to 122°F (0°C to 50°C)		
Storage Temperature	14°F to 185°F (-10°C to 85°C)		
Relative Humidity	20-90% Non-condensing		
Other			
Listings	UL Listed and CSA Certified, can be used to comply with 2019 Title 24, Part 6 occupancy sensing requirements, complies with FCC regulations		
Warranty	5-Year Limited		

Ordering Information

Product Name	
Cat. No.	Description
ODC0S-I1*	Self-Contained Ceiling Mounted Occupancy Sensor & Switching Relay, 120V
ODC0S-I2*	Self-Contained Ceiling Mounted Occupancy Sensor & Switching Relay, 220-240V
ODC0S-I7*	Self-Contained Ceiling Mounted Occupancy Sensor & Switching Relay, 277V
ODCCG-000	Protective Cage

* To indicate color, add suffix to the end of the catalog number. White (-W)

Leviton Manufacturing Co., Inc. Lighting & Controls

10385 SW Avery Street, Tualatin, OR 97062 **tel** 800-736-6682 **tech line** (6:00AM-4:00PM PT Mon-Fri) 800-959-6004

Leviton Manufacturing Co., Inc. Global Headquarters

201 North Service Road, Melville, NY 11747-3138 **tel** 800-323-8920 **tech line** (8:30AM-7:00PM ET Mon-Fri) 800-824-3005

Visit our Website at: www.leviton.com/sensors

©2022 Leviton Manufacturing Co., Inc. All rights reserved. Subject to change without notice.

G-8334D/D22-aa
REV APR 2022