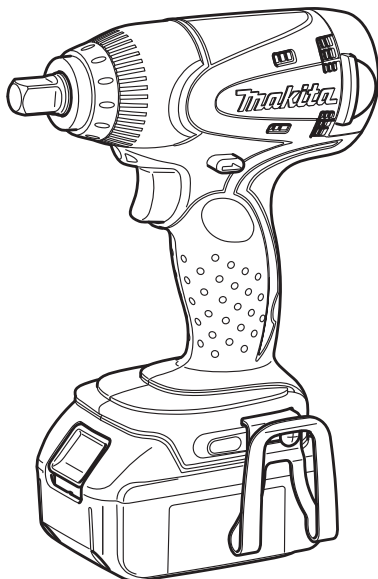
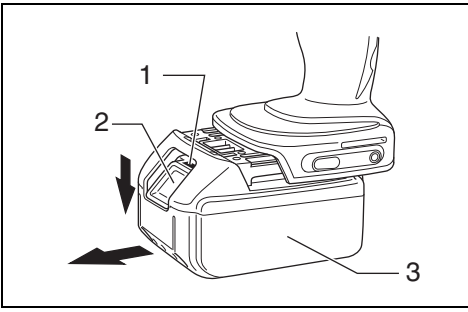




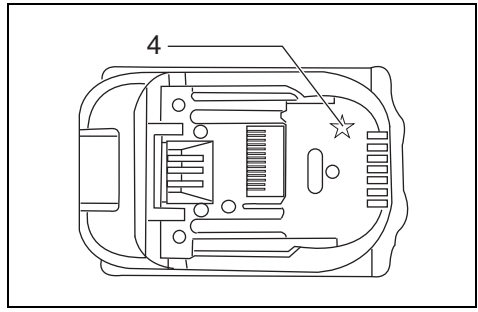
| | | |
|-----------|--|--------------------------------|
| GB | Cordless Impact Wrench | Instruction Manual |
| F | Boulonneuse sans fil | Manuel d'instructions |
| D | Akku-Schlagschrauber | Betriebsanleitung |
| I | Avvitatrice ad impulso a batteria | Istruzioni per l'uso |
| NL | Snoerloze slagmoersleutel | Gebruiksaanwijzing |
| E | Llave de impacto a batería | Manual de instrucciones |
| P | Chave de impacto a bateria | Manual de instruções |
| DK | Elektronisk akku slag nøgle | Brugsanvisning |
| GR | Ασύρματο κροστικό κλειδί | Οδηγίες χρήσεως |

DTW250
DTW251

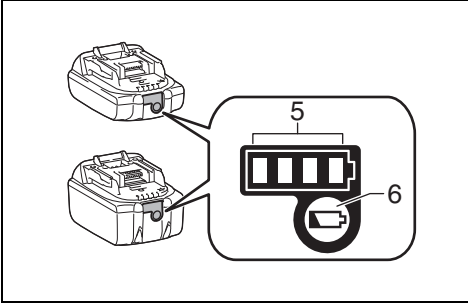




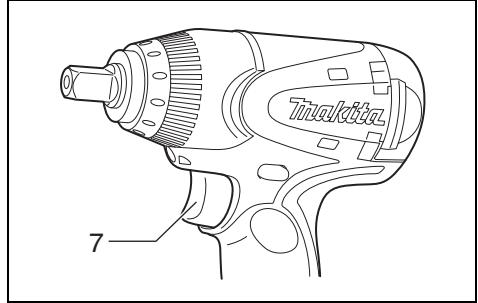
1 012090



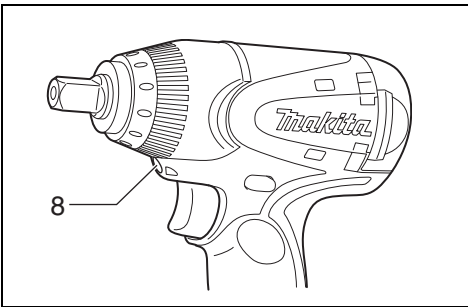
2 012128



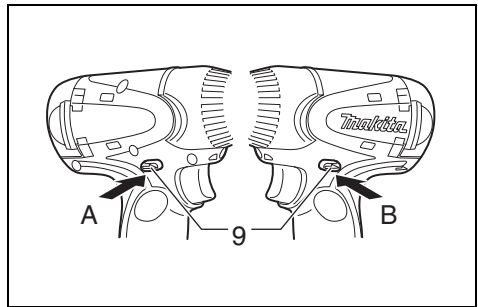
3 015659



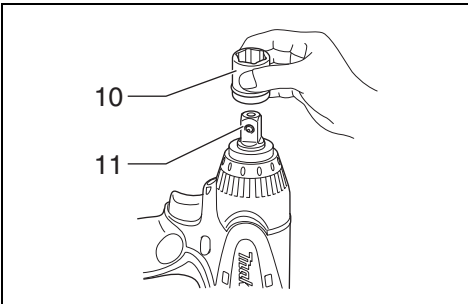
4 007452



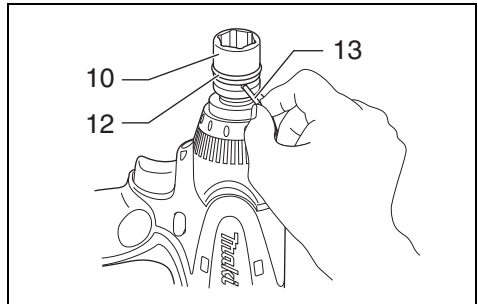
5 007462



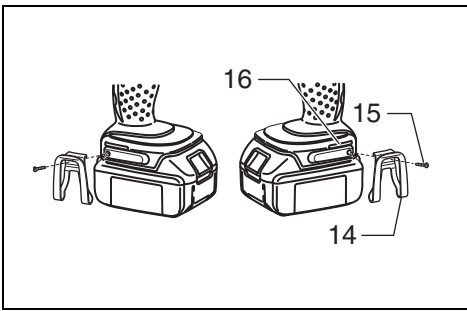
6 007453



7 007455

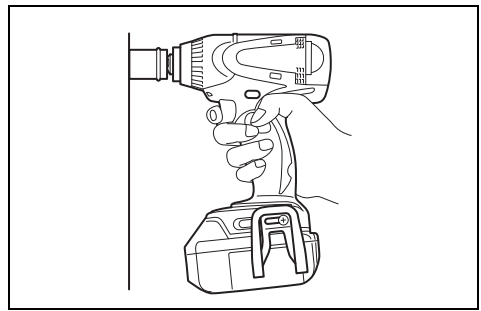


8 007454



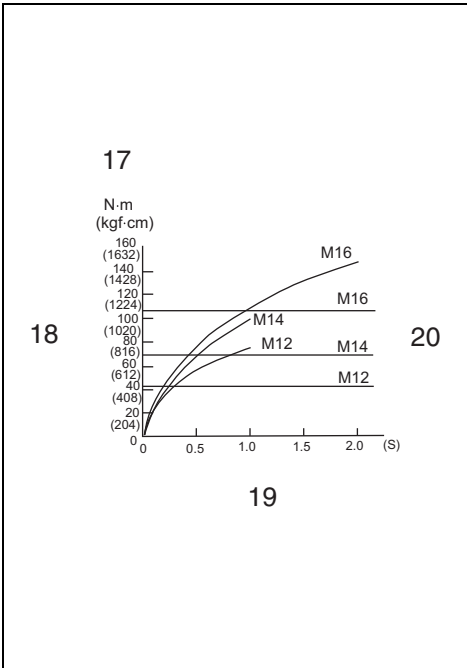
9

007521



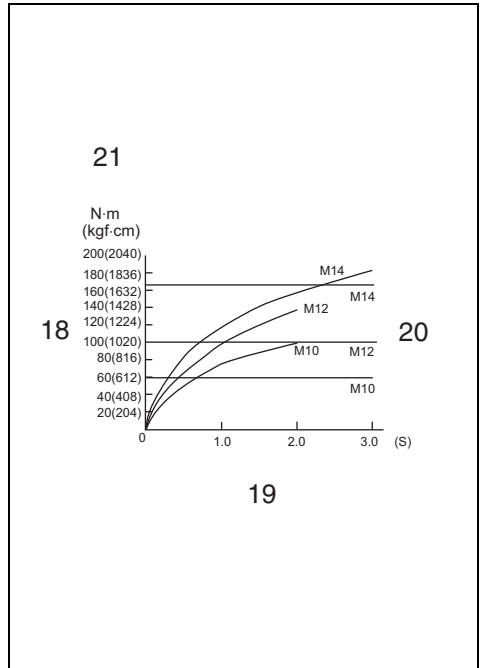
10

007461



11

007536



12

007535

Explanation of general view

| | | |
|---------------------|--------------------------|----------------------------|
| 1 Red indicator | 8 Lamp | 15 Screw |
| 2 Button | 9 Reversing switch lever | 16 Groove |
| 3 Battery cartridge | 10 Socket | 17 Standard bolt |
| 4 Star marking | 11 Anvil | 18 Fastening torque |
| 5 Indicator lamps | 12 O-ring | 19 Fastening time |
| 6 Check button | 13 Pin | 20 Proper fastening torque |
| 7 Switch trigger | 14 Hook | 21 High tensile bolt |

SPECIFICATIONS

| Model | | DTW250 | DTW251 |
|------------------------------------|-------------------|--------------|--------------|
| Capacities | Standard bolt | M10 – M16 | M10 – M16 |
| | High tensile bolt | M10 – M14 | M10 – M14 |
| Square drive | | 12.7 mm | 12.7 mm |
| No load speed (min ⁻¹) | | 0 – 2,200 | 0 – 2,100 |
| Impacts per minute | | 0 – 3,200 | 0 – 3,200 |
| Max. fastening torque | | 230 N•m | 230 N•m |
| Overall length | | 165 mm | 165 mm |
| Net weight | | 1.4 – 1.7 kg | 1.5 – 1.8 kg |
| Rated voltage | | D.C. 14.4 V | D.C. 18 V |

- Due to our continuing program of research and development, the specifications herein are subject to change without notice.
- Specifications may differ from country to country.
- The weight may differ depending on the attachment(s), including the battery cartridge. The lightest and heaviest combination, according to EPTA-Procedure 01/2014, are shown in the table.

Applicable battery cartridge and charger

| | | |
|-------------------|-------------------|---|
| Battery cartridge | D.C. 14.4 V Model | BL1415N / BL1430 / BL1430B / BL1440 / BL1450 / BL1460B |
| | D.C. 18 V Model | BL1815N / BL1820 / BL1820B / BL1830 / BL1830B / BL1840 / BL1840B / BL1850 / BL1850B / BL1860B |
| Charger | | DC18RC / DC18RD / DC18RE / DC18SD / DC18SE / DC18SF |

- Some of the battery cartridges and chargers listed above may not be available depending on your region of residence.

⚠ WARNING: Only use the battery cartridges and chargers listed above. Use of any other battery cartridges and chargers may cause injury and/or fire.

ENE036-1

GEB138-1

Intended use

The tool is intended for fastening bolts and nuts.

GEA010-2

General Power Tool Safety Warnings

⚠ WARNING Read all safety warnings, instructions, illustrations and specifications provided with this power tool. Failure to follow all instructions listed below may result in electric shock, fire and/or serious injury.

Save all warnings and instructions for future reference.

The term “power tool” in the warnings refers to your mains-operated (corded) power tool or battery-operated (cordless) power tool.

CORDLESS IMPACT WRENCH SAFETY WARNINGS

1. **Hold the power tool by insulated gripping surfaces, when performing an operation where the fastener may contact hidden wiring.** Fasteners contacting a “live” wire may make exposed metal parts of the power tool “live” and could give the operator an electric shock.
2. **Wear ear protectors.**
3. **Check the impact socket carefully for wear, cracks or damage before installation.**
4. **Hold the tool firmly.**
5. **Keep hands away from rotating parts.**
6. **Always be sure you have a firm footing. Be sure no one is below when using the tool in high locations.**

7. The proper fastening torque may differ depending upon the kind or size of the bolt. Check the torque with a torque wrench.

SAVE THESE INSTRUCTIONS.

⚠ WARNING:

DO NOT let comfort or familiarity with product (gained from repeated use) replace strict adherence to safety rules for the subject product.

MISUSE or failure to follow the safety rules stated in this instruction manual may cause serious personal injury.

ENC007-12

IMPORTANT SAFETY INSTRUCTIONS FOR BATTERY CARTRIDGE

1. Before using battery cartridge, read all instructions and cautionary markings on (1) battery charger, (2) battery, and (3) product using battery.
2. Do not disassemble battery cartridge.
3. If operating time has become excessively shorter, stop operating immediately. It may result in a risk of overheating, possible burns and even an explosion.
4. If electrolyte gets into your eyes, rinse them out with clear water and seek medical attention right away. It may result in loss of your eyesight.
5. Do not short the battery cartridge:
 - (1) Do not touch the terminals with any conductive material.
 - (2) Avoid storing battery cartridge in a container with other metal objects such as nails, coins, etc.
 - (3) Do not expose battery cartridge to water or rain.

A battery short can cause a large current flow, overheating, possible burns and even a breakdown.

6. Do not store the tool and battery cartridge in locations where the temperature may reach or exceed 50°C (122°F).
7. Do not incinerate the battery cartridge even if it is severely damaged or is completely worn out. The battery cartridge can explode in a fire.
8. Be careful not to drop or strike battery.
9. Do not use a damaged battery.
10. The contained lithium-ion batteries are subject to the Dangerous Goods Legislation requirements.

For commercial transports e.g. by third parties, forwarding agents, special requirement on packaging and labeling must be observed.

For preparation of the item being shipped, consulting an expert for hazardous material is required. Please also observe possibly more detailed national regulations.

Tape or mask off open contacts and pack up the battery in such a manner that it cannot move around in the packaging.

11. Follow your local regulations relating to disposal of battery.
12. Use the batteries only with the products specified by Makita. Installing the batteries to non-compliant products may result in a fire, excessive heat, explosion, or leak of electrolyte.

SAVE THESE INSTRUCTIONS.

⚠ CAUTION:

Only use genuine Makita batteries. Use of non-genuine Makita batteries, or batteries that have been altered, may result in the battery bursting causing fires, personal injury and damage. It will also void the Makita warranty for the Makita tool and charger.

Tips for maintaining maximum battery life

1. Charge the battery cartridge before completely discharged. Always stop tool operation and charge the battery cartridge when you notice less tool power.
2. Never recharge a fully charged battery cartridge. Overcharging shortens the battery service life.
3. Charge the battery cartridge with room temperature at 10°C – 40°C (50°F – 104°F). Let a hot battery cartridge cool down before charging it.
4. Charge the battery cartridge if you do not use it for a long period (more than six months).

FUNCTIONAL DESCRIPTION

CAUTION:

- Always be sure that the tool is switched off and the battery cartridge is removed before adjusting or checking function on the tool.

Installing or removing battery cartridge (Fig. 1)

- Always switch off the tool before installing or removing of the battery cartridge.
- To remove the battery cartridge, slide it from the tool while sliding the button on the front of the cartridge.
- To install the battery cartridge, align the tongue on the battery cartridge with the groove in the housing and slip it into place. Always insert it all the way until it locks in place with a little click. If you can see the red indicator on the upper side of the button, it is not locked completely. Install it fully until the red indicator cannot be seen. If not, it may accidentally fall out of the tool, causing injury to you or someone around you.
- Do not use force when installing the battery cartridge. If the cartridge does not slide in easily, it is not being inserted correctly.

Battery protection system (Lithium-ion battery with star marking) (Fig. 2)

Lithium-ion batteries with a star marking are equipped with a protection system. This system automatically cuts off power to the tool to extend battery life.











The tool will automatically stop during operation if the tool and/or battery are placed under one of the following conditions:

- Overloaded:
 - The tool is operated in a manner that causes it to draw an abnormally high current.
 - In this situation, release the trigger switch on the tool and stop the application that caused the tool to become overloaded. Then pull the trigger switch again to restart.
 - If the tool does not start, the battery is overheated.
 - In this situation, let the battery cool before pulling the trigger switch again.
- Low battery voltage:
 - The remaining battery capacity is too low and the tool will not operate. In this situation, remove and recharge the battery.

Indicating the remaining battery capacity (Fig. 3)

Only for battery cartridges with the indicator

Press the check button on the battery cartridge to indicate the remaining battery capacity. The indicator lamps light up for few seconds.

| Indicator lamps | | | Remaining Capacity |
|--|---|--|-------------------------------------|
|  Lighted |  Off |  Blinking | |
|  | | | 75% to 100% |
|  | | | 50% to 75% |
|  | | | 25% to 50% |
|  | | | 0% to 25% |
|  | | | Charge the battery. |
|   | | | The battery may have malfunctioned. |

015658

NOTE:

- Depending on the conditions of use and the ambient temperature, the indication may differ slightly from the actual capacity.

Switch action (Fig. 4)

CAUTION:

- Before inserting the battery cartridge into the tool, always check to see that the switch trigger actuates properly and returns to the "OFF" position when released.

To start the tool, simply pull the switch trigger. Tool speed is increased by increasing pressure on the switch trigger. Release the switch trigger to stop.

Lighting up the front lamp (Fig. 5)

CAUTION:

- Do not look in the light or see the source of light directly.

Pull the switch trigger to light up the lamp. The lamp keeps on lighting while the switch trigger is being pulled. The light automatically goes out 10 – 15 seconds after the switch trigger is released.

NOTE:

- Use a dry cloth to wipe the dirt off the lens of lamp. Be careful not to scratch the lens of lamp, or it may lower the illumination.

Reversing switch action (Fig. 6)

This tool has a reversing switch to change the direction of rotation. Depress the reversing switch lever from the A side for clockwise rotation or from the B side for counter-clockwise rotation.

When the reversing switch lever is in the neutral position, the switch trigger cannot be pulled.

CAUTION:

- Always check the direction of rotation before operation.
- Use the reversing switch only after the tool comes to a complete stop. Changing the direction of rotation before the tool stops may damage the tool.
- When not operating the tool, always set the reversing switch lever to the neutral position.

ASSEMBLY

CAUTION:

- Always be sure that the tool is switched off and the battery cartridge is removed before carrying out any work on the tool.

Selecting correct socket

Always use the correct size socket for bolts and nuts. An incorrect size socket will result in inaccurate and inconsistent fastening torque and/or damage to the bolt or nut.

Installing or removing socket (Fig. 7 & 8)

- For socket without O-ring and pin
To install the socket, push it onto the anvil of the tool until it locks into place.
To remove the socket, simply pull it off.
- For socket with O-ring and pin
Move the O-ring out of the groove in the socket and remove the pin from the socket. Fit the socket onto the anvil of the tool so that the hole in the socket is aligned with the hole in the anvil. Insert the pin through the hole in the socket and anvil. Then return the O-ring to the original position in the socket groove to retain the pin. To remove the socket, follow the installation procedures in reverse.

Hook (Fig. 9)

The hook is convenient for temporarily hanging the tool. This can be installed on either side of the tool.

To install the hook, insert it into a groove in the tool housing on either side and then secure it with a screw. To remove, loosen the screw and then take it out.

OPERATION

CAUTION:

- Always insert the battery cartridge all the way until it locks in place. If you can see the red part on the upper side of the button, it is not locked completely. Insert it fully until the red part cannot be seen. If not, it may accidentally fall out of the tool, causing injury to you or someone around you.

Hold the tool firmly and place the socket over the bolt or nut. Turn the tool on and fasten for the proper fastening time. (Fig. 10)

The proper fastening torque may differ depending upon the kind or size of the bolt, the material of the workpiece to be fastened, etc. The relation between fastening torque and fastening time is shown in Fig. 11 and Fig. 12.

NOTE:

- Hold the tool pointed straight at the bolt or nut.
- Excessive fastening torque may damage the bolt/nut or socket. Before starting your job, always perform a test operation to determine the proper fastening time for your bolt or nut.
- If the tool is operated continuously until the battery cartridge has discharged, allow the tool to rest for 15 minutes before proceeding with a fresh battery cartridge.

The fastening torque is affected by a wide variety of factors including the following. After fastening, always check the torque with a torque wrench.

1. When the battery cartridge is discharged almost completely, voltage will drop and the fastening torque will be reduced.
2. Socket
 - Failure to use the correct size socket will cause a reduction in the fastening torque.
 - A worn socket (wear on the hex end or square end) will cause a reduction in the fastening torque.
3. Bolt
 - Even though the torque coefficient and the class of bolt are the same, the proper fastening torque will differ according to the diameter of the bolt.
 - Even though the diameters of bolts are the same, the proper fastening torque will differ according to the torque coefficient, the class of bolt and the bolt length.
4. The use of the universal joint or the extension bar somewhat reduces the fastening force of the impact wrench. Compensate by fastening for a longer period of time.
5. The manner of holding the tool or the material of driving position to be fastened will affect the torque.
6. Operating the tool at low speed will cause a reduction in the fastening torque.

MAINTENANCE

CAUTION:

- Always be sure that the tool is switched off and the battery cartridge is removed before attempting to perform inspection or maintenance.
- Never use gasoline, benzine, thinner, alcohol or the like. Discoloration, deformation or cracks may result.

To maintain product SAFETY and RELIABILITY, repairs, carbon brush inspection and replacement, any other maintenance or adjustment should be performed by Makita Authorized or Factory Service Centers, always using Makita replacement parts.

OPTIONAL ACCESSORIES

CAUTION:

- These accessories or attachments are recommended for use with your Makita tool specified in this manual. The use of any other accessories or attachments might present a risk of injury to persons. Only use accessory or attachment for its stated purpose.

If you need any assistance for more details regarding these accessories, ask your local Makita Service Center.

- Sockets
- Extension bar
- Universal joint
- Bit adapter
- Various type of Makita genuine batteries and chargers

NOTE:

- Some items in the list may be included in the tool package as standard accessories. They may differ from country to country.

Noise

The typical A-weighted noise level determined according to EN62841-2-2:

Model DTW250

Sound pressure level (L_{pA}): 90 dB (A)

Sound power level (L_{WA}): 101 dB (A)

Uncertainty (K): 3 dB (A)

Model DTW251

Sound pressure level (L_{pA}): 94 dB (A)

Sound power level (L_{WA}): 105 dB (A)

Uncertainty (K): 3 dB (A)

ENG907-1

NOTE:

- The declared noise emission value(s) has been measured in accordance with a standard test method and may be used for comparing one tool with another.
- The declared noise emission value(s) may also be used in a preliminary assessment of exposure.

WARNING:

- Wear ear protection.
- The noise emission during actual use of the power tool can differ from the declared value(s) depending on the ways in which the tool is used especially what kind of workpiece is processed.
- Be sure to identify safety measures to protect the operator that are based on an estimation of exposure in the actual conditions of use (taking account of all parts of the operating cycle such as the times when the tool is switched off and when it is running idle in addition to the trigger time).

ENG900-1

Vibration

The vibration total value (tri-axial vector sum) determined according to EN62841-2-2:

Model DTW250

Work mode: impact tightening of fasteners of the maximum capacity of the tool

Vibration emission (a_{h1}): 14.5 m/s²

Uncertainty (K): 1.5 m/s²

Model DTW251

Work mode: impact tightening of fasteners of the maximum capacity of the tool

Vibration emission (a_{h1}): 11.0 m/s²

Uncertainty (K): 1.5 m/s²

ENG901-2

NOTE:

- The declared vibration total value(s) has been measured in accordance with a standard test method and may be used for comparing one tool with another.
- The declared vibration total value(s) may also be used in a preliminary assessment of exposure.

WARNING:

- The vibration emission during actual use of the power tool can differ from the declared value(s) depending on the ways in which the tool is used especially what kind of workpiece is processed.
- Be sure to identify safety measures to protect the operator that are based on an estimation of exposure in the actual conditions of use (taking account of all parts of the operating cycle such as the times when the tool is switched off and when it is running idle in addition to the trigger time).

EC DECLARATION OF CONFORMITY

For European countries only

The EC declaration of conformity is included as Annex A to this instruction manual.

Descriptif

| | | |
|--------------------------|------------------|------------------------------|
| 1 Témoin rouge | 8 Lampe | 15 Vis |
| 2 Bouton | 9 Inverseur | 16 Rainure |
| 3 Batterie | 10 Douille | 17 Boulon standard |
| 4 Marque étoilée | 11 Piton | 18 Couple de serrage |
| 5 Voyants lumineux | 12 Joint torique | 19 Temps de serrage |
| 6 Bouton de vérification | 13 Tige | 20 Couple de serrage correct |
| 7 Gâchette | 14 Crochet | 21 Boulon à haute résistance |

SPÉCIFICATIONS

| Modèle | | DTW250 | DTW251 |
|-------------------------------------|---------------------------|--------------|--------------|
| Capacités | Boulon standard | M10 – M16 | M10 – M16 |
| | Boulon à haute résistance | M10 – M14 | M10 – M14 |
| Tournevis carré | | 12,7 mm | 12,7 mm |
| Vitesse à vide (min ⁻¹) | | 0 – 2 200 | 0 – 2 100 |
| Percussions par minute | | 0 – 3 200 | 0 – 3 200 |
| Couple de serrage maxi | | 230 N•m | 230 N•m |
| Longueur hors tout | | 165 mm | 165 mm |
| Poids net | | 1,4 – 1,7 kg | 1,5 – 1,8 kg |
| Tension nominale | | 14,4 V CC | 18 V CC |

- Étant donné l'évolution constante de notre programme de recherche et de développement, les spécifications contenues dans ce manuel sont sujettes à modification sans préavis.
- Les spécifications peuvent varier suivant les pays.
- Le poids peut être différent selon les accessoires, notamment la batterie. Les associations la plus légère et la plus lourde, conformément à la procédure EPTA-01/2014, sont indiquées dans le tableau.

Batterie et chargeur applicables

| | | |
|----------|------------------|---|
| Batterie | Modèle 14,4 V CC | BL1415N / BL1430 / BL1430B / BL1440 / BL1450 / BL1460B |
| | Modèle 18 V CC | BL1815N / BL1820 / BL1820B / BL1830 / BL1830B / BL1840 / BL1840B / BL1850 / BL1850B / BL1860B |
| Chargeur | | DC18RC / DC18RD / DC18RE / DC18SD / DC18SE / DC18SF |

- Certains chargeurs et batteries répertoriés ci-dessus peuvent ne pas être disponibles selon la région où vous résidez.

⚠ AVERTISSEMENT : Utilisez uniquement les batteries et chargeurs répertoriés ci-dessus. L'utilisation de tout autre type de batterie et chargeur peut provoquer des blessures et/ou un incendie.

Utilisations

L'outil est conçu pour la fixation des boulons et des écrous.

ENE036-1

Conservez toutes les mises en garde et instructions pour référence ultérieure.

Le terme "outil électrique" dans les avertissements fait référence à l'outil électrique alimenté par le secteur (avec cordon d'alimentation) ou à l'outil électrique fonctionnant sur batterie (sans cordon d'alimentation).

GEA010-2

Consignes de sécurité générales pour outils électriques

⚠ AVERTISSEMENT Veuillez lire les consignes de sécurité, instructions, illustrations et spécifications qui accompagnent cet outil électrique. Le non-respect de toutes les instructions indiquées ci-dessous peut entraîner une électrocution, un incendie et/ou de graves blessures.

GEB138-1

CONSIGNES DE SÉCURITÉ POUR BOULONNEUSE SANS FIL

1. Tenez l'outil électrique par des surfaces de prise isolées lorsque vous effectuez une tâche au cours de laquelle la vis ou le boulon peut entrer en contact avec des fils cachés. Le contact de la vis ou du boulon avec un fil sous tension peut transmettre du courant dans les pièces métalliques exposées de l'outil et électrocuter l'opérateur.

2. Portez un casque anti-bruit.
3. Vérifiez que la douille à choc n'est pas usée, fissurée ou endommagée avant l'installation.
4. Tenez votre outil fermement.
5. Gardez les mains éloignées des pièces en rotation.
6. Ayez toujours une assise ferme sous vos pieds. Veillez à ce que personne ne se trouve en dessous de vous quand vous utilisez l'outil en hauteur.
7. Le couple de serrage correct peut varier en fonction du type ou de la dimension du boulon. Vérifiez le couple à l'aide d'une clé dynamométrique.

CONSERVEZ CES INSTRUCTIONS.

⚠ AVERTISSEMENT :

NE vous laissez PAS tromper (au fil d'une utilisation répétée) par un sentiment d'aisance et de familiarité avec le produit, en négligeant le respect rigoureux des consignes de sécurité qui accompagnent le produit en question.

La MAUVAISE UTILISATION de l'outil ou l'ignorance des consignes de sécurité indiquées dans ce mode d'emploi peut entraîner de graves blessures.

ENC007-12

CONSIGNES DE SÉCURITÉ IMPORTANTES POUR LA BATTERIE

1. Avant d'utiliser la batterie, lisez toutes les instructions et précautions relatives (1) au chargeur de batterie, (2) à la batterie, et (3) au produit utilisant la batterie.
2. Ne démontez pas la batterie.
3. Cessez immédiatement l'utilisation si le temps de fonctionnement devient excessivement court. Il y a risque de surchauffe, de brûlures, voire d'explosion.
4. Si l'électrolyte pénètre dans vos yeux, rincez-les à l'eau claire et consultez immédiatement un médecin. Il y a risque de perte de la vue.
5. Ne court-circuitez pas la batterie :
 - (1) Ne touchez les bornes avec aucun matériau conducteur.
 - (2) Évitez de ranger la batterie dans un conteneur avec d'autres objets métalliques, par exemple des clous, des pièces de monnaie, etc.
 - (3) N'exposez pas la batterie à l'eau ou à la pluie.

Un court-circuit de la batterie peut provoquer une intensité de courant élevée, une surchauffe, parfois des brûlures et même une panne.

6. Ne rangez pas l'outil et la batterie dans un endroit où la température risque d'atteindre ou de dépasser 50 °C.
7. Ne jetez pas la batterie au feu même si elle est sérieusement endommagée ou complètement épuisée. La batterie peut exploser au contact du feu.
8. Évitez de laisser tomber ou de cogner la batterie.
9. N'utilisez pas la batterie si elle est endommagée.
10. Les batteries au lithium-ion contenues sont soumises aux exigences de la législation sur les marchandises dangereuses.

Lors du transport commercial par des tiers parties ou des transitaires par exemple, des exigences spécifiques en matière d'étiquetage et d'emballage doivent être respectées.

Pour la préparation de l'article expédié, il est nécessaire de consulter un expert en matériau dangereux. Veuillez également respecter les réglementations nationales susceptibles d'être plus détaillées.

Recouvrez les contacts exposés avec du ruban adhésif ou du ruban de masquage et emballez la batterie de telle sorte qu'elle ne puisse pas bouger dans l'emballage.

11. Suivez les réglementations locales en matière de mise au rebut des batteries.
12. Utilisez les batteries uniquement avec les produits spécifiés par Makita. L'insertion de batteries dans des produits non conformes peut provoquer un incendie, une chaleur excessive, une explosion ou une fuite de l'électrolyte.

CONSERVEZ CES INSTRUCTIONS.

⚠ ATTENTION :

N'utilisez que des batteries Makita d'origine. L'utilisation de batteries de marque autre que Makita ou de batteries modifiées peut provoquer l'explosion des batteries, ce qui présente un risque d'incendie, de dommages matériels et corporels. Cela annulera également la garantie Makita pour l'outil et le chargeur Makita.

Conseils pour assurer la durée de vie optimale de la batterie

1. Chargez la batterie avant qu'elle ne soit complètement déchargée. Arrêtez toujours l'outil et rechargez la batterie quand vous remarquez que la puissance de l'outil diminue.
2. Ne rechargez jamais une batterie complètement chargée. La surcharge réduit la durée de service de la batterie.
3. Chargez la batterie à une température ambiante comprise entre 10 °C et 40 °C. Avant de charger une batterie chaude, laissez-la refroidir.
4. Rechargez la batterie si elle est restée inutilisée pendant une période prolongée (plus de six mois).

DESCRIPTION DU FONCTIONNEMENT

ATTENTION :

- Assurez-vous toujours que l'outil est hors tension et que sa batterie est retirée avant d'ajuster l'outil ou de vérifier son fonctionnement.

Installation ou retrait de la batterie (Fig. 1)

- Mettez toujours l'outil hors tension avant d'installer ou de retirer la batterie.
- Pour retirer la batterie, faites-la glisser de l'outil tout en faisant glisser le bouton à l'avant de la batterie.
- Pour installer la batterie, alignez la languette de la batterie avec la rainure située dans le carter, puis faites-la glisser en place. Insérez-la toujours à fond, jusqu'à ce qu'un léger déclic se fasse entendre. Si le témoin rouge est visible sur la face supérieure du bouton, cela signifie que la batterie n'est pas parfaitement verrouillée. Installez-la à fond, jusqu'à ce que le témoin rouge ne soit plus visible. Sinon, elle pourrait tomber accidentellement de l'outil, au risque de vous blesser ou de blesser quelqu'un se trouvant près de vous.
- N'appliquez pas une force excessive lors de l'installation de la batterie. Si la batterie ne glisse pas aisément, c'est qu'elle n'est pas insérée correctement.

Dispositif de protection de la batterie (batterie au lithium-ion avec marque étoilée) (Fig. 2)

Les batteries au lithium-ion avec une marque étoilée sont dotées d'un dispositif de protection. Ce dispositif coupe automatiquement l'alimentation de l'outil pour prolonger la durée de service de la batterie.

Si l'outil et/ou la batterie se trouve dans l'une ou l'autre des situations suivantes, l'outil cessera automatiquement de fonctionner.

• Surchargé :

L'outil est utilisé de manière telle qu'il consomme un courant anormalement élevé.

Il faut alors libérer la gâchette de l'outil et cesser l'application qui cause la surcharge. Tirez ensuite de nouveau sur la gâchette pour redémarrer.

Si l'outil ne démarre pas, cela signifie que la batterie est trop chaude. Il faut alors laisser refroidir la batterie avant de tirer de nouveau sur la gâchette.










• Faible tension de la batterie :

La charge restante de la batterie étant trop faible, l'outil ne fonctionne pas. Il faut alors retirer la batterie et la recharger.

Affichage de la charge restante de la batterie (Fig. 3)

Uniquement pour les batteries avec témoin

Appuyez sur le bouton de vérification situé sur la batterie pour afficher la charge restante de la batterie. Les voyants lumineux s'allument pendant quelques secondes.

| Voyants lumineux | | | Charge restante |
|---|--|--|---|
|  allumé |  éteint |  clignotant | |
|  | | | 75% à 100% |
|  | | | 50% à 75% |
|  | | | 25% à 50% |
|  | | | 0% à 25% |
|  | | | Chargez la batterie. |
|  | | | La batterie est probablement défectueuse. |

015658

NOTE :

- En fonction des conditions d'utilisation et de la température ambiante, la charge restante affichée peut différer légèrement de la valeur réelle.

Interrupteur (Fig. 4)

ATTENTION :

- Avant d'insérer la batterie dans l'outil, vérifiez toujours que la gâchette fonctionne correctement et qu'elle revient sur la position "OFF" quand vous la relâchez.

Pour mettre l'outil en marche, tirez simplement sur la gâchette. La vitesse de l'outil augmente quand vous augmentez la pression sur la gâchette. Pour arrêter l'outil, relâchez la gâchette.

Allumage de la lampe avant (Fig. 5)

ATTENTION :

- Évitez de regarder directement le faisceau lumineux ou sa source.

Appuyez sur la gâchette pour allumer la lampe. La lampe demeure allumée tant que la pression sur la gâchette est maintenue.

Lorsque vous relâchez la gâchette, la lumière s'éteint d'elle-même au bout de 10 à 15 secondes.

NOTE :

- Utilisez un chiffon sec pour essuyer la saleté qui recouvre la lentille de la lampe. Prenez garde de rayer la lentille de la lampe, pour éviter une diminution de l'éclairage.

Interrupteur d'action inverse (Fig. 6)

L'outil possède un inverseur qui permet d'invertir le sens de rotation. Appuyez sur l'inverseur et déplacez-le à partir du côté A pour une rotation vers la droite, ou à partir du côté B pour une rotation vers la gauche.

Lorsque l'inverseur est à la position neutre, il n'est pas possible d'actionner la gâchette.

ATTENTION :

- Vérifiez toujours le sens de rotation avant de mettre l'outil en marche.
- Attendez que l'outil soit complètement arrêté avant d'utiliser l'inverseur. Vous risquez d'endommager l'outil si vous changez le sens de rotation avant que l'outil ne soit complètement arrêté.
- Lorsque vous ne vous servez pas de l'outil, mettez toujours l'inverseur sur la position neutre.

ASSEMBLAGE

ATTENTION :

- Assurez-vous toujours que l'outil est hors tension et que la batterie est retirée avant d'effectuer tout travail sur l'outil.

Sélection de la douille

Utilisez toujours une douille de la dimension qui convient pour les boulons et les écrous. Une douille de mauvaise dimension entraînera un couple de serrage imprécis ou inadéquat et/ou endommagera le boulon ou l'écrou.

Installation et retrait de la douille (Fig. 7 et 8)

- Pour douille sans joint torique et tige
Pour installer la douille, enfoncez-la dans le piton de l'outil jusqu'à ce qu'elle se verrouille en place.
Tirez simplement sur la douille pour la retirer.
- Pour douille avec joint torique et tige
Retirez le joint torique de la rainure de la douille et retirez la tige de la douille. Insérez la douille dans le piton de l'outil de façon que l'orifice de la douille soit aligné sur l'orifice du piton. Insérez la tige dans l'orifice de la douille et dans celui du piton. Puis, ramenez le joint torique à sa position d'origine dans la rainure de la douille pour verrouiller la tige. Pour retirer la douille, procédez dans l'ordre inverse de l'installation.

Crochet (Fig. 9)

Le crochet est pratique pour accrocher temporairement l'outil. Il s'installe d'un côté comme de l'autre de l'outil. Pour installer le crochet, insérez-le dans une rainure du carter de l'outil, d'un côté ou de l'autre, puis serrez-le avec une vis. Pour le retirer, desserrez la vis puis enlevez le crochet.

FONCTIONNEMENT

ATTENTION :

- Insérez toujours la batterie à fond jusqu'à ce qu'elle se verrouille en place. Si vous pouvez voir la partie rouge du côté supérieur du bouton, cela signifie qu'elle n'est pas parfaitement verrouillée. Insérez-la à fond jusqu'à ce que la partie rouge ne soit plus visible. Sinon, elle risque de tomber accidentellement de l'outil en vous blessant ou en blessant une personne se trouvant près de vous.

Tenez l'outil fermement et placez la douille sur le boulon ou l'écrou. Mettez l'outil en marche et serrez pendant la durée de serrage appropriée. (Fig. 10)

Le couple de serrage adéquat peut varier selon le type ou la dimension du boulon, le matériau de la pièce à visser, etc. Le rapport entre le couple de serrage et le temps de serrage est indiqué à la Fig. 11 et Fig. 12.

NOTE :

- Tenez l'outil de sorte qu'il pointe bien droit vers le boulon ou l'écrou.
- Un couple de serrage excessif peut endommager le boulon, l'écrou ou la douille. Avant de commencer votre travail, effectuez toujours un test pour connaître le temps de serrage adéquat pour le boulon ou l'écrou utilisé.
- Si l'outil est utilisé de manière continue jusqu'à ce que la batterie soit déchargée, laissez-le reposer 15 minutes avant de poursuivre l'opération avec une batterie fraîche.

Le couple de serrage dépend d'un certain nombre de facteurs, comme suit. Une fois le serrage terminé, vérifiez toujours le couple avec une clé dynamométrique.

1. Lorsque la batterie est presque complètement déchargée, la tension tombera et le couple de serrage sera réduit.
2. Douille
 - L'utilisation d'une douille de mauvaise dimension entraînera une réduction du couple de serrage.
 - Une douille usée (usure sur l'extrémité hexagonale ou l'extrémité carrée) entraînera une réduction du couple de serrage.
3. Boulon
 - Même si le coefficient du couple et la catégorie du boulon sont les mêmes, le couple de serrage variera en fonction du boulon.
 - Même si les diamètres de boulon sont les mêmes, le couple de serrage variera en fonction du coefficient de couple, de la catégorie du boulon et de la longueur du boulon.
4. L'utilisation d'un joint universel ou d'une barre de rallonge réduit quelque peu la force de serrage de la boulonneuse. Compenser en serrant plus longtemps.
5. La façon dont l'outil est tenu, ainsi que la position du matériel à visser affecteront le couple.

6. Le fonctionnement de l'outil à faible vitesse entraînera une diminution du couple de serrage.

ENTRETIEN

ATTENTION :

- Assurez-vous toujours que l'outil est hors tension et que la batterie est sortie avant de procéder à son inspection ou à son entretien.
- N'utilisez jamais d'essence, benzine, diluant, alcool ou autre produit similaire. Cela risquerait de provoquer la décoloration, la déformation ou la fissuration de l'outil.

Pour maintenir la SÉCURITÉ et la FIABILITÉ du produit, les réparations, l'inspection et le remplacement des balais en carbone, ainsi que tout autre travail d'entretien ou de réglage doivent être effectués par un centre d'entretien Makita agréé, avec des pièces de rechange Makita.

ACCESSOIRES EN OPTION

ATTENTION :

- Les accessoires ou pièces supplémentaires qui suivent sont recommandés pour l'utilisation avec l'outil Makita spécifié dans ce manuel. L'utilisation de tout autre accessoire ou pièce supplémentaire peut comporter un risque de blessure. Utilisez uniquement l'accessoire ou la pièce supplémentaire dans le but spécifié.

Pour obtenir plus de détails sur ces accessoires, contactez votre Centre d'Entretien local Makita.

- Douilles
- Barre de rallonge
- Joint universel
- Adaptateur de mèche
- Les divers types de batteries et chargeurs Makita authentiques

NOTE :

- Il se peut que certains éléments de la liste soient compris dans l'emballage de l'outil en tant qu'accessoires standard. Ils peuvent varier d'un pays à l'autre.

ENG905-1

Bruit

Niveau de bruit pondéré A typique, déterminé selon EN62841-2-2 :

Modèle DTW250

Niveau de pression sonore (L_{pA}) : 90 dB (A)
Niveau de puissance sonore (L_{WA}) : 101 dB (A)
Incertitude (K) : 3 dB (A)

Modèle DTW251

Niveau de pression sonore (L_{pA}) : 94 dB (A)
Niveau de puissance sonore (L_{WA}) : 105 dB (A)
Incertitude (K) : 3 dB (A)

ENG907-1

NOTE :

- La ou les valeurs d'émission de bruit déclarées ont été mesurées conformément à la méthode de test standard et peuvent être utilisées pour comparer les outils entre eux.
- La ou les valeurs d'émission de bruit déclarées peuvent aussi être utilisées pour l'évaluation préliminaire de l'exposition.

AVERTISSEMENT :

- Portez un serre-tête antibruit.

- L'émission de bruit lors de l'usage réel de l'outil électrique peut être différente de la ou des valeurs déclarées, suivant la façon dont l'outil est utilisé, particulièrement selon le type de pièce usinée.
- Les mesures de sécurité à prendre pour protéger l'utilisateur doivent être basées sur une estimation de l'exposition dans des conditions réelles d'utilisation (en tenant compte de toutes les composantes du cycle d'utilisation, comme par exemple le moment de sa mise hors tension, lorsqu'il tourne à vide et le moment de son déclenchement).

ENG900-1

Vibrations

Valeur totale de vibrations (somme de vecteur triaxial) déterminée selon EN62841-2-2 :

Modèle DTW250

Mode de travail : Serrage avec chocs des vis correspondant à la capacité maximale de l'outil

Émission de vibrations (a_{rh}) : 14,5 m/s²

Incertitude (K) : 1,5 m/s²

Modèle DTW251

Mode de travail : Serrage avec chocs des vis correspondant à la capacité maximale de l'outil

Émission de vibrations (a_{rh}) : 11,0 m/s²

Incertitude (K) : 1,5 m/s²

ENG901-2

NOTE :

- La ou les valeurs de vibration totales déclarées ont été mesurées conformément à la méthode de test standard et peuvent être utilisées pour comparer les outils entre eux.
- La ou les valeurs de vibration totales déclarées peuvent aussi être utilisées pour l'évaluation préliminaire de l'exposition.

AVERTISSEMENT :

- L'émission de vibrations lors de l'usage réel de l'outil électrique peut être différente de la ou des valeurs déclarées, suivant la façon dont l'outil est utilisé, particulièrement selon le type de pièce usinée.
- Les mesures de sécurité à prendre pour protéger l'utilisateur doivent être basées sur une estimation de l'exposition dans des conditions réelles d'utilisation (en tenant compte de toutes les composantes du cycle d'utilisation, comme par exemple le moment de sa mise hors tension, lorsqu'il tourne à vide et le moment de son déclenchement).

DÉCLARATION DE CONFORMITÉ CE

Pour les pays d'Europe uniquement

La déclaration de conformité CE est fournie en Annexe A à ce mode d'emploi.

Übersicht

| | | |
|----------------------|---------------------------|---------------------------|
| 1 Rote Anzeige | 8 Lampe | 15 Schraube |
| 2 Entriegelungsknopf | 9 Drehrichtungsumschalter | 16 Führungsnut |
| 3 Blockakku | 10 Steckschlüsseinsatz | 17 Standardschrauben |
| 4 Sternsymbol | 11 Antriebsvierkant | 18 Anzugsmoment |
| 5 Anzeigelampen | 12 O-Ring | 19 Anzugszeit |
| 6 Prüftaste | 13 Stift | 20 Korrektes Anzugsmoment |
| 7 Ein-Aus-Schalter | 14 Haken | 21 HV-Schrauben |

TECHNISCHE DATEN

| Modell | | DTW250 | DTW251 |
|---------------------------------------|------------------|--------------|--------------|
| Arbeitsleistung | Standardschraube | M10 – M16 | M10 – M16 |
| | HV-Schraube | M10 – M14 | M10 – M14 |
| Vierkanttrieb | | 12,7 mm | 12,7 mm |
| Leerlaufdrehzahl (min ⁻¹) | | 0 – 2 200 | 0 – 2 100 |
| Schlagzahl pro Minute | | 0 – 3 200 | 0 – 3 200 |
| Max. Anzugsmoment | | 230 N•m | 230 N•m |
| Gesamtlänge | | 165 mm | 165 mm |
| Nettogewicht | | 1,4 – 1,7 kg | 1,5 – 1,8 kg |
| Nennspannung | | DC 14,4 V | DC 18 V |

- Wir behalten uns vor, Änderungen im Zuge der Entwicklung und des technischen Fortschritts ohne vorherige Ankündigung vorzunehmen.
- Die technischen Daten können von Land zu Land abweichen.
- Das Gewicht kann je nach dem Aufsatz bzw. den Aufsätzen, einschließlich des Akkus, unterschiedlich sein. Die leichteste und die schwerste Kombination nach dem EPTA-Verfahren 01/2014 sind in der Tabelle angegeben.

Zutreffende Akkus und Ladegeräte

| | | |
|-----------|---------------------------|---|
| Akku | 14,4-V-Gleichstrom-Modell | BL1415N / BL1430 / BL1430B / BL1440 / BL1450 / BL1460B |
| | 18-V-Gleichstrom-Modell | BL1815N / BL1820 / BL1820B / BL1830 / BL1830B / BL1840 / BL1840B / BL1850 / BL1850B / BL1860B |
| Ladegerät | | DC18RC / DC18RD / DC18RE / DC18SD / DC18SE / DC18SF |

- Einige der oben aufgeführten Akkus und Ladegeräte sind je nach Ihrem Wohngebiet eventuell nicht erhältlich.

⚠ WARNUNG: Verwenden Sie nur die oben aufgeführten Akkus und Ladegeräte. Bei Verwendung anderer Akkus und Ladegeräte besteht Verletzungs- und/oder Brandgefahr.

Vorgesehene Verwendung

Die Maschine ist für das Anziehen von Schrauben und Muttern vorgesehen.

ENE036-1

GEA010-2

Bewahren Sie alle Warnungen und Anweisungen für spätere Bezugnahme auf.

Der Ausdruck „Elektrowerkzeug“ in den Warnhinweisen bezieht sich auf Ihr mit Netzstrom (mit Kabel) oder Akku (ohne Kabel) betriebenes Elektrowerkzeug.

GEB138-1

Allgemeine Sicherheitswarnungen für Elektrowerkzeuge

⚠ WARNUNG Lesen Sie alle mit diesem Elektrowerkzeug gelieferten Sicherheitswarnungen, Anweisungen, Abbildungen und technischen Daten durch. Eine Missachtung der unten aufgeführten Anweisungen kann zu einem elektrischen Schlag, Brand und/oder schweren Verletzungen führen.

SICHERHEITSWARNUNGEN FÜR AKKU-SCHLAGSCHRAUBER

1. Halten Sie das Elektrowerkzeug nur an den isolierten Griffflächen, wenn Sie Arbeiten ausführen, bei denen die Gefahr besteht, dass das Befestigungselement verborgene Kabel kontaktiert. Bei Kontakt mit einem Strom führenden Kabel können die freiliegenden Metallteile des Elektrowerkzeugs ebenfalls Strom führend werden, so dass der Benutzer einen elektrischen Schlag erleiden kann.

2. Tragen Sie Gehörschützer.
3. Überprüfen Sie den Schlagsteckschlüsselein-
satz vor der Montage sorgfältig auf Verschleiß,
Risse oder Beschädigung.
4. Halten Sie das Werkzeug mit festem Griff.
5. Halten Sie Ihre Hände von rotierenden Teilen
fern.
6. Achten Sie stets auf sicheren Stand.
Vergewissern Sie sich bei Einsatz des Werk-
zeugs an hochgelegenen Arbeitsplätzen, dass
sich keine Personen darunter aufhalten.
7. Das korrekte Anzugsmoment kann je nach Art
oder Größe der Schraube unterschiedlich sein.
Überprüfen Sie das Anzugsmoment mit einem
Drehmomentschlüssel.

DIESE ANWEISUNGEN AUFBEWAHREN.

⚠️ WARNUNG:

Lassen Sie sich NICHT durch Bequemlichkeit oder
Vertrautheit mit dem Produkt (durch wiederholten
Gebrauch erworben) von der strikten Einhaltung der
Sicherheitsregeln für das vorliegende Produkt abhal-
ten.

MISSBRAUCH oder Missachtung der Sicherheitsvor-
schriften in dieser Anleitung können schwere Verlet-
zungen verursachen.

ENC007-12

WICHTIGE SICHERHEITSANWEISUNGEN FÜR AKKU

1. Lesen Sie vor der Benutzung des Akkus alle
Anweisungen und Warnhinweise, die an (1)
Ladegerät, (2) Akku und (3) Akkuwerkzeug
angebracht sind.
2. Unterlassen Sie ein Zerlegen des Akkus.
3. Falls die Betriebszeit beträchtlich kürzer
geworden ist, stellen Sie den Betrieb sofort ein.
Anderenfalls besteht die Gefahr von
Überhitzung, möglichen Verbrennungen und
sogar einer Explosion.
4. Falls Elektrolyt in Ihre Augen gelangt, waschen
Sie sie mit sauberem Wasser aus, und begeben
Sie sich unverzüglich in ärztliche Behandlung.
Anderenfalls können Sie Ihre Sehkraft verlieren.
5. Der Akku darf nicht kurzgeschlossen werden:
 - (1) Die Kontakte dürfen nicht mit leitfähigem
Material berührt werden.
 - (2) Lagern Sie den Akku nicht in einem Behälter
zusammen mit anderen
Metallgegenständen, wie z. B. Nägel,
Münzen usw.
 - (3) Setzen Sie den Akku weder Wasser noch
Regen aus.

Ein Kurzschluss des Akkus verursacht starken
Stromfluss, der Überhitzung, mögliche
Verbrennungen und einen Defekt zur Folge
haben kann.

6. Lagern Sie das Werkzeug und den Akku nicht an
Orten, an denen die Temperatur 50°C erreichen
oder überschreiten kann.
7. Versuchen Sie niemals, den Akku zu verbrennen,
selbst wenn er stark beschädigt oder
vollkommen verbraucht ist. Der Akku kann im
Feuer explodieren.
8. Achten Sie darauf, dass der Akku nicht fallen
gelassen oder Stößen ausgesetzt wird.
9. Benutzen Sie keine beschädigten Akkus.

10. Die enthaltenen Lithium-Ionen-Akkus
unterliegen den Anforderungen der
Gefahrgut-Gesetzgebung.

Für kommerzielle Transporte, z. B. durch Dritte oder
Spediteure, müssen besondere Anforderungen zu
Verpackung und Etikettierung beachtet werden.

Zur Vorbereitung des zu transportierenden Artikels
ist eine Beratung durch einen Experten für
Gefahrgut erforderlich. Bitte beachten Sie
möglicherweise ausführlichere nationale
Vorschriften.

Überleben oder verdecken Sie offene Kontakte,
und verpacken Sie den Akku so, dass er sich in der
Verpackung nicht umher bewegen kann.

11. Befolgen Sie die örtlichen Bestimmungen
bezüglich der Entsorgung von Akkus.
12. Verwenden Sie die Akkus nur mit den von Makita
angegebenen Produkten. Das Einsetzen der
Akkus in nicht konforme Produkte kann zu einem
Brand, übermäßiger Hitzebildung, einer Explosion
oder Auslaufen von Elektrolyt führen.

DIESE ANWEISUNGEN AUFBEWAHREN.

⚠️ VORSICHT:

Verwenden Sie nur Original-Makita-Akkus. Die
Verwendung von Nicht-Original-Makita-Akkus oder von
Akkus, die abgeändert worden sind, kann zum Bersten
des Akkus und daraus resultierenden Bränden,
Personenschäden und Beschädigung führen. Außerdem
wird dadurch die Makita-Garantie für das Makita-
Werkzeug und -Ladegerät ungültig.

Hinweise zur Aufrechterhaltung der maximalen Akku-Nutzungsdauer

1. Laden Sie den Akku, bevor er vollkommen
erschöpft ist. Schalten Sie das Werkzeug stets
aus, und laden Sie den Akku, wenn Sie ein
Nachlassen der Werkzeugleistung feststellen.
2. Unterlassen Sie erneutes Laden eines voll
aufgeladenen Akkus. Überladen führt zu einer
Verkürzung der Nutzungsdauer des Akkus.
3. Laden Sie den Akku bei Raumtemperatur
zwischen 10 – 40°C. Lassen Sie einen heißen
Akku abkühlen, bevor Sie ihn laden.
4. Der Akku muss geladen werden, wenn er lange
Zeit (länger als sechs Monate) nicht benutzt
wird.

FUNKTIONSBESCHREIBUNG

VORSICHT:

- Vergewissern Sie sich vor der Durchführung von Ein-
stellungen oder Funktionsprüfungen der Maschine
stets, dass die Maschine ausgeschaltet und der Akku
abgenommen ist.

Anbringen und Abnehmen des Akkus (Abb. 1)

- Schalten Sie die Maschine stets aus, bevor Sie den
Akku anbringen oder abnehmen.
- Schieben Sie den Akku zum Abnehmen von der
Maschine ab, während Sie den Knopf an der Vorder-
seite des Akkus drücken.

- Zum Einsetzen des Akkus richten Sie die Führungsfeder des Akkus auf die Nut im Werkzeuggehäuse aus und schieben den Akku hinein. Schieben Sie den Akku stets vollständig ein, bis er mit einem hörbaren Klicken einrastet. Falls die rote Anzeige an der Oberseite des Knopfes sichtbar ist, ist der Akku nicht vollständig verriegelt. Schieben Sie ihn bis zum Anschlag ein, bis die rote Anzeige nicht mehr sichtbar ist. Anderenfalls kann er aus der Maschine herausfallen und Sie oder umstehende Personen verletzen.
- Wenden Sie beim Einsetzen des Akkus keine Gewalt an. Falls der Akku nicht reibungslos hineingleitet, ist er nicht richtig ausgerichtet.

Akku-Schutzsystem (Lithium-Ionen-Akku mit Sternsymbol) (Abb. 2)

Lithium-Ionen-Akkus mit Sternsymbol sind mit einem Schutzsystem ausgestattet. Dieses System schaltet die Stromversorgung der Maschine automatisch ab, um die Akku-Lebensdauer zu verlängern.


















Die Maschine schaltet sich während des Betriebs automatisch ab, wenn Maschine und/oder Akku einer der folgenden Bedingungen unterliegen:

- Überlastung:
Die Maschine wird auf eine Weise benutzt, die eine ungewöhnlich hohe Stromaufnahme bewirkt. Lassen Sie in dieser Situation den Ein-Aus-Schalter der Maschine los, und brechen Sie die Arbeit ab, die eine Überlastung der Maschine verursacht hat. Betätigen Sie dann den Ein-Aus-Schalter erneut, um die Maschine wieder zu starten.
Falls die Maschine nicht startet, ist der Akku überhitzt. Lassen Sie den Akku in dieser Situation abkühlen, bevor Sie den Ein-Aus-Schalter erneut betätigen.
- Niedrige Akkuspannung:
Die Akku-Restkapazität ist zu niedrig, und die Maschine funktioniert nicht. Nehmen Sie in dieser Situation den Akku ab, und laden Sie ihn auf.

Anzeigen der Akku-Restkapazität (Abb. 3)

Nur für Akkus mit Anzeige

Drücken Sie die Prüftaste am Akku, um die Akku-Restkapazität anzuzeigen. Die Anzeigelampen leuchten wenige Sekunden lang auf.

| Anzeigelampen | | | Restkapazität |
|--|---|--|---|
|  Erleuchtet |  Aus |  Blinkend | |
|  | | | 75% bis 100% |
|  |  | | 50% bis 75% |
|  |  | | 25% bis 50% |
|  |  | | 0% bis 25% |
|  |  | | Den Akku aufladen. |
|  |  | | Möglicherweise liegt eine Funktionsstörung im Akku vor. |
|  |  |  | |

015658

HINWEIS:

- Abhängig von den Benutzungsbedingungen und der Umgebungstemperatur kann die Anzeige geringfügig von der tatsächlichen Kapazität abweichen.

Schalterbedienung (Abb. 4)

VORSICHT:

- Vergewissern Sie sich vor dem Einsetzen des Akkus in die Maschine stets, dass der Ein-Aus-Schalter ordnungsgemäß funktioniert und beim Loslassen in die AUS-Stellung zurückkehrt.

Zum Einschalten der Maschine drücken Sie einfach den Ein-Aus-Schalter. Die Drehzahl erhöht sich durch verstärkte Druckausübung auf den Ein-Aus-Schalter. Zum Ausschalten den Ein-Aus-Schalter loslassen.

Einschalten der Frontlampe (Abb. 5)

VORSICHT:

- Blicken Sie nicht direkt in die Lampe oder die Lichtquelle.

Betätigen Sie den Ein-Aus-Schalter, um die Lampe einzuschalten. Die Lampe bleibt erleuchtet, solange der Ein-Aus-Schalter gedrückt gehalten wird.

Die Lampe erlischt automatisch 10 – 15 Sekunden nach dem Loslassen des Ein-Aus-Schalters.

HINWEIS:

- Wischen Sie Schmutz auf der Lampenlinse mit einem trockenen Tuch ab. Achten Sie sorgfältig darauf, dass Sie die Lampenlinse nicht verkratzen, weil sich sonst die Lichtstärke verringert.

Drehrichtungsumschalter (Abb. 6)

Mit dem Drehrichtungsumschalter kann die Drehrichtung verändert werden. Für Rechtslauf drücken Sie auf die Seite A des Drehrichtungsumschalters, für Linkslauf auf die Seite B.

In Neutralstellung des Drehrichtungsumschalters kann der Ein-Aus-Schalter verriegelt werden.

VORSICHT:

- Prüfen Sie stets die Drehrichtung, bevor Sie mit der Arbeit beginnen.
- Wechseln Sie niemals die Drehrichtung, bevor der Motor zum Stillstand gekommen ist. Andernfalls kann die Maschine beschädigt werden.
- Stellen Sie den Drehrichtungsumschalter bei Nichtgebrauch der Maschine stets auf die Neutralstellung.

MONTAGE

VORSICHT:

- Vergewissern Sie sich vor der Ausführung von Arbeiten an der Maschine stets, dass die Maschine ausgeschaltet und der Akku abgenommen ist.

Wahl des korrekten Steckschlüsseinsatzes

Verwenden Sie stets einen passenden Steckschlüsseinsatz für die jeweiligen Schrauben und Muttern. Ein Steckschlüsseinsatz der falschen Größe bewirkt ein falsches und ungleichmäßiges Anzugsmoment und/oder Beschädigung der Schraube oder Mutter.

Montage und Demontage des Steckschlüsseleinsatzes (Abb. 7 u. 8)

1. Für Steckschlüsseleinsatz ohne O-Ring und Stift
Zum Anbringen den Steckschlüsseleinsatz auf den Antriebsvierkant des Werkzeugs schieben, bis es einrastet.
Zum Abnehmen den Steckschlüsseleinsatz einfach abziehen.
2. Für Steckschlüsseleinsatz mit O-Ring und Stift
Den O-Ring aus der Führungsnut im Steckschlüsseleinsatz entfernen, und den Stift aus dem Steckschlüsseleinsatz herausziehen. Den Steckschlüsseleinsatz so in den Flansch der Maschine einsetzen, dass die Bohrung im Steckschlüsseleinsatz auf die Bohrung im Antriebsvierkant ausgerichtet ist. Den Stift durch die Bohrung im Steckschlüsseleinsatz und Antriebsvierkant einführen. Dann den O-Ring wieder in die Nut des Steckschlüsseleinsatzes einsetzen, um den Stift zu arretieren. Zum Demontieren des Steckschlüsseleinsatzes ist das Montageverfahren umgekehrt anzuwenden.

Haken (Abb. 9)

Der Haken ist praktisch, um die Maschine vorübergehend aufzuhängen. Der Haken kann auf beiden Seiten der Maschine angebracht werden.

Um den Haken anzubringen, führen Sie ihn in die Führungsnut entweder auf der linken oder rechten Seite des Maschinegehäuses ein, und sichern Sie ihn dann mit einer Schraube. Um den Haken zu entfernen, lösen Sie die Schraube, und nehmen Sie dann den Haken heraus.

BETRIEB

VORSICHT:

- Schieben Sie den Akku stets vollständig ein, bis er einrastet. Wenn der rote Teil an der Oberseite des Knopfes sichtbar ist, ist der Akku nicht richtig eingerastet. Schieben Sie den Akku vollständig ein, bis der rote Teil verschwindet. Anderenfalls kann er aus dem Werkzeug herausfallen und Sie oder umstehende Personen verletzen.

Halten Sie das Werkzeug mit festem Griff, und setzen Sie den Steckschlüsseleinsatz auf die Schraube oder Mutter. Schalten Sie das Werkzeug ein, und ziehen Sie die Schraube oder Mutter mit der korrekten Anzugszeit an. (Abb. 10)

Das korrekte Anzugsmoment hängt u.a. von der Art oder Größe der Schrauben oder der Art der zu verschraubenden Materialien ab. Die Beziehung zwischen Anzugsmoment und Anzugszeit ist in **Abb. 11** und **Abb. 12**.

HINWEIS:

- Halten Sie die Maschine gerade auf die Schraube oder Mutter gerichtet.
- Ein zu hohes Anzugsmoment kann zu einer Beschädigung der Schraube/Mutter oder des Steckschlüssels führen. Führen Sie vor Arbeitsbeginn stets eine Probeverschraubung durch, um die geeignete Anzugszeit für die jeweilige Schraube oder Mutter zu ermitteln.
- Wenn die Maschine im Dauerbetrieb bis zur vollkommenen Entladung des Akkus benutzt wurde, lassen Sie die Maschine vor dem Fortsetzen des Betriebs mit einem frischen Akku 15 Minuten lang ruhen.

Das Anzugsmoment unterliegt einer Reihe von Einflüssen, einschließlich der folgenden. Überprüfen Sie das Anzugsmoment nach dem Anziehen stets mit einem Drehmomentschlüssel.

1. Wenn der Akku nahezu erschöpft ist, fällt die Spannung ab, und das Anzugsmoment verringert sich.
2. Steckschlüsseleinsatz
 - Die Verwendung eines Steckschlüsseleinsatzes der falschen Größe bewirkt eine Verringerung des Anzugsmoments.
 - Ein abgenutzter Steckschlüsseleinsatz (Verschleiß am Sechskant- oder Vierkantende) verursacht eine Verringerung des Anzugsmoments.
3. Schraube
 - Selbst wenn der Drehmoment-Koeffizient und der Typ der Schraube gleich sind, ändert sich das Anzugsmoment je nach dem Durchmesser der Schraube.
 - Selbst wenn Schrauben den gleichen Durchmesser haben, ist das korrekte Anzugsmoment je nach Drehmoment-Koeffizient, Typ und Länge der Schraube unterschiedlich.
4. Durch den Gebrauch des Gelenkaufsatzes oder des Verlängerungsstücks verringert sich die Anzugsleistung des Schlagschraubers etwas. Kompensieren Sie diesen Effekt durch eine etwas längere Anzugszeit.
5. Die Art und Weise, wie das Werkzeug oder das Material der Verschraubungsposition gehalten wird, beeinflusst das Anzugsmoment.
6. Der Betrieb des Werkzeugs mit einer niedrigen Drehzahl hat eine Reduzierung des Anzugsmoments zur Folge.

WARTUNG

VORSICHT:

- Vergewissern Sie sich vor der Durchführung von Inspektions- oder Wartungsarbeiten stets, dass die Maschine ausgeschaltet und der Akku abgenommen ist.
- Verwenden Sie auf keinen Fall Benzin, Benzol, Verdünnern, Alkohol oder dergleichen. Solche Mittel können Verfärbung, Verformung oder Rissbildung verursachen.

Um die SICHERHEIT und ZUVERLÄSSIGKEIT dieses Produkts aufrechtzuerhalten, sollten Reparaturen, Überprüfung und Austausch der Kohlebürsten und andere Wartungs- oder Einstellarbeiten nur von Makita-Vertragswerkstätten oder Makita-Kundendienstzentren unter ausschließlicher Verwendung von Makita-Originalersatzteilen ausgeführt werden.

SONDERZUBEHÖR

VORSICHT:

- Die folgenden Zubehörteile oder Vorrichtungen werden für den Einsatz mit der in dieser Anleitung beschriebenen Makita-Maschine empfohlen. Die Verwendung anderer Zubehörteile oder Vorrichtungen kann eine Verletzungsgefahr darstellen. Verwenden Sie Zubehörteile oder Vorrichtungen nur für ihren vorgesehenen Zweck.

Wenn Sie weitere Einzelheiten bezüglich dieser Zubehörteile benötigen, wenden Sie sich bitte an Ihre Makita-Kundendienststelle.

- Steckschlüsseleinsätze

- Verlängerungsstücke
- Gebrauch des Gelenkaufsatzes
- Einsatzadapter
- Verschiedene Original-Makita-Akkus und -Ladegeräte

HINWEIS:

- Manche Teile in der Liste können als Standardzubehör im Werkzeugsatz enthalten sein. Sie können von Land zu Land unterschiedlich sein.

ENG905-1

Geräusch

Typischer A-bewerteter Geräuschpegel ermittelt gemäß EN62841-2-2:

Modell DTW250

Schalldruckpegel (L_{pA}): 90 dB (A)
 Schalleistungspegel (L_{WA}): 101 dB (A)
 Ungewissheit (K): 3 dB (A)

Modell DTW251

Schalldruckpegel (L_{pA}): 94 dB (A)
 Schalleistungspegel (L_{WA}): 105 dB (A)
 Ungewissheit (K): 3 dB (A)

ENG907-1

HINWEIS:

- Der (Die) angegebene(n) Schallemissionswert(e) wurde(n) im Einklang mit der Standardprüfmethode gemessen und kann (können) für den Vergleich zwischen Werkzeugen herangezogen werden.
- Der (Die) angegebene(n) Schallemissionswert(e) kann (können) auch für eine Vorbewertung des Gefährdungsgrads verwendet werden.

WARNUNG:

- Einen Gehörschutz tragen.
- Die Schallemission während der tatsächlichen Benutzung des Elektrowerkzeugs kann je nach der Benutzungsweise des Werkzeugs, und speziell je nach der Art des bearbeiteten Werkstücks, von dem (den) angegebenen Wert(en) abweichen.
- Identifizieren Sie Sicherheitsmaßnahmen zum Schutz des Benutzers anhand einer Schätzung des Gefährdungsgrads unter den tatsächlichen Benutzungsbedingungen (unter Berücksichtigung aller Phasen des Arbeitszyklus, wie z. B. Ausschalt- und Leerlaufzeiten des Werkzeugs zusätzlich zur Betriebszeit).

ENG900-1

Vibration

Vibrationsgesamtwert (Drei-Achsen-Vektorsumme) ermittelt gemäß EN62841-2-2:

Modell DTW250

Arbeitsmodus: Schlagschrauben von Befestigungsteilen der maximalen Kapazität der Maschine
 Vibrationsemission (a_h): 14,5 m/s²
 Ungewissheit (K): 1,5 m/s²

Modell DTW251

Arbeitsmodus: Schlagschrauben von Befestigungsteilen der maximalen Kapazität der Maschine
 Vibrationsemission (a_h): 11,0 m/s²
 Ungewissheit (K): 1,5 m/s²

HINWEIS:

- Der (Die) angegebene(n) Vibrationsgesamtwert(e) wurde(n) im Einklang mit der Standardprüfmethode gemessen und kann (können) für den Vergleich zwischen Werkzeugen herangezogen werden.
- Der (Die) angegebene(n) Vibrationsgesamtwert(e) kann (können) auch für eine Vorbewertung des Gefährdungsgrads verwendet werden.

WARNUNG:

- Die Vibrationsemission während der tatsächlichen Benutzung des Elektrowerkzeugs kann je nach der Benutzungsweise des Werkzeugs, und speziell je nach der Art des bearbeiteten Werkstücks, von dem (den) angegebenen Emissionswert(en) abweichen.
- Identifizieren Sie Sicherheitsmaßnahmen zum Schutz des Benutzers anhand einer Schätzung des Gefährdungsgrads unter den tatsächlichen Benutzungsbedingungen (unter Berücksichtigung aller Phasen des Arbeitszyklus, wie z. B. Ausschalt- und Leerlaufzeiten des Werkzeugs zusätzlich zur Betriebszeit).

EG-KONFORMITÄTSERKLÄRUNG

Nur für europäische Länder

Die EG-Konformitätserklärung ist als Anhang A in dieser Bedienungsanleitung enthalten.

Visione generale

| | | |
|------------------------|------------------------------|---------------------------------|
| 1 Indicatore rosso | 8 Lampadina | 15 Vite |
| 2 Bottone | 9 Interruttore di inversione | 16 Scanalatura |
| 3 Cartuccia batteria | 10 Presa | 17 Bullone standard |
| 4 Marchio di stella | 11 Incudine | 18 Coppia di serraggio |
| 5 Spie | 12 Anello ad O | 19 Tempo di serraggio |
| 6 Bottone di controllo | 13 Perno | 20 Coppia di serraggio corretta |
| 7 Interruttore | 14 Gancio | 21 Bullone altamente tensile |

DATI TECNICI

| Modello | | DTW250 | DTW251 |
|---------------------------------------|---------------------------|--------------|--------------|
| Capacità | Bullone standard | M10 – M16 | M10 – M16 |
| | Bullone altamente tensile | M10 – M14 | M10 – M14 |
| Trasmissione quadra | | 12,7 mm | 12,7 mm |
| Velocità a vuoto (min ⁻¹) | | 0 – 2.200 | 0 – 2.100 |
| Numero colpi/min. | | 0 – 3.200 | 0 – 3.200 |
| Coppia di serraggio max. | | 230 N•m | 230 N•m |
| Lunghezza totale | | 165 mm | 165 mm |
| Peso netto | | 1,4 – 1,7 kg | 1,5 – 1,8 kg |
| Tensione nominale | | C.c. 14,4 V | C.c. 18 V |

- Questi dati sono soggetti a modifiche senza avviso a causa del nostro programma di ricerca e sviluppo continui.
- I dati tecnici potrebbero differire a seconda del paese di destinazione del modello.
- Il peso può variare a seconda dell'accessorio o degli accessori, inclusa la cartuccia della batteria. La combinazione più leggera e quella più pesante, in base alla Procedura EPTA 01/2014, sono indicate nella tabella.

Cartuccia batteria e caricatore applicabili

| | | |
|--------------------|-----------------------|---|
| Cartuccia batteria | Modello a C.c. 14,4 V | BL1415N / BL1430 / BL1430B / BL1440 / BL1450 / BL1460B |
| | Modello a C.c. 18 V | BL1815N / BL1820 / BL1820B / BL1830 / BL1830B / BL1840 / BL1840B / BL1850 / BL1850B / BL1860B |
| Caricatore | | DC18RC / DC18RD / DC18RE / DC18SD / DC18SE / DC18SF |

- Alcune delle cartucce batterie e dei caricatori elencati sopra potrebbero non essere disponibili, a seconda della propria area geografica di residenza.

⚠ AVVERTIMENTO: utilizzare solo le cartucce batterie e i caricatori elencati sopra. L'utilizzo di cartucce batterie e caricatori diversi potrebbe causare lesioni personali e/o incendi.

Utilizzo previsto

L'utensile è progettato per il serraggio dei bulloni e dadi.

ENE036-1

GEA010-2

Conservare tutte le avvertenze e le istruzioni come riferimento futuro.

Il termine "utensile elettrico" nelle avvertenze si riferisce sia all'utensile elettrico (cablato) nel funzionamento alimentato da rete elettrica che all'utensile elettrico (a batteria) nel funzionamento alimentato a batteria.

Avvertenze generali relative alla sicurezza dell'utensile elettrico

⚠ AVVERTIMENTO Leggere tutte le avvertenze di sicurezza, le istruzioni, le illustrazioni e i dati tecnici forniti con il presente utensile elettrico. La mancata osservanza di tutte le istruzioni elencate di seguito potrebbe risultare in scosse elettriche, incendi e/o gravi lesioni personali.

AVVERTENZE PER LA SICUREZZA DELL'AVVITATRICE AD IMPULSO A BATTERIA

1. Tenere l'utensile elettrico per le sue superfici di impugnatura isolate, quando si intende eseguire un'operazione in cui un elemento di fissaggio potrebbe fare contatto con fili elettrici nascosti. Gli elementi di fissaggio che fanno contatto con un filo elettrico sotto tensione potrebbero mettere sotto tensione le parti metalliche esposte dell'utensile elettrico, e potrebbero dare una scossa elettrica all'operatore.
2. Indossare protezioni per le orecchie.
3. Prima dell'installazione, controllare con cura che la bussola a impatto non presenti segni di usura, spaccature o danni.
4. Tenere l'utensile ben fermo in mano.
5. Tenere le mani lontane dalle parti rotanti.
6. Accertarsi sempre di appoggiare i piedi saldamente.
Quando si intende utilizzare l'utensile in posizioni elevate, accertarsi sempre che non sia presente alcuna persona sotto.
7. La coppia di serraggio corretta potrebbe variare a seconda del tipo e delle dimensioni del bullone. Controllare la coppia con una chiave torquemetrica.

CONSERVARE LE PRESENTI ISTRUZIONI.

⚠ AVVERTIMENTO:

NON lasciare che la comodità o la familiarità d'uso con il prodotto (acquisita con l'uso ripetuto) sostituiscano la stretta osservanza delle norme di sicurezza. L'USO IMPROPRIO o la mancata osservanza delle norme di sicurezza riportate nel presente manuale di istruzioni potrebbero causare lesioni personali gravi.

ENC007-12

ISTRUZIONI DI SICUREZZA IMPORTANTI PER LA CARTUCCIA DELLA BATTERIA

1. Prima di utilizzare la cartuccia della batteria, leggere tutte le istruzioni e le avvertenze riportate (1) sul caricabatteria, (2) sulla batteria e (3) sul prodotto che utilizza la batteria.
2. Non smontare la cartuccia della batteria.
3. Qualora il tempo di utilizzo si riduca eccessivamente, interrompere immediatamente l'utilizzo dell'utensile. In caso contrario, si può incorrere nel rischio di surriscaldamento, possibili ustioni e persino un'esplosione.
4. Qualora l'elettrolita entri in contatto con gli occhi, sciacquarli con acqua pulita e richiedere immediatamente assistenza medica. Questa eventualità può risultare nella perdita della vista.
5. Non cortocircuitare la cartuccia della batteria:
 - (1) Non toccare i terminali con alcun materiale conduttivo.
 - (2) Evitare di conservare la cartuccia della batteria in un contenitore insieme ad altri oggetti metallici quali chiodi, monete, e così via.
 - (3) Non esporre la cartuccia della batteria all'acqua o alla pioggia.

Un cortocircuito della batteria può causare un grande flusso di corrente, un surriscaldamento, possibili ustioni e persino un guasto.

6. Non conservare l'utensile e la cartuccia della batteria in ubicazioni in cui la temperatura possa raggiungere o superare i 50°C.
7. Non incenerire la cartuccia della batteria anche qualora sia gravemente danneggiata o completamente esaurita. La cartuccia della batteria può esplodere se a contatto con il fuoco.
8. Fare attenzione a non far cadere e a non colpire la batteria.
9. Non utilizzare una batteria danneggiata.
10. Le batterie a ioni di litio contenute sono soggette ai requisiti del regolamento sul trasporto di merci pericolose (Dangerous Goods Legislation).
Per trasporti commerciali, ad esempio da parte di terzi o spedizionieri, è necessario osservare dei requisiti speciali sull'imballaggio e sull'etichetta. Per la preparazione dell'articolo da spedire, è richiesta la consulenza di un esperto in materiali pericolosi. Attenersi anche alle normative nazionali, che potrebbero essere più dettagliate.
Nastrare o coprire i contatti aperti e imballare la batteria in modo tale che non si possa muovere liberamente all'interno dell'imballaggio.
11. Attenersi alle normative locali relative allo smaltimento della batteria.
12. Utilizzare le batterie esclusivamente con i prodotti specificati da Makita. L'installazione delle batterie in prodotti non compatibili potrebbe risultare in incendi, calore eccessivo, esplosioni o perdite di liquido elettrolitico.

CONSERVARE LE PRESENTI ISTRUZIONI.

⚠ ATTENZIONE:

Utilizzare solo batterie originali Makita. L'utilizzo di batterie Makita non originali, o di batterie che siano state alterate, potrebbe risultare nello scoppio della batteria, causando incendi, lesioni personali e danni. Inoltre, ciò potrebbe invalidare la garanzia Makita per l'utensile e il caricabatteria Makita.

Suggerimenti per preservare la durata massima della batteria

1. Caricare la cartuccia della batteria prima che si scarichi completamente. Smettere sempre di utilizzare l'utensile e caricare la cartuccia della batteria quando si nota che la potenza dell'utensile è diminuita.
2. Non ricaricare mai una cartuccia della batteria completamente carica. La sovraccarica riduce la vita utile della batteria.
3. Caricare la cartuccia della batteria a una temperatura ambiente compresa tra 10°C e 40°C. Lasciar raffreddare una cartuccia della batteria prima di ricaricarla.
4. Caricare la cartuccia della batteria se non la si è utilizzata per un periodo di tempo prolungato (più di sei mesi).

DESCRIZIONE FUNZIONALE

ATTENZIONE:

- Accertarsi sempre che l'utensile sia spento e che la batteria sia stata rimossa prima di regolare o di controllare il funzionamento dell'utensile.

Installazione o rimozione della batteria (Fig. 1)

- Spegnerne sempre l'utensile prima di inserire o di rimuovere la cartuccia batteria.

- Per rimuovere la cartuccia batteria, ritrarla dall'utensile spingendo il bottone sulla parte anteriore della cartuccia batteria.
- Per installare la cartuccia batteria, allineare l'appendice sulla cartuccia batteria con la scanalatura dell'alloggiamento e inserirla in posizione. Inserirla sempre completamente finché non si blocca con un piccolo scatto. Se si vede l'indicatore rosso sulla parte superiore del bottone, vuol dire che non è bloccata completamente. Installarla completamente finché non si vede più l'indicatore rosso. In caso contrario, potrebbe cadere dall'utensile con pericolo di ferite per l'operatore o per chi gli è vicino.
- Per installare la cartuccia batteria non bisogna usare forza. Se la cartuccia batteria non entra facilmente, vuol dire che non viene inserita correttamente.

Sistema di protezione batteria (batteria agli ioni di litio con marchio di stella) (Fig. 2)

Le batterie agli ioni di litio con il marchio di una stella sono dotate di un sistema di protezione. Questo sistema interrompe automaticamente la corrente all'utensile per estendere la vita della batteria.

L'utensile si arresta automaticamente mentre funziona se esso o la batteria vengono a trovarsi in una delle condizioni seguenti:

- Sovraccarico:
L'utensile viene usato in un modo che causa un assorbimento di corrente anormalmente alto. In tal caso, rilasciare l'interruttore sull'utensile e interrompere l'applicazione che ha causato il sovraccarico. Schiacciare poi di nuovo l'interruttore per riavviare l'utensile.
Se l'utensile non si avvia, vuol dire che la batteria è surriscaldata. In tal caso, lasciare raffreddare la batteria prima di schiacciare di nuovo l'interruttore.
- Bassa tensione della batteria:
La capacità restante della batteria è troppo bassa e l'utensile non funziona. In tal caso, rimuovere e ricaricare la batteria.

Indicazione della capacità restante della batteria (Fig. 3)

Solo per cartucce delle batterie dotate di indicatore

Premere il bottone di controllo sulla cartuccia batteria per visualizzare la capacità restante della batteria. Le spie si accendono per pochi secondi.

| Spie | | | Capacità restante |
|-----------|--------|--------------|-----------------------|
| Accesa | Spenta | Lampeggiante | |
| ■ ■ ■ ■ ■ | | | dal 75% al 100% |
| ■ ■ ■ □ | | | dal 50% al 75% |
| ■ ■ □ □ | | | dal 25% al 50% |
| ■ □ □ □ | | | dal 0% al 25% |
| ◻ | ◻ | ◻ | Caricare la batteria. |

| Spie | | | Capacità restante |
|---------|--------|--------------|---|
| Accesa | Spenta | Lampeggiante | |
| ■ | □ | ◻ | Si potrebbe essere verificato un malfunzionamento della batteria. |
| ■ ■ □ □ | □ □ | ■ ■ | |

015658

NOTA:

- A seconda delle condizioni d'utilizzo e della temperatura ambiente, l'indicazione potrebbe differire leggermente dalla capacità reale.

Azionamento dell'interruttore (Fig. 4)

ATTENZIONE:

- Prima di inserire la cartuccia batteria nell'utensile, accertarsi sempre che il grilletto dell'interruttore funzioni correttamente e torni sulla posizione "OFF" quando viene rilasciato.

Per avviare l'utensile, schiacciare semplicemente il grilletto dell'interruttore. La velocità dell'utensile aumenta con l'aumento della pressione sul grilletto dell'interruttore. Rilasciare il grilletto dell'interruttore per fermare l'utensile.

Accensione della lampadina anteriore (Fig. 5)

ATTENZIONE:

- Non guardare direttamente la luce della lampadina.

Schiacciare l'interruttore per accendere la lampadina. La lampadina rimane accesa per tutto il tempo che l'interruttore è schiacciato.

La lampadina si spegne automaticamente 10 – 15 secondi dopo che si è rilasciato l'interruttore.

NOTA:

- Usare un panno asciutto per pulire la lente della lampadina. Fare attenzione a non graffiare la lente della lampadina, perché si potrebbe ridurre l'illuminazione.

Azionamento dell'interruttore di inversione (Fig. 6)

Questo utensile è dotato di un interruttore di inversione, per cambiare la direzione di rotazione. Schiacciare la leva dell'interruttore di inversione dal lato A per la rotazione in senso orario, oppure dal lato B per la rotazione in senso antiorario.

Quando la leva dell'interruttore di inversione si trova sulla posizione neutra non è possibile schiacciare il grilletto dell'interruttore.

ATTENZIONE:

- Controllare sempre la direzione di rotazione prima di usare l'utensile.
- Usare l'interruttore di inversione soltanto dopo che l'utensile si è arrestato completamente. Il cambiamento della direzione di rotazione prima dell'arresto dell'utensile potrebbe danneggiarlo.
- Posizionare sempre la leva dell'interruttore di inversione sulla posizione neutra quando non si usa l'utensile.

MONTAGGIO

ATTENZIONE:

- Accertarsi sempre che l'utensile sia spento e che la batteria sia stata rimossa prima di qualsiasi intervento sull'utensile.

Selezione della presa corretta

Usare sempre la presa di dimensioni corrette per i bulloni e i dadi. Una presa di dimensioni sbagliate potrebbe produrre una coppia di serraggio imprecisa e inconsistente e/o danneggiare il bullone o il dado.

Installazione o rimozione della presa (Fig. 7 e 8)

1. Per una presa senza anello ad O e perno
Per installare la presa, spingerla nell'incudine dell'utensile finché non si blocca in posizione.
Per rimuovere la presa, tirarla semplicemente via.
2. Per una presa con anello ad O e perno
Spostare l'anello ad O fuori dalla scanalatura della presa, e togliere il perno dalla presa. Montare la presa sulla testata dell'utensile in modo che il foro della presa sia allineato con il foro della testata. Inserire il perno nel foro della presa e della testata. Rimettere poi l'anello ad O nella sua posizione originale nella scanalatura della presa, per bloccare il perno. Per rimuovere la presa, seguire il procedimento opposto di installazione.

Gancio (Fig. 9)

Il gancio è comodo per appendere temporaneamente l'utensile. Esso può essere installato su uno dei due lati dell'utensile.

Per installare il gancio, inserirlo nella scanalatura su uno dei due lati dell'alloggiamento dell'utensile e fissarlo poi con una vite. Per rimuoverlo, svitare la vite e toglierlo via.

FUNZIONAMENTO

ATTENZIONE:

- Inserire sempre completamente la cartuccia batteria finché non si blocca in posizione. Sulla parte superiore del bottone si può vedere la parte rossa, se non è bloccata completamente. Inserirla completamente finché non si vede più la parte rossa. In caso contrario, potrebbe cadere accidentalmente fuori dall'utensile, causando lesioni all'operatore o a chi è vicino.

Tenere saldamente l'utensile e mettere la chiave sopra il bullone o dado. Accendere l'utensile e stringere con il tempo di serraggio corretto. (Fig. 10)

La coppia di serraggio corretta potrebbe differire secondo il tipo o le dimensioni dei bulloni, il materiale del pezzo da fissare, ecc. Il rapporto tra la coppia e il tempo di serraggio è mostrato nella Fig. 11 e Fig. 12.

NOTA:

- Mantenere diritto l'utensile sul bullone o dado.
- Una coppia di serraggio eccessiva potrebbe danneggiare il bullone/dado o la presa. Prima di cominciare il lavoro, fare sempre una prova per determinare il tempo di serraggio corretto per il bullone o dado.
- Se si fa funzionare continuamente l'utensile finché la batteria si scarica, lasciarlo riposare per 15 minuti prima di continuare il lavoro con una nuova batteria.

Ci sono vari fattori che influenzano la coppia di serraggio, compresi quelli seguenti. Dopo il serraggio, controllare sempre la coppia con una chiave torsionometrica.

1. Quando la cartuccia batteria è quasi completamente scarica, la tensione cala e la coppia di serraggio si riduce.
2. Presa
 - La coppia di serraggio si riduce se non si usa una presa con le dimensioni corrette.
 - La coppia di serraggio si riduce se si usa una presa usurata (usura dell'estremità esagonale o quadrata).
3. Bullone
 - Anche se il coefficiente di coppia e la classe del bullone sono gli stessi, la coppia di serraggio corretta differisce secondo il diametro del bullone.
 - Anche se il diametro dei bulloni è lo stesso, la coppia di serraggio corretta differisce secondo il coefficiente di coppia, la classe e la lunghezza del bullone.
4. L'uso del giunto universale o della barra di prolunga riduce alquanto la forza della avvitatrice a impatto. Compensare con un tempo di serraggio più lungo.
5. La coppia potrebbe essere influenzata dal modo di tenere l'utensile o dal pezzo da fissare.
6. La coppia di serraggio si riduce se si fa funzionare l'utensile a una bassa velocità.

MANUTENZIONE

ATTENZIONE:

- Prima di cercare di eseguire l'ispezione o la manutenzione, assicuratevi sempre che essa sia spenta e che la batteria sia rimossa.
- Mai usare benzina, benzene, solventi, alcol e altre sostanze simili. Potrebbero causare scolorimenti, deformazioni o crepe.

Per preservare la SICUREZZA e l'AFFIDABILITÀ del prodotto, le riparazioni, l'ispezione e la sostituzione delle spazzole in carbonio e qualsiasi altro intervento di manutenzione o di regolazione devono essere eseguiti da un centro di assistenza autorizzato Makita, utilizzando sempre ricambi Makita.

ACCESSORI OPZIONALI

ATTENZIONE:

- In questo manuale si consiglia di usare questi accessori o ricambi Makita. L'impiego di altri accessori o ricambi potrebbe costituire un pericolo di lesioni. Usare esclusivamente gli accessori o ricambi per il loro scopo specificato.

Per maggiori dettagli riguardo a questi accessori, rivolgersi a un centro di assistenza Makita.

- Prese
- Barra di prolunga
- Giunto universale
- Adattatore punta
- Vari tipi di batterie e caricatori genuini Makita

NOTA:

- Alcuni articoli nella lista potrebbero essere inclusi nell'imballaggio dell'utensile come accessori standard. Essi potrebbero differire da Paese a Paese.

Rumore

Il tipico livello di rumore pesato A determinato secondo EN62841-2-2:

Modello DTW250

Livello pressione sonora (L_{pA}): 90 dB (A)

Livello potenza sonora (L_{WA}): 101 dB (A)

Incertezza (K): 3 dB (A)

Modello DTW251

Livello pressione sonora (L_{pA}): 94 dB (A)

Livello potenza sonora (L_{WA}): 105 dB (A)

Incertezza (K): 3 dB (A)

NOTA:

- Il valore o i valori dichiarati delle emissioni di rumori sono stati misurati in conformità a un metodo standard di verifica, e possono essere utilizzati per confrontare un utensile con un altro.
- Il valore o i valori dichiarati delle emissioni di rumori possono venire utilizzati anche per una valutazione preliminare dell'esposizione.

AVVERTIMENTO:

- Indossare protezioni per le orecchie.
- L'emissione di rumori durante l'utilizzo effettivo dell'utensile elettrico può variare rispetto al valore o ai valori dichiarati, a seconda dei modi in cui viene utilizzato l'utensile e specialmente a seconda di che tipo di pezzo venga lavorato.
- Accertarsi di identificare misure di sicurezza per la protezione dell'operatore che siano basate su una stima dell'esposizione nelle condizioni effettive di utilizzo (tenendo conto di tutte le parti del ciclo operativo, ad esempio del numero di spegnimenti dell'utensile e di quando giri a vuoto, oltre al tempo di attivazione).

Vibrazione

Il valore totale di vibrazione (somma vettore triassiale) determinato secondo EN62841-2-2:

Modello DTW250

Modalità operativa: serraggio a impulsi dei dispositivi di fissaggio della capacità massima dell'utensile

Emissione di vibrazione (a_{h1}): 14,5 m/s²

Incertezza (K): 1,5 m/s²

Modello DTW251

Modalità operativa: serraggio a impulsi dei dispositivi di fissaggio della capacità massima dell'utensile

Emissione di vibrazione (a_{h1}): 11,0 m/s²

Incertezza (K): 1,5 m/s²

NOTA:

- Il valore o i valori complessivi delle vibrazioni dichiarati sono stati misurati in conformità a un metodo standard di verifica, e possono essere utilizzati per confrontare un utensile con un altro.
- Il valore o i valori complessivi delle vibrazioni dichiarati possono venire utilizzati anche per una valutazione preliminare dell'esposizione.

AVVERTIMENTO:

- L'emissione delle vibrazioni durante l'utilizzo effettivo dell'utensile elettrico può variare rispetto al valore o ai valori dichiarati, a seconda dei modi in cui viene utilizzato l'utensile, specialmente a seconda di che tipo di pezzo venga lavorato.
- Accertarsi di identificare misure di sicurezza per la protezione dell'operatore che siano basate su una stima dell'esposizione nelle condizioni effettive di utilizzo (tenendo conto di tutte le parti del ciclo operativo, ad esempio del numero di spegnimenti dell'utensile e di quando giri a vuoto, oltre al tempo di attivazione).

DICHIARAZIONE DI CONFORMITÀ CE**Solo per i paesi europei**

La dichiarazione di conformità CE è inclusa come Allegato A al presente manuale di istruzioni.

Verklaring van algemene gegevens

| | | |
|--------------------|--------------------|-------------------------------|
| 1 Rood aanduiding | 8 Lamp | 15 Schroef |
| 2 Knop | 9 Omkeerschakelaar | 16 Groef |
| 3 Accu | 10 Sok | 17 Standaardbout |
| 4 Stermarkering | 11 Draaistuk | 18 Aantrekkoppel |
| 5 Spanningslampjes | 12 O-ring | 19 Aantrektijd |
| 6 Controletoets | 13 Pen | 20 Juist aantrekkoppel |
| 7 Trekschakelaar | 14 Haak | 21 Bout met hoge trekvastheid |

TECHNISCHE GEGEVENS

| Model | | DTW250 | DTW251 |
|---|----------------------------|--------------|--------------|
| Capaciteiten | Standaardbout | M10 – M16 | M10 – M16 |
| | Bout met hoge trekvastheid | M10 – M14 | M10 – M14 |
| Vierkant | | 12,7 mm | 12,7 mm |
| Toerental onbelast (min ⁻¹) | | 0 – 2 200 | 0 – 2 100 |
| Aantal slagen per minuut | | 0 – 3 200 | 0 – 3 200 |
| Maximaal aantrekkoppel | | 230 N•m | 230 N•m |
| Totale lengte | | 165 mm | 165 mm |
| Netto gewicht | | 1,4 – 1,7 kg | 1,5 – 1,8 kg |
| Nominale spanning | | D.C. 14,4 V | D.C. 18 V |

- In verband met ononderbroken research en ontwikkeling behouden wij ons het recht voor bovenstaande technische gegevens te wijzigen zonder voorafgaande kennisgeving.
- De technische gegevens kunnen van land tot land verschillen.
- Het gewicht kan verschillen, afhankelijk van de hulpstukken, inclusief de accu. De lichtste en zwaarste combinatie, overeenkomstig de EPTA-procedure 01/2014, worden aangegeven in de tabel.

Toepasselijke accu en acculader

| | | |
|-----------|---|---|
| Accu | Model D.C. 14,4 V | BL1415N / BL1430 / BL1430B / BL1440 / BL1450 / BL1460B |
| | Model D.C. 18 V | BL1815N / BL1820 / BL1820B / BL1830 / BL1830B / BL1840 / BL1840B / BL1850 / BL1850B / BL1860B |
| Acculader | DC18RC / DC18RD / DC18RE / DC18SD / DC18SE / DC18SF | |

- Sommige van de hierboven vermelde accu's en acculaders zijn mogelijk niet verkrijgbaar, afhankelijk van het gebied waarin u woont.

⚠ WAARSCHUWING: Gebruik uitsluitend de hierboven vermelde accu's en acculaders. Als u enige andere accu of acculader gebruikt, kan dat leiden tot letsel en/of brand.

Doeleinden van gebruik

Dit gereedschap is bedoeld voor het vastdraaien van bouten en moeren.

ENE036-1

Bewaar alle waarschuwingen en instructies om in de toekomst te kunnen raadplegen.

De term “elektrisch gereedschap” in de veiligheidsvoorschriften duidt op gereedschappen die op stroom van het lichtnet werken (met snoer) of gereedschappen met een accu (snoerloos).

GEA010-2

Algemene veiligheids waarschuwingen voor elektrisch gereedschap

⚠ WAARSCHUWING! Lees alle veiligheids waarschuwingen, aanwijzingen, afbeeldingen en technische gegevens behorend bij dit elektrische gereedschap aandachtig door. Als u niet alle onderstaande aanwijzingen naleeft, kan dat resulteren in brand, elektrische schokken en/of ernstig letsel.

VEILIGHEIDSWAARSCHUWINGEN VOOR EEN ACCUSLAGMOERSLEUTEL

- Houd elektrisch gereedschap vast bij het geïsoleerde oppervlak van de handgrepen wanneer u werkt op plaatsen waar het bevestigingsmateriaal in aanraking kan komen met verborgen bedrading. Wanneer bevestigingsmaterialen in aanraking komen met onder spanning staande draden, zullen de niet-geïsoleerde metalen delen van het gereedschap onder spanning komen te staan zodat de gebruiker een elektrische schok kan krijgen.
- Draag oorbeschermers.**
- Controleer de slagdop nauwkeurig op slijtage, scheuren of beschadiging alvorens deze op het gereedschap te monteren.**
- Houd het gereedschap stevig vast.
- Houd uw handen uit de buurt van draaiende onderdelen.
- Zorg ervoor dat u stevig staat op een vast ondergrond.
Bij gebruik van het gereedschap op een hoge plaats dient u ervoor te zorgen dat niemand beneden u aanwezig is.
- Het juiste aandraaimoment kan verschillen afhankelijk van de soort en maat van de bout. Controleer het aandraaimoment met een momentsleutel.

BEWAAR DEZE VOORSCHRIFTEN.

⚠ WAARSCHUWING:

Laat u NIET misleiden door een vals gevoel van comfort en bekendheid met het gereedschap (na veelvuldig gebruik) en neem alle veiligheidsvoorschriften van het betreffende gereedschap altijd strikt in acht. **VERKEERD GEBRUIK** of het niet naleven van de veiligheidsvoorschriften in deze gebruiksaanwijzing kan leiden tot ernstige verwondingen.

ENC007-12

BELANGRIJKE VEILIGHEIDSIINSTRUCTIES VOOR EEN ACCU

- Lees alle voorschriften en waarschuwingen op (1) de acculader, (2) de accu, en (3) het product waarvoor de accu wordt gebruikt, alvorens de accu in gebruik te nemen.
- Neem de accu niet uit elkaar.
- Als de gebruikstijd van een opgeladen accu aanzienlijk korter is geworden, moet u het gebruik ervan onmiddellijk stopzetten. Voortgezet gebruik kan oververhitting, brandwonden en zelfs een ontploffing veroorzaken.
- Als elektrolyt in uw ogen is terechtgekomen, spoelt u uw ogen met schoon water en roept u onmiddellijk de hulp van een dokter in. Elektrolyt in de ogen kan blindheid veroorzaken.
- Vorkom kortsluiting van de accu:
 - Raak de accuklemmen nooit aan met een geleidend materiaal.
 - Bewaar de accu niet in een bak waarin andere metalen voorwerpen zoals spijkers, munten e.d. worden bewaard.
 - Stel de accu niet bloot aan water of regen.

Kortsluiting van de accu kan oorzaak zijn van een grote stroomafgifte, oververhitting, brandwonden, en zelfs defecten.

- Bewaar het gereedschap en de accu niet op plaatsen waar de temperatuur kan oplopen tot 50°C of hoger.
- Werp de accu nooit in het vuur, ook niet wanneer hij zwaar beschadigd of volledig versleten is. De accu kan ontploffen in het vuur.
- Wees voorzichtig dat u de accu niet laat vallen en hem niet blootstelt aan schokken of stoten.
- Gebruik nooit een beschadigde accu.
- De bijgeleverde lithium-ionbatterijen zijn onderhevig aan de vereisten in de wetgeving omtrent gevaarlijke stoffen.
Voor commercieel transport en dergelijke door derden en transporteurs moeten speciale vereisten ten aanzien van verpakking en etikettering worden nageleefd.
Als voorbereiding van het artikel dat wordt getransporteerd is het noodzakelijk een expert op het gebied van gevaarlijke stoffen te raadplegen. Houd u tevens aan mogelijk strengere nationale regelgeving.
Blootliggende contactpunten moeten worden afgedekt met tape en de accu moet zodanig worden verpakt dat deze niet kan bewegen in de verpakking.
- Volg bij het weggooien van de accu de plaatselijke voorschriften.
- Gebruik de accu's uitsluitend met de gereedschappen die door Makita zijn aanbevolen. Als de accu's worden aangebracht in niet-compatibele gereedschappen, kan dat leiden tot brand, buitensporige warmteontwikkeling, een explosie of lekkage van elektrolyt.

BEWAAR DEZE INSTRUCTIES.

⚠ LET OP:

Gebruik uitsluitend originele Makita accu's. Het gebruik van niet-originele accu's, of accu's die zijn gewijzigd, kan ertoe leiden dat de accu ontploft en brand, persoonlijk letsel en schade veroorzaakt. Ook vervalt daarmee de garantie van Makita op het gereedschap en de lader van Makita.

Tips voor een maximale levensduur van de accu

- Laad de accu op voordat hij volledig ontladen is. Stop het gebruik van het gereedschap en laad de accu op telkens wanneer u vaststelt dat het vermogen van het gereedschap is afgenomen.
- Laad een volledig opgeladen accu nooit opnieuw op. Te lang opladen verkort de levensduur van de accu.
- Laad de accu op bij een omgevingstemperatuur tussen 10°C en 40°C. Laat een warme accu afkoelen alvorens hem op te laden.
- Laad de accu op als u deze gedurende een lange tijd (meer dan zes maanden) niet gaat gebruiken.

BESCHRIJVING VAN DE FUNCTIES

LET OP:

- Zorg altijd dat het gereedschap is uitgeschakeld en de accu ervan is verwijderd alvorens de functies op het gereedschap af te stellen of te controleren.

Installeren of verwijderen van de accu (Fig. 1)

- Schakel het gereedschap altijd uit alvorens de accu te installeren of te verwijderen.
- Om de accu uit het gereedschap te halen, verschuift u de knop op de voorkant van de accu en trekt u de accu eraf.
- Om de accu te installeren, doet u de tong op de accu overeenkomen met de groef in de behuizing en dan schuift u de accu erin. Schuif de accu zo ver mogelijk erin totdat deze op zijn plaats vastklikt. Als u de rode aanduiding boven de knop kunt zien, is ze niet volledig vergrendeld. Breng de accu dan steviger aan zodat de rode aanduiding niet meer zichtbaar is. Als u dit niet doet, kan de accu per ongeluk eruit vallen en uzelf of andere personen in uw omgeving verwonden.
- Probeer nooit om de accu met geweld te installeren. Als de accu er niet gemakkelijk ingaat, betekent dit dat u hem niet op de juiste wijze erin steekt.

Accubeveiligingssysteem (lithium-ionenaccu met een stermarkering) (Fig. 2)

Lithium-ionenaccu's met een stermarkering zijn voorzien van een beveiligingssysteem. Dat kan automatisch de stroomtoevoer afsluiten om de levensduur van de accu te verlengen.

Het gereedschap kan tijdens gebruik automatisch stoppen wanneer het gereedschap en/of de accu aan één van de volgende omstandigheden wordt blootgesteld:

- Overbelasting:
Als het gereedschap wordt gebruikt op een manier die een abnormaal hoge stroomsterkte vergt. In dat geval laat u de trekschakelaar van het gereedschap los en verhelpt u de oorzaak van de overbelasting. Vervolgens drukt u de trekschakelaar weer in om het gereedschap te herstarten.
Als het gereedschap niet start, kan de accu oververhit zijn. In dat geval laat u de accu even afkoelen voordat u de trekschakelaar opnieuw indrukt.
- Onvoldoende accuspanning:
Als de resterende accuspanning onvoldoende is, zal het gereedschap niet starten. In dat geval verwijdert u de accu en laadt u die opnieuw op.

Aangeven van de resterende accuspanning (Fig. 3)

Alleen voor accu's met een indicatorlampje

Druk op de controletoets van de accu om de resterende accuspanning te zien. De spanningslampjes gaan enkele seconden lang branden.

| Spanningslampjes | | | Resterende accuspanning |
|------------------|---------|------------|-------------------------|
| Verlicht | Gedoofd | Knipperend | |
| ■ | □ | ▧ | |
| ■ ■ ■ ■ | | | 75% tot 100% |
| ■ ■ ■ □ | | | 50% tot 75% |
| ■ ■ □ □ | | | 25% tot 50% |
| ■ □ □ □ | | | 0% tot 25% |
| ▧ □ □ □ | | | Laad de accu op. |

| Spanningslampjes | | | Resterende accuspanning |
|------------------|---------|------------|--------------------------------------|
| Verlicht | Gedoofd | Knipperend | |
| ■ | □ | ▧ | |
| ■ ■ □ □ | | | Wellicht is er iets mis met de accu. |

015658

OPMERKING:

- Afhankelijk van de gebruiksomstandigheden en de omgevingstemperatuur kan de aanduiding wel eens ietwat afwijken van de werkelijk resterende accuspanning.

Werking van de trekschakelaar (Fig. 4)

LET OP:

- Alvorens de accu in het gereedschap te plaatsen, moet u altijd controleren of de trekschakelaar juist werkt en bij loslaten naar de "OFF" positie terugkeert.

Om het gereedschap te starten, drukt u gewoon de trekschakelaar in. Oefen meer druk uit op de trekschakelaar om het toerental te vermeerderen. Om het gereedschap te stoppen, de trekschakelaar loslaten.

Aanzetten van de voorlamp (Fig. 5)

LET OP:

- Kijk niet direct in het lamplicht of in de lichtbron.

Druk de trekschakelaar in om de lamp aan te zetten. De lamp blijft branden zolang als de trekschakelaar wordt ingedrukt.

De lamp gaat 10 tot 15 seconden nadat de aan/uitschakelaar is losgelaten automatisch uit.

OPMERKING:

- Gebruik een droge doek om vuil op de lamp eraf te vegen. Pas op dat u geen krassen maakt op de lamp-lens, omdat de verlichtingssterkte daardoor kan verminderen.

Werking van de omkeerschakelaar (Fig. 6)

Dit gereedschap heeft een omkeerschakelaar voor het veranderen van de draairichting. Druk de omkeerschakelaar in vanaf zijde A voor rechtse draairichting, of vanaf zijde B voor linkse draairichting.

Wanneer deze omkeerschakelaar in de neutrale stand staat, kan de trekschakelaar niet worden ingedrukt.

LET OP:

- Controleer altijd de draairichting alvorens het gereedschap te gebruiken.
- Verander de stand van de omkeerschakelaar alleen nadat het gereedschap volledig tot stilstand is gekomen. Indien u de draairichting verandert terwijl de boor nog draait, kan het gereedschap beschadigd raken.
- Zet de omkeerschakelaar altijd in de neutrale stand wanneer u het gereedschap niet gebruikt.

INEENZETTEN

LET OP:

- Zorg altijd dat het gereedschap is uitgeschakeld en de accu ervan is verwijderd alvorens enig werk aan het gereedschap uit te voeren.

Selecteren van de juiste sok

Gebruik altijd een sok van de juiste maat voor het vastdraaien van bouten en moeren. Het gebruik van een sok van de onjuiste maat zal een onnauwkeurig of onregelmatig aantrekkoppel en/of beschadiging van de bout of moer tot gevolg hebben.

Installeren of verwijderen van de sok (Fig. 7 en 8)

1. Voor een sok zonder O-ring en pen
Installeer de sok door deze op het draaistuk van het gereedschap te duwen totdat de sok op zijn plaats vergrendelt.
Om de sok te verwijderen, trekt u deze gewoon eraf.
2. Voor een sok met O-ring en pen
Verwijder de O-ring uit de groef in de sok en verwijder de pen uit de sok. Schuif de sok over het draaistuk van het gereedschap zodat het gat in de sok op één lijn komt met het gat in het draaistuk. Steek de pen door het gat in de sok en in het draaistuk. Breng de O-ring weer op zijn oorspronkelijke plaats in de groef aan, zodat de pen op zijn plaats wordt gehouden. Om de sok te verwijderen, voert u deze procedure in omgekeerde volgorde uit.

Haak (Fig. 9)

De haak is handig om het gereedschap tijdelijk aan op te hangen. De haak kan aan beide kanten van het gereedschap worden bevestigd.

U bevestigt de haak door deze in een groef in de behuizing van het gereedschap te steken en vast te zetten met een schroef. Om de haak te verwijderen, draait u de schroef los en haalt u de haak van het gereedschap af.

BEDIENING

LET OP:

- Steek de accu altijd zo ver mogelijk erin totdat hij goed op zijn plaats vastzit. Als het rode gedeelte op de bovenkant van de knop nog zichtbaar is, zit de accu niet volledig erin. Steek hem volledig erin totdat het rode gedeelte niet meer zichtbaar is. Als de accu niet goed erin zit, kan hij per ongeluk uit het gereedschap vallen en kunt u of kunnen anderen in uw omgeving verwonding oplopen.

Houd het gereedschap stevig vast en plaats de sok over de bout of moer. Schakel het gereedschap in en draai vast binnen de juiste aantrektijd. (Fig. 10)

Het juiste aantrekkoppel hangt van het soort of de grootte van de bout, het materiaal van het te bevestigen werkstuk, enz. De verhouding tussen het aantrekkoppel en de aantrektijd is aangegeven in Fig. 11 en Fig. 12.

OPMERKING:

- Houd het gereedschap recht voor de bout of moer.
- Een te hoog aandraaimoment kan de bout/moer of dop beschadigen. Voordat u het eigenlijke werk begint voert u daarom altijd eerst een proefbediening uit om het juiste aandraaimoment voor de bout of moer te bepalen.

- Wanneer u het gereedschap doorlopend gebruikt totdat de accu leeg is, moet u het gereedschap 15 minuten laten rusten alvorens met een verse accu verder te werken.

Het aantrekkoppel wordt beïnvloed door een aantal verschillende factoren, waaronder de volgende. Controleer na het vastdraaien altijd het aantrekkoppel met een momentsleutel.

1. Wanneer de accu bijna leeg is, neemt het voltage af en vermindert het aantrekkoppel.
2. Sok
 - Het gebruik van een sok van de onjuiste maat zal resulteren in een te laag aantrekkoppel.
 - Een versleten sok (slijtage op het zeskante of vierkante uiteinde) zal resulteren in een te laag aantrekkoppel.
3. Bout
 - Zelfs wanneer de koppelverhouding en de klasse van de bout overeenkomen, kan door verschillen in de diameter van de bouten het juiste aantrekkoppel per bout toch afwijken.
 - Ook al zijn de diameters van twee bouten gelijk, dan kunnen er nog verschillen in het juiste aantrekkoppel van de twee bouten optreden ten gevolge van verschillen in de koppelverhouding en de klasse en lengte van de bouten.
4. Het aantrekkoppel is iets lager wanneer een kogelgewrichtverbinding of verlengstaaf wordt gebruikt. U kunt dit verlies aan aantrekkoppel compenseren door de aantrektijd te verlengen.
5. Het aantrekkoppel wordt beïnvloed door de manier van vasthouden van het gereedschap of door het materiaal waarin de bout wordt vastgedraaid.
6. Het aantrekkoppel vermindert wanneer het gereedschap bij lage snelheid wordt gebruikt.

ONDERHOUD

LET OP:

- Controleer altijd of het gereedschap is uitgeschakeld en de accu is losgekoppeld voordat u begint met inspectie of onderhoud.
- Gebruik nooit benzine, wasbenzine, thinner, alcohol en dergelijke. Hierdoor het verkleuring, vervormingen en barsten worden veroorzaakt.

Om de VEILIGHEID en BETROUWBAARHEID van het gereedschap te handhaven, dienen alle reparaties, inspectie en vervanging van de koolborstels, en alle andere onderhoudswerkzaamheden of afstellingen te worden uitgevoerd bij een erkend Makita-servicecentrum of Makita-fabrieksservicecentrum, en altijd met gebruik van Makita-vervangingsonderdelen.

OPTIONELE ACCESSOIRES

LET OP:

- Deze accessoires of hulpstukken worden aanbevolen voor gebruik met het Makita gereedschap dat in deze gebruiksaanwijzing is beschreven. Bij gebruik van andere accessoires of hulpstukken bestaat er gevaar voor persoonlijke verwonding. Gebruik de accessoires of hulpstukken uitsluitend voor hun bestemd doel.

Wenst u meer bijzonderheden over deze accessoires, neem dan contact op met het plaatselijke Makita servicecentrum.

- Sokken

- Verlengstaaf
- Aantrekkoppel
- Bitadapter
- Diverse types originele Makita accu's en acculaders

OPMERKING:

- Sommige van de onderdelen in deze lijst kunnen bijgeleverd zijn als standaard-accessoires. Deze accessoires kunnen per land verschillend zijn.

ENG905-1

Geluidsniveau

De typisch, A-gewogen geluidsniveaus vastgesteld volgens EN62841-2-2:

Model DTW250

Geluidsdrukniveau (L_{pA}): 90 dB (A)
 Geluidsenergie-niveau (L_{WA}): 101 dB (A)
 Onnauwkeurigheid (K): 3 dB (A)

Model DTW251

Geluidsdrukniveau (L_{pA}): 94 dB (A)
 Geluidsenergie-niveau (L_{WA}): 105 dB (A)
 Onnauwkeurigheid (K): 3 dB (A)

ENG907-1

OPMERKING:

- De opgegeven geluidsemisiewaarde(n) is/zijn gemeenten volgens een standaardtestmethode en kan/kunnen worden gebruikt om dit gereedschap te vergelijken met andere gereedschappen.
- De opgegeven geluidsemisiewaarde(n) kan/kunnen ook worden gebruikt voor een beoordeling vooraf van de blootstelling.

WAARSCHUWING:

- Draag gehoorbescherming.
- De geluidsemissie tijdens het gebruik van het elektrisch gereedschap in de praktijk kan verschillen van de opgegeven waarde(n) afhankelijk van de manier waarop het gereedschap wordt gebruikt, met name van het soort werkstuk waarmee wordt gewerkt.
- Zorg ervoor dat veiligheidsmaatregelen worden getroffen ter bescherming van de gebruiker die zijn gebaseerd op een schatting van de blootstelling onder praktijkomstandigheden (rekening houdend met alle fasen van de bedrijfscyclus, zoals de tijdsduur gedurende welke het gereedschap is uitgeschakeld en stationair draait, naast de ingeschakelde tijdsduur).

ENG900-1

Trilling

De totaalwaarde van de trillingen (triaxiale vectorsom) vastgesteld volgens EN62841-2-2:

Model DTW250

Toepassing: bevestigen met behulp van slagwerking van bevestigingsmiddelen tot de maximale capaciteit van het gereedschap
 Trillingsemisie (a_h): 14,5 m/s²
 Onnauwkeurigheid (K): 1,5 m/s²

Model DTW251

Toepassing: bevestigen met behulp van slagwerking van bevestigingsmiddelen tot de maximale capaciteit van het gereedschap
 Trillingsemisie (a_h): 11,0 m/s²
 Onnauwkeurigheid (K): 1,5 m/s²

OPMERKING:

- De totale trillingswaarde(n) is/zijn gemeten volgens een standaardtestmethode en kan/kunnen worden gebruikt om dit gereedschap te vergelijken met andere gereedschappen.
- De opgegeven totale trillingswaarde(n) kan/kunnen ook worden gebruikt voor een beoordeling vooraf van de blootstelling.

WAARSCHUWING:

- De trillingsemisie tijdens het gebruik van het elektrisch gereedschap in de praktijk kan verschillen van de opgegeven waarde(n) afhankelijk van de manier waarop het gereedschap wordt gebruikt, met name van het soort werkstuk waarmee wordt gewerkt.
- Zorg ervoor dat veiligheidsmaatregelen worden getroffen ter bescherming van de gebruiker die zijn gebaseerd op een schatting van de blootstelling onder praktijkomstandigheden (rekening houdend met alle fasen van de bedrijfscyclus, zoals de tijdsduur gedurende welke het gereedschap is uitgeschakeld en stationair draait, naast de ingeschakelde tijdsduur).

EG-VERKLARING VAN CONFORMITEIT

Alleen voor Europese landen

De EG-verklaring van conformiteit is bijgesloten als Aanhangsel A bij deze gebruiksaanwijzing.

Explicación de los dibujos

| | | | | | |
|---|------------------------|----|--------------------------|----|---|
| 1 | Indicador rojo | 9 | Interruptor de inversión | 17 | Perno estándar |
| 2 | Botón | 10 | Manguito | 18 | Par de apriete |
| 3 | Cartucho de batería | 11 | Acoplador | 19 | Tiempo de apriete |
| 4 | Marca de estrella | 12 | Junta tórica | 20 | Para de apriete apropiado |
| 5 | Lámparas indicadoras | 13 | Pasador | 21 | Perno de gran resistencia a la tracción |
| 6 | Botón de comprobación | 14 | Gancho | | |
| 7 | Interruptor de gatillo | 15 | Tornillo | | |
| 8 | Lámpara | 16 | Ranura | | |

ESPECIFICACIONES

| Modelo | | DTW250 | DTW251 |
|---|---|--------------|--------------|
| Capacidades | Perno estándar | M10 – M16 | M10 – M16 |
| | Perno de gran resistencia a la tracción | M10 – M14 | M10 – M14 |
| Adaptador cuadrado | | 12,7 mm | 12,7 mm |
| Velocidad en vacío (min ⁻¹) | | 0 – 2.200 | 0 – 2.100 |
| Impactos por minuto | | 0 – 3.200 | 0 – 3.200 |
| Par de apriete máximo | | 230 N•m | 230 N•m |
| Longitud total | | 165 mm | 165 mm |
| Peso neto | | 1,4 – 1,7 kg | 1,5 – 1,8 kg |
| Tensión nominal | | C.c. 14,4 V | C.c. 18 V |

- Debido a un continuado programa de investigación y desarrollo, las especificaciones aquí ofrecidas quedan sujetas a cambios sin previo aviso.
- Las especificaciones pueden ser diferentes de país a país.
- El peso puede variar dependiendo del accesorio(s), incluyendo el cartucho de batería. La combinación menos pesada y la más pesada, de acuerdo con el procedimiento EPTA 01/2014, se muestran en la tabla.

Cartucho de batería y cargador aplicables

| | | |
|---------------------|--------------------|---|
| Cartucho de batería | Modelo C.c. 14,4 V | BL1415N / BL1430 / BL1430B / BL1440 / BL1450 / BL1460B |
| | Modelo C.c. 18 V | BL1815N / BL1820 / BL1820B / BL1830 / BL1830B / BL1840 / BL1840B / BL1850 / BL1850B / BL1860B |
| Cargador | | DC18RC / DC18RD / DC18RE / DC18SD / DC18SE / DC18SF |

- Algunos de los cartuchos de batería y cargadores indicados arriba puede que no estén disponibles dependiendo de su región de residencia.

⚠ ADVERTENCIA: Utilice solamente los cartuchos de batería y cargadores indicados arriba. La utilización de cualquier otro cartucho de batería y cargador puede ocasionar heridas y/o un incendio.

Uso previsto

La herramienta ha sido prevista para apretar pernos y tuercas.

ENE036-1

Guarde todas las advertencias e instrucciones para futuras referencias.

El término "herramienta eléctrica" en las advertencias se refiere a su herramienta eléctrica de funcionamiento con conexión a la red eléctrica (con cable) o herramienta eléctrica de funcionamiento a batería (sin cable).

GEA010-2

Advertencias de seguridad para herramientas eléctricas en general

⚠ ¡ADVERTENCIA! Lea todas las advertencias de seguridad, instrucciones, ilustraciones y especificaciones provistas con esta herramienta eléctrica. Si no sigue todas las instrucciones indicadas abajo podrá resultar en una descarga eléctrica, un incendio y/o heridas graves.

ADVERTENCIAS DE SEGURIDAD PARA LA LLAVE DE IMPACTO INALÁMBRICA

1. Sujete la herramienta eléctrica por las superficies de asimiento aisladas cuando realice una operación en la que el tornillo pueda entrar en contacto con cableado oculto. El contacto del tornillo con un cable con corriente hará que la corriente circule por las partes metálicas expuestas de la herramienta eléctrica y podrá soltar una descarga eléctrica al operario.
2. **Utilice protectores de oídos.**
3. **Compruebe el manguito de impacto con cuidado por si está desgastado, agrietado o dañado antes de instalarlo.**
4. **Sujete la herramienta firmemente.**
5. **Mantenga las manos alejadas de las partes giratorias.**
6. **Asegúrese siempre de apoyar los pies firmemente.**
Asegúrese de que no haya nadie debajo cuando esté utilizando la herramienta en lugares altos.
7. **El par de apriete apropiado podrá variar en función del tipo o tamaño del perno. Compruebe el par de apriete con una llave dinamométrica.**

GUARDE ESTAS INSTRUCCIONES.

ADVERTENCIA:

NO deje que la comodidad o familiaridad con el producto (a base de utilizarlo repetidamente) sustituya la estricta observancia de las normas de seguridad para el producto en cuestión.

El MAL USO o el no seguir las normas de seguridad establecidas en este manual de instrucciones podrá ocasionar graves heridas personales.

ENC007-12

INSTRUCCIONES DE SEGURIDAD IMPORTANTES PARA EL CARTUCHO DE BATERÍA

1. Antes de utilizar el cartucho de batería, lea todas las instrucciones e indicaciones de precaución sobre (1) el cargador de baterías, (2) la batería, y (3) el producto con el que se utiliza la batería.
2. No desarme el cartucho de batería.
3. Si el tiempo de uso se acorta demasiado, cese la operación inmediatamente. Podría resultar en un riesgo de recalentamiento, posibles quemaduras e incluso una explosión.
4. Si entra electrolito en sus ojos, aclárelos con agua limpia y acuda a un médico inmediatamente. Existe el riesgo de poder perder la vista.
5. No cortocircuite el cartucho de batería:
 - (1) No toque los terminales con ningún material conductor.
 - (2) Evite guardar el cartucho de batería en un cajón junto con otros objetos metálicos, como clavos, monedas, etc.
 - (3) No exponga el cartucho de batería al agua ni a la lluvia.

Un cortocircuito en la batería puede producir una gran circulación de corriente, un recalentamiento, posibles quemaduras e incluso una rotura de la misma.

6. No guarde la herramienta y el cartucho de batería en lugares donde la temperatura pueda alcanzar o exceder los 50°C.
7. Nunca incinere el cartucho de batería incluso en el caso de que esté dañado seriamente o ya no sirva en absoluto. El cartucho de batería puede explotar si se tira al fuego.
8. Tenga cuidado de no dejar caer ni golpear el cartucho de batería.
9. No utilice una batería dañada.
10. Las baterías de litio-ion contenidas están sujetas a los requisitos de la Legislación para Materiales Peligrosos.
Para transportes comerciales, p.ej., por terceras personas y agentes de transportes, se deberán observar requisitos especiales para el empaquetado y etiquetado.
Para la preparación del artículo que se va a enviar, se requiere consultar con un experto en materiales peligrosos. Por favor, observe también la posibilidad de reglamentos nacionales más detallados.
Cubra con cinta aislante o enmascare los contactos expuestos y empaquete la batería de tal manera que no se pueda mover alrededor dentro del embalaje.
11. **Siga los reglamentos locales referentes al desecho de la batería.**
12. **Utilice las baterías solamente con los productos especificados por Makita.** La instalación de las baterías en productos no compatibles puede resultar en un incendio, calor excesivo, explosión, o fuga de electrolito.

GUARDE ESTAS INSTRUCCIONES.

PRECAUCIÓN:

Utilice solamente baterías genuinas de Makita. La utilización de baterías no genuinas de Makita, o baterías que han sido alteradas, puede resultar en una explosión de la batería ocasionando incendios, heridas personales y daños. También anulará la garantía de Makita para la herramienta y el cargador de Makita.

Consejos para alargar al máximo la vida de servicio de la batería

1. Cargue el cartucho de batería antes de que se descargue completamente. Detenga siempre la operación y cargue el cartucho de batería cuando note menos potencia en la herramienta.
2. No cargue nunca un cartucho de batería que esté completamente cargado. La sobrecarga acortará la vida de servicio de la batería.
3. Cargue el cartucho de batería a temperatura ambiente de 10°C – 40°C. Si un cartucho de batería está caliente, déjelo enfriar antes de cargarlo.
4. Cargue el cartucho de batería si no lo utiliza durante un periodo de tiempo prolongado (más de seis meses).

DESCRIPCIÓN DEL FUNCIONAMIENTO

PRECAUCIÓN:

- Asegúrese siempre de que la herramienta esté apagada y el cartucho de batería extraído antes de realizar cualquier ajuste o comprobación en la herramienta.

Instalación o desmontaje del cartucho de batería (Fig. 1)

- Apague siempre la herramienta antes de instalar o extraer el cartucho de batería.
- Para extraer el cartucho de batería, deslícelo de la herramienta a la vez que desliza el botón de la parte frontal del cartucho.
- Para instalar el cartucho de batería, alinee la lengüeta del cartucho de batería con la acanaladura del alojamiento y deslícelo hasta encajarlo en su sitio. Insértelo siempre a tope hasta que quede bloqueado en su sitio produciendo un chasquido. Si puede ver el indicador rojo en el lado superior del botón, no estará bloqueado completamente. Instálelo completamente hasta que no pueda verse el indicador rojo. De lo contrario, podrá caerse de la herramienta accidentalmente, pudiendo ocasionarle heridas a usted o a alguien cerca de usted.
- No emplee fuerza cuando instale el cartucho de batería. Si el cartucho no se desliza al interior fácilmente, será porque no está siendo insertado correctamente.

Sistema de protección de la batería (Batería de litio-ión con marca de estrella) (Fig. 2)

Las baterías de litio-ión con marca de estrella están equipadas con un sistema de protección. Este sistema corta automáticamente la alimentación de la herramienta para alargar la vida útil de la batería.

La herramienta se detendrá automáticamente durante la operación si la herramienta y/o la batería son puestas en una de las condiciones siguientes:

- Sobrecargada:
 - La herramienta es utilizada de una manera que da lugar a que tenga que absorber una corriente anormalmente alta.
 - En esta situación, suelte el gatillo interruptor de la herramienta y detenga la tarea que ocasiona la sobrecarga de la herramienta. Después apriete el gatillo interruptor otra vez para volver a ponerla en marcha.
 - Si la herramienta no se pone en marcha, la batería estará recalentada. En esta situación, deje que la batería se enfríe antes de apretar el gatillo interruptor otra vez.
- Tensión baja en la batería:
 - La capacidad de batería restante es muy baja y la herramienta no funcionará. En esta situación, extraiga la batería y vuelva a cargarla.

Indicación de la capacidad de batería restante (Fig. 3)

Solamente para cartuchos de batería con el indicador

Pulse el botón de comprobación en el cartucho de batería para indicar la capacidad de batería restante. Las lámparas indicadoras se iluminan durante unos pocos segundos.

| Lámparas indicadoras | | | Capacidad restante |
|----------------------|---------|-------------|--------------------|
| Encendida | Apagada | Parpadeando | |
| ■ | □ | ◐ | 75% a 100% |
| ■ | ■ | □ | |
| ■ | ■ | ■ | 50% a 75% |
| ■ | ■ | □ | |

| Lámparas indicadoras | | | Capacidad restante |
|----------------------|---------|-------------|---|
| Encendida | Apagada | Parpadeando | |
| ■ | ■ | □ | 25% a 50% |
| ■ | □ | □ | |
| ◐ | □ | □ | Cargue la batería. |
| ■ | ■ | □ | Es posible que la batería no funcione bien. |
| □ | □ | ■ | |

015658

NOTA:

- Dependiendo de las condiciones de utilización y la temperatura ambiente, es posible que la indicación varíe ligeramente de la capacidad real.

Accionamiento del interruptor (Fig. 4)

PRECAUCIÓN:

- Antes de insertar el cartucho de batería en la herramienta, compruebe siempre que el interruptor de gatillo se acciona debidamente y que vuelve a la posición "OFF" cuando lo suelta.

Para poner en marcha la herramienta, apriete el gatillo simplemente. La velocidad de la herramienta aumenta incrementando la presión en el gatillo. Suelte el gatillo para pararla.

Iluminación de la lámpara delantera (Fig. 5)

PRECAUCIÓN:

- No mire a la luz ni vea la fuente de luz directamente.

Apriete el interruptor de gatillo para encender la lámpara. La lámpara seguirá encendida mientras el interruptor de gatillo esté siendo apretado.

La luz se apagará automáticamente 10 – 15 segundos después de soltar el interruptor de gatillo.

NOTA:

- Utilice un paño seco para quitar la suciedad de la lente de la lámpara. Tenga cuidado de no rayar la lente de la lámpara, porque podrá disminuir la iluminación.

Accionamiento del interruptor de inversión (Fig. 6)

Esta herramienta tiene un interruptor de inversión para cambiar la dirección de rotación. Presione el interruptor de inversión del lado A para que gire hacia la derecha o el del lado B para que gire hacia la izquierda.

Cuando el interruptor de inversión esté en la posición neutral, el interruptor de gatillo no podrá ser accionado.

PRECAUCIÓN:

- Compruebe siempre la dirección de rotación antes de realizar la operación de trabajo.
- Emplee el conmutador de inversión sólo después de que la herramienta esté completamente parada. Si cambia la dirección de rotación antes de que la herramienta se pare podrá dañarla.
- Cuando no utilice la herramienta, ponga siempre el interruptor de inversión en la posición neutral.

MONTAJE

PRECAUCIÓN:

- Asegúrese siempre de que la herramienta esté apagada y el cartucho de batería extraído antes de realizar cualquier trabajo en la herramienta.

Selección del manguito correcto

Utilice siempre el manguito de tamaño correcto para pernos y tuercas. El utilizar un manguito de tamaño incorrecto resultará en un par de apriete impreciso e inconsistente y/o en daños al perno o a la tuerca.

Instalación o extracción del manguito (Fig. 7 y 8)

1. Para manguito sin junta tórica ni pasador
Para instalar el manguito, empújelo contra el acoplador de la herramienta hasta que quede bloqueado en posición.
Para extraer el manguito, sáquelo tirando de él simplemente.
2. Para manguito con junta tórica y pasador
Extraiga la junta tórica de la ranura del manguito y saque el pasador del manguito. Encaje el manguito en el acoplador de la herramienta de manera que el orificio del manguito quede alineado con el orificio del acoplador. Introduzca el pasador a través de los orificios del manguito y del acoplador. Luego vuelva a colocar la junta tórica en su posición original de la ranura del manguito para retener el pasador. Para extraer el manguito, siga el procedimiento de instalación a la inversa.

Gancho (Fig. 9)

El gancho resulta útil para colgar temporalmente la herramienta. Se puede instalar en cualquiera de los lados de la herramienta.

Para instalar el gancho, insértelo en una ranura de cualquiera de los costados del alojamiento de la herramienta y después sujételo con un tornillo. Para quitarlo, afloje el tornillo y después sáquelo.

OPERACIÓN

PRECAUCIÓN:

- Inserte siempre el cartucho de batería a tope hasta que quede bloqueado en posición. Si puede ver la parte roja de la parte superior del botón, no estará bloqueado completamente. Insértelo totalmente hasta que no pueda verse la parte roja. En caso contrario, podrá caerse accidentalmente de la herramienta y causarle heridas a usted o a alguien cerca de usted.

Sujete firmemente la herramienta y ponga el manguito sobre el perno o la tuerca. Ponga en marcha la herramienta y apriete durante el tiempo de apriete apropiado. (Fig. 10)

El par de apriete apropiado podrá variar en función del tipo o tamaño del perno, del material de la pieza de trabajo a apretar, etc. La relación entre el par de apriete y el tiempo de apriete se muestra en la Fig. 11 y Fig. 12.

NOTA:

- Sujete la herramienta orientada en línea recta al perno o tuerca.
- Una torsión de apriete excesiva puede dañar el perno/tuerca o el manguito. Antes de comenzar la tarea, realice siempre una operación de prueba para determinar el tiempo de apriete apropiado para el perno o la tuerca que quiere apretar.

- Si la herramienta es utilizada continuamente hasta que se haya descargado el cartucho de batería, deje descansar la herramienta durante 15 minutos antes de proceder con una batería fresca.

El par de apriete se ve afectado por una amplia variedad de factores incluyendo los siguientes. Después del apriete, compruebe siempre el par de apriete con una llave de torsión.

1. Cuando el cartucho de batería se descargue casi por completo, la tensión disminuirá y el par de apriete se reducirá.
2. Manguito
 - El no utilizar el manguito de tamaño apropiado ocasionará una disminución del par de apriete.
 - Un manguito desgastado (en el extremo hexagonal o cuadrado) provocará una disminución del par de apriete.
3. Perno
 - Incluso en el caso de que el coeficiente del par de apriete y el tipo de perno sean los mismos, el par de apriete apropiado diferirá según el diámetro del perno.
 - Incluso en el caso de que los diámetros de los pernos sean los mismos, el par de apriete apropiado diferirá según el coeficiente del par de apriete, el tipo de perno y la longitud del mismo.
4. El empleo de una junta universal o de la barra de extensión reducirá en cierta medida la fuerza de apriete de la llave de impacto. Compénsela aprendando durante más tiempo.
5. La forma de sostener la herramienta o el material en la posición a apretar afectará a la torsión.
6. La operación de la herramienta a baja velocidad ocasionará una reducción del par de apriete.

MANTENIMIENTO

PRECAUCIÓN:

- Asegúrese siempre de que la herramienta está apagada y de que el cartucho de baterías está quitado antes de intentar hacer una inspección o mantenimiento.
- No utilice nunca gasolina, bencina, disolvente, alcohol o similares. Podría producir descoloración, deformación o grietas.

Para mantener la SEGURIDAD y FIABILIDAD del producto, las reparaciones, la inspección y el reemplazo de la escobilla de carbón, y cualquier otra tarea de mantenimiento o ajuste deberán ser realizados en centros de servicio autorizados o de fábrica de Makita, empleando siempre repuestos Makita.

ACCESORIOS OPCIONALES

PRECAUCIÓN:

- Estos accesorios o acoplamientos están recomendados para utilizar con su herramienta Makita especificada en este manual. El empleo de cualesquiera otros accesorios o acoplamientos conllevará un riesgo de sufrir heridas personales. Utilice los accesorios o acoplamientos solamente para su fin establecido.

Si necesita cualquier ayuda para más detalles en relación con estos accesorios, pregunte a su centro de servicio Makita local.

- Manguitos
- Barra de extensión

- Junta universal
- Adaptador de implemento
- Diferentes tipos de baterías y cargadores genuinos de Makita

NOTA:

- Algunos elementos de la lista podrán estar incluidos en el paquete de la herramienta como accesorios estándar. Pueden variar de un país a otro.

ENG905-1

Ruido

El nivel de ruido A-ponderado típico determinado de acuerdo con la norma EN62841-2-2:

Modelo DTW250

Nivel de presión sonora (L_{pA}): 90 dB (A)

Nivel de potencia sonora (L_{WA}): 101 dB (A)

Error (K): 3 dB (A)

Modelo DTW251

Nivel de presión sonora (L_{pA}): 94 dB (A)

Nivel de potencia sonora (L_{WA}): 105 dB (A)

Error (K): 3 dB (A)

ENG907-1

NOTA:

- El valor (o los valores) de emisión de ruido declarado ha sido medido de acuerdo con un método de prueba estándar y se puede utilizar para comparar una herramienta con otra.
- El valor (o valores) de emisión de ruido declarado también se puede utilizar en una valoración preliminar de exposición.

ADVERTENCIA:

- Póngase protectores para oídos.
- La emisión de ruido durante la utilización real de la herramienta eléctrica puede variar del valor (o los valores) de emisión declarado dependiendo de las formas en las que la herramienta sea utilizada, especialmente qué tipo de pieza de trabajo se procesa.
- Asegúrese de identificar medidas de seguridad para proteger al operario que estén basadas en una estimación de la exposición en las condiciones reales de utilización (teniendo en cuenta todas las partes del ciclo operativo como las veces cuando la herramienta está apagada y cuando está funcionando en vacío además del tiempo de gatillo).

ENG900-1

Vibración

El valor total de la vibración (suma de vectores triaxiales) determinado de acuerdo con la norma EN62841-2-2:

Modelo DTW250

Modo tarea: apretado por impacto de tornillos de la máxima capacidad de la herramienta

Emisión de vibración (a_h): 14,5 m/s²

Error (K): 1,5 m/s²

Modelo DTW251

Modo tarea: apretado por impacto de tornillos de la máxima capacidad de la herramienta

Emisión de vibración (a_h): 11,0 m/s²

Error (K): 1,5 m/s²

ENG901-2

NOTA:

- El valor (o los valores) total de emisión de vibración declarado ha sido medido de acuerdo con un método de prueba estándar y se puede utilizar para comparar una herramienta con otra.

- El valor (o los valores) total de emisión de vibración declarado también se puede utilizar en una valoración preliminar de exposición.

ADVERTENCIA:

- La emisión de vibración durante la utilización real de la herramienta eléctrica puede variar del valor (o los valores) de emisión declarado dependiendo de las formas en las que la herramienta sea utilizada, especialmente qué tipo de pieza de trabajo se procesa.
- Asegúrese de identificar medidas de seguridad para proteger al operario que estén basadas en una estimación de la exposición en las condiciones reales de utilización (teniendo en cuenta todas las partes del ciclo operativo como las veces cuando la herramienta está apagada y cuando está funcionando en vacío además del tiempo de gatillo).

DECLARACIÓN CE DE CONFORMIDAD

Sólo para países europeos

La declaración CE de conformidad está incluida como Anexo A de este manual de instrucciones.

Explicação geral

| | | | | | |
|---|----------------------|----|-------------------------------------|----|------------------------------|
| 1 | Indicador vermelho | 9 | Alavanca do interruptor de inversão | 16 | Ranhura |
| 2 | Botão | 10 | Bocal | 17 | Porca normal |
| 3 | Bateria | 11 | Bigorna | 18 | Binário de aperto |
| 4 | Marca de estrela | 12 | Anel em O | 19 | Tempo de aperto |
| 5 | Luzes indicadoras | 13 | Pino | 20 | Binário de aperto apropriado |
| 6 | Botão de verificação | 14 | Gancho | 21 | Porca de grande elasticidade |
| 7 | Gatilho | 15 | Parafuso | | |
| 8 | Lâmpada | | | | |

ESPECIFICAÇÕES

| Modelo | | DTW250 | DTW251 |
|--|------------------------------|--------------|--------------|
| Capacidades | Porca normal | M10 – M16 | M10 – M16 |
| | Porca de grande elasticidade | M10 – M14 | M10 – M14 |
| Transmissão quadrada | | 12,7 mm | 12,7 mm |
| Velocidade em vazio (min ⁻¹) | | 0 – 2.200 | 0 – 2.100 |
| Impactos por minutos | | 0 – 3.200 | 0 – 3.200 |
| Binário de aperto máximo | | 230 N•m | 230 N•m |
| Comprimento total | | 165 mm | 165 mm |
| Peso líquido | | 1,4 – 1,7 kg | 1,5 – 1,8 kg |
| Voltagem nominal | | 14,4 V CC | 18 V CC |

- Devido a um programa de pesquisa e desenvolvimento contínuo, estas especificações podem ser alteradas sem aviso prévio.
- As especificações podem variar de país para país.
- O peso pode diferir dependendo do(s) acessório(s), incluindo a bateria. A combinação mais leve e mais pesada, de acordo com o Procedimento 01/2014 da EPTA (European Power Tool Association), são apresentadas na tabela.

Cartucho de bateria e carregador aplicáveis

| | | |
|---------------------|------------------|---|
| Cartucho de bateria | Modelo 14,4 V CC | BL1415N / BL1430 / BL1430B / BL1440 / BL1450 / BL1460B |
| | Modelo 18 V CC | BL1815N / BL1820 / BL1820B / BL1830 / BL1830B / BL1840 / BL1840B / BL1850 / BL1850B / BL1860B |
| Carregador | | DC18RC / DC18RD / DC18RE / DC18SD / DC18SE / DC18SF |

- Alguns dos cartuchos de bateria e carregadores listados acima podem não estar disponíveis, dependendo da sua região de residência.

⚠ ADVERTÊNCIA: Utilize apenas os cartuchos de bateria e os carregadores listados acima. A utilização de qualquer outro cartucho de bateria e carregador pode provocar ferimentos e/ou incêndio.

ENE036-1

Utilização a que se destina

A ferramenta foi concebida para aperto de pernos e porcas.

GEA010-2

Guarde todos os avisos e instruções para futuras referências.

O termo “ferramenta eléctrica” nos avisos refere-se às ferramentas eléctricas ligadas à corrente eléctrica (com cabo) ou às ferramentas eléctricas operadas por meio de bateria (sem cabo).

GEB138-1

Avisos gerais de segurança para ferramentas eléctricas

⚠ AVISO! Leia todos os avisos de segurança, instruções, ilustrações e especificações fornecidos com esta ferramenta eléctrica. O não cumprimento de todas as instruções indicadas em baixo pode resultar em choque eléctrico, incêndio e/ou ferimentos graves.

AVISOS DE SEGURANÇA DA CHAVE DE IMPACTO A BATERIA

1. **Agarre na ferramenta eléctrica pelas partes isoladas quando executa uma operação em que o parafuso possa entrar em contacto com fios ocultos.** O contacto dos parafusos com um fio com corrente poderá carregar as partes metálicas da ferramenta e causar choque eléctrico no operador.

2. Use protetores auditivos.
3. Verifique cuidadosamente o bocal de impacto quanto a desgaste, rachas ou danos antes da instalação.
4. Segure a ferramenta firmemente.
5. Mantenha as mãos afastadas das partes giratórias.
6. Certifique-se sempre de que tem os pés bem assentes.
Certifique-se de que não está ninguém por baixo quando utilizar a ferramenta em locais altos.
7. O binário de aperto adequado pode diferir, dependendo do tipo ou do tamanho do perno. Verifique o binário com uma chave de binário.

GUARDE ESTAS INSTRUÇÕES.

⚠ AVISO:

NÃO permita que o conforto ou a familiaridade com o produto (adquirido com o uso repetido) substitua a adesão estrita às regras de segurança da ferramenta. A MÁ INTERPRETAÇÃO ou o não seguimento das regras de segurança estabelecidas neste manual de instruções pode causar danos pessoais graves.

ENC007-12

INSTRUÇÕES DE SEGURANÇA IMPORTANTES PARA A BATERIA

1. Antes de utilizar a bateria, leia todas as instruções e etiquetas de precaução no (1) carregador de bateria (2) bateria e (3) produto que utiliza a bateria.
2. Não abra a bateria.
3. Se o tempo de funcionamento se tornar excessivamente curto, pare o funcionamento imediatamente. Pode resultar em sobreaquecimento, possíveis queimaduras e mesmo explosão.
4. Se entrar eletrólito nos seus olhos, lave-os com água e consulte imediatamente um médico. Pode resultar em perda de visão.
5. Não coloque a bateria em curto-circuito:
 - (1) Não toque nos terminais com qualquer material condutor.
 - (2) Evite guardar a bateria juntamente com outros objetos metálicos tais como pregos, moedas, etc.
 - (3) Não exponha a bateria à água ou chuva.

Um curto-circuito pode ocasionar um enorme fluxo de corrente, sobreaquecimento, possíveis queimaduras e mesmo estragar-se.

6. Não guarde a ferramenta e a bateria em locais onde a temperatura pode atingir ou exceder 50°C.
7. Não queime a bateria mesmo que esteja estragada ou completamente gasta. A bateria pode explodir no fogo.
8. Tenha cuidado para não deixar cair ou dar pancadas na bateria.
9. Não utilize uma bateria danificada.

10. As baterias de íões de lítio contidas na ferramenta são sujeitas aos requisitos da DGL (Dangerous Goods Legislation - Legislação de bens perigosos).

Para o transporte comercial, por exemplo, por terceiros ou agentes de expedição, têm de ser observados os requisitos referentes à embalagem e etiquetagem.

Para preparação do artigo a ser expedido, é necessário consultar um perito em materiais perigosos. Tenha ainda em conta a possibilidade de existirem regulamentos nacionais mais detalhados. Coloque fita-cola ou tape os contactos abertos e embale a bateria de tal forma que não possa mover-se dentro da embalagem.

11. Siga os regulamentos locais relacionados com a eliminação de baterias.
12. Utilize as baterias apenas com os produtos especificados pela Makita. Instalar as baterias em produtos não-conformes poderá resultar num incêndio, calor excessivo, explosão ou fuga de eletrólito.

GUARDE ESTAS INSTRUÇÕES.

⚠ PRECAUÇÃO:

Utilize apenas baterias genuínas da Makita. A utilização de baterias não genuínas da Makita ou de baterias que foram alteradas, pode resultar no rebentamento da bateria provocando incêndios, ferimentos pessoais e danos. Além disso, anulará da garantia da Makita no que se refere à ferramenta e ao carregador Makita.

Conselhos para manter a máxima vida útil da bateria

1. Carregue a bateria antes que esteja completamente descarregada. Pare sempre o funcionamento da ferramenta e carregue a bateria quando notar menos poder na ferramenta.
2. Nunca carregue uma bateria completamente carregada. Carregamento excessivo diminui a vida útil da bateria.
3. Carregue a bateria à temperatura ambiente de 10°C – 40°C. Deixe que uma bateria quente arrefeça antes de a carregar.
4. Carregue a bateria se não a utilizar durante um longo período de tempo (mais de seis meses).

DESCRIÇÃO FUNCIONAL

PRECAUÇÃO:

- Certifique-se sempre de que a ferramenta está desligada e a bateria retirada antes de regular ou verificar qualquer função na ferramenta.

Instalar ou retirar a bateria (Fig. 1)

- Desligue sempre a ferramenta antes de instalar ou retirar a bateria.
- Para retirar a bateria, deslize-a da ferramenta deslizando o botão na parte da frente da bateria.
- Para instalar a bateria, alinhe a lingueta na bateria com a ranhura na caixa e deslize-a para o seu lugar. Coloque-a sempre completamente até que faça um clique no seu lugar. Se conseguir ver o indicador vermelho no lado superior do botão, não está completamente colocada. Instale-a completamente até que não possa ver o indicador vermelho. Se assim não for, pode acidentalmente cair da ferramenta ferindo-o a si ou alguém próximo.

- Não utilize força quando instala a bateria. Se a bateria não deslizar facilmente é porque não foi colocada correctamente.

Sistema de protecção da bateria (Bateria de íon lítio com a marca de estrela) (Fig. 2)

As baterias de íon lítio com a marca de estrela são equipadas com um sistema de protecção. O sistema desliga a ferramenta automaticamente para prolongar a vida útil da bateria.

A ferramenta para automaticamente durante o funcionamento se a mesma e/ou bateria se encontrar em uma das seguintes circunstâncias.

- Sobrecarga:
 - A ferramenta funcionou de maneira que puxa corrente elevada demais.
 - Nesse caso, liberte o gatilho do interruptor da ferramenta para parar a operação que provocou a sobrecarga da ferramenta. A seguir, carregue no gatilho do interruptor outra vez para ligar.
 - Se a ferramenta não ligar, a bateria está superaquecida. Nesse caso, aguarde até a bateria arrefecer antes de carregar no gatilho do interruptor outra vez.
- Baixa tensão da bateria:
 - A carga restante da bateria está baixa demais e a ferramenta não funciona. Nesse caso, retire a bateria e recarregue-a.

Indicação da capacidade restante da bateria (Fig. 3)

Apenas para as baterias com o indicador

Prima o botão de verificação no cartucho da bateria para indicar a capacidade restante da bateria. As luzes indicadoras acendem durante alguns segundos.

| Luzes indicadoras | | | Capacidade restante |
|---|---|--|-------------------------------------|
|  Acesa |  Apagada |  A piscar | |
|  | | | 75% a 100% |
|  |  | | 50% a 75% |
|  |  | | 25% a 50% |
|  |  | | 0% a 25% |
|  |  | | Carregue a bateria. |
|  |  |  | A bateria pode ter tido uma avaria. |
|  |  |  | |

015658

NOTA:

- Dependendo das condições de utilização e da temperatura ambiente, a indicação pode diferir ligeiramente da capacidade real.

Acção do interruptor (Fig. 4)

PRECAUÇÃO:

- Antes de colocar a bateria na ferramenta, certifique-se sempre de que o gatilho funciona correctamente e volta para a posição "OFF" quando desligado.

Para ligar a ferramenta, carregue simplesmente no gatilho. A velocidade da ferramenta aumenta quando aumenta a pressão no gatilho. Liberte o gatilho para parar.

Acender a lâmpada da frente (Fig. 5)

PRECAUÇÃO:

- Não olhe para a luz ou para a fonte de iluminação directamente.

Carregue no gatilho para acender a lâmpada. A lâmpada mantém-se acesa enquanto carrega no gatilho.

A luz apaga-se automaticamente 10 a 15 segundos depois de libertar o gatilho.

NOTA:

- Utilize um pano seco para limpar a sujidade das lentes da lâmpada. Tenha cuidado para não riscar as lentes da lâmpada ou pode diminuir a iluminação.

Acção do interruptor de inversão (Fig. 6)

Esta ferramenta tem um interruptor de inversão para mudar o sentido de rotação. Pressione-o no lado A para rotação à direita ou no lado B para rotação à esquerda. Se o interruptor de inversão estiver na posição neutra, o gatilho não accionará.

PRECAUÇÃO:

- Verifique sempre o sentido de rotação antes da operação.
- Só utilize o interruptor de inversão quando a ferramenta estiver completamente parada. Mudar o sentido de rotação antes da ferramenta parar poderá danificá-la.
- Quando não estiver a funcionar com a ferramenta, coloque sempre o interruptor de inversão na posição neutra.

MONTAGEM

PRECAUÇÃO:

- Certifique-se sempre de que a ferramenta está desligada e a bateria retirada antes de executar qualquer manutenção na ferramenta.

Seleção do bocal correcto

Utilize sempre o bocal correcto para os parafusos e porcas. Um tamanho incorrecto do bocal pode originar um binário de aperto incorrecto ou inconsistente e/ou estragar a porca ou o parafuso.

Para instalar ou retirar o bocal (Fig. 7 e 8)

1. Para bocal sem o anel em O e pino
 - Para colocar o bocal, empurre-a até ao fundo na bigorna até que faça um clique.
 - Para retirar o bocal, puxe-o simplesmente para fora.
2. Para bocal com anel em O e pino
 - Mova o anel em O para fora da ranhura na tomada e retire o pino da tomada. Assente a tomada na bigorna da ferramenta de modo o orifício na que a tomada fique alinhado com o orifício na bigorna. Insira o pino no orifício da tomada e bigorna. Em seguida volte a colocar o anel em O na posição original, na ranhura na tomada, para prender o pino. Para retirar a tomada siga inversamente os procedimentos de instalação.

Gancho (Fig. 9)

O gancho é conveniente para pendurar temporariamente a ferramenta. Pode ser instalado em qualquer dos lados da ferramenta.

Para instalar o gancho, insira-o numa ranhura no corpo da ferramenta em qualquer dos lados e prenda-o com um parafuso. Para o retirar, solte o parafuso e tire-o.

OPERAÇÃO

PRECAUÇÃO:

- Coloque sempre a bateria até ao fim até que fique presa no seu lugar. Se vir a parte vermelha na parte superior do botão, não está completamente presa. Coloque-a completamente até que não consiga ver a parte vermelha. Se assim não for, pode acidentalmente cair da ferramenta e feri-lo ou a alguém perto.

Agarre na ferramenta firmemente e coloque o bocal sobre a porca ou o parafuso. Ligue a ferramenta e aperte durante o tempo de aperto adequado. (Fig. 10)

O binário de aperto adequado pode variar dependendo do tipo e tamanho do parafuso, do material da peça a ser apertada, etc. A relação entre o binário de aperto e o tempo de aperto é indicado na Fig. 11 e Fig. 12.

NOTA:

- Agarre na ferramenta apontando-a direita para o parafuso ou a porca.
- Binário de aperto excessivo pode estragar o parafuso/porca ou o bocal. Antes de começar o seu trabalho, execute sempre uma operação de teste para determinar o tempo de aperto apropriado para o seu parafuso ou porca.
- Se funcionar continuamente com a ferramenta até que a bateria fique descarregada, deixe a ferramenta descansar 15 minutos antes de continuar com uma bateria carregada.

O binário de aperto é afectado por uma ampla variedade de factores incluindo os seguintes. Depois do aperto verifique sempre o binário com uma chave de binário.

1. Quando a bateria está quase completamente descarregada, a voltagem diminuirá e o binário de aperto será reduzido.
2. Bocal
 - A utilização de um tamanho de bocal incorrecto causará uma redução no binário de aperto.
 - Um bocal gasto (na extremidade hexagonal ou quadrada) causará uma redução do binário de aperto.
3. Parafuso
 - Mesmo que o coeficiente do binário de aperto e a classe do parafuso seja a mesma, o binário de aperto adequado será diferente de acordo com o diâmetro do parafuso.
 - Mesmo que os diâmetros dos parafusos sejam os mesmos, o binário de aperto adequado será diferente de acordo com coeficiente do binário, a classe e o comprimento do parafuso.
4. A utilização de uma ligação universal ou de uma barra de extensão reduz a força de aperto da chave de impacto. Compense apertando durante um período mais prolongado.
5. A maneira de pegar na ferramenta ou o material a ser apertado afectarão o torque.
6. A operação da ferramenta a baixa velocidade causará redução no binário de aperto.

MANUTENÇÃO

PRECAUÇÃO:

- Certifique-se sempre de que a ferramenta se encontra desligada e de que a bateria foi retirada antes de executar qualquer inspecção ou manutenção.
- Nunca utilize gasolina, benzina, diluente, álcool ou produtos semelhantes. Pode ocorrer a descoloração, deformação ou rachaduras.

Para manter a SEGURANÇA e a FIABILIDADE do produto, as reparações, a inspecção e substituição das escovas de carvão e qualquer outra manutenção ou ajuste devem ser levados a cabo pelos centros de assistência autorizados ou pelos centros de assistência de fábrica Makita, utilizando sempre peças de substituição Makita.

ACESSÓRIOS OPCIONAIS

PRECAUÇÃO:

- Estes acessórios ou extensões são recomendados para utilização com a sua ferramenta Makita especificada neste manual. A utilização de quaisquer outros acessórios ou extensões pode representar um risco de lesões para pessoas. Utilize apenas um acessório ou extensão para o fim a que se destina.

Se necessitar de informações adicionais relativas a estes acessórios, solicite-as ao seu centro de assistência Makita.

- Bocais
- Barra de extensão
- Ligação universal
- Adaptador da broca
- Vários tipos de baterias Makita e carregadores

NOTA:

- Alguns itens da lista podem estar incluídos na embalagem da ferramenta como acessórios padrão. Eles podem variar de país para país.

ENG905-1

Ruído

A característica do nível de ruído A determinado de acordo com EN62841-2-2:

Modelo DTW250

Nível de pressão de som (L_{pA}): 90 dB (A)
Nível do som (L_{WA}): 101 dB (A)
Variabilidade (K): 3 dB (A)

Modelo DTW251

Nível de pressão de som (L_{pA}): 94 dB (A)
Nível do som (L_{WA}): 105 dB (A)
Variabilidade (K): 3 dB (A)

ENG907-1

NOTA:

- O(s) valor(es) da emissão de ruído indicado(s) foi medido de acordo com um método de teste padrão e pode ser utilizado para comparar duas ferramentas.
- O(s) valor(es) da emissão de ruído indicado(s) pode também ser utilizado na avaliação preliminar da exposição.

AVISO:

- Utilize protetores auriculares.

- A emissão de ruído durante a utilização real da ferramenta elétrica pode diferir do(s) valor(es) indicado(s), dependendo das formas como a ferramenta é utilizada, especialmente o tipo de peça de trabalho que é processada.
- Certifique-se de identificar as medidas de segurança para proteção do operador que sejam baseadas em uma estimativa de exposição em condições reais de utilização (considerando todas as partes do ciclo de operação, tal como quando a ferramenta está desligada e quando está a funcionar em marcha lenta além do tempo de acionamento).

ENG900-1

Vibração

O valor total da vibração (soma vectorial tri-axial) determinado de acordo com EN62841-2-2:

Modelo DTW250

Modo de funcionamento: aperto com impacto de parafusos de capacidade máxima da ferramenta
 Emissão de vibração (a_{11}): 14,5 m/s²
 Variabilidade (K): 1,5 m/s²

Modelo DTW251

Modo de funcionamento: aperto com impacto de parafusos de capacidade máxima da ferramenta
 Emissão de vibração (a_{11}): 11,0 m/s²
 Variabilidade (K): 1,5 m/s²

ENG901-2

NOTA:

- O(s) valor(es) total(ais) de vibração indicado(s) foi medido de acordo com um método de teste padrão e pode ser utilizado para comparar duas ferramentas.
- O(s) valor(es) total(ais) de vibração indicado(s) pode também ser utilizado na avaliação preliminar da exposição.

AVISO:

- A emissão de vibração durante a utilização real da ferramenta elétrica pode diferir do(s) valor(es) indicado(s), dependendo das formas como a ferramenta é utilizada, especialmente o tipo de peça de trabalho que é processada.
- Certifique-se de identificar as medidas de segurança para proteção do operador que sejam baseadas em uma estimativa de exposição em condições reais de utilização (considerando todas as partes do ciclo de operação, tal como quando a ferramenta está desligada e quando está a funcionar em marcha lenta além do tempo de acionamento).

DECLARAÇÃO DE CONFORMIDADE CE

Apenas para países europeus

A declaração de conformidade da CE está incluída no Anexo A deste manual de instruções.

Illustrationsoversigt

| | | |
|-------------------|----------------|-------------------------|
| 1 Rød indikator | 8 Lampe | 15 Skrue |
| 2 Knap | 9 Omløbsvælger | 16 Rille |
| 3 Akku | 10 Top | 17 Standardbolt |
| 4 Stjernemærke | 11 Ambolt | 18 Spændemoment |
| 5 Indikatorlamper | 12 O-ring | 19 Fastspændingstid |
| 6 Kontrolknap | 13 Stift | 20 Korrekt spændemoment |
| 7 Afbryderknap | 14 Krog | 21 Kvalitetsstålbolt |

SPECIFIKATIONER

| Model | | DTW250 | DTW251 |
|-----------------------------------|-------------------|--------------|--------------|
| Kapacitet | Standard bolt | M10 – M16 | M10 – M16 |
| | Kvalitetsstålbolt | M10 – M14 | M10 – M14 |
| Firkantdrev | | 12,7 mm | 12,7 mm |
| Omdrejninger (min ⁻¹) | | 0 – 2 200 | 0 – 2 100 |
| Slag per minut | | 0 – 3 200 | 0 – 3 200 |
| Maks. spændemoment | | 230 N•m | 230 N•m |
| Længde | | 165 mm | 165 mm |
| Vægt | | 1,4 – 1,7 kg | 1,5 – 1,8 kg |
| Spænding | | DC 14,4 V | DC 18 V |

- På grund af vores kontinuerlige forskningsprogrammer og udvikling, kan hosstående specifikationer blive ændret uden varsel.
- Specifikationer kan variere fra land til land.
- Vægten kan variere afhængigt af tilbehøret, inklusive akkuen. Den letteste og tungeste kombination, i henhold til EPTA-Procedure 01/2014, er vist i tabellen.

Anvendelig akku og oplader

| | | |
|---------|-----------------|---|
| Akku | DC 14,4 V-model | BL1415N / BL1430 / BL1430B / BL1440 / BL1450 / BL1460B |
| | DC 18 V-model | BL1815N / BL1820 / BL1820B / BL1830 / BL1830B / BL1840 / BL1840B / BL1850 / BL1850B / BL1860B |
| Oplader | | DC18RC / DC18RD / DC18RE / DC18SD / DC18SE / DC18SF |

- Nogle af ovenstående akkuer og opladere er muligvis ikke tilgængelige, afhængigt af hvilket område du bor i.

⚠ ADVARSEL: Du må kun anvende ovenstående akkuer og opladere. Brug af andre akkuer og opladere kan medføre personskaade og/eller brand.

Tilsigtet anvendelse

Denne maskine er beregnet til fastgørelse af bolte og møtrikker.

ENE036-1

Gem alle advarsler og instruktioner til fremtidig reference.

Ordet "el-værktøj" i advarslerne henviser til det netforsynede (netledning) el-værktøj eller batteriforsynede (akku) el-værktøj.

GEA010-2

Almindelige sikkerhedsregler for el-værktøj

⚠ ADVARSEL! Læs alle de sikkerhedsadvarsler, instruktioner, illustrationer og specifikationer, der følger med denne maskine. Forsømmelse af at overholde alle nedenstående instruktioner kan medføre elektrisk stød, brand og/eller alvorlig personskaade.

SIKKERHEDSADVARSLER FOR ELEKTRONISK AKKU SLAGNØGLE

1. **Hold kun maskinen i de isolerede grebflader, når De udfører arbejde, hvor fastgøringsanordningen kan komme i kontakt med skjulte ledninger.** Fastgørelsesanordninger, som kommer i kontakt med en strømførende ledning kan gøre uafdækkede metaldele på maskinen strømførende og give operatoren stød.
2. **Brug høreværn.**
3. **Kontrollér omhyggeligt slagtoppen for slitage, revner eller beskadigelse før montering.**

GEB138-1

4. Hold maskinen godt fast.
5. Hold hænderne væk fra roterende dele.
6. Sørg for at stå på et fast underlag.
7. Sørg for at der ikke opholder sig personer under arbejdsområdet, når De arbejder i højden.
8. Det korrekte tilspændingsmoment kan variere afhængigt af boltens type eller størrelse. Kontrollér tilspændingsmomentet med en momentnøgle.

GEM DENNE BRUGSANVISNING.

⚠ ADVARSEL:

LAD IKKE bekvemmelighed eller kendskab til produktet (opnået gennem gentagen brug) forhindre, at sikkerhedsforskrifterne for produktet nøje overholdes.

MISBRUG eller forsømmelse af at følge de i denne brugsvejledning givne sikkerhedsforskrifter kan føre til, at De kommer alvorligt til skade.

ENC007-12

VIGTIGE SIKKERHEDSINSTRUKTIONER FOR AKKUEN

1. Læs alle instruktioner og advarselmærkater på (1) akku-opladeren, (2) akkuen og (3) produktet, som anvender akku.
2. Lad være med at skille akkuen ad.
3. Hold straks op med anvendelsen, hvis brugstiden er blevet stærkt afkortet. Fortsat anvendelse kan resultere i risiko for overophedning, forbrændinger og endog eksplosion.
4. Hvis De har fået elektrolytvæske i øjnene, skal De straks skylle den ud med rent vand og derefter øjeblikkeligt søge lægehjælp. I modsat fald kan De miste synet.
5. Vær påpasselig med ikke at komme til at kortslutte akkuen:
 - (1) Rør ikke ved terminalerne med noget ledende materiale.
 - (2) Undgå at opbevare akkuen i en beholder sammen med andre genstande af metal, for eksempel søm, mønter og lignende.
 - (3) Udsæt ikke akkuen for vand eller regn.

Kortslutning af akkuen kan forårsage en kraftig øgning af strømmen, overophedning, mulige forbrændinger og endog værktøjstop.

6. Opbevar ikke værktøjet og akkuen på et sted, hvor temperaturen kan nå eller overstige 50°C.
7. Lad være med at brænde akkuen, selv ikke i tilfælde, hvor den har lidt alvorlig skade eller er fuldstændig udtjent. Akkuen kan eksplodere, hvis man forsøger at brænde den.
8. Lad være med at brænde akkuen eller udsætte den for stød.
9. Anvend ikke en beskadiget akku.
10. De indbyggede lithium-ion-batterier er underlagt lovkrav vedrørende farligt gods. Ved kommerciel transport, f.eks. af tredjeparts transportselskaber, skal særlige krav til forpakning og mærkning overholdes. Ved forberedelse af udstyret til forsendelse skal du kontakte en ekspert i farligt gods. Overhold også eventuel mere detaljeret national lovgivning. Tape eller tildæk åbne kontakter, og pak batteriet på en måde, så det ikke kan flytte sig rundt i pakningen.
11. Følg de lokale love vedrørende bortskaffelsen af batterier.

12. Brug kun batterierne med de produkter, som Makita specificerer. Hvis batterierne installeres i ikke-kompatible produkter, kan det medføre brand, kraftig varme, eksplosion eller udsivning af elektrolyt.

GEM DENNE BRUGSANVISNING.

⚠ FORSIGTIG:

Brug kun originale batterier fra Makita. Brug af uoriginale Makita-batterier, eller batterier som er blevet ændret, kan muligvis medføre brud på batteriet, hvilket kan forårsage brand, personskade eller beskadigelse. Det ugyldiggør også Makita-garantien for Makita-maskinen og opladeren.

Tips til opnåelse af maksimal akku-levetid

1. Oplad akkuen, inden den er helt afladet. Stop altid værktøjet, og oplad akkuen, hvis De bemærker, at værktøjeffekten er aftagende.
2. Genoplad aldrig en fuldt opladet akku. Overopladning vil afkorte akkuens levetid.
3. Oplad akkuen ved stuetemperatur ved 10°C – 40°C. Lad altid en varm akku få tid til at køle af, inden den oplades.
4. Oplad akkuen, hvis De ikke skal bruge den i længere tid (mere end seks måneder).

FUNKTIONSBESKRIVELSE

FORSIGTIG:

- Sørg altid for at maskinen er slukket, og at akkuen er taget ud, før der udføres justering eller kontrol af funktioner på maskinen.

Isætning og udtagning af akku (Fig. 1)

- Sluk altid for maskinen, før akkuen installeres eller tages ud.
- Akkuen fjernes ved at man skyder den ud af maskinen, mens man skyder knappen foran på akkuen i stilling.
- Installer akkuen ved at rette dens tunge ind efter rillen i huset. Skyd derefter akkuen helt ind, til den låser på plads med et lille klik. Hvis den røde indikator kan ses på den øverste side af knappen, er den ikke helt låst. Monter den således, at den røde indikator ikke kan ses. Hvis akkuen ikke sættes i på denne måde, kan den ved et uheld falde ud af maskinen, og eventuelt forvolde personskade på Dem selv eller andre.
- Brug aldrig magt, når akkuen installeres. Hvis ikke akkuen glider i uden besvær, er det fordi, at den vender forkert.

Akku-beskyttelsessystem (lithium-ion akku med et stjernemærke) (Fig. 2)

Lithium-ion akkuer med et stjernemærke er udstyret med et beskyttelsessystem. Dette system afbryder automatisk strømmen til maskinen, så akkuens levetid bliver længere. Maskinen stopper automatisk under driften, hvis den og/eller akkuen kommer i en af følgende situationer:

- Overbelastet:

Maskinen anvendes på en måde, der bevirker, at den forbruger abnormt høj strøm.

Slip i denne situation afbryderknappen på maskinen og stop den anvendelse, der bevirkede, at maskinen blev overbelastet. Tryk derefter afbryderknappen ind igen for at starte igen.

Hvis maskinen ikke starter, er akkuen overophedet. Lad i dette tilfælde akkuen køle af, inden afbryderknappen trykkes ind igen.

- Lav akku-spænding:

Den tilbageværende akku-kapacitet er for lav, og maskinen vil ikke fungere. Fjern i denne situation akkuen fra maskinen og oplad den.

Angivelse den tilbageværende akku-kapacitet (Fig. 3)

Kun for akkuer med indikatoren

Tryk på kontrolknappen på akkuen for at angive den tilbageværende akku-kapacitet. Indikatorlamperne lyser i et par sekunder.

| Indikatorlamper | | | Tilbageværende kapacitet |
|-----------------|---------|---------|-----------------------------------|
| Tændt | Slukket | Blinker | |
| ■ | □ | ◐ | |
| ■ ■ ■ ■ | | | 75% til 100% |
| ■ ■ ■ □ | | | 50% til 75% |
| ■ ■ □ □ | | | 25% til 50% |
| ■ □ □ □ | | | 0% til 25% |
| ◐ □ □ □ | | | Oplad akkuen. |
| ■ ■ □ □ | | | Akkuen kan have fungeret forkert. |
| □ □ ■ ■ | | | |

015658

BEMÆRK:

• Afhængigt af brugsforholdene og den omgivende temperatur, kan indikeringen afvige en smule i forhold til den faktiske kapacitet.

Afbryderknabetjening (Fig. 4)

FORSIGTIG:

• For akkuen sættes i maskinen, bør De altid kontrollere, at afbryderknappen fungerer korrekt og returnerer til "OFF" positionen, når den slippes.

For at starte maskinen trykkes der blot på afbryderen. Maskinens hastighed øges ved at øge trykket på afbryderen. Slip afbryderen for at stoppe.

Tænd af forlamperne (Fig. 5)

FORSIGTIG:

• Kig aldrig direkte på lyskilden. Lad ikke lyset falde i Deres øjne.

Tryk afbryderknappen ind for at tænde lampen. Lampen bliver ved med at lyse, så længe afbryderknappen holdes inde.

Lyset slukker automatisk 10 – 15 sekunder efter at afbryderknappen slippes.

BEMÆRK:

• Anvend en tør klud til at tørre snavs af lampens linse. Undgå at ridse lampens linse, da det kan nedsætte lysstyrken.

Omløbsvælger (Fig. 6)

Denne maskine har en omløbsvælger, der kan ændre omløbsretningen. Skub omløbsvælgeren ind fra side A for omdrejning med uret, eller fra side B for omdrejning mod uret.

Når omløbsvælgeren er i neutral position, kan afbryderknappen ikke trykkes ind.

FORSIGTIG:

• Kontrollér altid omløbsretningen før arbejdet påbegyndes.
• Brug kun omløbsvælgeren når maskinen er helt stoppet. Hvis omløbsretningen ændres inden maskinen er helt stoppet, kan det beskadige maskinen.
• Når maskinen ikke anvendes, skal omløbsvælgeren altid være sat i neutral position.

SAMLING

FORSIGTIG:

• Sørg altid for, at maskinen er slukket og akkuen er taget af, for der udføres noget arbejde på maskinen.

Valg af korrekt top

Anvend altid den korrekte størrelse i top til bolte og møtrikker. En top med forkert størrelse vil give upræcist og ujævnt spændemoment og/eller beskadige bolten eller møtrikken.

Montering eller afmontering af top (Fig. 7 og 8)

1. For toppe uden O-ring og stift
Toppen monteres ved at den trykkes ind over ambolten på maskinen, indtil toppen låser på plads. Toppen fjernes ved at den ganske enkelt trækkes af.
2. For toppe med O-ring og stift
Tag O-ringen ud fra rillen i toppen og fjern stiften fra toppen. Sæt toppen på maskinens ambolt, således at hullet i toppen passer med hullet i ambolten. Før stiften ind gennem hullet i toppen og ambolten. Anbring derefter O-ringen på dens oprindelige plads i rillen på toppen for at holde stiften på plads. Toppen afmonteres ved at følge monteringsfremgangsmåden i omvendt orden.

Krog (Fig. 9)

Krogen er praktisk, hvis man vil hænge maskinen op midlertidigt. Den kan monteres på begge sider af maskinen.

Krogen monteres ved at man sætter den ind i rillen på maskinkroppen på hver side og derefter fastgør den med en skrue. Krogen fjernes ved at man løsner skruen og tager den ud.

ANVENDELSE

FORSIGTIG:

- Sæt altid akkuen helt ind, så den låses på plads. Hvis De kan se den røde del på oversiden af knappen, betyder det, at den ikke er helt fastlåst. Sæt den helt ind, så den røde del ikke kan ses. Hvis den ikke sættes helt ind, kan den ved et uheld falde ud af maskinen med risiko for, at omkringstående eller De selv kan komme til skade.

Hold godt fast på maskinen og anbring toppen over bolten eller møtrikken. Tænd for maskinen og tilspænd i den korrekte fastgøringstid. (Fig. 10)

Det korrekte spændemoment kan svinge, afhængigt af typen eller størrelsen af bolten, materialet af det arbejdsstykke, der skal fastgøres etc. Forholdet mellem spændemoment og fastgøringstid er vist i Fig. 11 og Fig. 12.

BEMÆRK:

- Hold maskinens viser direkte i retningen mod bolten eller møtrikken.
- Et for stort spændemoment kan beskadige bolten/møtrikken eller toppen. Inden de begynder på et job, skal De altid udføre en testoperation for at bestemme den rigtige spændetid for bolten eller møtrikken.
- Hvis maskinen anvendes uafbrudt, indtil akkuen er afladet, skal maskinen have lov at hvile i 15 minutter, før der fortsættes med en frisk akku.

Spændemomentet påvirkes af en række faktorer, inklusive de følgende. Efter fastgøring skal momentet altid kontrolleres med en momentnøgle.

1. Når akkuen er næsten helt afladet, falder spændingen, og spændemomentet reduceres.
2. Top
 - Anvendelse af en forkeft størrelse top vil reducere spændemomentet.
 - En slidt top (slitage på sekskantenden eller den firkantede ende) vil reducere spændemomentet.
3. Bolt
 - Selv om spændemomentkoefficienten og boltklassen er den samme, vil det korrekte spændemoment afhænge af diameteren på bolten.
 - Selv om diameteren på bolte er den samme, vil det korrekte spændemoment afhænge af spændemomentkoefficienten, boltklassen og boltens længde.
4. Anvendelse af kardanledet eller forlængerstangen reducerer i nogen grad fastgøringskraften på anslagsnøglen. Kompenser for dette ved at fastgøre i længere tid.
5. Den måde, hvorpå man holder maskinen eller typen af materialet, der skal fastgøres, påvirker spændemomentet.
6. Hvis maskinen anvendes med lav hastighed, vil spændemomentet blive mindre.

VEDLIGEHOLDELSE

FORSIGTIG:

- Sørg altid for at maskinen er slukket, og at akkuen er taget ud før der gennemføres noget arbejde på selve maskinen.
- Anvend aldrig benzin, rensebenzin, fortynder, alkohol og lignende. Resultatet kan blive misfarvning, deformation eller revner.

For at opretholde produktets SIKKERHED og PÅLIDELIGHED må reparation, inspektion og udskiftning af kulbørster samt al anden vedligeholdelse eller justering kun udføres af et autoriseret Makita servicecenter eller fabrikksservicecenter med anvendelse af Makita reservedele.

EKSTRAUDSTYR

FORSIGTIG:

- Dette udstyr og tilbehør bør anvendes sammen med Deres Makita maskine, sådan som det er beskrevet i denne brugsanvisning. Anvendelse af andet udstyr eller tilbehør kan udgøre en risiko for personskaade. Tilbehøret bør kun anvendes til det, det er beregnet til.

Hvis De behøver hjælp ved valg af tilbehør eller ønsker yderligere informationer, bedes De kontakte Deres lokale Makita service center.

- Topper
- Forlængerstangen
- Knækled
- Bit-adapter
- Forskellige typer af originale Makita-akkuer og opladere

BEMÆRK:

- Nogle ting på denne liste kan være inkluderet i værktøjspakken som standardtilbehør. Det kan være forskellige fra land til land.

ENG905-1

Lyd

Det typiske A-vægtede støjniveau bestemt i overensstemmelse med EN62841-2-2:

Model DTW250

Lydtrykniveau (L_{pA}): 90 dB (A)
Lydeffektniveau (L_{WA}): 101 dB (A)
Usikkerhed (K): 3 dB (A)

Model DTW251

Lydtrykniveau (L_{pA}): 94 dB (A)
Lydeffektniveau (L_{WA}): 105 dB (A)
Usikkerhed (K): 3 dB (A)

ENG907-1

BEMÆRK:

- De(n) angivne støjemissionsværdi(er) er målt i overensstemmelse med en standardtestmetode og kan anvendes til at sammenligne en maskine med en anden.
- De(n) angivne støjemissionsværdi(er) kan også anvendes i en præliminær eksponeringsvurdering.

ADVARSEL:

- Bær høreværn.
- Støjemissionen under den faktiske anvendelse af maskinen kan være forskellig fra de(n) angivne værdi(er), afhængigt af den måde hvorpå maskinen anvendes, især den type arbejdsemne der behandles.
- Sørg for at identificere de sikkerhedsforskrifter til beskyttelse af operatøren, som er baseret på en vurdering af eksponering under de faktiske brugsforhold (med hensyntagen til alle dele i brugscyklussen, f.eks. de gange, hvor maskinen er slukket, og når den kører i tomgang i tilgift til afbrydertiden).

ENG900-1

Vibration

Vibrations totalværdi (tre-aksial vektorsum) bestemt i overensstemmelse med EN62841-2-2:

Model DTW250

Arbejdsindstilling: Slag-stramning af fastgøringsanordninger af maskinens maks. kapacitet

Vibrationsafgivelse (a_h): 14,5 m/s²

Usikkerhed (K): 1,5 m/s²

Model DTW251

Arbejdsindstilling: Slag-stramning af fastgøringsanordninger af maskinens maks. kapacitet

Vibrationsafgivelse (a_h): 11,0 m/s²

Usikkerhed (K): 1,5 m/s²

ENG901-2

BEMÆRK:

- De(n) angivne totalværdi(er) for vibration er målt i overensstemmelse med en standardtestmetode og kan anvendes til at sammenligne en maskine med en anden.
- De(n) angivne totalværdi(er) for vibration kan også anvendes i en præliminær eksponeringsvurdering.

ADVARSEL:

- Vibrationsemissionen under den faktiske anvendelse af maskinen kan være forskellig fra de(n) angivne værdi(er), afhængigt af den måde hvorpå maskinen anvendes, især den type arbejdsemne der behandles.
- Sørg for at identificere de sikkerhedsforskrifter til beskyttelse af operatøren, som er baseret på en vurdering af eksponering under de faktiske brugsforhold (med hensyntagen til alle dele i brugscyklussen, f.eks. de gange, hvor maskinen er slukket, og når den kører i tomgang i tilgift til afbrydertiden).

EF-KONFORMITETSERKLÆRING**Kun for lande i Europa**

EF-konformitetserklæringen er inkluderet som Tillæg A til denne instruktionsvejledning.

Περιγραφή γενικής άποψης

| | | |
|-----------------------|-------------------------|----------------------------------|
| 1 Κόκκινη ένδειξη | 9 Διακόπτης αντιστροφής | 17 Κανονικό μπουλόνι |
| 2 Πλήκτρο | 10 Υποδοχή | 18 Ροπή στερέωσης |
| 3 Κασέτα μπαταρίας | 11 Μεγάλος πείρος | 19 Χρόνος στερέωσης |
| 4 Ένδειξη αστεριού | 12 Δακτυλίδι-Ο | 20 Σωστή ροπή στερέωσης |
| 5 Ενδεικτικές λυχνίες | 13 Πείρος | 21 Μπουλόνι υψηλής εκτατικότητας |
| 6 Κουμπί ελέγχου | 14 Γάντζος | |
| 7 Σκανδάλη διακόπτης | 15 Βίδα | |
| 8 Λαμπάκι | 16 Εγκοπή | |

ΤΕΧΝΙΚΑ ΧΑΡΑΚΤΗΡΙΣΤΙΚΑ

| Μοντέλο | | DTW250 | DTW251 |
|--|-------------------------------|---------------|---------------|
| Ικανότητες | Κανονικό μπουλόνι | M10 – M16 | M10 – M16 |
| | Μπουλόνι υψηλής εκτατικότητας | M10 – M14 | M10 – M14 |
| Τετραγωνικός οδηγός | | 12,7 χιλ. | 12,7 χιλ. |
| Ταχύτητα χωρίς φορτίο (λεπ ⁻¹) | | 0 – 2.200 | 0 – 2.100 |
| Κτύποι ανά λεπτό | | 0 – 3.200 | 0 – 3.200 |
| Μεγ. ροπή στερέωσης | | 230 N*m | 230 N*m |
| Συνολικό μήκος | | 165 χιλ. | 165 χιλ. |
| Βάρος καθαρό | | 1,4 – 1,7 Χγρ | 1,5 – 1,8 Χγρ |
| Καθορισμένο βολτάζ | | D.C. 14,4 V | D.C. 18 V |

- Λόγω του συνεχιζόμενου προγράμματος έρευνας και ανάπτυξης, οι παρούσες προδιαγραφές υπόκεινται σε αλλαγή χωρίς προειδοποίηση.
- Τα τεχνικά χαρακτηριστικά δύνανται να διαφέρουν από χώρα σε χώρα.
- Το βάρος μπορεί να διαφέρει ανάλογα με το(α) εξάρτημα(τα), συμπεριλαμβανομένης της κασέτας μπαταριών. Ο ελαφρύτερος και βαρύτερος συνδυασμός, σύμφωνα με τη διαδικασία EPTA 01/2014, παρουσιάζονται στον πίνακα.

Ισχύουσα κασέτα μπαταρίας και φορτιστής

| | | |
|------------------|---|---|
| Κασέτα μπαταρίας | Μοντέλο D.C. 14,4 V | BL1415N / BL1430 / BL1430B / BL1440 / BL1450 / BL1460B |
| | Μοντέλο D.C. 18 V | BL1815N / BL1820 / BL1820B / BL1830 / BL1830B / BL1840 / BL1840B / BL1850 / BL1850B / BL1860B |
| Φορτιστής | DC18RC / DC18RD / DC18RE / DC18SD / DC18SE / DC18SF | |

- Μερικές από τις κασέτες μπαταρίας και φορτιστές που παρατίθενται ανωτέρω μπορεί να μην διατίθενται ανάλογα με την περιοχή κατοικίας σας.

⚠ ΠΡΟΕΙΔΟΠΟΙΗΣΗ: Να χρησιμοποιείτε μόνο τις κασέτες μπαταρίας και φορτιστές που παρατίθενται ανωτέρω. Η χρήση οποιονδήποτε άλλων κασετών μπαταρίας και φορτιστών μπορεί να προκαλέσει τραυματισμό ή/και πυρκαγιά.

ENE036-1

Προοριζόμενη χρήση

Το εργαλείο προορίζεται για στερέωμα μπουλονιών και παξιμαδιών.

GEA010-2

Φυλάξτε όλες τις προειδοποιήσεις και τις οδηγίες για μελλοντική παραπομπή.

Στις προειδοποιήσεις, ο όρος “ηλεκτρικό εργαλείο” αναφέρεται σε ηλεκτρικό εργαλείο που τροφοδοτείται από την κύρια παροχή ηλεκτρικού ρεύματος (με ηλεκτρικό καλώδιο) ή σε ηλεκτρικό εργαλείο που τροφοδοτείται από μπαταρία (χωρίς ηλεκτρικό καλώδιο).

Γενικές προειδοποιήσεις ασφαλείας για το ηλεκτρικό εργαλείο

⚠ ΠΡΟΕΙΔΟΠΟΙΗΣΗ Διαβάστε όλες τις προειδοποιήσεις ασφαλείας, οδηγίες, εικονογραφίες και προδιαγραφές που παρέχονται με αυτό το ηλεκτρικό εργαλείο. Η μη τήρηση όλων των οδηγιών που αναγράφονται κατωτέρω μπορεί να καταλήξει σε ηλεκτροπληξία, πυρκαγιά ή/και σοβαρό τραυματισμό.

ΠΡΟΕΙΔΟΠΟΙΗΣΕΙΣ ΑΣΦΑΛΕΙΑΣ ΓΙΑ ΤΟ ΚΡΟΥΣΤΙΚΟ ΚΛΕΙΔΙ ΜΠΑΤΑΡΙΑΣ

1. Να κρατάτε το ηλεκτρικό εργαλείο από τις λαβές με μόνωση όταν εκτελείτε εργασίες κατά τις οποίες ο σύνδεσμος μπορεί να έρθει σε επαφή με κρυμμένα καλώδια. Αν ο σύνδεσμος έρθει σε επαφή με κάποιο ηλεκτροφόρο καλώδιο, μπορεί τα εκτεθειμένα μεταλλικά μέρη του ηλεκτρικού εργαλείου να γίνουν κι αυτά ηλεκτροφόρα και να προκληθεί ηλεκτροπληξία στο χειριστή.
2. Να φοράτε ωτασπίδες.
3. Ελέγχετε την κρουστική υποδοχή προσεκτικά για φθορά, ρωγμές ή ζημιές πριν την εγκατάσταση.
4. Να κρατάτε το εργαλείο σταθερά.
5. Μην πλησιάζετε τα χέρια σας σε περιστρεφόμενα μέρη.
6. Να βεβαιώνετε πάντα ότι στέκεστε σταθερά. Όταν χρησιμοποιείτε το εργαλείο σε υψηλές τοποθεσίες, να βεβαιώνετε ότι δεν βρίσκεται κανένας από κάτω.
7. Η κατάλληλη ροπή στερέωσης μπορεί να διαφέρει ανάλογα από το είδος ή το μέγεθος του μπουλονιού. Ελέγξτε τη ροπή με ένα ροπόκλειδο.

ΦΥΛΑΞΤΕ ΤΙΣ ΟΔΗΓΙΕΣ ΑΥΤΕΣ.

⚠️ ΠΡΟΕΙΔΟΠΟΙΗΣΗ:

ΜΗΝ επιτρέψετε στην άνεση ή στην εξοικειωσή σας με το προϊόν (που αποκτήθηκε από επανειλημμένη χρήση) να αντικαταστήσει την αυστηρή τήρηση των κανόνων ασφαλείας του παρόντος εργαλείου. Η ΛΑΝΘΑΣΜΕΝΗ ΧΡΗΣΗ ή η αμέλεια να ακολουθήσετε τους κανόνες ασφαλείας που διατυπώνονται στο παρόν εγχειρίδιο οδηγιών μπορεί να προκαλέσει σοβαρό προσωπικό τραυματισμό.

ENC007-12

ΣΗΜΑΝΤΙΚΕΣ ΟΔΗΓΙΕΣ ΑΣΦΑΛΕΙΑΣ ΓΙΑ ΚΑΣΕΤΑ ΜΠΑΤΑΡΙΩΝ

1. Πριν χρησιμοποιήσετε την κασέτα μπαταριών, διαβάστε όλες τις οδηγίες και σημειωμένες προφύλαξης (1) στον φορτιστή μπαταριών, (2) στην μπαταρία και (3) στο προϊόν που χρησιμοποιεί την μπαταρία.
2. Μην αποσυρμολογήσετε την κασέτα μπαταριών.
3. Εάν ο χρόνος λειτουργίας έχει γίνει υπερβολικά βραχύς, σταματήστε τη λειτουργία αμέσως. Αλλιώς, μπορεί να έχει ως αποτέλεσμα κίνδυνο υπερθέρμανσης, πιθανά εγκαύματα ή ακόμη και έκρηξη.
4. Εάν ηλεκτρολύτης μπει στα μάτια σας, ξεπλύνετε τα με καθαρό νερό και ζητήστε ιατρική φροντίδα αμέσως. Αλλιώς, μπορεί να έχει ως αποτέλεσμα απώλεια της όρασης σας.
5. Μη βραχυκυκλώνετε την κασέτα μπαταριών:
 - (1) Μην αγγίζετε τους πόλους με οτιδήποτε αγώγιμο υλικό.
 - (2) Αποφεύγετε να αποθηκεύετε την κασέτα μπαταριών μέσα σε ένα δοχείο μαζί με άλλα μεταλλικά αντικείμενα όπως καρφιά, νομίσματα, κλπ.

- (3) Μην εκθέτετε την κασέτα μπαταριών στο νερό ή στη βροχή.

Ένα βραχυκύκλωμα μπαταρίας μπορεί να προκαλέσει μεγάλη ροή ρεύματος, υπερθέρμανση, πιθανά εγκαύματα ακόμη και σοβαρή βλάβη.

6. Μην αποθηκεύετε το εργαλείο και την κασέτα μπαταριών σε τοποθεσίες όπου η θερμοκρασία μπορεί να φτάσει ή να ξεπεράσει τους 50°C.
7. Μην καίτε την κασέτα μπαταριών ακόμη και εάν έχει σοβαρή ζημιά ή είναι εντελώς φθαρμένη. Η κασέτα μπαταριών μπορεί να εκραγεί στη φωτιά.
8. Προσέχετε να μη ρίξετε κάτω ούτε να χτυπήσετε την μπαταρία.
9. Μη χρησιμοποιείτε μπαταρία που έχει υποστεί ζημία.
10. Οι μπαταρίες ιόντων λιθίου που περιέχονται υπόκεινται στις απαιτήσεις της νομοθεσίας για επικίνδυνα αγαθά.

Για εμπορικές μεταφορές, για παράδειγμα από τρίτα μέρη, πρέπει να τηρούνται οι διαμεταφορείς, οι ειδικές απαιτήσεις στη συσκευασία και η επισήμανση.

Για προετοιμασία του στοιχείου που αποστέλλεται, είναι απαραίτητο να συμβουλευτείτε έναν ειδικό για επικίνδυνα υλικά. Επίσης, τηρήστε τους πιθανούς, πιο αναλυτικούς εθνικούς κανονισμούς. Καλύψτε με αυτοκόλλητη ταινία ή κρύψτε τις ανοικτές επαφές και συσκευάστε την μπαταρία με τρόπο που να μην μπορεί να μετακινείται μέσα στη συσκευασία.

11. Τηρήστε τους τοπικούς κανονισμούς που σχετίζονται με τη διάθεση της μπαταρίας.
12. Χρησιμοποιήστε τις μπαταρίες μόνο με τα προϊόντα που καθορίζει η Makita. Αν τοποθετήσετε τις μπαταρίες σε μη συμβατά προϊόντα μπορεί να έχει ως αποτέλεσμα πυρκαγιά, υπερβολική θερμότητα, έκρηξη ή διαρροή ηλεκτρολύτη.

ΦΥΛΑΞΤΕ ΤΙΣ ΟΔΗΓΙΕΣ ΑΥΤΕΣ.

⚠️ ΠΡΟΣΟΧΗ:

Να χρησιμοποιείτε μόνο γνήσιες μπαταρίες της Makita. Η χρήση μη γνήσιων μπαταριών Makita, ή μπαταριών που έχουν τροποποιηθεί, μπορεί να έχει ως αποτέλεσμα τη ρήξη της μπαταρίας, προκαλώντας πυρκαγιά, προσωπικό τραυματισμό και βλάβη. Επίσης, θα ακυρωθεί η εγγύηση της Makita για το εργαλείο και φορτιστή Makita.

Συμβουλές για τη διατήρηση της μέγιστης ζωής μπαταρίας

1. Φορτίζετε την κασέτα μπαταριών πριν από την πλήρη αποφόρτιση της. Πάντοτε να σταματάτε τη λειτουργία του εργαλείου και να φορτίζετε την κασέτα μπαταριών όταν παρατηρείτε μειωμένη ισχύ εργαλείου.
2. Ποτέ μην επαναφορτίζετε μια πλήρως φορτισμένη κασέτα μπαταριών. Η υπερφόρτιση μειώνει την ωφέλιμη ζωή της μπαταρίας.
3. Να φορτίζετε την κασέτα μπαταριών σε θερμοκρασία δωματίου, δηλαδή στους 10°C έως 40°C. Αφήστε μια θερμή κασέτα μπαταριών να κρυώσει πριν την φορτίσετε.
4. Να φορτίζετε την κασέτα μπαταριών εάν δεν τη χρησιμοποιείτε για μεγάλη χρονική περίοδο (περισσότερο από έξι μήνες).

ΠΕΡΙΓΡΑΦΗ ΛΕΙΤΟΥΡΓΙΑΣ

ΠΡΟΣΟΧΗ:

- Πάντοτε βεβαιώνετε ότι το εργαλείο είναι σβηστό και η κασέτα μπαταρίας έχει αφαιρεθεί πριν ρυθμίσετε ή ελέγξετε την λειτουργία στο εργαλείο.

Τοποθέτηση ή αφαίρεση της κασέτας μπαταρίας (Εικ. 1)

- Πάντοτε σβήνετε το εργαλείο πριν εγκαταστήσετε ή βγάλετε την κασέτα μπαταρίας.
- Για να αφαιρέσετε την κασέτα μπαταρίας, βγάλετε την από το εργαλείο ενώ σύρετε το κουμπί στο εμπρόσθιο μέρος της κασέτας.
- Για να εγκαταστήσετε την κασέτα μπαταρίας, ευθυγραμμίστε την γλώσσα στην κασέτα μπαταρίας με την αυλακία στην υποδοχή και τοποθετείστε την. Πάντοτε να την βάζετε πλήρως μέχρι να κλειδώσει, γεγονός που υποδηλώνεται με ένα χαρακτηριστικό ήχο. Εάν μπορείτε να δείτε την κόκκινη ένδειξη στην επάνω πλευρά του κουμπιού, δεν έχει κλειδώσει τελείως. Τοποθετήστε την πλήρως μέχρι να μην μπορείτε να δείτε την κόκκινη ένδειξη. Σε αντίθετη περίπτωση, ίσως πέσει κατά λάθος από το μηχάνημα, τραυματίζοντας εσάς ή κάποιον τριγύρω σας.
- Μη χρησιμοποιείτε δύναμη όταν εγκαταστήσετε την κασέτα μπαταρίας. Εάν η κασέτα δεν γλυστράει μέσα εύκολα, δεν εισάγεται με τον σωστό τρόπο.

Σύστημα προστασίας μπαταρίας (μπαταρία ιόντων λιθίου με ένδειξη αστεριού) (Εικ. 2)

- Οι μπαταρίες ιόντων λιθίου με ένδειξη αστεριού είναι εξοπλισμένες με σύστημα προστασίας. Αυτό το σύστημα αποκρίνει αυτόματα την ισχύ προς το εργαλείο για την παράταση της ζωής της μπαταρίας. Το εργαλείο σταματάει αυτόματα κατά τη διάρκεια της λειτουργίας εάν το εργαλείο ή/και η μπαταρία βρεθούν κάτω από τις παρακάτω συνθήκες:

- Υπερφόρτωση:

Το εργαλείο λειτουργεί με τρόπο ώστε να αναγκάζεται να καταναλώνει ασυνήθιστα υψηλό ρεύμα.

Σε αυτή την κατάσταση, αφήστε το διακόπτη σκανδάλης και διακόψτε την εφαρμογή που προκαλεί την υπερφόρτωση του εργαλείου. Μετά, τραβήξτε ξανά το διακόπτη σκανδάλης για επανεκκίνηση.

Εάν το εργαλείο δεν ξεκινάει, η μπαταρία έχει υπερθερμανθεί. Σε αυτή την κατάσταση, αφήστε την μπαταρία να ψυχθεί πριν τραβήξετε ξανά το διακόπτη σκανδάλης.

- Χαμηλή τάση μπαταρίας:

Η υπόλοιπη χωρητικότητα μπαταρίας είναι πολύ χαμηλή και το εργαλείο δεν λειτουργεί. Σε αυτή την κατάσταση, αφαιρέστε και επαναφορτίστε την μπαταρία.

Ένδειξη της υπόλοιπης χωρητικότητας της μπαταρίας (Εικ. 3)

Μόνο για κασέτες μπαταριών με την ένδειξη

Πιέστε το κουμπί ελέγχου στην κασέτα μπαταρίας για να υποδείξετε την υπόλοιπη χωρητικότητα της μπαταρίας. Οι ενδεικτικές λυχνίες ανάβουν για λίγα δευτερόλεπτα.

| Ενδεικτικές λυχνίες | | | Υπόλοιπη χωρητικότητα |
|---------------------|---------|--------------|---|
| Αναμμένες | Σβηστές | Αναβο-σβήνει | |
| | | | 75% έως 100% |
| | | | 50% έως 75% |
| | | | 25% έως 50% |
| | | | 0% έως 25% |
| | | | Φορτίστε την μπαταρία. |
| | | | Μπορεί να προέκυψε δυσλειτουργία στην μπαταρία. |

015658

ΣΗΜΕΙΩΣΗ:

- Ανάλογα με τις συνθήκες χρήσης και τη θερμοκρασία περιβάλλοντος, η ένδειξη μπορεί να διαφέρει λίγο από την πραγματική χωρητικότητα.

Λειτουργία διακόπτη (Εικ. 4)

ΠΡΟΣΟΧΗ:

- Πριν βάλετε στο τη κασέτα μπαταρίας στο μηχάνημα, πάντοτε ελέγχετε να δείτε ότι η σκανδάλη διακόπτης ενεργοποιεί κανονικά και επιστρέφει στη θέση "OFF" όταν ελευθερώνεται.

Για να ξεκινήσει το μηχάνημα απλώς πατήστε τη σκανδάλη. Η ταχύτητα του μηχανήματος αυξάνεται με αύξηση της πίεσης στη σκανδάλη. Για να σταματήσει αφήστε τη σκανδάλη.

Για να ανάψετε το εμπρόσθιο λαμπάκι (Εικ. 5)

ΠΡΟΣΟΧΗ:

- Μη κυττάξετε το φως ή βλέπετε την πηγή φωτός απευθείας.

Τραβήχτε την σκανδάλη διακόπτη για να ανάψετε το λαμπάκι. Το λαμπάκι συνεχίζει να είναι αναμμένο όσο η σκανδάλη διακόπτης είναι τραβηγμένη.

Το φως σβήνει αυτόματα 10 – 15 δευτερόλεπτα αφού ελευθερωθεί η σκανδάλη διακόπτης.

ΠΑΡΑΤΗΡΗΣΗ:

- Χρησιμοποιείτε ένα στεγνό ύφασμα για να σφουγγίσετε τους ρύπους από τους φακούς του λαμπάκιου. Προσέχετε να μη γρατσουνίσετε τους φακούς του, διαφορετικά θα μειωθεί ο φωτισμός.

Αντιστροφή λειτουργίας διακόπτη (Εικ. 6)

Αυτό το μηχάνημα έχει ένα διακόπτη αντιστροφής για να αλλάξει τη διεύθυνση περιστροφής. Πατήστε το μοχλό διακόπτη αντιστροφής από τη πλευρά Α για δεξιόστροφη περιστροφή ή από την πλευρά Β για αριστερόστροφη.

Όταν ο μοχλός διακόπτη είναι στην ουδέτερη θέση, η σκανδάλη διακόπτης δεν μπορεί να τραβηχθεί.

ΠΡΟΣΟΧΗ:

- Πάντοτε ελέγχετε τη διεύθυνση περιστροφής πριν από τη λειτουργία.
- Χρησιμοποιείτε το διακόπτη αντιστροφής μόνο αφού το μηχάνημα έχει σταματήσει εντελώς. Αλλαγή της διεύθυνσης περιστροφής πριν το μηχάνημα σταματήσει μπορεί να προκαλέσει ζημιά στο μηχάνημα.
- Όταν δεν λειτουργείτε το μηχάνημα, πάντα να θέτετε το μοχλό διακόπτη αντιστροφής στη νεκρή θέση.

ΣΥΝΑΡΜΟΛΟΓΗΣΗ

ΠΡΟΣΟΧΗ:

- Πάντοτε βεβαιώνετε ότι το εργαλείο είναι σβηστό και η κασέτα μπαταρίας έχει αφαιρεθεί πριν εκτελέσετε κάποια εργασία στο εργαλείο.

Επιλογή σωστής υποδοχής

Πάντοτε χρησιμοποιείτε το σωστό μέγεθος υποδοχής για μπουλόνια και παξιμάδια. Μια υποδοχή διαφορετικού μεγέθους θα έχει σαν αποτέλεσμα ανακριβή και ασυμβίβαστη ροπή στερέωσης και/ή ζημιά στο μπουλόνι ή στο παξιμάδι.

Τοποθέτηση ή αφαίρεση υποδοχής (Εικ. 7 και 8)

1. Για υποδοχή χωρίς δακτυλίδι-Ο και πείρο
Για να τοποθετήσετε την υποδοχή, πιέστε την στον πείρο του μηχανήματος μέχρι να κλειδώσει.
Για να απομακρύνετε την υποδοχή, απλώς τραβήξτε την έξω.
2. Για υποδοχή με δακτυλίδι-Ο και πείρο
Μετακινείτε το δακτυλίδι-Ο έξω από την χαραγή στην υποδοχή και βγάλτε τον πείρο από την υποδοχή. Βάλτε την υποδοχή επάνω στο αμόνι του μηχανήματος έτσι ώστε η τρύπα στην υποδοχή να ευθυγραμμίζεται με την τρύπα στο αμόνι. Περάστε τον πείρο μέσα από την τρύπα στην υποδοχή και στο αμόνι. Μετά γυρίστε το δακτυλίδι-Ο στην αρχική θέση στη χαραγή της υποδοχής για συγκράτηση του πείρου. Για να αφαιρέσετε την υποδοχή, ακολουθείστε τις διαδικασίες εγκατάστασης αντιστροφή.

Γάντζος (Εικ. 9)

Ο γάντζος είναι βολικός για την προσωρινή ανάρτηση του εργαλείου. Μπορεί να τοποθετηθεί σε οποιαδήποτε πλευρά του εργαλείου.
Για τοποθέτηση του γάντζου, βάλτε τον σε μία εγκοπή του περίβλημα του εργαλείου σε μία από τις δύο πλευρές και μετά ασφαλίστε τον με μία βίδα. Για να τον αφαιρέσετε, χαλαρώστε την βίδα και μετά βγάλτε τον.

ΛΕΙΤΟΥΡΓΙΑ

ΠΡΟΣΟΧΗ:

- Πάντοτε βάζετε την κασέτα μπαταρίας πλήρως μέσα μέχρι να κλειδώνει στη θέση της. Εάν το κόκκινο τμήμα στο επάνω μέρος του κουμπιού είναι ορατό, τότε δεν είναι κλειδωμένη εντελώς. Βάλτε την πλήρως μέσα μέχρι το κόκκινο τμήμα να μην είναι ορατό. Εάν όχι, μπορεί να πέσει τυχαία έξω από το εργαλείο, προκαλώντας τραυματισμό σε σας ή σε κάποιον γύρω σας.

Κρατήστε το εργαλείο σταθερά και τοποθετήστε την υποδοχή επάνω στο μπουλόνι ή παξιμάδι. Ανάψτε το εργαλείο και στερεώστε για τον κατάλληλο χρόνο στερέωσης. (Εικ. 10)

Η κατάλληλη ροπή στερέωσης μπορεί να διαφέρει εξαρτωμένη από το είδος ή μέγεθος του μπουλονιού, το υλικό του αντικειμένου εργασίας που πρόκειται να στερεωθεί, κλπ. Η σχέση μεταξύ ροπής στερέωσης και χρόνου στερέωσης φαίνεται στην **Εικ. 11** και **Εικ. 12**.

ΠΑΡΑΤΗΡΗΣΗ:

- Κρατείστε το εργαλείο διευθυνόμενο ίσια στο μπουλόνι ή παξιμάδι.
- Υπερβολική ροπή στερέωσης μπορεί να κάνει ζημιά στο μπουλόνι/παξιμάδι ή στην υποδοχή. Πριν αρχίσετε την εργασία σας, πάντοτε εκτελείτε μία δοκιμαστική λειτουργία για να διαπιστώσετε τον κατάλληλο χρόνο στερέωσης για το μπουλόνι ή παξιμάδι σας.
- Εάν το εργαλείο λειτουργεί συνεχώς, μέχρι εκφόρτωσης της κασέτας μπαταρίας του, αφήστε το εργαλείο να αναπαυθεί για 15 λεπτά πριν προχωρήσετε με μία φρέσκια μπαταρία.

Η ροπή στερέωσης επηρεάζεται από μεγάλη ποικιλία παραγόντων στους οποίους περιλαμβάνονται οι ακόλουθοι. Μετά τη στερέωση, πάντοτε ελέγχετε τη ροπή με ένα κλειδί ροπής.

1. Όταν η κασέτα μπαταρίας εκφορτιστεί σχεδόν εντελώς, η τάση θα πέσει και η ροπή στερέωσης θα μειωθεί.
2. Υποδοχή
 - Μη χρησιμοποίηση του σωστού μεγέθους υποδοχής θα προκαλέσει μείωση στη ροπή στερέωσης.
 - Μια φθαρμένη υποδοχή (φθορά στην εξαγ. άκρη ή στη τετράγωνη άκρη) θα προκαλέσει μείωση στη ροπή στερέωσης.
3. Μπουλόνι
 - Ακόμη και εάν ο συντελεστής ροπής και η κατηγορία του μπουλονιού είναι τα ίδια, η κατάλληλη ροπή στερέωσης θα διαφέρει σύμφωνα με τη διάμετρο του μπουλονιού.
 - Ακόμη και εάν οι διαμέτροι μπουλονιών είναι ίδιες, η κατάλληλη ροπή στερέωσης θα διαφέρει σύμφωνα με το συντελεστή ροπής, τη κατηγορία του μπουλονιού και το μήκος του μπουλονιού.
4. Η χρησιμοποίηση της γενικής χρήσης άρθρωσης ή της μπάρας επέκτασης μειώνει κατά κάτι τη δύναμη στερέωσης του κλειδιού κρούσης. Αναπληρώστε στερεώνοντας για μακρύτερη χρονική διάρκεια.
5. Ο τρόπος κρατήματος του εργαλείου ή η θέση οδήγησης του προς στερέωση υλικού θα επηρεάσουν την ροπή.
6. Η λειτουργία του εργαλείου σε χαμηλή ταχύτητα θα προκαλέσει μία μείωση στη ροπή στερέωσης.

ΣΥΝΤΗΡΗΣΗ

ΠΡΟΣΟΧΗ:

- Πάντοτε βεβαιώνετε ότι το εργαλείο είναι σβηστό και η κασέτα μπαταρίας έχει αφαιρεθεί πριν επιχειρήσετε να κάνετε έλεγχο ή συντήρηση.
- Μην χρησιμοποιείτε ποτέ βενζίνη, πετρελαϊκό αιθέρα, διαλυτικό, αλκοόλη ή παρόμοιες ουσίες. Ενδέχεται να προκληθεί αποχρωματισμός παραμόρφωση ή ρωγμές.

Για να διατηρήσετε την ΑΣΦΑΛΕΙΑ και ΑΞΙΟΠΙΣΤΙΑ του προϊόντος, οι επισκευές, έλεγχος και αντικατάσταση καρβουνακιού, καθώς και οποιαδήποτε άλλη εργασία συντήρησης ή ρύθμισης πρέπει να εκτελούνται από εξουσιοδοτημένα ή εργοστασιακά κέντρα εξυπηρέτησης της Makita, πάντα χρησιμοποιώντας ανταλλακτικά της Makita.

ΠΡΟΑΙΡΕΤΙΚΑ ΕΞΑΡΤΗΜΑΤΑ

ΠΡΟΣΟΧΗ:

- Αυτά τα εξαρτήματα ή προσαρτήματα συνιστώνται για χρήση με το εργαλείο Μάκιτα που περιγράφεται στις οδηγίες αυτές. Η χρήση οτιδήποτε άλλων εξαρτημάτων ή προσαρτημάτων μπορεί να προκαλέσει κίνδυνο τραυματισμού σε άτομα. Χρησιμοποιείτε τα εξαρτήματα ή προσαρτήματα μόνο για την χρήση που προορίζονται.

Εάν χρειάζεστε οποιαδήποτε βοήθεια για περισσότερες πληροφορίες σε σχέση με αυτά τα εξαρτήματα, αποτανθείτε στο τοπικό σας κέντρο εξυπηρέτησης Μάκιτα.

- Υποδοχές
- Μπάρας επέκτασης
- Γενικής χρήσης άρθρωσης
- Προσαρμοστής άκρων
- Διάφοροι τύποι αυθεντικών μπαταριών και φορτιστών Μάκιτα.

ΠΑΡΑΤΗΡΗΣΗ:

- Μερικά στοιχεία στη λίστα μπορεί να συμπεριλαμβάνονται στη συσκευασία εργαλείου ως στάνταρ εξαρτήματα. Μπορεί να διαφέρουν ανάλογα με τη χώρα.

ENG905-1

Θορύβος

Το τυπικό Α επίπεδο μετρημένου θορύβου καθορίζεται σύμφωνα με το EN62841-2-2:

Μοντέλο DTW250

Στάθμη πίεσης ήχου (L_{pA}): 90 dB (A)
Στάθμη δύναμης ήχου (L_{WA}): 101 dB (A)
Αβεβαιότητα (K): 3 dB (A)

Μοντέλο DTW251

Στάθμη πίεσης ήχου (L_{pA}): 94 dB (A)
Στάθμη δύναμης ήχου (L_{WA}): 105 dB (A)
Αβεβαιότητα (K): 3 dB (A)

ENG907-1

ΠΑΡΑΤΗΡΗΣΗ:

- Η δηλωμένη τιμή(ές) εκπομπής θορύβου έχει μετρηθεί σύμφωνα με την πρότυπη μέθοδο δοκιμής και μπορεί να χρησιμοποιηθεί για τη σύγκριση ενός εργαλείου με κάποιο άλλο.
- Η δηλωμένη τιμή(ές) εκπομπής θορύβου μπορεί να χρησιμοποιηθεί και στην προκαταρκτική αξιολόγηση της έκθεσης.

ΠΡΟΕΙΔΟΠΟΙΗΣΗ:

- Να φοράτε ωτοασπίδες.
- Η εκπομπή θορύβου κατά τη χρήση του ηλεκτρικού εργαλείου σε πραγματικές συνθήκες μπορεί να διαφέρει από τη δηλωμένη τιμή(ές) ανάλογα με τους τρόπους χρήσης του εργαλείου, ιδιαίτερα το είδος του τεμαχίου εργασίας που υπόκειται επεξεργασία.

- Φροντίστε να λάβετε τα κατάλληλα μέτρα προστασίας του χειριστή βάσει ενός υπολογισμού της έκθεσης σε πραγματικές συνθήκες χρήσης (λαμβάνοντας υπόψη όλες τις συνιστώσες του κύκλου λειτουργίας όπως τους χρόνους που το εργαλείο είναι εκτός λειτουργίας και όταν βρίσκεται σε αδρανή λειτουργία πέραν του χρόνου ενεργοποίησης).

ENG900-1

Κραδασμός

Η ολική τιμή δόνησης (άθροισμα τρι-αξονικού διανύσματος) καθορίζεται σύμφωνα με το EN62841-2-2:

Μοντέλο DTW250

Είδος εργασίας: Κρουστικό σφίξιμο μπουλονιών με μέγιστη ικανότητα εργαλείου
Εκπομπή δόνησης (a_h): 14,5 m/s²
Αβεβαιότητα (K): 1,5 m/s²

Μοντέλο DTW251

Είδος εργασίας: Κρουστικό σφίξιμο μπουλονιών με μέγιστη ικανότητα εργαλείου
Εκπομπή δόνησης (a_h): 11,0 m/s²
Αβεβαιότητα (K): 1,5 m/s²

ENG901-2

ΠΑΡΑΤΗΡΗΣΗ:

- Η δηλωμένη τιμή(ές) συνολικών κραδασμών έχει μετρηθεί σύμφωνα με την πρότυπη μέθοδο δοκιμής και μπορεί να χρησιμοποιηθεί για τη σύγκριση ενός εργαλείου με κάποιο άλλο.
- Η δηλωμένη τιμή(ές) συνολικών κραδασμών μπορεί να χρησιμοποιηθεί και στην προκαταρκτική αξιολόγηση της έκθεσης.

ΠΡΟΕΙΔΟΠΟΙΗΣΗ:

- Η εκπομπή κραδασμών κατά τη χρήση του ηλεκτρικού εργαλείου σε πραγματικές συνθήκες μπορεί να διαφέρει από τη δηλωμένη τιμή(ές) εκπομπής ανάλογα με τους τρόπους χρήσης του εργαλείου, ιδιαίτερα το είδος του τεμαχίου εργασίας που υπόκειται επεξεργασία.
- Φροντίστε να λάβετε τα κατάλληλα μέτρα προστασίας του χειριστή βάσει ενός υπολογισμού της έκθεσης σε πραγματικές συνθήκες χρήσης (λαμβάνοντας υπόψη όλες τις συνιστώσες του κύκλου λειτουργίας όπως τους χρόνους που το εργαλείο είναι εκτός λειτουργίας και όταν βρίσκεται σε αδρανή λειτουργία πέραν του χρόνου ενεργοποίησης).

ΔΗΛΩΣΗ ΣΥΜΜΟΡΦΩΣΗΣ ΕΚ

Για τις ευρωπαϊκές χώρες μόνο

Η δήλωση συμμόρφωσης ΕΚ περιλαμβάνεται ως Παράρτημα Α σε αυτό το εγχειρίδιο οδηγιών.

Makita Europe N.V. Jan-Baptist Vinkstraat 2,
3070 Kortenberg, Belgium

Makita Corporation 3-11-8, Sumiyoshi-cho,
Anjo, Aichi 446-8502 Japan