

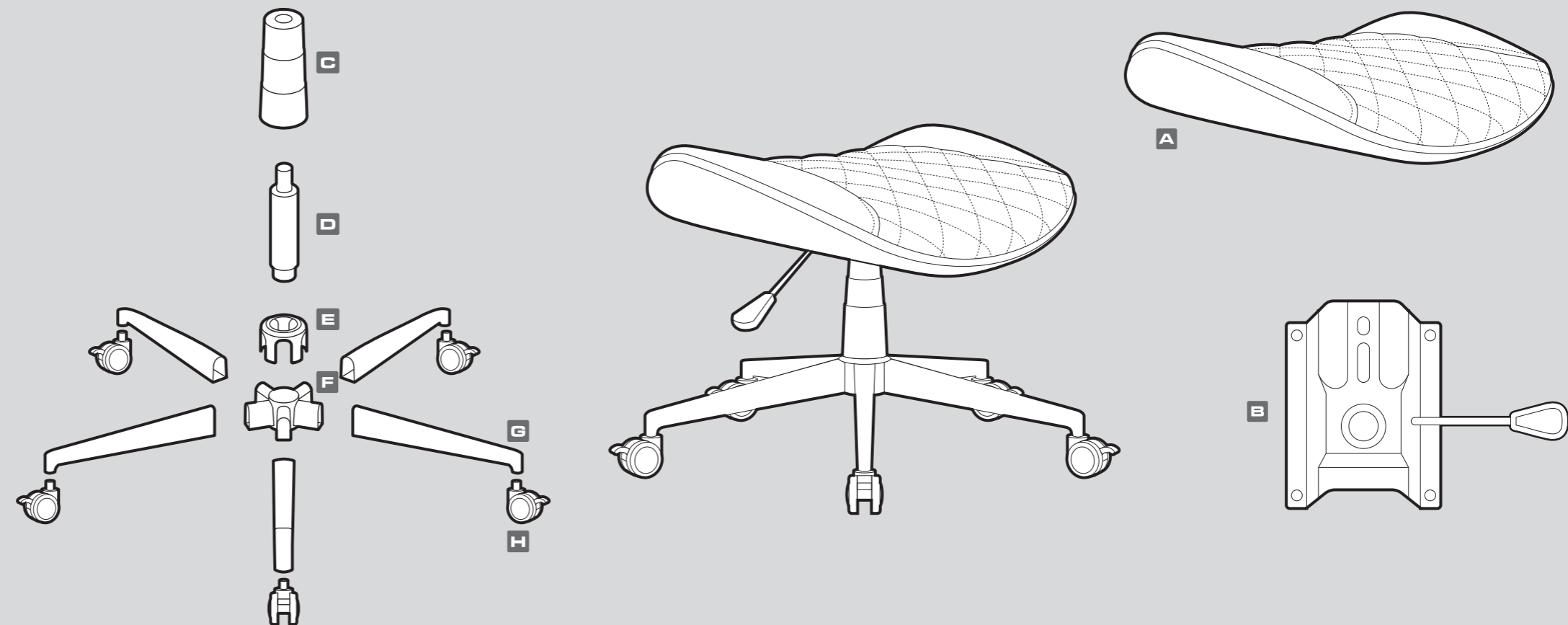


# CROSSER

## MULTIUSE GAMING STOOL

### ASSEMBLY DRAWING

#### 部件图示, 部件圖示



The Crosser Multiuse Gaming Stool features a distinctive design, fine craftsmanship and enduring style. Its multifunctionality allows for a 360° swivel, adjustable height, and comfortable seating. Whether used as a main seat to save space in smaller environments or as a footstool, it meets diverse situational needs with ease.

Crosser电竞多用途椅凳独特个性化的设计、工艺精致、经典耐看、令人印象深刻、多功能的用途、360°旋转、高度可调、乘坐舒适、可当作椅子灵活运用有限空间、也可当作脚凳完全释放身体压力、超乎您的期待并且满足不同情境的使用需求!

Crosser電競多用途椅凳獨特個性化的設計、工藝精緻、經典耐看、令人印象深刻、多功能的用途、360°旋轉、高度可調、乘坐舒適、可當作椅子靈活運用有限空間、也可當作腳凳完全釋放身體壓力、超乎您的期待並且滿足不同情境的使用需求!

### FEATURES 产品特点, 產品特點

#### ENGLISH

- Footrest for relaxed posture
- Breathable PVC leather
- 360° Rotating
- Space efficient
- Gas lift height adjustment
- 5 Star metal base
- Locking Casters
- Weight limit : 120kg

#### ESPAÑOL

- Reposapiés para una postura relajada
- Cuero PVC transpirable
- Rotación de 360°
- Espacio eficiente
- Ajuste de altura del elevador de gas
- Base metálica de 5 estrellas
- Ruedas con bloqueo
- Límite de peso: 120 kg

#### DEUTSCH

- Fußstütze für entspannte Haltung
- Atmungsaktives PVC-Leder
- 360° drehbar
- Platzsparend
- Höhenverstellung per Gasdruckfeder
- 5-Sterne-Metallfuß
- Feststellbare Rollen
- Gewichtsbeschränkung: 120 kg

#### KOREAN

- 편안한 자세를 위한 발판
- 통기성 PVC 가죽
- 360° 회전
- 공간 효율성
- 가스 리프트 높이 조절
- 5성 메탈 베이스
- 잠금 바퀴
- 제품 제한 : 120kg

#### PORTUGUÊS

- Apoio para os pés para postura relaxada
- Couro PVC respirável
- Rotação de 360°
- Espaço eficiente
- Ajuste de altura do elevador a gás
- Base metálica 5 estrelas
- Rodízios de travamento
- Limite de peso: 120 kg

#### РУССКИЙ

- Подставка для ног для расслабленной позы
- Дышащая кожа ПВХ
- Вращение на 360°
- Экономия места
- Регулировка высоты газлифта
- 5 звезд металлическая основа
- Блокирующиеся ролики
- Ограничение по весу: 120 кг

#### FRANÇAIS

- Repose-pieds pour une posture détendue
- Cuir PVC respirant
- Rotation à 360 °
- Espace efficace
- Réglage de la hauteur par vérin à gaz
- Base en métal 5 étoiles
- Roulettes verrouillables
- Limite de poids : 120 kg

#### 日本語

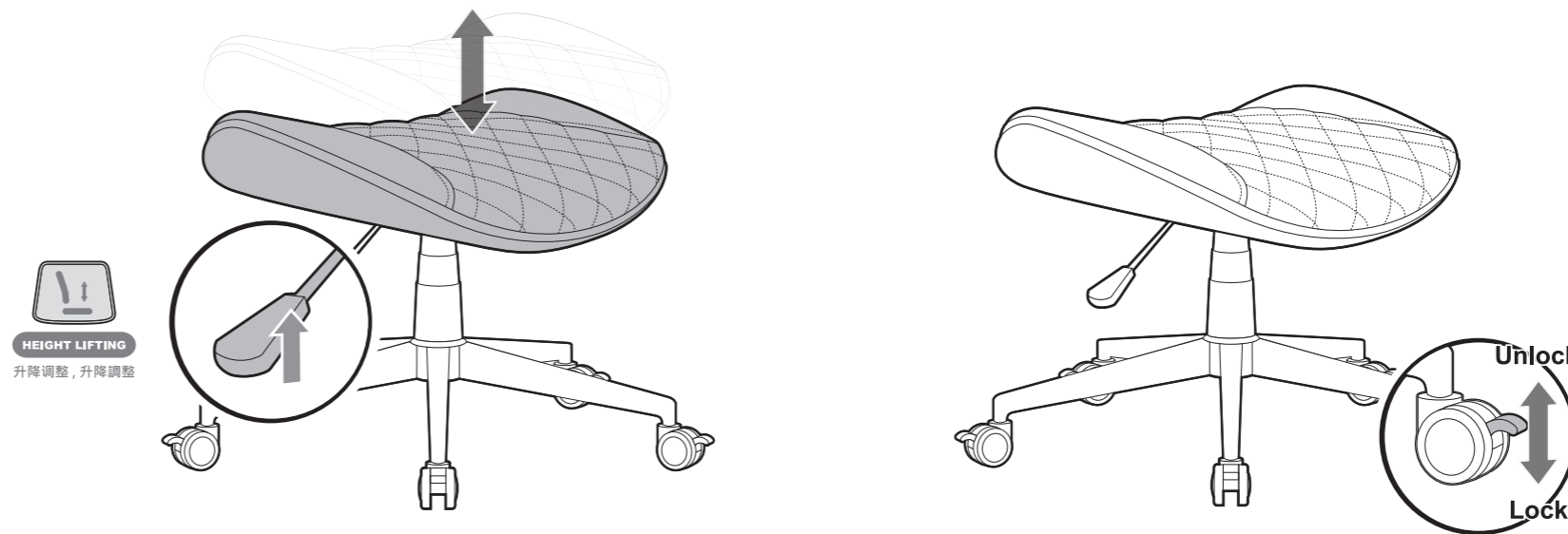
- リラックスした姿勢のためのフットレスト
- 通気性のあるPVCレザー
- 360回転
- 省スペース
- ガスリフト高さ調整
- 星5メタルベース
- ロック式キャスター
- 体重制限:120kg

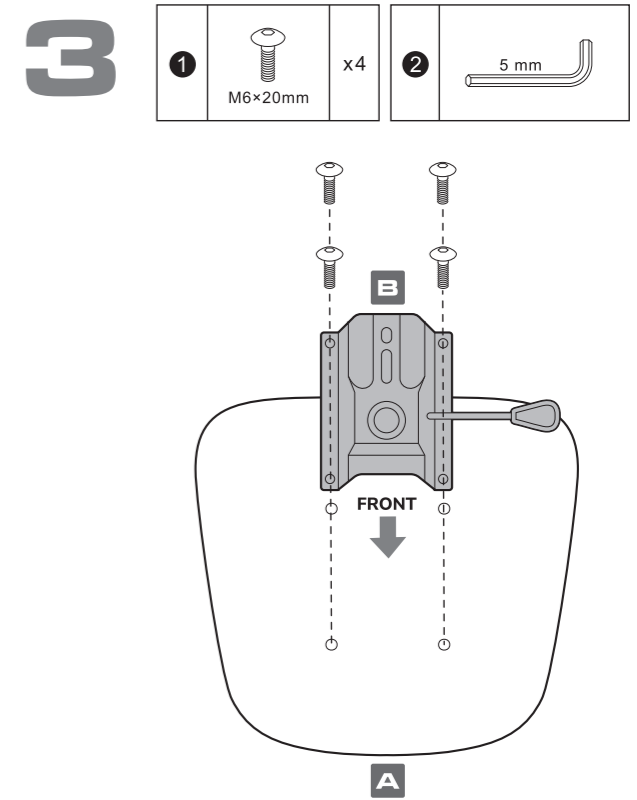
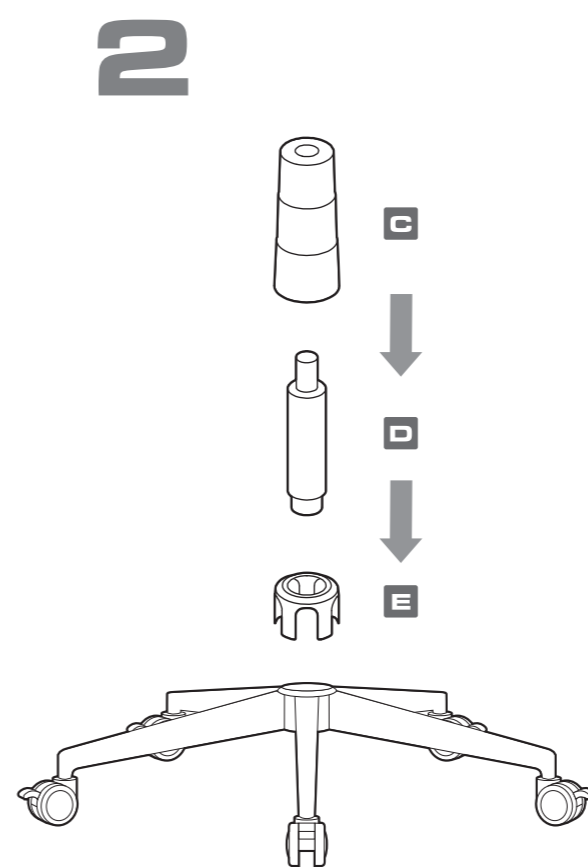
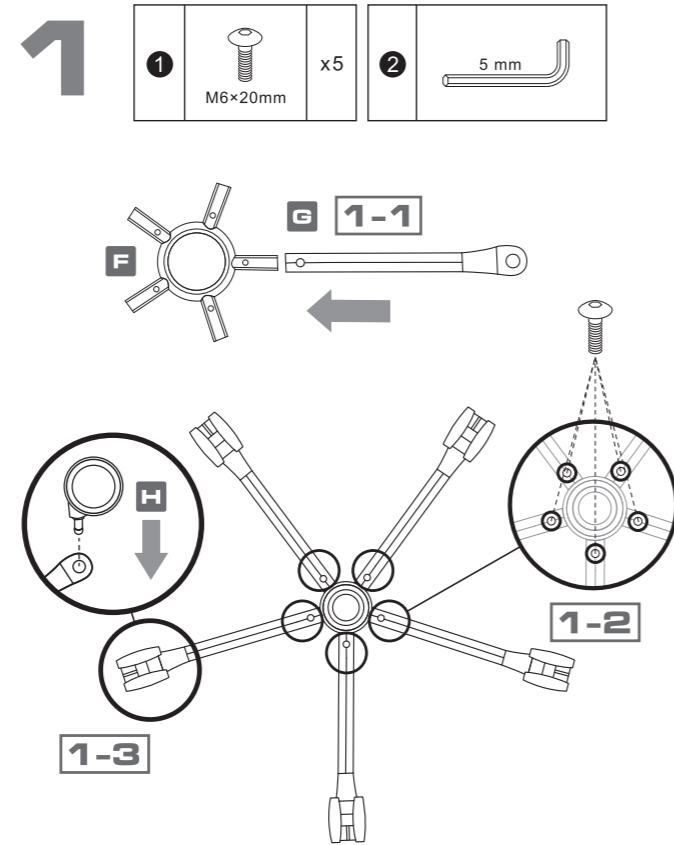
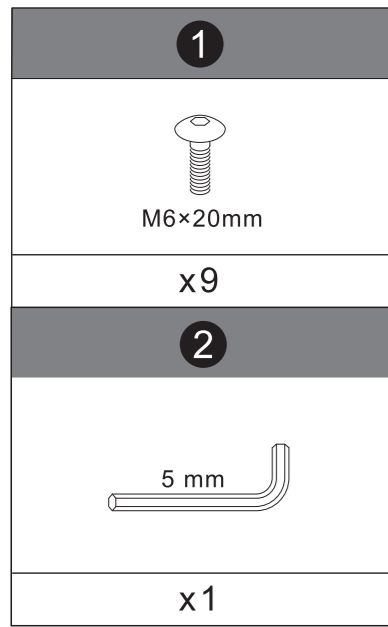
#### 簡中

- 擱腳完全釋放身體壓力
- 透氣PVC皮革
- 360°旋轉
- 多用途設計、靈活運用有限空間
- 椅座高低可調式設計
- 堅固耐用的金屬椅腳
- 鎖定式腳輪
- 最大可承重 120公斤

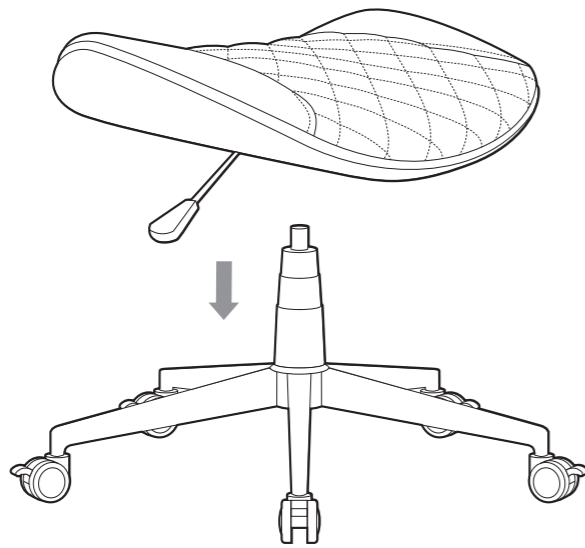
#### 繁中

- 擱腳完全釋放身體壓力
- 透氣PVC皮革
- 360°旋轉
- 多用途設計、靈活運用有限空間
- 椅座高低可調式設計
- 堅固耐用的金屬椅腳
- 鎖定式腳輪
- 最大可承重 120公斤

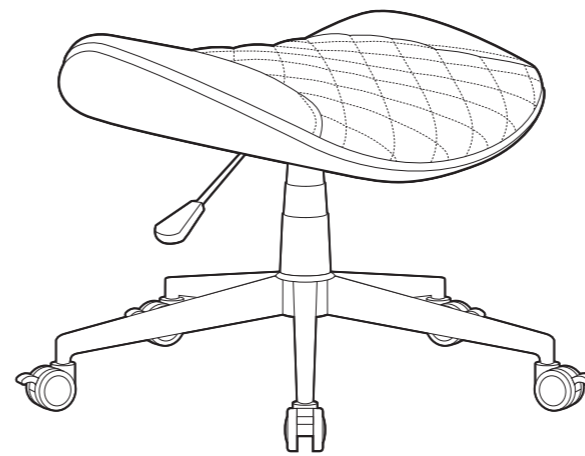




5



6



MANUFACTURER CONTACT

制造商联系方式, 製造商聯繫方式

**COUGAR** COUGAR USA Technical Service  
 Tel: (833) 256-3778  
[www.cougargaming.com](http://www.cougargaming.com) Mail:rma@compucaseusa.com



Official website

Compucase Enterprise Co.,Ltd.  
 All rights reserved. Made in China

Maximum stationary weight capacity 120kg. Please do not place any body or object above 120kg on this chair. From spaces in which it could get caught or be injured.

本产品最大承受重量120公斤。请勿将120公斤以上的物体放在椅子上。  
 本产品最大承受重量120公斤。請勿將120公斤以上的物體放在椅子上。

DISTRIBUTOR



GLOBAL WARRANTY POLICY

全球保固条款, 全球保固條款

WARRANTY PERIODS OF COUGAR GAMING DEVICES

Product : COUGAR CROSSER MULTIUSE Gaming Stool  
 Warranty : Please refer to our official website.  
 (https://cougargaming.com/us/support/warranty/)  
 保固政策: 中国地区购买, 请参考中国地区官方网站。  
 (http://cougargaming.com.cn/support/warranty/)



詳細保固條件  
 請掃描QR Code

This warranty gives you specific legal rights. You may also have other rights granted under local law. These rights may vary.

WARRANTY AGREEMENT

- If the product has defects in material or manufacture, COUGAR will provide product repair and replacement service within the warranty period.
- Our warranty service is based on the date of the invoice or warranty card.

CONDITIONS WHERE FREE MAINTENANCE IS NOT PROVIDED

- Any fault or damage caused by natural disasters (including storm, fire, flood, thunder, earthquake, etc).
- Any fault or damage caused by accidental factors and man-made reasons (including hit, scrape, crash, moving, compression, stain, corrosion, riot, misuse, malicious damage, etc).
- Use in an improper operating environment (including high temperature, high humidity, water inflow, etc).
- Inability to provide the product warranty card, purchase receipt or invoice to prove the product is still within the warranty period and the shipping date of the product is out of warranty.
- The warranty card has been altered or its number is hard to identify.
- The warranty period has expired.

- Any fault or damage caused by non-compliance with regulations stated on the user manual or improper, rough and careless treatment.
- COUGAR is not liable for any damage of life and limb or damage or loss of property caused by or during COUGAR products' use as or with medical equipment, military equipment, traffic equipment and disaster prevention systems.
- COUGAR's warranty liability is limited to repair or replacement. The decision on whether to repair or replace belongs exclusively to COUGAR.
- COUGAR is, to the extent not prohibited by law, not liable for any damages; expenses; lost data, revenues, savings or profits; or any incidental or consequential damages happened while the use of a defective product from COUGAR or due to its use.

DISCLAIMERS

- COUGAR products should not be used as critical components in life support devices.
- COUGAR is not liable for any damage of life and limb or damage or loss of property caused by or during COUGAR products' use as or with medical equipment, military equipment, traffic equipment and disaster prevention systems.
- COUGAR's warranty liability is limited to repair or replacement. The decision on whether to repair or replace belongs exclusively to COUGAR.

- COUGAR is, to the extent not prohibited by law, not liable for any damages; expenses; lost data, revenues, savings or profits; or any incidental or consequential damages happened while the use of a defective product from COUGAR or due to its use.

LEGAL NOTICES

This manual was created by Compucase Enterprise and may not be completely or partially copied, passed on, distributed or stored without written consent by Compucase Enterprise.  
 COUGAR® is a registered brand of Compucase Enterprise Other product and company names mentioned in this documentation may be brands or trademarks of their respective owners.  
 Compucase Enterprise reserves the right to make changes concerning the contents of the manual and the technical data of the product without previous announcement.

WARNING

- To adjust the chair height, gently pull the lever up. Do not use excessive force to pull the lever.
- Please wear protective gloves when assembling the chair. It is your own responsibility to use appropriate protection to prevent any physical damage.
- When rocking the chair, using it in any other way or adjusting the height, inclination, position or balance of the chair or any of its components, please pay attention to your hand's position and keep it away from spaces in which it could get caught or be injured.
- Do not make fast or violent movements when the chair is in movement.
- Do not touch any of the chair's adjustment controls to prevent affecting its stability and causing a potentially dangerous fall.
- When reclining the chair to its full extent, set the related control level in lock position and keep both feet on the ground, as well as abstain from any violent, rough or strong movement which could cause the chair to tip over.
- Keep in mind that this chair is designed only for sitting and reclining, and that it should be used only for those uses.
- Do not sit on the edge of the chair or the arm rests.
- Do not place the chair in a location in which it is likely to be subjected to prolonged sunlight exposure.
- The product's colors might fade when exposed to sunlight.
- Do not use abrasive products or scrub energetically when cleaning. Please stick to gentle products suitable for delicate materials.
- All parts should be checked monthly to confirm their integrity and to make sure that the screws are not loose.
- If any part of the product is or appears to be damaged, missing or loose, please contact the local distributor and do not use the product.

**ДАТА ИЗГОТОВЛЕНИЯ ПРОДУКЦИИ**  
 год и месяц изготовления продукции указаны в серийном номере продукта. (существует 2 способа определения даты изготовления, оба способа описаны ниже)

**A** После S/N: первые две цифры означают год, вторые две – месяц изготовления. Например, S/N: H1702000001 означает, что товар был произведен в феврале 2017 года.

**B** После S/N: если указаны буквы, то две буквы представляют цифры из таблицы ниже, и означают год, следующие две цифры – месяц изготовления. Например, S/N: DAG02REV1000001 означает, что товар был произведен в феврале 2017 года.

A	B	C	D	E	F	G	H	I	J
1	2	3	4	5	6	7	8	9	0

• Например, AG = 17 = 2017 год

