












Dive into your next dimension

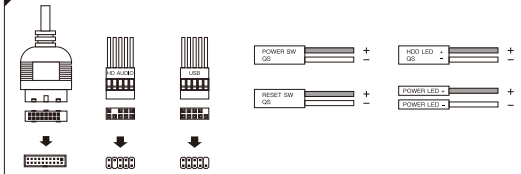
# AURORAX 50

Instructions manual

## A Package details

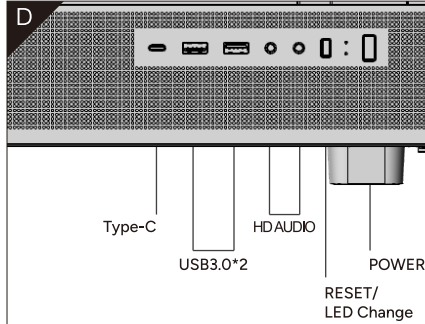
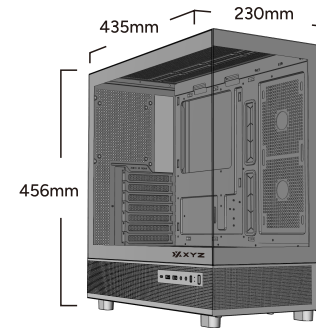
 x19	 x6	 x8
 x3	 x1	 x5
 x12	 x2	 x1

## B Schematic diagram of wire interface



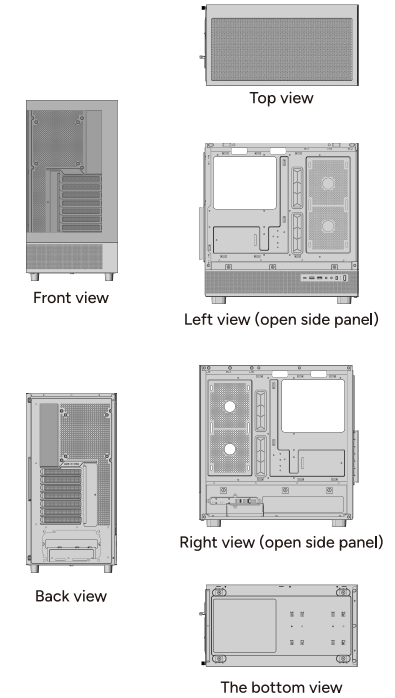
Please refer to the manual that came with your motherboard for any specific connection instructions

## C Product size

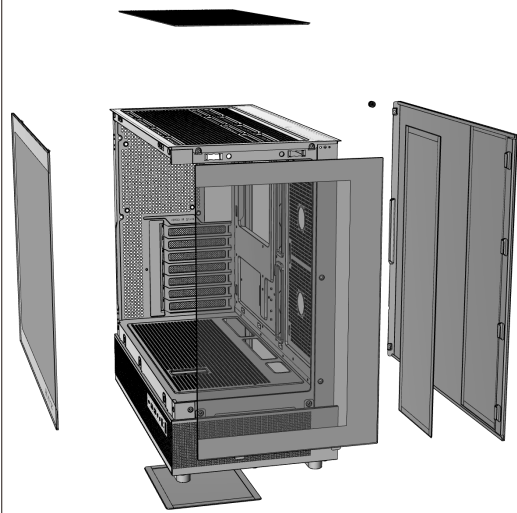


## IO panel introduction

## E Machine overview



## F Chassis disassembly diagram

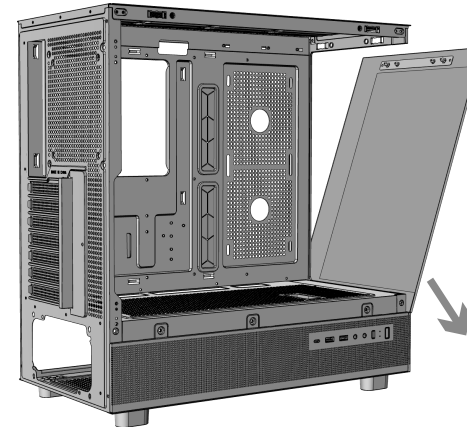


## G Remove and install side panels



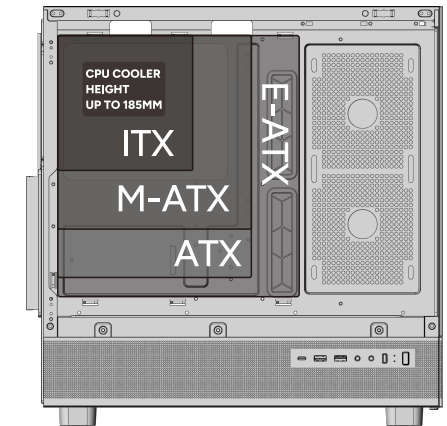
The side glass panel opens using clips (without screws). To remove the iron side plate, unscrew the two screws at the rear.

## H Panel disassembly



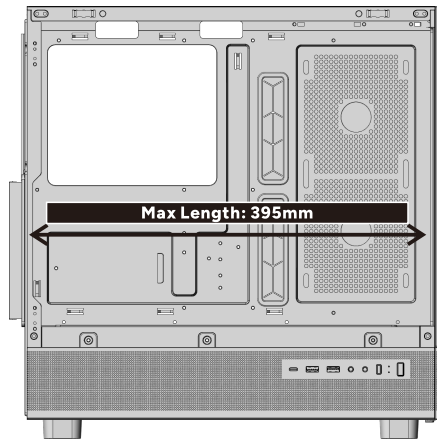
The way of Front glass panel opens is by Clip (without screws).

## I Motherboard installation

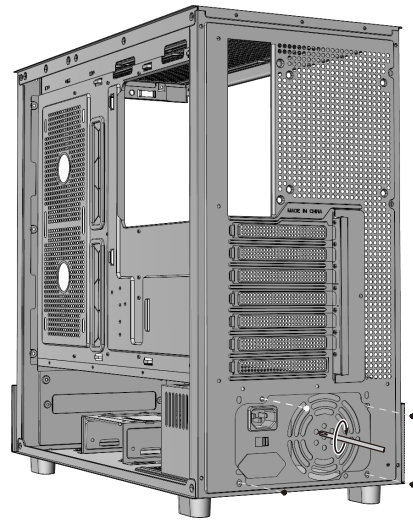


According to the motherboard type(E-ATX/ATX/M-ATX/ITX), the copper pillars may need to be re-arranged manually according to the fixing locations specific to your motherboard CPU Cooler Height limit: 185mm

**J** The graphics card installation

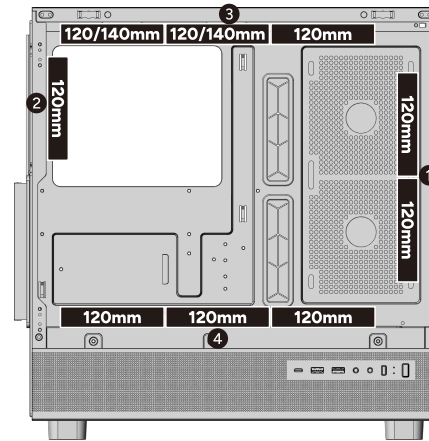


**K** The power supply installation



The power supply can be fixed by aligning the screw in the figure to the hole position  
 Note: different types of power supply, hole location may be slightly different, take the actual object as the standard

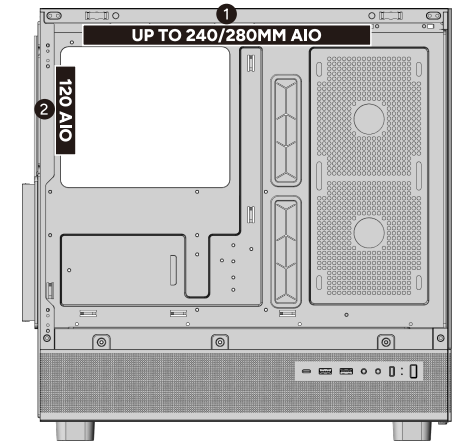
**L** Fan installation



**Fan compatibility**

- ① MB tray: 2 x 120mm (Pre-installed)
- ② Rear: 1 x 120mm (Pre-installed)
- ③ Top: 3 x 120/2 x 140mm
- ④ PSU cover: 3 x 120mm

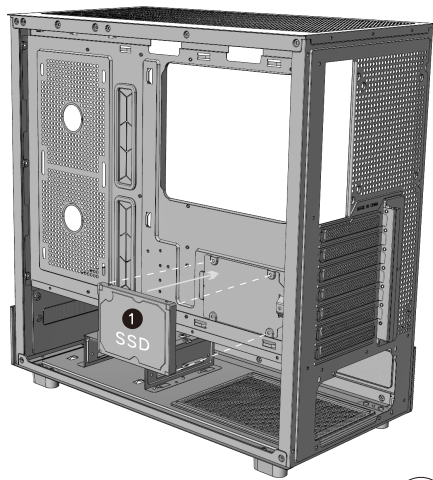
**M** Water cooling installation



**Radiator Support**

- ① Top: 360mm
- ② Rear: 120mm

**N** SSD installation

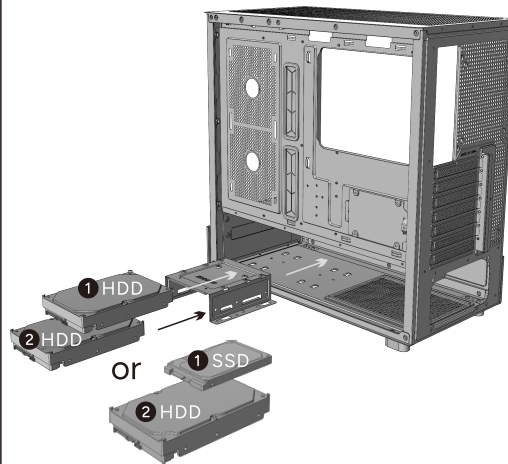


1\*SSD



Align the SSD holes and fix them with screws.

**O** SSD/HDD Installation



2\*HDD or 1\*HDD + 1\*SSD



Align the hard disk holes and fix them with HDD screws.



Find out more about us at  
[www.xyzpcgear.com](http://www.xyzpcgear.com)