



# **MAG Series**

## **Power Supply Unit**

MAG A1200PLS PCIE5

MAG A1000PLS PCIE5

User Guide

# Contents

Specifications .....	3
MAG A1200PLS PCIE5.....	3
MAG A1000PLS PCIE5.....	3
Dimensions.....	4
Number of Power Connectors.....	5
Detachable Connectors.....	6
Connectivity and Cable Lengths .....	7
Protection Features .....	9
Fan Safeguard .....	9
GPU Safeguard .....	9
12V-2x6 Cable Installation.....	10
Regulatory Notices.....	11

# Specifications

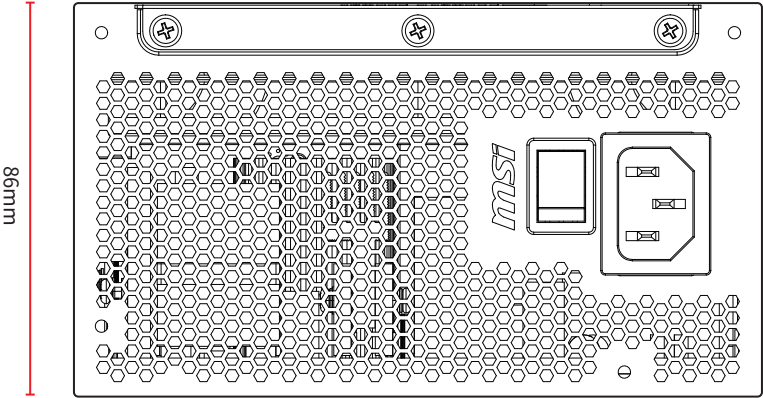
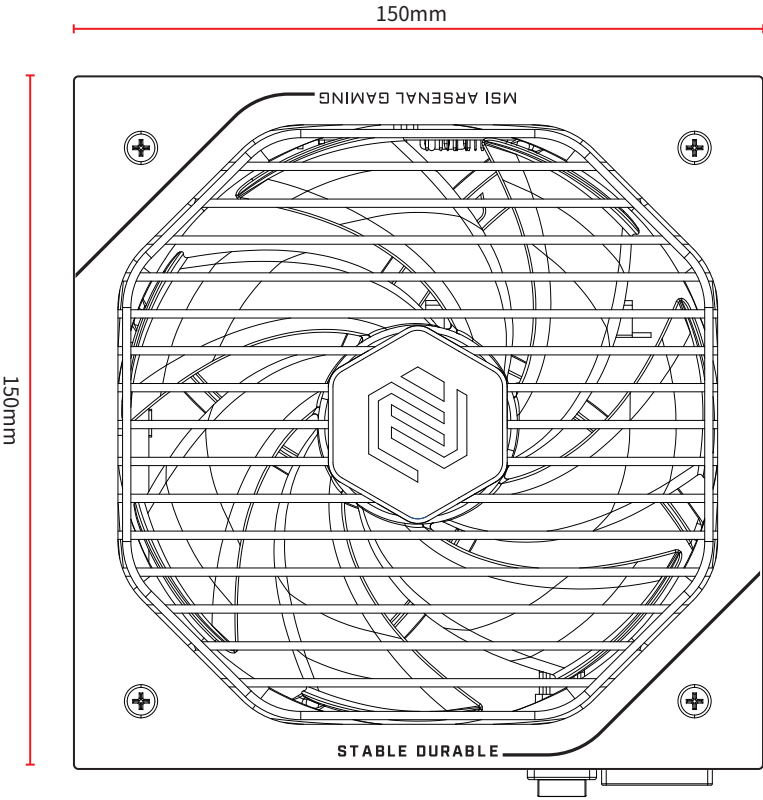
## MAG A1200PLS PCIE5

AC Input	100-240V~, 15.0A, 50-60Hz Not for China 200-240V~, 7.0A, 50-60Hz For China / For High-voltage use and India			
DC Output	+5V	+3.3V	+12V	+5Vsb
	20.0A	20.0A	100A	3.0A
Total Power	100W		1200W	15W
	1200W			

## MAG A1000PLS PCIE5

AC Input	100-240V~, 15.0A, 50-60Hz Not for China 200-240V~, 7.0A, 50-60Hz For China / For High-voltage use and India			
DC Output	+5V	+3.3V	+12V	+5Vsb
	20.0A	20.0A	83.3A	3.0A
Total Power	100W		999.6W	15W
	1000W			

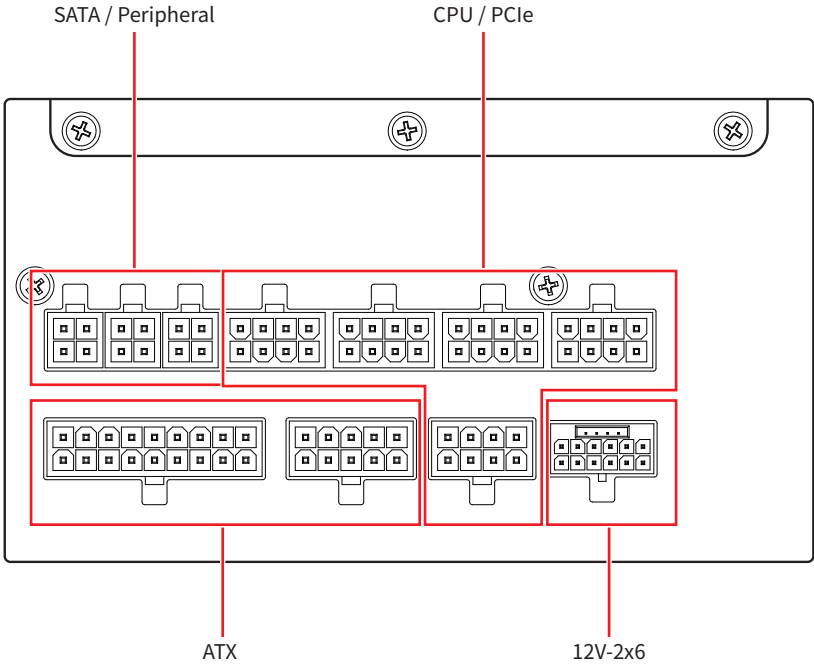
# Dimensions



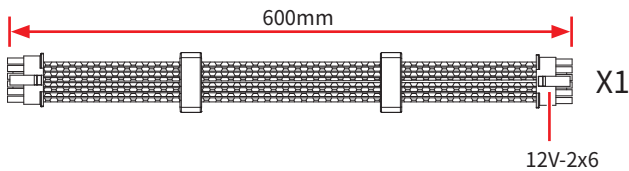
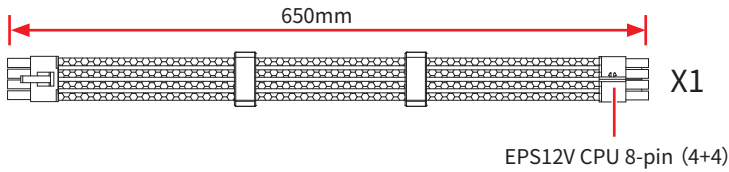
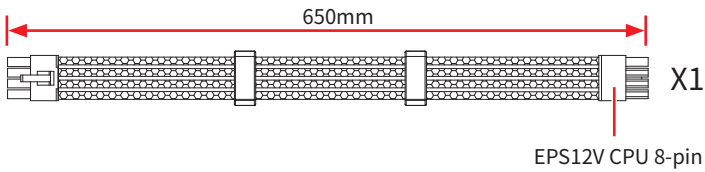
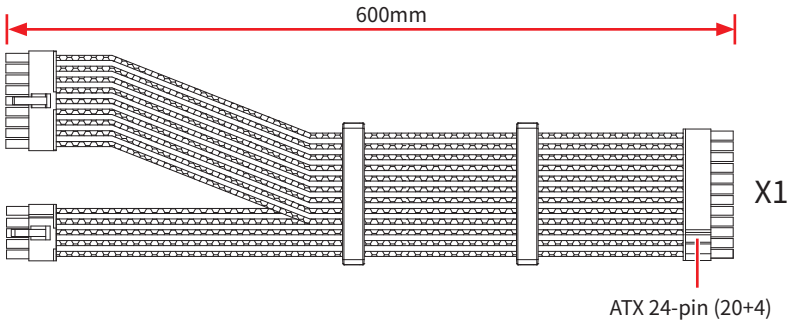
# Number of Power Connectors

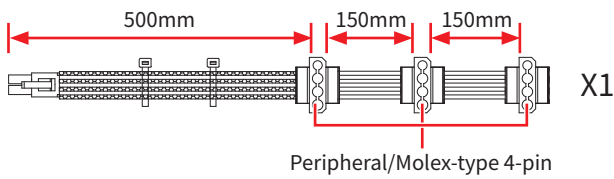
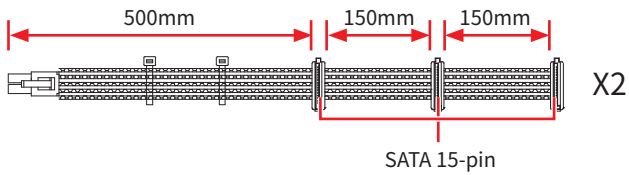
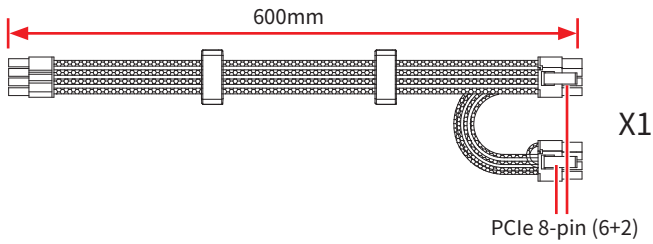
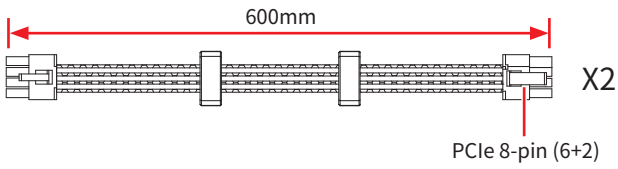
Power Connectors	MAG A1200PLS PCIE5	MAG A1000PLS PCIE5
ATX 24-pin (20+4)	1	1
EPS12V CPU 8-pin	1	1
EPS12V CPU 8-pin (4+4)	1	1
12V-2x6	1	1
PCIe 8-pin (6+2)	4	4
SATA 15-pin	6	6
Peripheral/Molex-type 4-pin	3	3

# Detachable Connectors



# Connectivity and Cable Lengths





# Protection Features

This section details the advanced hardware protection mechanisms built into this PSU to ensure system safety and prevent hardware damage.



## **Important**

*For more information, please visit the MSI official website.*

## Fan Safeguard

To prevent the power supply from overheating due to cooling failure, the system features intelligent fan monitoring.

- **Trigger Condition:** Activated if the fan fails to spin when operation is required.
- **Warning Signal:** The buzzer will emit a continuous long beep.
- **System Action:** After 10 seconds of the warning alert, the PSU will automatically shut down to protect internal components.



## **WARNING**

- *If this protection is triggered, please visually inspect the fan through the ventilation grille to check for any foreign objects obstructing it. Remove the obstruction and restart the system.*
- *Do not open the PSU casing to check the fan. Opening the casing will void the warranty.*

## GPU Safeguard

This PSU is equipped with advanced current monitoring technology specifically for the 12V-2x6 connector to ensure safe power delivery to high-end graphics cards.

- **Trigger Condition:** Activated if the current on the 12V-2x6 connector exceeds the safety threshold (potential indication of poor contact or abnormal resistance).
- **Warning Signal:** The buzzer will emit a warning alert for 180 seconds.



## **WARNING**

*Please check the 12V-2x6 connection now and save your important data immediately.*

- **System Action:** Following the alert, the system will cut the display signal (resulting in a black screen) to prevent connector overheating or damaging.



## **WARNING**

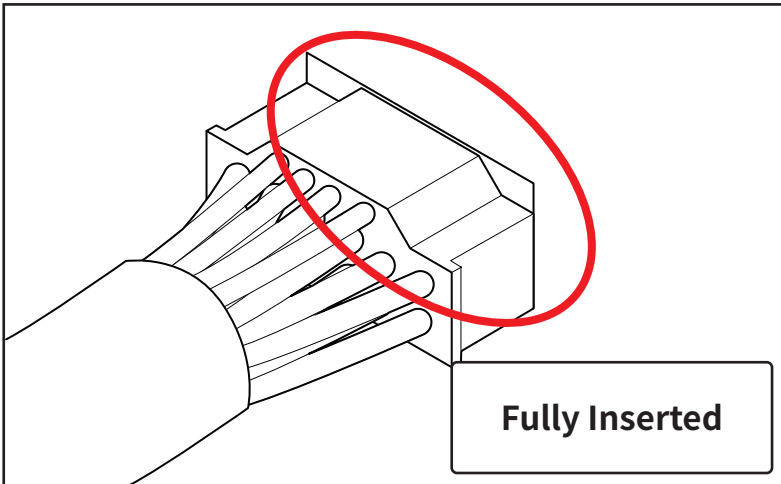
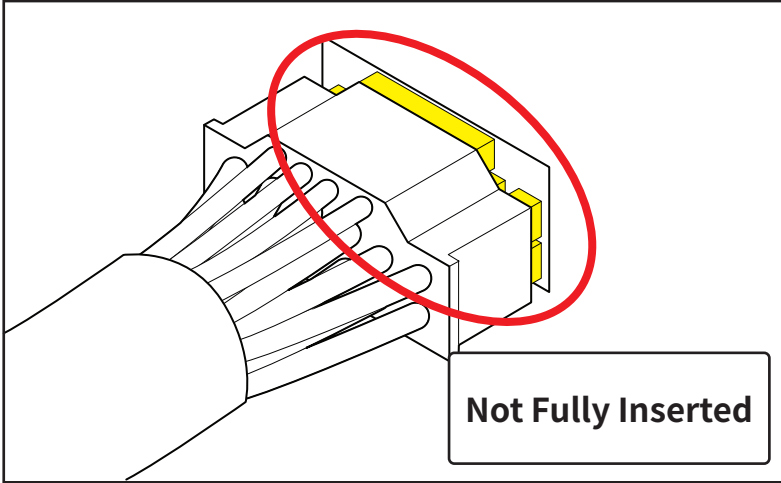
*If the GPU Safeguard alert is triggered:*

- *Immediately turn off the PSU power switch and unplug the power cord.*
- *Inspect the 12V-2x6 cable connection at both the GPU and PSU ends.*
- *Ensure the connector is fully seated and the cable is not severely bent.*

# 12V-2x6 Cable Installation

 **CAUTION**

*Please fully insert the cable before use.*



# Regulatory Notices

## Model Number

Model No.: MS-7ZPNX, MS-7ZPNY